

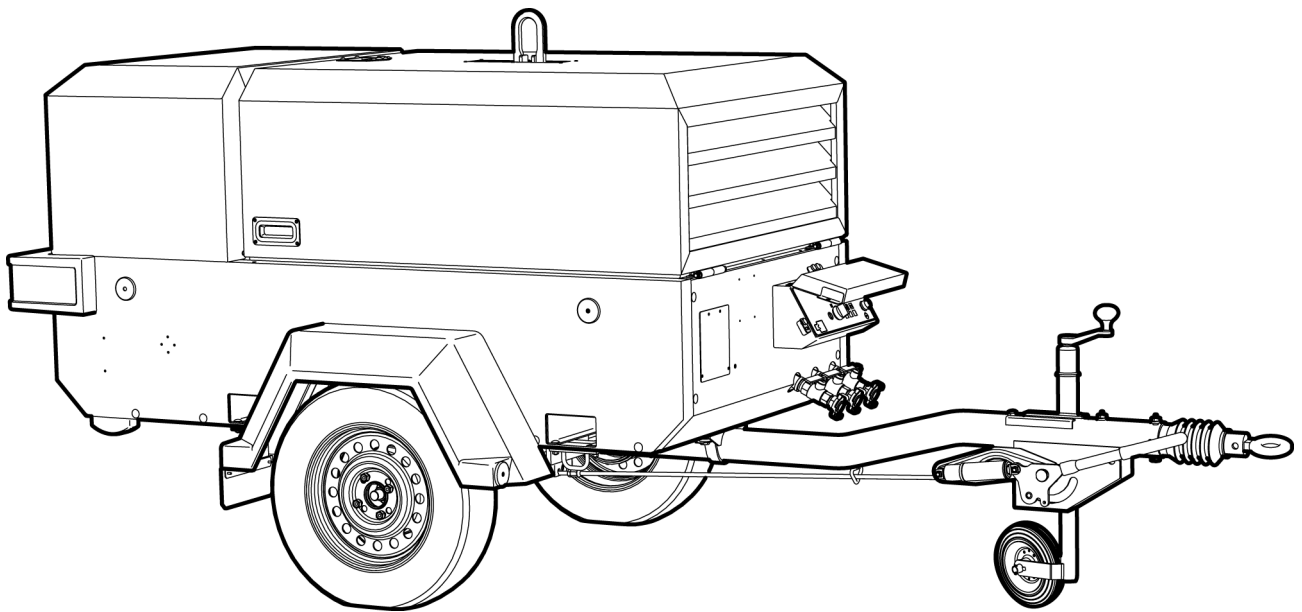


## Portable Power

**7/53**

**PARTS MANUAL**

**SERIAL No : 444800 - 449999**





**Portable Power**

# CONTENTS

## RUNNING GEAR

RUNNING GEAR - (Fixed Height Braked) .....	3
RUNNING GEAR - (Variable Height Braked) .....	7

## MAIN FRAME

MAIN FRAME .....	11
ENCLOSURE .....	13
DECALS AND DOCUMENTATION .....	19
DECALS AND DOCUMENTATION .....	21
DECALS AND DOCUMENTATION .....	23

## CONTROL AND ELECTRICAL SYSTEM

INSTRUMENTATION / ELECTRICAL SYSTEM .....	25
---	----

## AIR END

AIREND ASSEMBLY .....	29
AIREND ASSEMBLY - (unloader) .....	31
AIR INTAKE - (airend) .....	33
SEPARATOR TANK .....	35
OIL PIPING .....	37
AIR PIPING .....	39
REGULATION SYSTEM .....	41

## POWER UNIT

ENGINE ASSEMBLY .....	45
AIR INTAKE - (engine) .....	47
EXHAUST SYSTEM .....	49
ROCKER COVER .....	51
AIR INTAKE MANIFOLD .....	53
EXHAUST MANIFOLD .....	55
TURBOCHARGER .....	57
LUBE OIL SYSTEM .....	59
LUBE OIL PIPE - (turbo) .....	61
COOLING WATER SYSTEM .....	63
FUEL INJECTION PUMP .....	65
GOVERNOR .....	67
FUEL INJECTION VALVE .....	69
FUEL FILTER .....	71
STARTER MOTOR .....	73
ALTERNATOR .....	75
GASKET SET .....	77
COOLING SYSTEM - (cooler and guards) .....	79
FUEL SYSTEM .....	83

## ACCESSORIES & OPTIONS

OPTION - ROAD LIGHTS - LIGHTING ASSEMBLY - (CE regulated countries) .....	87
OPTION - ROAD LIGHTS - LIGHTING ASSEMBLY - (non regulated countries only) .....	89
OPTION - ROAD LIGHTS - DRIVING LIGHTS PROTECTION .....	91
OPTION - LIGHTING PLUG ADAPTOR - (13 pins to 7 pins) .....	93
OPTION - LIGHTING PLUG ADAPTOR - (7 pins to 13 pins) .....	95
OPTION - SPARK ARRESTOR .....	97

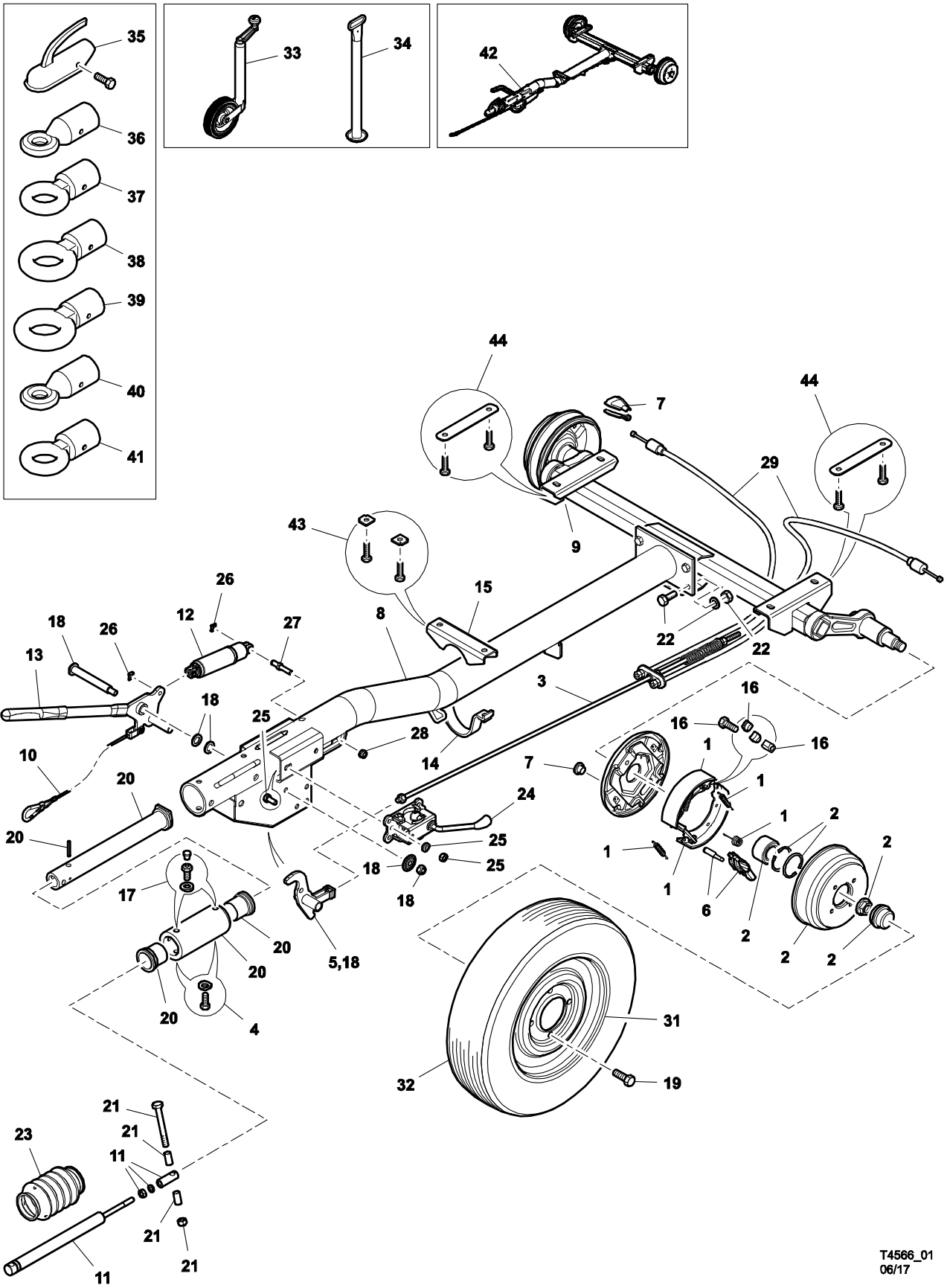
OPTION - OVERSPEED VALVE .....	99
OPTION - WHEEL NUT INDICATORS .....	101
OPTION - TOOLBOX .....	103
OPTION - AFTERCOOLER .....	105
OPTION - AFTERCOOLER WITH FILTERS .....	109
OPTION - LUBRICATOR .....	113
OPTION - BUNDED BASE - (includes central drains) .....	115
OPTION - CENTRAL DRAINS .....	117
OPTION - GENERATOR - (400V) .....	119
OPTION - GENERATOR - (400V) .....	123
OPTION - GENERATOR - (110V) .....	127
OPTION - GENERATOR - (110V) .....	131
OPTION - ENCLOSURE - (high ambient) .....	135
OPTION - SAFETY CHAINS .....	137
OPTION - TRUCK MOUNT .....	139
OPTION - PERMANENT MOUNT .....	141
OPTION - SHIPPING SKID .....	143
OPTION - HOSE REEL .....	145
OPTION - BATTERY DISCONNECT .....	147
OPTION - EMERGENCY STOP BUTTON .....	149
OPTION - ANTI-THEFT CHAIN .....	151

## **MAINTENANCE ITEMS**

MAINTENANCE KIT - (500 hours) .....	153
MAINTENANCE KIT - (1000 hours) .....	155
RECOMMENDED SPARES .....	157
RECOMMENDED SPARES .....	161
FLUIDS .....	163
AIR DELIVERY HOSE .....	165
AIR HOSE FITTINGS .....	167
SERVICE TOOLS .....	169
CONNECTOR REPAIR KITS .....	173

**7/53\_46673722\_C\_06/17**

# RUNNING GEAR (Fixed Height Braked)

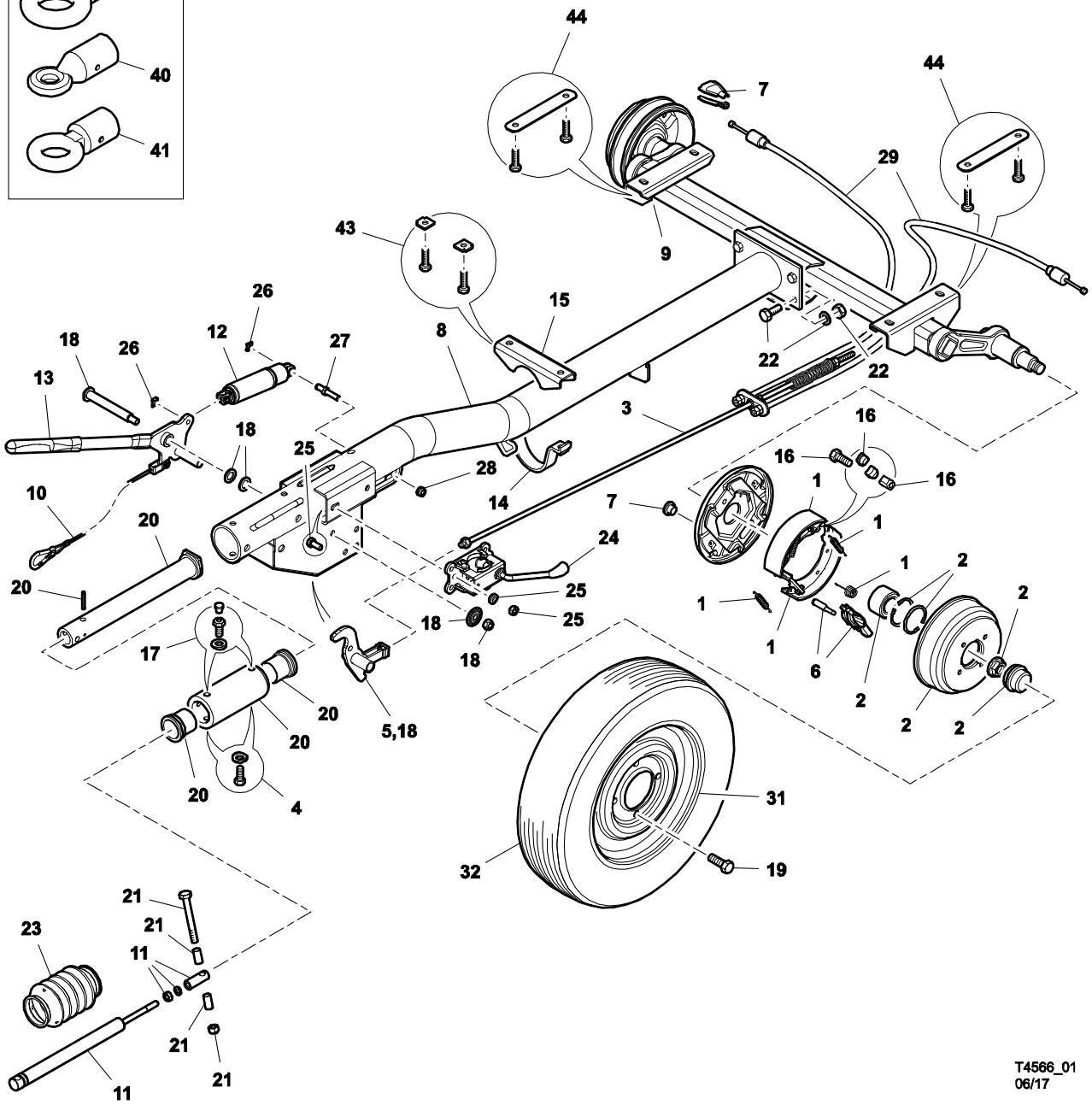
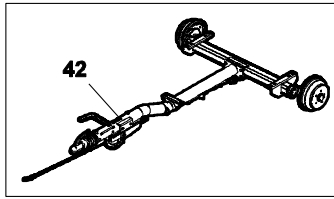
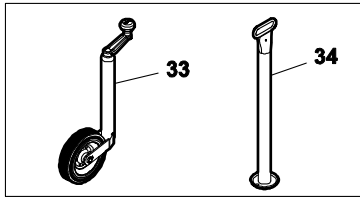
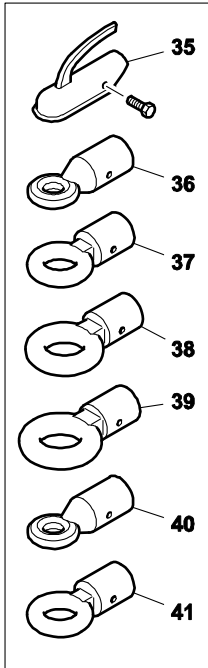


T4566\_01  
06/17

**RUNNING GEAR  
(Fixed Height Braked)**

Item	Part Number	Description	Remarks	Serial Number	Qty
1	80029226	KIT, BRAKE SHOE	(order one per machine)		1
2	22312433	DRUM ASSEMBLY COMPLETE	(order two per machine)		2
3	46687880	ROD, BRAKE			1
4	80029267	KIT, CONNECTING			2
5	46676995	LEVER ASSEMBLY			1
6	80029218	KIT, EXPANDING KEY	(order one per machine)		1
7	46656681	CABLE COVER ASSEMBLY	(order two per machine)		2
8	46677505	DRAWBAR			1
8	22105043	DRAWBAR ASSEMBLY COMPLETE			1
9	46664393	AXLE ASSEMBLY COMPLETE			1
10	22051841	CABLE			1
11	46517827	KIT, DAMPER			1
12	46517454	PISTON			1
13	22051833	LEVER, HANDBRAKE	W/Ref. 10		1
14	22051908	CLAMP			1
15	22066773	PAD			1
16	80029234	KIT, ADJUSTER WEDGE	(order two per machine)		2
17	80029275	KIT, CONNECTING			2
18	46676996	KIT, LEVER COMPLETE			1
19	46656688	KIT, CONNECTING	(order one per machine)		1
20	46657006	KIT, SLIDER			1
21	80029259	KIT, CONNECTING			1
22	80029077	KIT, CONNECTING			1
23	22051510	COVER			1
24	22067003	CLAMP ASSEMBLY			1
25	80029069	KIT, CONNECTING			1
26	46517447	CLIP, RETAINING			2
27	46677005	PIN			1
28	22392260	NUT			1
29	46550963	CABLE			2
30	54737408	WHEEL AND TYRE ASSEMBLY	W/Ref. 31,32		2

# RUNNING GEAR (CONT'D) (Fixed Height Braked)

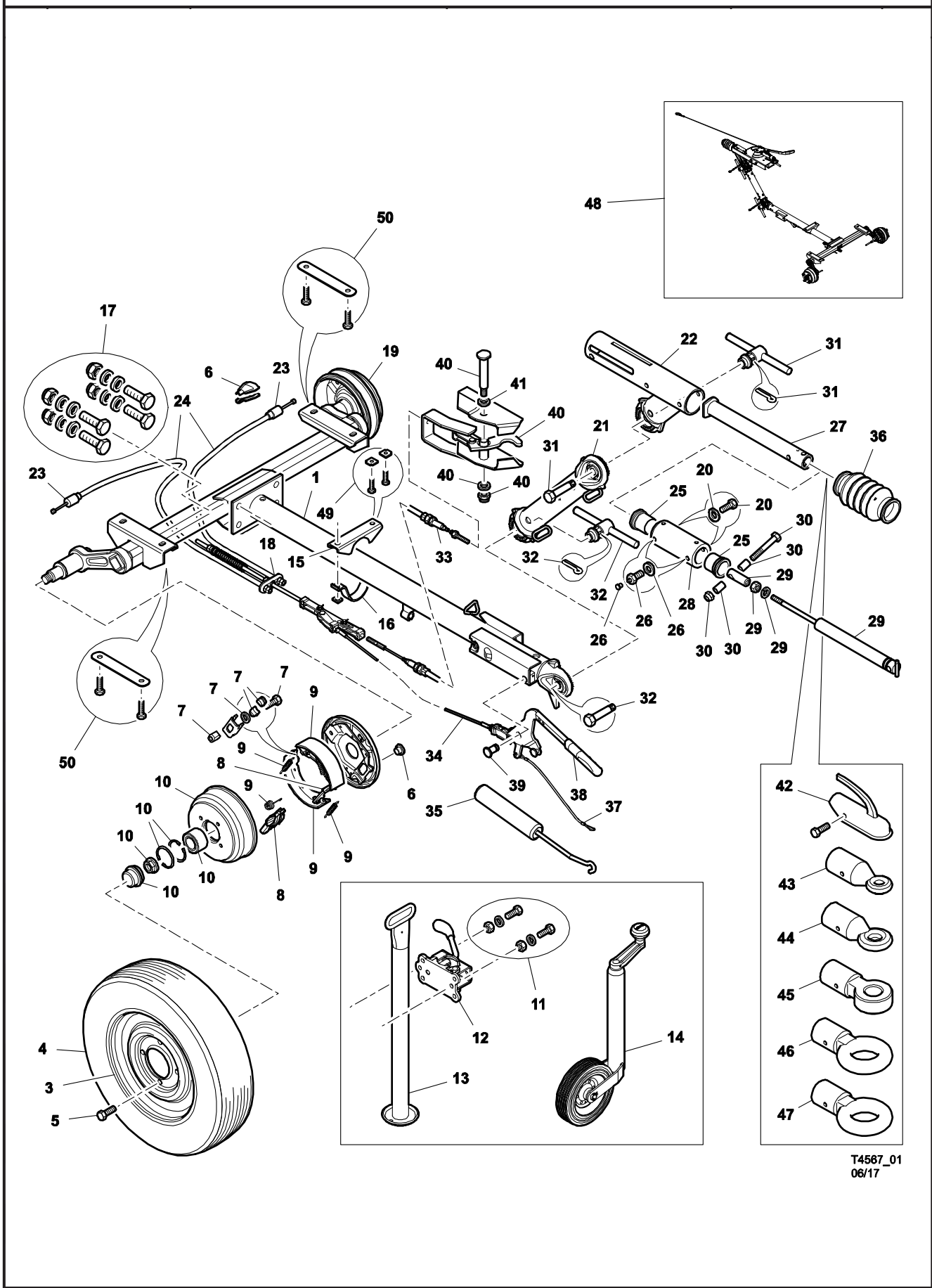


T4566\_01  
06/17





# RUNNING GEAR (Variable Height Braked)

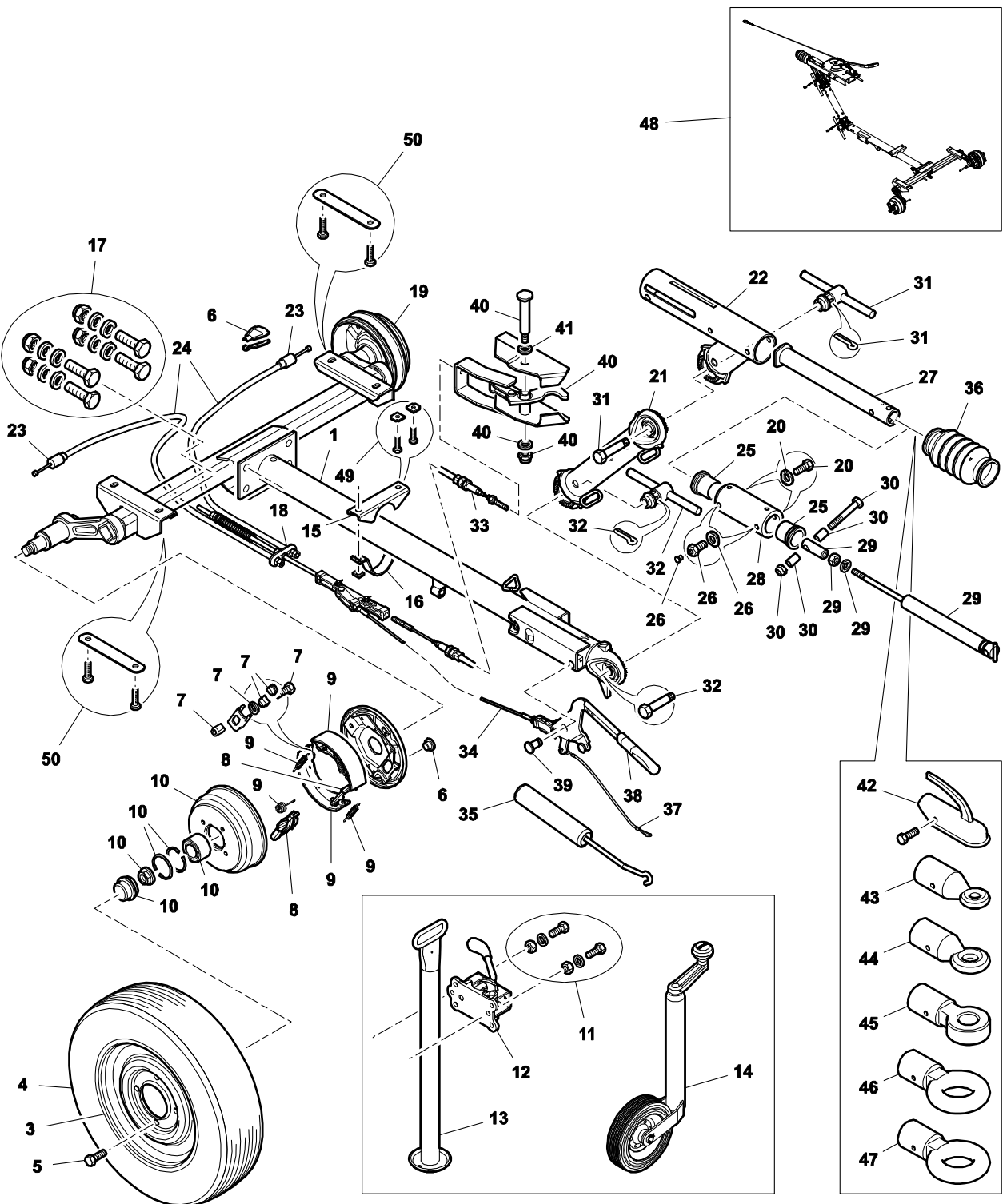


T4587\_01  
06/17

**RUNNING GEAR  
(Variable Height Braked)**

Item	Part Number	Description	Remarks	Serial Number	Qty
1	46693167	DRAWBAR			1
1	46693166	DRAWBAR ASSEMBLY COMPLETE			1
2	54737408	WHEEL AND TYRE ASSEMBLY	W/Ref. 3-4		2
3	22066971	WHEEL			2
4	22066989	TYRE			2
5	46656688	KIT, CONNECTING	(order one per machine)		1
6	46656681	CABLE COVER ASSEMBLY	(order two per machine)		2
7	80029234	KIT, ADJUSTER WEDGE	(order two per machine)		2
8	80029218	KIT, EXPANDING KEY	(order one per machine)		2
9	80029226	KIT, BRAKE SHOE	(order one per machine)		1
10	22312433	DRUM ASSEMBLY COMPLETE	(order two per machine)		2
11	80029069	KIT, CONNECTING			1
12	22067003	CLAMP ASSEMBLY			1
13	92762962	PROPSTAND			1
14	22053763	JOCKEY WHEEL ASSEMBLY			1
15	22241442	CLAMP			1
16	46677007	CLAMP			1
17	80029077	KIT, CONNECTING			1
18	46693165	BRAKE ROD ASSEMBLY			1
19	46664393	AXLE ASSEMBLY COMPLETE			1
20	80029267	KIT, CONNECTING			2
21	22104863	LINK, ADJUSTABLE			1
22	22066906	HOUSING			1
23	22051270	SLEEVE			2
24	46550963	CABLE			2
25	22051536	GUIDE			2
26	80029275	KIT, CONNECTING			2
27	22051411	SLIDER			1
28	46657006	KIT, SLIDER			1
29	46517827	KIT, DAMPER			1
30	80029259	KIT, CONNECTING			1

# RUNNING GEAR (CONT'D) (Variable Height Braked)

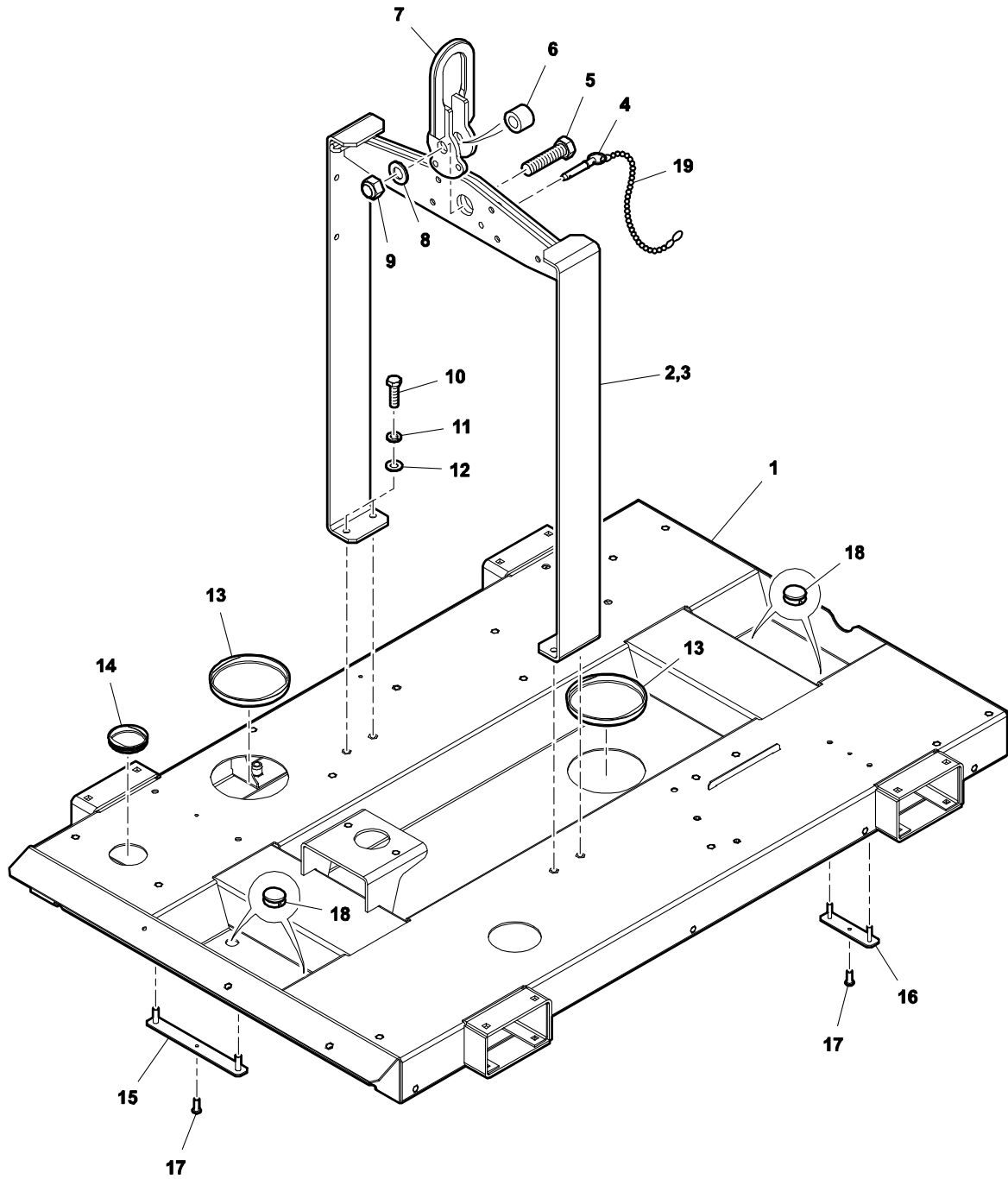


- 42
- 43
- 44
- 45
- 46
- 47

T4587\_01  
06/17



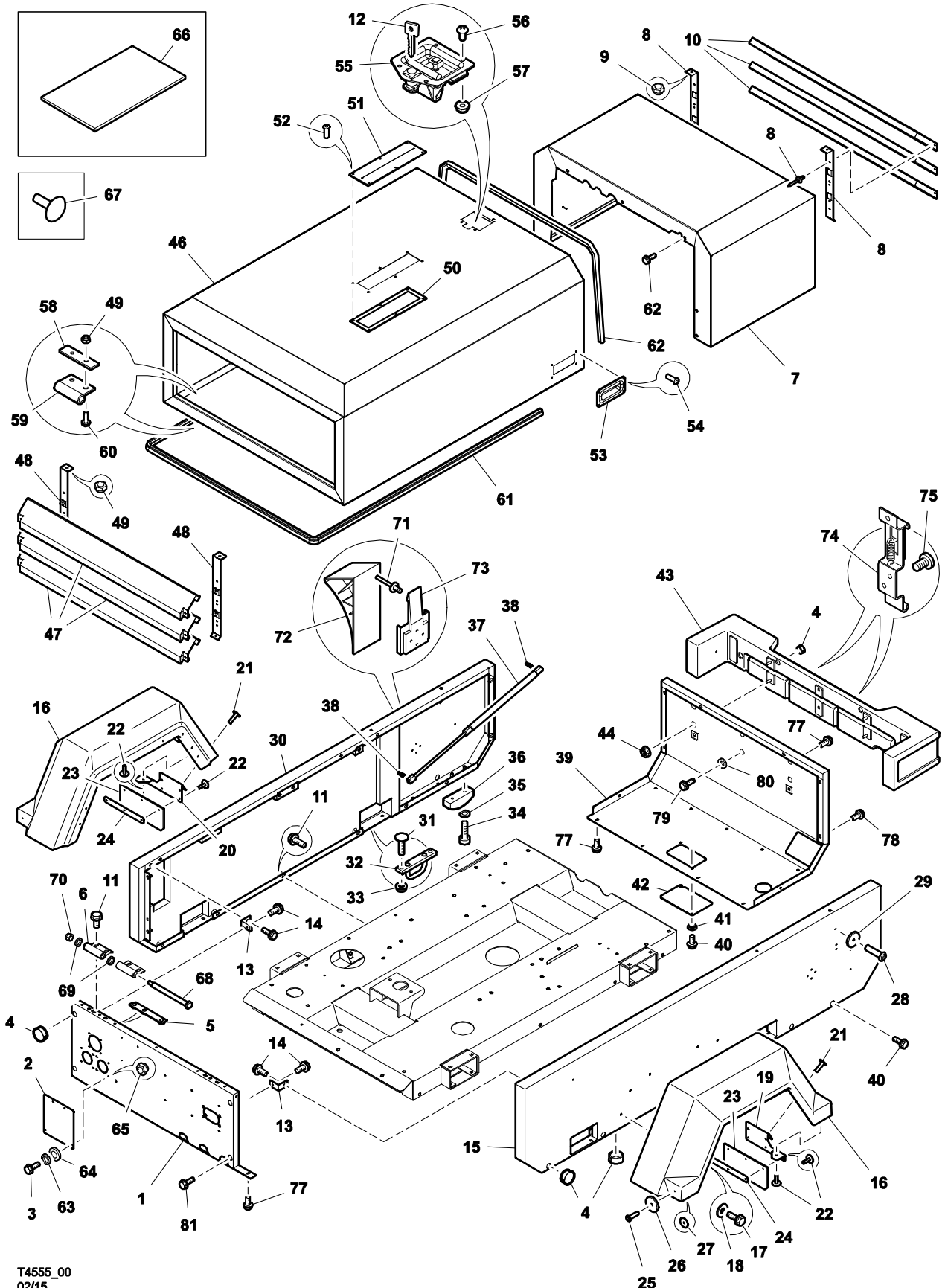
# MAIN FRAME



T4531\_00  
02/15



# ENCLOSURE



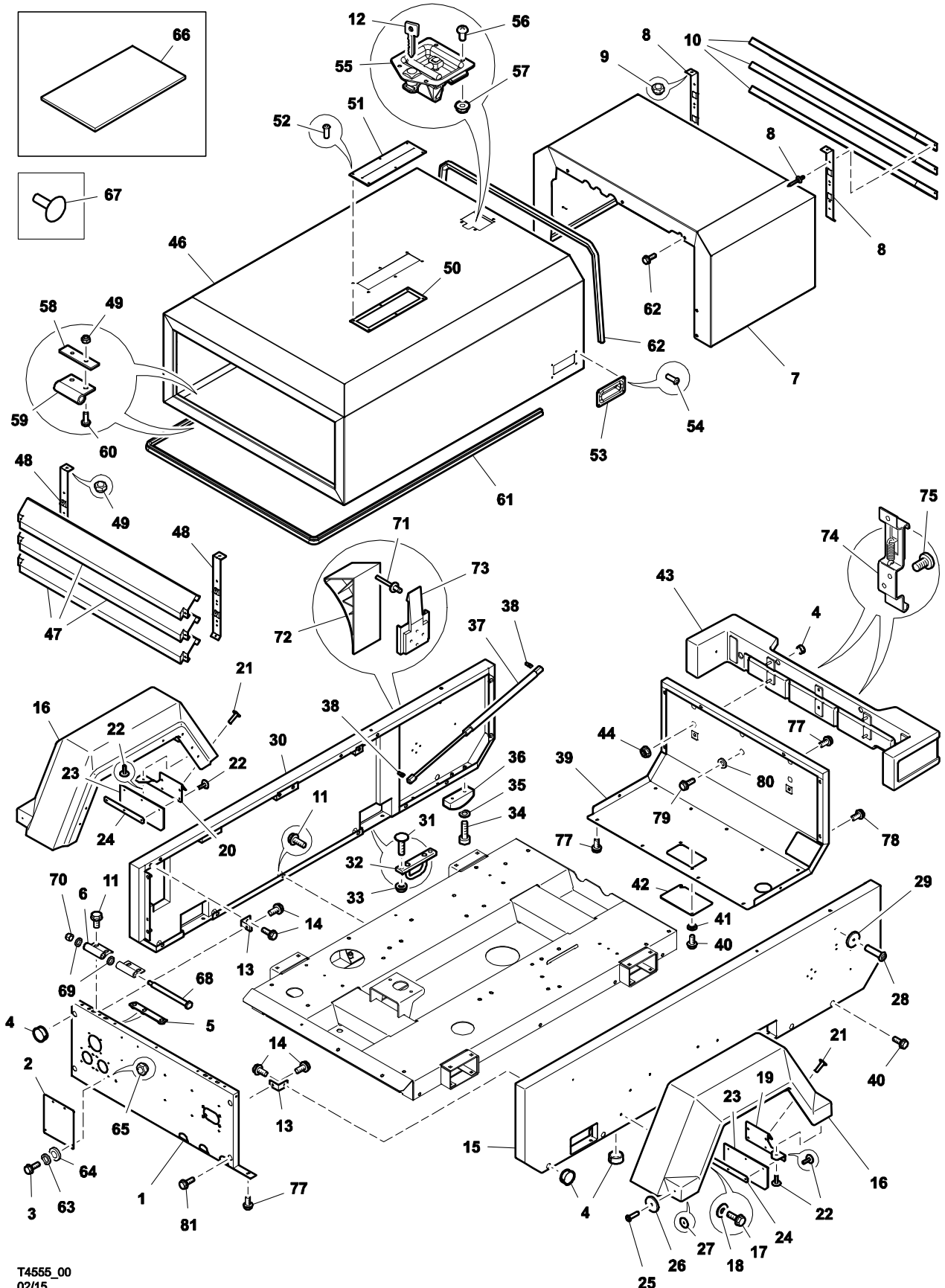
T4555\_00  
02/15



## ENCLOSURE

Item	Part Number	Description	Remarks	Serial Number	Qty
1	46652463	PANEL ASSEMBLY			1
2	46621408	COVER			1
3	54470968	SCREW			4
4	92783281	PLUG	order as required		x
5	46551502	BRACKET			2
6	92798727	HINGE, LOWER			2
7	46655160	CANOPY ASSEMBLY	W/Ref. 8-10 (includes foam)		1
7	46652467	CANOPY, PAINTED	(beige)		1
8	46654893	SUPPORT			2
9	92304542	NUT			2
10	46652534	LOUVRE			3
11	96704408	SCREW	order as required		x
12	92094358	KEY	optional		1
13	92783810	BRACKET			2
14	92184811	SCREW			4
15	46655168	PANEL ASSEMBLY			1
15	46652461	PANEL, PAINTED			1
16	23196660	FENDER			2
17	36797652	SCREW			12
18	23076656	WASHER	order as required		x
19	46671798	BRACKET	(CE version only)		1
20	46671799	BRACKET	(CE version only)		1
21	22855258	RIVET	(CE version only)		4
22	46560699	RIVET	(CE version only)		8
23	46671803	GUARD	(CE version only)		2
24	46671800	WASHER	(CE version only)		2
25	92271923	RIVET			2
26	92085729	REFLECTOR, WHITE			2
27	88111091	WASHER			2
28	92271923	RIVET			4
29	92121243	REFLECTOR, AMBER			4

# ENCLOSURE (CONT'D)

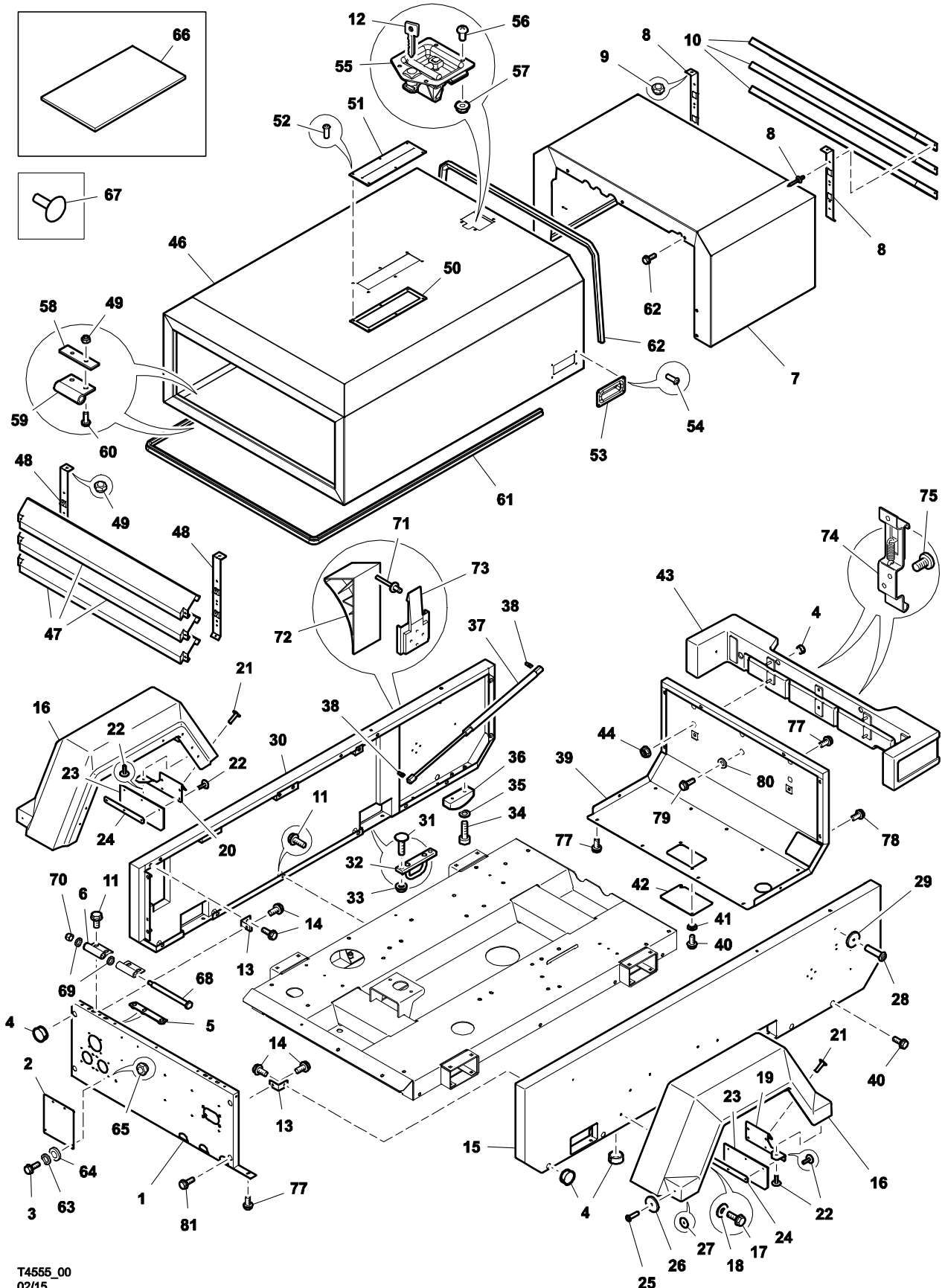


T4555\_00  
02/15

## ENCLOSURE (CONT'D)

Item	Part Number	Description	Remarks	Serial Number	Qty
30	46655169	PANEL ASSEMBLY			1
30	46652462	PANEL			1
31	46604119	SCREW			8
32	46668417	EYE			4
33	92398114	NUT	(M8)		4
34	92421429	CAPSCREW, SOCKET HEAD			4
35	96701396	WASHER			4
36	89257067	PROTECTOR			2
37	46656868	SPRING, GAS			2
38	35337328	STUD, BALL			4
39	46672831	PANEL ASSEMBLY			1
39	46652464	PANEL			1
40	36797652	SCREW			4
41	96701396	WASHER			1
42	46654736	COVER			1
43	92894609	BAR, BUMPER			1
44	92398114	NUT	(M8)		4
45	46655161	CANOPY ASSEMBLY	W/Ref. 46-62		1
46	46652466	CANOPY, PAINTED			1
47	46652879	LOUVRE			3
48	46654892	SUPPORT			2
49	92304542	NUT			6
50	46673291	COVERPLATE			1
51	46673290	COVER			1
52	22054498	RIVET			6
53	92824010	HANDLE			2
54	92863679	RIVET			8
55	92794254	LATCH			1
56	92722990	SCREW			4
57	96704176	NUT			4
58	92795095	PLATE			2

# ENCLOSURE (CONT'D)

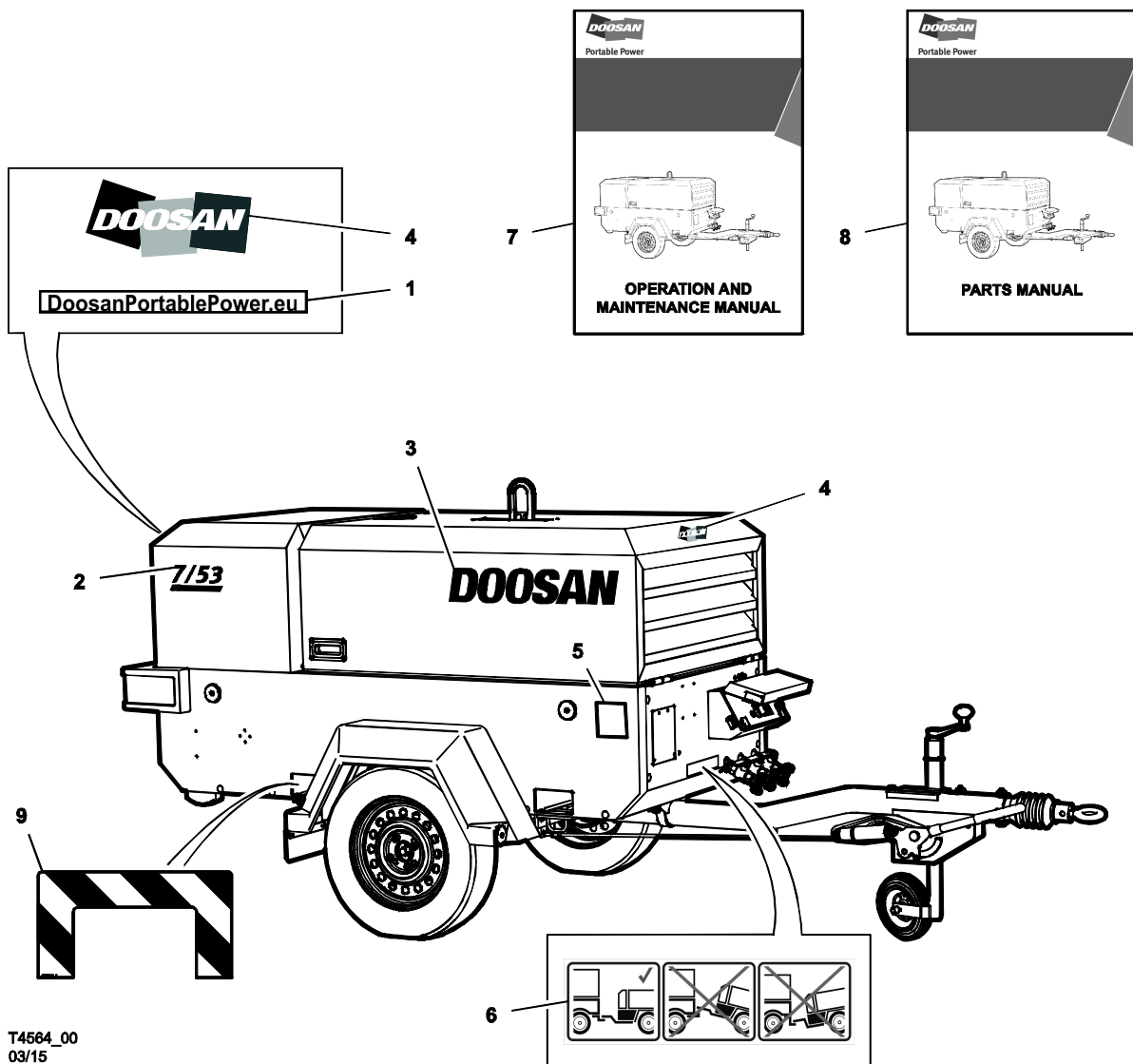


T4555\_00  
02/15

## ENCLOSURE (CONT'D)

Item	Part Number	Description	Remarks	Serial Number	Qty
59	92798719	HINGE			2
60	92398122	SCREW			8
61	92119957	SEAL	3,22 m long		1
62	92119957	SEAL	1,65 m long		1
63	92340447	WASHER, SPRING			4
64	92340439	WASHER			4
65	92340454	NUT			4
66	92949742	FOAM FIELD KIT (with adhesive)	1,9 m x 1,5 m x 25 mm (7' x 5' x 1")		1
66	92949767	FOAM FIELD KIT (with adhesive)	1,9 m x 1,5 m x 50 mm (7' x 5' x 2")		1
66	92949759	FOAM FIELD KIT (with adhesive)	0,95 m x 1,5 m x 25 mm (3' x 5' x 1")		1
66	92949775	FOAM FIELD KIT (with adhesive)	0,95 m x 1,5 m x 50 mm (3' x 5' x 2")		1
66	46592579	FOAM FIELD KIT (no adhesive)	1,9 m x 1,5 m x 50 mm (7' x 5' x 2")		1
66	46592580	FOAM FIELD KIT (no adhesive)	0,95 m x 1,5 m x 50 mm (3' x 5' x 2")		1
66	46680491	FOAM FIELD KIT	(30mm)		1
67	46570819	RETAINER	order as required		x
68	92119445	PIN, HINGE			2
69	92119460	WASHER			4
70	92304559	NUT			2
71	92271923	RIVET	optional		8
72	22347041	CHOCK, WHEEL	optional		2
73	22347033	CARRIER, WHEEL CHOCK	optional		2
74	92962547	CLIP, NUMBER PLATE	optional		2
75	92789205	SCREW	optional		6
76	54756317	RIVET			12
77	92096015	SCREW			13
78	96704408	SCREW			8
79	96705736	SCREW			2
80	92304583	WASHER			2
81	96728480	SCREW	(M8 x 16)		4

# DECALS AND DOCUMENTATION



T4564\_00  
03/15



# DECALS AND DOCUMENTATION



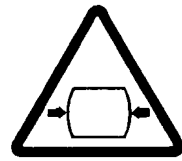
1



2



3



4



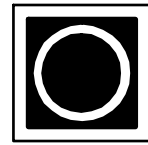
5



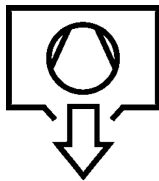
6



7



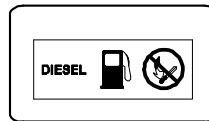
8



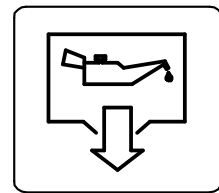
9



10



11



12



13



14



2.9 bar

15



16



17



18

T4565\_00  
03/15

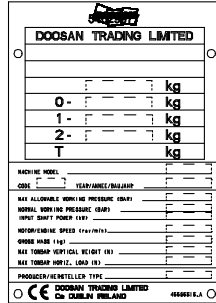




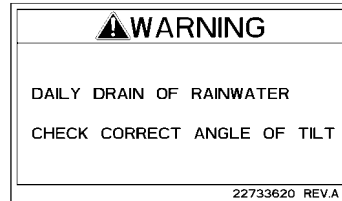
# DECALS AND DOCUMENTATION



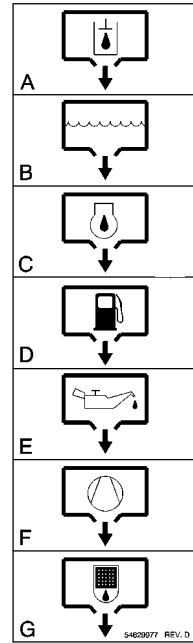
1



2



3



4



5

6

**110V/1PH/50HZ**

7

**230V/1PH/50HZ**

8

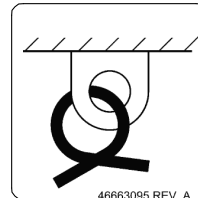
**400V/3PH/50HZ**



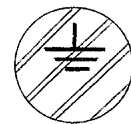
9



10



11



12

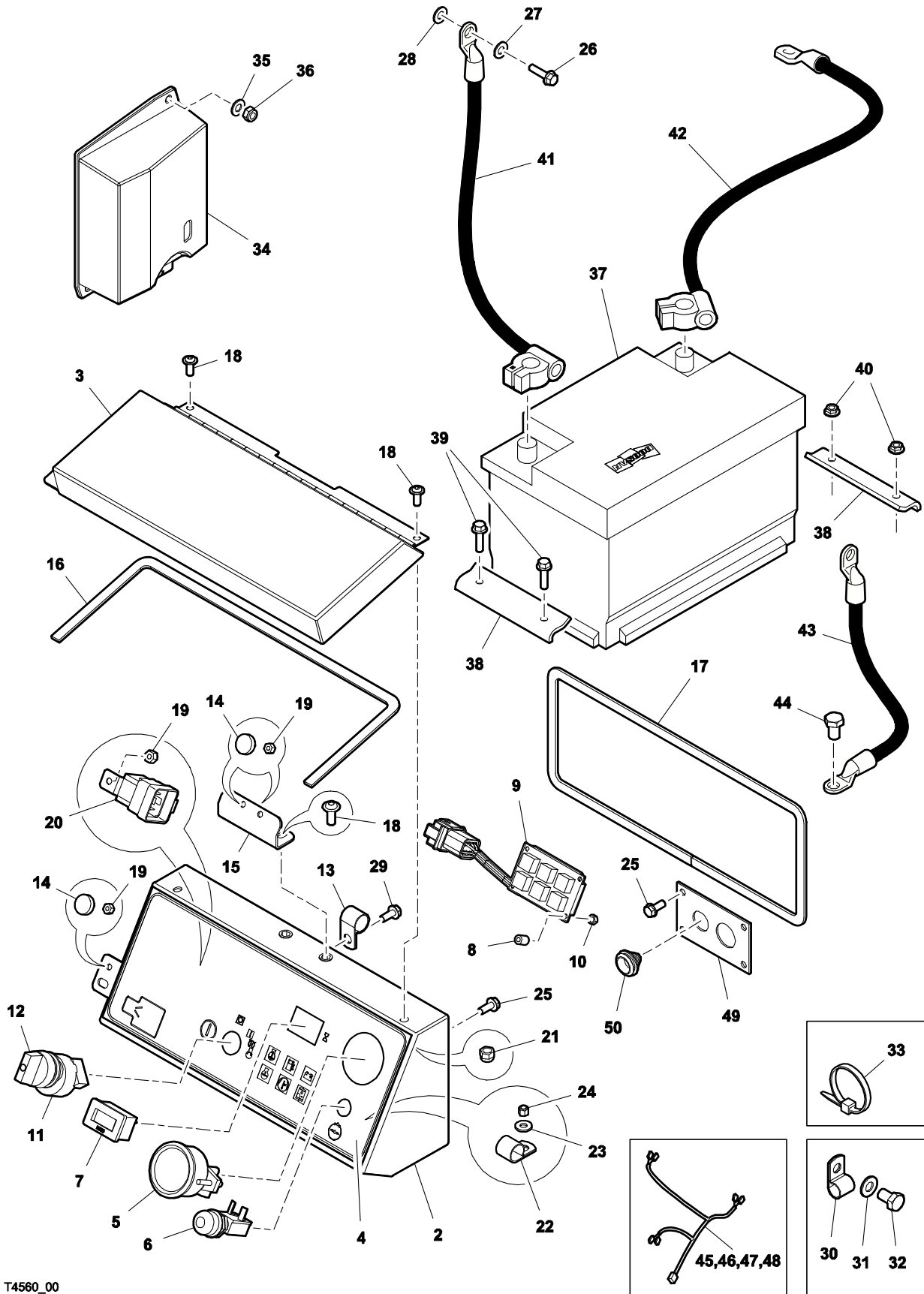




## INSTRUMENTATION / ELECTRICAL SYSTEM

Item	Part Number	Description	Remarks	Serial Number	Qty
1	46653249	CONROL PANEL ASSEMBLY	W/Ref. 2-24		1
2	46653140	PANEL, INSTRUMENT			1
3	46656741	COVER, INSTRUMENT PANEL			1
4	46653283	DECAL, FASCIA			1
5	92790187	GAUGE, PRESSURE			1
6	35255553	BUTTON, START / RUN	(load button)		1
7	46557109	HOURMETER			1
8	46653286	BUSH			4
9	46653284	LED PANEL ASSEMBLY			1
10	92340371	NUT			4
11	22127385	SWITCH, START	W/Ref. 12		1
12	22134118	KNOB ASSEMBLY			1
13	35225077	CLAMP			1
14	46570661	HOLDER, DOOR			3
15	46653251	BRACKET			1
16	22617666	SEAL	0,59 m long		1
17	22617666	SEAL	0,88 m long		1
18	23330491	SCREW			4
19	46541223	NUT			5
20	36878361	RELAY, WEATHERPROOF	(12 V)		2
21	92829316	NUT			2
22	35225077	CLAMP			1
23	95935029	WASHER			1
24	96704580	NUT			1
25	92096015	SCREW			9
26	96702287	SCREW			1
27	95935037	WASHER			1
28	46501292	WASHER			1
29	92398122	SCREW			1
30	35222538	CLIP, RETAINING			3
31	95935037	WASHER			3

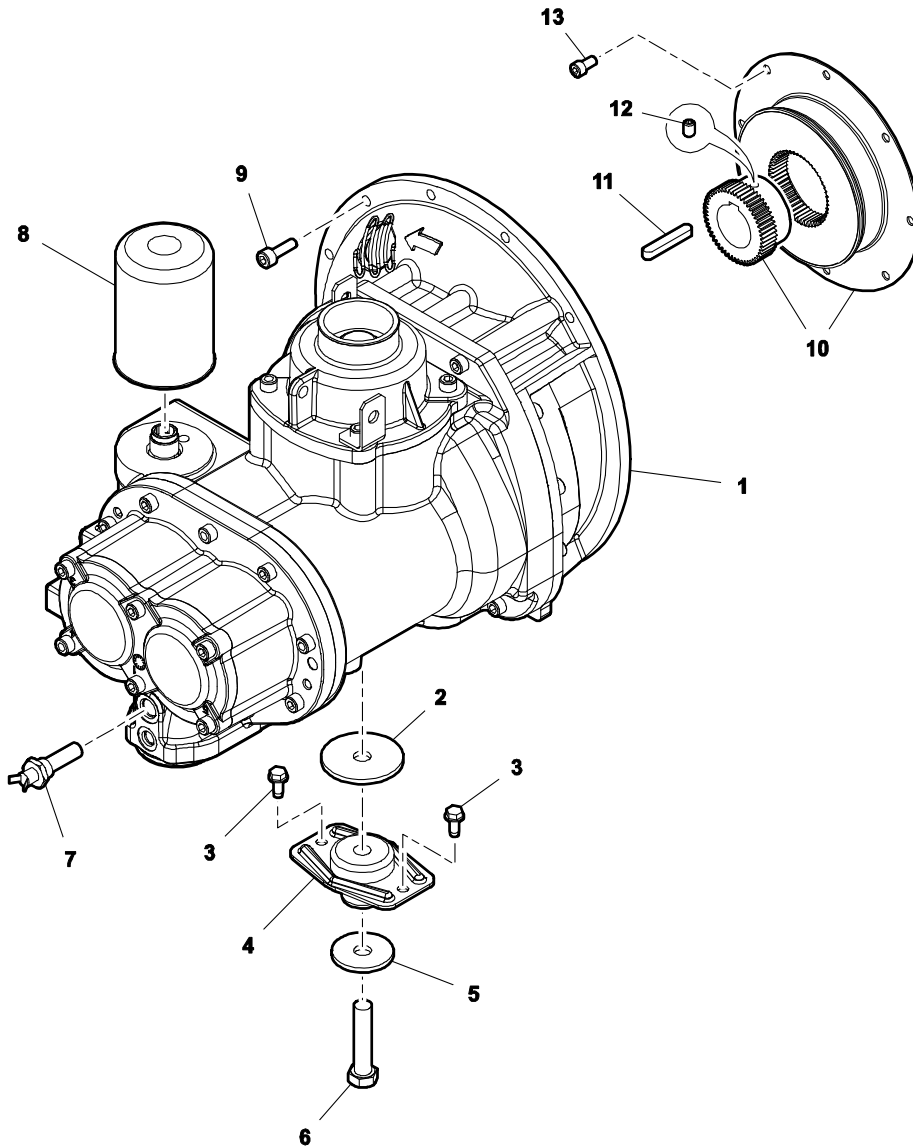
# INSTRUMENTATION / ELECTRICAL SYSTEM (CONT'D)



T4560\_00  
02/15



# AIREND ASSEMBLY

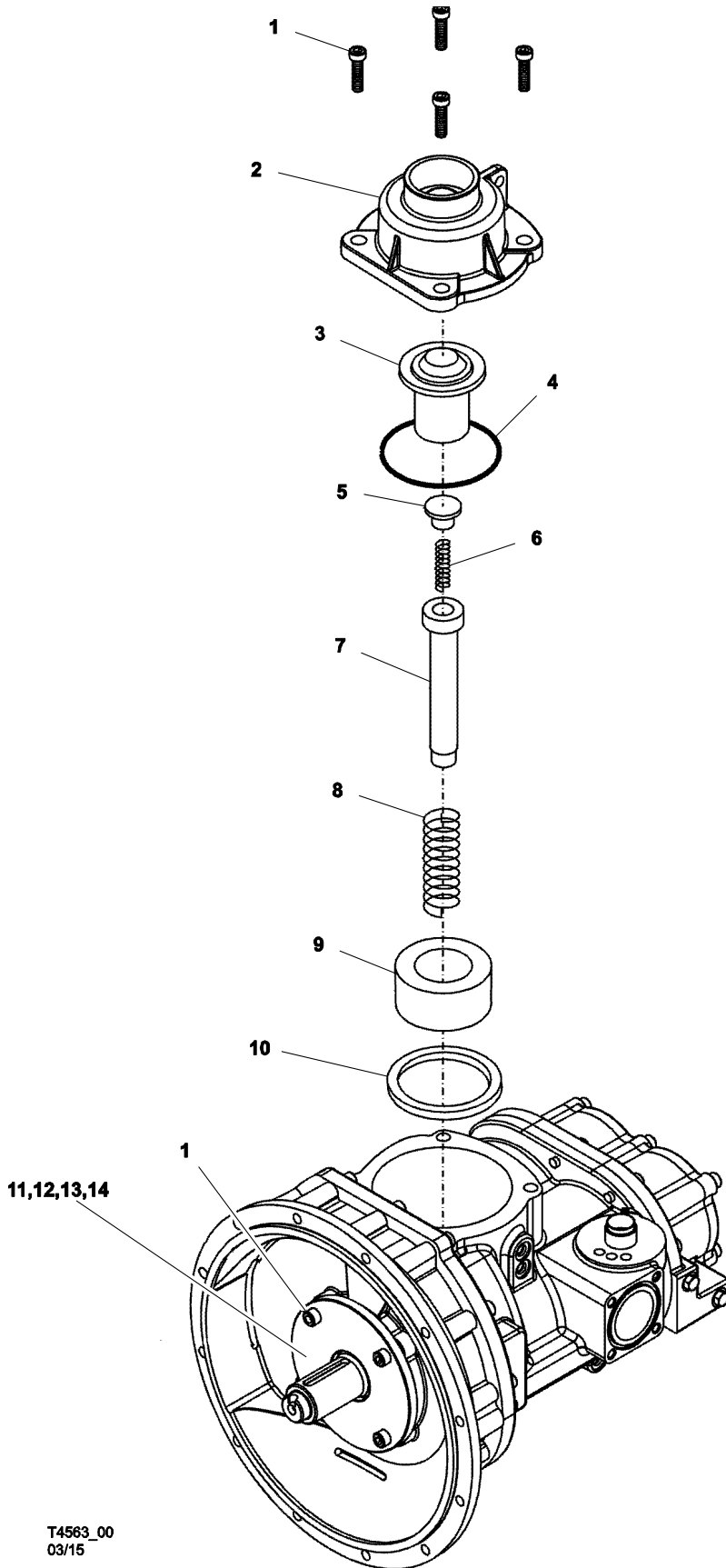


T4549\_00  
02/15





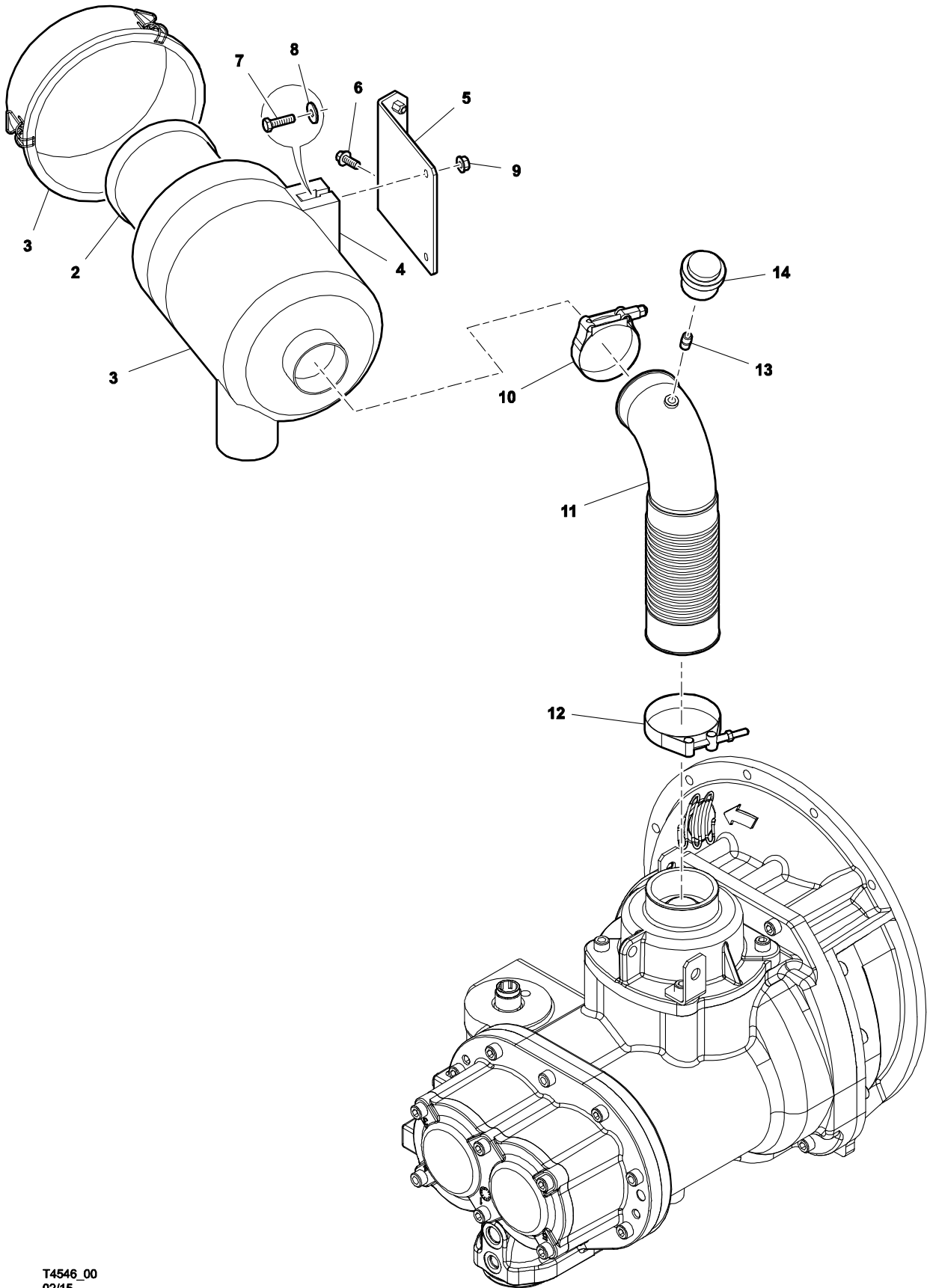
# AIREND ASSEMBLY (unloader)



T4563\_00  
03/15



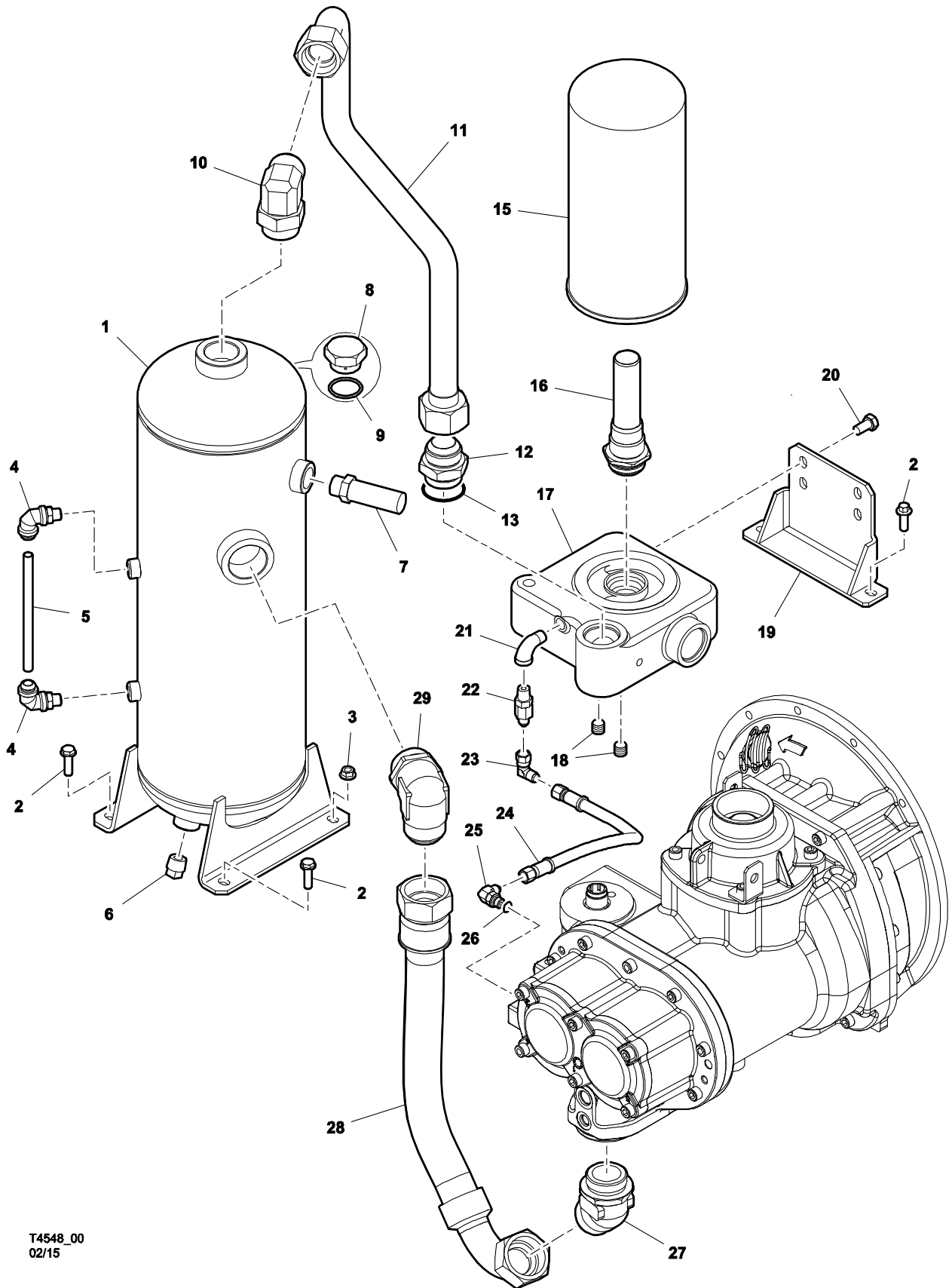
# AIR INTAKE (airend)



T4546\_00  
02/15



# SEPARATOR TANK

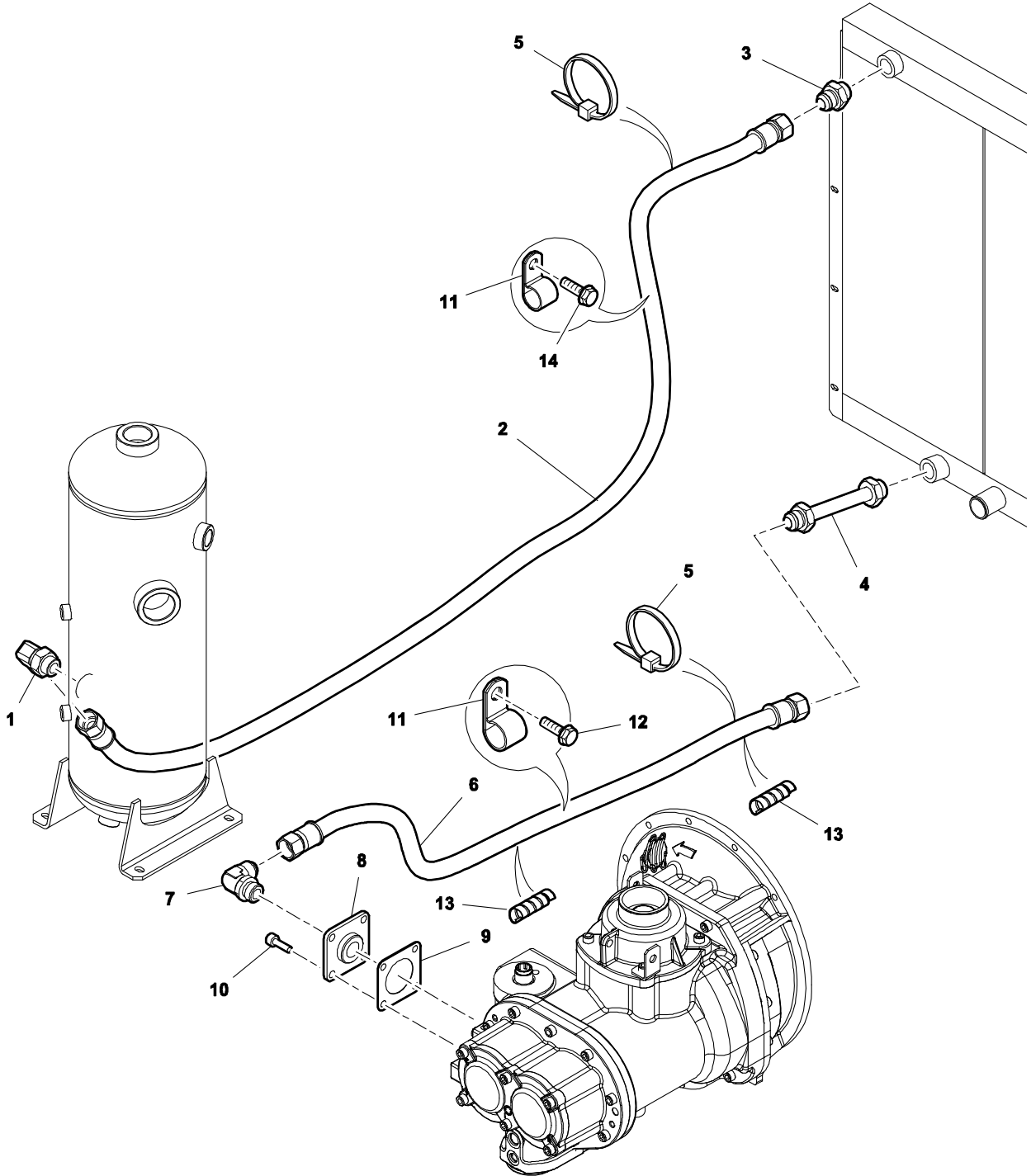


T4548\_00  
02/15

## SEPARATOR TANK

Item	Part Number	Description	Remarks	Serial Number	Qty
1	46653088	TANK, SEPARATOR			1
2	92101112	SCREW			2
3	92398114	NUT	(M8)		2
4	54403191	ELBOW			2
5	92823921	SIGHT-GLASS			1
6	93502128	PLUG			1
7	89259485	VALVE, SAFETY			1
8	35579630	PLUG	W/Ref. 9		1
9	35279942	O-RING			1
10	92123231	ELBOW			1
11	46653657	TUBE ASSEMBLY			1
12	35279785	ADAPTOR	W/Ref. 13		1
13	35279942	O-RING			1
14	46624439	SEPARATOR FILTER ASSEMBLY	W/Ref. 15-17		1
15	46645701	ELEMENT, SEPARATOR			1
16	22610760	NIPPLE			1
17	46624440	BASE, FILTER			1
18	95928230	PLUG			2
19	46654510	BRACKET			1
20	92472638	SCREW			4
21	95944666	ELBOW			1
22	36840437	ADAPTOR			1
23	35290352	ELBOW			1
24	35283241	HOSE ASSEMBLY			1
25	35279876	ELBOW	W/Ref. 26		1
26	35279959	O-RING			1
27	46553733	ELBOW			1
28	46671064	TUBE ASSEMBLY			1
29	92087832	ELBOW			1

# OIL PIPING

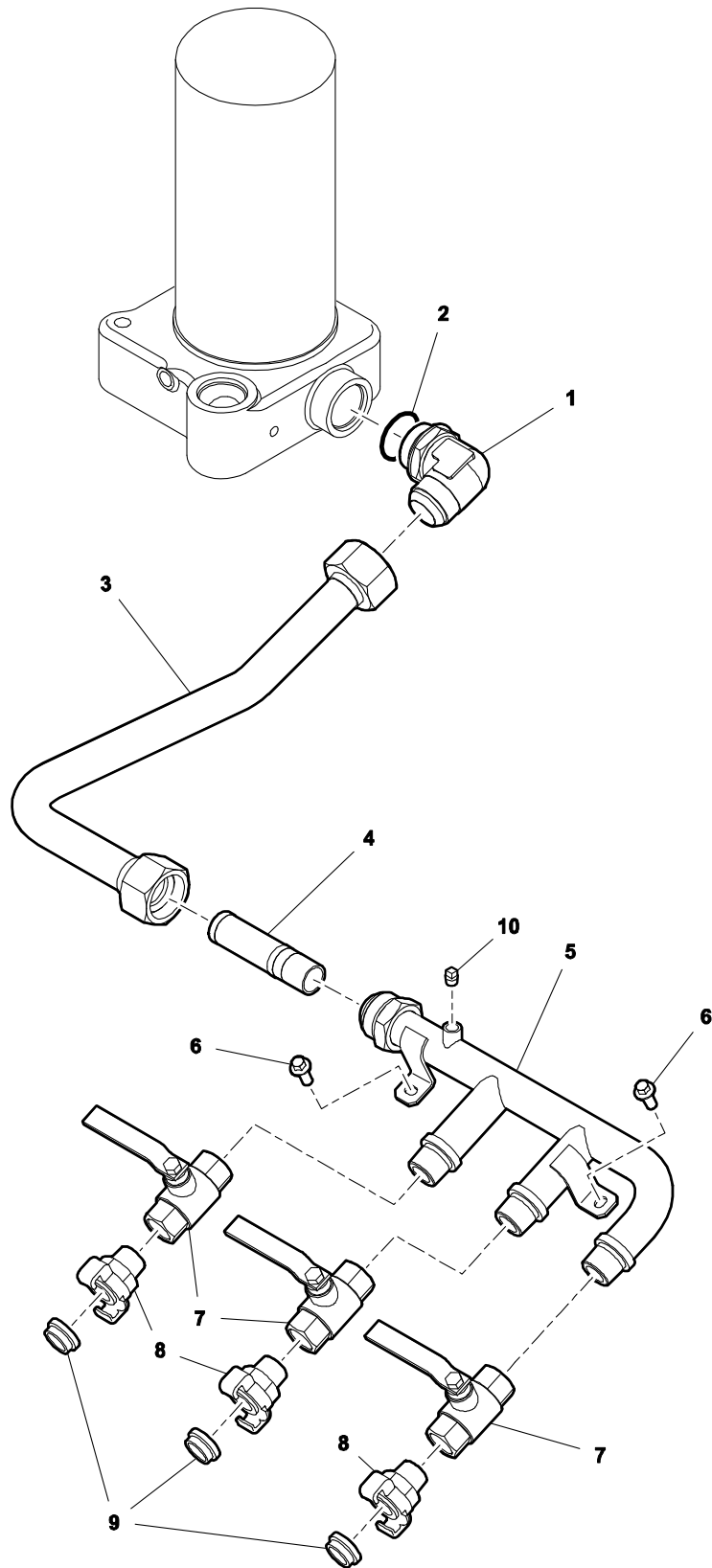


T4558\_00  
02/15





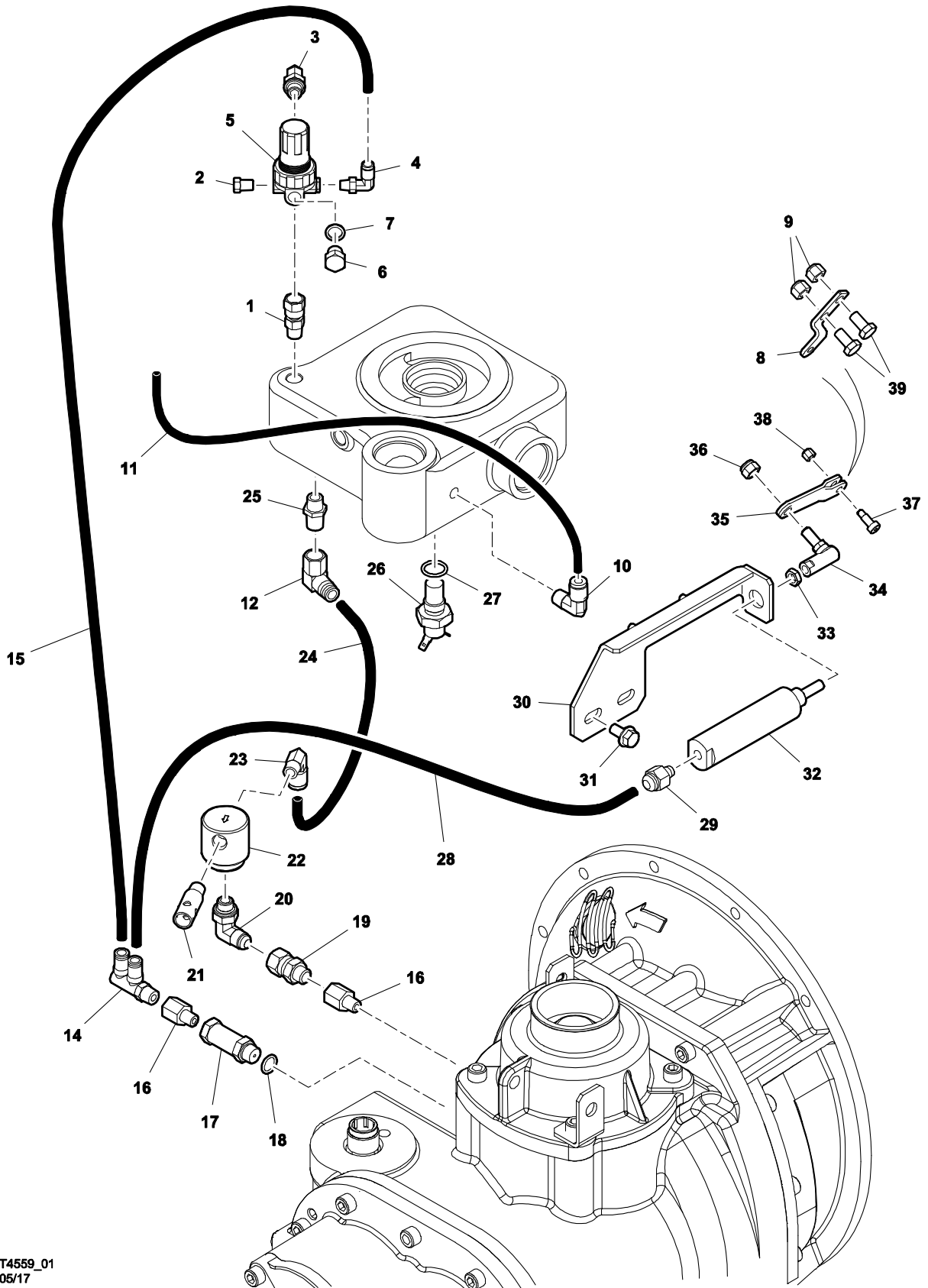
# AIR PIPING



T4550\_00  
02/15



# REGULATION SYSTEM

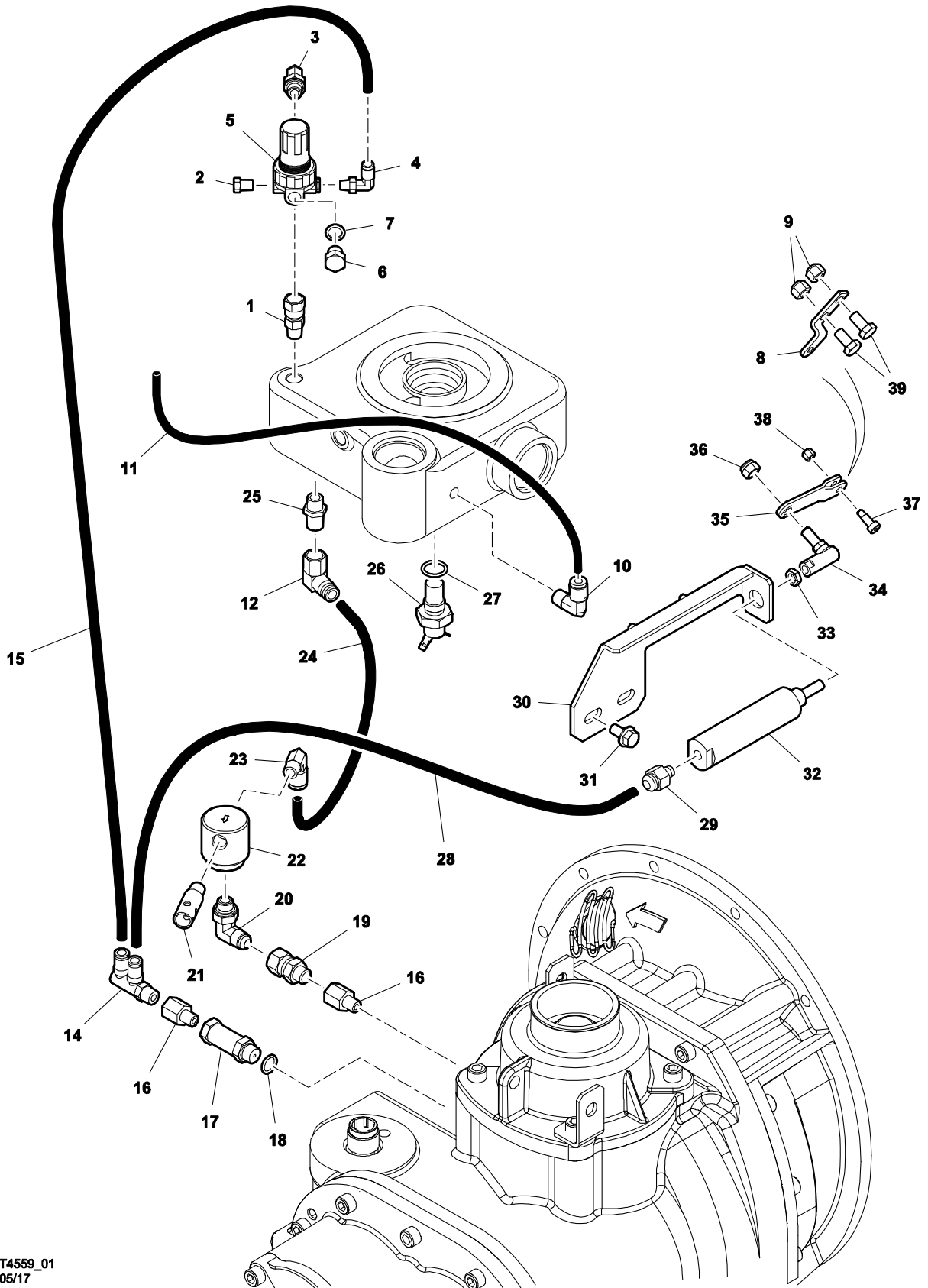


T4559\_01  
05/17

## REGULATION SYSTEM

Item	Part Number	Description	Remarks	Serial Number	Qty
1	35367846	ADAPTOR			1
2	46699476	ORIFICE			1
3	92123207	ELBOW			1
4	92914506	ELBOW			1
5	46638964	REGULATOR, PRESSURE			1
6	92871367	PLUG			1
7	92788926	WASHER, SEALING			1
8	46673581	LEVER			1
9	96704606	NUT			2
10	89244008	ELBOW			1
11	92490358	TUBE, NYLON	1,10 m long - (6 mm OD)		1
12	92799444	ELBOW			2
13	92799378	TUBE, NYLON	0,22 m long - (8 mm OD)		1
14	92799436	ELBOW			2
15	92799378	TUBE, NYLON	0,47 m long - (8 mm OD)		1
16	46624007	ADAPTOR			2
17	46673582	VALVE, CHECK	W/Ref. 18		1
18	35278571	O-RING			1
19	93152593	ADAPTOR			1
20	92123207	ELBOW			1
21	92549369	ORIFICE, SILENCER			1
22	54748363	VALVE, BLOWDOWN			1
23	92799386	ELBOW			1
24	92799378	TUBE, NYLON	0,49 m long - (8 mm OD)		1
25	46680232	ADAPTOR			1
26	35596436	SWITCH, TEMPERATURE			1
27	35278589	O-RING			1
28	92490358	TUBE, NYLON	0,60 m long - (6 mm OD)		1
29	23309578	CONNECTOR, PUSH IN			1
30	46652825	BRACKET			1
31	96728480	SCREW	(M8 x 16)		2

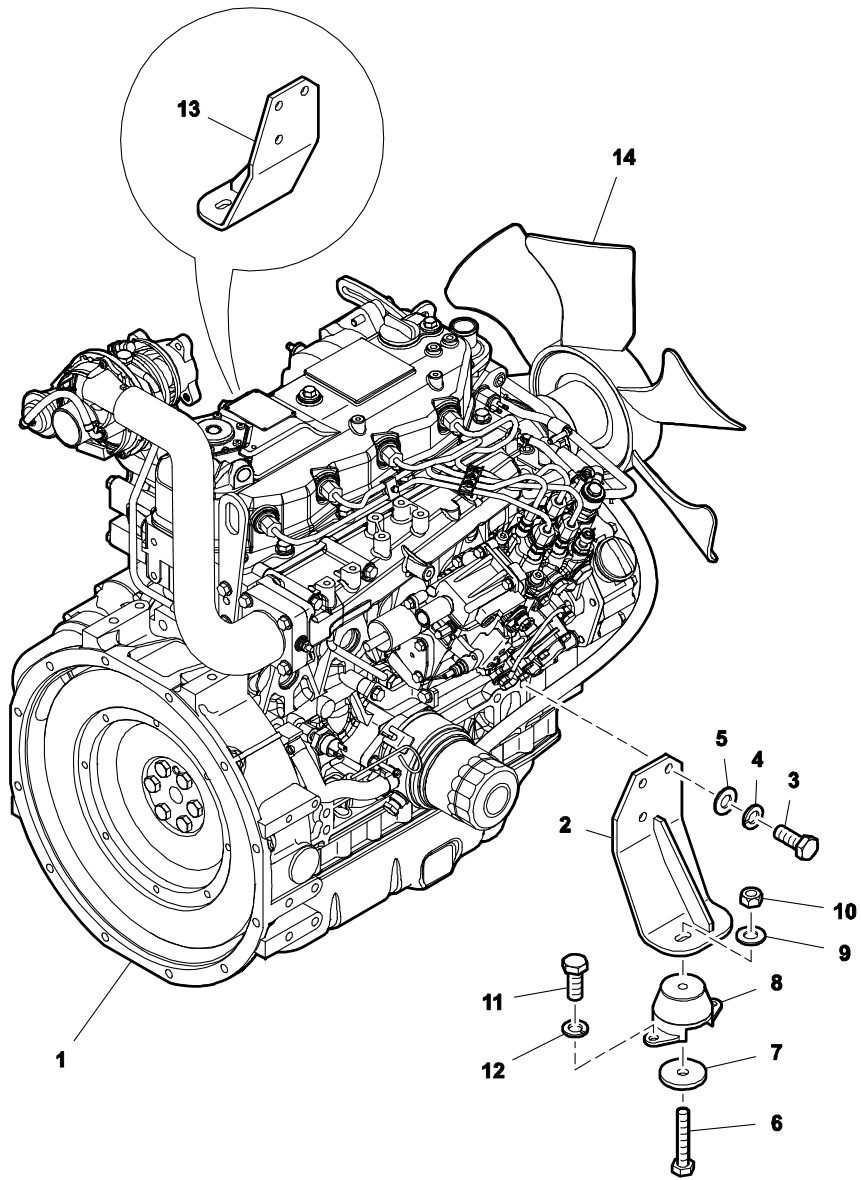
# REGULATION SYSTEM (CONT'D)



T4559\_01  
05/17



# ENGINE ASSEMBLY

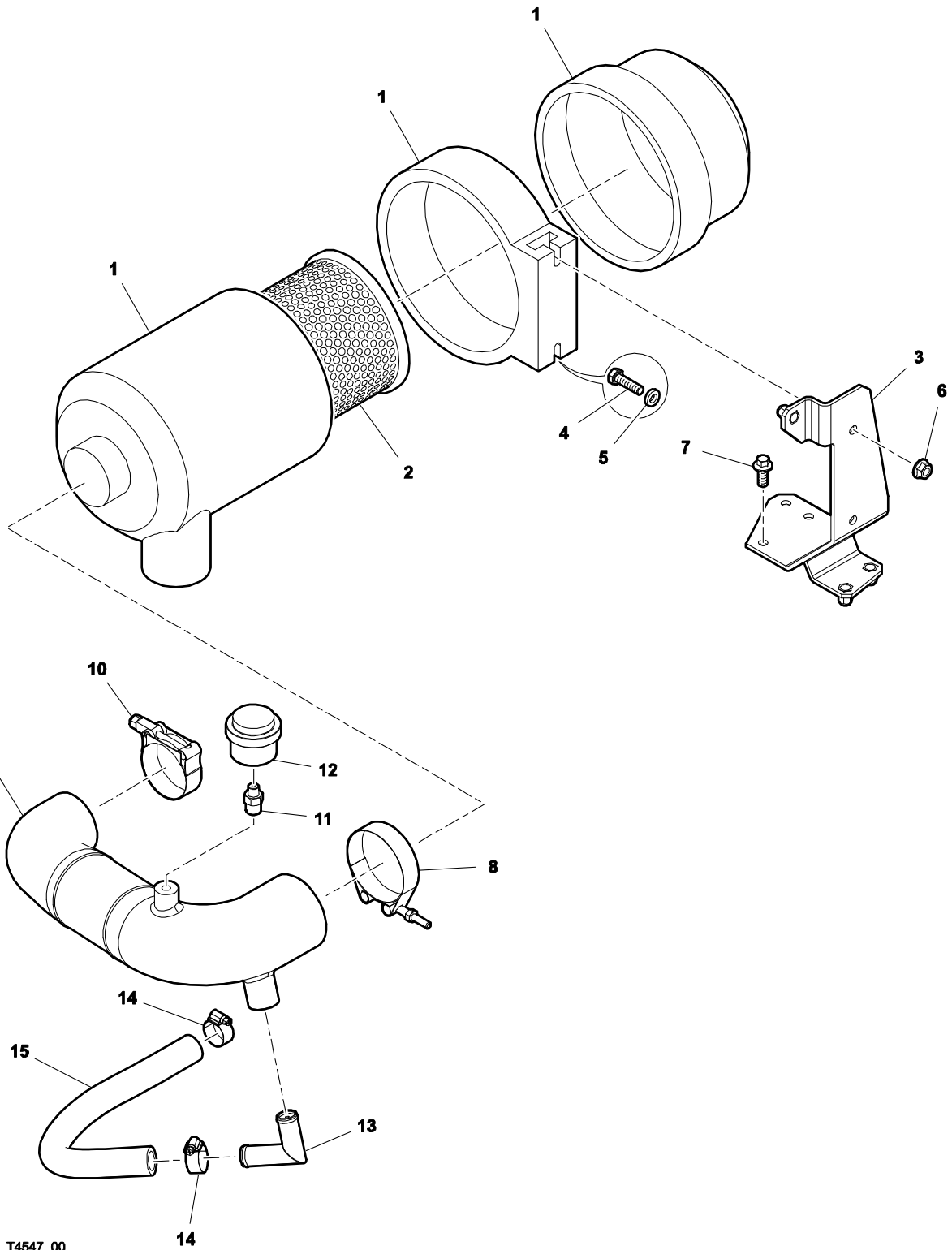


T4551\_00  
02/15





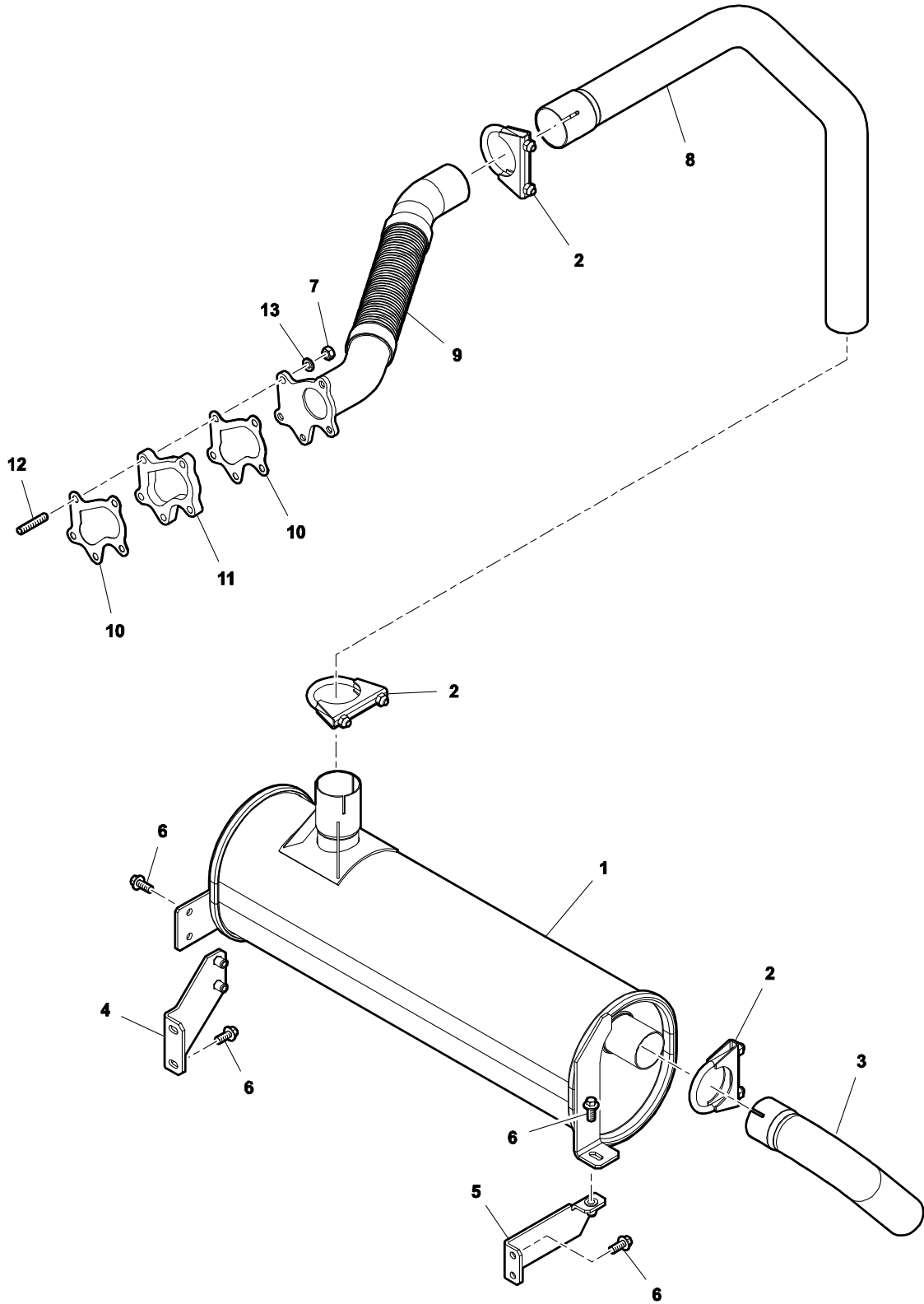
# AIR INTAKE (engine)



T4547\_00  
02/15



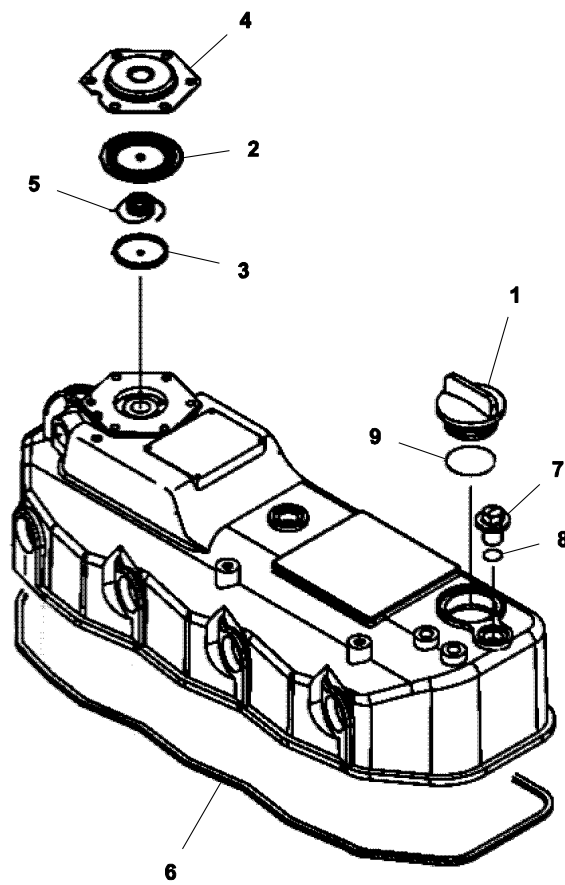
# EXHAUST SYSTEM



T4530\_02  
04/17



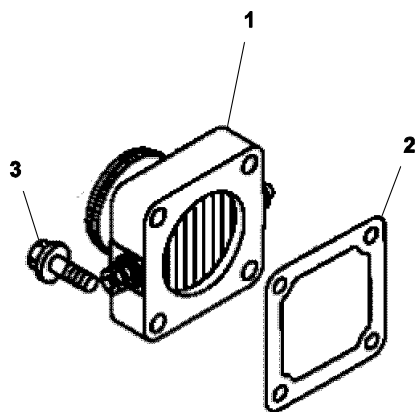
# ROCKER COVER



T4532\_00  
02/15



# AIR INTAKE MANIFOLD

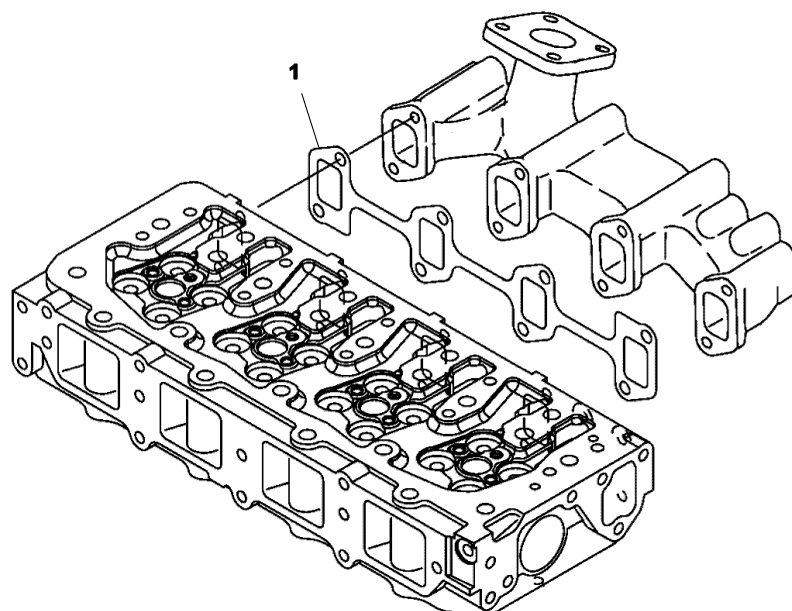


T4533\_00  
02/15





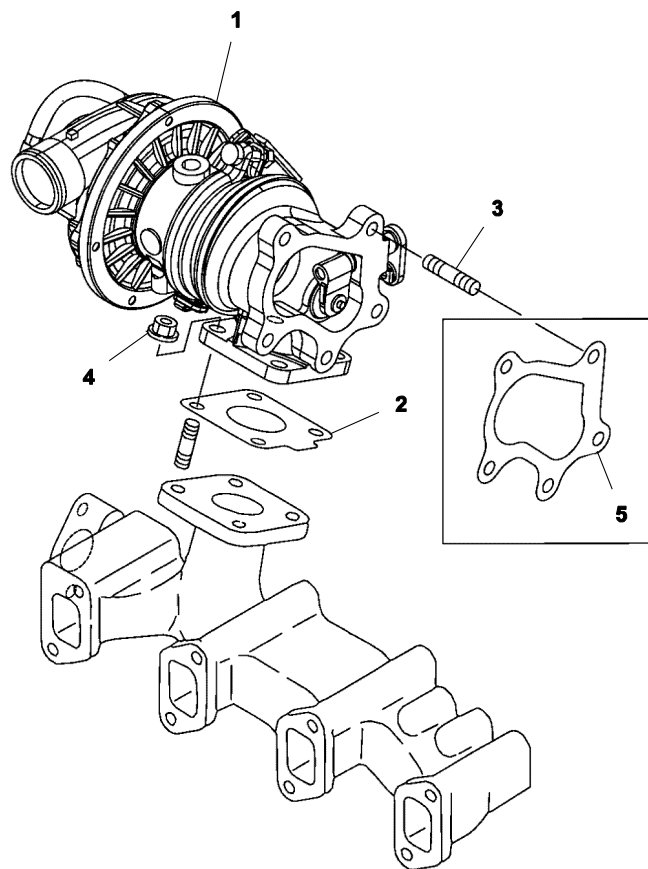
# EXHAUST MANIFOLD



T4534\_00  
02/15



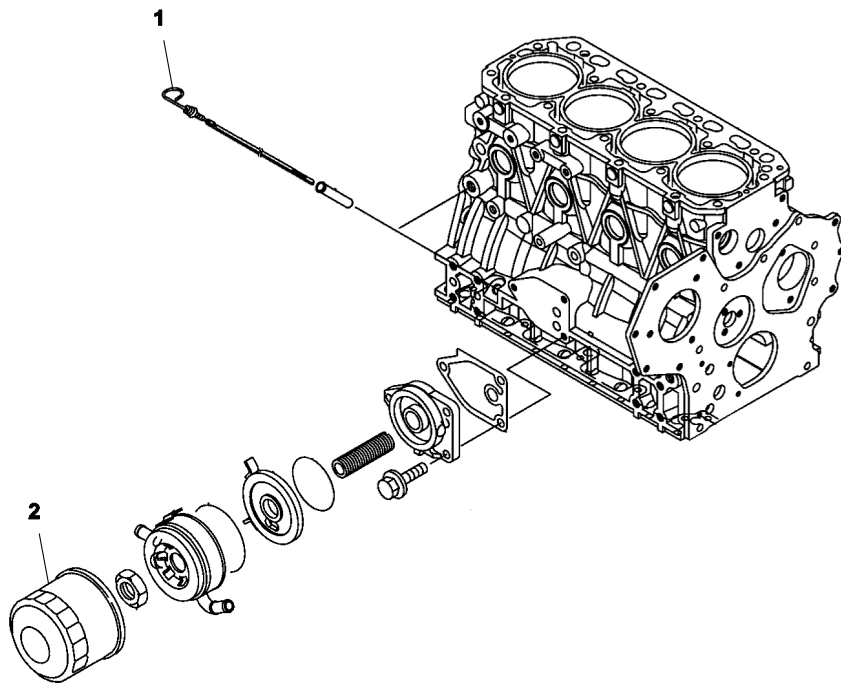
# TURBOCHARGER



T4535\_00  
02/15



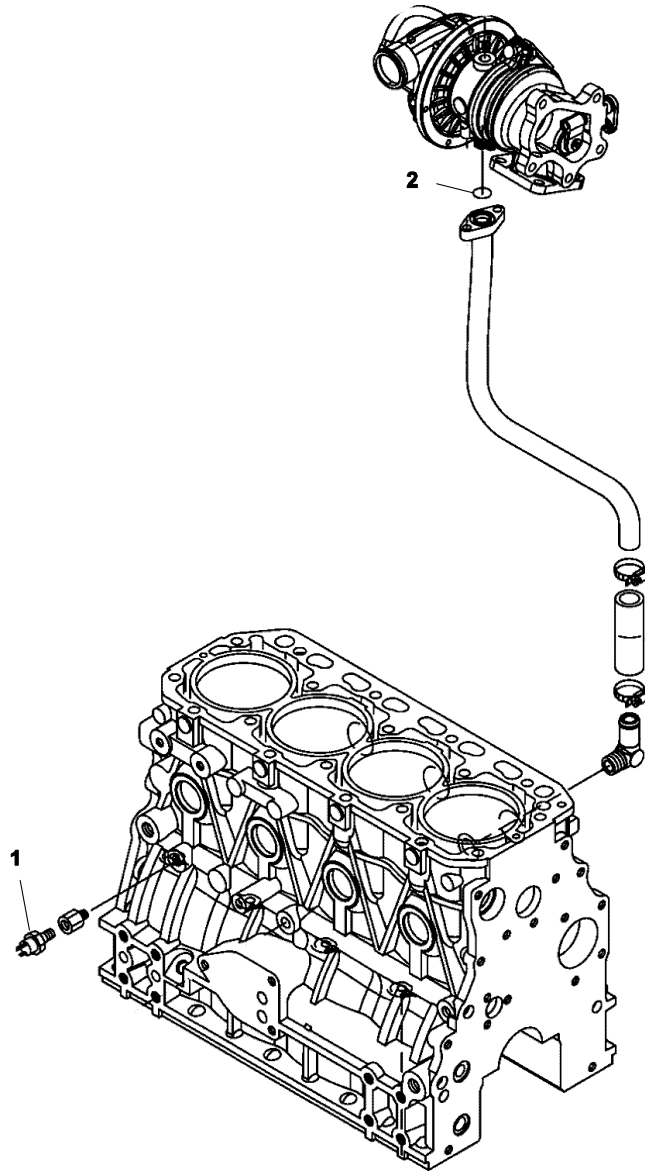
# LUBE OIL SYSTEM



T4536\_00  
02/15



# LUBE OIL PIPE (turbo)

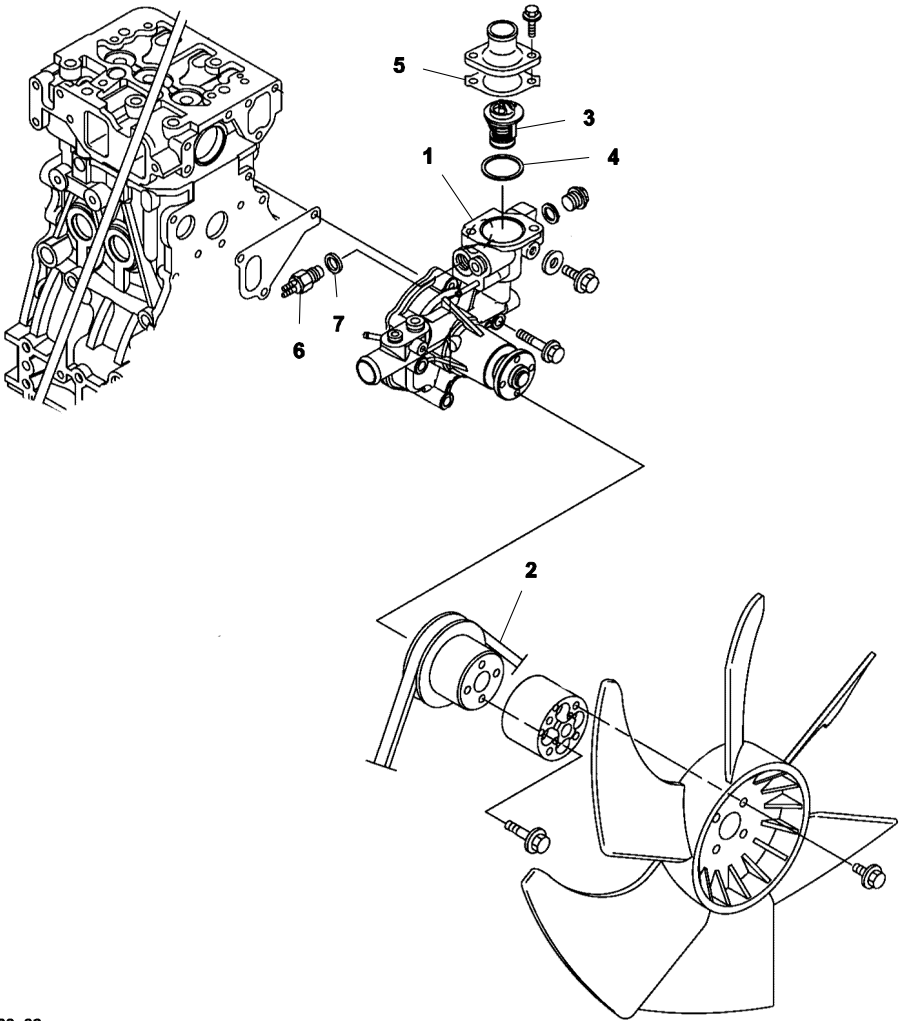


T4537\_00  
02/15





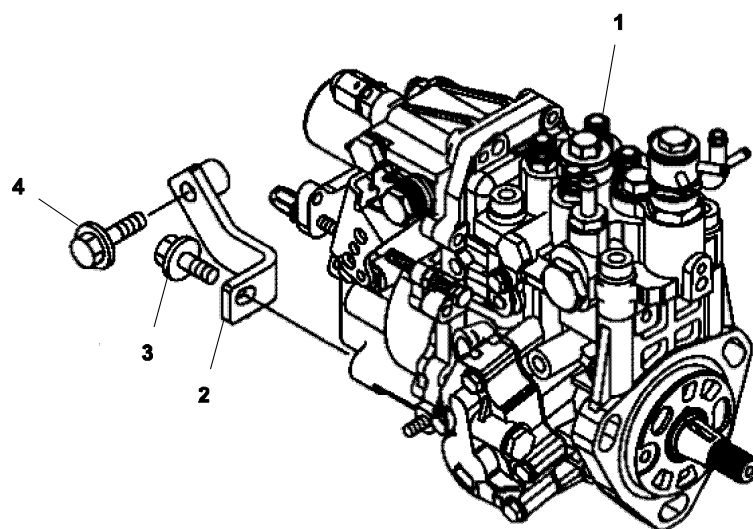
COOLING WATER SYSTEM



T4538\_00  
02/15



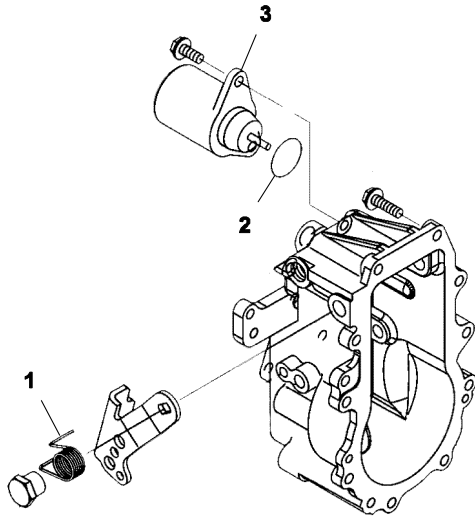
# FUEL INJECTION PUMP



T4539\_00  
02/15



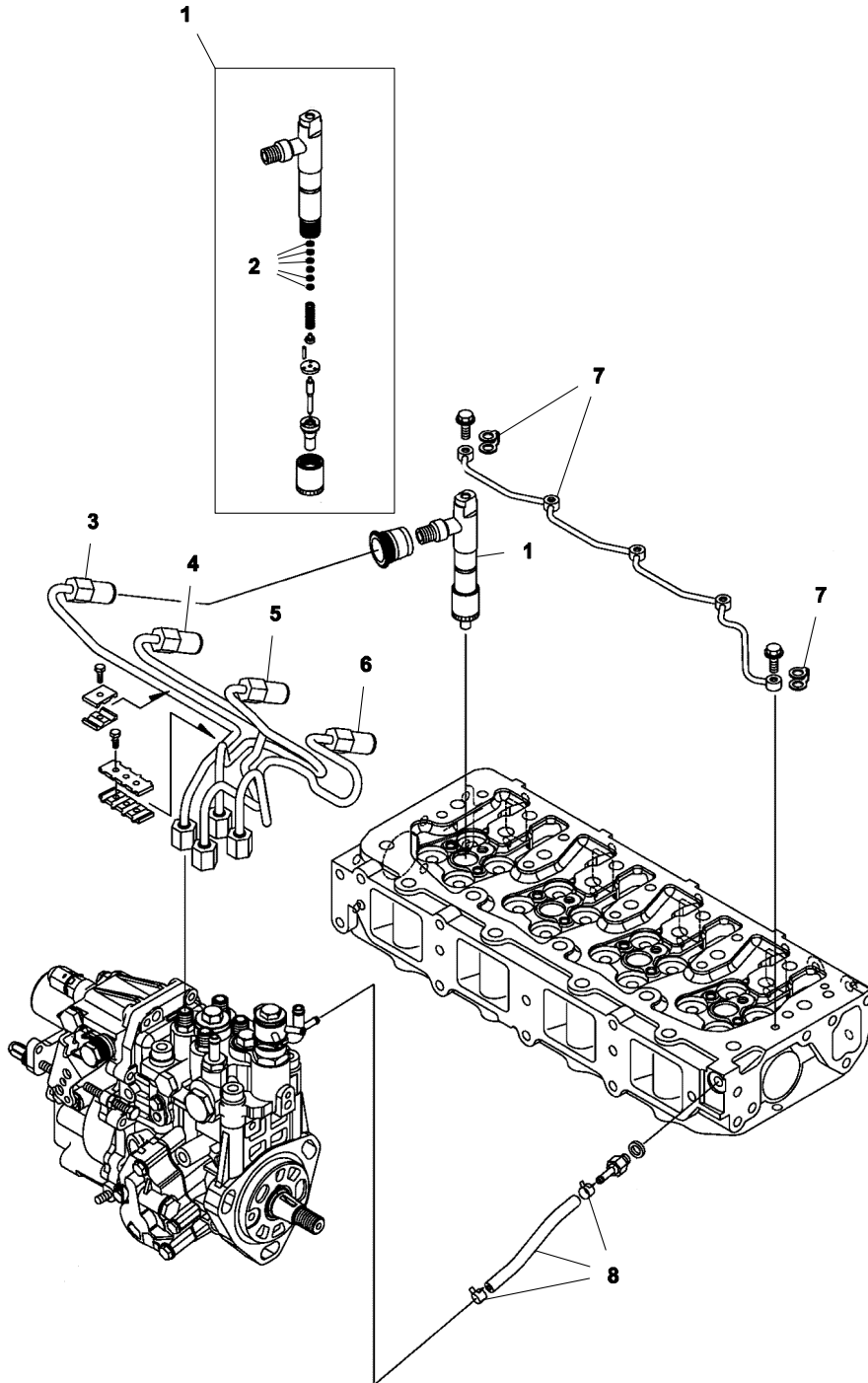
# GOVERNOR



T4540\_00  
02/15



# FUEL INJECTION VALVE

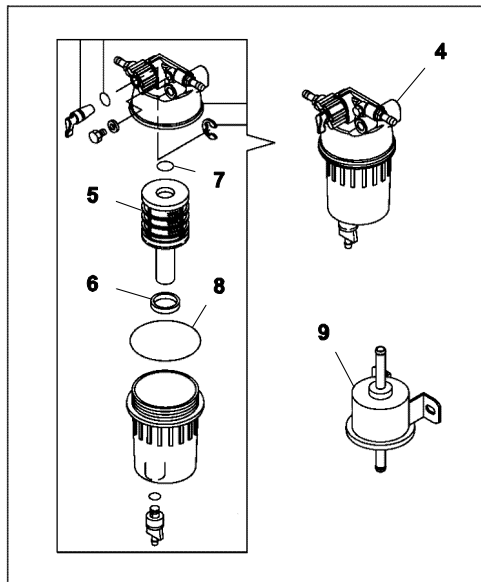
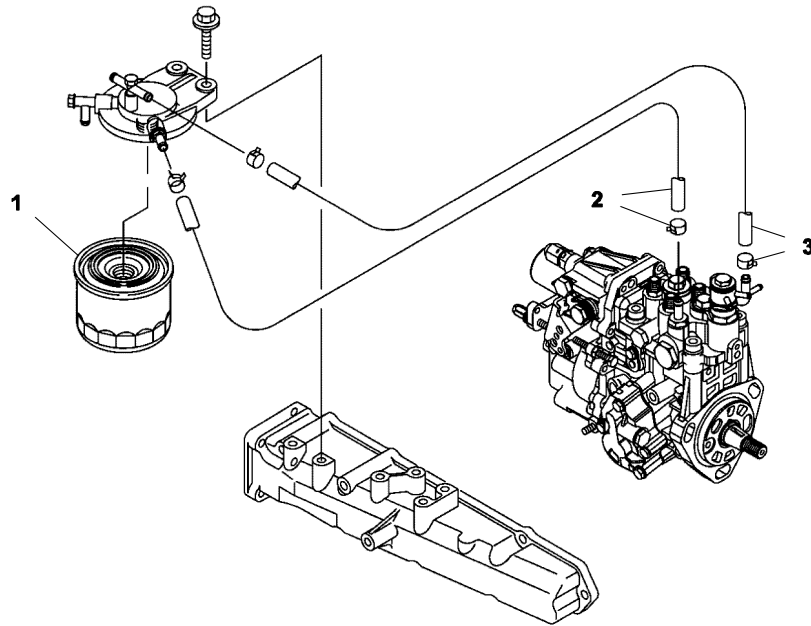


T4541\_00  
02/15





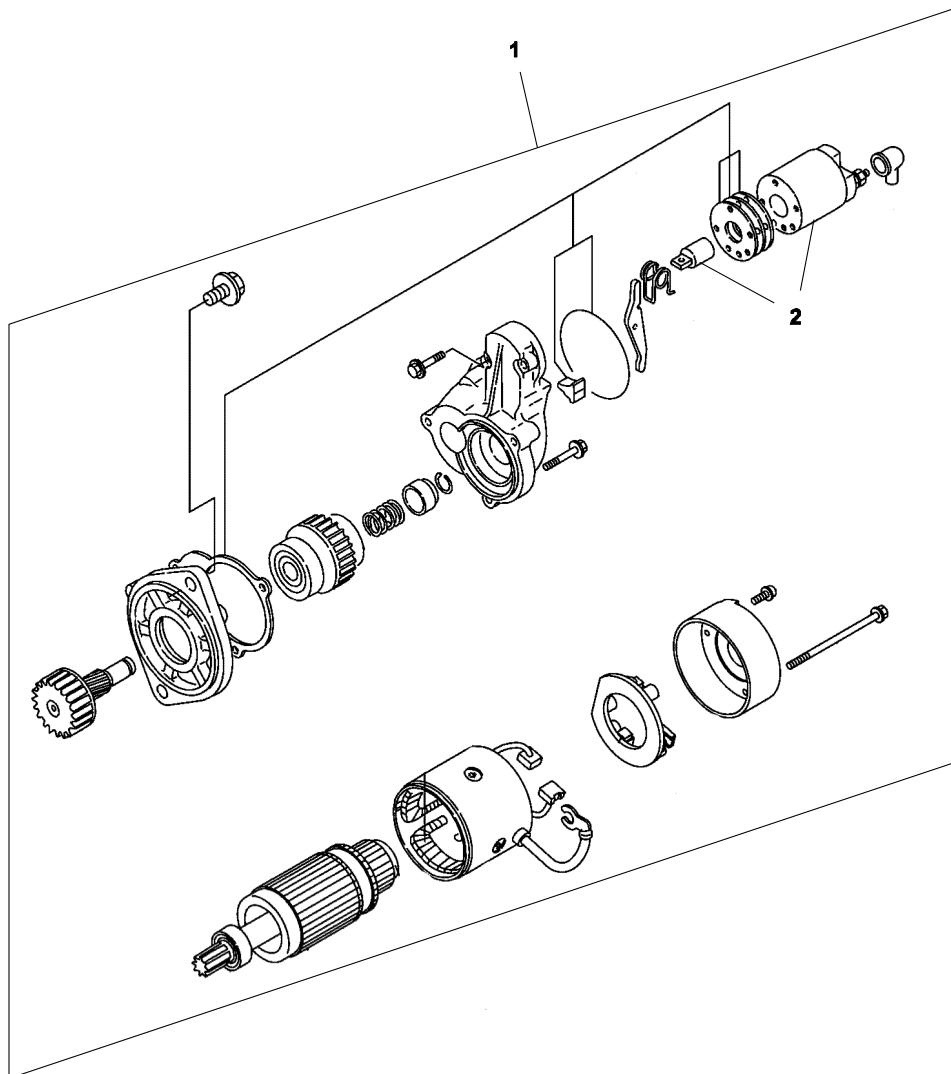
# FUEL FILTER



T4542\_00  
02/15



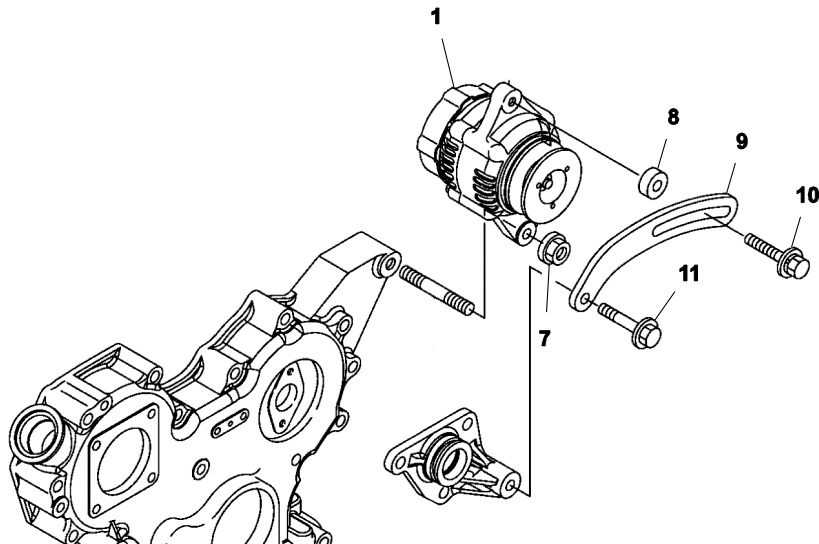
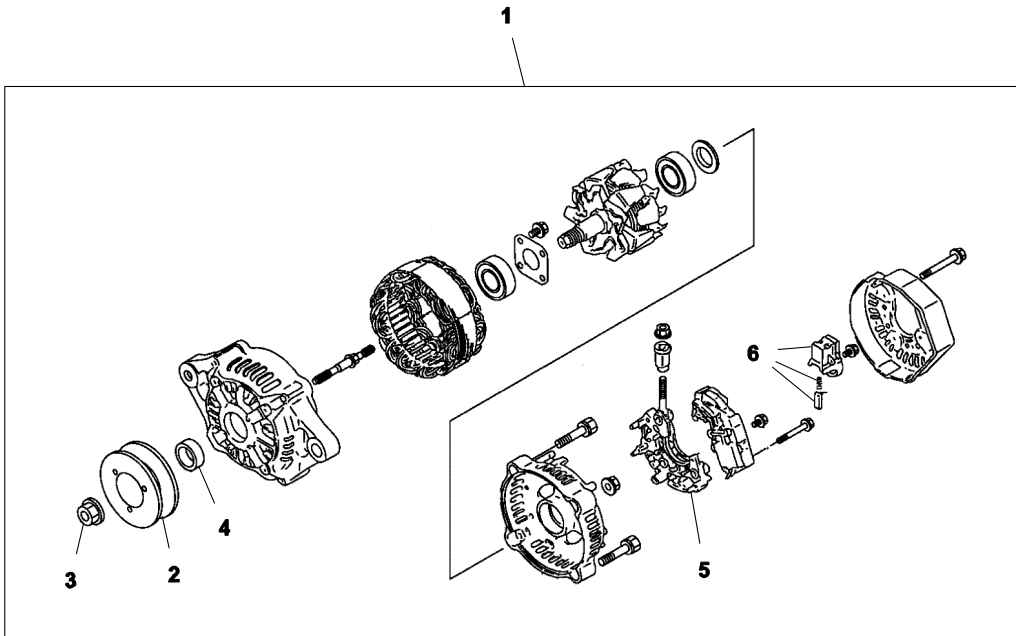
# STARTER MOTOR



T4543\_00  
02/15



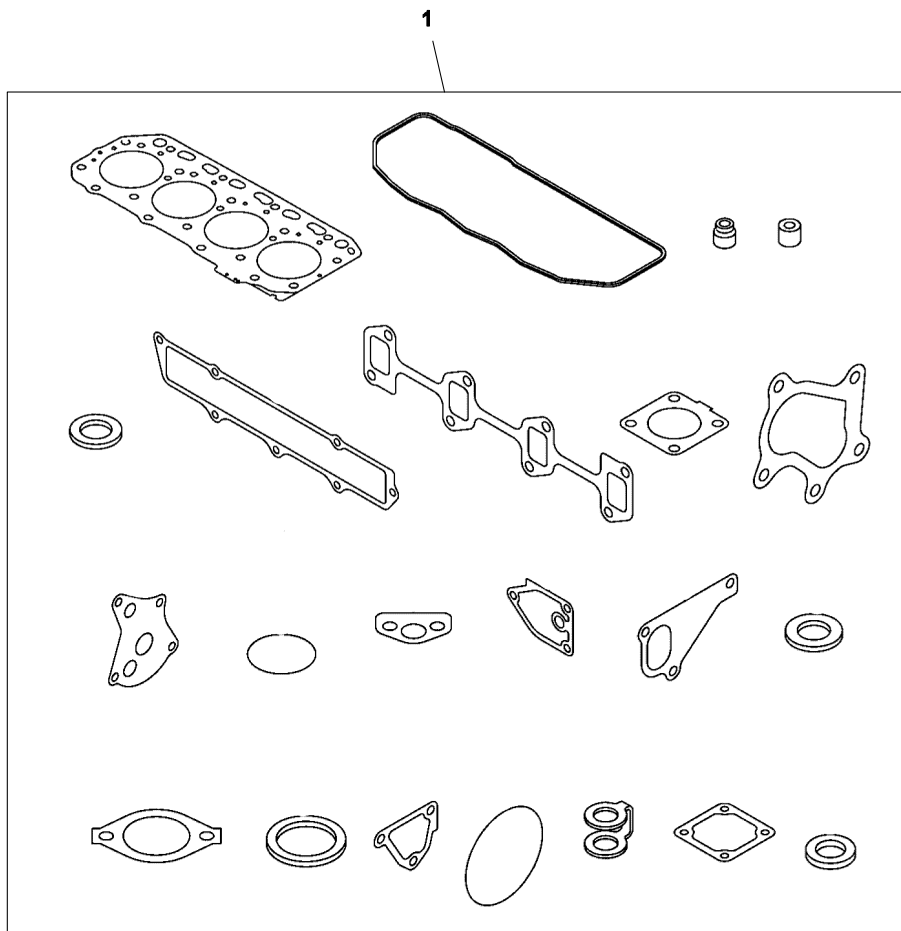
# ALTERNATOR



T4544\_00  
02/15



# GASKET SET

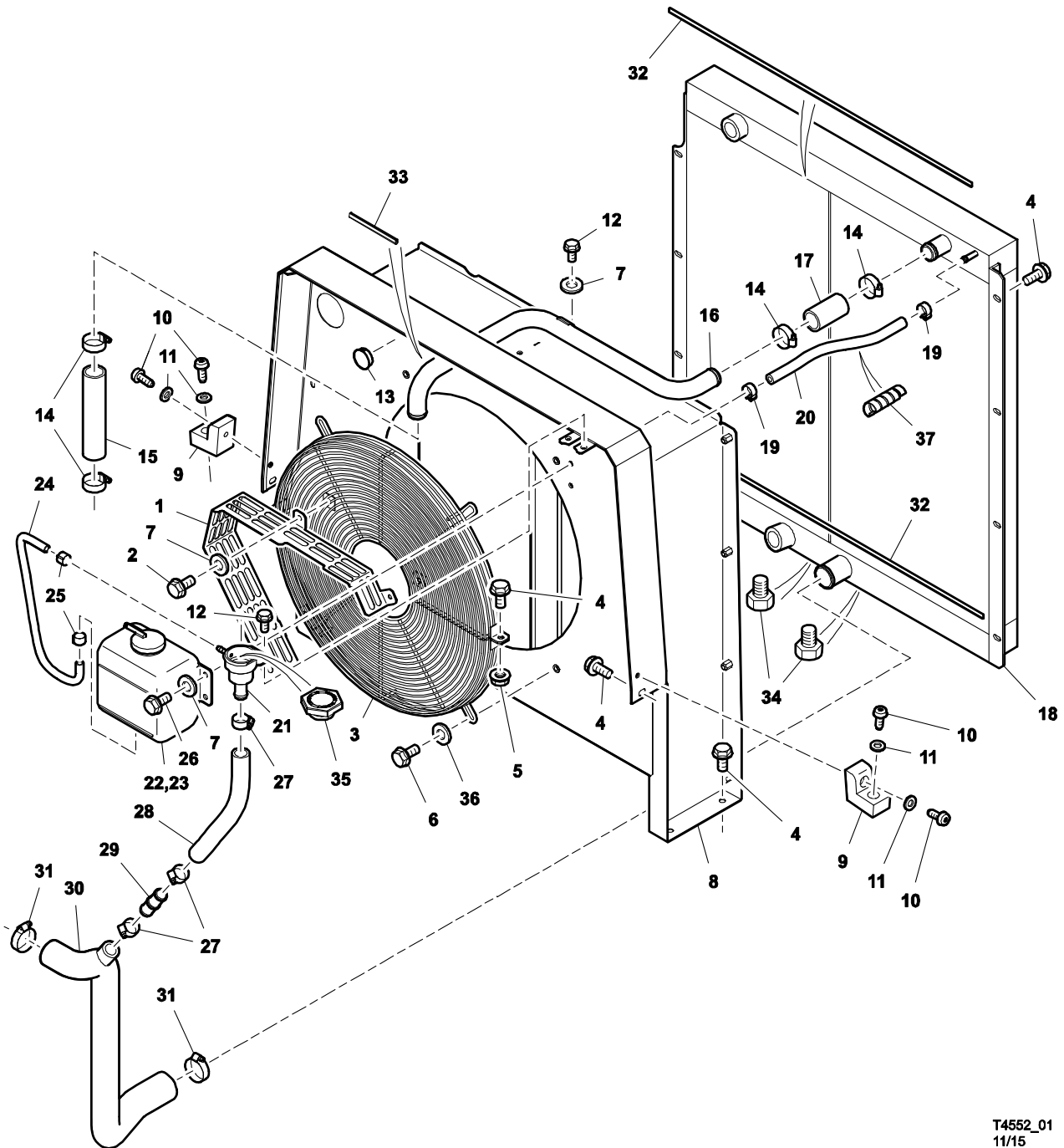


T4545\_00  
02/15





# COOLING SYSTEM (cooler and guards)

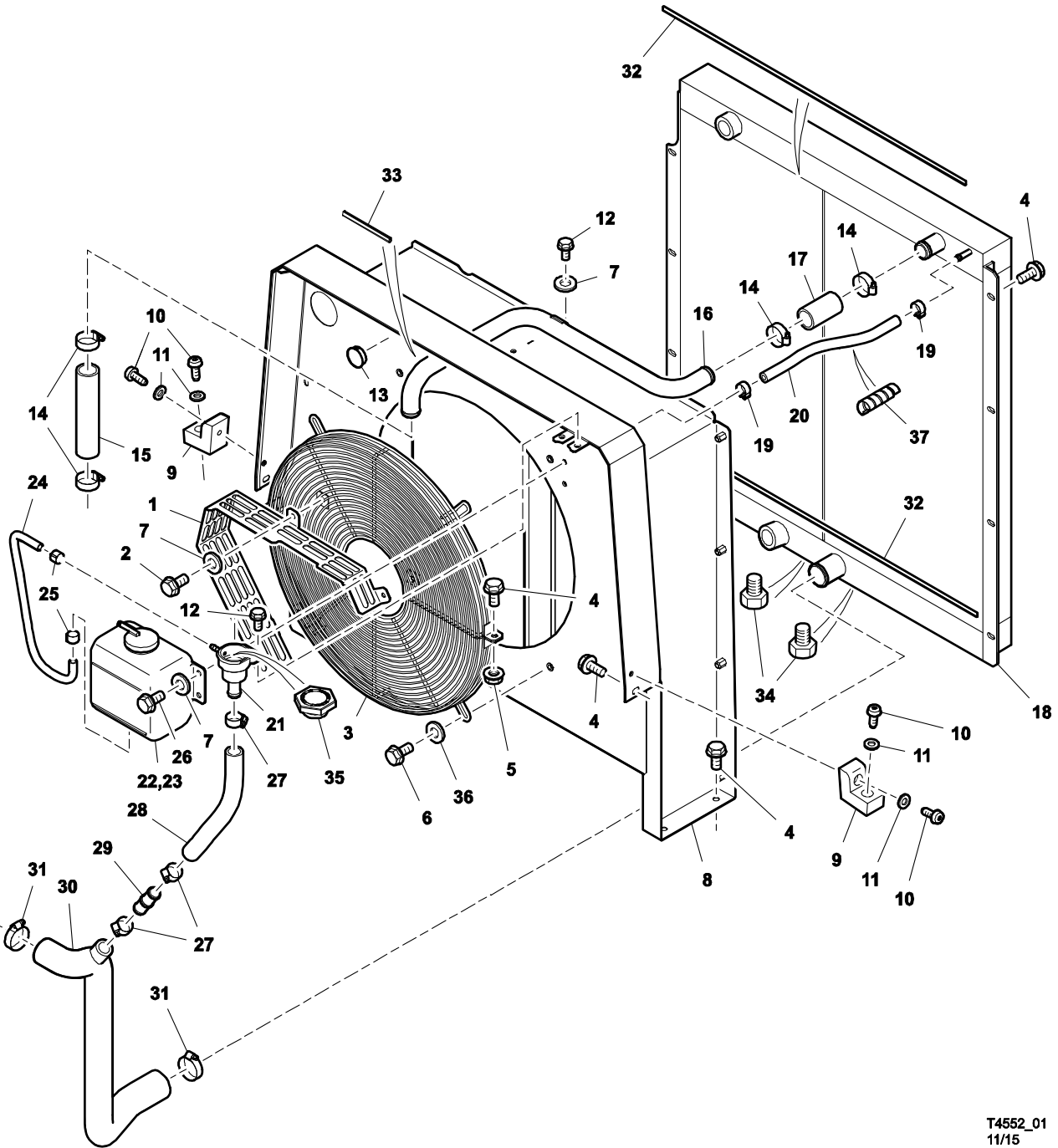


T4552\_01  
11/15

## COOLING SYSTEM (cooler and guards)

Item	Part Number	Description	Remarks	Serial Number	Qty
1	46656608	GUARD, ALTERNATOR			1
2	92184811	SCREW			3
3	46655220	GUARD, FAN			1
4	96704408	SCREW	order as required		x
5	92398114	NUT	(M8)		2
6	92398122	SCREW			4
7	95935029	WASHER			8
8	46652465	SUPPORT			1
9	92799519	PROTECTOR			2
10	46584999	SCREW			4
11	92341981	WASHER			4
12	36797652	SCREW			3
13	89297642	PLUG			2
14	92803998	CLIP, RETAINING			4
15	46502837	HOSE	0,18 m long - (28 mm ID)		1
16	46654695	PIPE			1
17	46502837	HOSE	0,08 m long - (28 mm ID)		1
18	46652851	COOLER, OIL AND WATER			1
19	22817365	CLIP, RETAINING			2
20	35363498	HOSE	0,25 m long - (8 mm (5/16") ID)		1
21	46652972	NECK, FILLER	W/Ref. 35		1
22	36884948	TANK, EXPANSION	W/Ref. 23		1
23	36136562	CAP, OVERFLOW			1
24	92111335	HOSE, TRANSPARENT	0,45 m long - (1/4" ID)		1
25	35296342	CLIP, RETAINING			2
26	36797652	SCREW			4
27	95235131	CLIP, RETAINING			3
28	46678380	HOSE			1
29	46678391	CONNECTOR			1
30	46654693	HOSE			1
31	54640453	CLIP, RETAINING			2

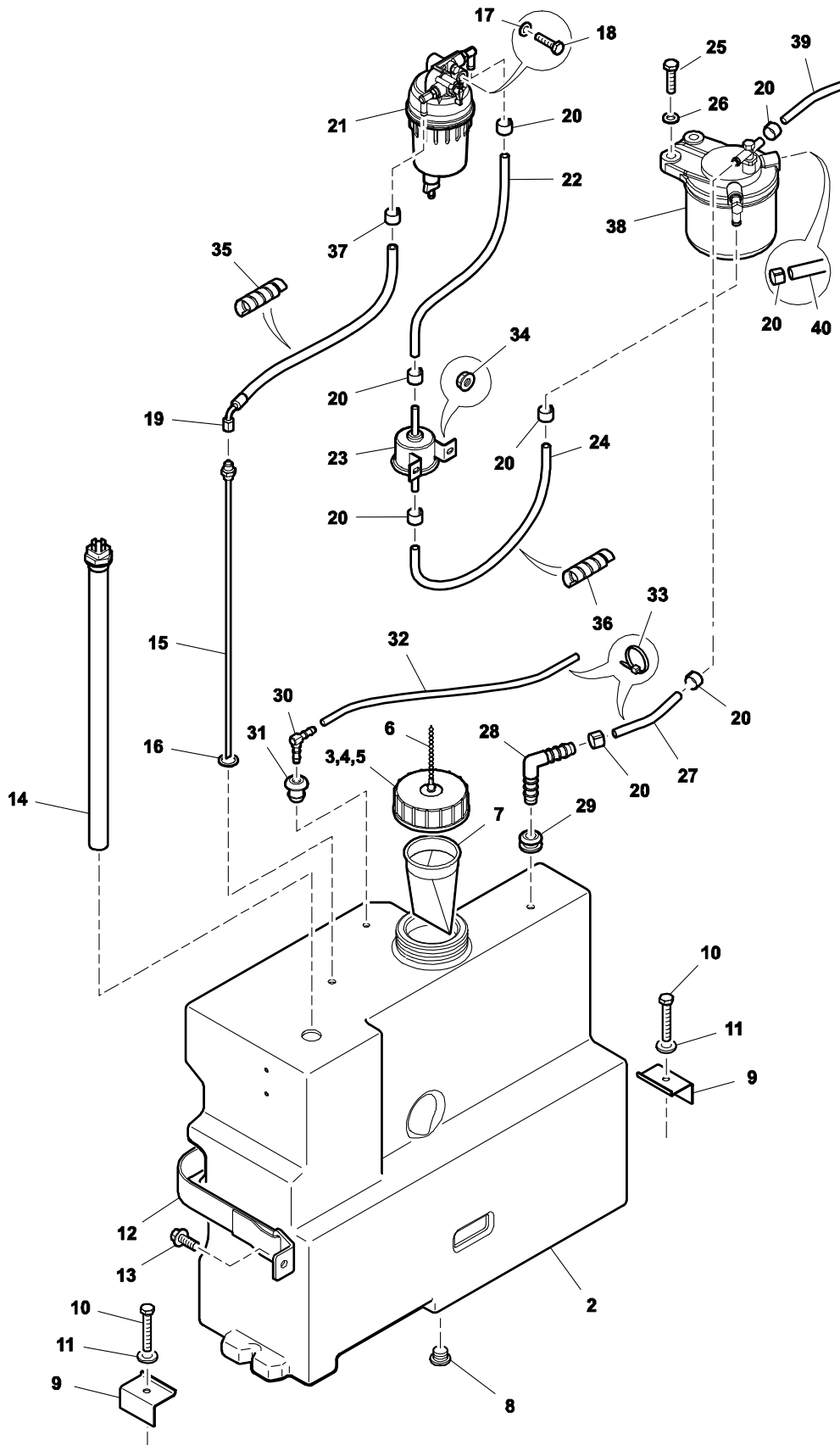
# COOLING SYSTEM (CONT'D) (cooler and guards)



T4552\_01  
11/15



# FUEL SYSTEM

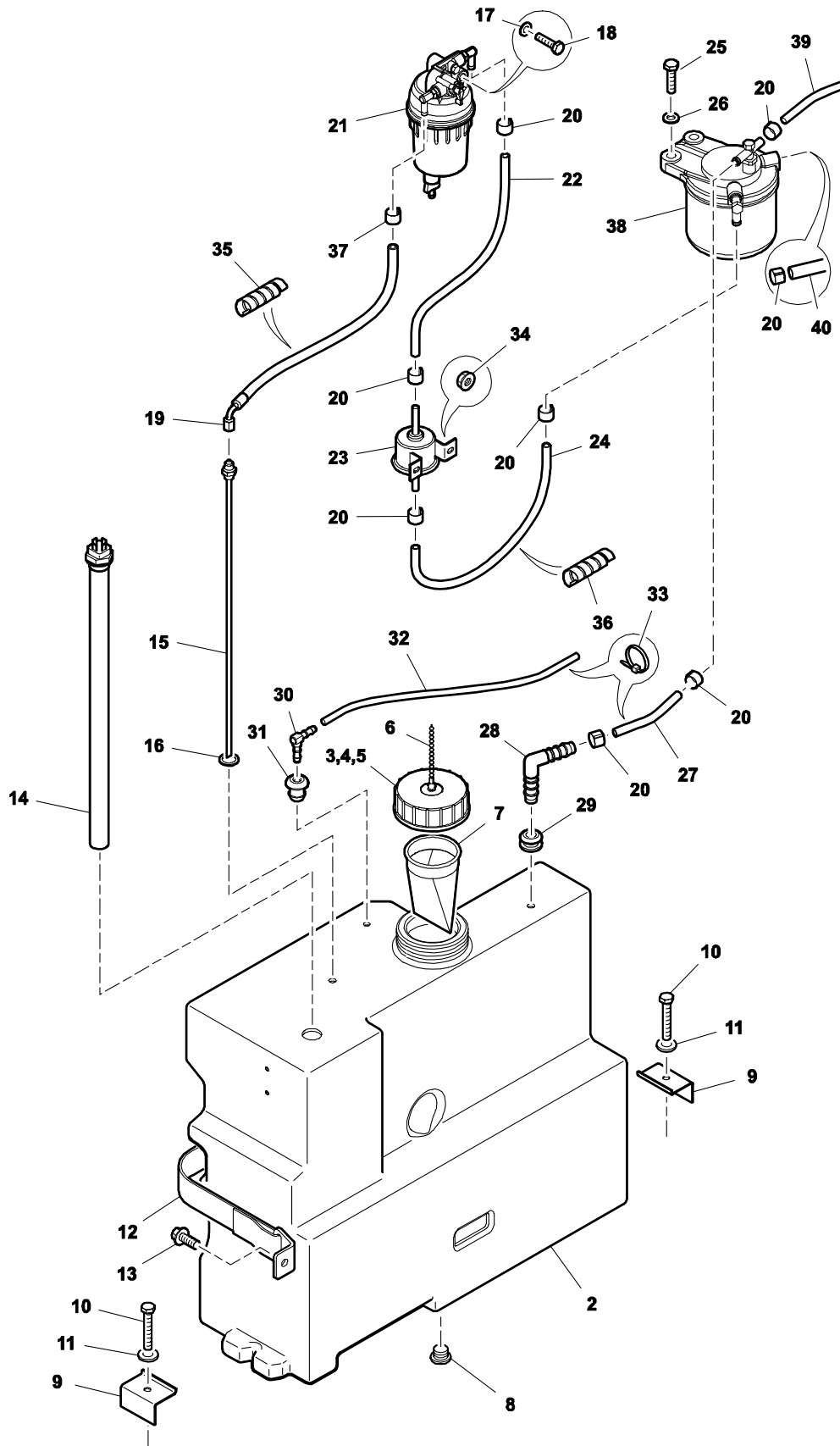


T4553\_00  
02/15

## FUEL SYSTEM

Item	Part Number	Description	Remarks	Serial Number	Qty
1	46655625	FUEL TANK ASSEMBLY	W/Ref. 2-8		1
2	46653143	TANK, FUEL			1
3	22903389	FUEL FILLER CAP ASSEMBLY	W/Ref. 4-6		1
4	54533047	CAP, FUEL FILLER			1
5	95094298	WASHER			1
6	92814243	CHAIN ASSEMBLY			1
7	46668346	STRAINER			1
8	22086730	PLUG			1
9	92857556	CLAMP			2
10	92472109	SCREW			2
11	92687664	WASHER			2
12	46655010	STRAP			1
13	92096015	SCREW			2
14	54540471	SWITCH, LOW FUEL LEVEL			1
15	54601901	DROP-TUBE			1
16	92273663	WASHER			1
17	96701396	WASHER			1
18	35288422	BOLT			1
19	46656788	HOSE			1
20	22921092	CLIP, RETAINING			9
21	46673575	SEPARATOR, WATER			1
22	35363498	HOSE	0,44 m long - (8 mm (5/16") ID)		1
23	15897077	PUMP, FUEL			1
24	35363498	HOSE	0,46 m long - (8 mm (5/16") ID)		1
25	92304351	SCREW			2
26	92061480	WASHER			2
27	35363498	HOSE	0,15 m long - (8 mm (5/16") ID)		1
28	54580154	ELBOW, BARBED			1
29	54580139	GROMMET			1
30	89257497	ELBOW, BARBED			1
31	22777759	GROMMET			1

# FUEL SYSTEM (CONT'D)

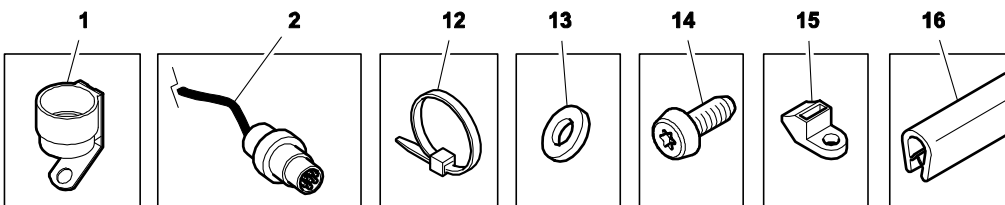
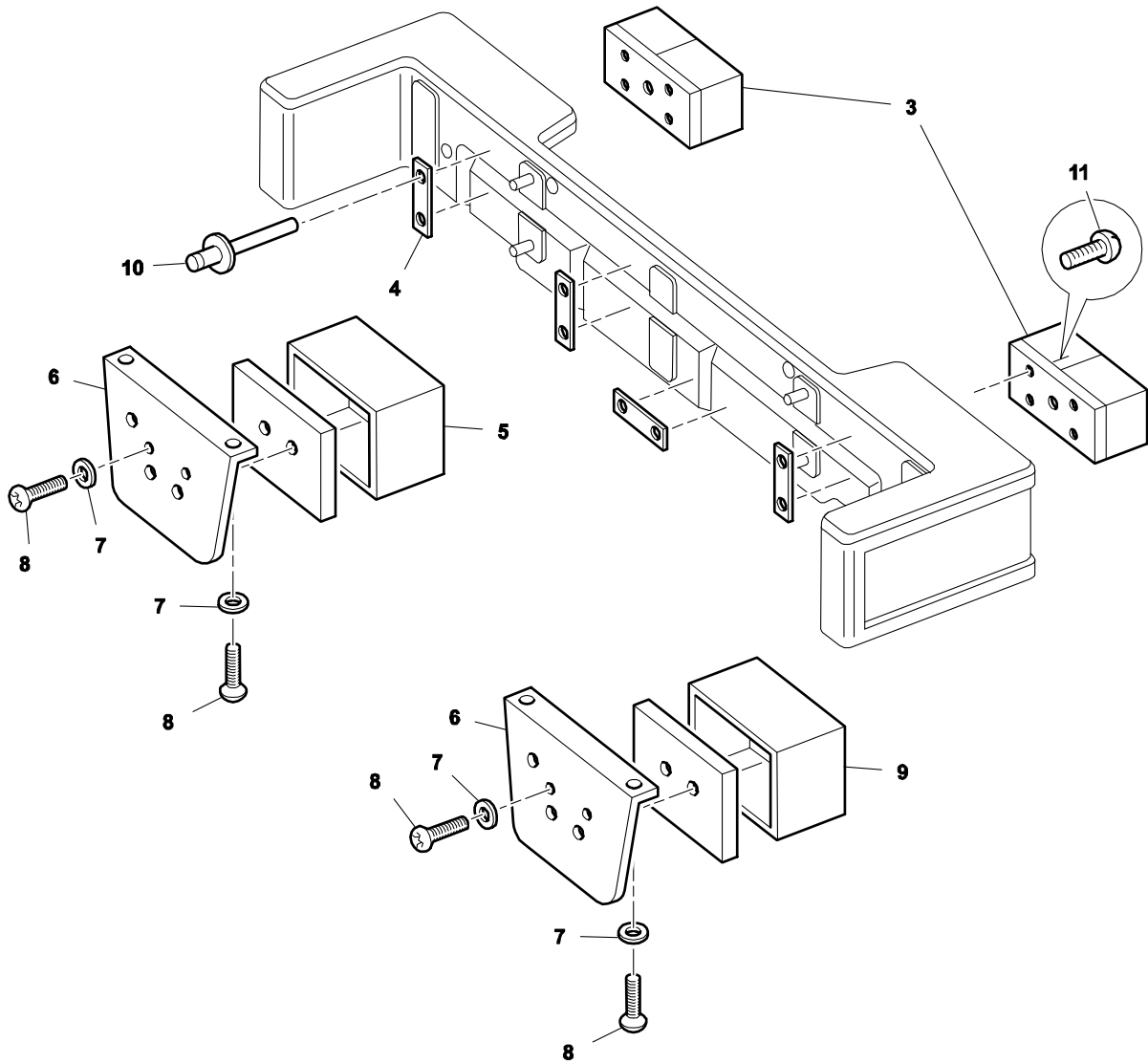


T4553\_00  
02/15





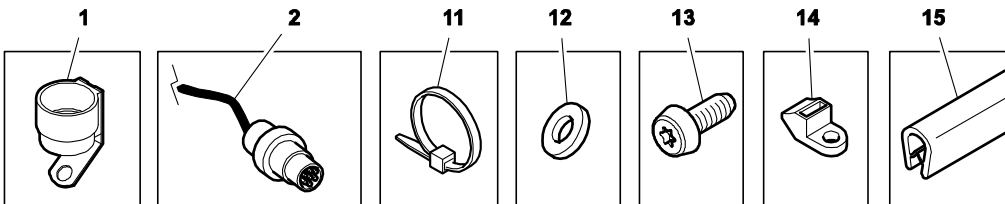
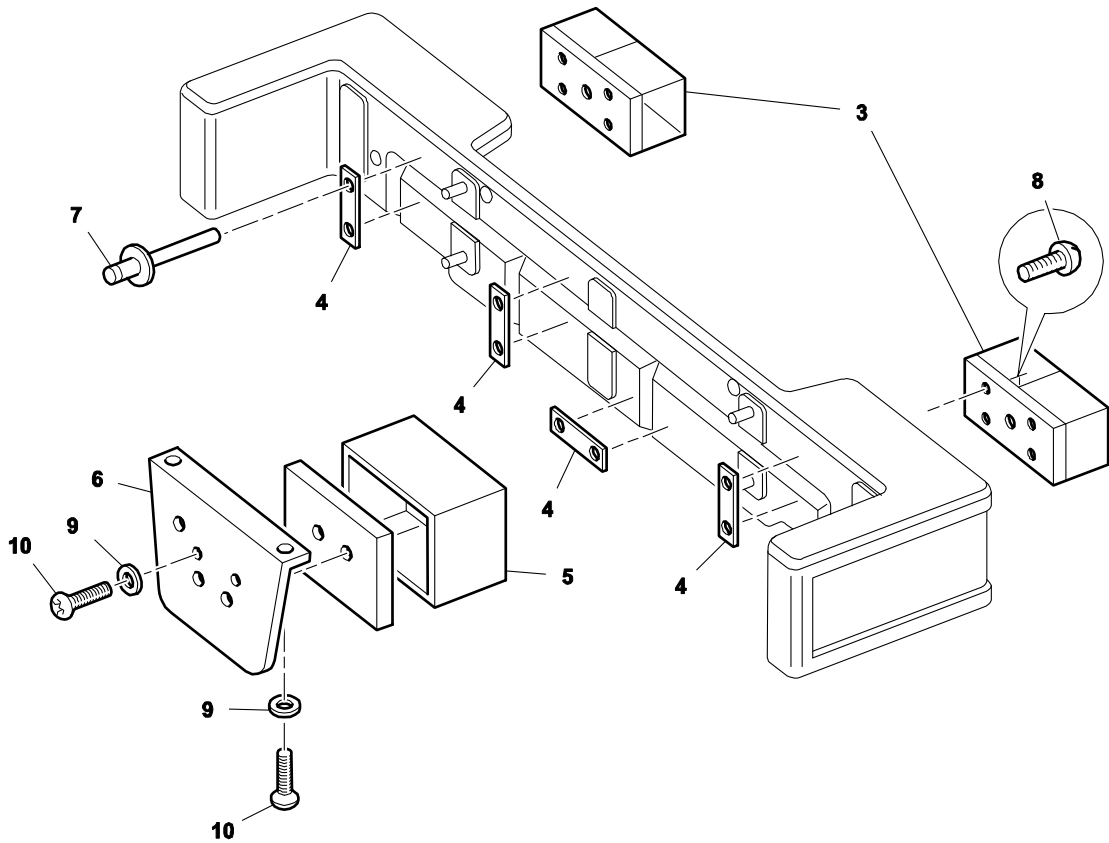
**OPTION - ROAD LIGHTS - LIGHTING ASSEMBLY  
(CE regulated countries)**



T4572\_00  
06/15



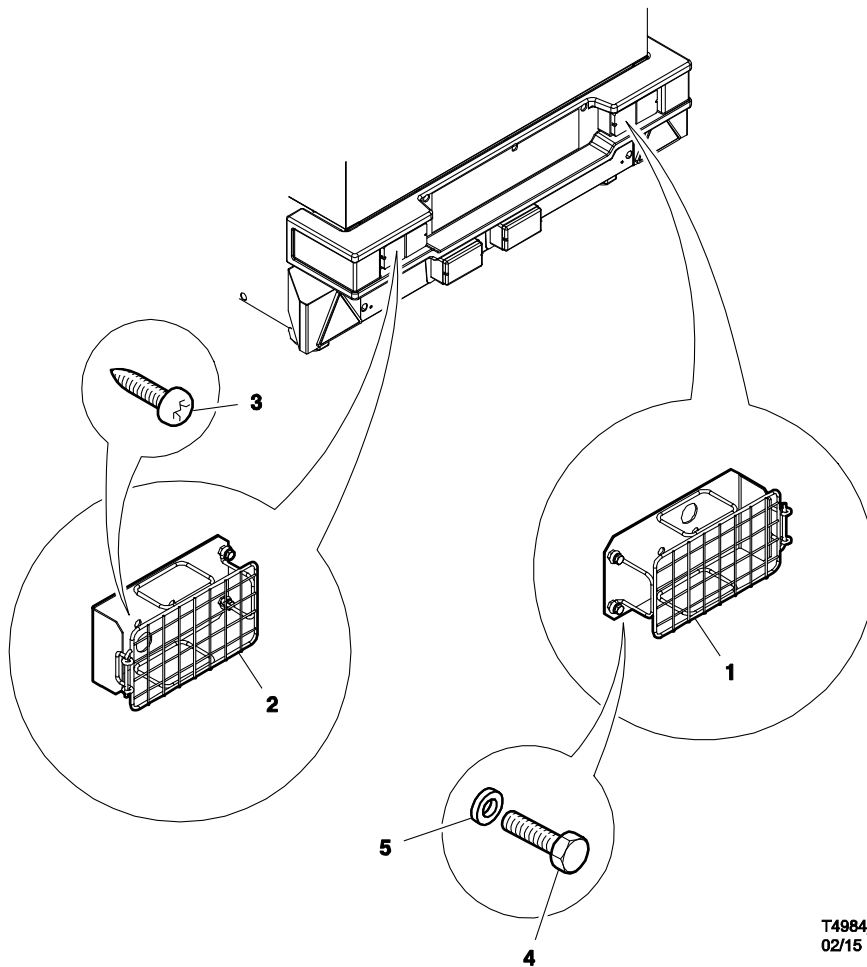
**OPTION - ROAD LIGHTS - LIGHTING ASSEMBLY**  
(non regulated countries only)



T4573\_00  
06/15



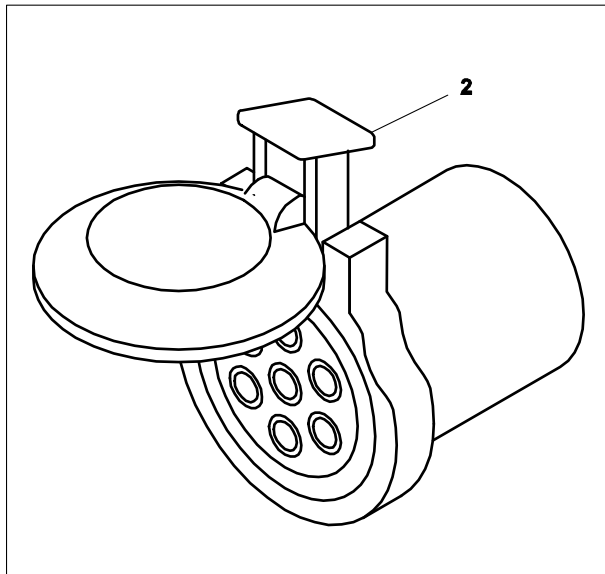
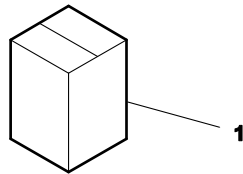
**OPTION - ROAD LIGHTS - DRIVING LIGHTS PROTECTION**



T4984\_00  
02/15



**OPTION - LIGHTING PLUG ADAPTOR  
(13 pins to 7 pins)**

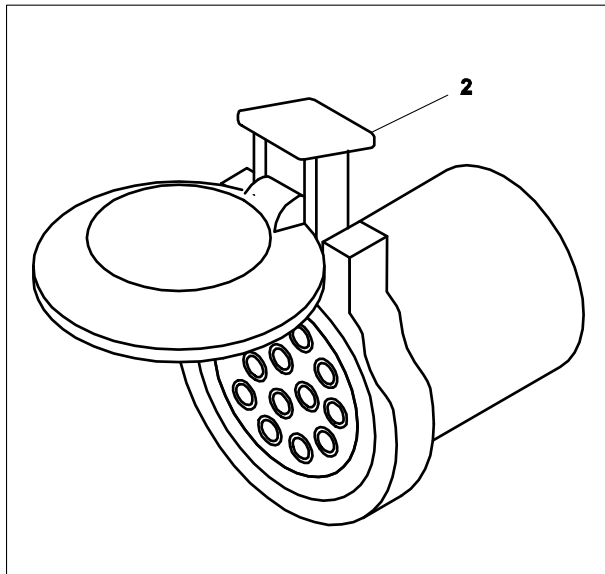
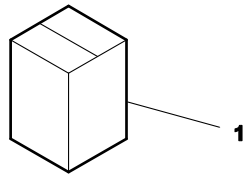


T4561\_00  
03/15





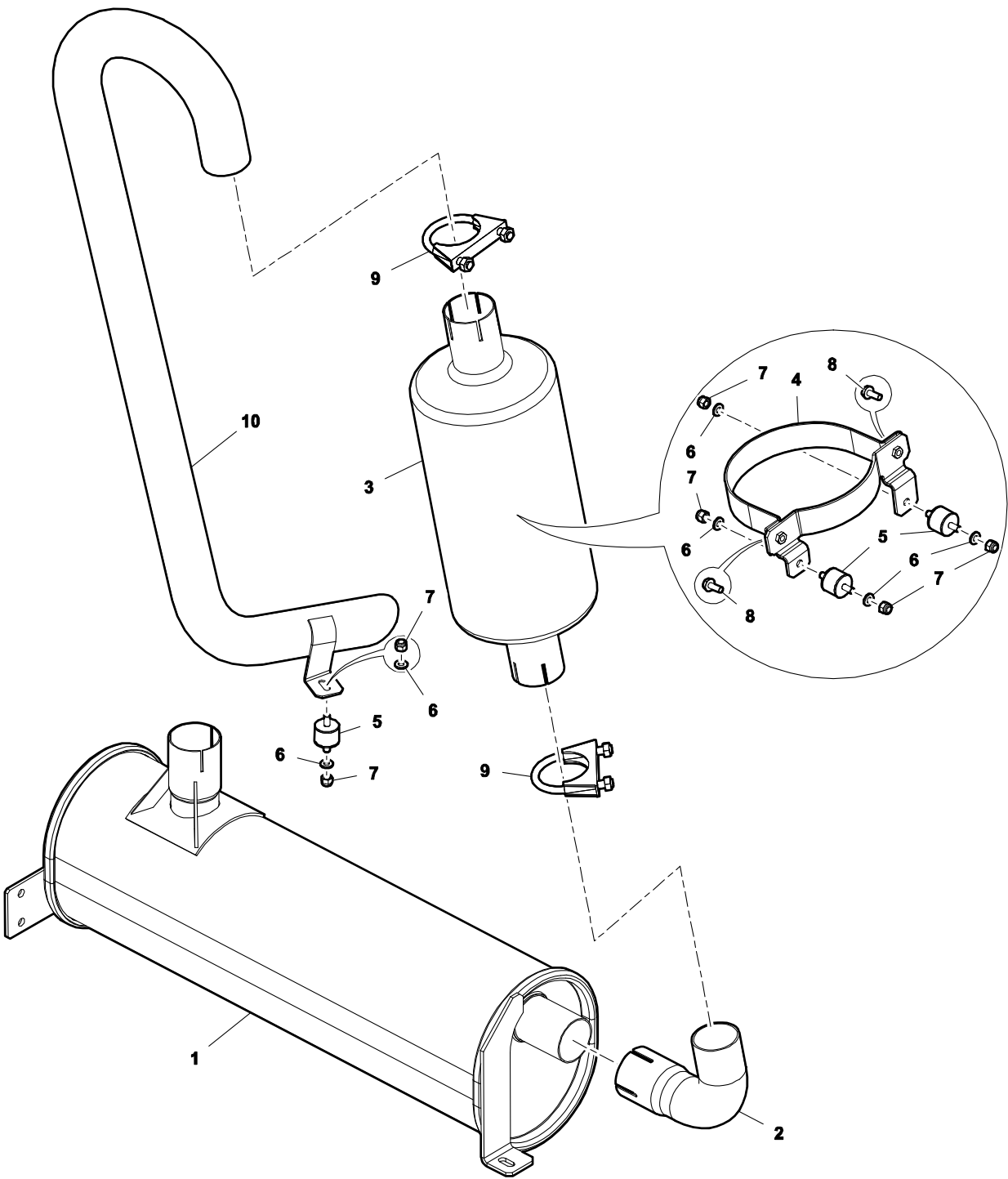
**OPTION - LIGHTING PLUG ADAPTOR  
(7 pins to 13 pins)**



T4562\_00  
03/15



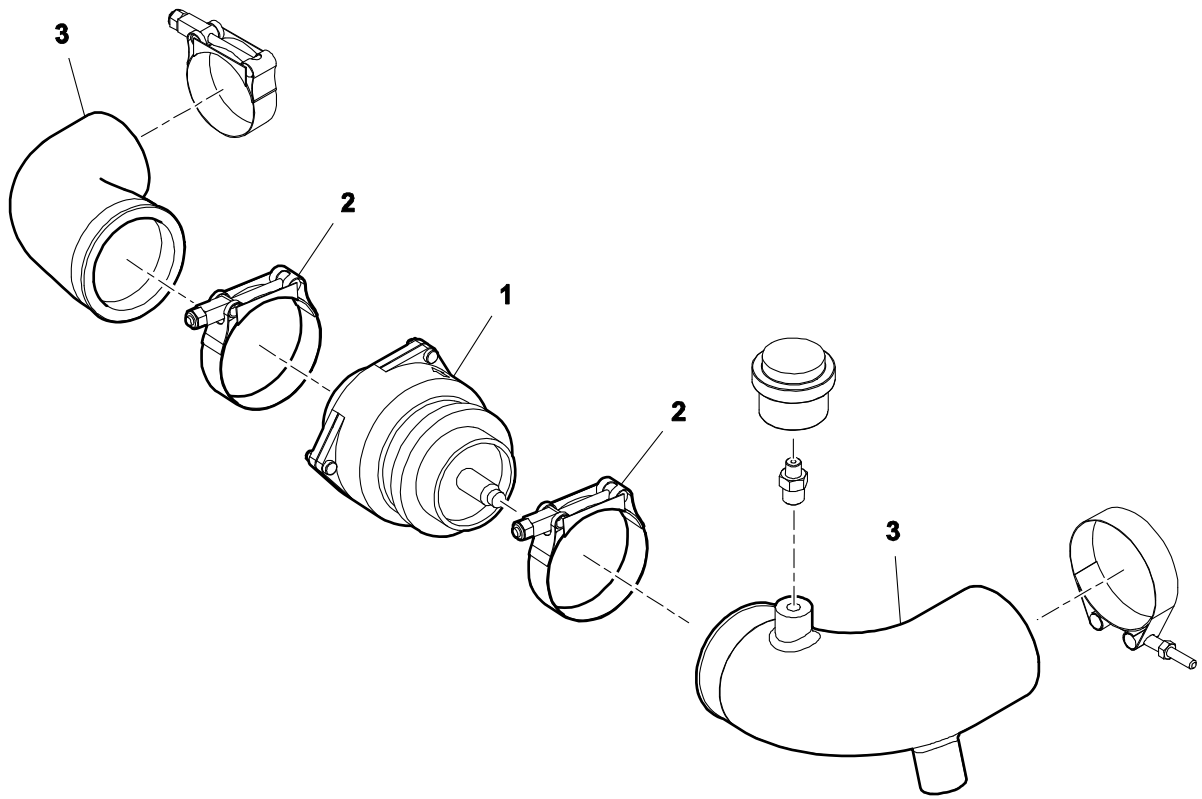
OPTION - SPARK ARRESTOR



T4526\_00  
11/15



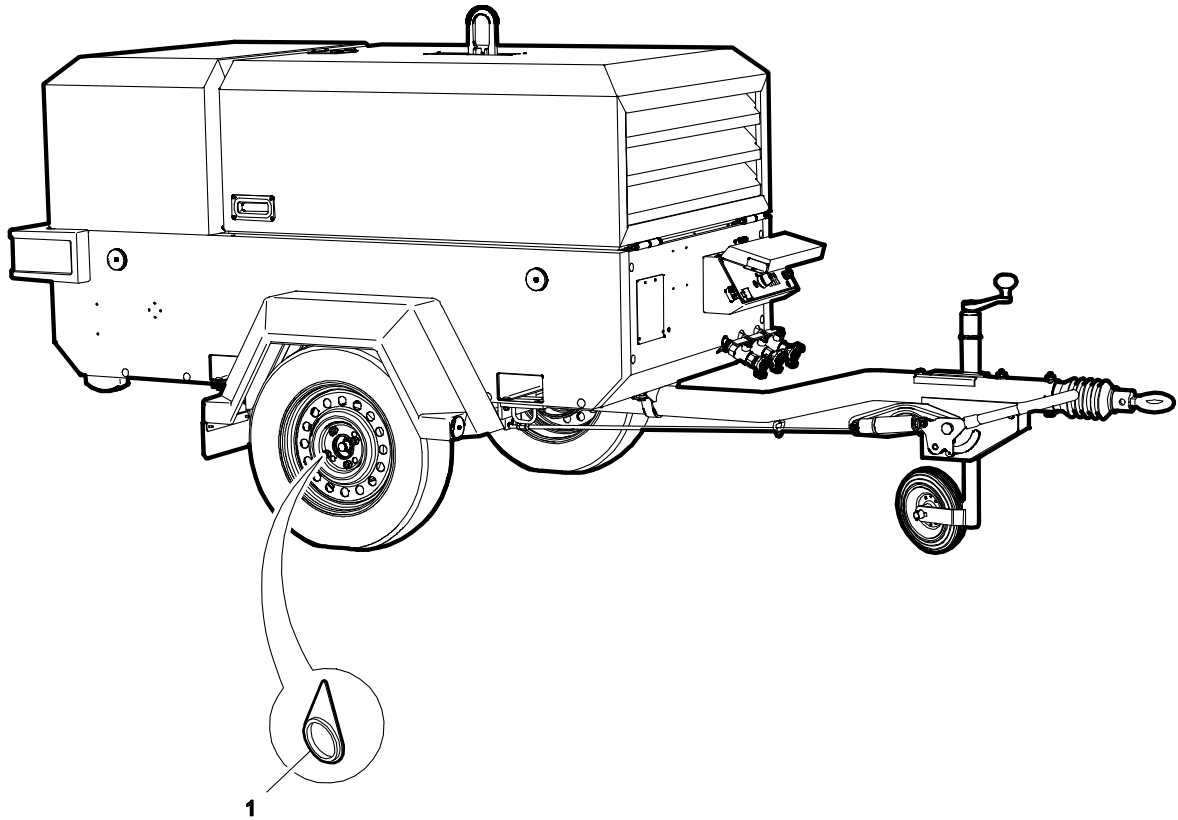
# OPTION - OVERSPEED VALVE



T4524\_00  
11/15



# OPTION - WHEEL NUT INDICATORS



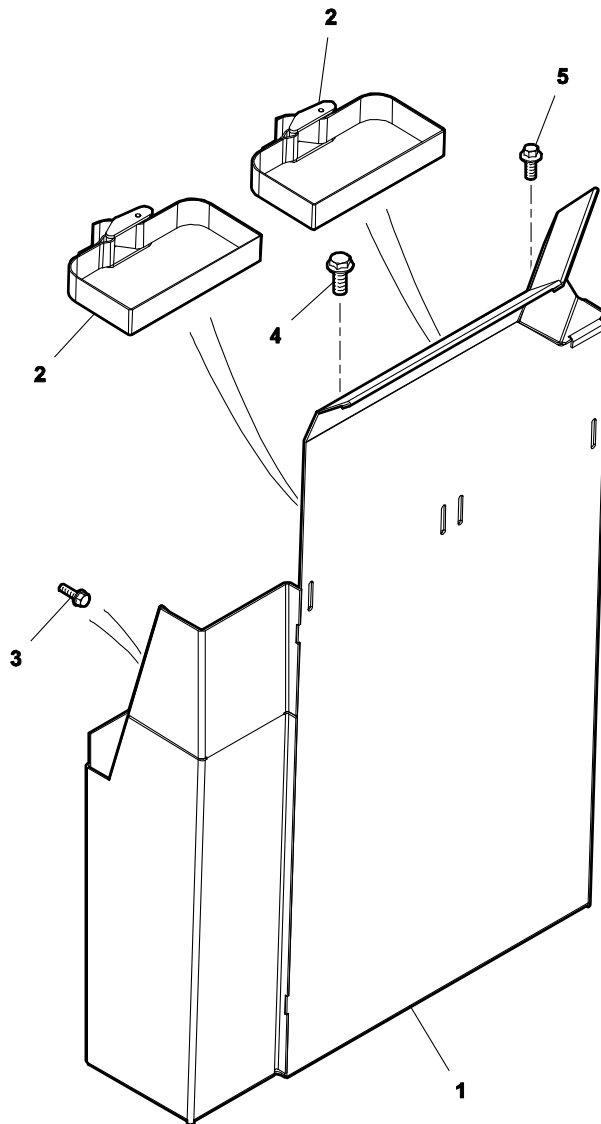
T4556\_00  
02/15



### OPTION - WHEEL NUT INDICATORS

Item	Part Number	Description	Remarks	Serial Number	Qty
1	23128507	INDICATOR, WHEEL NUT			8

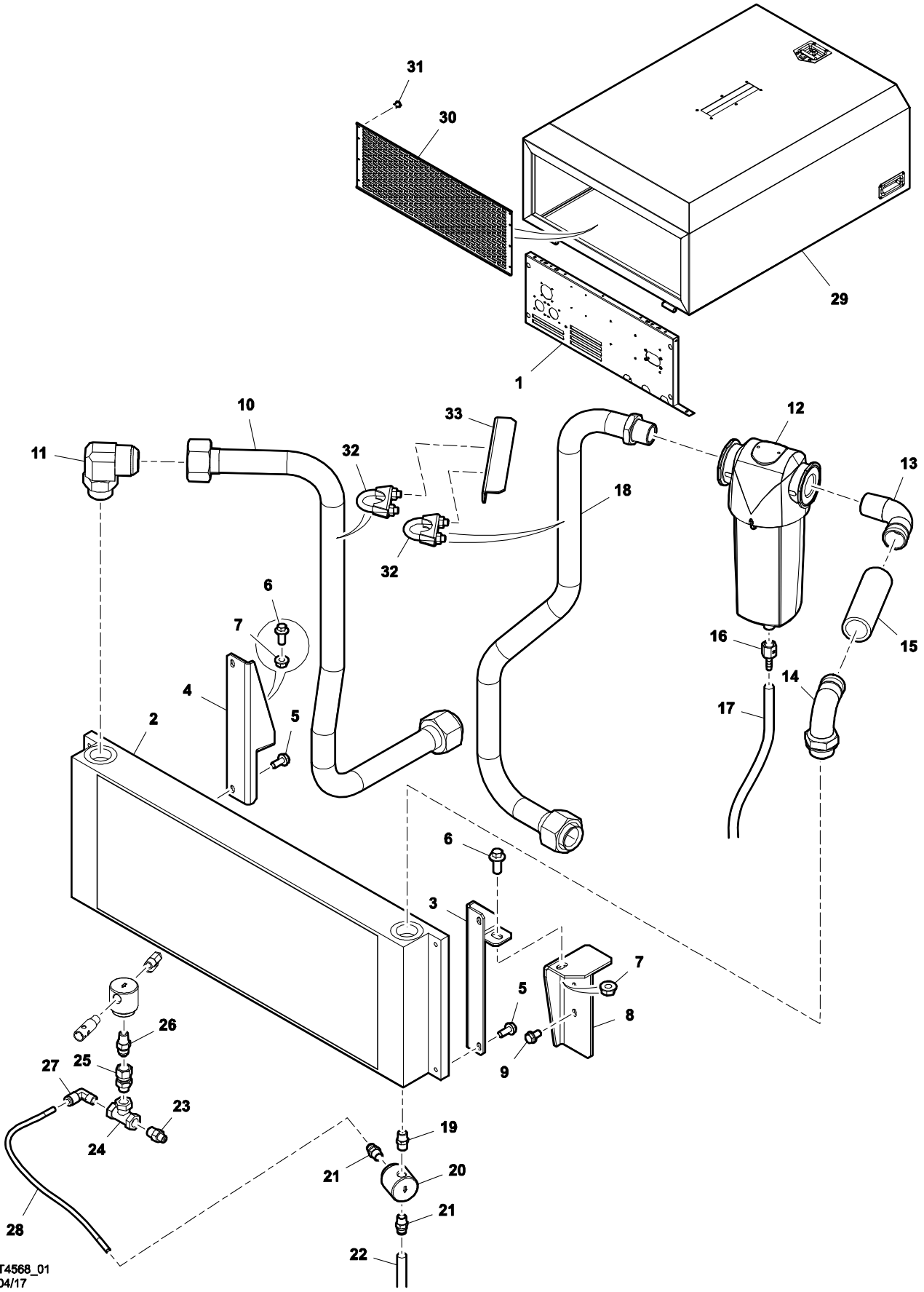
# OPTION - TOOLBOX



T4557\_00  
02/15



# OPTION - AFTERCOOLER

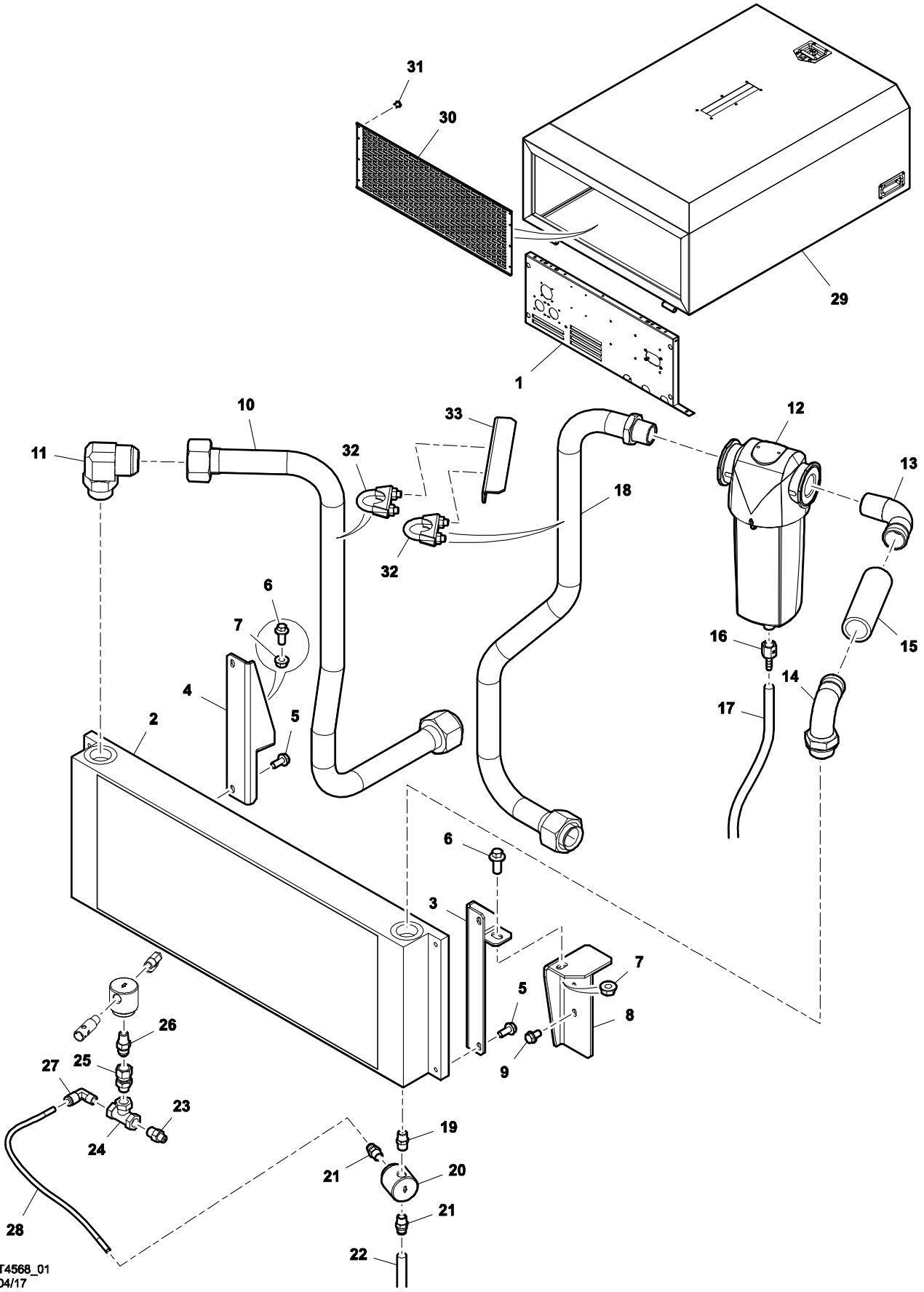


T4568\_01  
04/17

## OPTION - AFTERCOOLER

Item	Part Number	Description	Remarks	Serial Number	Qty
1	46674980	PANEL			1
2	93465896	AFTERCOOLER			1
3	46674624	BRACKET			1
4	46674625	BRACKET			1
5	92096015	SCREW			4
6	96704408	SCREW			2
7	36881886	NUT			2
8	46674626	BRACKET			1
9	92184811	SCREW			2
10	46694318	TUBE ASSEMBLY			1
11	92902352	ELBOW			1
12	92902352	ELBOW			1
13	46666589	ELBOW			1
14	46666588	ELBOW			1
15	22307771	HOSE	0,16 m long - (31 mm OD)		1
16	46541231	CONNECTOR			1
17	92111335	HOSE, TRANSPARENT	0,8 m long - (1/4" ID)		1
18	46694462	TUBE ASSEMBLY			1
19	46594601	CONNECTOR, ORIFICE			1
20	54748363	VALVE, BLOWDOWN			1
21	92788959	ADAPTOR			2
22	92490358	TUBE, NYLON	0,63 m long - (6 mm OD)		1
23	92795194	NIPPLE			1
24	92354729	TEE			1
25	93152593	ADAPTOR			1
26	92478387	ADAPTOR			1
27	54403266	ELBOW			1
28	92490358	TUBE, NYLON	0,63 m long - (6 mm OD)		1
29	46666626	CANOPY ASSEMBLY	W/Ref. 30-31		1
29	46652466	CANOPY, PAINTED			1
30	46666628	PANEL			1

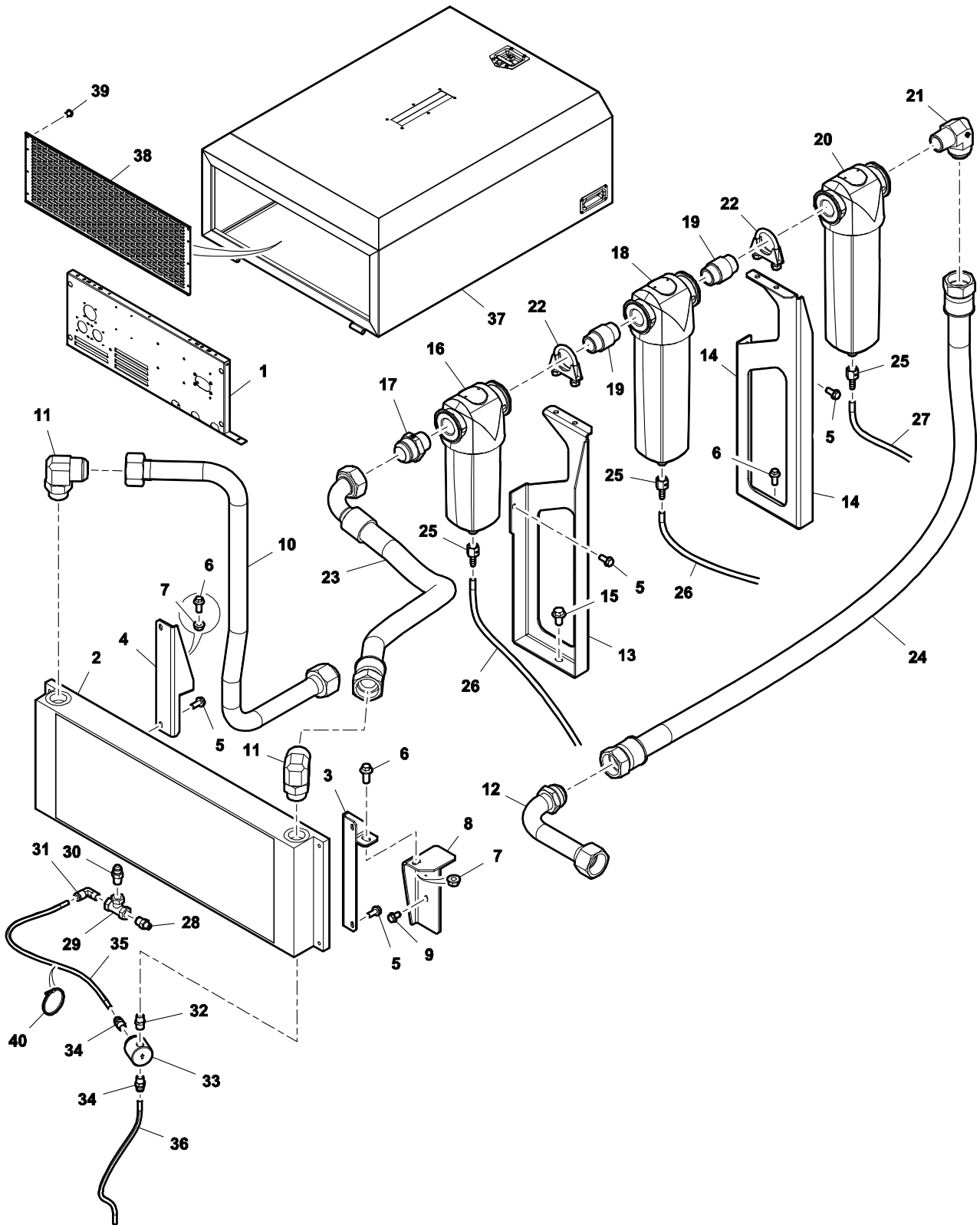
# OPTION - AFTERCOOLER (CONT'D)



T4568\_01  
04/17



# OPTION - AFTERCOOLER WITH FILTERS



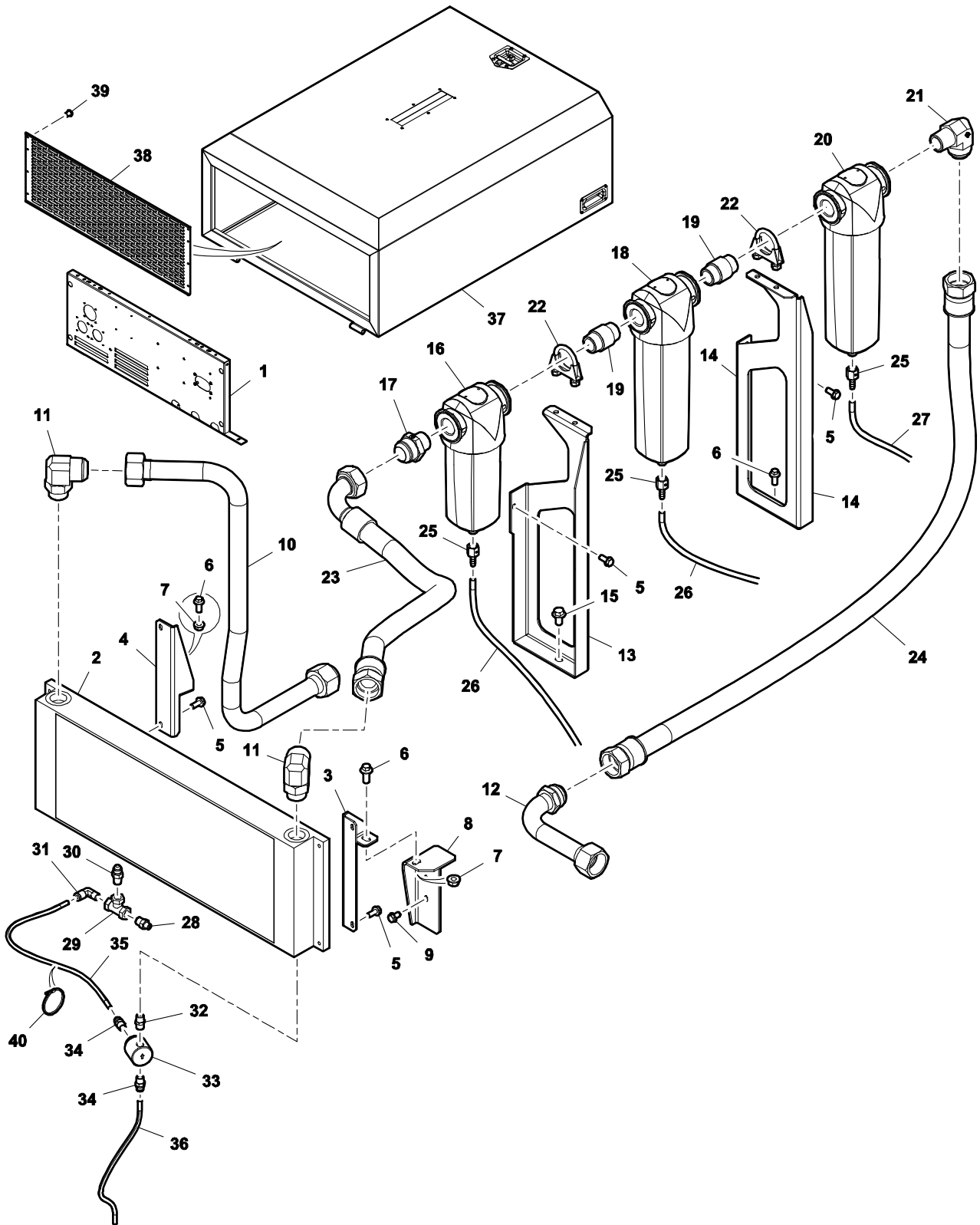
T4518\_00  
04/17



## OPTION - AFTERCOOLER WITH FILTERS

Item	Part Number	Description	Remarks	Serial Number	Qty
1	46674980	PANEL			1
2	93465896	AFTERCOOLER			1
3	46674624	BRACKET			1
4	46674625	BRACKET			1
5	92096015	SCREW			6
6	96704408	SCREW			3
7	36881886	NUT			2
8	46674626	BRACKET			1
9	92184811	SCREW			2
10	46694318	TUBE ASSEMBLY			1
11	92902352	ELBOW			2
12	46694403	TUBE ASSEMBLY			1
13	46690814	BRACKET			1
14	46690790	BRACKET			1
15	92472638	SCREW			1
16	46539789	SEPARATOR, WATER			1
17	46552106	CONNECTOR, MALE STUD			1
18	46540720	FILTER, PRIME			1
19	46551699	NIPPLE			2
20	46540712	FILTER, FINE			1
21	46551577	ELBOW			1
22	92909258	U-BOLT			2
23	54668736	HOSE ASSEMBLY			1
24	35130053	HOSE			1
25	46541231	CONNECTOR			3
26	92111335	HOSE, TRANSPARENT	0,75 m long - (1/4" ID)		1
27	92111335	HOSE, TRANSPARENT	0,7 m long - (1/4" ID)		2
28	92795194	NIPPLE			1
29	92354729	TEE			1
30	92478387	ADAPTOR			1
31	54403266	ELBOW			1

# OPTION - AFTERCOOLER WITH FILTERS (CONT'D)

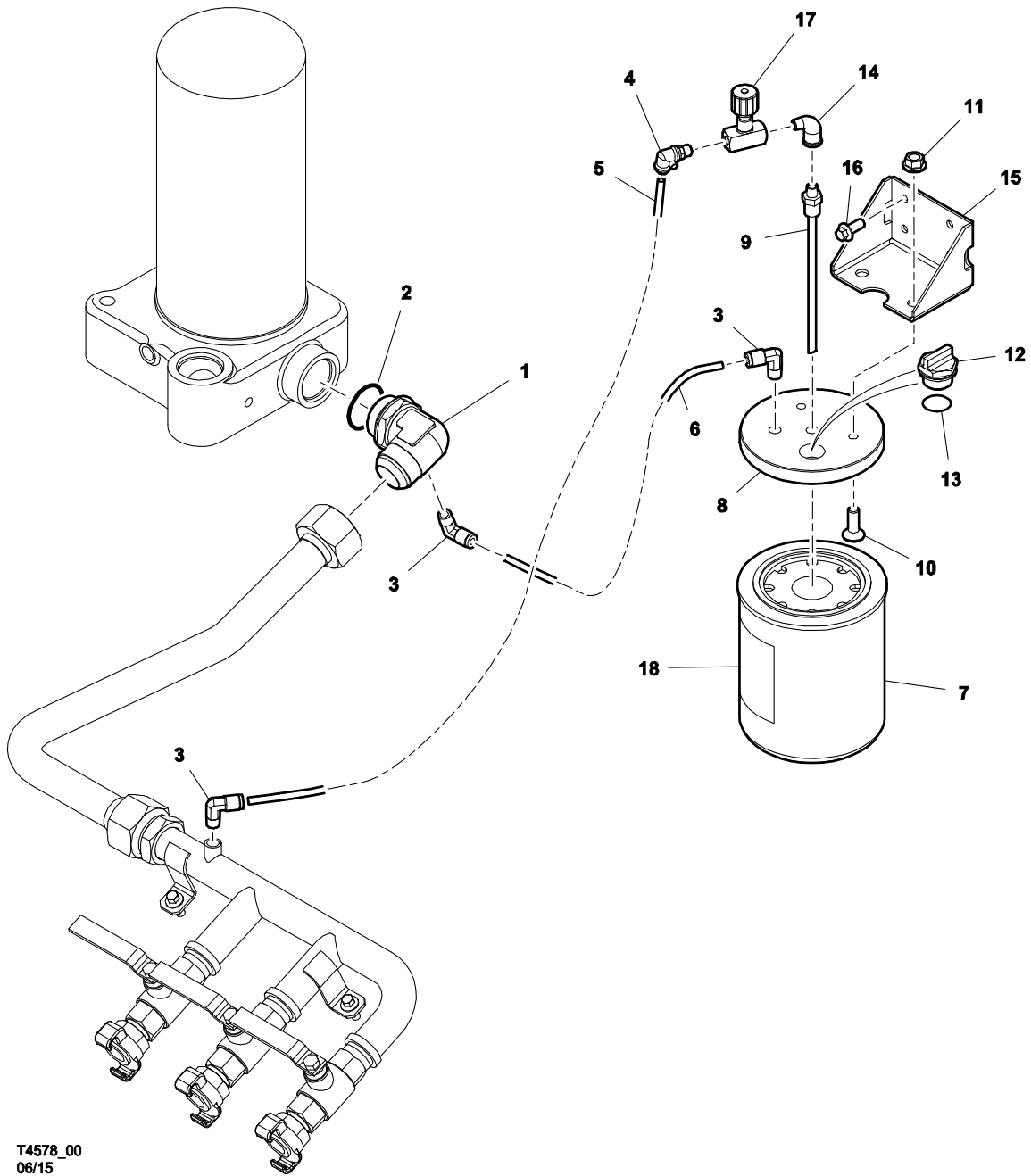


T4518\_00  
04/17

**OPTION - AFTERCOOLER WITH FILTERS (CONT'D)**

Item	Part Number	Description	Remarks	Serial Number	Qty
32	46594601	CONNECTOR, ORIFICE			1
33	54748363	VALVE, BLOWDOWN			1
34	92788959	ADAPTOR			2
35	92490358	TUBE, NYLON	0,63 m long - (6 mm OD)		1
36	92490358	TUBE, NYLON	0,6 m long - (6 mm OD)		1
37	46666626	CANOPY ASSEMBLY	W/Ref. 38-39		1
37	46652466	CANOPY, PAINTED			1
38	46666628	PANEL			1
39	54756317	RIVET			8
40	92281427	TIE, CABLE			1

# OPTION - LUBRICATOR

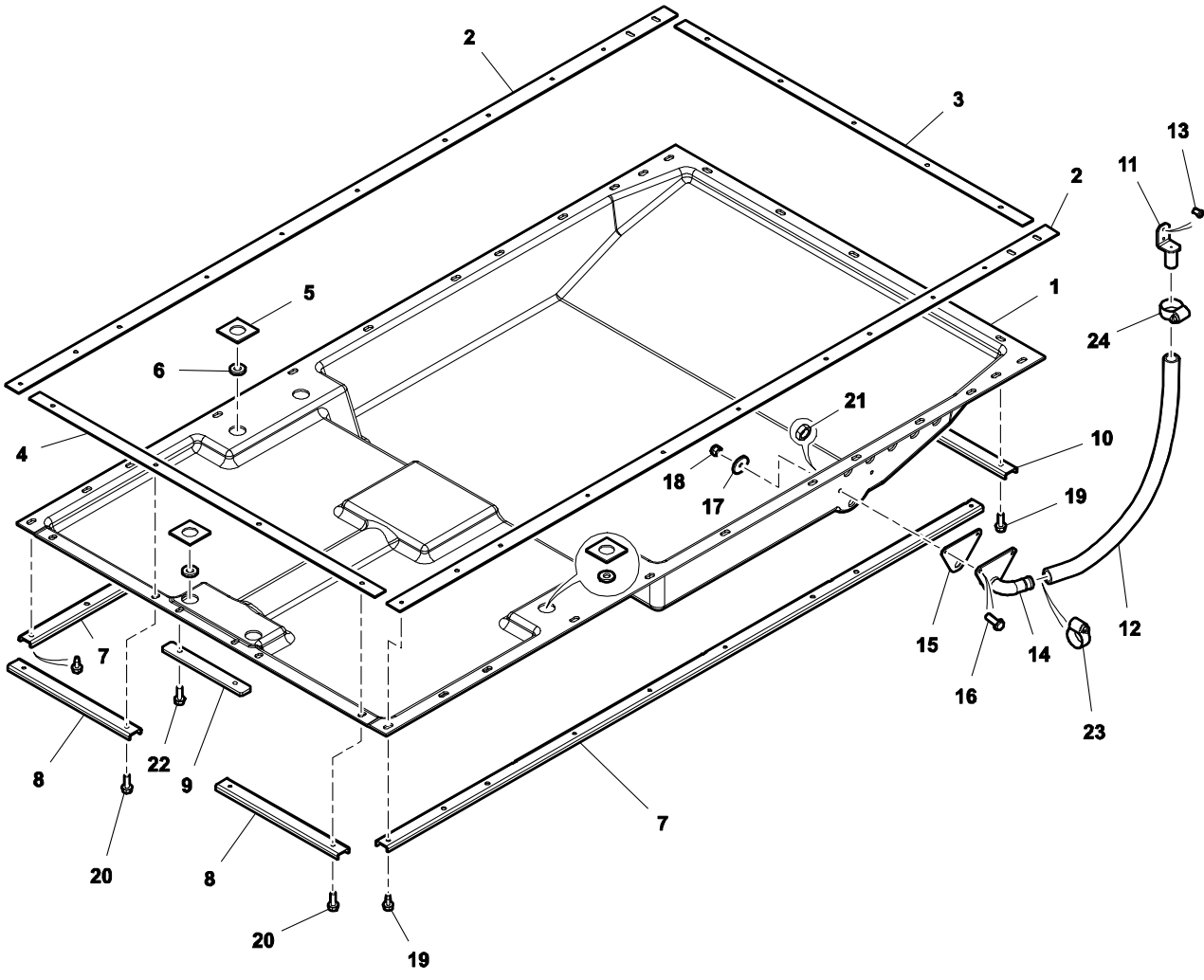


T4578\_00  
06/15

## OPTION - LUBRICATOR

Item	Part Number	Description	Remarks	Serial Number	Qty
1	46674241	ELBOW			1
2	35279942	O-RING			1
3	54403266	ELBOW			3
4	54403209	ELBOW			1
5	92490358	TUBE, NYLON	1,4 m long - (6 mm OD)		1
6	92490358	TUBE, NYLON	1,5 m long - (6 mm OD)		1
7	92919380	HOUSING			1
8	92919398	HEAD			1
9	92911288	TUBE			1
10	92896158	SCREW			2
11	92473594	NUT			2
12	92919810	PLUG			1
13	22307433	SEAL			1
14	92185016	ELBOW			1
15	46678355	BRACKET			1
16	92398122	SCREW			4
17	92919554	VALVE			1
18	93163897	DECAL	(en, de, fr)		1

**OPTION - BUNDED BASE**  
**(includes central drains)**

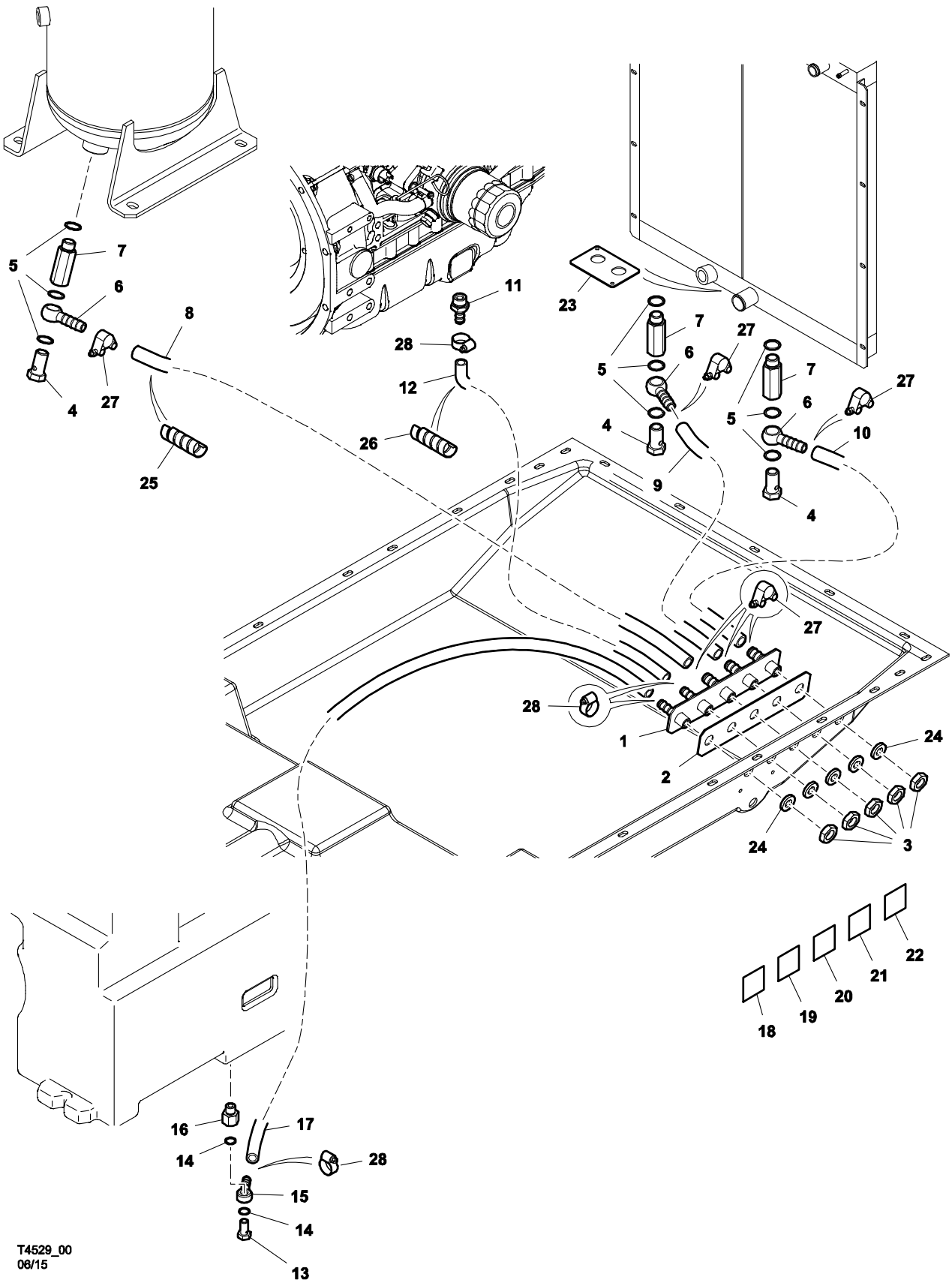


T4528\_00  
06/15

**OPTION - BUNDED BASE  
(includes central drains)**

Item	Part Number	Description	Remarks	Serial Number	Qty
1	46663842	SUMP			1
2	46669134	SEAL			2
3	46669135	SEAL			1
4	46669136	SEAL			1
5	46676780	SEAL			6
6	46664263	WASHER			6
7	46663843	STRIP, STRENGTHENING			2
8	46663844	STRIP, STRENGTHENING			2
9	46677309	STRIP, STRENGTHENING			1
10	46664230	STRIP, STRENGTHENING			1
11	46666160	SUPPORT			1
12	46679455	HOSE			1
13	92863679	RIVET			2
14	46669678	CONNECTOR, BULKHEAD			1
15	46674979	GASKET			1
16	92398122	SCREW			2
17	92304591	WASHER			2
18	92829316	NUT			2
19	96738695	SCREW			17
20	36898096	SCREW			4
21	46668082	NUT			1
22	92179043	SCREW			2
23	95220844	CLAMP			1
24	46502795	CLAMP			1
25	36877793	SCREW	(non running gear options only)		4
26	92058429	WASHER	(non running gear options only)		4
27	36889608	SCREW	(non running gear options only) - (M8-1.25 x 25)		4
28	92687664	WASHER	(non running gear options only)		4

# OPTION - CENTRAL DRAINS



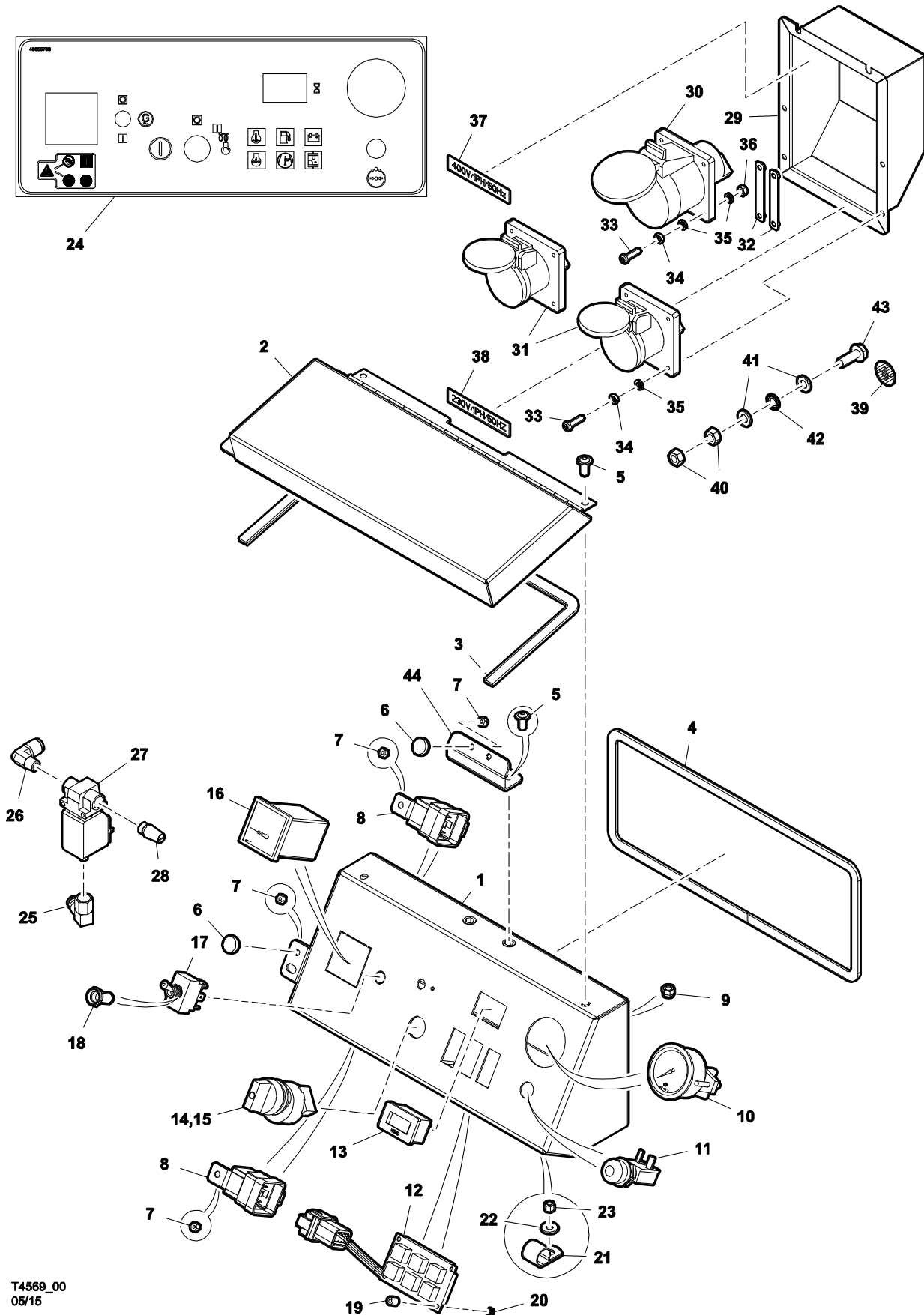
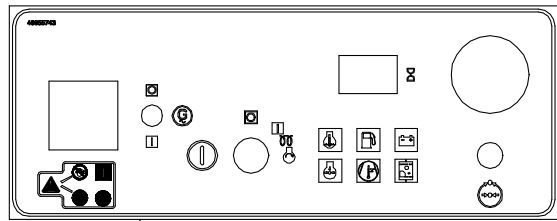
T4529\_00  
06/15



## OPTION - CENTRAL DRAINS

Item	Part Number	Description	Remarks	Serial Number	Qty
1	46664303	MANIFOLD			1
2	46666147	SEAL			1
3	46668085	NUT			5
4	23275555	BOLT, BANJO			3
5	23174931	RING, COPPER			9
6	23190549	FITTING, BANJO			3
7	23291669	SPACER			3
8	23287758	HOSE	1,7 m long - (16 mm ID)		1
9	23287758	HOSE	0,72 m long - (16 mm ID)		1
10	23291693	HOSE	0,68 m long - (13 mm ID)		1
11	46678002	FITTING			1
12	23287758	HOSE	0,68 m long - (16 mm ID)		1
13	23276306	BOLT, BANJO			1
14	23344088	WASHER, COPPER			2
15	23344146	FITTING, BANJO			1
16	23284169	SPACER			1
17	23287766	HOSE	1,62 m long - (13 mm ID)		1
18	54629977	DECAL, ISO CENTRAL DRAIN	(fuel tank drain) 'D'		1
19	54629977	DECAL, ISO CENTRAL DRAIN	(engine oil drain) 'C'		1
20	54629977	DECAL, ISO CENTRAL DRAIN	(separator tank drain) 'G'		1
21	54629977	DECAL, ISO CENTRAL DRAIN	(compressor coolant drain) 'F'		1
22	54629977	DECAL, ISO CENTRAL DRAIN	(engine coolant drain) 'B'		1
23	46679454	COVER			1
24	95935011	WASHER			5
25	46679461	PROTECTOR, HOSE	0,2 m long		1
26	46679461	PROTECTOR, HOSE	0,1 m long		1
27	23305279	CLAMP, T-BOLT			6
28	95264776	CLAMP			4

# OPTION - GENERATOR (400V)

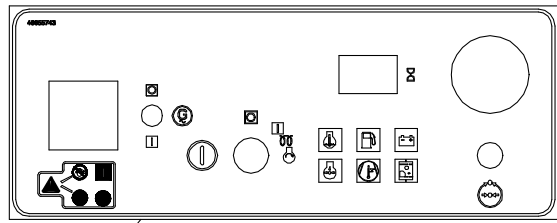


T4569\_00  
05/15

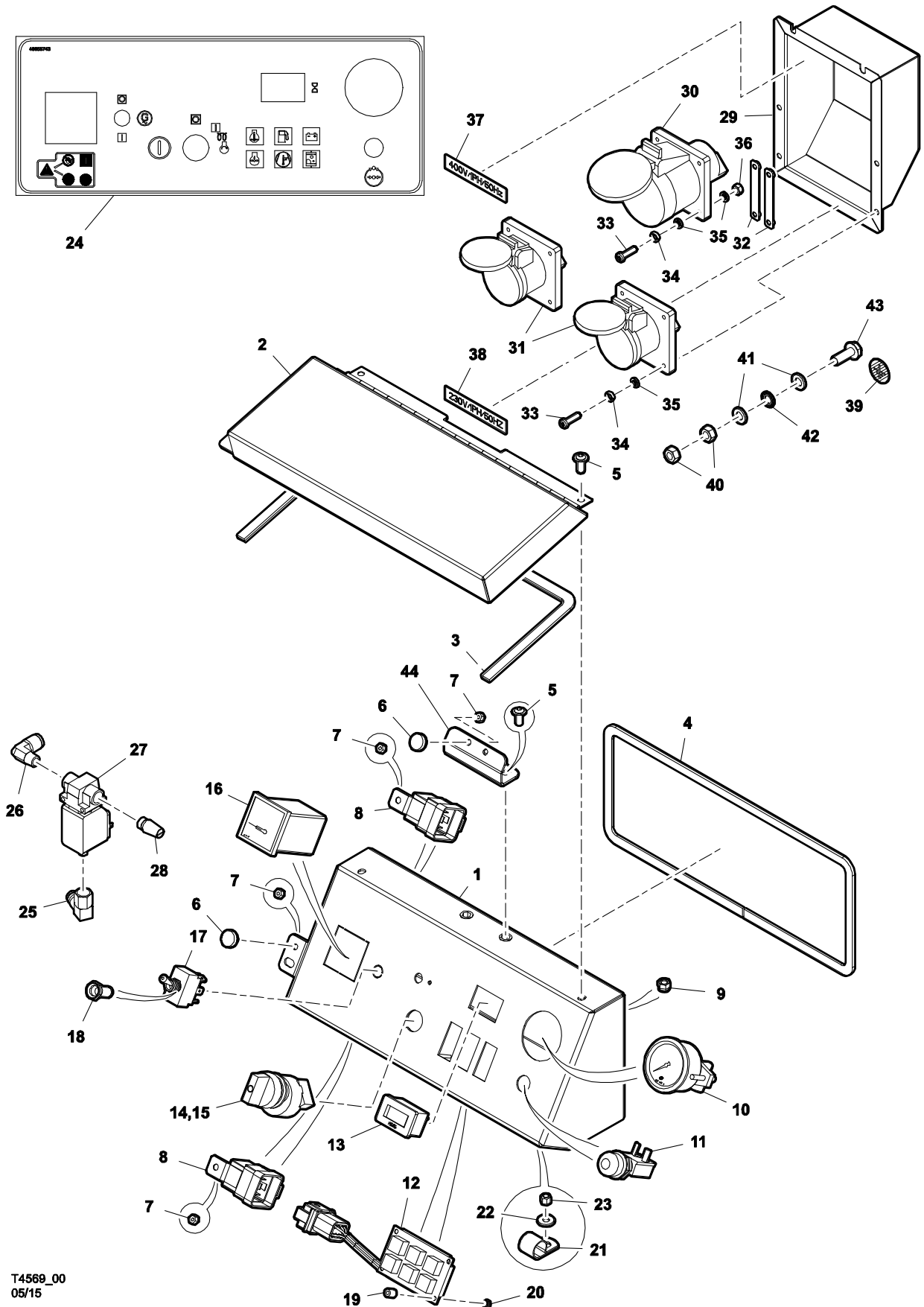
**OPTION - GENERATOR  
(400V)**

Item	Part Number	Description	Remarks	Serial Number	Qty
1	46674080	CONTROL PANEL ASSEMBLY	W/Ref. 2-28		1
2	46656741	COVER, INSTRUMENT PANEL			1
3	22617666	SEAL	(0,59)		1
4	22617666	SEAL	(0,88)		1
5	23330491	SCREW			4
6	46570661	HOLDER, DOOR			3
7	46541223	NUT			5
8	36878361	RELAY, WEATHERPROOF	(12 V)		2
9	92829316	NUT			2
10	92790187	GAUGE, PRESSURE			1
11	35255553	BUTTON, START / RUN	(load button)		1
12	46653284	LED PANEL ASSEMBLY			1
13	46557109	HOURMETER			1
14	22127385	SWITCH, START			1
15	22134118	KNOB ASSEMBLY			1
16	89231005	VOLTMETER	(0 - 600 V)		1
17	23303928	SWITCH	(alternator enabled)		1
18	22932941	BOOT, WATERPROOF			1
19	46653286	BUSH			4
20	92340371	NUT			4
21	35225077	CLAMP			1
22	95935029	WASHER			1
23	96704580	NUT			1
24	46655743	DECAL, CONTROL PANEL			1
25	92799444	ELBOW			1
26	92799386	ELBOW			1
27	92855675	VALVE, SOLENOID	(alternator run solenoid)		1
28	92089556	SILENCER			1
29	46598459	BOX, SOCKET			1
30	46622142	SOCKET			1
31	46540993	SOCKET			2

# OPTION - GENERATOR (CONT'D) (400V)



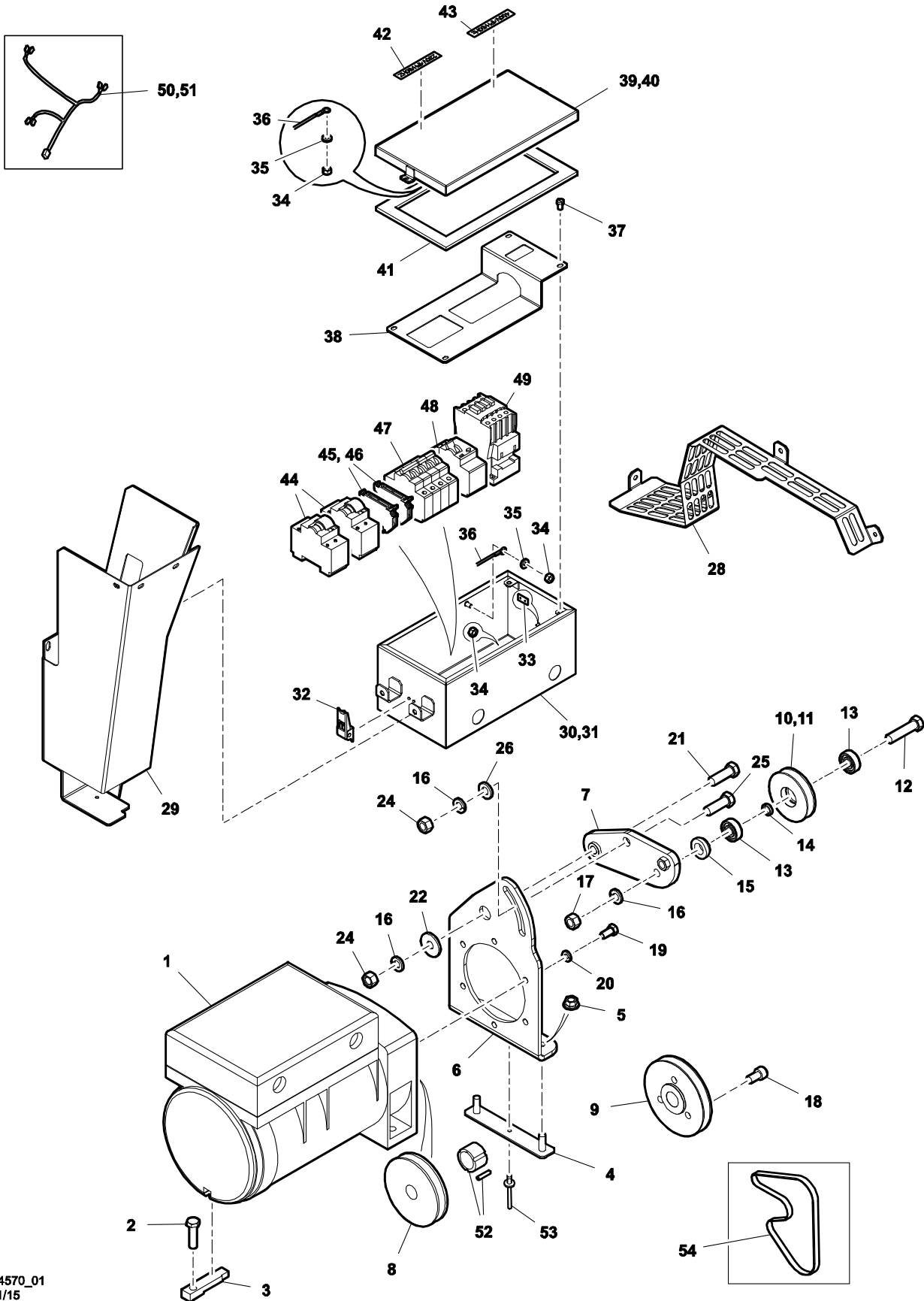
24



T4569\_00  
05/15



# OPTION - GENERATOR (400V)

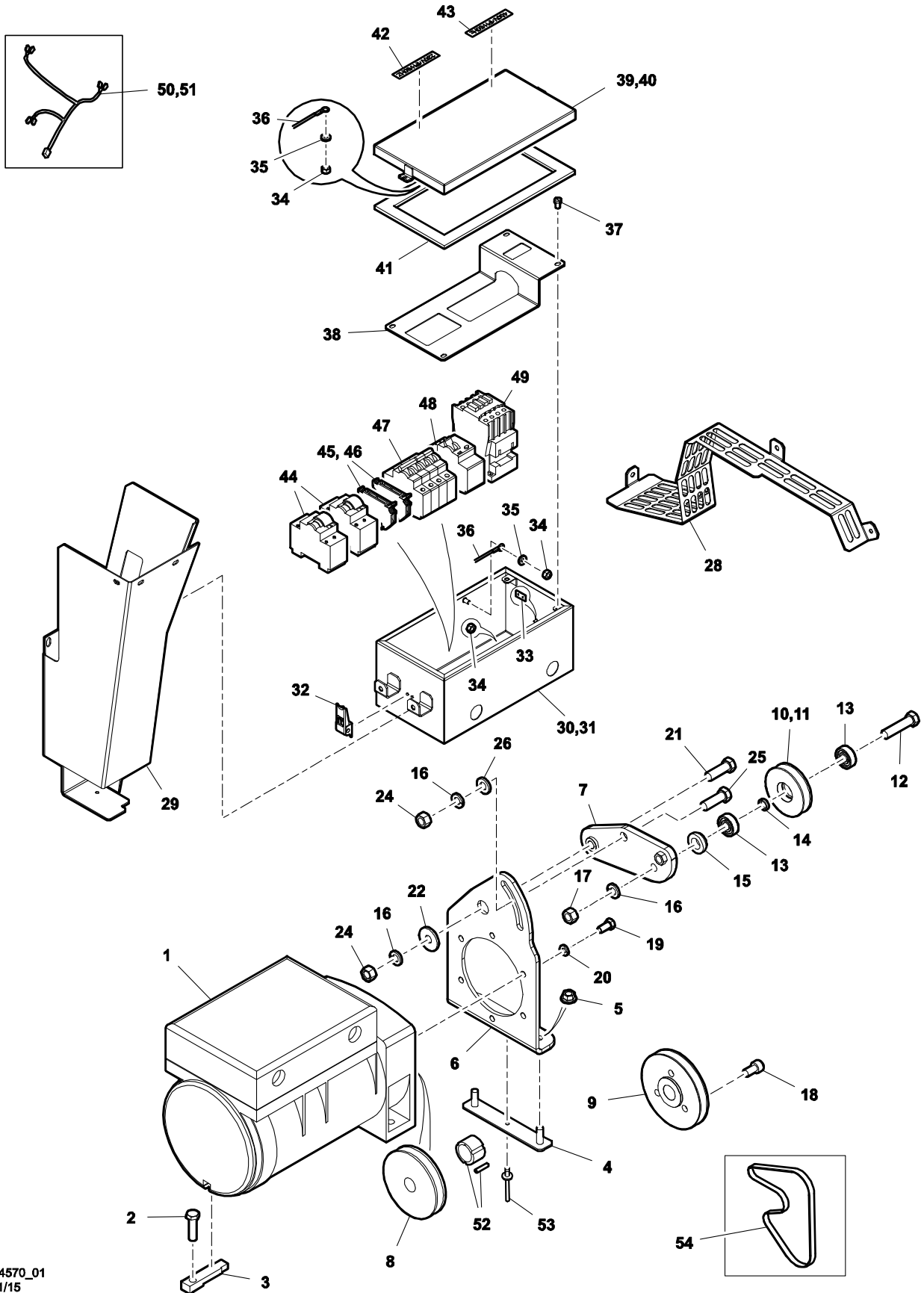


T4570\_01  
11/15

**OPTION - GENERATOR  
(400V)**

Item	Part Number	Description	Remarks	Serial Number	Qty
1	89230494	GENERATOR	(400 V, 6 kVA)		1
2	96704358	BOLT			1
3	22711410	INSERT			1
4	46666819	HOLDER, SCREWS			1
5	92473594	NUT			2
6	22411011	BRACKET			1
7	22411003	LEVER			1
8	54603337	PULLEY			1
9	46666728	PULLEY			1
10	92690890	PULLEY ASSEMBLY	W/Ref. 11-17		1
11	92690908	PULLEY			1
12	96745179	BOLT			1
13	92148006	BEARING			2
14	92147990	SLEEVE, INNER			1
15	54581921	SPACER			1
16	92304682	LOCKWASHER			3
17	96701743	NUT			1
18	96740014	CAPSCREW			3
19	96702824	SCREW			6
20	92304666	LOCKWASHER			6
21	92398619	SCREW			1
22	96711767	WASHER			1
24	96701743	NUT			2
25	96702311	SCREW			1
26	92061506	WASHER			1
28	46666840	GUARD			1
29	22174536	TOOLBOX, GENERATOR OPTION			1
30	46551760	COMPONENT BOX, METAL ASSEMBLY	W/Ref. 31-33		1
31	46551736	COMPONENT BOX, METAL			1
32	46551770	LATCH			2
33	46551786	WASHER			2

# OPTION - GENERATOR (CONT'D) (400V)



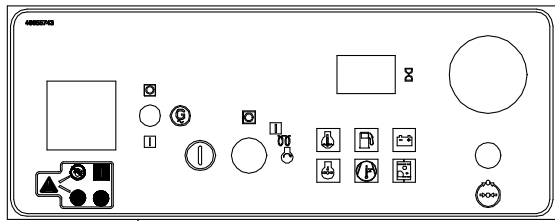
T4570\_01  
11/15



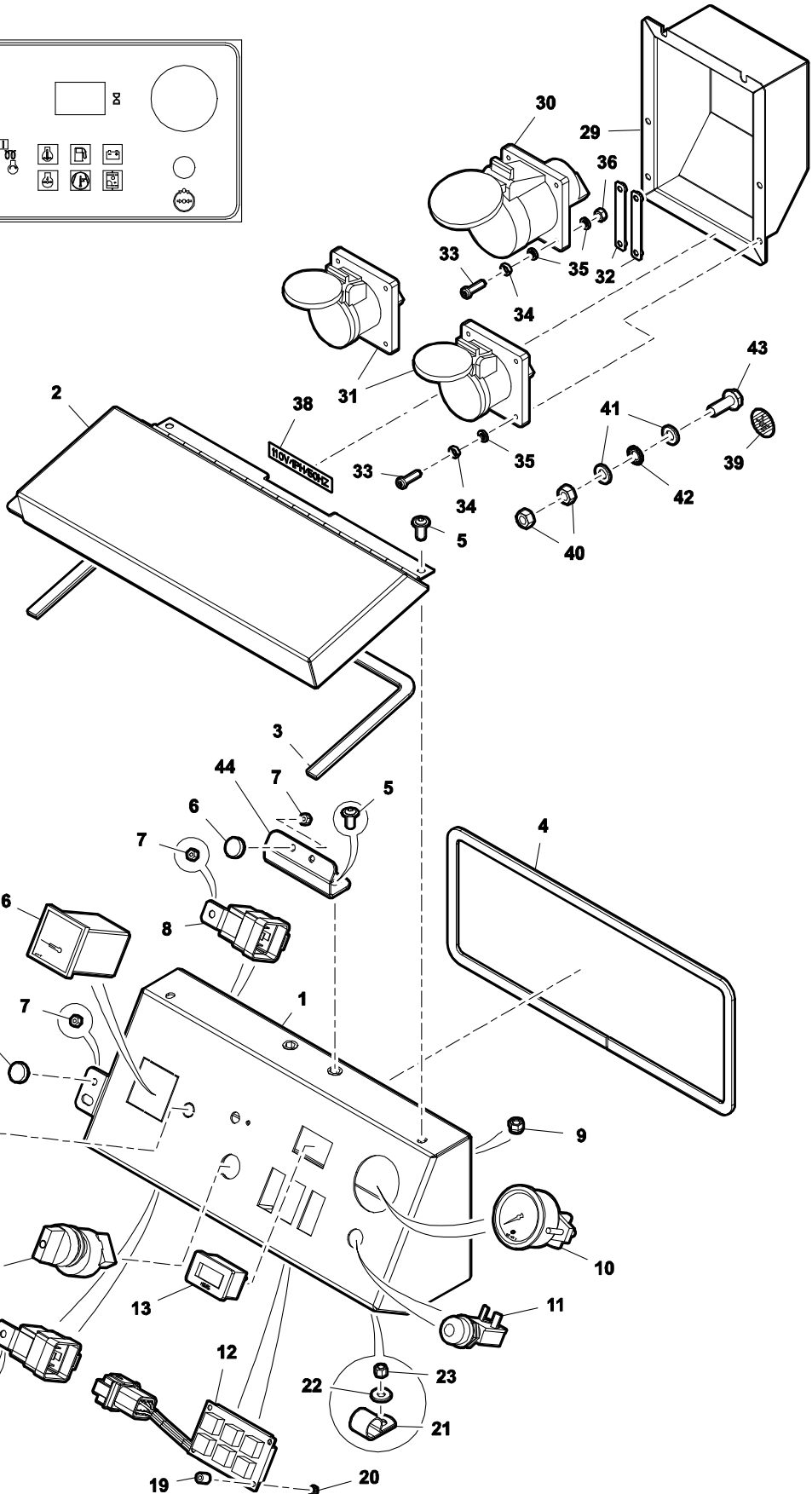
**OPTION - GENERATOR (CONT'D)  
(400V)**

Item	Part Number	Description	Remarks	Serial Number	Qty
34	96703806	NUT			5
35	92341981	WASHER			4
36	46552196	CABLE			2
37	46552235	SCREW			4
38	46551762	COVER, ELECTRICAL			1
39	46551761	COVER, COMPONENT BOX	W/Ref. 40-41 - with seal		1
40	46551737	COVER			1
41	46502811	SEAL, DOOR			1
42	92950112	DECAL, 230V 1Ph 50Hz			1
43	92950104	DECAL, 400V 3Ph 50Hz			1
44	46553813	BREAKER, CIRCUIT	(41 N / 10 A / C / 30 mA)		2
45	92876887	HOLDER, FUSE			2
46	93478899	FUSE	(1 A)		2
47	46501755	BREAKER, CIRCUIT	(3 Ph / 10 A / K)		1
48	46501748	BREAKER, BLOCK	(3 phase)		1
49	22499164	CONTACTOR	(25 A)		1
50	46551790	HARNESS, GENERATOR BOX	400V		1
51	46668501	HARNESS, COMPONENT BOX			1
52	88091889	BUSH			1
53	92271915	RIVET			1
54	22175202	BELT, DRIVE			1

# OPTION - GENERATOR (110V)



24

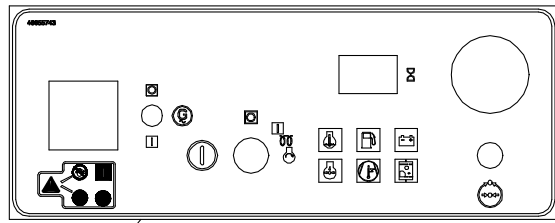


T4586\_00  
01/16

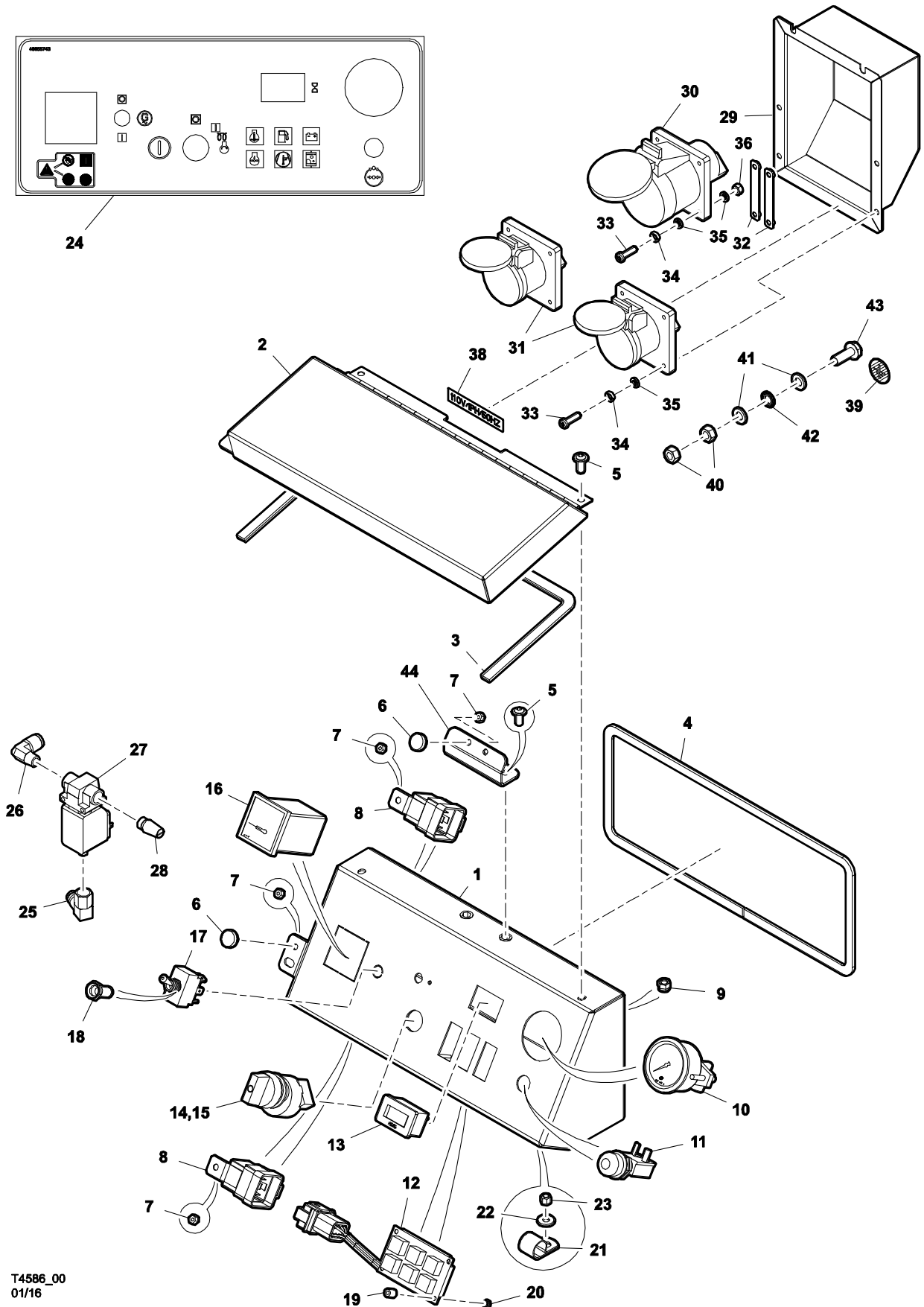
**OPTION - GENERATOR  
(110V)**

Item	Part Number	Description	Remarks	Serial Number	Qty
1	46679993	CONTROL PANEL ASSEMBLY	W/Ref. 2-28		1
2	46656741	COVER, INSTRUMENT PANEL			1
3	22617666	SEAL	0,59 m long		1
4	22617666	SEAL	0,88 m long		1
5	23330491	SCREW			4
6	46570661	HOLDER, DOOR			3
7	46541223	NUT			5
8	36878361	RELAY, WEATHERPROOF	(12 V)		2
9	92829316	NUT			2
10	92790187	GAUGE, PRESSURE			1
11	35255553	BUTTON, START / RUN	(load button)		1
12	46653284	LED PANEL ASSEMBLY			1
13	46557109	HOURMETER			1
14	22127385	SWITCH, START			1
15	22134118	KNOB ASSEMBLY			1
16	89204648	VOLTMETER	(0-300 V)		1
17	23303928	SWITCH	(alternator enabled)		1
18	22932941	BOOT, WATERPROOF			1
19	46653286	BUSH			4
20	92340371	NUT			4
21	35225077	CLAMP			1
22	95935029	WASHER			1
23	96704580	NUT			1
24	46655743	DECAL, CONTROL PANEL			1
25	92799444	ELBOW			1
26	92799386	ELBOW			1
27	92855675	VALVE, SOLENOID	(alternator run solenoid)		1
28	92089556	SILENCER			1
29	46598459	BOX, SOCKET			1
30	46622141	SOCKET			1
31	46540977	SOCKET			2

# OPTION - GENERATOR (CONT'D) (110V)



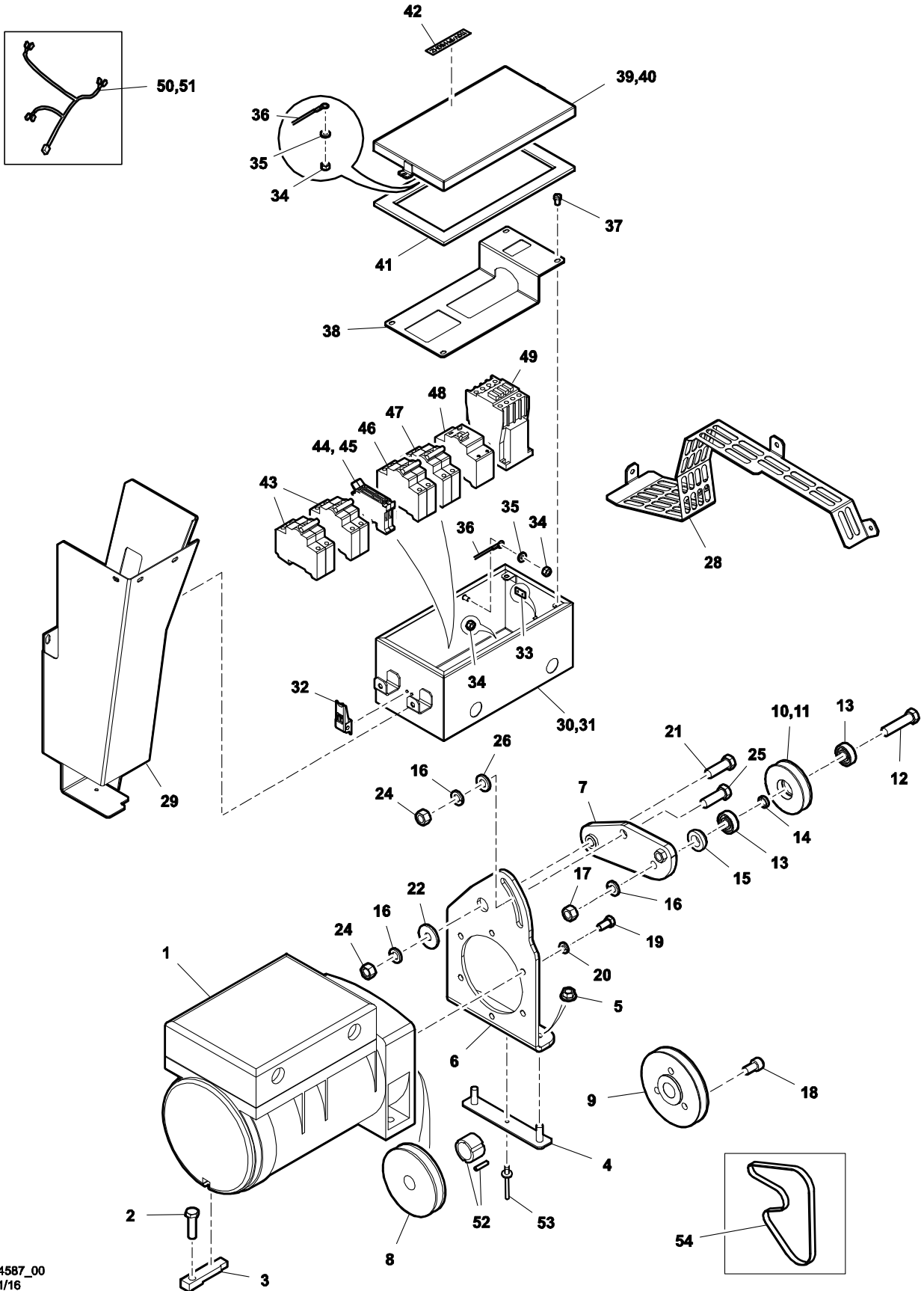
24



T4586\_00  
01/16



# OPTION - GENERATOR (110V)

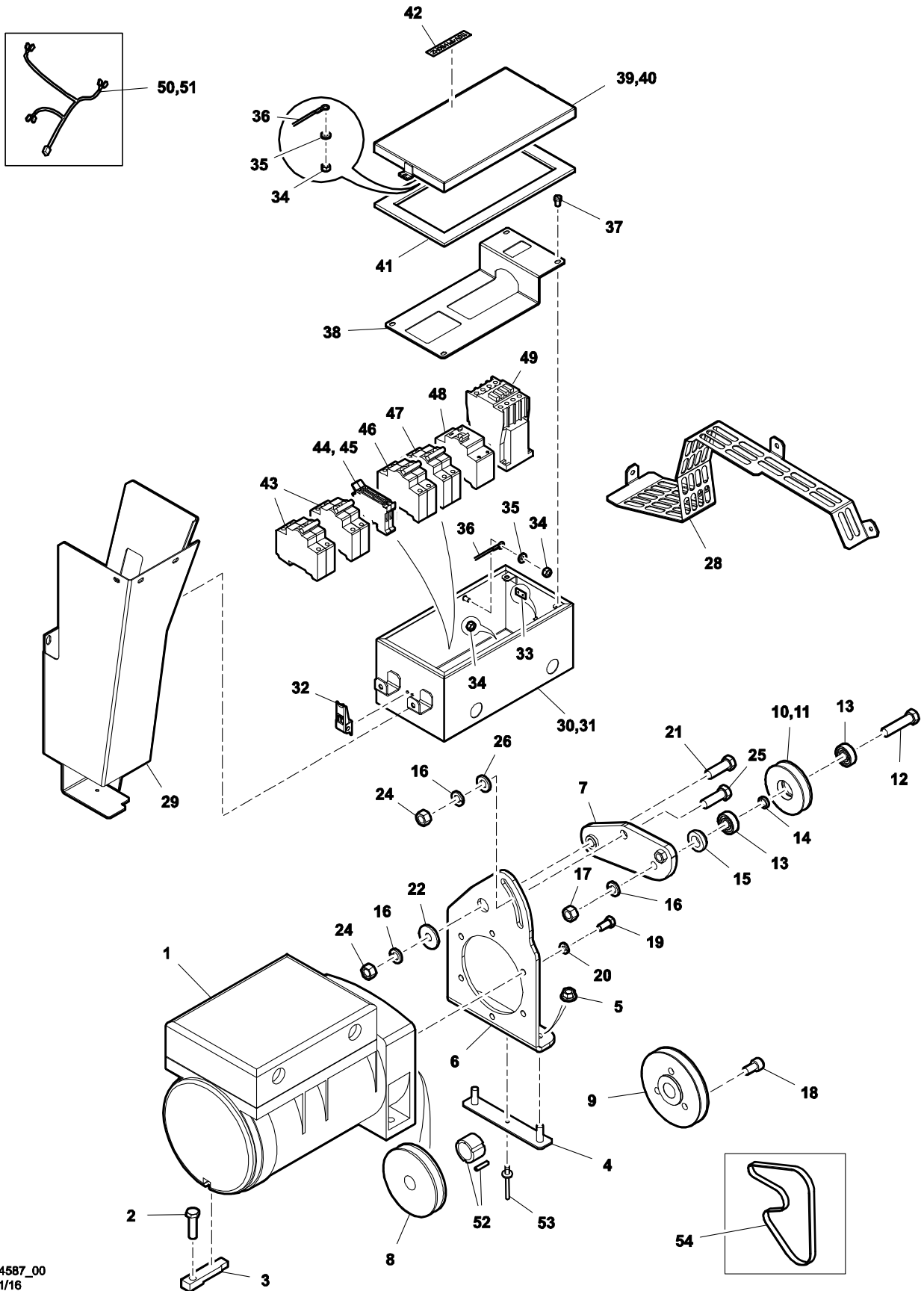


T4587\_00  
01/16

**OPTION - GENERATOR  
(110V)**

Item	Part Number	Description	Remarks	Serial Number	Qty
1	88123229	GENERATOR	(110 V, 6 kVA / 230 V, 6 kVA)		1
2	96704358	BOLT			1
3	22711410	INSERT			1
4	46666819	HOLDER, SCREWS			1
5	92473594	NUT			2
6	22411011	BRACKET			1
7	22411003	LEVER			1
8	54603337	PULLEY			1
9	46666728	PULLEY			1
10	92690890	PULLEY ASSEMBLY	W/Ref. 11-17		1
11	92690908	PULLEY			1
12	96705637	BOLT			1
13	92148006	BEARING			2
14	92147990	SLEEVE, INNER			1
15	54581921	SPACER			1
16	92304682	LOCKWASHER			3
17	96701743	NUT			1
18	96740014	CAPSCREW			3
19	96702824	SCREW			6
20	92304666	LOCKWASHER			6
21	92398619	SCREW			1
22	96711767	WASHER			1
24	96701743	NUT			2
25	96702311	SCREW			1
26	92061506	WASHER			1
28	46666840	GUARD			1
29	22174536	TOOLBOX, GENERATOR OPTION			1
30	46551760	COMPONENT BOX, METAL ASSEMBLY	W/Ref. 31-33		1
31	46551736	COMPONENT BOX, METAL			1
32	46551770	LATCH			2
33	46551786	WASHER			2

# OPTION - GENERATOR (CONT'D) (110V)



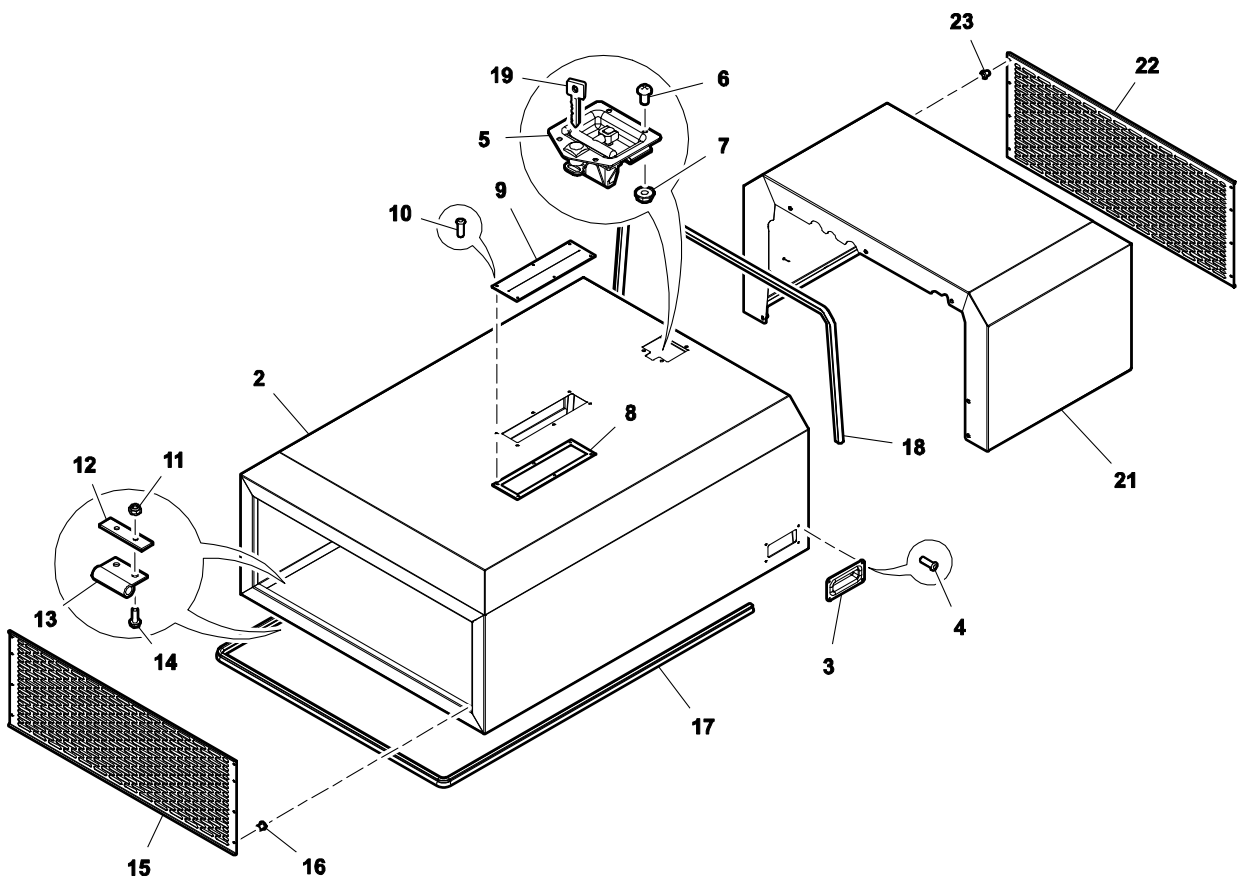
T4587\_00  
01/16



**OPTION - GENERATOR (CONT'D)  
(110V)**

Item	Part Number	Description	Remarks	Serial Number	Qty
34	96703806	NUT			5
35	92341981	WASHER			4
36	46552196	CABLE			2
37	46552235	SCREW			4
38	46551762	COVER, ELECTRICAL			1
39	46551761	COVER, COMPONENT BOX	W/Ref. 40-41 - with seal		1
40	46551737	COVER			1
41	46502811	SEAL, DOOR			1
42	92887405	DECAL, 110V 1Ph 50Hz			1
43	46501920	BREAKER, CIRCUIT	(16 A)		2
44	92876887	HOLDER, FUSE			2
45	93478899	FUSE	(1 A)		2
46	46501912	BREAKER, CIRCUIT	(32 A)		1
47	46501904	BREAKER, CIRCUIT	(2P 63 A)		1
48	46501748	BREAKER, BLOCK	(3 phase)		1
49	22499164	CONTACTOR	(25 A)		1
50	46551756	HARNESS, GEN BOX	110/230V		1
51	46679986	HARNESS, COMPONENT BOX			1
52	88091889	BUSH			1
53	92271915	RIVET			1
54	22175202	BELT, DRIVE			1

**OPTION - ENCLOSURE  
(high ambient)**

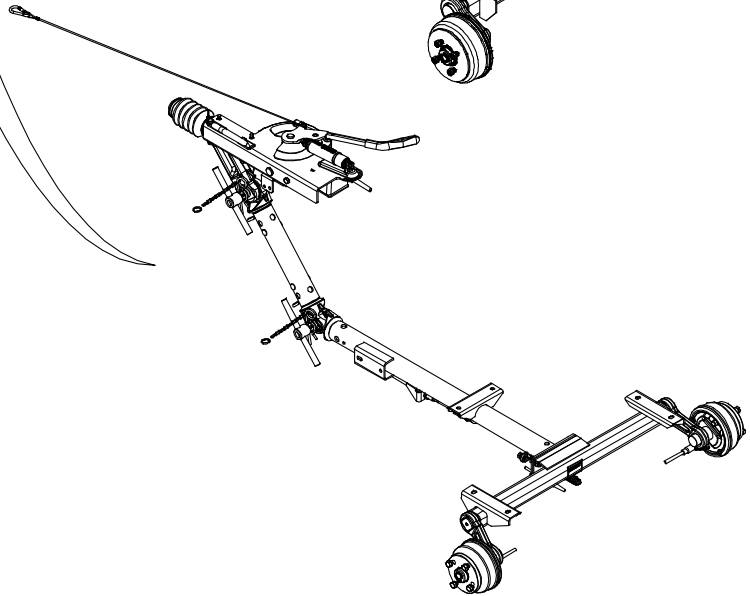
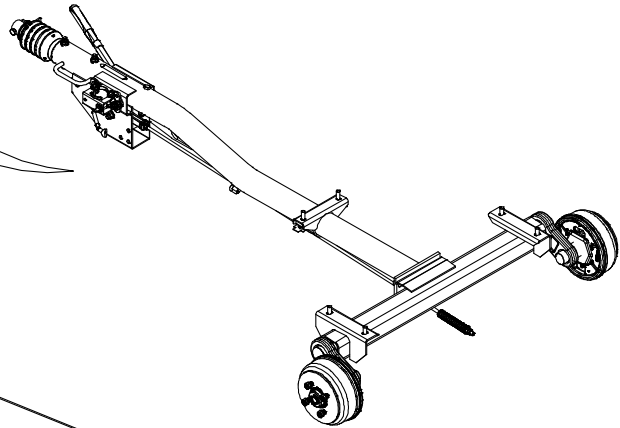
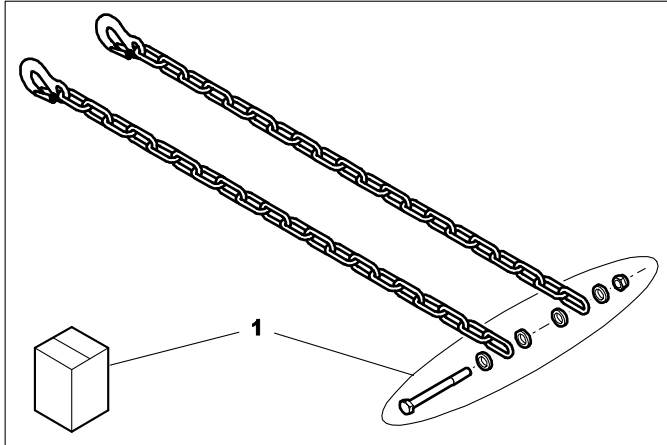


T4527\_00  
11/15

**OPTION - ENCLOSURE  
(high ambient)**

Item	Part Number	Description	Remarks	Serial Number	Qty
1	46681345	CANOPY ASSEMBLY	W/Ref. 2-18		1
2	46681356	CANOPY, PAINTED			1
3	92824010	HANDLE			2
4	92863679	RIVET			8
5	92794254	LATCH			1
6	92722990	SCREW			4
7	96704176	NUT			4
8	46673291	COVERPLATE			1
9	46673290	COVER			1
10	22054498	RIVET			6
11	92304542	NUT			4
12	92795095	PLATE			2
13	92798719	HINGE			2
14	92398122	SCREW			4
15	46666628	PANEL			1
16	54756317	RIVET			8
17	92119957	SEAL	3,22 m long		1
18	92119957	SEAL	1,65 m long		1
19	92094358	KEY	optional		1
20	46681344	CANOPY ASSEMBLY	W/Ref. 21-23		1
21	46652467	CANOPY, PAINTED			1
22	46681346	PANEL			1
23	54756317	RIVET			8

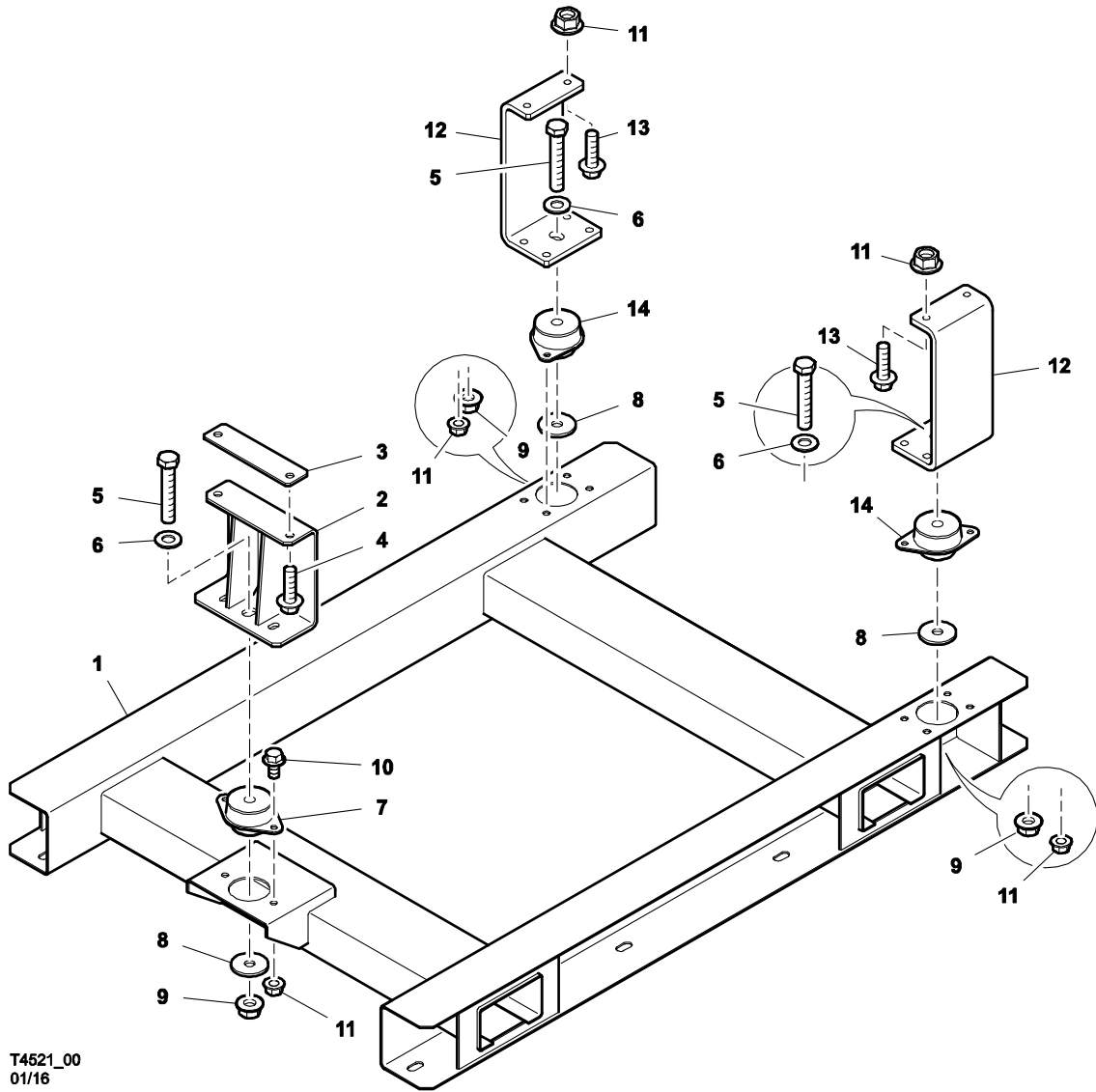
# OPTION - SAFETY CHAINS



T4525\_00  
11/15



# OPTION - TRUCK MOUNT

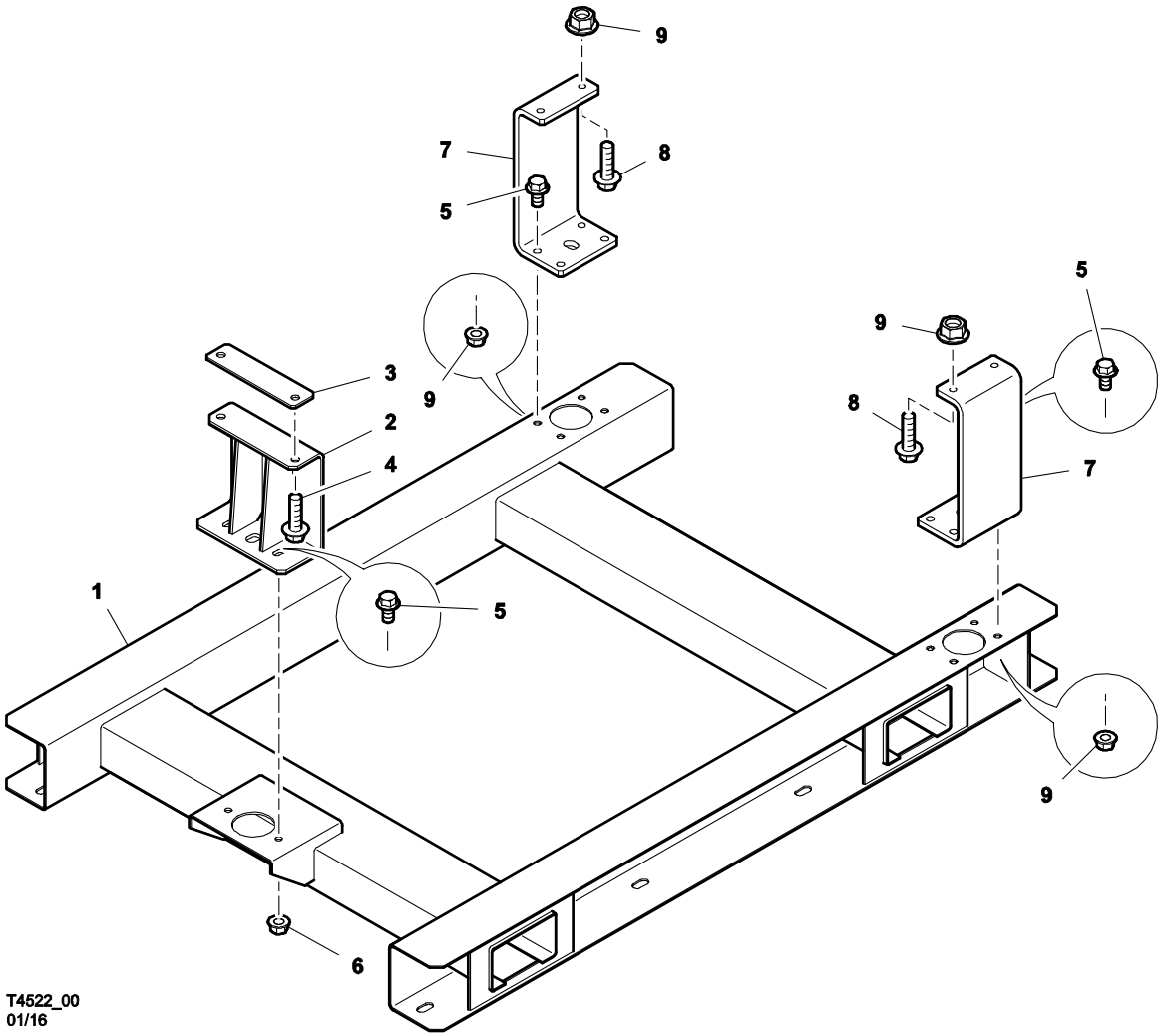


T4521\_00  
01/16

## OPTION - TRUCK MOUNT

Item	Part Number	Description	Remarks	Serial Number	Qty
1	46678954	FRAME			1
2	46678956	SUPPORT, FRONT			1
3	46679520	SPACER			1
4	96726740	SCREW			2
5	96701503	BOLT			3
6	95935052	WASHER			3
7	46679598	ISOLATOR			1
8	35327212	WASHER			3
9	36879211	NUT, FLANGE			3
10	92472638	SCREW			6
11	92473594	NUT			14
12	46678958	SUPPORT, REAR			2
13	96701917	SCREW			4
14	46679597	ISOLATOR			2

**OPTION - PERMANENT MOUNT**

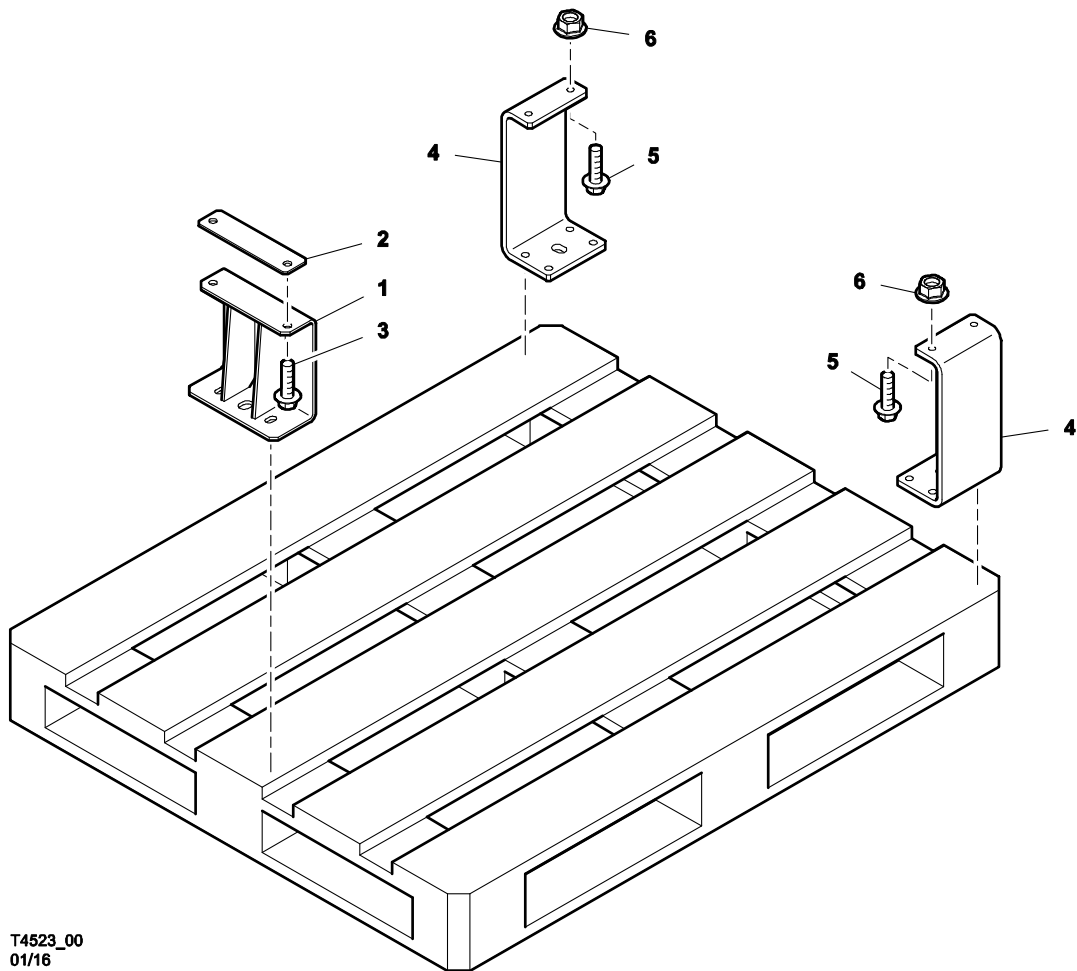


T4522\_00  
01/16





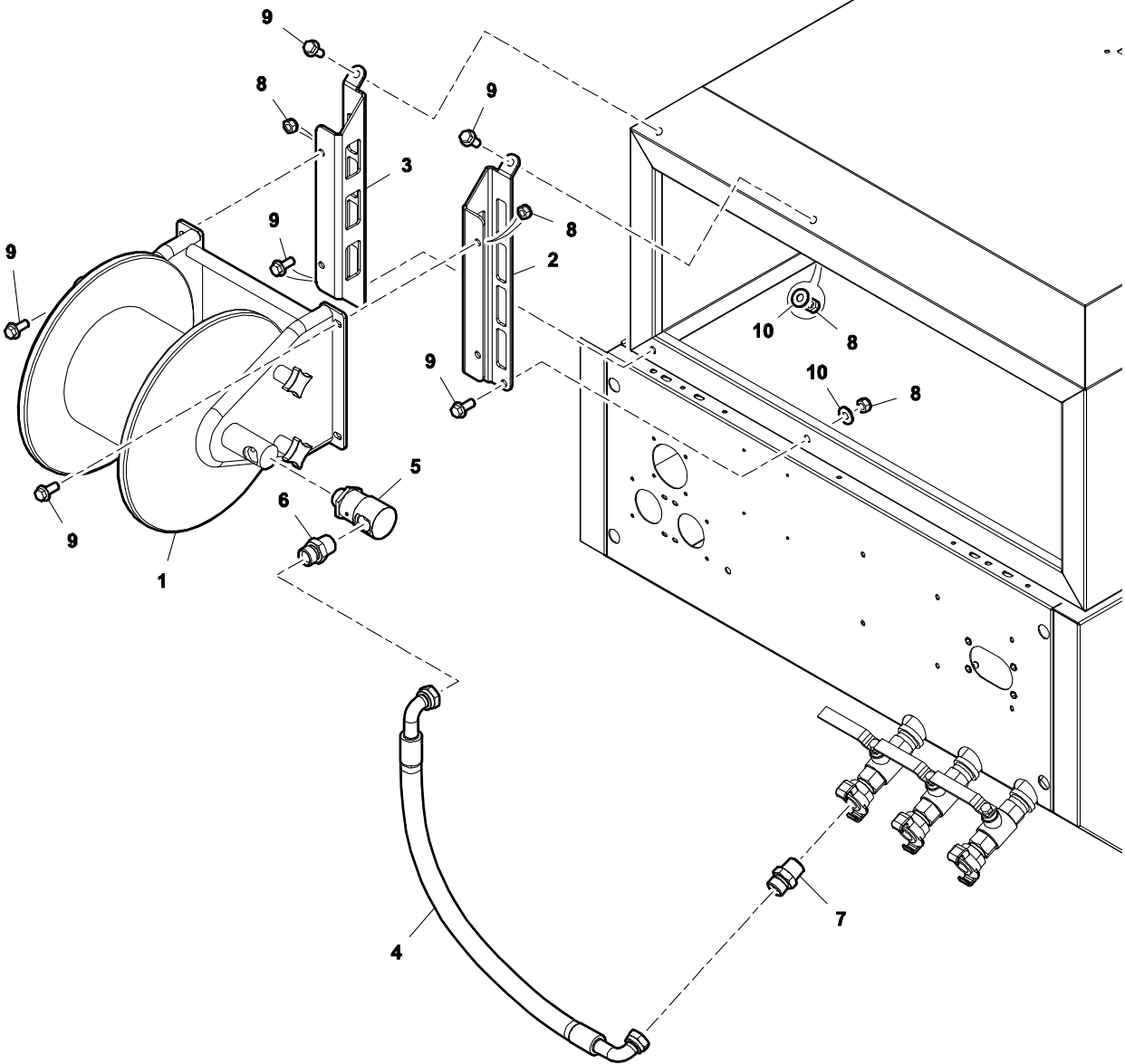
# OPTION - SHIPPING SKID



T4523\_00  
01/16



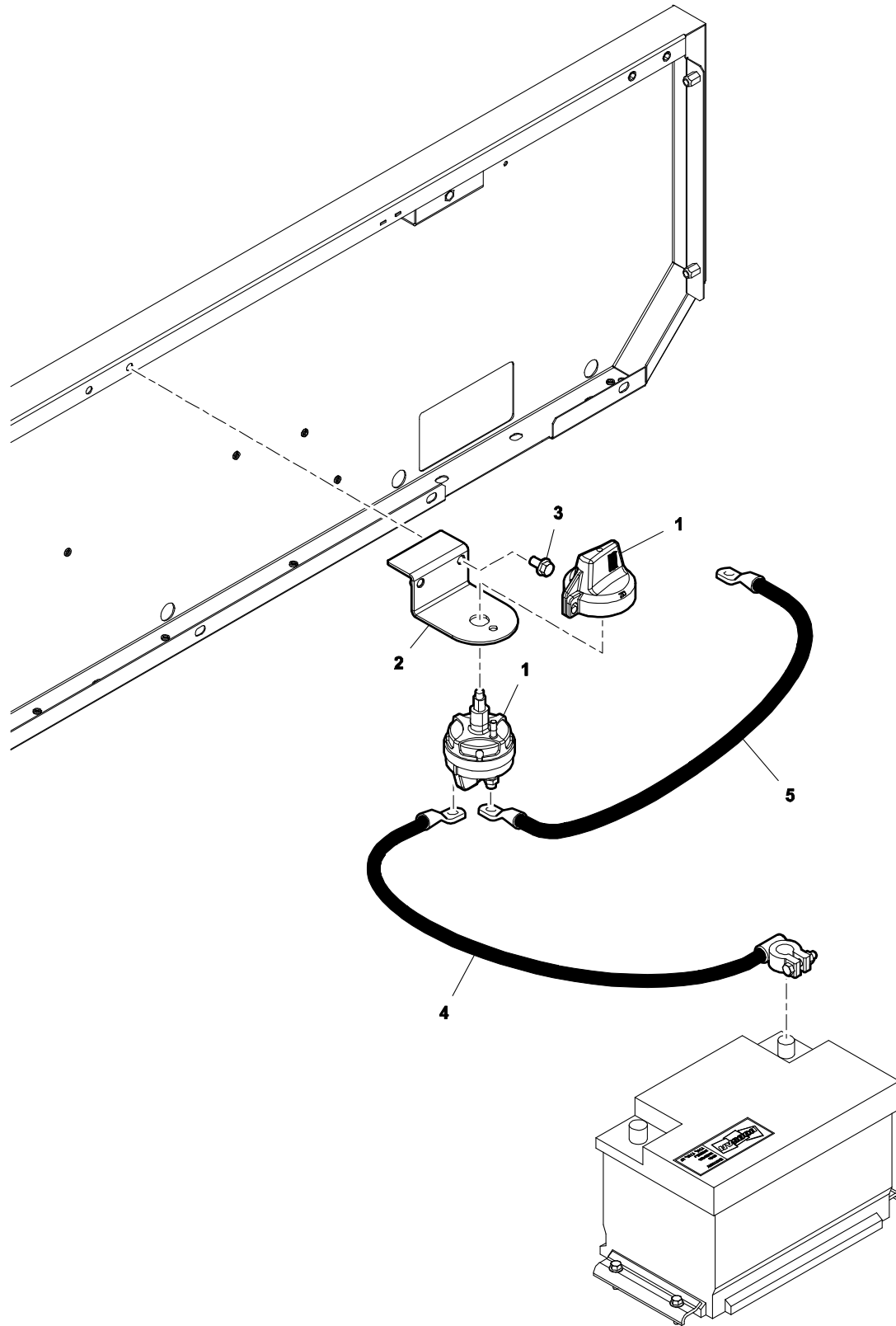
# OPTION - HOSE REEL



T4520\_00  
03/17



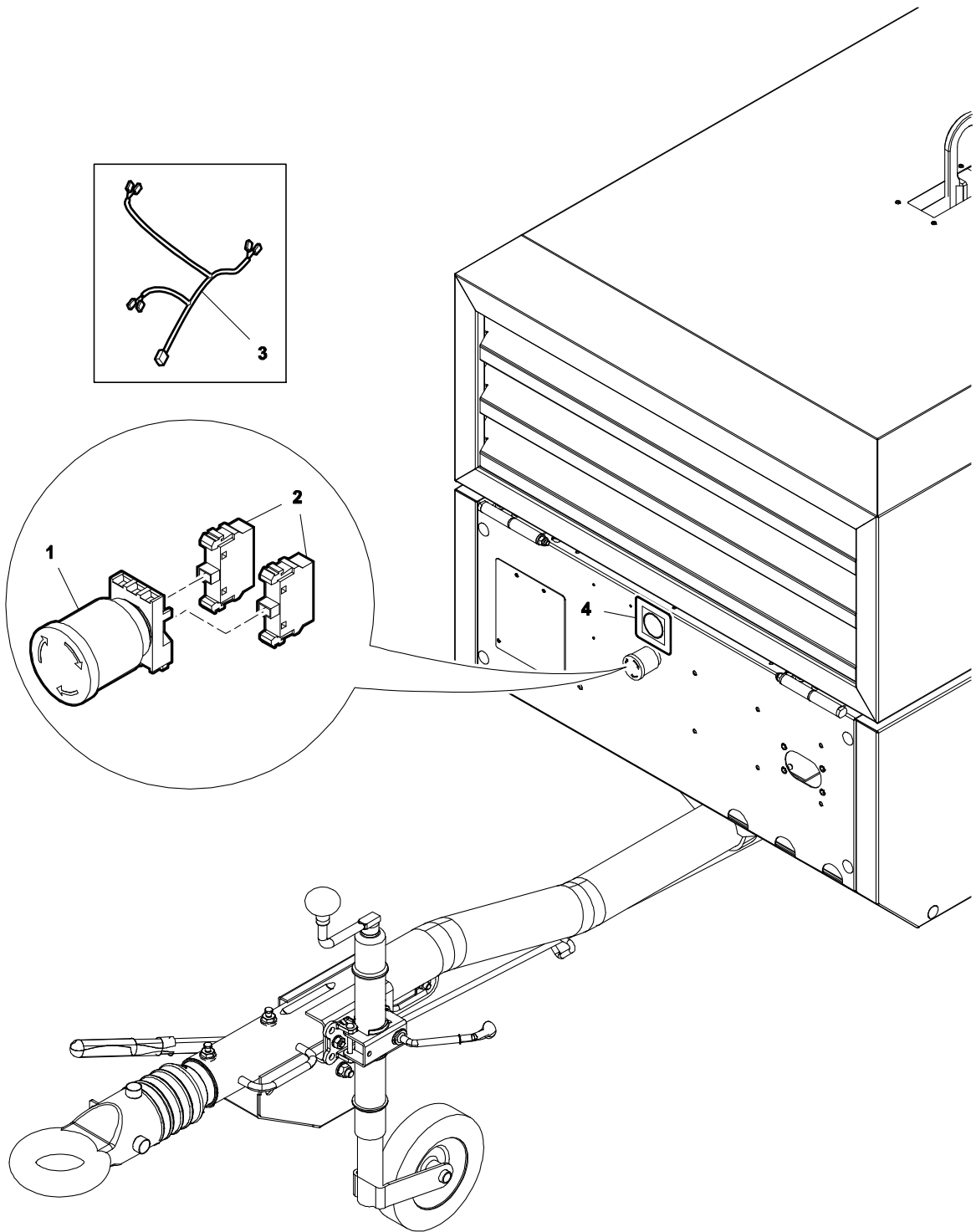
# OPTION - BATTERY DISCONNECT



T4519\_00  
04/17



# OPTION - EMERGENCY STOP BUTTON

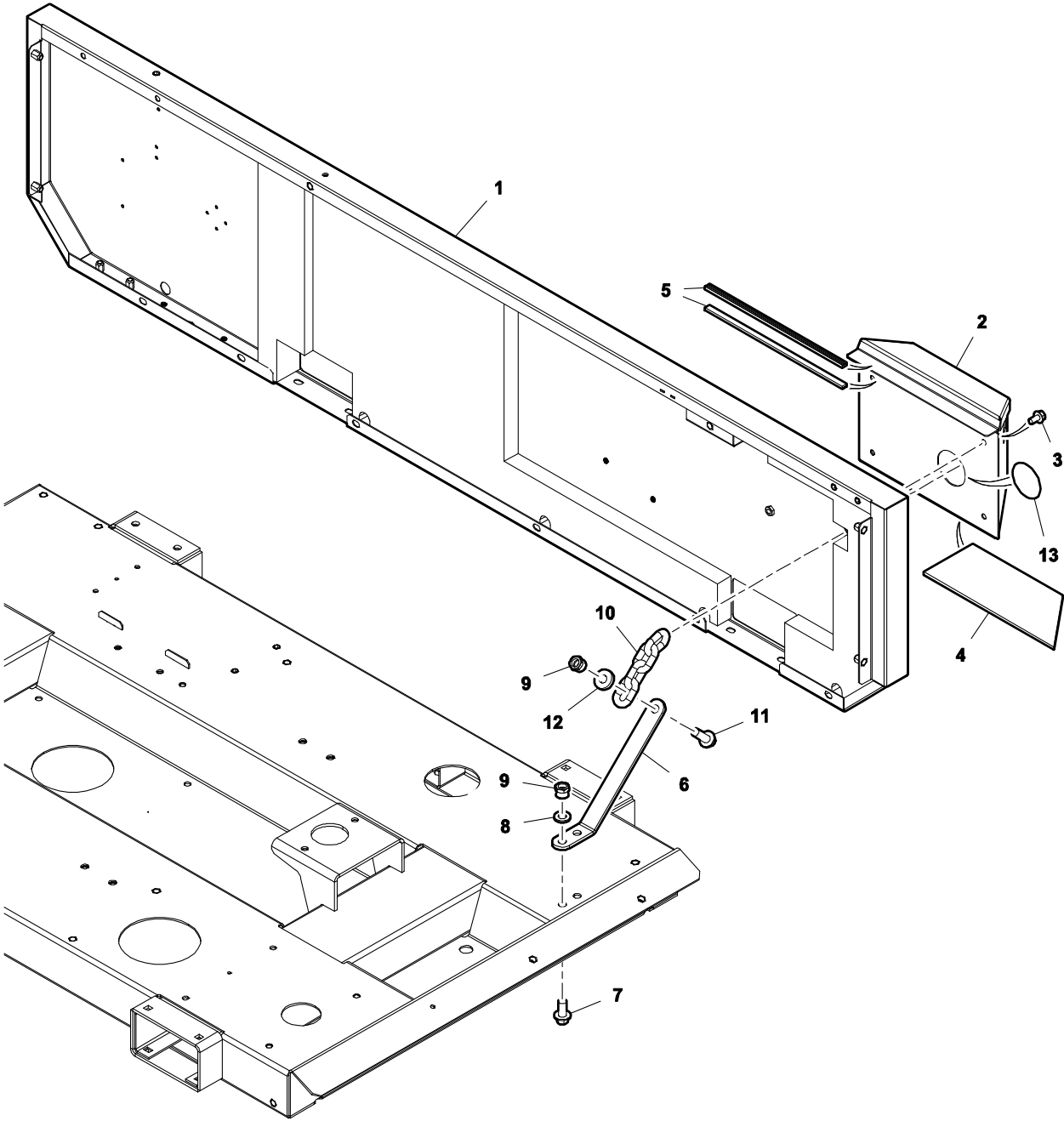


T4517\_00  
04/17





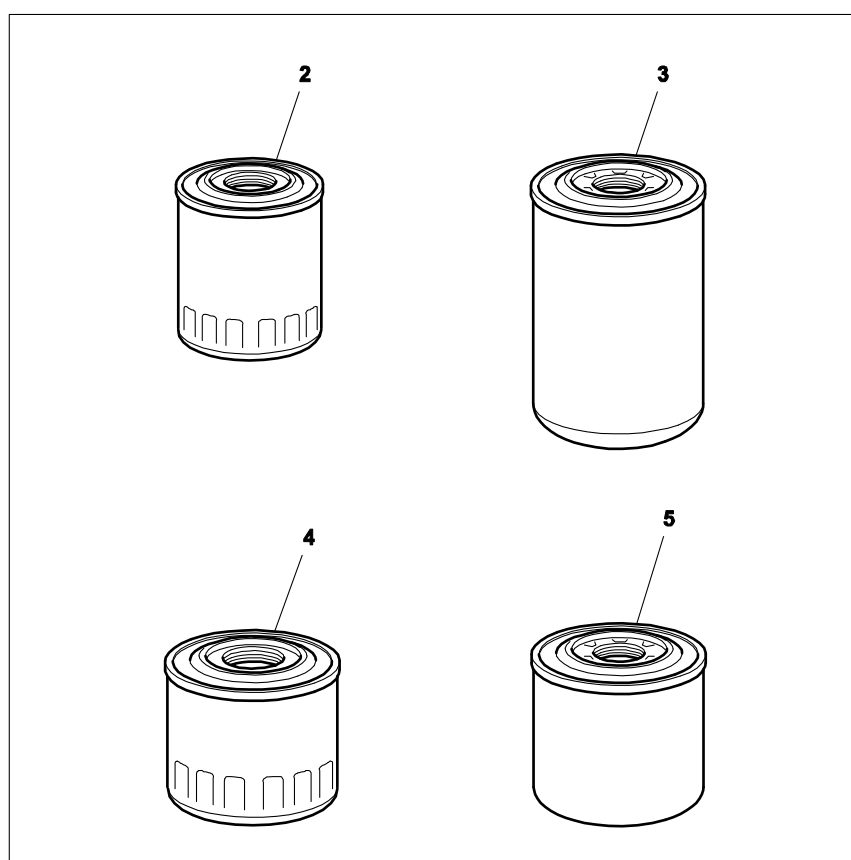
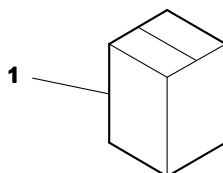
OPTION - ANTI-THEFT CHAIN



T4516\_00  
04/17



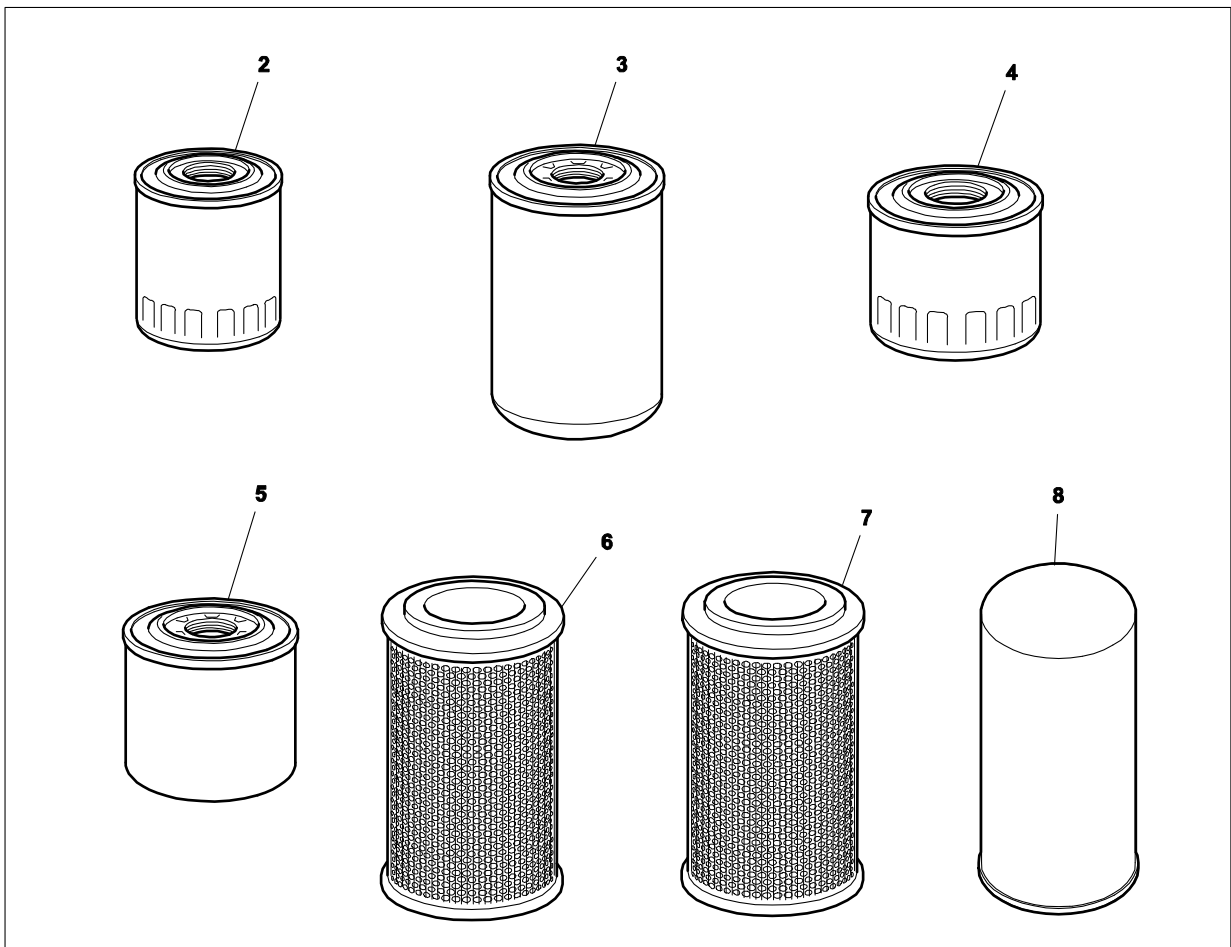
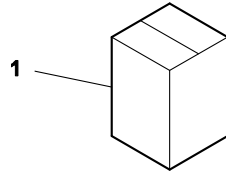
# MAINTENANCE KIT (500 hours)



T4576\_00  
06/15



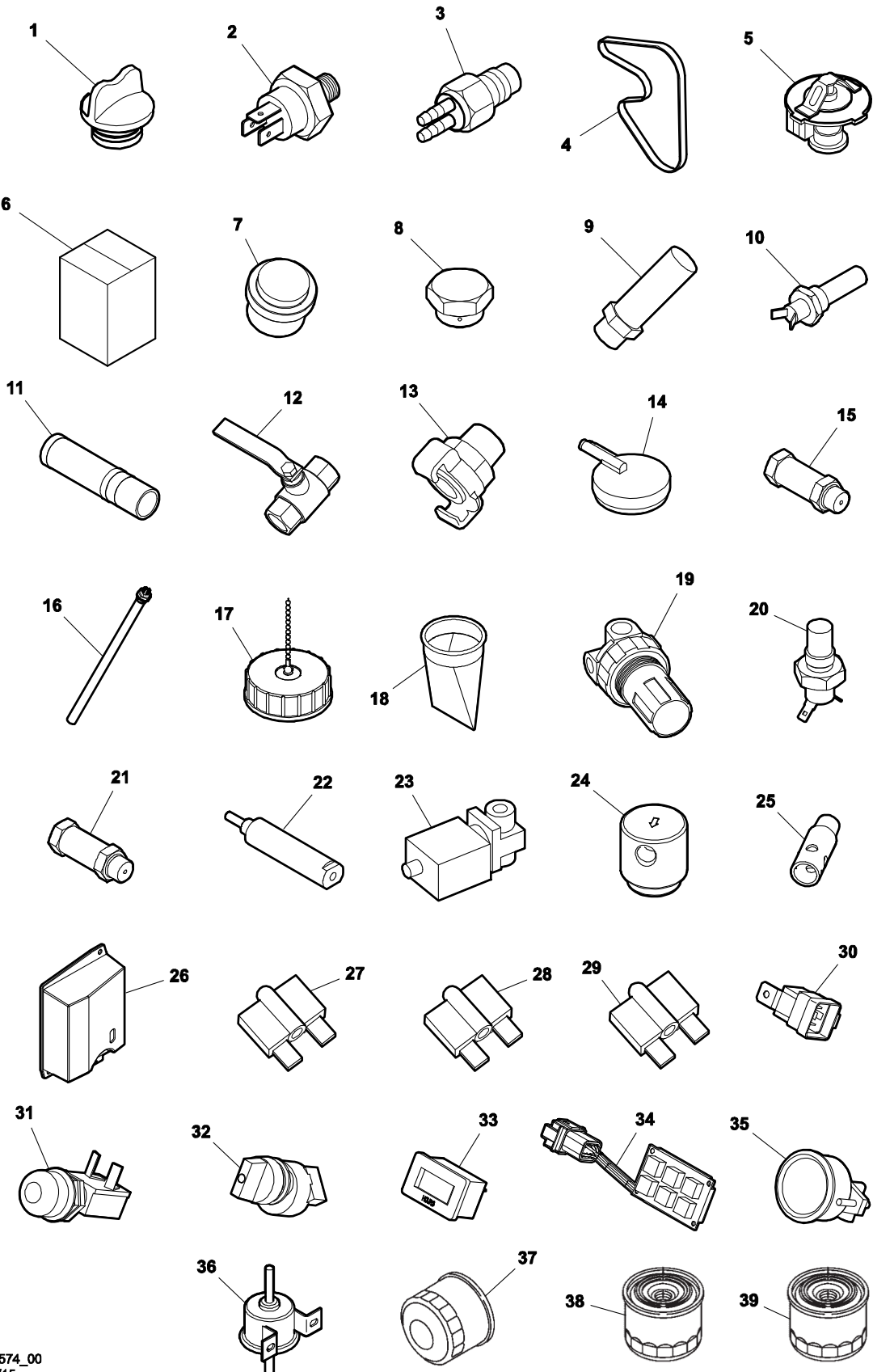
# MAINTENANCE KIT (1000 hours)



T3441\_00  
08/12



# RECOMMENDED SPARES



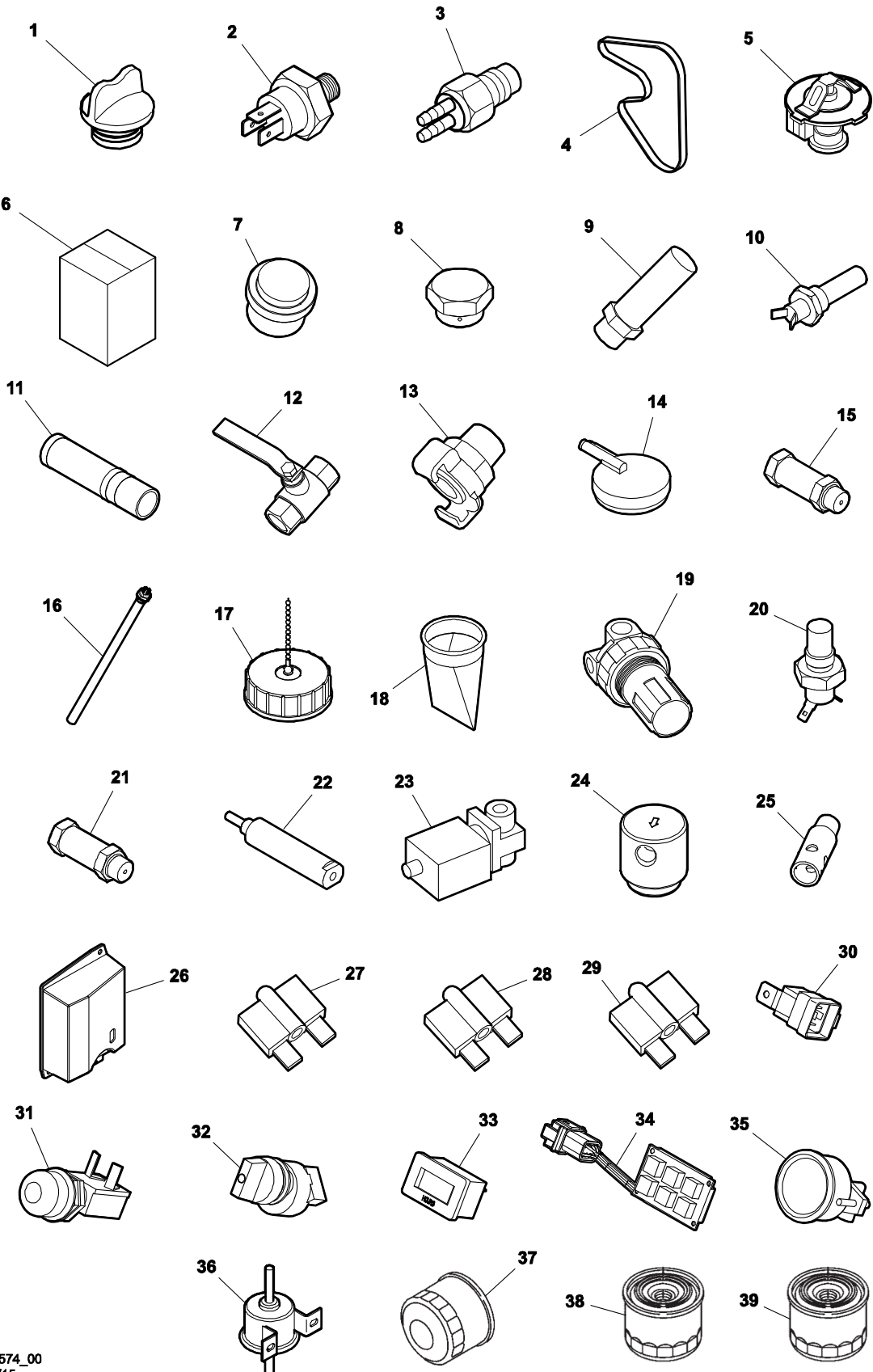
T4574\_00  
06/15



## RECOMMENDED SPARES

Item	Part Number	Description	Remarks	Serial Number	Qty
1	15898182	CAP, OIL FILLER			1
2	46550535	SWITCH			1
3	15898059	SWITCH, TEMPERATURE			1
4	46555535	V-BELT			1
5	15898570	THERMOSTAT			1
6	46674377	SET, GASKET			1
7	35300615	INDICATOR, AIR RESTRICTION			1
8	35579630	PLUG			1
9	89259485	VALVE, SAFETY			1
10	22823199	SWITCH, TEMPERATURE			1
11	22454417	ORIFICE, SONIC			1
12	92294461	VALVE, BALL	(3/4" BSP)		3
13	92178524	COUPLING, CLAW	(19 mm - 3/4"BSPT)		3
14	36136562	CAP, OVERFLOW			1
15	46673582	VALVE, CHECK			1
16	54540471	SWITCH, LOW FUEL LEVEL			1
17	22903389	FUEL FILLER CAP ASSEMBLY			1
18	46668346	STRAINER			1
19	46638964	REGULATOR, PRESSURE			1
20	35596436	SWITCH, TEMPERATURE			1
21	46673582	VALVE, CHECK			1
22	54440102	CYLINDER, PNEUMATIC			1
23	92793124	VALVE, SOLENOID			1
24	54748363	VALVE, BLOWDOWN			1
25	92549369	ORIFICE, SILENCER			1
26	46491999	CONTROLLER			1
27	36782654	FUSE	(5A)		2
28	36782464	FUSE	(15A)		2
29	89282867	FUSE, HOLDER			2
30	36878361	RELAY, WEATHERPROOF	(12 V)		2
31	35255553	BUTTON, START / RUN			1

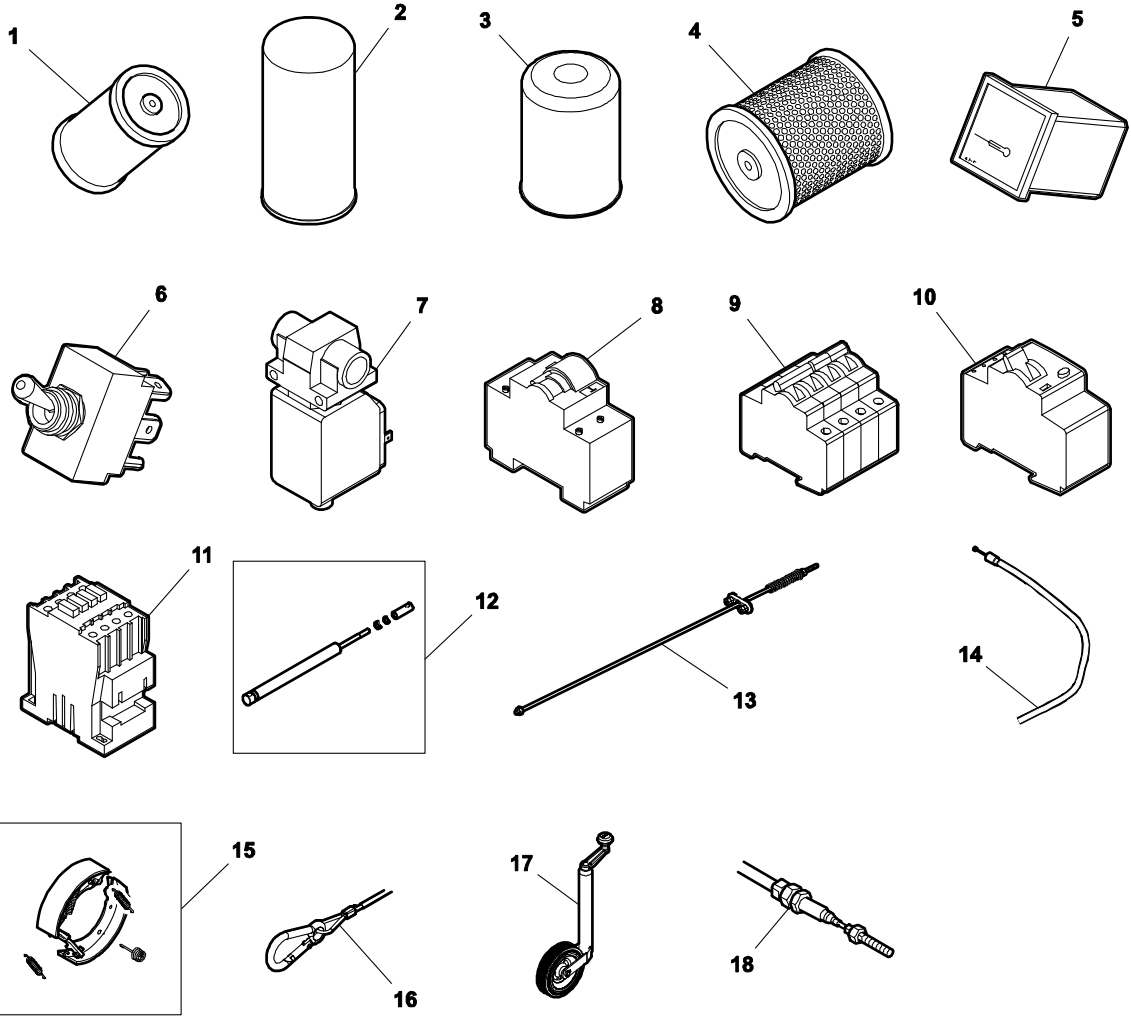
# RECOMMENDED SPARES (CONT'D)



T4574\_00  
06/15



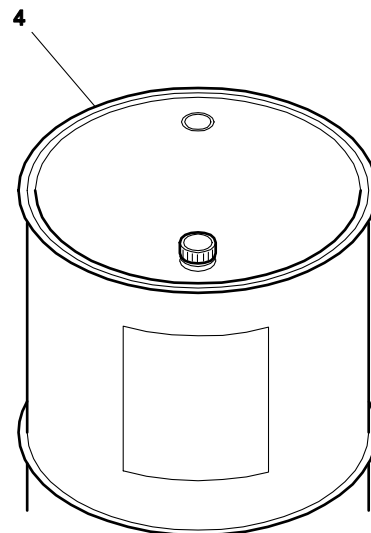
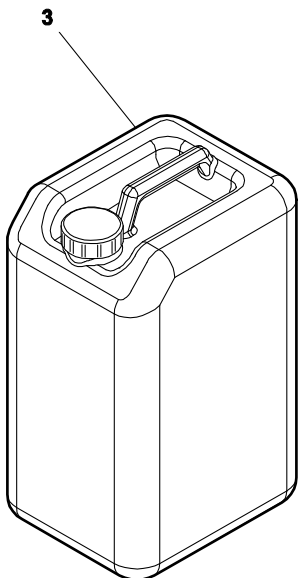
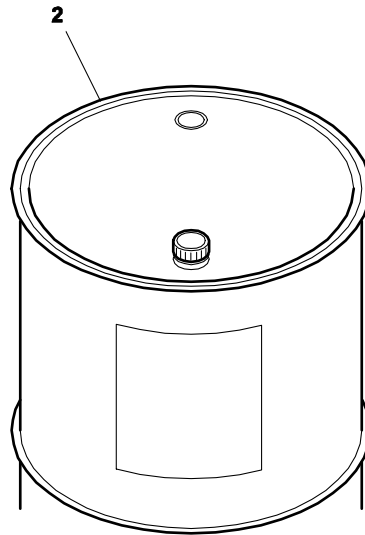
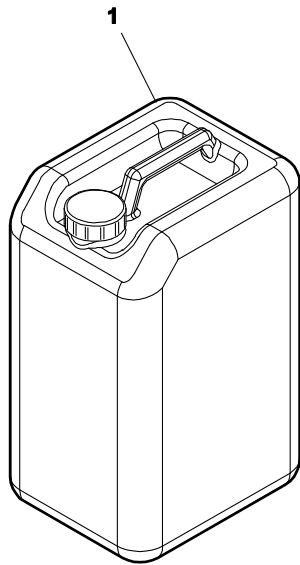
# RECOMMENDED SPARES



T4575\_00  
06/15



# FLUIDS



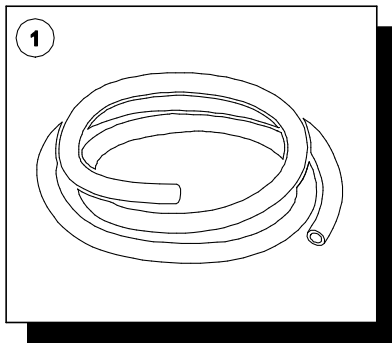
T2591\_01  
07/12



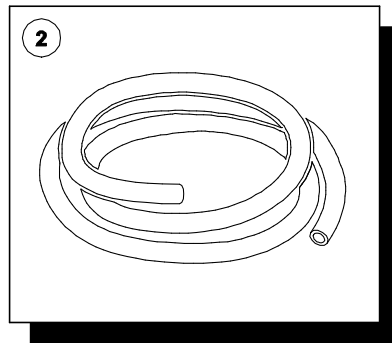
## AIR DELIVERY HOSE

This range of air delivery hose is readily available in the two most commonly used sizes of 3/4" and 1" I/D, in three lengths; 15m (50') complete with fittings, 4m (13') complete with fittings and random lengths. Please note the CPN given for the random lengths is a per metre measurement, therefore when ordering please specify the number of metres required.

The chart is by no means exhaustive, additional sizes or fitted lengths can be made available on request to suit your individual needs. Similarly the chart only gives details of air delivery hose at 15.5 bar (225 psi) working pressures. Should you require higher working pressures or different types of hose please contact Portable Power Aftermarket, via your normal channels.



Hose  
I.D.: 19 mm (3/4")  
O.D.: 30 mm  
Working pressure: 15.5 bar (225 psi)  
Burst pressure: 46.54 bar (675 psi)  
Weight: 0.580 kg/m



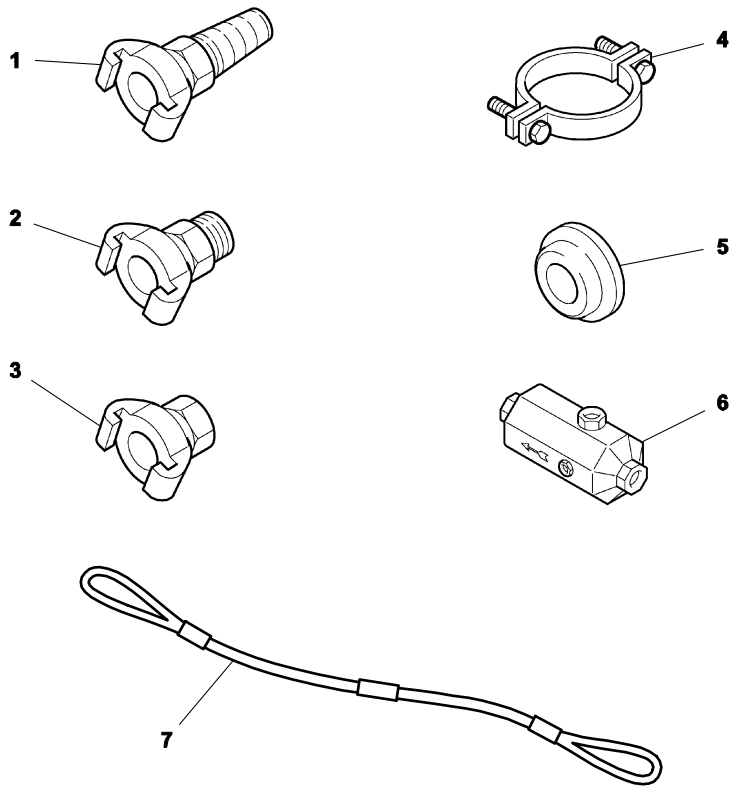
Hose  
I.D.: 25 mm (1")  
O.D.: 36 mm  
Working pressure: 15.5 bar (225 psi)  
Burst pressure: 46.54 bar (675 psi)  
Weight: 0.830 kg/m

T2593\_00  
02/11





## AIR HOSE FITTINGS



Some air tools are manufactured with an integral oil supply built into the handle. In cases where no such supply exists a lubricator installed within the air line ensures that air tools operate at peak efficiency and reduce costly repair and downtime.

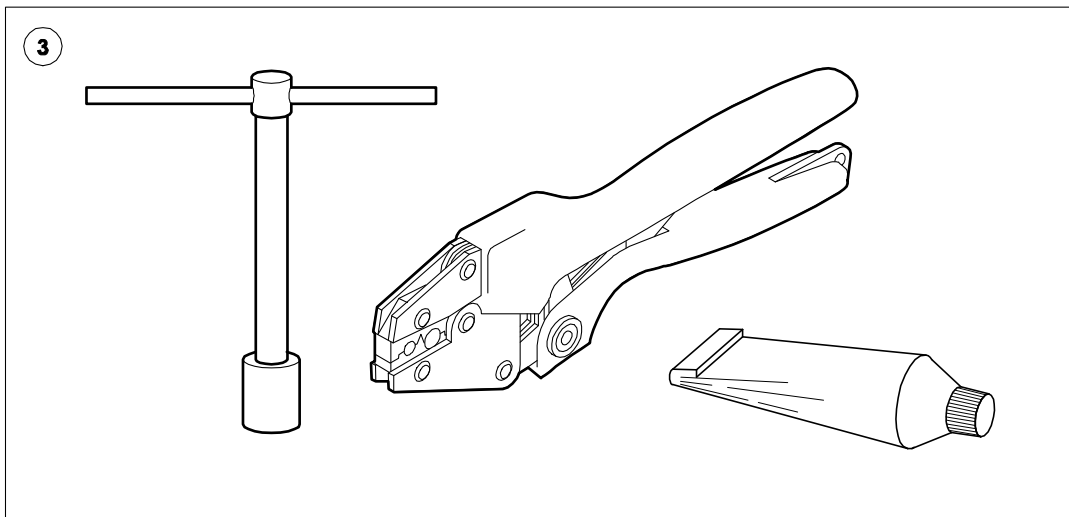
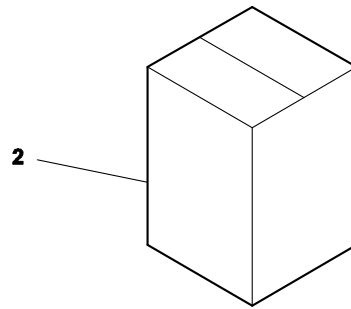
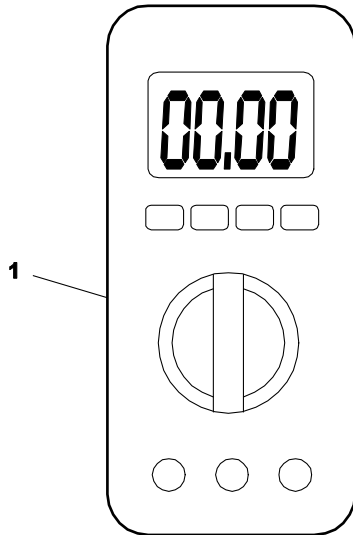
The lubricator should be located as near to the tool as possible but satisfactory lubrication will be provided if installed as far away as 25ft (7.62m). Immediately upon operation of an air tool a fog of oil is automatically injected into the air stream and lubrication of the tool will continue as long as there is oil in the lubricator.

The oil supply, which is adjustable, is easily checked through the pressure proof window, and refilling is made simple by use of a large filler cap. Whenever the cap is removed it automatically vents the reservoir pressure allowing refilling without shutting down the air supply.

T2594\_01  
07/12



# SERVICE TOOLS

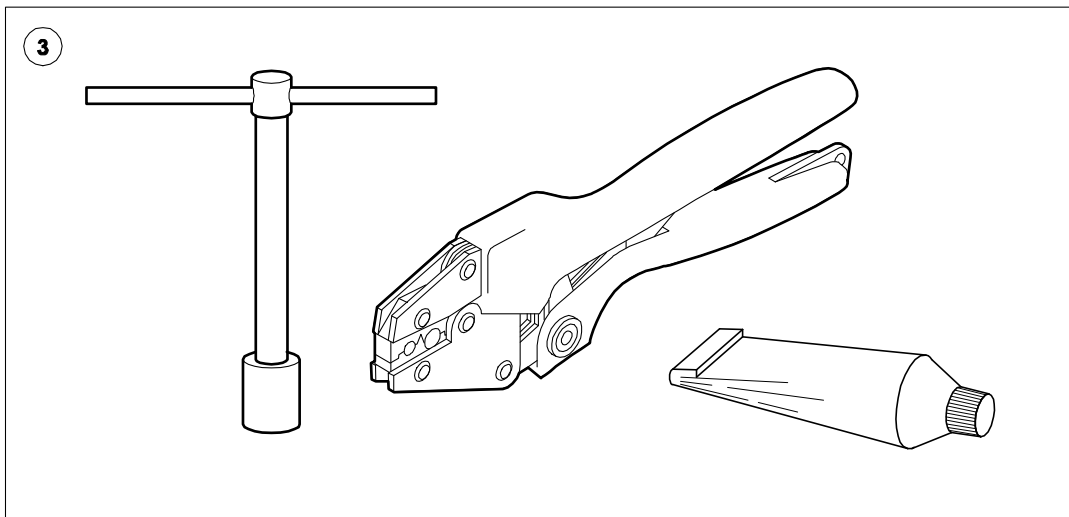
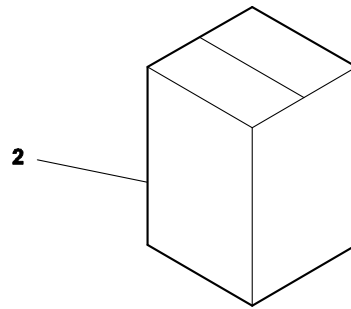
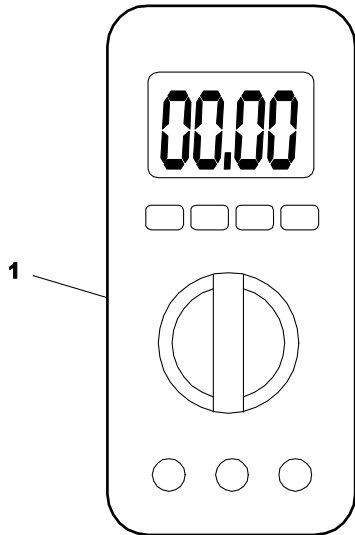


T2595\_01  
08/12

## SERVICE TOOLS

Item	Part Number	Description	Remarks	Serial Number	Qty
1	22216691	DIGITAL MULTIMETER	(fluke 87)		1
1	22216733	METER CASE, FLUKE			1
1	22216709	TEST LEAD SET, FLUKE			1
1	22216725	WIRE INSULATION PIERCING PROBE, FLUKE			1
2	22147540	KIT, TEST ADAPTERS			1
2	22146393	KIT, DEUTSCH TERMINAL REMOVAL TOOL	(size 20 through 8)		1
3	22281588	WRENCH, T- HANDLE HEX	5/32"		1
3	22282107	SCREW DRIVER, HEX	5/32"		1
3	22282172	FLEX DRIVER	3/4"		1
3	54740675	SERIAL CABLE, HEAVY DUTY	RS232		1
3	54699640	DEUTCH TERMINAL REMOVAL	tool size 20		1
3	54699632	DEUTCH TERMINAL REMOVAL	size 16		1
3	46490942	DEUTCH TERMINAL REMOVAL	size 14		1
3	54699624	DEUTCH TERMINAL REMOVAL	size 12		1
3	54699616	DEUTCH TERMINAL REMOVAL	size 8		1
3	54699657	DEUTCH WEDGELOCK AND TERMINAL REMOVAL TOOL			1
3	22216667	DEUTSCH TERMINAL CRIMP TOOL			1
3	54729660	PACKARD WEATHER- PACK TERMINAL REMOVAL TOOL			1
3	54749643	PACKARD METRI- PACK TERMINAL REMOVAL TOOL			1
3	46490959	PACKARD METRI- PACK TERMINAL REMOVAL TOOL			1
3	22254734	PACKARD WEATHER- PACK TERMINAL CRIMP TOOL			1
3	22216683	PACKARD METRI- PACK TERMINAL CRIMP TOOL			1
3	22255974	PACKARD METRI- PACK TERMINAL CRIMP TOOL			1
3	46490967	PACKARD METRI- PACK TERMINAL CRIMP TOOL			1
3	46490975	PACKARD METRI- PACK TERMINAL CRIMP TOOL			1
3	54749544	RTD SIMULATOR			1
3	54749551	THERMISTOR SIMULATOR			1
3	22073878	THERMISTOR SIMULATOR			1
3	22168868	PRESSURE TRANSDUCER SIMULATOR			1
3	54729710	ELECTRICAL CONTACT CLEANER			1
3	22409114	ELECTRICAL GREASE			1

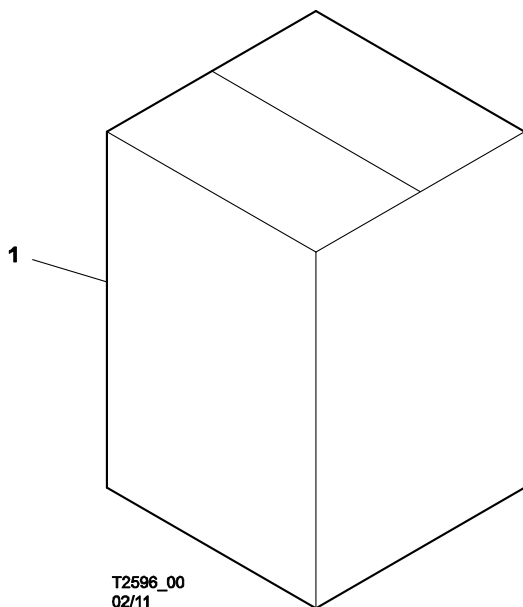
# SERVICE TOOLS (CONT'D)



T2595\_01  
08/12



# CONNECTOR REPAIR KITS







Intentionally left blank

# NUMERICAL INDEX

Part Number	Denomination	WAS	Page	Subgroup
			35	SEPARATOR TANK
15895311	GASKET, EXHAUST MANIFO		55	EXHAUST MANIFOLD
15896103	DIAPHRAGM		51	ROCKER COVER
15896111	PLATE, CENTRE		51	ROCKER COVER
15896129	PLATE, BREATHER		51	ROCKER COVER
15896137	SPRING, DIAPHRAGM		51	ROCKER COVER
15897077	PUMP, FUEL		71	FUEL FILTER
			83	FUEL SYSTEM
			157	RECOMMENDED SPARES
15898059	SWITCH, TEMPERATURE		63	COOLING WATER SYSTEM
			157	RECOMMENDED SPARES
15898182	CAP, OIL FILLER		51	ROCKER COVER
			157	RECOMMENDED SPARES
15898216	KNOB		51	ROCKER COVER
15898240	GASKET		63	COOLING WATER SYSTEM
15898539	GASKET		63	COOLING WATER SYSTEM
15898562	GASKET		53	AIR INTAKE MANIFOLD
15898570	THERMOSTAT		63	COOLING WATER SYSTEM
			157	RECOMMENDED SPARES
15898794	GASKET		63	COOLING WATER SYSTEM
15898968	O-RING		51	ROCKER COVER
15898984	O-RING		51	ROCKER COVER
15899073	BOLT		65	FUEL INJECTION PUMP
15899099	BOLT		65	FUEL INJECTION PUMP
15899107	BOLT		53	AIR INTAKE MANIFOLD
15899123	BOLT		75	ALTERNATOR
15899198	NUT		57	TURBOCHARGER
15899206	NUT		75	ALTERNATOR
15899636	DIPSTICK		59	LUBE OIL SYSTEM
22051270	SLEEVE		7	RUNNING GEAR
22051411	SLIDER		7	RUNNING GEAR
22051510	COVER		3	RUNNING GEAR
			7	RUNNING GEAR
22051536	GUIDE		7	RUNNING GEAR
22051619	SPRING		7	RUNNING GEAR
22051833	LEVER, HANDBRAKE		3	RUNNING GEAR
22051841	CABLE		3	RUNNING GEAR
			7	RUNNING GEAR
			161	RECOMMENDED SPARES
22051908	CLAMP		3	RUNNING GEAR
22053755	STAND, PROP		3	RUNNING GEAR
22053763	JOCKEY WHEEL ASSEMBLY		3	RUNNING GEAR
			7	RUNNING GEAR
			161	RECOMMENDED SPARES
22054498	RIVET		13	ENCLOSURE
			135	OPTION - ENCLOSURE

Part Number	Denomination	WAS	Page	Subgroup
22066823	LEVER, HANDBRAKE		7	RUNNING GEAR
22066906	HOUSING		7	RUNNING GEAR
22066971	WHEEL		3 7	RUNNING GEAR RUNNING GEAR
22066989	TYRE		3 7	RUNNING GEAR RUNNING GEAR
22067003	CLAMP ASSEMBLY		3 7	RUNNING GEAR RUNNING GEAR
22068373	SEAL		151	OPTION - ANTI-THEFT CHAIN
22073878	THERMISTOR SIMULATOR		169	SERVICE TOOLS
22086730	PLUG		83	FUEL SYSTEM
22104806	WASHER		7	RUNNING GEAR
22104863	LINK, ADJUSTABLE		7	RUNNING GEAR
22105043	DRAWBAR ASSEMBLY COM		3	RUNNING GEAR
22127385	SWITCH, START		25 119 127 157	INSTRUMENTATION / ELECTRICAL SYSTEM OPTION - GENERATOR OPTION - GENERATOR RECOMMENDED SPARES
22134118	KNOB ASSEMBLY		25 119 127	INSTRUMENTATION / ELECTRICAL SYSTEM OPTION - GENERATOR OPTION - GENERATOR
22137624	BATTERY		25	INSTRUMENTATION / ELECTRICAL SYSTEM
22146393	KIT, DEUTSCH TERMINAL R		169	SERVICE TOOLS
22147540	KIT, TEST ADAPTERS		169	SERVICE TOOLS
22167084	HOSE		83	FUEL SYSTEM
22168868	PRESSURE TRANSDUCER S		169	SERVICE TOOLS
22174536	TOOLBOX, GENERATOR OP		123 131	OPTION - GENERATOR OPTION - GENERATOR
22175202	BELT, DRIVE		123 131	OPTION - GENERATOR OPTION - GENERATOR
22212013	HITCH, BALL		3	RUNNING GEAR
22216667	DEUTSCH TERMINAL CRIMP		169	SERVICE TOOLS
22216683	PACKARD METRI- PACK TER		169	SERVICE TOOLS
22216691	DIGITAL MULTIMETER		169	SERVICE TOOLS
22216709	TEST LEAD SET, FLUKE		169	SERVICE TOOLS
22216725	WIRE INSULATION PIERCIN		169	SERVICE TOOLS
22216733	METER CASE, FLUKE		169	SERVICE TOOLS
22226351	ELEMENT, OIL FILTER		59 153 155 157	LUBE OIL SYSTEM MAINTENANCE KIT MAINTENANCE KIT RECOMMENDED SPARES
22226369	ELEMENT, FUEL FILTER		71 83 153 155 157	FUEL FILTER FUEL SYSTEM MAINTENANCE KIT MAINTENANCE KIT RECOMMENDED SPARES
22241152	CABLE		7	RUNNING GEAR
22241160	PIN		7	RUNNING GEAR
22241442	CLAMP		7	RUNNING GEAR

Part Number	Denomination	WAS	Page	Subgroup
			161	RECOMMENDED SPARES
22252050	XHP 605 COMPRESSOR OIL		163	FLUIDS
22252076	XHP 605 COMPRESSOR OIL		163	FLUIDS
22252100	XHP 405 COMPRESSOR OIL		163	FLUIDS
22252126	XHP 405 COMPRESSOR OIL		163	FLUIDS
22252969	KIT, WIRE TERMINAL REPAI		173	CONNECTOR REPAIR KITS
22252993	KIT, WEDGE CONNECTOR R		173	CONNECTOR REPAIR KITS
22253017	KIT, ADHESIVE LINED HEAT		173	CONNECTOR REPAIR KITS
22254734	PACKARD WEATHER- PACK		169	SERVICE TOOLS
22254775	KIT, FUSES ASSORTMENT O		173	CONNECTOR REPAIR KITS
22255974	PACKARD METRI- PACK TER		169	SERVICE TOOLS
22279848	AIR FILTER ASSEMBLY		47	AIR INTAKE
22281588	WRENCH, T- HANDLE HEX		169	SERVICE TOOLS
22282107	SCREW DRIVER, HEX		169	SERVICE TOOLS
22282172	FLEX DRIVER		169	SERVICE TOOLS
22293419	SEAL, U-PROFILE		79	COOLING SYSTEM
			87	OPTION - ROAD LIGHTS - LIGHTING ASSEM
			89	OPTION - ROAD LIGHTS - LIGHTING ASSEM
			151	OPTION - ANTI-THEFT CHAIN
22295794	ELEMENT, AIR FILTER		47	AIR INTAKE
			155	MAINTENANCE KIT
			161	RECOMMENDED SPARES
22307433	SEAL		113	OPTION - LUBRICATOR
22307771	HOSE		105	OPTION - AFTERCOOLER
22312433	DRUM ASSEMBLY COMPLET		3	RUNNING GEAR
			7	RUNNING GEAR
22347033	CARRIER, WHEEL CHOCK		13	ENCLOSURE
22347041	CHOCK, WHEEL		13	ENCLOSURE
22392260	NUT		3	RUNNING GEAR
22404289	SETSCREW		29	AIREND ASSEMBLY
22409114	ELECTRICAL GREASE		169	SERVICE TOOLS
22411003	LEVER		123	OPTION - GENERATOR
			131	OPTION - GENERATOR
22411011	BRACKET		123	OPTION - GENERATOR
			131	OPTION - GENERATOR
22431365	ADAPTOR		145	OPTION - HOSE REEL
22431704	MOUNT		97	OPTION - SPARK ARRESTOR
22454417	ORIFICE, SONIC		39	AIR PIPING
			157	RECOMMENDED SPARES
22499164	CONTACTOR		123	OPTION - GENERATOR
			131	OPTION - GENERATOR
			161	RECOMMENDED SPARES
22610760	NIPPLE		35	SEPARATOR TANK
22617666	SEAL		25	INSTRUMENTATION / ELECTRICAL SYSTEM
			79	COOLING SYSTEM
			119	OPTION - GENERATOR
			127	OPTION - GENERATOR
22664494	DECAL, SOUND POWER		19	DECALS AND DOCUMENTATION
22711410	INSERT		123	OPTION - GENERATOR

Part Number	Denomination	WAS	Page	Subgroup
22711881	STRAP		103	OPTION - TOOLBOX
22733620	DECAL, DAILY DRAIN		23	DECALS AND DOCUMENTATION
22777759	GROMMET		83	FUEL SYSTEM
22817365	CLIP, RETAINING		79	COOLING SYSTEM
22823199	SWITCH, TEMPERATURE		29	AIREND ASSEMBLY
			157	RECOMMENDED SPARES
22855258	RIVET		13	ENCLOSURE
22897813	ARRESTOR, SPARK		97	OPTION - SPARK ARRESTOR
22903389	FUEL FILLER CAP ASSEMBL		83	FUEL SYSTEM
			157	RECOMMENDED SPARES
22921092	CLIP, RETAINING		83	FUEL SYSTEM
22932941	BOOT, WATERPROOF		119	OPTION - GENERATOR
			127	OPTION - GENERATOR
23076656	WASHER		13	ENCLOSURE
			79	COOLING SYSTEM
23128507	INDICATOR, WHEEL NUT		101	OPTION - WHEEL NUT INDICATORS
23169428	CHAIN		151	OPTION - ANTI-THEFT CHAIN
23174014	CLAMP		33	AIR INTAKE
23174931	RING, COPPER		117	OPTION - CENTRAL DRAINS
23190549	FITTING, BANJO		117	OPTION - CENTRAL DRAINS
23196660	FENDER		13	ENCLOSURE
23209489	HARNESS ASSEMBLY		87	OPTION - ROAD LIGHTS - LIGHTING ASSEM
23212863	LAMP, REVERSE		87	OPTION - ROAD LIGHTS - LIGHTING ASSEM
23275555	BOLT, BANJO		117	OPTION - CENTRAL DRAINS
23276306	BOLT, BANJO		117	OPTION - CENTRAL DRAINS
23279078	ELEMENT, OIL FILTER		29	AIREND ASSEMBLY
			153	MAINTENANCE KIT
			155	MAINTENANCE KIT
			161	RECOMMENDED SPARES
23284169	SPACER		117	OPTION - CENTRAL DRAINS
23287758	HOSE		117	OPTION - CENTRAL DRAINS
23287766	HOSE		117	OPTION - CENTRAL DRAINS
23287808	PAD, CHAIN		151	OPTION - ANTI-THEFT CHAIN
23287824	BOX, CHAIN		151	OPTION - ANTI-THEFT CHAIN
23291669	SPACER		117	OPTION - CENTRAL DRAINS
23291693	HOSE		117	OPTION - CENTRAL DRAINS
23303928	SWITCH		119	OPTION - GENERATOR
			127	OPTION - GENERATOR
			161	RECOMMENDED SPARES
23305279	CLAMP, T-BOLT		117	OPTION - CENTRAL DRAINS
23309578	CONNECTOR, PUSH IN		41	REGULATION SYSTEM
23330491	SCREW		25	INSTRUMENTATION / ELECTRICAL SYSTEM
			119	OPTION - GENERATOR
			127	OPTION - GENERATOR
23344088	WASHER, COPPER		117	OPTION - CENTRAL DRAINS
23344146	FITTING, BANJO		117	OPTION - CENTRAL DRAINS
35114081	CLAMP		37	OIL PIPING
35130053	HOSE		109	OPTION - AFTERCOOLER WITH FILTERS

Part Number	Denomination	WAS	Page	Subgroup
35222538	CLIP, RETAINING		25	INSTRUMENTATION / ELECTRICAL SYSTEM
35225077	CLAMP		25 119 127	INSTRUMENTATION / ELECTRICAL SYSTEM OPTION - GENERATOR OPTION - GENERATOR
35255553	BUTTON, START / RUN		25 119 127 157	INSTRUMENTATION / ELECTRICAL SYSTEM OPTION - GENERATOR OPTION - GENERATOR RECOMMENDED SPARES
35273366	NUT		145	OPTION - HOSE REEL
35278571	O-RING		41	REGULATION SYSTEM
35278589	O-RING		41	REGULATION SYSTEM
35279777	ELBOW		39	AIR PIPING
35279785	ADAPTOR		35	SEPARATOR TANK
35279876	ELBOW		35	SEPARATOR TANK
35279942	O-RING		35 39 113	SEPARATOR TANK AIR PIPING OPTION - LUBRICATOR
35279959	O-RING		35	SEPARATOR TANK
35283241	HOSE ASSEMBLY		35	SEPARATOR TANK
35288422	BOLT		83	FUEL SYSTEM
35290113	SCREW		29	AIREND ASSEMBLY
35290352	ELBOW		35	SEPARATOR TANK
35294685	HOSE ASSEMBLY		37	OIL PIPING
35294750	ELBOW		37	OIL PIPING
35296342	CLIP, RETAINING		79 83	COOLING SYSTEM FUEL SYSTEM
35300516	XHP 1001 COMPRESSOR OI		163	FLUIDS
35300615	INDICATOR, AIR RESTRICTI		33 157	AIR INTAKE RECOMMENDED SPARES
35314939	INDICATOR, AIR RESTRICTI		47	AIR INTAKE
35314996	CLAMP		33 99	AIR INTAKE OPTION - OVERSPEED VALVE
35323815	HOSE ASSEMBLY		37	OIL PIPING
35327212	WASHER		29 139	AIREND ASSEMBLY OPTION - TRUCK MOUNT
35330703	CLAMP		47	AIR INTAKE
35337328	STUD, BALL		13	ENCLOSURE
35363498	HOSE		79 83	COOLING SYSTEM FUEL SYSTEM
35364306	LUBRICATOR, AIR LINE		167	AIR HOSE FITTINGS
35364314	LUBRICATOR, AIR LINE		167	AIR HOSE FITTINGS
35364322	LUBRICATOR, AIR LINE		167	AIR HOSE FITTINGS
35367846	ADAPTOR		41	REGULATION SYSTEM
35371103	LUBRICATOR, AIR LINE		167	AIR HOSE FITTINGS
35371111	LUBRICATOR, AIR LINE		167	AIR HOSE FITTINGS
35371129	LUBRICATOR, AIR LINE		167	AIR HOSE FITTINGS
35376334	SPRING		31	AIREND ASSEMBLY
35376342	SPRING		31	AIREND ASSEMBLY

Part Number	Denomination	WAS	Page	Subgroup
35379817	CLIP, RETAINING		31	AIREND ASSEMBLY
35393990	HOSE		165	AIR DELIVERY HOSE
35579630	PLUG		35 157	SEPARATOR TANK RECOMMENDED SPARES
35596436	SWITCH, TEMPERATURE		41 157	REGULATION SYSTEM RECOMMENDED SPARES
35609874	WASHER		29	AIREND ASSEMBLY
35611557	STEM		31	AIREND ASSEMBLY
35611615	PISTON		31	AIREND ASSEMBLY
36136562	CAP, OVERFLOW		79 157	COOLING SYSTEM RECOMMENDED SPARES
36511623	VALVE, UNLOADER		31	AIREND ASSEMBLY
36769289	KEY		29	AIREND ASSEMBLY
36769560	CAP, FILLER		79	COOLING SYSTEM
36782464	FUSE		25 157	INSTRUMENTATION / ELECTRICAL SYSTEM RECOMMENDED SPARES
36782654	FUSE		25 157	INSTRUMENTATION / ELECTRICAL SYSTEM RECOMMENDED SPARES
36797652	SCREW		13 79	ENCLOSURE COOLING SYSTEM
36840437	ADAPTOR		35	SEPARATOR TANK
36861854	CLAMP		47	AIR INTAKE
36875565	MOUNT		45	ENGINE ASSEMBLY
36877793	SCREW		115	OPTION - BUNDED BASE
36878361	RELAY, WEATHERPROOF		25 119 127 157	INSTRUMENTATION / ELECTRICAL SYSTEM OPTION - GENERATOR OPTION - GENERATOR RECOMMENDED SPARES
36879211	NUT, FLANGE		139	OPTION - TRUCK MOUNT
36879492	SCREW		151	OPTION - ANTI-THEFT CHAIN
36881886	NUT		105 109	OPTION - AFTERCOOLER OPTION - AFTERCOOLER WITH FILTERS
36884948	TANK, EXPANSION		79	COOLING SYSTEM
36889608	SCREW		115	OPTION - BUNDED BASE
36898096	SCREW		103 115	OPTION - TOOLBOX OPTION - BUNDED BASE
39322284	SEAL		31	AIREND ASSEMBLY
46490942	DEUTCH TERMINAL REMOV		169	SERVICE TOOLS
46490959	PACKARD METRI- PACK TER		169	SERVICE TOOLS
46490967	PACKARD METRI- PACK TER		169	SERVICE TOOLS
46490975	PACKARD METRI- PACK TER		169	SERVICE TOOLS
46490983	KIT, DEUTSCH CONNECTOR		173	CONNECTOR REPAIR KITS
46491296	KIT, PACKARD CONNECTOR		173	CONNECTOR REPAIR KITS
46491304	KIT, CATERPILLAR C9, C15,		173	CONNECTOR REPAIR KITS
46491312	KIT, OTC AND AUTOSTART		173	CONNECTOR REPAIR KITS
46491320	AMP AMPSEAL TERMINAL C		169	SERVICE TOOLS
46491338	MOLEX 1.5 TERMINAL CRIM		169	SERVICE TOOLS
46491346	MOLEX 0.6 TERMINAL CRIM		169	SERVICE TOOLS



Part Number	Denomination	WAS	Page	Subgroup
46491361	MOLEX 0.6 TERMINAL REMO		169	SERVICE TOOLS
46491411	KIT, JOHN DEERE AND YAN		173	CONNECTOR REPAIR KITS
46491429	KIT, CUMMINS QSX15 ENGINE		173	CONNECTOR REPAIR KITS
46491502	KIT, SECU AND REMOTE CO		173	CONNECTOR REPAIR KITS
46491569	KIT, CUMMINS OSL9 AND QS		173	CONNECTOR REPAIR KITS
46491653	MOLEX 1.5 TERMINAL REMO		169	SERVICE TOOLS
46491999	CONTROLLER		25 157	INSTRUMENTATION / ELECTRICAL SYSTEM RECOMMENDED SPARES
46492955	COUPLING		29	AIREND ASSEMBLY
46501292	WASHER		25	INSTRUMENTATION / ELECTRICAL SYSTEM
46501748	BREAKER, BLOCK		123 131 161	OPTION - GENERATOR OPTION - GENERATOR RECOMMENDED SPARES
46501755	BREAKER, CIRCUIT		123 161	OPTION - GENERATOR RECOMMENDED SPARES
46501904	BREAKER, CIRCUIT		131	OPTION - GENERATOR
46501912	BREAKER, CIRCUIT		131	OPTION - GENERATOR
46501920	BREAKER, CIRCUIT		131	OPTION - GENERATOR
46502084	CABLE, POSITIVE		25	INSTRUMENTATION / ELECTRICAL SYSTEM
46502795	CLAMP		115	OPTION - BUNDED BASE
46502811	SEAL, DOOR		123 131	OPTION - GENERATOR OPTION - GENERATOR
46502837	HOSE		79	COOLING SYSTEM
46517447	CLIP, RETAINING		3	RUNNING GEAR
46517454	PISTON		3	RUNNING GEAR
46517827	KIT, DAMPER		3 7 161	RUNNING GEAR RUNNING GEAR RECOMMENDED SPARES
46520367	SPACER, ALTERNATOR		75	ALTERNATOR
46539789	SEPARATOR, WATER		109	OPTION - AFTERCOOLER WITH FILTERS
46540712	FILTER, FINE		109	OPTION - AFTERCOOLER WITH FILTERS
46540720	FILTER, PRIME		109	OPTION - AFTERCOOLER WITH FILTERS
46540977	SOCKET		127	OPTION - GENERATOR
46540993	SOCKET		119	OPTION - GENERATOR
46541223	NUT		25 119 127	INSTRUMENTATION / ELECTRICAL SYSTEM OPTION - GENERATOR OPTION - GENERATOR
46541231	CONNECTOR		105 109	OPTION - AFTERCOOLER OPTION - AFTERCOOLER WITH FILTERS
46550535	SWITCH		61 157	LUBE OIL PIPE RECOMMENDED SPARES
46550643	ADAPTOR, LIGHTING PLUG		93	OPTION - LIGHTING PLUG ADAPTOR
46550963	CABLE		3 7 161	RUNNING GEAR RUNNING GEAR RECOMMENDED SPARES
46551222	CJ4 ENGINE OIL (CJ-4 15W-4		163	FLUIDS
46551223	CJ4 ENGINE OIL (CJ-4 15W-4		163	FLUIDS
46551502	BRACKET		13	ENCLOSURE

Part Number	Denomination	WAS	Page	Subgroup
46551699	NIPPLE		109	OPTION - AFTERCOOLER WITH FILTERS
46551736	COMPONENT BOX, METAL		123 131	OPTION - GENERATOR OPTION - GENERATOR
46551737	COVER		123 131	OPTION - GENERATOR OPTION - GENERATOR
46551756	HARNES, GEN BOX		131	OPTION - GENERATOR
46551760	COMPONENT BOX, METAL A		123 131	OPTION - GENERATOR OPTION - GENERATOR
46551761	COVER, COMPONENT BOX		123 131	OPTION - GENERATOR OPTION - GENERATOR
46551762	COVER, ELECTRICAL		123 131	OPTION - GENERATOR OPTION - GENERATOR
46551770	LATCH		123 131	OPTION - GENERATOR OPTION - GENERATOR
46551786	WASHER		123 131	OPTION - GENERATOR OPTION - GENERATOR
46551790	HARNES, GENERATOR BO		123	OPTION - GENERATOR
46552106	CONNECTOR, MALE STUD		109	OPTION - AFTERCOOLER WITH FILTERS
46552157	WASHER		151	OPTION - ANTI-THEFT CHAIN
46552196	CABLE		123 131	OPTION - GENERATOR OPTION - GENERATOR
46552235	SCREW		123 131	OPTION - GENERATOR OPTION - GENERATOR
46553542	COVER		31	AIREND ASSEMBLY
46553553	COVER, INLET		31	AIREND ASSEMBLY
46553556	BEARING		31	AIREND ASSEMBLY
46553557	O-RING		31	AIREND ASSEMBLY
46553655	EYE, TOWING		3	RUNNING GEAR
46553733	ELBOW		35	SEPARATOR TANK
46553802	DECAL, DO NOT USE AS ST		21	DECALS AND DOCUMENTATION
46553813	BREAKER, CIRCUIT		123 161	OPTION - GENERATOR RECOMMENDED SPARES
46555512	GASKET		57	TURBOCHARGER
46555513	TURBOCHARGER		57	TURBOCHARGER
46555514	GASKET		57	TURBOCHARGER
46555531	WATER PUMP ASSEMBLY		63	COOLING WATER SYSTEM
46555535	V-BELT		63 157	COOLING WATER SYSTEM RECOMMENDED SPARES
46555538	SOLENOID, STOP		67	GOVERNOR
46555550	ALTERNATOR ASSEMBLY		75	ALTERNATOR
46556146	SWITCH, BATTERY DISCON		147	OPTION - BATTERY DISCONNECT
46556528	PROTECTOR		37	OIL PIPING
46556766	HOLDER, PLUG		87 89	OPTION - ROAD LIGHTS - LIGHTING ASSEM OPTION - ROAD LIGHTS - LIGHTING ASSEM
46557109	HOURLMETER		25 119 127 157	INSTRUMENTATION / ELECTRICAL SYSTEM OPTION - GENERATOR OPTION - GENERATOR RECOMMENDED SPARES
46557458	KIT, LIGHTING PLUG ADAPT		93	OPTION - LIGHTING PLUG ADAPTOR

Part Number	Denomination	WAS	Page	Subgroup
46558960	KIT, SAFETY CHAINS		137	OPTION - SAFETY CHAINS
46558961	KIT, SAFETY CHAINS		137	OPTION - SAFETY CHAINS
46560699	RIVET		13	ENCLOSURE
46561399	GROMMET		25	INSTRUMENTATION / ELECTRICAL SYSTEM
46562239	STUD		49 57	EXHAUST SYSTEM TURBOCHARGER
46569660	HITCH, BALL		3	RUNNING GEAR
46569679	EYE, TOWING		3 7	RUNNING GEAR RUNNING GEAR
46569683	EYE, TOWING		3 7	RUNNING GEAR RUNNING GEAR
46569699	EYE, TOWING		3 7	RUNNING GEAR RUNNING GEAR
46570661	HOLDER, DOOR		25 119 127	INSTRUMENTATION / ELECTRICAL SYSTEM OPTION - GENERATOR OPTION - GENERATOR
46570819	RETAINER		13	ENCLOSURE
46573859	DECAL, DOOSAN TRI-COLO		19	DECALS AND DOCUMENTATION
46573922	DECAL, DOOSAN LOGO		19	DECALS AND DOCUMENTATION
46584999	SCREW		79 87 89	COOLING SYSTEM OPTION - ROAD LIGHTS - LIGHTING ASSEM OPTION - ROAD LIGHTS - LIGHTING ASSEM
46592579	FOAM FIELD KIT (no adhesive)		13	ENCLOSURE
46592580	FOAM FIELD KIT (no adhesive)		13	ENCLOSURE
46594601	CONNECTOR, ORIFICE		105 109	OPTION - AFTERCOOLER OPTION - AFTERCOOLER WITH FILTERS
46598459	BOX, SOCKET		119 127	OPTION - GENERATOR OPTION - GENERATOR
46604119	SCREW		13	ENCLOSURE
46616259	ADAPTOR, LIGHTING PLUG		95	OPTION - LIGHTING PLUG ADAPTOR
46621408	COVER		13	ENCLOSURE
46622025	PLATE, NUT		119 127	OPTION - GENERATOR OPTION - GENERATOR
46622141	SOCKET		127	OPTION - GENERATOR
46622142	SOCKET		119	OPTION - GENERATOR
46622770	KIT, LIGHTING PLUG ADAPT		95	OPTION - LIGHTING PLUG ADAPTOR
46623661	HOSE		47	AIR INTAKE
46624007	ADAPTOR		41	REGULATION SYSTEM
46624284	SCREW		29 37	AIREND ASSEMBLY OIL PIPING
46624439	SEPARATOR FILTER ASSEM		35	SEPARATOR TANK
46624440	BASE, FILTER		35	SEPARATOR TANK
46627615	DECAL, HORIZONTAL POSIT		19	DECALS AND DOCUMENTATION
46636946	ENGINE, ASSEMBLY		45	ENGINE ASSEMBLY
46638560	SCREW		151	OPTION - ANTI-THEFT CHAIN
46638964	REGULATOR, PRESSURE		41 157	REGULATION SYSTEM RECOMMENDED SPARES
46642979	HOSE ASSEMBLY		145	OPTION - HOSE REEL

Part Number	Denomination	WAS	Page	Subgroup
46645701	ELEMENT, SEPARATOR		35	SEPARATOR TANK
			155	MAINTENANCE KIT
			161	RECOMMENDED SPARES
46651403	KIT, PIVOT		7	RUNNING GEAR
46652105	PRO-TEC ENGINE OIL		163	FLUIDS
46652106	PRO-TEC ENGINE OIL		163	FLUIDS
46652460	FRAME, WELDED		11	MAIN FRAME
46652461	PANEL, PAINTED		13	ENCLOSURE
46652462	PANEL		13	ENCLOSURE
46652463	PANEL ASSEMBLY		13	ENCLOSURE
46652464	PANEL		13	ENCLOSURE
46652465	SUPPORT		79	COOLING SYSTEM
46652466	CANOPY, PAINTED		13	ENCLOSURE
			105	OPTION - AFTERCOOLER
			109	OPTION - AFTERCOOLER WITH FILTERS
46652467	CANOPY, PAINTED		13	ENCLOSURE
			135	OPTION - ENCLOSURE
46652534	LOUVRE		13	ENCLOSURE
46652682	VALVE, OVERSPEED		99	OPTION - OVERSPEED VALVE
46652689	O-RING		71	FUEL FILTER
46652810	HARNESS ASSEMBLY		25	INSTRUMENTATION / ELECTRICAL SYSTEM
46652822	BRACKET, ENGINE MOUNT		45	ENGINE ASSEMBLY
46652823	BRACKET, ENGINE MOUNT		45	ENGINE ASSEMBLY
46652825	BRACKET		41	REGULATION SYSTEM
46652851	COOLER, OIL AND WATER		79	COOLING SYSTEM
46652879	LOUVRE		13	ENCLOSURE
46652972	NECK, FILLER		79	COOLING SYSTEM
46652980	BAIL, LIFTING		11	MAIN FRAME
46652981	EYE, LIFTING BAIL		11	MAIN FRAME
46653088	TANK, SEPARATOR		35	SEPARATOR TANK
46653089	BRACKET		33	AIR INTAKE
46653138	GASKET		37	OIL PIPING
46653140	PANEL, INSTRUMENT		25	INSTRUMENTATION / ELECTRICAL SYSTEM
46653143	TANK, FUEL		83	FUEL SYSTEM
46653249	CONROL PANEL ASSEMBLY		25	INSTRUMENTATION / ELECTRICAL SYSTEM
46653251	BRACKET		25	INSTRUMENTATION / ELECTRICAL SYSTEM
			119	OPTION - GENERATOR
			127	OPTION - GENERATOR
46653283	DECAL, FASCIA		25	INSTRUMENTATION / ELECTRICAL SYSTEM
46653284	LED PANEL ASSEMBLY		25	INSTRUMENTATION / ELECTRICAL SYSTEM
			119	OPTION - GENERATOR
			127	OPTION - GENERATOR
			157	RECOMMENDED SPARES
46653286	BUSH		25	INSTRUMENTATION / ELECTRICAL SYSTEM
			119	OPTION - GENERATOR
			127	OPTION - GENERATOR
46653402	TUBE ASSEMBLY		37	OIL PIPING
46653498	FLANGE		37	OIL PIPING

Part Number	Denomination	WAS	Page	Subgroup
46653657	TUBE ASSEMBLY		35	SEPARATOR TANK
46653683	BRACKET		49	EXHAUST SYSTEM
46653722	BRACKET		49	EXHAUST SYSTEM
46654693	HOSE		79	COOLING SYSTEM
46654695	PIPE		79	COOLING SYSTEM
46654736	COVER		13	ENCLOSURE
46654871	HOSE		47 99	AIR INTAKE OPTION - OVERSPEED VALVE
46654872	TUBE ASSEMBLY		39	AIR PIPING
46654892	SUPPORT		13	ENCLOSURE
46654893	SUPPORT		13	ENCLOSURE
46654913	PIN		11	MAIN FRAME
46654914	HOLDER		11	MAIN FRAME
46654978	SPACER		11	MAIN FRAME
46654990	SPACER		49	EXHAUST SYSTEM
46654992	TUBE ASSEMBLY		49	EXHAUST SYSTEM
46654994	TUBE		49	EXHAUST SYSTEM
46655005	HOLDER		11	MAIN FRAME
46655010	STRAP		83	FUEL SYSTEM
46655027	LIFTING BAIL ASSEMBLY		11	MAIN FRAME
46655044	RUNNING GEAR ASSEMBLY		7	RUNNING GEAR
46655045	RUNNING GEAR ASSEMBLY		3	RUNNING GEAR
46655160	CANOPY ASSEMBLY		13	ENCLOSURE
46655161	CANOPY ASSEMBLY		13	ENCLOSURE
46655168	PANEL ASSEMBLY		13	ENCLOSURE
46655169	PANEL ASSEMBLY		13	ENCLOSURE
46655195	HOSE		33	AIR INTAKE
46655220	GUARD, FAN		79	COOLING SYSTEM
46655625	FUEL TANK ASSEMBLY		83	FUEL SYSTEM
46655743	DECAL, CONTROL PANEL		119 127	OPTION - GENERATOR OPTION - GENERATOR
46656608	GUARD, ALTERNATOR		79	COOLING SYSTEM
46656616	PLATE, DATA		23	DECALS AND DOCUMENTATION
46656681	CABLE COVER ASSEMBLY		3 7	RUNNING GEAR RUNNING GEAR
46656688	KIT, CONNECTING		3 7	RUNNING GEAR RUNNING GEAR
46656693	KIT, PIVOT		7	RUNNING GEAR
46656741	COVER, INSTRUMENT PANE		25 119 127	INSTRUMENTATION / ELECTRICAL SYSTEM OPTION - GENERATOR OPTION - GENERATOR
46656743	DECAL, WEB SITE		19	DECALS AND DOCUMENTATION
46656788	HOSE		83	FUEL SYSTEM
46656865	BRACKET		33	AIR INTAKE
46656866	HOUSING		33	AIR INTAKE
46656868	SPRING, GAS		13	ENCLOSURE

Part Number	Denomination	WAS	Page	Subgroup
			7	RUNNING GEAR
46663095	DECAL, TIE DOWN		23	DECALS AND DOCUMENTATION
46663145	BRACKET		47	AIR INTAKE
46663173	ELBOW		47	AIR INTAKE
46663241	DECAL, DO NOT START		23	DECALS AND DOCUMENTATION
46663242	DECAL, MAINTENANCE IN P		23	DECALS AND DOCUMENTATION
46663243	DECAL, COOLANT FILL		21	DECALS AND DOCUMENTATION
46663244	DECAL, HEARING PROTECTI		23	DECALS AND DOCUMENTATION
46663284	TOOLBOX		103	OPTION - TOOLBOX
46663743	AIREND		29	AIREND ASSEMBLY
46663842	SUMP		115	OPTION - BUNDED BASE
46663843	STRIP, STRENGTHENING		115	OPTION - BUNDED BASE
46663844	STRIP, STRENGTHENING		115	OPTION - BUNDED BASE
46664230	STRIP, STRENGTHENING		115	OPTION - BUNDED BASE
46664263	WASHER		115	OPTION - BUNDED BASE
46664303	MANIFOLD		117	OPTION - CENTRAL DRAINS
46664393	AXLE ASSEMBLY COMPLET		3	RUNNING GEAR
			7	RUNNING GEAR
46666147	SEAL		117	OPTION - CENTRAL DRAINS
46666160	SUPPORT		115	OPTION - BUNDED BASE
46666588	ELBOW		105	OPTION - AFTERCOOLER
46666589	ELBOW		105	OPTION - AFTERCOOLER
46666626	CANOPY ASSEMBLY		105	OPTION - AFTERCOOLER
			109	OPTION - AFTERCOOLER WITH FILTERS
46666628	PANEL		105	OPTION - AFTERCOOLER
			109	OPTION - AFTERCOOLER WITH FILTERS
			135	OPTION - ENCLOSURE
46666728	PULLEY		123	OPTION - GENERATOR
			131	OPTION - GENERATOR
46666819	HOLDER, SCREWS		123	OPTION - GENERATOR
			131	OPTION - GENERATOR
46666840	GUARD		123	OPTION - GENERATOR
			131	OPTION - GENERATOR
46667979	PIPE		97	OPTION - SPARK ARRESTOR
46667980	PIPE, TAIL		97	OPTION - SPARK ARRESTOR
46668082	NUT		115	OPTION - BUNDED BASE
46668085	NUT		117	OPTION - CENTRAL DRAINS
46668346	STRAINER		83	FUEL SYSTEM
			157	RECOMMENDED SPARES
46668417	EYE		13	ENCLOSURE
46668501	HARNESS, COMPONENT BO		123	OPTION - GENERATOR
46669134	SEAL		115	OPTION - BUNDED BASE
46669135	SEAL		115	OPTION - BUNDED BASE
46669136	SEAL		115	OPTION - BUNDED BASE
46669677	DECAL, MODEL NUMBER 7/5		19	DECALS AND DOCUMENTATION
46669678	CONNECTOR, BULKHEAD		115	OPTION - BUNDED BASE
46671064	TUBE ASSEMBLY		35	SEPARATOR TANK

Part Number	Denomination	WAS	Page	Subgroup
46671798	BRACKET		13	ENCLOSURE
46671799	BRACKET		13	ENCLOSURE
46671800	WASHER		13	ENCLOSURE
46671803	GUARD		13	ENCLOSURE
46672831	PANEL ASSEMBLY		13	ENCLOSURE
46673290	COVER		13 135	ENCLOSURE OPTION - ENCLOSURE
46673291	COVERPLATE		13 135	ENCLOSURE OPTION - ENCLOSURE
46673573	GASKET		49	EXHAUST SYSTEM
46673575	SEPARATOR, WATER		83	FUEL SYSTEM
46673576	FAN		45	ENGINE ASSEMBLY
46673581	LEVER		41	REGULATION SYSTEM
46673582	VALVE, CHECK		41 157	REGULATION SYSTEM RECOMMENDED SPARES
46673722	MANUAL, PARTS CATALOGU		19	DECALS AND DOCUMENTATION
46673723	MANUAL, OPERATION AND		19	DECALS AND DOCUMENTATION
46673759	CABLE, NEGATIVE		25	INSTRUMENTATION / ELECTRICAL SYSTEM
46673760	CABLE, GROUND		25	INSTRUMENTATION / ELECTRICAL SYSTEM
46674080	CONTROL PANEL ASSEMBL		119	OPTION - GENERATOR
46674241	ELBOW		113	OPTION - LUBRICATOR
46674346	GASKET, BONNET		51	ROCKER COVER
46674347	HEATER		53	AIR INTAKE MANIFOLD
46674348	O-RING		67	GOVERNOR
46674349	INJECTION PUMP ASSEMBL		65	FUEL INJECTION PUMP
46674350	RETAINER		65	FUEL INJECTION PUMP
46674351	INJECTOR ASSEMBLY		69	FUEL INJECTION VALVE
46674352	PIPE ASSEMBLY		69	FUEL INJECTION VALVE
46674353	SET, SHIM		69	FUEL INJECTION VALVE
46674354	O-RING		61	LUBE OIL PIPE
46674355	SPRING		67	GOVERNOR
46674356	PIPE ASSEMBLY		71	FUEL FILTER
46674357	PIPE ASSEMBLY		71	FUEL FILTER
46674358	PIPE ASSEMBLY		69	FUEL INJECTION VALVE
46674359	PIPE ASSEMBLY		69	FUEL INJECTION VALVE
46674360	PIPE ASSEMBLY		69	FUEL INJECTION VALVE
46674362	ELEMENT, FUEL FILTER		71 153 155 157	FUEL FILTER MAINTENANCE KIT MAINTENANCE KIT RECOMMENDED SPARES
46674363	FLOAT		71	FUEL FILTER
46674364	PIPE ASSEMBLY		69	FUEL INJECTION VALVE
46674365	PIPE ASSEMBLY		69	FUEL INJECTION VALVE
46674366	SWITCH ASSEMBLY		73	STARTER MOTOR
46674367	NUT		75	ALTERNATOR
46674368	O-RING		71	FUEL FILTER

Part Number	Denomination	WAS	Page	Subgroup
46674370	PULLEY		75	ALTERNATOR
46674372	COLLAR		75	ALTERNATOR
46674373	REGULATOR ASSEMBLY		75	ALTERNATOR
46674374	ADJUSTER		75	ALTERNATOR
46674375	HOLDER, BRUSH		75	ALTERNATOR
46674376	BOLT		75	ALTERNATOR
46674377	SET, GASKET		77 157	GASKET SET RECOMMENDED SPARES
46674624	BRACKET		105 109	OPTION - AFTERCOOLER OPTION - AFTERCOOLER WITH FILTERS
46674625	BRACKET		105 109	OPTION - AFTERCOOLER OPTION - AFTERCOOLER WITH FILTERS
46674626	BRACKET		105 109	OPTION - AFTERCOOLER OPTION - AFTERCOOLER WITH FILTERS
46674979	GASKET		115	OPTION - BUNDED BASE
46674980	PANEL		105 109	OPTION - AFTERCOOLER OPTION - AFTERCOOLER WITH FILTERS
46676780	SEAL		115	OPTION - BUNDED BASE
46676995	LEVER ASSEMBLY		3	RUNNING GEAR
46676996	KIT, LEVER COMPLETE		3	RUNNING GEAR
46677005	PIN		3	RUNNING GEAR
46677007	CLAMP		7	RUNNING GEAR
46677171	BRACKET		97	OPTION - SPARK ARRESTOR
46677309	STRIP, STRENGTHENING		115	OPTION - BUNDED BASE
46677505	DRAWBAR		3	RUNNING GEAR
46678002	FITTING		117	OPTION - CENTRAL DRAINS
46678054	PROTECTOR		79 83	COOLING SYSTEM FUEL SYSTEM
46678331	CHAIN		11	MAIN FRAME
46678355	BRACKET		113	OPTION - LUBRICATOR
46678380	HOSE		79	COOLING SYSTEM
46678391	CONNECTOR		79	COOLING SYSTEM
46678551	DECAL, FORKLIFT		19	DECALS AND DOCUMENTATION
46678954	FRAME		139 141	OPTION - TRUCK MOUNT OPTION - PERMANENT MOUNT
46678956	SUPPORT, FRONT		139 141 143	OPTION - TRUCK MOUNT OPTION - PERMANENT MOUNT OPTION - SHIPPING SKID
46678958	SUPPORT, REAR		139 141 143	OPTION - TRUCK MOUNT OPTION - PERMANENT MOUNT OPTION - SHIPPING SKID
46679019	KIT, 500 HOURS		153	MAINTENANCE KIT
46679020	KIT, 1000 HOURS		155	MAINTENANCE KIT
46679454	COVER		117	OPTION - CENTRAL DRAINS
46679455	HOSE		115	OPTION - BUNDED BASE
46679461	PROTECTOR, HOSE		117	OPTION - CENTRAL DRAINS
46679520	SPACER		139 141	OPTION - TRUCK MOUNT OPTION - PERMANENT MOUNT



Part Number	Denomination	WAS	Page	Subgroup
46679597	ISOLATOR		139	OPTION - TRUCK MOUNT
46679598	ISOLATOR		139	OPTION - TRUCK MOUNT
46679684	MANUAL, OPERATION AND		19	DECALS AND DOCUMENTATION
46679685	MANUAL, OPERATION AND		19	DECALS AND DOCUMENTATION
46679686	MANUAL, OPERATION AND		19	DECALS AND DOCUMENTATION
46679687	MANUAL, OPERATION AND		19	DECALS AND DOCUMENTATION
46679981	SEPARATOR ASSEMBLY		71	FUEL FILTER
46679986	HARNESS, COMPONENT BO		131	OPTION - GENERATOR
46679993	CONTROL PANEL ASSEMBL		127	OPTION - GENERATOR
46680232	ADAPTOR		41	REGULATION SYSTEM
46680491	FOAM FIELD KIT		13	ENCLOSURE
46681344	CANOPY ASSEMBLY		135	OPTION - ENCLOSURE
46681345	CANOPY ASSEMBLY		135	OPTION - ENCLOSURE
46681346	PANEL		135	OPTION - ENCLOSURE
46681356	CANOPY, PAINTED		135	OPTION - ENCLOSURE
46683038	MUFFLER, EXHAUST		49 97	EXHAUST SYSTEM OPTION - SPARK ARRESTOR
46683059	NUT		151	OPTION - ANTI-THEFT CHAIN
46687880	ROD, BRAKE		3 161	RUNNING GEAR RECOMMENDED SPARES
46689327	BRACKET		145	OPTION - HOSE REEL
46689328	BRACKET		145	OPTION - HOSE REEL
46690248	TUBE		49	EXHAUST SYSTEM
46690790	BRACKET		109	OPTION - AFTERCOOLER WITH FILTERS
46690814	BRACKET		109	OPTION - AFTERCOOLER WITH FILTERS
46693165	BRAKE ROD ASSEMBLY		7	RUNNING GEAR
46693166	DRAWBAR ASSEMBLY COM		7	RUNNING GEAR
46693167	DRAWBAR		7	RUNNING GEAR
46694144	BRACKET		151	OPTION - ANTI-THEFT CHAIN
46694147	PANEL ASSEMBLY		151	OPTION - ANTI-THEFT CHAIN
46694318	TUBE ASSEMBLY		105 109	OPTION - AFTERCOOLER OPTION - AFTERCOOLER WITH FILTERS
46694403	TUBE ASSEMBLY		109	OPTION - AFTERCOOLER WITH FILTERS
46694462	TUBE ASSEMBLY		105	OPTION - AFTERCOOLER
46694809	CLAMP		105	OPTION - AFTERCOOLER
46694810	BRACKET		105	OPTION - AFTERCOOLER
46696850	BRACKET		147	OPTION - BATTERY DISCONNECT
46696860	CABLE		147	OPTION - BATTERY DISCONNECT
46696861	CABLE		147	OPTION - BATTERY DISCONNECT
46696872	HARNESS		149	OPTION - EMERGENCY STOP BUTTON
46699476	ORIFICE		41	REGULATION SYSTEM
46702023	KIT, CONNECTING		3 7	RUNNING GEAR RUNNING GEAR
46702166	KIT, CONNECTING		3 7	RUNNING GEAR RUNNING GEAR
54403191	ELBOW		35	SEPARATOR TANK

Part Number	Denomination	WAS	Page	Subgroup
54403266	ELBOW		105	OPTION - AFTERCOOLER
			109	OPTION - AFTERCOOLER WITH FILTERS
			113	OPTION - LUBRICATOR
54438221	LINK		41	REGULATION SYSTEM
54440102	CYLINDER, PNEUMATIC		41	REGULATION SYSTEM
			157	RECOMMENDED SPARES
54470968	SCREW		13	ENCLOSURE
54471057	ISOLATOR		29	AIREND ASSEMBLY
54493085	JOINT, BALL		41	REGULATION SYSTEM
54518410	SCREW		41	REGULATION SYSTEM
54533047	CAP, FUEL FILLER		83	FUEL SYSTEM
54540471	SWITCH, LOW FUEL LEVEL		83	FUEL SYSTEM
			157	RECOMMENDED SPARES
54580139	GROMMET		83	FUEL SYSTEM
54580154	ELBOW, BARBED		83	FUEL SYSTEM
54581921	SPACER		123	OPTION - GENERATOR
			131	OPTION - GENERATOR
54601901	DROP-TUBE		83	FUEL SYSTEM
54603337	PULLEY		123	OPTION - GENERATOR
			131	OPTION - GENERATOR
54629977	DECAL, ISO CENTRAL DRAI		23	DECALS AND DOCUMENTATION
			117	OPTION - CENTRAL DRAINS
54640453	CLIP, RETAINING		79	COOLING SYSTEM
54668736	HOSE ASSEMBLY		109	OPTION - AFTERCOOLER WITH FILTERS
54699616	DEUTCH TERMINAL REMOV		169	SERVICE TOOLS
54699624	DEUTCH TERMINAL REMOV		169	SERVICE TOOLS
54699632	DEUTCH TERMINAL REMOV		169	SERVICE TOOLS
54699640	DEUTCH TERMINAL REMOV		169	SERVICE TOOLS
54699657	DEUTCH WEDGELOCK AND		169	SERVICE TOOLS
54729660	PACKARD WEATHER- PACK		169	SERVICE TOOLS
54729710	ELECTRICAL CONTACT CLE		169	SERVICE TOOLS
54729777	CLAMP		49	EXHAUST SYSTEM
			97	OPTION - SPARK ARRESTOR
54737408	WHEEL AND TYRE ASSEMB		3	RUNNING GEAR
			7	RUNNING GEAR
54740675	SERIAL CABLE, HEAVY DUT		169	SERVICE TOOLS
54748363	VALVE, BLOWDOWN		41	REGULATION SYSTEM
			105	OPTION - AFTERCOOLER
			109	OPTION - AFTERCOOLER WITH FILTERS
			157	RECOMMENDED SPARES
54749544	RTD SIMULATOR		169	SERVICE TOOLS
54749551	THERMISTOR SIMULATOR		169	SERVICE TOOLS
54749643	PACKARD METRI- PACK TER		169	SERVICE TOOLS
54756317	RIVET		13	ENCLOSURE
			109	OPTION - AFTERCOOLER WITH FILTERS
			135	OPTION - ENCLOSURE
54774492	EYE, TOWING		3	RUNNING GEAR
			7	RUNNING GEAR
54774500	EYE, TOWING		3	RUNNING GEAR

Part Number	Denomination	WAS	Page	Subgroup
54774518	EYE, TOWING		3	RUNNING GEAR
			7	RUNNING GEAR
54774534	EYE, TOWING		3	RUNNING GEAR
			7	RUNNING GEAR
54774542	EYE, TOWING		3	RUNNING GEAR
			7	RUNNING GEAR
80029069	KIT, CONNECTING		3	RUNNING GEAR
			7	RUNNING GEAR
80029077	KIT, CONNECTING		3	RUNNING GEAR
			7	RUNNING GEAR
80029218	KIT, EXPANDING KEY		3	RUNNING GEAR
			7	RUNNING GEAR
80029226	KIT, BRAKE SHOE		3	RUNNING GEAR
			7	RUNNING GEAR
			161	RECOMMENDED SPARES
80029234	KIT, ADJUSTER WEDGE		3	RUNNING GEAR
			7	RUNNING GEAR
80029259	KIT, CONNECTING		3	RUNNING GEAR
			7	RUNNING GEAR
80029267	KIT, CONNECTING		3	RUNNING GEAR
			7	RUNNING GEAR
80029275	KIT, CONNECTING		3	RUNNING GEAR
			7	RUNNING GEAR
80029283	KIT, LEVER		7	RUNNING GEAR
88091889	BUSH		123	OPTION - GENERATOR
			131	OPTION - GENERATOR
88111091	WASHER		13	ENCLOSURE
88123229	GENERATOR		131	OPTION - GENERATOR
89200968	HOSE REEL ASSEMBLY		145	OPTION - HOSE REEL
89203822	BRACKET		87	OPTION - ROAD LIGHTS - LIGHTING ASSEM
			89	OPTION - ROAD LIGHTS - LIGHTING ASSEM
89204648	VOLTMETER		127	OPTION - GENERATOR
89204721	AIR FILTER ASSEMBLY		33	AIR INTAKE
89230494	GENERATOR		123	OPTION - GENERATOR
89230742	ADAPTOR		145	OPTION - HOSE REEL
89231005	VOLTMETER		119	OPTION - GENERATOR
			161	RECOMMENDED SPARES
89232474	ELEMENT, AIR FILTER		33	AIR INTAKE
			155	MAINTENANCE KIT
			161	RECOMMENDED SPARES
89244008	ELBOW		41	REGULATION SYSTEM
89257067	PROTECTOR		13	ENCLOSURE
89257497	ELBOW, BARBED		83	FUEL SYSTEM
89259485	VALVE, SAFETY		35	SEPARATOR TANK
			157	RECOMMENDED SPARES
89260608	PLUG		11	MAIN FRAME
89282867	FUSE, HOLDER		25	INSTRUMENTATION / ELECTRICAL SYSTEM
			157	RECOMMENDED SPARES
89292973	PRO-TEC COMPRESSOR OI		163	FLUIDS
89292981	PRO-TEC COMPRESSOR OI		163	FLUIDS

Part Number	Denomination	WAS	Page	Subgroup
89298491	DECAL, PROTEC OIL		21	DECALS AND DOCUMENTATION
89303127	SWITCH, EMERGENCY STO		149	OPTION - EMERGENCY STOP BUTTON
89303135	BLOCK, CONTACT		149	OPTION - EMERGENCY STOP BUTTON
89310718	HOSE		165	AIR DELIVERY HOSE
90141078	BOLT		45	ENGINE ASSEMBLY
92047331	HOSE		165	AIR DELIVERY HOSE
92058429	WASHER		45 115	ENGINE ASSEMBLY OPTION - BUNDED BASE
92061480	WASHER		83	FUEL SYSTEM
92061506	WASHER		123 131 151	OPTION - GENERATOR OPTION - GENERATOR OPTION - ANTI-THEFT CHAIN
92063296	COUPLING, MALE		167	AIR HOSE FITTINGS
92063379	COUPLING, HOSE		167	AIR HOSE FITTINGS
92063387	CLAMP, HOSE		167	AIR HOSE FITTINGS
92085729	REFLECTOR, WHITE		13	ENCLOSURE
92087832	ELBOW		35	SEPARATOR TANK
92089556	SILENCER		119 127	OPTION - GENERATOR OPTION - GENERATOR
92094358	KEY		13 135	ENCLOSURE OPTION - ENCLOSURE
92096015	SCREW		13 25 83 97 105 109	ENCLOSURE INSTRUMENTATION / ELECTRICAL SYSTEM FUEL SYSTEM OPTION - SPARK ARRESTOR OPTION - AFTERCOOLER OPTION - AFTERCOOLER WITH FILTERS
92101112	SCREW		35 119 127	SEPARATOR TANK OPTION - GENERATOR OPTION - GENERATOR
92111335	HOSE, TRANSPARENT		79 105 109	COOLING SYSTEM OPTION - AFTERCOOLER OPTION - AFTERCOOLER WITH FILTERS
92112226	HOSE		165	AIR DELIVERY HOSE
92119445	PIN, HINGE		13	ENCLOSURE
92119460	WASHER		13	ENCLOSURE
92119957	SEAL		13 135	ENCLOSURE OPTION - ENCLOSURE
92121243	REFLECTOR, AMBER		13	ENCLOSURE
92123207	ELBOW		41	REGULATION SYSTEM
92123215	ADAPTOR		37	OIL PIPING
92123231	ELBOW		35	SEPARATOR TANK
92147990	SLEEVE, INNER		123 131	OPTION - GENERATOR OPTION - GENERATOR
92148006	BEARING		123 131	OPTION - GENERATOR OPTION - GENERATOR
92150978	COUPLING, HOSE		167	AIR HOSE FITTINGS
92150986	CLAMP, HOSE		167	AIR HOSE FITTINGS
92178524	COUPLING, CLAW		39 157	AIR PIPING RECOMMENDED SPARES

Part Number	Denomination	WAS	Page	Subgroup
92178532	COUPLING, FEMALE		167	AIR HOSE FITTINGS
92178565	SEAL		39 167	AIR PIPING AIR HOSE FITTINGS
92179043	SCREW		25 115	INSTRUMENTATION / ELECTRICAL SYSTEM OPTION - BUNDED BASE
92184811	SCREW		13 79 105 109	ENCLOSURE COOLING SYSTEM OPTION - AFTERCOOLER OPTION - AFTERCOOLER WITH FILTERS
92185016	ELBOW		113	OPTION - LUBRICATOR
92271915	RIVET		11 123 131	MAIN FRAME OPTION - GENERATOR OPTION - GENERATOR
92271923	RIVET		13	ENCLOSURE
92273663	WASHER		83	FUEL SYSTEM
92281427	TIE, CABLE		25 37 83 87 89 109	INSTRUMENTATION / ELECTRICAL SYSTEM OIL PIPING FUEL SYSTEM OPTION - ROAD LIGHTS - LIGHTING ASSEM OPTION - ROAD LIGHTS - LIGHTING ASSEM OPTION - AFTERCOOLER WITH FILTERS
92294461	VALVE, BALL		39 157	AIR PIPING RECOMMENDED SPARES
92304351	SCREW		33 47 83	AIR INTAKE AIR INTAKE FUEL SYSTEM
92304542	NUT		13 135	ENCLOSURE OPTION - ENCLOSURE
92304559	NUT		13 41 49	ENCLOSURE REGULATION SYSTEM EXHAUST SYSTEM
92304567	NUT		45	ENGINE ASSEMBLY
92304583	WASHER		13 25 87 89	ENCLOSURE INSTRUMENTATION / ELECTRICAL SYSTEM OPTION - ROAD LIGHTS - LIGHTING ASSEM OPTION - ROAD LIGHTS - LIGHTING ASSEM
92304591	WASHER		87 89 115	OPTION - ROAD LIGHTS - LIGHTING ASSEM OPTION - ROAD LIGHTS - LIGHTING ASSEM OPTION - BUNDED BASE
92304666	LOCKWASHER		123 131	OPTION - GENERATOR OPTION - GENERATOR
92304674	LOCKWASHER		11 45	MAIN FRAME ENGINE ASSEMBLY
92304682	LOCKWASHER		123 131	OPTION - GENERATOR OPTION - GENERATOR
92329119	NUT		41	REGULATION SYSTEM
92329309	SCREW		11	MAIN FRAME
92340371	NUT		25 119 127	INSTRUMENTATION / ELECTRICAL SYSTEM OPTION - GENERATOR OPTION - GENERATOR
92340439	WASHER		13 119 127	ENCLOSURE OPTION - GENERATOR OPTION - GENERATOR

Part Number	Denomination	WAS	Page	Subgroup
			119	OPTION - GENERATOR
			127	OPTION - GENERATOR
92340454	NUT		13	ENCLOSURE
			119	OPTION - GENERATOR
			127	OPTION - GENERATOR
92341981	WASHER		79	COOLING SYSTEM
			97	OPTION - SPARK ARRESTOR
			123	OPTION - GENERATOR
			131	OPTION - GENERATOR
92354661	PLUG		39	AIR PIPING
92354729	TEE		105	OPTION - AFTERCOOLER
			109	OPTION - AFTERCOOLER WITH FILTERS
92368075	RIVET		87	OPTION - ROAD LIGHTS - LIGHTING ASSEM
			89	OPTION - ROAD LIGHTS - LIGHTING ASSEM
92395508	ELBOW		37	OIL PIPING
92398114	NUT		13	ENCLOSURE
			33	AIR INTAKE
			35	SEPARATOR TANK
			47	AIR INTAKE
			79	COOLING SYSTEM
92398122	SCREW		13	ENCLOSURE
			25	INSTRUMENTATION / ELECTRICAL SYSTEM
			79	COOLING SYSTEM
			113	OPTION - LUBRICATOR
			115	OPTION - BUNDED BASE
			135	OPTION - ENCLOSURE
92398619	SCREW		123	OPTION - GENERATOR
			131	OPTION - GENERATOR
92421429	CAPSCREW, SOCKET HEAD		13	ENCLOSURE
92472109	SCREW		83	FUEL SYSTEM
92472638	SCREW		35	SEPARATOR TANK
			37	OIL PIPING
			109	OPTION - AFTERCOOLER WITH FILTERS
			139	OPTION - TRUCK MOUNT
92472935	SCREW		45	ENGINE ASSEMBLY
92473586	SCREW		145	OPTION - HOSE REEL
92473594	NUT		113	OPTION - LUBRICATOR
			123	OPTION - GENERATOR
			131	OPTION - GENERATOR
			139	OPTION - TRUCK MOUNT
			141	OPTION - PERMANENT MOUNT
			143	OPTION - SHIPPING SKID
92478387	ADAPTOR		105	OPTION - AFTERCOOLER
			109	OPTION - AFTERCOOLER WITH FILTERS
92490358	TUBE, NYLON		41	REGULATION SYSTEM
			105	OPTION - AFTERCOOLER
			109	OPTION - AFTERCOOLER WITH FILTERS
			113	OPTION - LUBRICATOR
92549369	ORIFICE, SILENCER		41	REGULATION SYSTEM
			157	RECOMMENDED SPARES
92659432	SCREW		119	OPTION - GENERATOR
			127	OPTION - GENERATOR
92687664	WASHER		33	AIR INTAKE
			47	AIR INTAKE

Part Number	Denomination	WAS	Page	Subgroup
			115	OPTION - BUNDED BASE
92690890	PULLEY ASSEMBLY		123	OPTION - GENERATOR
			131	OPTION - GENERATOR
92690908	PULLEY		123	OPTION - GENERATOR
			131	OPTION - GENERATOR
92714211	HITCH, BALL		7	RUNNING GEAR
92722990	SCREW		13	ENCLOSURE
			135	OPTION - ENCLOSURE
92737840	HOSE		165	AIR DELIVERY HOSE
92737857	HOSE		165	AIR DELIVERY HOSE
92737972	COUPLING, FEMALE		167	AIR HOSE FITTINGS
92737980	COUPLING, MALE		167	AIR HOSE FITTINGS
92737998	COUPLING, FEMALE		167	AIR HOSE FITTINGS
92738004	COUPLING, FEMALE		167	AIR HOSE FITTINGS
92762962	PROPSTAND		7	RUNNING GEAR
92764372	SCREW		11	MAIN FRAME
92783281	PLUG		11	MAIN FRAME
			13	ENCLOSURE
92783620	LAMP, STOP/REAR/INDICAT		87	OPTION - ROAD LIGHTS - LIGHTING ASSEM
			89	OPTION - ROAD LIGHTS - LIGHTING ASSEM
92783810	BRACKET		13	ENCLOSURE
92788876	PLUG		11	MAIN FRAME
92788926	WASHER, SEALING		41	REGULATION SYSTEM
92788959	ADAPTOR		105	OPTION - AFTERCOOLER
			109	OPTION - AFTERCOOLER WITH FILTERS
92789205	SCREW		13	ENCLOSURE
			87	OPTION - ROAD LIGHTS - LIGHTING ASSEM
			89	OPTION - ROAD LIGHTS - LIGHTING ASSEM
92790187	GAUGE, PRESSURE		25	INSTRUMENTATION / ELECTRICAL SYSTEM
			119	OPTION - GENERATOR
			127	OPTION - GENERATOR
			157	RECOMMENDED SPARES
92793124	VALVE, SOLENOID		157	RECOMMENDED SPARES
92794254	LATCH		13	ENCLOSURE
			135	OPTION - ENCLOSURE
92795095	PLATE		13	ENCLOSURE
			135	OPTION - ENCLOSURE
92795194	NIPPLE		47	AIR INTAKE
			105	OPTION - AFTERCOOLER
			109	OPTION - AFTERCOOLER WITH FILTERS
92798719	HINGE		13	ENCLOSURE
			135	OPTION - ENCLOSURE
92798727	HINGE, LOWER		13	ENCLOSURE
92799378	TUBE, NYLON		41	REGULATION SYSTEM
92799386	ELBOW		41	REGULATION SYSTEM
			119	OPTION - GENERATOR
			127	OPTION - GENERATOR
92799436	ELBOW		41	REGULATION SYSTEM
92799444	ELBOW		41	REGULATION SYSTEM
			119	OPTION - GENERATOR

Part Number	Denomination	WAS	Page	Subgroup
92799519	PROTECTOR		79	COOLING SYSTEM
92803691	PLATE, RETAINING		87 89	OPTION - ROAD LIGHTS - LIGHTING ASSEM OPTION - ROAD LIGHTS - LIGHTING ASSEM
92803790	BASE, CABLE TIE		87 89	OPTION - ROAD LIGHTS - LIGHTING ASSEM OPTION - ROAD LIGHTS - LIGHTING ASSEM
92803998	CLIP, RETAINING		79	COOLING SYSTEM
92808161	CLAMP		25	INSTRUMENTATION / ELECTRICAL SYSTEM
92814243	CHAIN ASSEMBLY		83	FUEL SYSTEM
92823921	SIGHT-GLASS		35	SEPARATOR TANK
92824010	HANDLE		13 135	ENCLOSURE OPTION - ENCLOSURE
92829316	NUT		25 97 115 119 127	INSTRUMENTATION / ELECTRICAL SYSTEM OPTION - SPARK ARRESTOR OPTION - BUNDED BASE OPTION - GENERATOR OPTION - GENERATOR
92855675	VALVE, SOLENOID		119 127 161	OPTION - GENERATOR OPTION - GENERATOR RECOMMENDED SPARES
92857556	CLAMP		83	FUEL SYSTEM
92863679	RIVET		13 105 115 135	ENCLOSURE OPTION - AFTERCOOLER OPTION - BUNDED BASE OPTION - ENCLOSURE
92866458	GRILLE		91	OPTION - ROAD LIGHTS - DRIVING LIGHTS
92867076	GRILLE		91	OPTION - ROAD LIGHTS - DRIVING LIGHTS
92867415	DECAL, CLOSE DOORS		21	DECALS AND DOCUMENTATION
92867449	DECAL, REFER TO HANDBO		21	DECALS AND DOCUMENTATION
92867530	DECAL, HOT SURFACE		21	DECALS AND DOCUMENTATION
92871367	PLUG		41	REGULATION SYSTEM
92876887	HOLDER, FUSE		123 131	OPTION - GENERATOR OPTION - GENERATOR
92887405	DECAL, 110V 1Ph 50Hz		23 127 131	DECALS AND DOCUMENTATION OPTION - GENERATOR OPTION - GENERATOR
92894609	BAR, BUMPER		13	ENCLOSURE
92896158	SCREW		113	OPTION - LUBRICATOR
92902352	ELBOW		105 109	OPTION - AFTERCOOLER OPTION - AFTERCOOLER WITH FILTERS
92909258	U-BOLT		109	OPTION - AFTERCOOLER WITH FILTERS
92911288	TUBE		113	OPTION - LUBRICATOR
92912559	DECAL, EARTH WARNING		23 119 127	DECALS AND DOCUMENTATION OPTION - GENERATOR OPTION - GENERATOR
92914506	ELBOW		41	REGULATION SYSTEM
92919380	HOUSING		113	OPTION - LUBRICATOR
92919398	HEAD		113	OPTION - LUBRICATOR
92919554	VALVE		113	OPTION - LUBRICATOR
92919810	PLUG		113	OPTION - LUBRICATOR
92930585	DECAL, PRESSURISED VES		21	DECALS AND DOCUMENTATION



Part Number	Denomination	WAS	Page	Subgroup
92930593	DECAL, ELECTRIC SHOCK		21	DECALS AND DOCUMENTATION
92930601	DECAL, CORROSIVE SUBST		21	DECALS AND DOCUMENTATION
92930650	DECAL, EMERGENCY STOP		21 149	DECALS AND DOCUMENTATION OPTION - EMERGENCY STOP BUTTON
92930668	DECAL, NO MAINT/READ MA		21	DECALS AND DOCUMENTATION
92949742	FOAM FIELD KIT (with adhesi		13	ENCLOSURE
92949759	FOAM FIELD KIT (with adhesi		13	ENCLOSURE
92949767	FOAM FIELD KIT (with adhesi		13	ENCLOSURE
92949775	FOAM FIELD KIT (with adhesi		13	ENCLOSURE
92950104	DECAL, 400V 3Ph 50Hz		23 119 123	DECALS AND DOCUMENTATION OPTION - GENERATOR OPTION - GENERATOR
92950112	DECAL, 230V 1Ph 50Hz		23 119 123	DECALS AND DOCUMENTATION OPTION - GENERATOR OPTION - GENERATOR
92961812	HARNESS ASSEMBLY		89	OPTION - ROAD LIGHTS - LIGHTING ASSEM
92962547	CLIP, NUMBER PLATE		13	ENCLOSURE
92972462	SCREW		91	OPTION - ROAD LIGHTS - DRIVING LIGHTS
92976042	DECAL, EXHAUST GAS DISC		23	DECALS AND DOCUMENTATION
93150977	SCREW		151	OPTION - ANTI-THEFT CHAIN
93152593	ADAPTOR		41 105	REGULATION SYSTEM OPTION - AFTERCOOLER
93163897	DECAL		113	OPTION - LUBRICATOR
93165959	DECAL, ROTATING FAN		21	DECALS AND DOCUMENTATION
93171239	DECAL, ENGINE OIL DRAIN		21	DECALS AND DOCUMENTATION
93171247	DECAL, COOLANT DRAIN		21	DECALS AND DOCUMENTATION
93171254	DECAL, DIESEL FUEL		21	DECALS AND DOCUMENTATION
93171262	DECAL, LIFT/TIE POINT		21	DECALS AND DOCUMENTATION
93171916	DECAL, TIRE PRESSURE		21	DECALS AND DOCUMENTATION
93465383	DECAL, SERVICE VALVE		21	DECALS AND DOCUMENTATION
93465896	AFTERCOOLER		105 109	OPTION - AFTERCOOLER OPTION - AFTERCOOLER WITH FILTERS
93477388	LAMP, FOG		87 89	OPTION - ROAD LIGHTS - LIGHTING ASSEM OPTION - ROAD LIGHTS - LIGHTING ASSEM
93478899	FUSE		123 131	OPTION - GENERATOR OPTION - GENERATOR
93502128	PLUG		35 79	SEPARATOR TANK COOLING SYSTEM
95058053	O-RING		31	AIREND ASSEMBLY
95094298	WASHER		83	FUEL SYSTEM
95220844	CLAMP		115	OPTION - BUNDED BASE
95235131	CLIP, RETAINING		47 79	AIR INTAKE COOLING SYSTEM
95264776	CLAMP		117	OPTION - CENTRAL DRAINS
95928230	PLUG		35	SEPARATOR TANK
95934907	WASHER		145	OPTION - HOSE REEL
95935011	WASHER		11 117	MAIN FRAME OPTION - CENTRAL DRAINS

Part Number	Denomination	WAS	Page	Subgroup
			79	COOLING SYSTEM
			91	OPTION - ROAD LIGHTS - DRIVING LIGHTS
			119	OPTION - GENERATOR
			127	OPTION - GENERATOR
95935037	WASHER		11	MAIN FRAME
			25	INSTRUMENTATION / ELECTRICAL SYSTEM
			45	ENGINE ASSEMBLY
95935052	WASHER		139	OPTION - TRUCK MOUNT
95944666	ELBOW		35	SEPARATOR TANK
95953493	NIPPLE		33	AIR INTAKE
96701396	WASHER		13	ENCLOSURE
			45	ENGINE ASSEMBLY
			49	EXHAUST SYSTEM
			83	FUEL SYSTEM
			119	OPTION - GENERATOR
			127	OPTION - GENERATOR
96701479	SCREW		25	INSTRUMENTATION / ELECTRICAL SYSTEM
96701503	BOLT		139	OPTION - TRUCK MOUNT
96701743	NUT		123	OPTION - GENERATOR
			131	OPTION - GENERATOR
96701917	SCREW		139	OPTION - TRUCK MOUNT
			141	OPTION - PERMANENT MOUNT
			143	OPTION - SHIPPING SKID
96702170	SCREW		31	AIREND ASSEMBLY
96702287	SCREW		25	INSTRUMENTATION / ELECTRICAL SYSTEM
			45	ENGINE ASSEMBLY
96702311	SCREW		123	OPTION - GENERATOR
			131	OPTION - GENERATOR
96702741	NUT, SELF LOCKING		11	MAIN FRAME
96702816	SCREW		41	REGULATION SYSTEM
96702824	SCREW		123	OPTION - GENERATOR
			131	OPTION - GENERATOR
96703806	NUT		123	OPTION - GENERATOR
			131	OPTION - GENERATOR
96704176	NUT		13	ENCLOSURE
			25	INSTRUMENTATION / ELECTRICAL SYSTEM
			83	FUEL SYSTEM
			135	OPTION - ENCLOSURE
96704358	BOLT		123	OPTION - GENERATOR
			131	OPTION - GENERATOR
96704408	SCREW		13	ENCLOSURE
			29	AIREND ASSEMBLY
			33	AIR INTAKE
			37	OIL PIPING
			39	AIR PIPING
			47	AIR INTAKE
			49	EXHAUST SYSTEM
			79	COOLING SYSTEM
			103	OPTION - TOOLBOX
			105	OPTION - AFTERCOOLER
			109	OPTION - AFTERCOOLER WITH FILTERS
96704580	NUT		25	INSTRUMENTATION / ELECTRICAL SYSTEM
			41	REGULATION SYSTEM
			119	OPTION - GENERATOR

Part Number	Denomination	WAS	Page	Subgroup
96704606	NUT		41	REGULATION SYSTEM
96705637	BOLT		131	OPTION - GENERATOR
96705736	SCREW		13	ENCLOSURE
96711767	WASHER		123	OPTION - GENERATOR
			131	OPTION - GENERATOR
96726740	SCREW		139	OPTION - TRUCK MOUNT
			141	OPTION - PERMANENT MOUNT
			143	OPTION - SHIPPING SKID
96728480	SCREW		13	ENCLOSURE
			25	INSTRUMENTATION / ELECTRICAL SYSTEM
			29	AIREND ASSEMBLY
			41	REGULATION SYSTEM
			147	OPTION - BATTERY DISCONNECT
96735543	NUT		119	OPTION - GENERATOR
			127	OPTION - GENERATOR
96737531	SCREW		87	OPTION - ROAD LIGHTS - LIGHTING ASSEM
			89	OPTION - ROAD LIGHTS - LIGHTING ASSEM
96737556	SCREW		103	OPTION - TOOLBOX
			141	OPTION - PERMANENT MOUNT
96738695	SCREW		115	OPTION - BUNDED BASE
96740014	CAPSCREW		123	OPTION - GENERATOR
			131	OPTION - GENERATOR
96745179	BOLT		123	OPTION - GENERATOR
96745229	WASHER		119	OPTION - GENERATOR
			127	OPTION - GENERATOR
97319941	CHECK, SAFETY		167	AIR HOSE FITTINGS



**Portable Power**



**Portable Power**



**Portable Power**