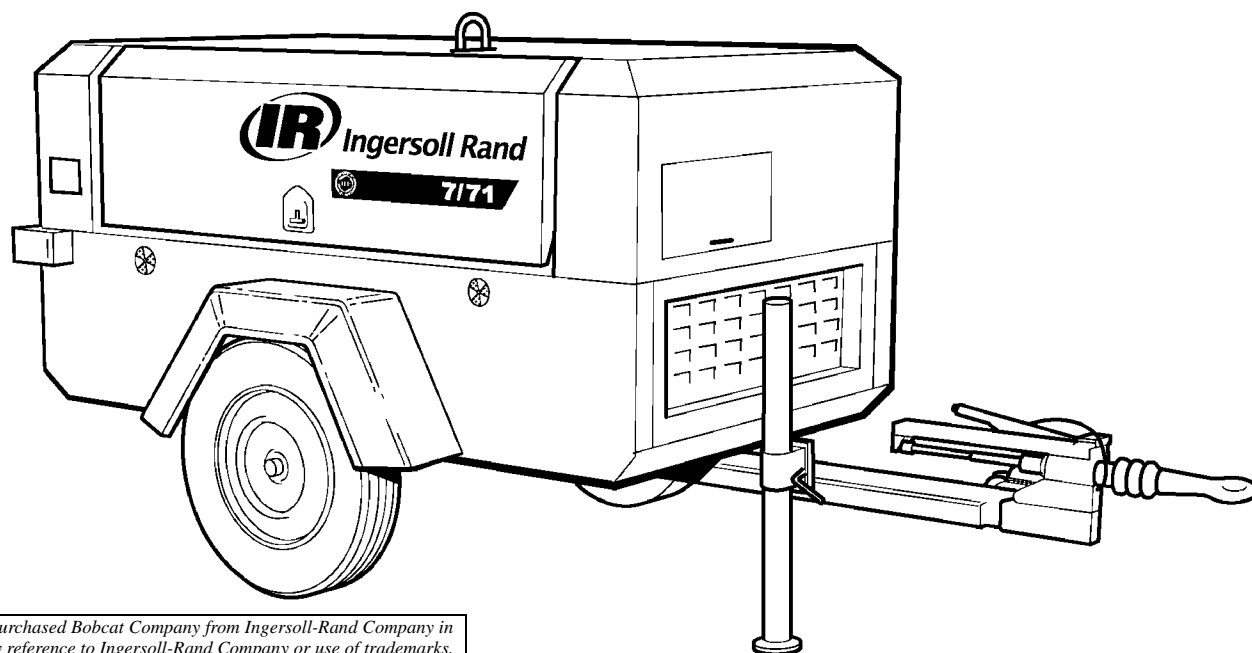


DOOSANDoosan Infracore
Portable Power**IR** **Ingersoll Rand****7/71, 12/56**

Doosan purchased Bobcat Company from Ingersoll-Rand Company in 2007. Any reference to Ingersoll-Rand Company or use of trademarks, service marks, logos, or other proprietary identifying marks belonging to Ingersoll-Rand Company in this manual is historical or nominative in nature, and is not meant to suggest a current affiliation between Ingersoll-Rand Company and Doosan Company or the products of either.

cs	KATALOG DÍLŮ	lv	DETAĻU KATALOGS
da	RESERVEDELSKATALOG	mt	KATALGU TAL-PARTIJIET
de	ERSATZTEILLISTE	nl	ONDERDELENKATALOGUS
el	ΚΑΤΑΛΟΓΟΣ ΕΞΑΡΤΗΜΑΤΩΝ	no	RESERVEDELSKATALOG
en	PARTS CATALOGUE	pl	KATALOG CZĘŚCI
es	LISTA DE REPUESTOS	pt	LISTA DE PEÇAS
et	OSADE SPETSIFIKATSIOON	sk	KATALÓG DIELOV
fi	VARAOSALUETTELO	sl	KATALOG DELOV
fr	CATALOGUE DE PIÈCES DÉTACHÉES	sv	RESERVEDELSKATALOG
hu	ALKATRÉSZ-KATALÓGUS	ru	КАТАЛОГ ДЕТАЛЕЙ
it	LISTA RICAMBI	zh	零件目录
lt	DALIŲ KATALOGAS		

C.C.N : 23361439
 REV : A
 DATE : SEPTEMBER 2008
 Revised (09-12)

SERIAL No: 522700 ->

CONTENTS

Page	Description	'T' N°	Page	Description	'T' N°	Page	Description	'T' N°
1	Running gear (Fixed Height, Braked) Knott	T2302	17	Airend assembly	T2219	30	Instrumentation / Electrical system	T2313
2	Running gear (Variable Height, Braked) Knott	T2303	18	Airend assembly	T2207	31	Instrumentation / Electrical system	T2209
3	Engine assembly	T2304	19	Enclosure	T2189	32	Decals and documentation	T2203
4	Engine Parts: Oil sump Valve cover Oil Filler Intake manifold Exhaust manifold Lub. oil system Cooling water system Fuel filter Starter motor Alternator ECU		20	Enclosure	T2188	34	Options – Generator	T2311
			21	Air intake	T2217	35	Options – Lubricator	T2310
			22	Air intake	T2218	36	Options – Aftercooler	T2312
			23	Engine exhaust system	T2305	37	Options – Over speed valve	T2314
			24	Oil / Air piping	T2208	38	Options – Tool box	T2315
			25	Oil / Air piping	T2197	39	Recommended parts	
			26	Cooling system	T2307	42	Glossary of non-illustrated items	
			27	Fuel system	T2308	45	Fasteners index / Tube fittings index	
			28	Regulation system	T2200	49	CCN index	
			29	Instrumentation / Electrical system	T2309			

ABBREVIATIONS & SYMBOLS

->####	Up to Serial No.	cs	Czech	lv	Latvian, Lettish
####->	From Serial No.	da	Danish	mt	Maltese
####	Contact Ingersoll-Rand for Serial No.	de	German	nl	Dutch
*	Not illustrated	el	Greek	no	Norwegian
†	Option	en	English	pl	Polish
AR	As required	es	Spanish	pt	Portuguese
		et	Estonian	ru	Russian
		fi	Finnish	sk	Slovak
		fr	French	sl	Slovenian
		hu	Hungarian	sv	Swedish
		it	Italian	zh	Chinese
		lt	Lithuanian		

General

This manual, which contains an illustrated parts breakdown, has been prepared as an aid in identifying and ordering parts for the machine. All of the parts, listed in the parts breakdown, are manufactured with the same precision as the original equipment.

Ingersoll-Rand Company service facilities and parts are available worldwide. There are Ingersoll-Rand Company Branch Offices and authorised distributors located in the principle cities of the United States. In Canada, our customers are serviced by the Canadian Ingersoll-Rand Company, Limited. There are also Ingersoll-Rand Company subsidiaries and authorised distributors located in the principle cities throughout the world.

Description

The illustrated parts breakdown identifies the various assemblies, sub-assemblies and detailed parts which make up this machine.

A series of illustrations show each part clearly and in its correct location relative to the other parts in the illustration. Each part in an illustration is referenced with a number. The number, description and quantity needed per assembly are listed in numerical order on the following pages.

How to use this parts manual

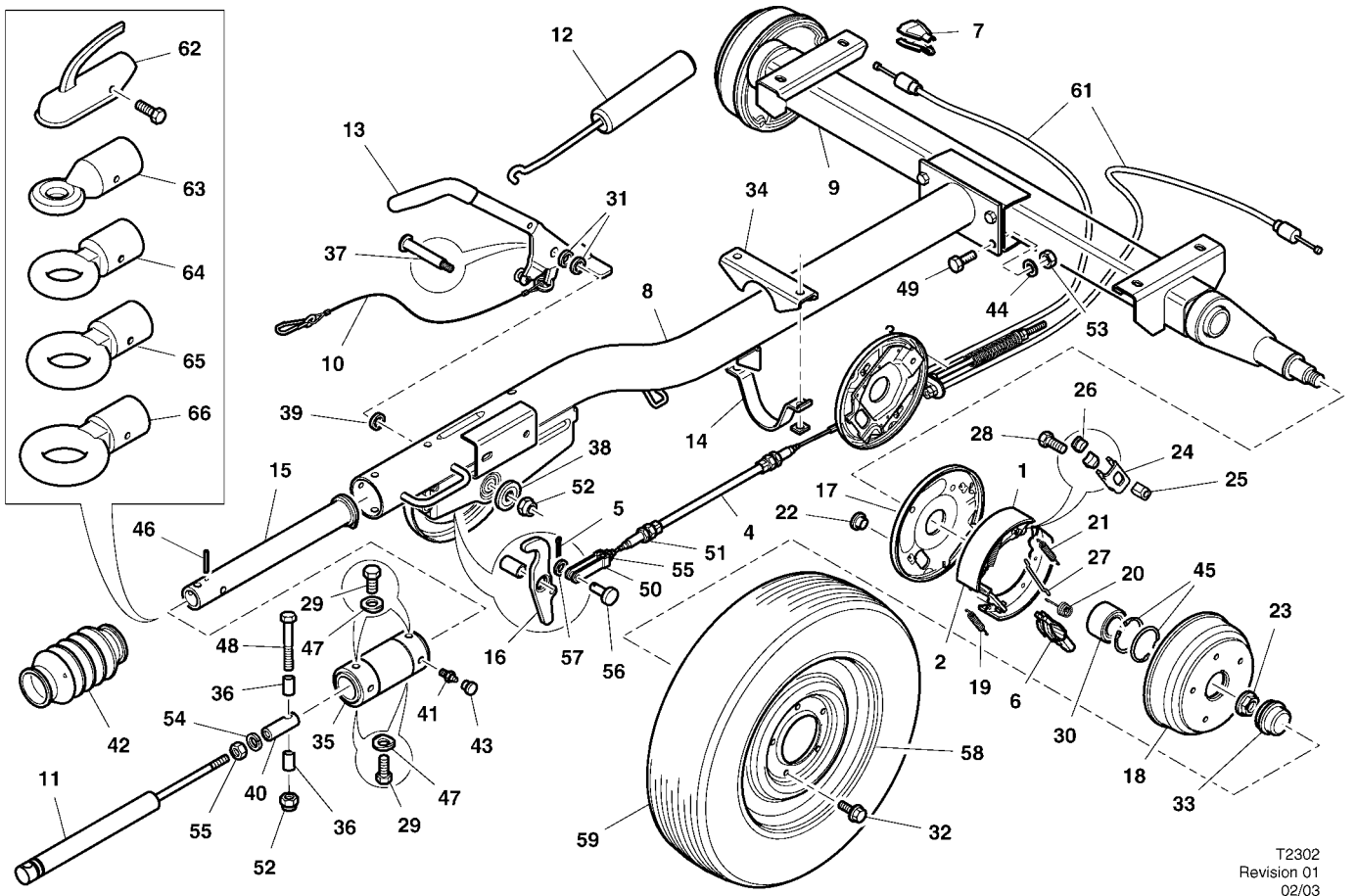
1. Locate the desired illustration.
2. Locate the part on the illustration by visual identification and note the reference number.
3. Find the reference number on the tabulated page, along with the Part Number and Description.

How to order parts

In order that all avoidable errors be eliminated when ordering parts, please specify the following:

1. The model number of the unit as shown on the Compressor Data Plate.
2. The serial number of the unit as shown on the Compressor Data Plate.
3. The part number of this manual.
4. The part number, description and quantity needed exactly as listed.
5. The motor data code shown on the motor data plate.

1 RUNNING GEAR (Fixed Height Braked) Knott

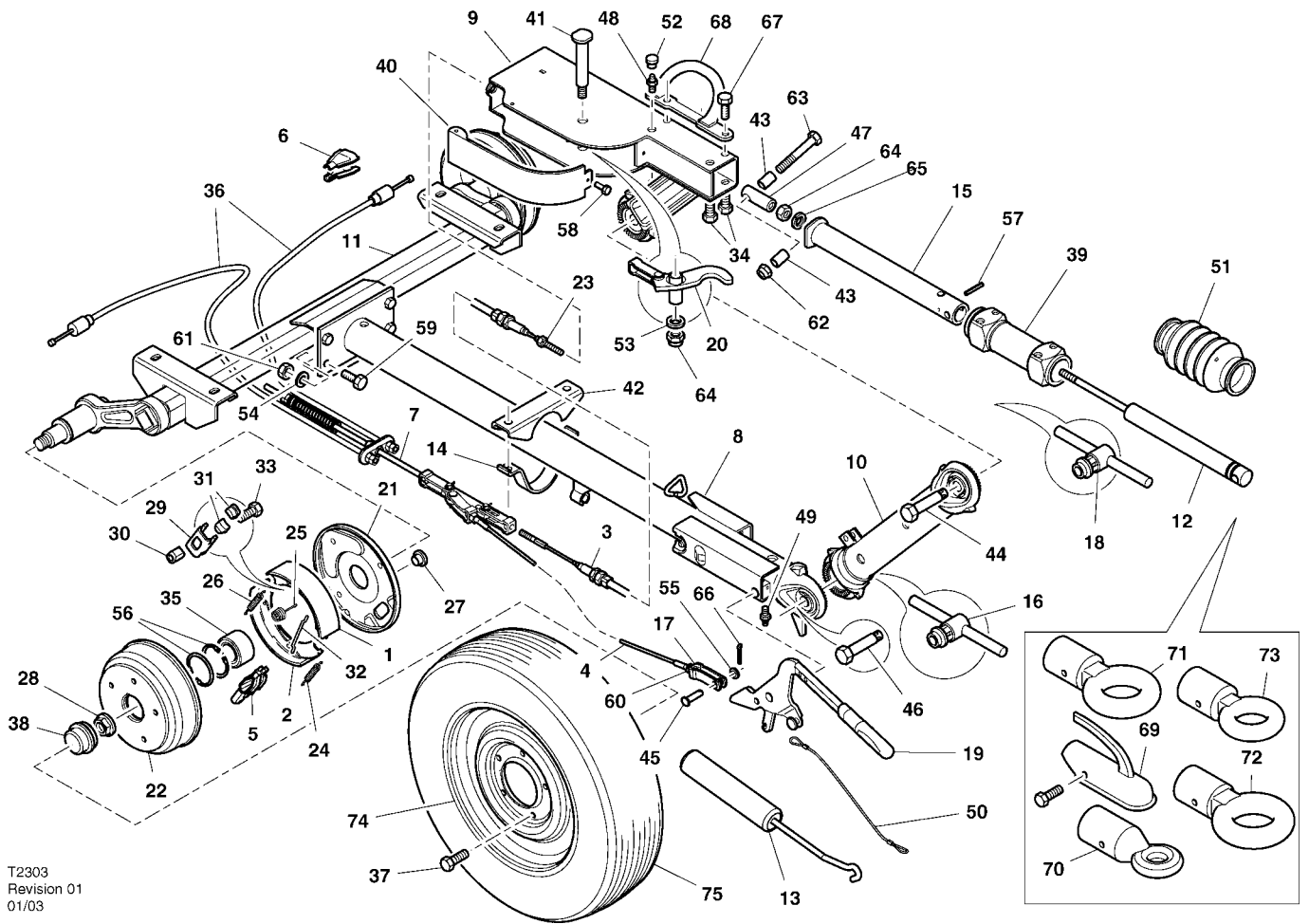


T2302
Revision 01
02/03

Item	ccn	Qty.	Description	Item	ccn	Qty.	Description	Item	ccn	Qty.	Description
1	22241012	2	Shoe (rear)	24	22241228	2	Housing	50	22241483	1	Clevis
2	22241111	2	Shoe (front)	25	22241301	2	Taper	51	22241558	1	Nut
3	22241137	1	Compensator	26	22241319	4	Key	52	22051494	2	Nut
	22645808	1	Compensator ####	27	22241327	2	Rod	53	22051494	4	Nut
4	18034124	1	Cable	28	22241335	2	Screw	54	22051585	1	Washer
5	22241566	1	Pin, split	29	22241368	4	Screw	55	22051577	2	Locknut
6	22051205	2	Lever	30	22051122	2	Bearing	56	22241160	1	Pin
7	22241384	2	Cover	31	22241376	2	Washer, Nylon	57	22241491	1	Washer
8	22241459	1	Drawbar	32	22241392	10	Bolt	58	22125587	2	Wheel
	22645824	1	Drawbar ####	33	22052161	2	Cap	59	22125595	2	Tyre
9	22241467	1	Axle tube assembly	34	22241442	1	Clamp	60	22125579	2	Wheel & tyre assembly
10	22051841	1	Cable	35	22241129	1	Tube	61	22241145	2	Cable
11	22241475	1	Damper	36	22051551	2	Bush	62	22212013	1	Ball hitch
12	22182802	1	Spring	37	22051866	1	Bolt	63	54774500	1	Eye Ø 40mm
13	22051833	1	Lever, handbrake	38	22241194	1	Washer	64	54774518	1	Eye Ø 50mm
14	22051742	1	Clamp	39	22051882	1	Washer	65	54774534	1	Eye Ø 68mm
15	22051411	1	Slider	40	22051544	1	Joint	66	54774542	1	Eye Ø 76mm
16	22051858	1	Lever	41	22241400	2	Nipple				
17	22241020	1	Backplate	42	22051510	1	Cover				
18	22241103	2	Drum	43	22241426	2	Cap				
19	22241582	2	Spring (lower)	44	22051874	4	Washer				
20	22241186	2	Spring	45	22241509	4	Circlip	*67	22126437	1	Jockey Wheel Assembly
21	22241202	2	Spring (upper)	46	22241517	1	Pin				
22	22241210	4	Cover	47	22241525	4	Washer	*68	22125181	1	Running gear assembly (complete)
23	22051114	2	Nut	48	22051569	1	Bolt				
				49	22104806	4	Screw				

* Not illustrated

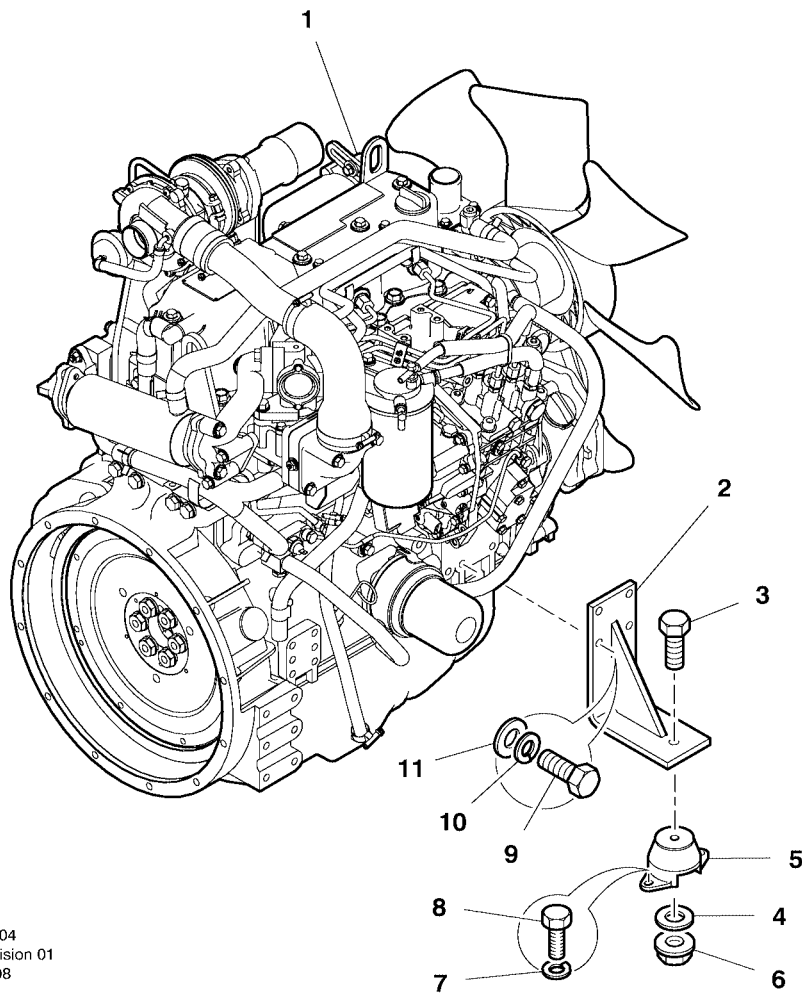
RUNNING GEAR (Variable Height Braked) Knott



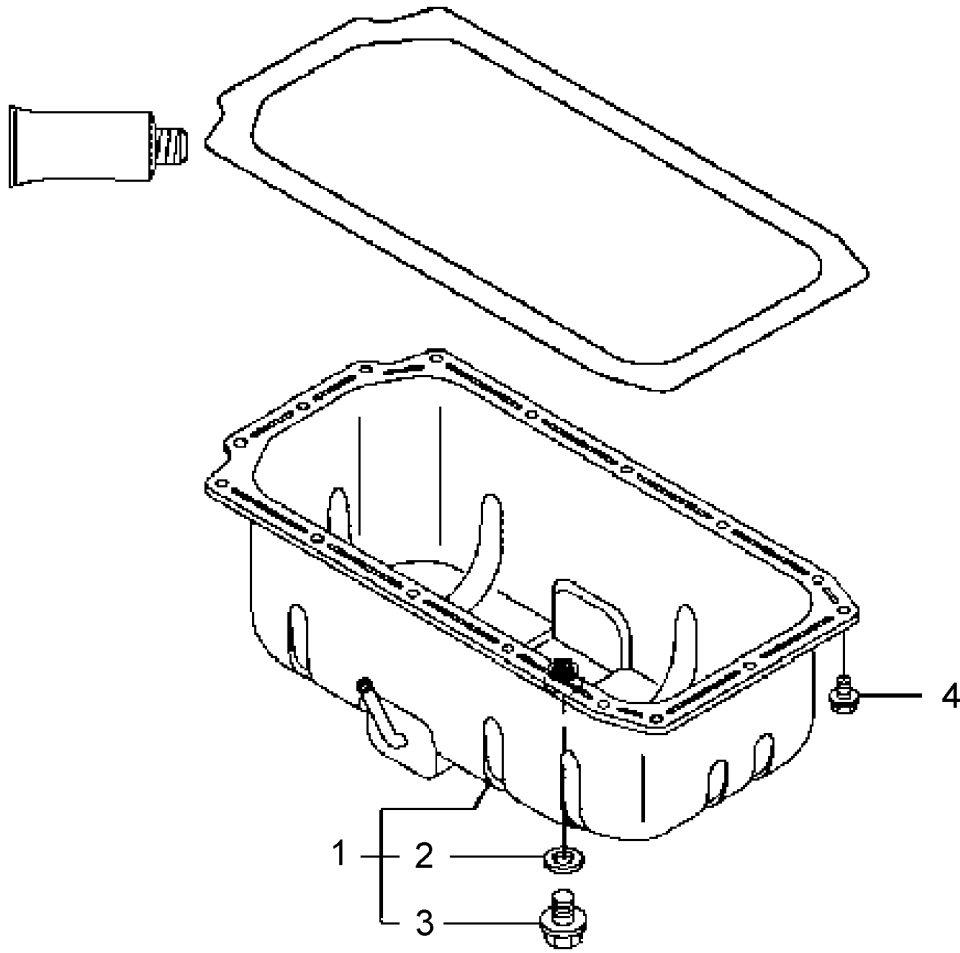
T2303
Revision 01
01/03

Item	ccn	Qty.	Description	Item	ccn	Qty.	Description	Item	ccn	Qty.	Description
1	22241012	2	Shoe (front)	30	22241301	2	Taper	58	22241533	3	Screw
2	22241111	2	Shoe (rear)	31	22241319	4	Key	59	22104806	4	Screw
3	18034124	1	Cable	32	22241327	2	Rod	60	22051577	2	Locknut
4	22241152	1	Cable	33	22241335	2	Screw	61	22051494	4	Nut
5	22051205	2	Lever	34	22241343	4	Screw	62	22051494	2	Nut
6	22241384	2	Cover	35	22051122	2	Bearing	63	22241541	1	Bolt
7	22126395	1	Compensator	36	22241145	2	Cable	64	22051585	1	Washer
8	22241061	1	Drawbar	37	22241392	10	Bolt	65	22051577	1	Locknut
9	22241079	1	Coupling assembly	38	22052161	2	Cap	66	22241566	1	Pin
10	22241087	1	Link, adjustable	39	22241038	1	Tube	67	22241350	2	Screw
11	22241467	1	Axle tube assembly	40	22241046	1	Cover	68	22241434	1	Handle
12	22241475	1	Damper	41	22241053	1	Bolt	69	22212013	1	Ball hitch
13	22182802	1	Spring	42	22241442	1	Clamp	70	54774500	1	Eye Ø 40mm
14	22051742	1	Clamp	43	22051551	2	Bush	71	54774534	1	Eye Ø 68mm
15	22051411	1	Slider	44	22051700	1	Bolt	72	54774542	1	Eye Ø 76mm
16	22051718	1	Handle, lower	45	22241160	1	Pin	73	54774518	1	Eye Ø 50mm
17	22241483	1	Clevis	46	22241178	1	Bolt	74	22125587	2	Wheel
18	22051692	1	Handle, upper	47	22051544	1	Joint	75	22125595	2	Tyre
19	22066823	1	Lever, handbrake	48	22241095	2	Nipple	*76	22125579	1	Wheel & tyre assembly
20	22066914	1	Lever	49	22241400	1	Nipple	*77	22126437	1	Jockey Wheel Assembly
21	22241020	2	Backplate	50	22241418	1	Cable	*78	22125173	1	Running gear assembly (complete)
22	22241103	2	Drum	51	22051510	1	Cover				* Not illustrated
23	22051577	1	Locknut	52	22241426	2	Cap				
24	22241582	2	Spring (lower)	53	22051874	1	Washer				
25	22241186	2	Spring	54	22051874	4	Washer				
26	22241202	2	Spring (upper)	55	22241491	2	Washer				
27	22241210	4	Cover	56	22241509	4	Circlip				
28	22051114	2	Nut	57	22241517	1	Pin				
29	22241228	2	Housing								

3 ENGINE ASSEMBLY

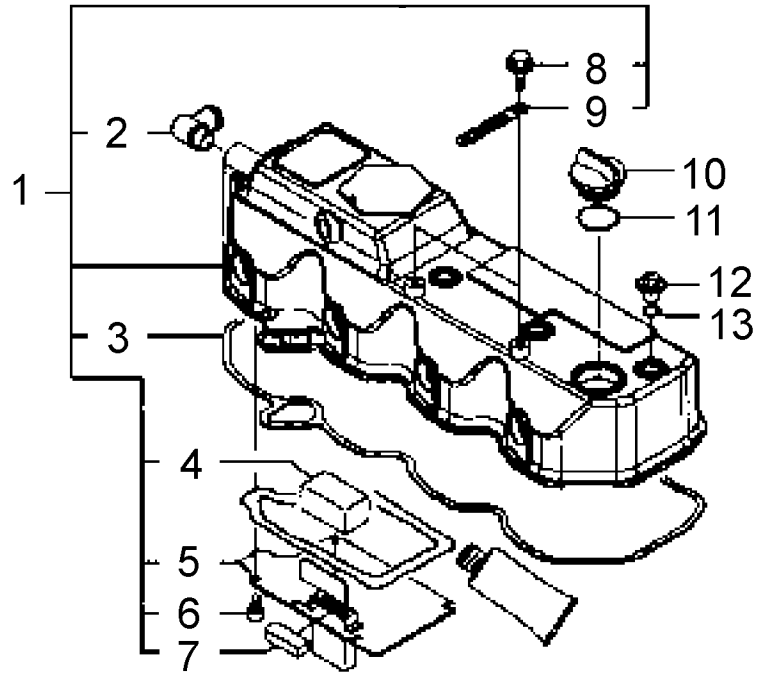


Item	ccn	Qty.	Description	Item	ccn	Qty.	Description
1	23189087	1	Engine	7	95934998	4	Washer
2	22197701	2	Bracket	8	90141078	4	Screw
3	92472935	2	Screw	9	92280981	8	Screw
4	92058429	2	Plate	10	92304674	8	Washer
5	36875565	2	Mount	11	95935037	8	Washer
6	92304567	2	Nut				

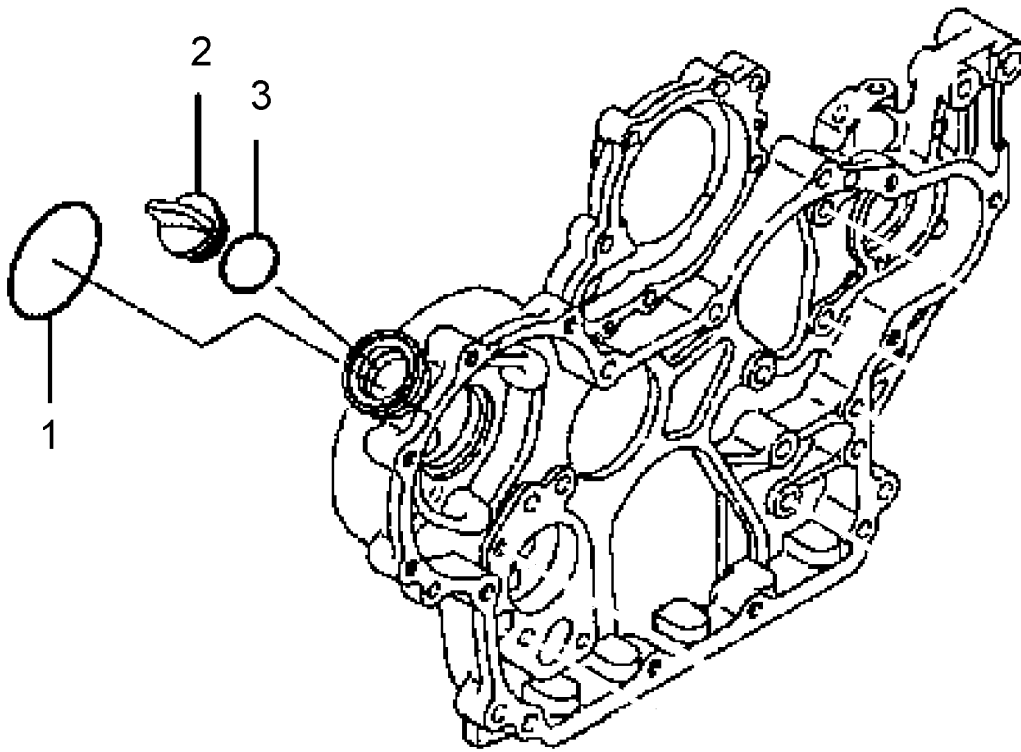


Item	ccn	Qty.	Description	Item	ccn	Qty.	Description
1	23285679	1	Oil pan assembly	3	23285737	1	Washer
2	23285711	1	Plug	4	15899040	16	Bolt

5 VALVE COVER

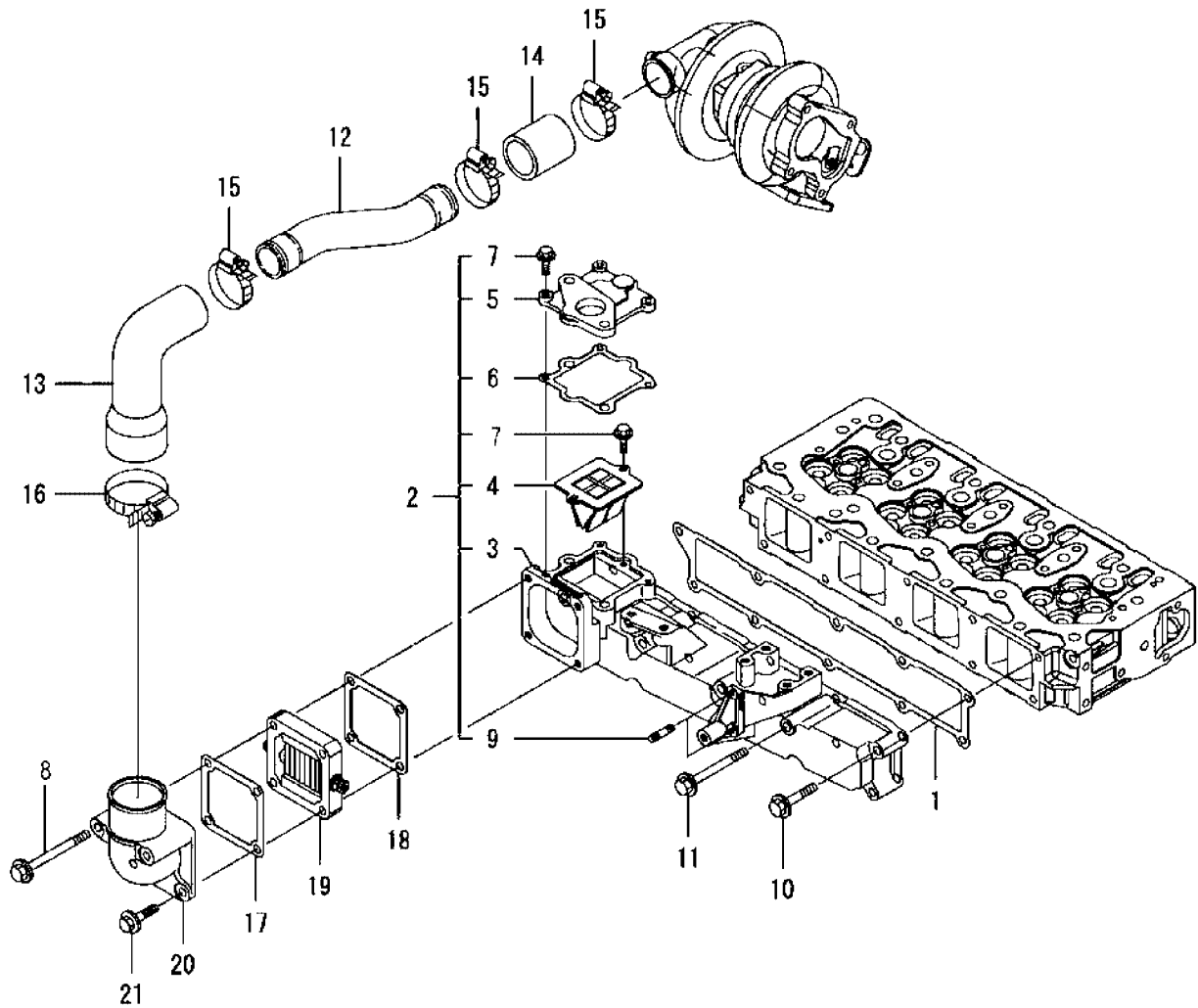


Item	ccn	Qty.	Description	Item	ccn	Qty.	Description
1	23285752	1	Cover assembly	8	15896756	2	Bolt
2	16538936	1	Elbow, breather	9	23285794	1	Clip
3	23285786	1	Gasket	10	15898182	1	Cap, filler
4	15896095	1	Baffle	11	15898984	1	'O' Ring
5	23285760	1	Plate	12	15898216	4	Knob
6	15898919	6	Screw	13	15898968	4	'O' Ring
7	23285778	1	Baffle				

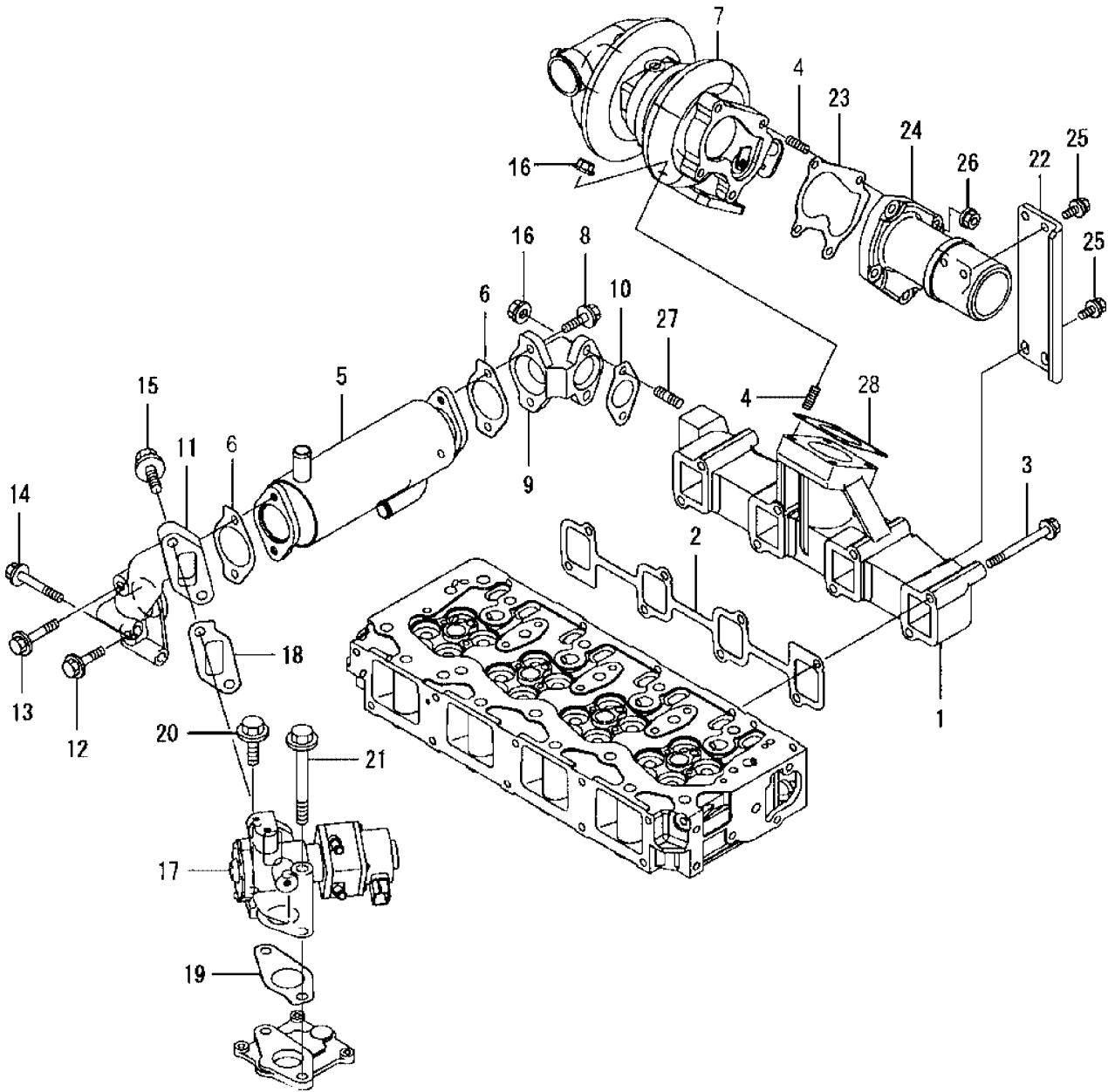


Item	ccn	Qty.	Description	Item	ccn	Qty.	Description
1	15895741	1	Packing				
2	15898182	1	Cap, filler				
3	15898984	1	'O' Ring				

7 INTAKE MANIFOLD

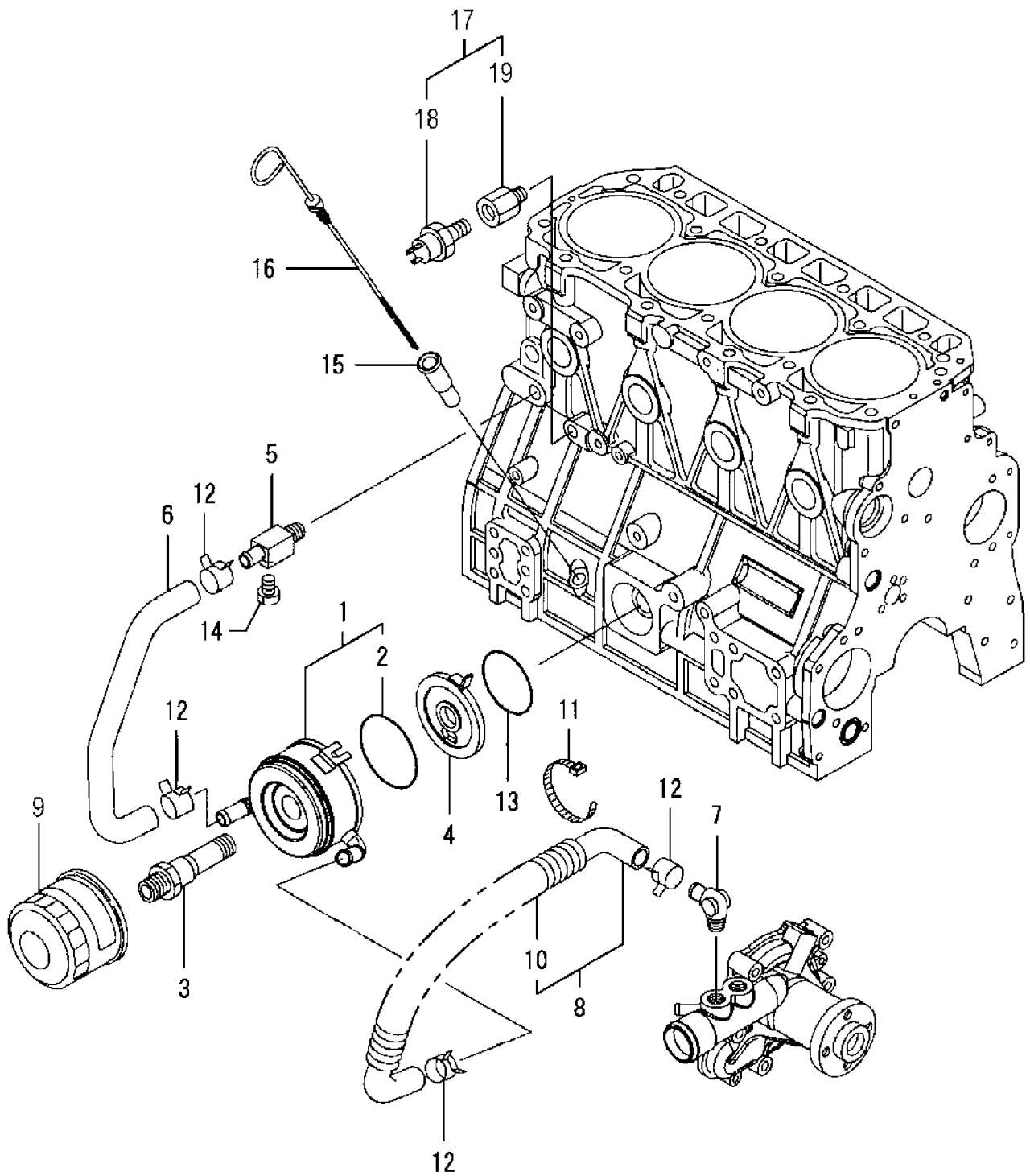


Item	ccn	Qty.	Description	Item	ccn	Qty.	Description
1	15896178	1	Gasket	12	23285976	1	Tube
2	23285901	1	Manifold assembly, intake	13	23285984	1	Elbow
3	23285927	1	Manifold, intake	14	16539108	1	Tube
4	23285935	1	Valve	15	16539611	1	Clamp
5	23285943	1	Spacer	16	23285992	1	Clamp
6	23285950	1	Gasket	17	23286008	1	Gasket
7	15899032	5	Bolt	18	15896202	1	Gasket
8	23286040	2	Bolt	19	23286016	1	Heater, air
9	23285968	2	Stud	20	23286032	1	Elbow
10	15899123	6	Bolt	21	15899115	2	Bolt
11	15899156	4	Bolt				

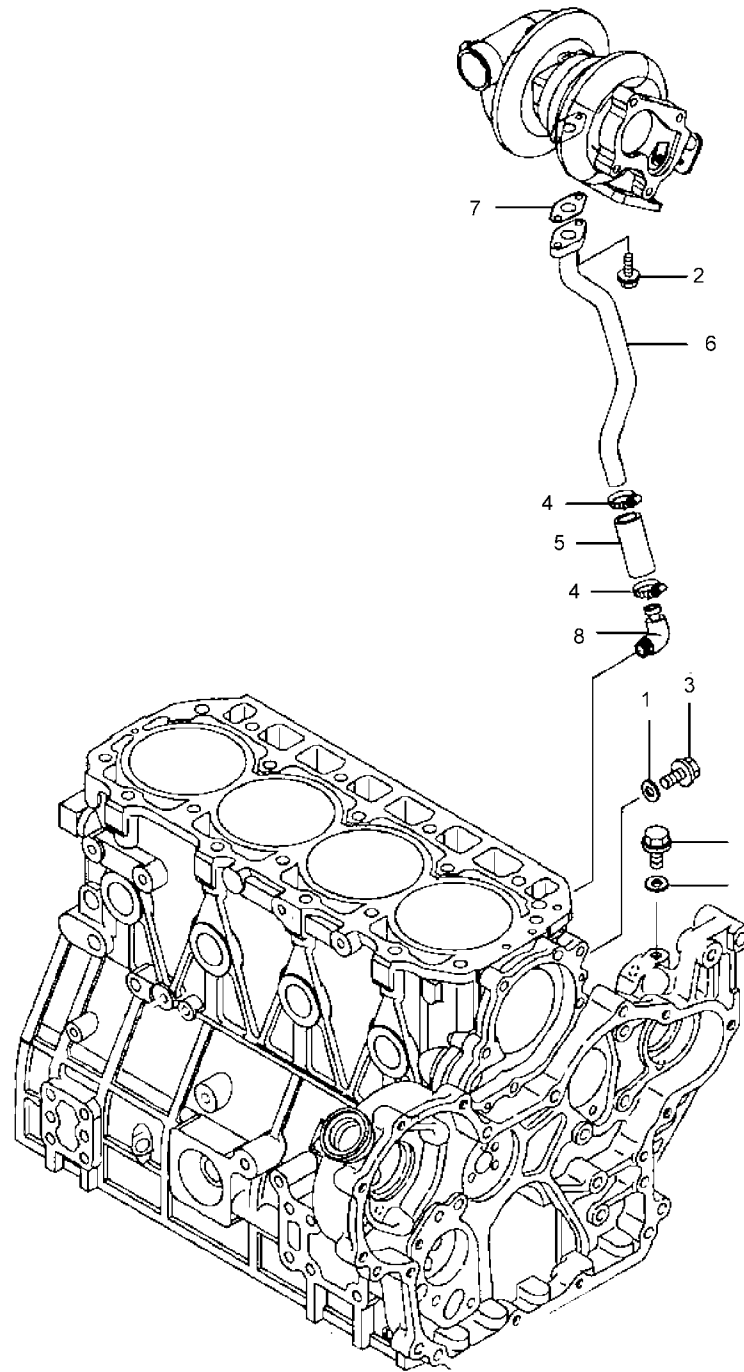


Item	ccn	Qty.	Description	Item	ccn	Qty.	Description
1	23286057	1	Exhaust manifold assembly	15	23286156	2	Bolt
2	15896236	1	Gasket, exhaust manifold	16	15899198	6	Nut
3	15899438	8	Bolt	17	23286164	1	Valve, EGR
4	15897069	8	Stud	18	23286172	1	Gasket, EGR valve inlet
5	23286073	1	Cooler, EGR	19	23286180	1	Gasket, EGR valve outlet
6	23286081	2	Gasket, EGR cooler	20	23286198	1	Bolt
7	16539496	1	Turbocharger	21	23286206	1	Bolt
8	23286107	2	Bolt	22	16539306	1	Bracket, turbocharger outlet
9	23286123	1	Elbow EGR	23	16539033	1	Gasket, turbocharger outlet
10	23286131	1	Gasket, EGR elbow	24	16539322	1	Pipe, turbocharger outlet
11	23286149	1	Elbow EGR cooler	25	23286214	4	Bolt
12	15899107	1	Bolt	26	15899198	4	Nut
13	15899123	1	Bolt	27	16539157	2	Stud
14	15899149	2	Bolt	28	16539173	1	Gasket, Exhaust manifold turbo

9 LUB. OIL SYSTEM

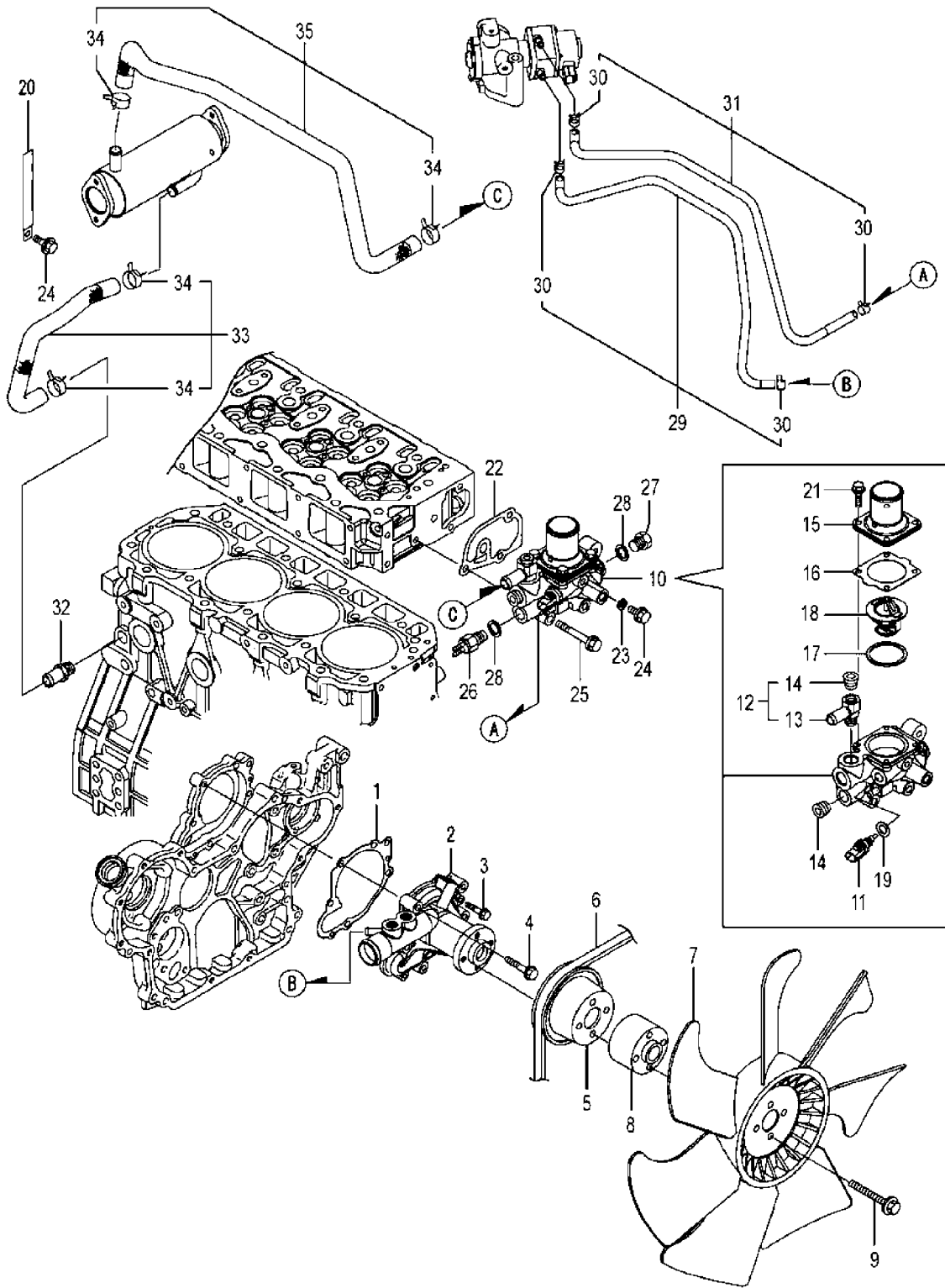


Item	ccn	Qty.	Description	Item	ccn	Qty.	Description
1	16539363	1	Cooler, Oil	11	15894777	1	Clamp
2	23286222	1	O-Ring	12	16539603	4	Clamp, hose
3	16539082	1	Nipple	13	16539637	1	O-Ring
4	16539371	1	Bracket, oil cooler	14	15898836	1	Plug, drain
5	16539132	1	Adapter	15	15898117	1	Guide, dipstick
6	16539405	1	Pipe, cooling water	16	23286230	1	Dipstick
7	16539165	1	Elbow	17	16538985	1	Switch assembly
8	16539066	1	Pipe assembly	18	16538977	1	Switch, oil pressure
9	22226351	1	Element assembly, oil filter	19	16538951	1	Adapter
10	16539074	1	Protector				

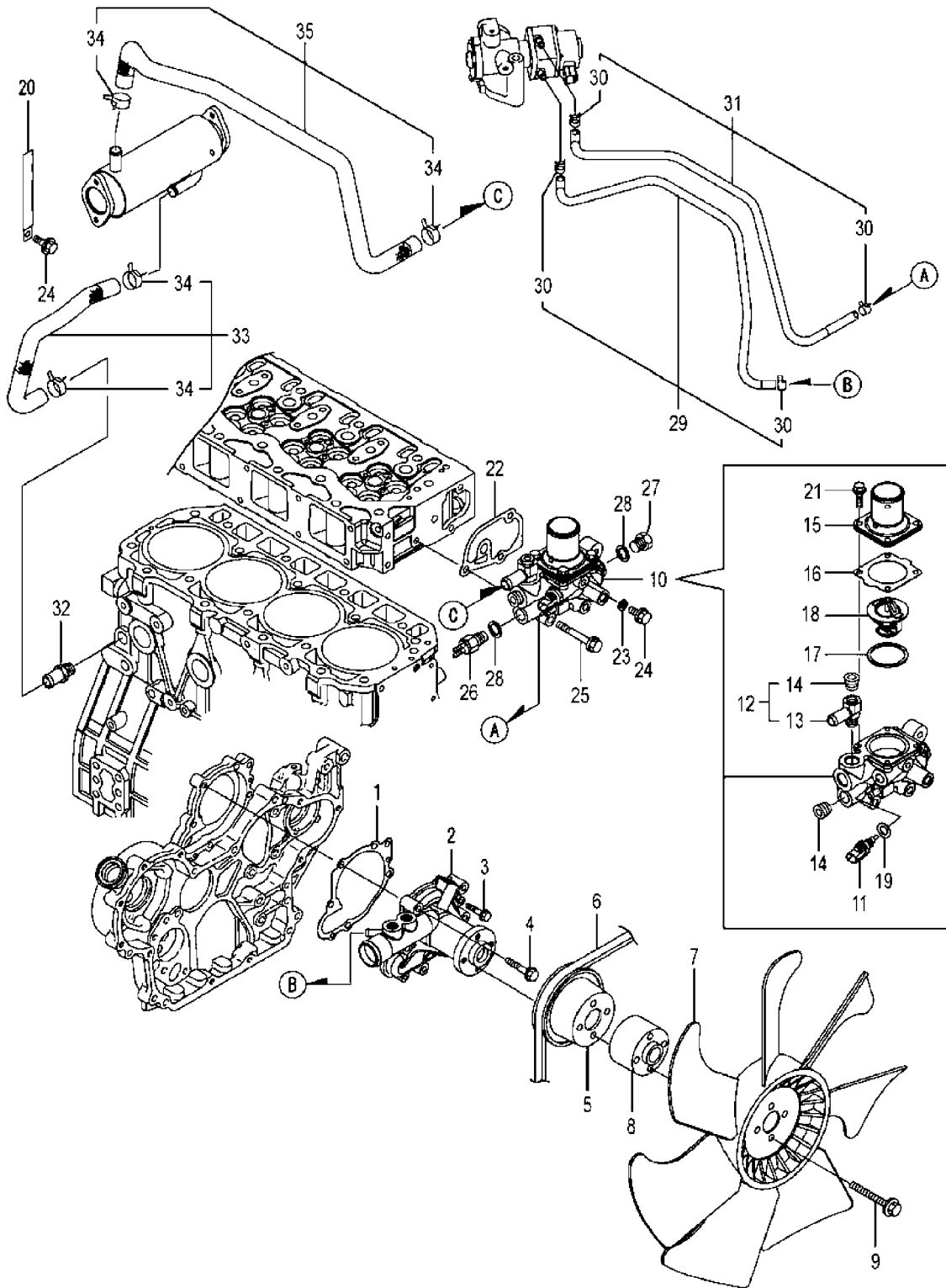


Item	ccn	Qty.	Description	Item	ccn	Qty.	Description
1	15898851	8	Washer	5	16539041	1	Hose
2	15899024	2	Bolt	6	16539553	1	Pipe
3	15899040	4	Bolt	7	16539397	1	Gasket
4	16539603	2	Clamp	8	16539116	1	Elbow

11 COOLING WATER SYSTEM

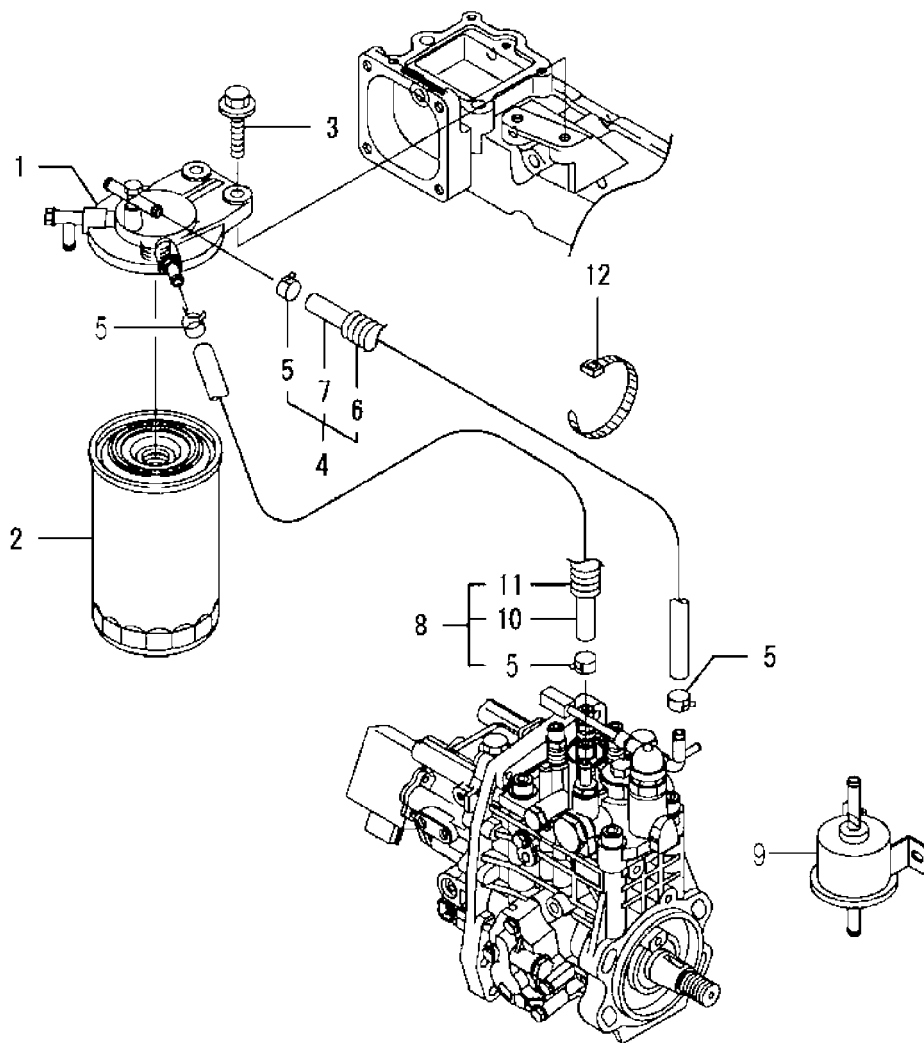


Item	ccn	Qty.	Description	Item	ccn	Qty.	Description
1	15896590	1	Gasket	10	23286289	1	Case Assembly, thermostat
2	23286271	1	Water Pump Assembly	11	23286297	1	Thermocouple
3	15896608	2	Bolt	12	23286305	1	Tee with plug
4	15899149	5	Bolt	13	23286313	1	Tee
5	15896616	1	V-Pulley	14	15896749	2	Plug
6	16539645	1	V-Belt	15	15896673	1	Cover, Thermostat
7	16539090	1	Fan, cooling	16	15896681	1	Gasket, cover
8	15896640	1	Spacer	17	15896699	1	Gasket, thermostat
9	16539686	4	Bolt	18	15896715	1	Thermostat

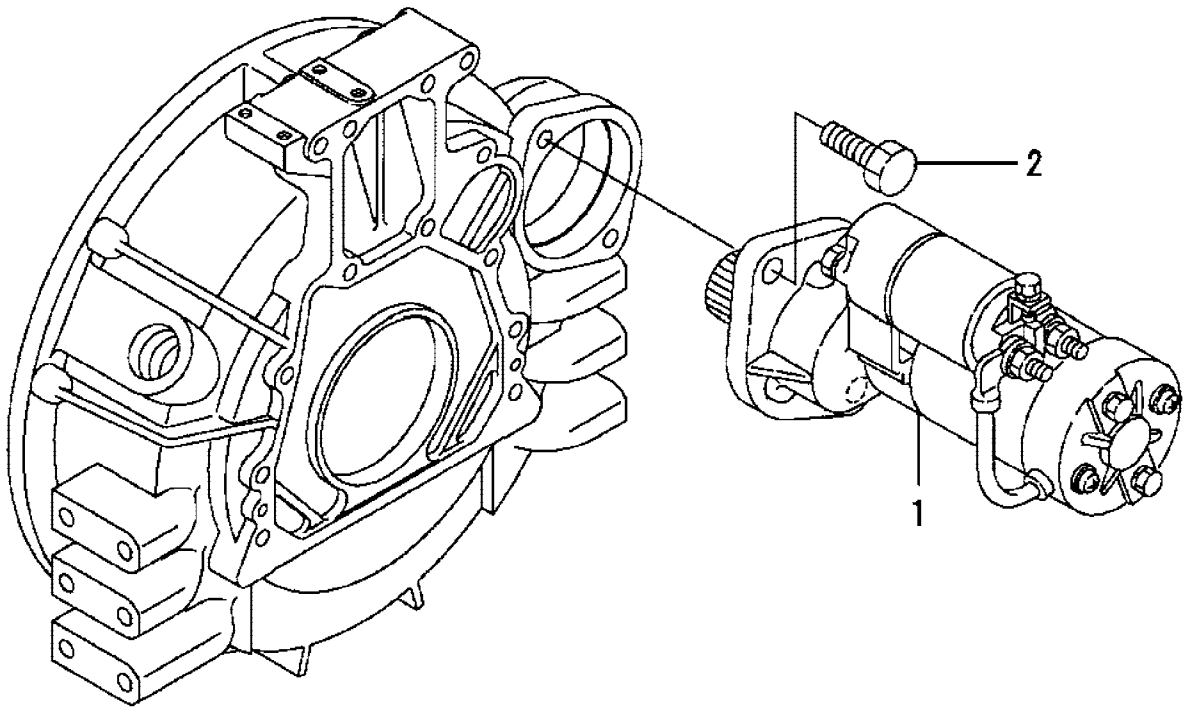


Item	ccn	Qty.	Description	Item	ccn	Qty.	Description
19	23286321	1	Seal	28	15898240	2	Gasket
20	23286396	1	Crip	29	23286339	1	Pipe assembly
21	15899032	4	Bolt	30	23286347	4	Clamp
22	15896764	1	Gasket	31	23286354	1	Pipe assembly
23	15898927	1	Gasket	32	23286362	1	Fitting, straight hose
24	15899040	2	Bolt	33	23286370	1	Pipe assembly
25	15895105	3	Bolt	34	16539512	2	Clamp
26	15898059	1	Switch, temperature	35	23286388	1	Pipe assembly
27	15898109	1	Plug				

13 FUEL FILTER

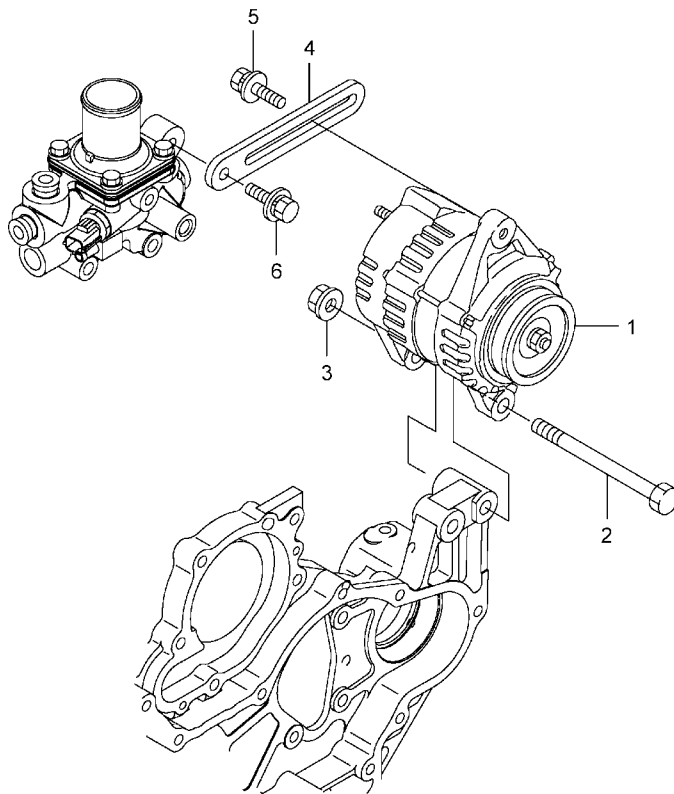


Item	ccn	Qty.	Description	Item	ccn	Qty.	Description
1	15898349	1	Head, fuel filter	6	15894686	1	Protector, fuel pipe
2	16539462	1	Element, fuel filter	7	15894694	1	Pipe, fuel
3	15899099	2	Bolt	8	23286511	1	Pipe assembly, fuel
4	15894678	1	Pipe assembly, fuel	9	22226385	1	Pump Assembly
5	15898273	4	Clamp				

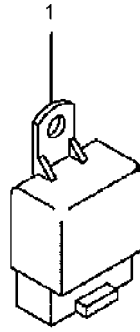


Item	ccn	Qty.	Description	Item	ccn	Qty.	Description
1	22255566	1	Starter assembly				
2	15894793	2	Bolt				

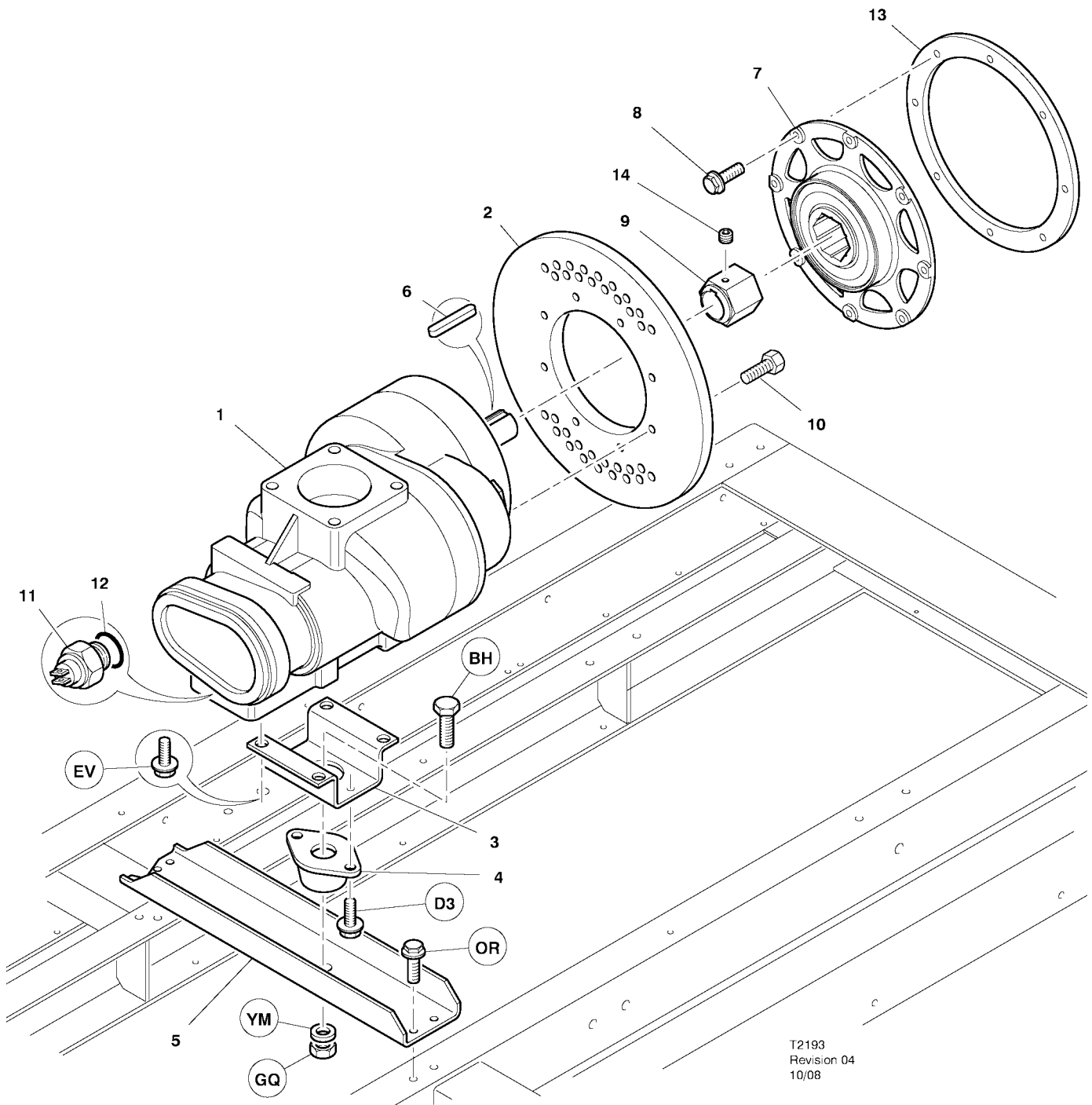
15 ALTERNATOR



Item	ccn	Qty.	Description	Item	ccn	Qty.	Description
1	22255574	1	Alternator	5	15894835	1	Adjuster, belt
2	15894827	1	Spacer	6	15898018	1	Bolt
3	15894819	1	Bolt	7	15894843	1	Bolt
4	15899206	1	Nut				

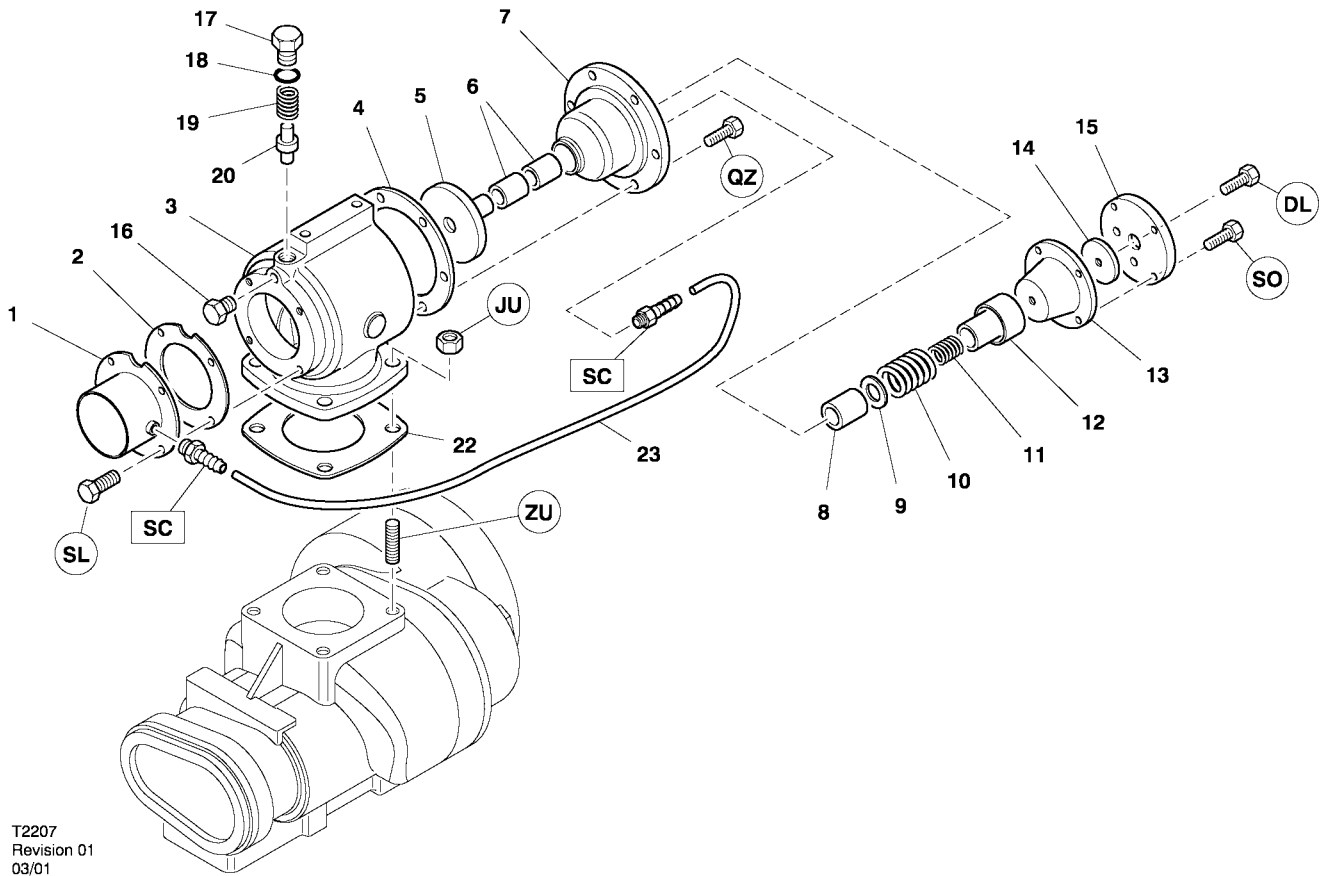


Item	ccn	Qty.	Description	Item	ccn	Qty.	Description
1	23286610	1	Relay				



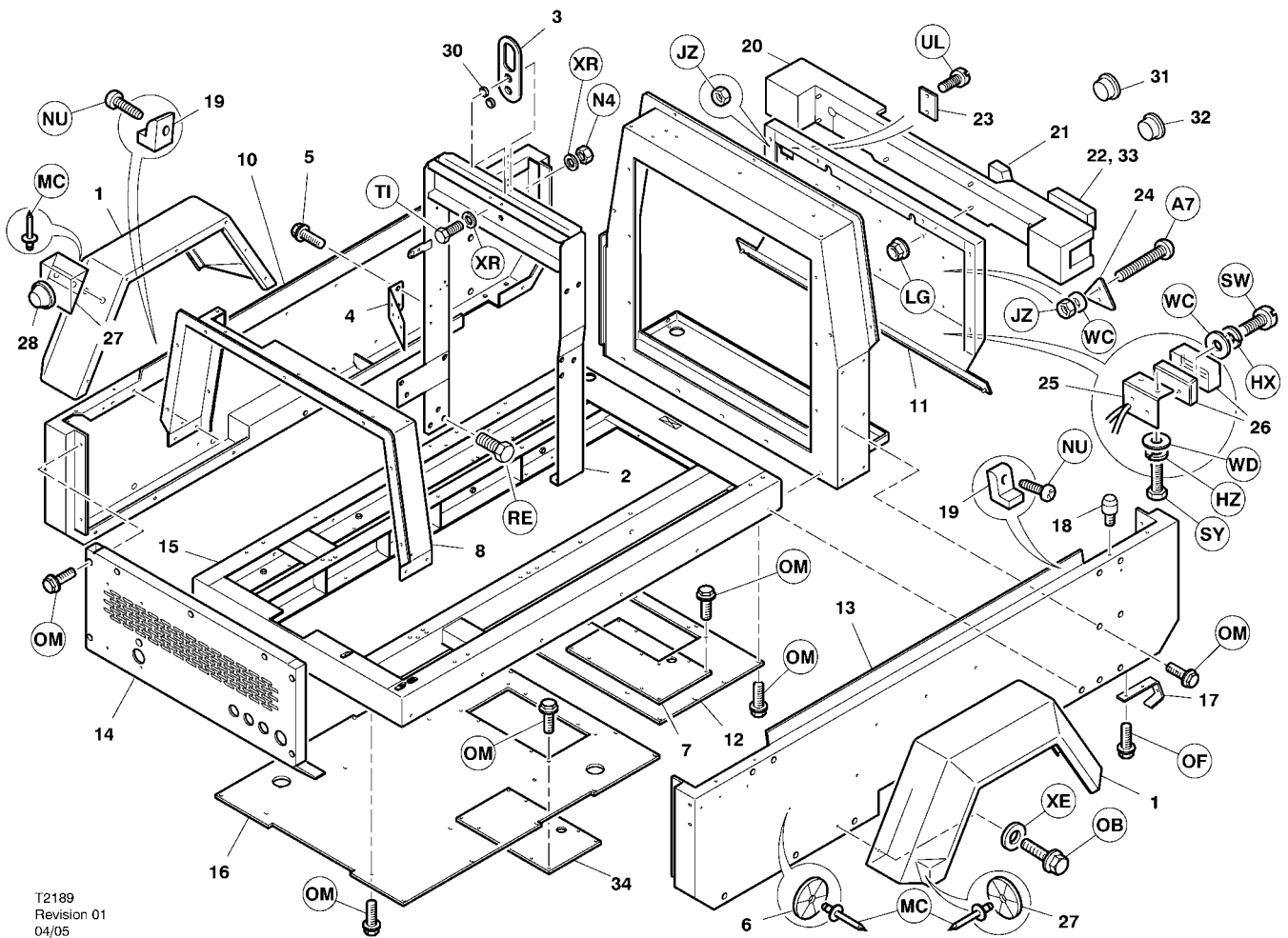
T2193
Revision 04
10/08

Item	ccn	Qty.	Description	Item	ccn	Qty.	Description
1	54390943	1	Airend	8	36880995	8	Screw
2	54390950	1	Adaptor	9	54755111	1	Coupling, hub
3	54471685	1	Bracket	10	93500924	8	Screw
4	54471057	1	Mount	11	35596436	1	Switch, temperature
5	54471677	1	Bracket	12	39404165	1	'O' Ring
6	35321421	1	Key	13	22317697	1	Spacer
7	22314348	1	Coupling	14	95376943	1	Set screw

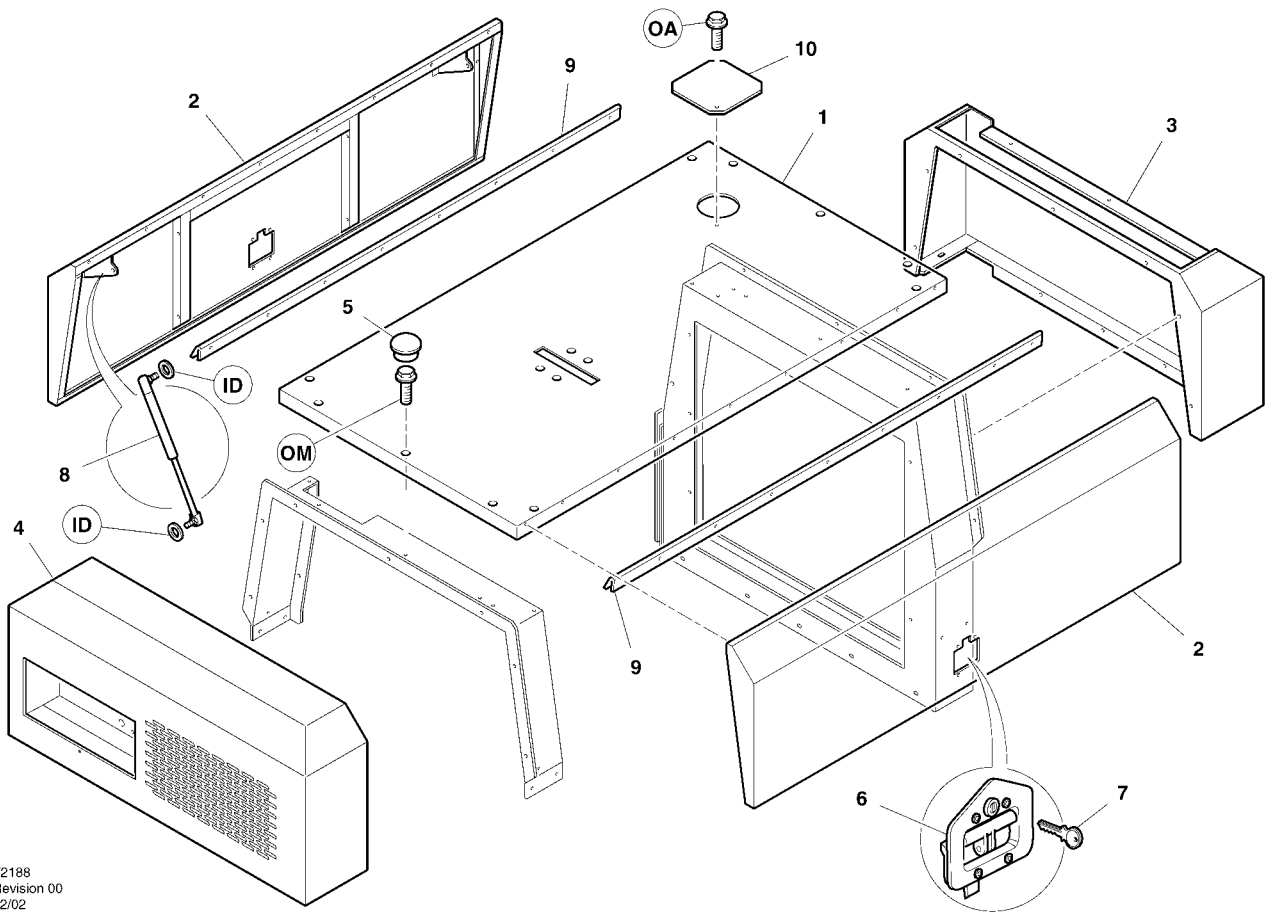


Item	ccn	Qty.	Description	Item	ccn	Qty.	Description
1	93151959	1	Flange	12	35588193	1	Piston
2	35588318	1	Gasket	13	35317197	1	Diaphragm
3-20	54436845	1	Valve, unloader	14	35317239	1	Washer
3	54425335	1	Body	15	35836949	1	Cover
4	35588300	1	Gasket	16	92497700	1	Plug
5	35591122	1	Plate	17	35278555	1	Plug
6	35318005	2	Bush	18	35278589	1	'O' Ring
7	35833227	1	Housing	19	35318914	1	Spring
8	35318013	1	Bush	20	35317213	1	Pin
9	35317205	1	Washer	21	-		
10	35322767	1	Spring	22	36889202	1	Gasket
11	92829233	1	Spring	23	35282292	0,4m	Tube (Nylon)

19 ENCLOSURE



Item	ccn	Qty.	Description	Item	ccn	Qty.	Description
1	92816974	2	Mudguard	19	92799519	4	Protector
2-3	23329808	1	Bail, lifting assembly fixed	20	92816982	1	Bar, bumper
	23329782	1	Bail, lifting assembly security	21	92901230	2	Light
2	23307630	1	Bail, lifting	22	92901222	2	Light
3	54629753	1	Eye, fixed	23	92822378	1	Plate, cover
	54629761	1	Eye, security	24	92721331	2	Reflector (red)
4	23343601	1	Bracket	25	89203822	1	Bracket
5	92972140	2	Screw	26	93477388	1	Fog light assembly
6	92121243	4	Reflector (amber)	27	92085729	2	Reflector (white)
7	36867174	1	Panel	28	54687801	2	Bracket
8	54501648	1	Support	29	92121250	2	Light, side
9	54511209	1	Support	30	54629787	4	Spacer
10	88132352	1	Panel	31	92783281	3	Plug
11	88132386	1	Panel	32	92898758	2	Plug
12	54512793	1	Panel	33	92479757	2	Bulb, light
13	54652862	1	Panel	34	23228406	1	Panel
14	54652870	1	Panel	*35	23212863	1	Reverse light assembly
15	23328040	1	Frame	*36	22716344	1	Holder, manual
16	54563663	1	Panel				* Not illustrated
17	92807585	2	Protector				
18	92035187	4	Pin, locating				

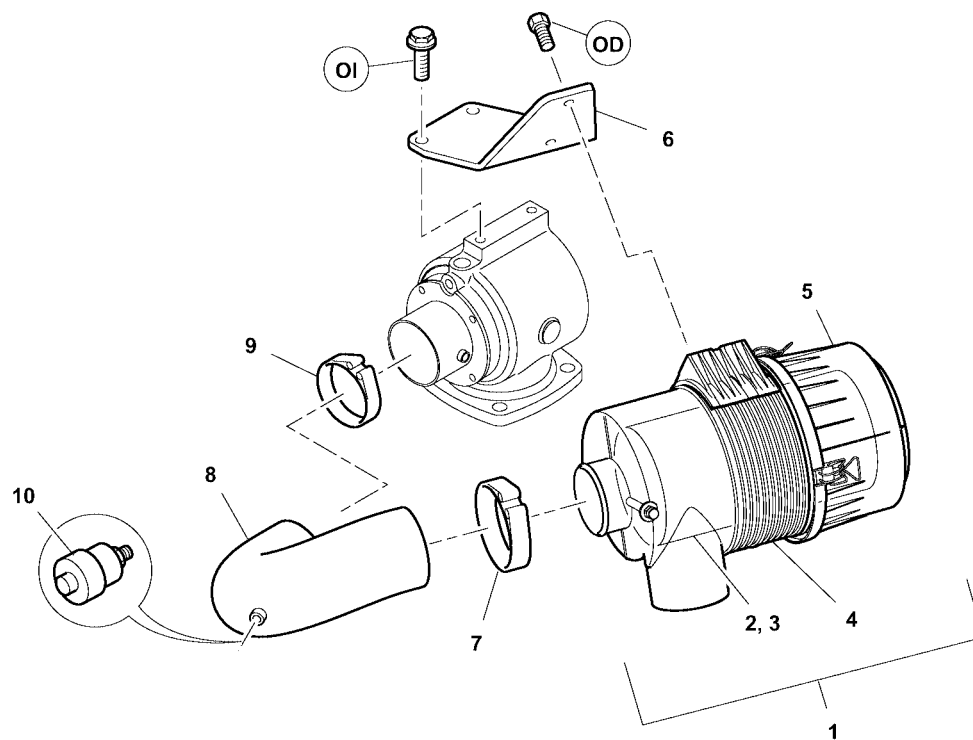


T2188
Revision 00
12/02

Item	ccn	Qty.	Description	Item	ccn	Qty.	Description
1	22185185	1	Panel	10	54758198	1	Plate, cover
2	54652847	2	Door	11	22217640	1	Panel
3	54652839	1	Enclosure, fixed	*12	23330392	1	Baffle, intake – top front
4	23343155	1	Enclosure, fixed	*13	96704176	4	Nut, hex. flange, M6
5	92783281	10	Plug	*14	22689400	1	Splitter, exhaust splitter
6-7	92816859	2	Latch	*15	92398122	1	Screw, hex. flange, M6x20
7	92094358	2	Key				
8	54443213	4	Spring, gas				
9	92816743	2	Hinge				

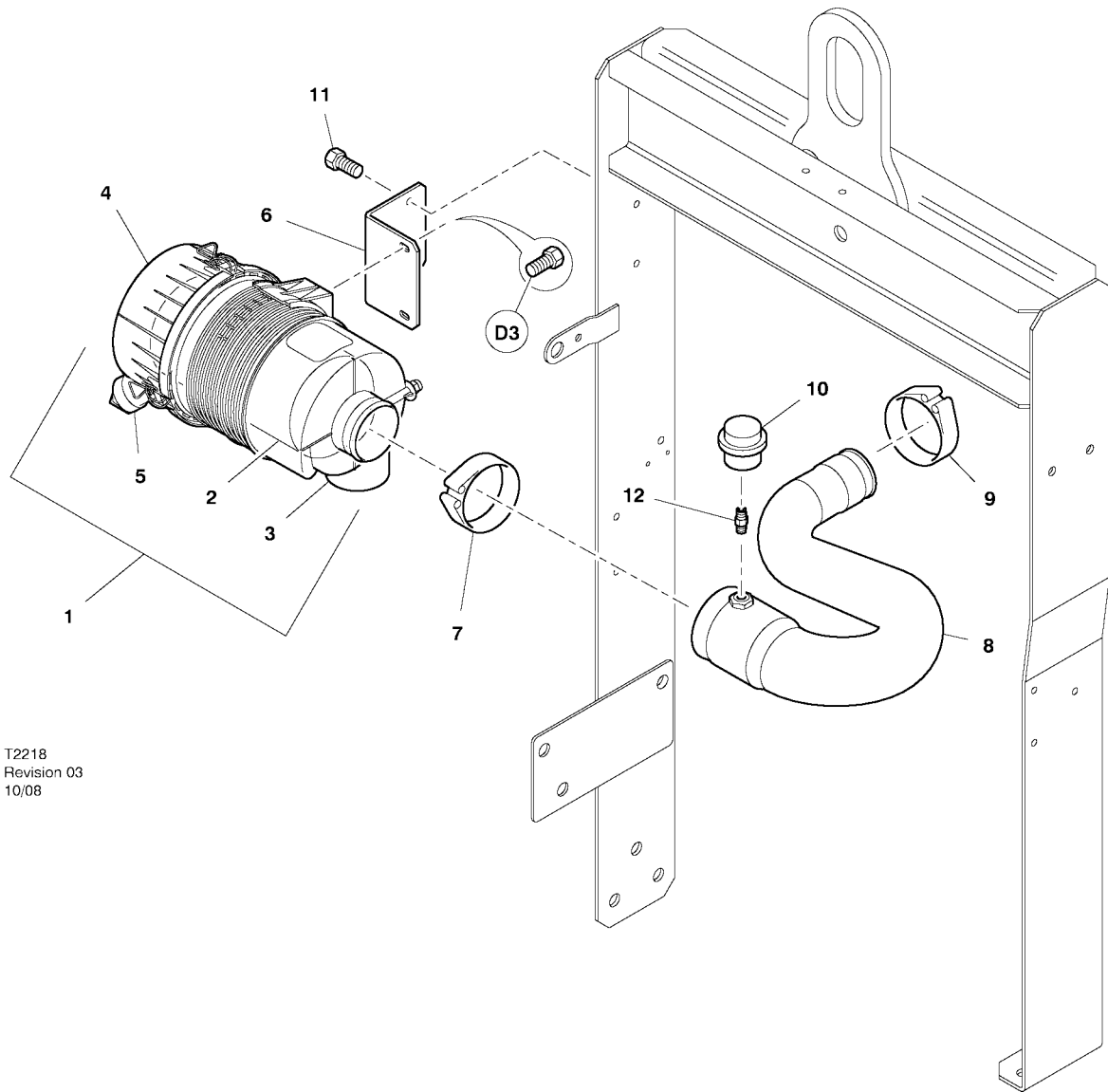
* Not illustrated, parts for CE version from s/n 521500

21 AIR INTAKE



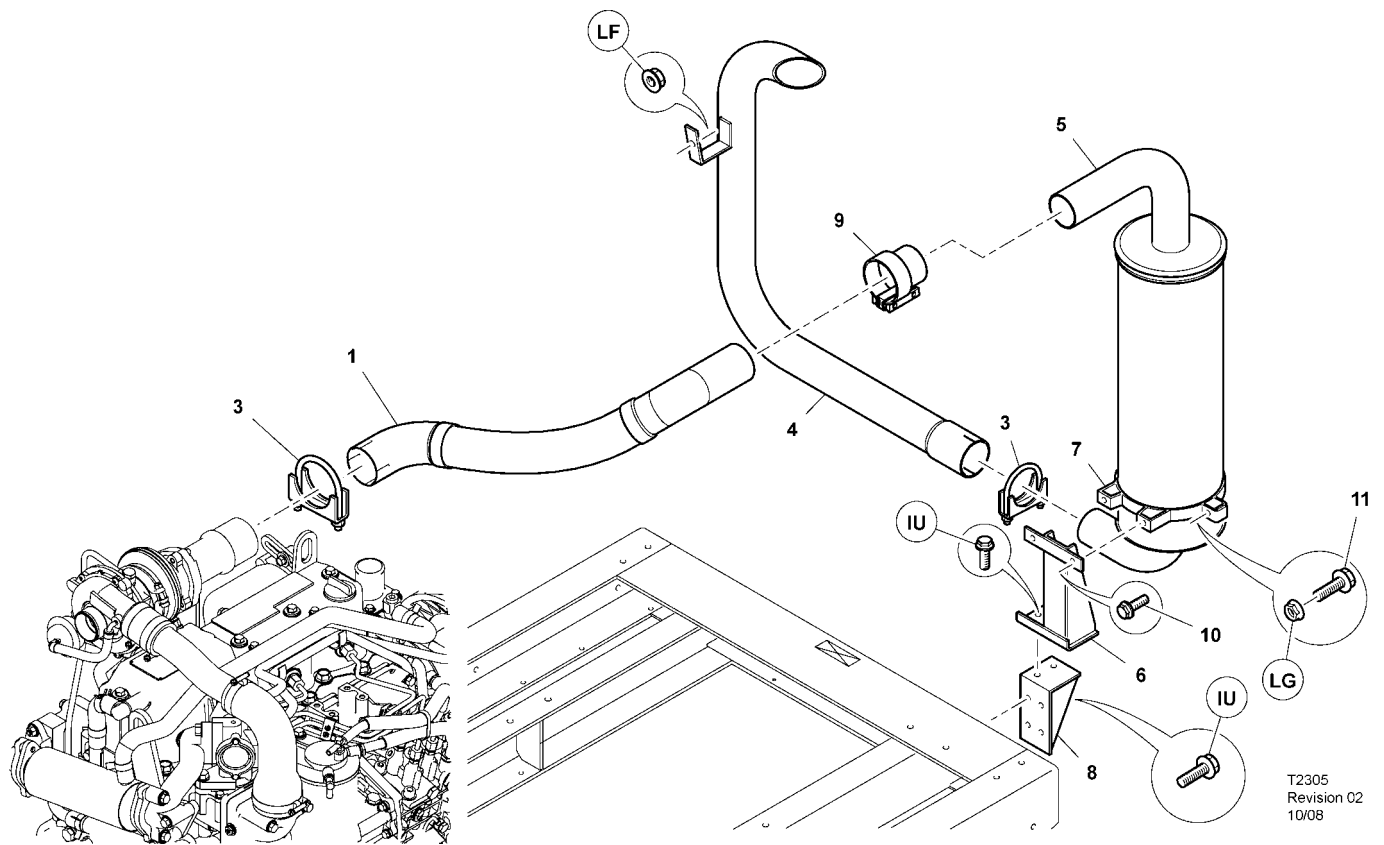
T2217
Revision 00
03/03

Item	ccn	Qty.	Description	Item	ccn	Qty.	Description
1-5	22272611	1	Filter assembly	6	22173231	1	Bracket
2	54626452	1	Element, air filter	7	92117696	1	Clamp
3	54751532	1	Element, air filter (safety)	8	54624754	1	Hose
4	85433860	1	Bracket, support	9	92172600	1	Clamp
5	85433878	1	Cap, end	10	35314939	1	Indicator, air restriction



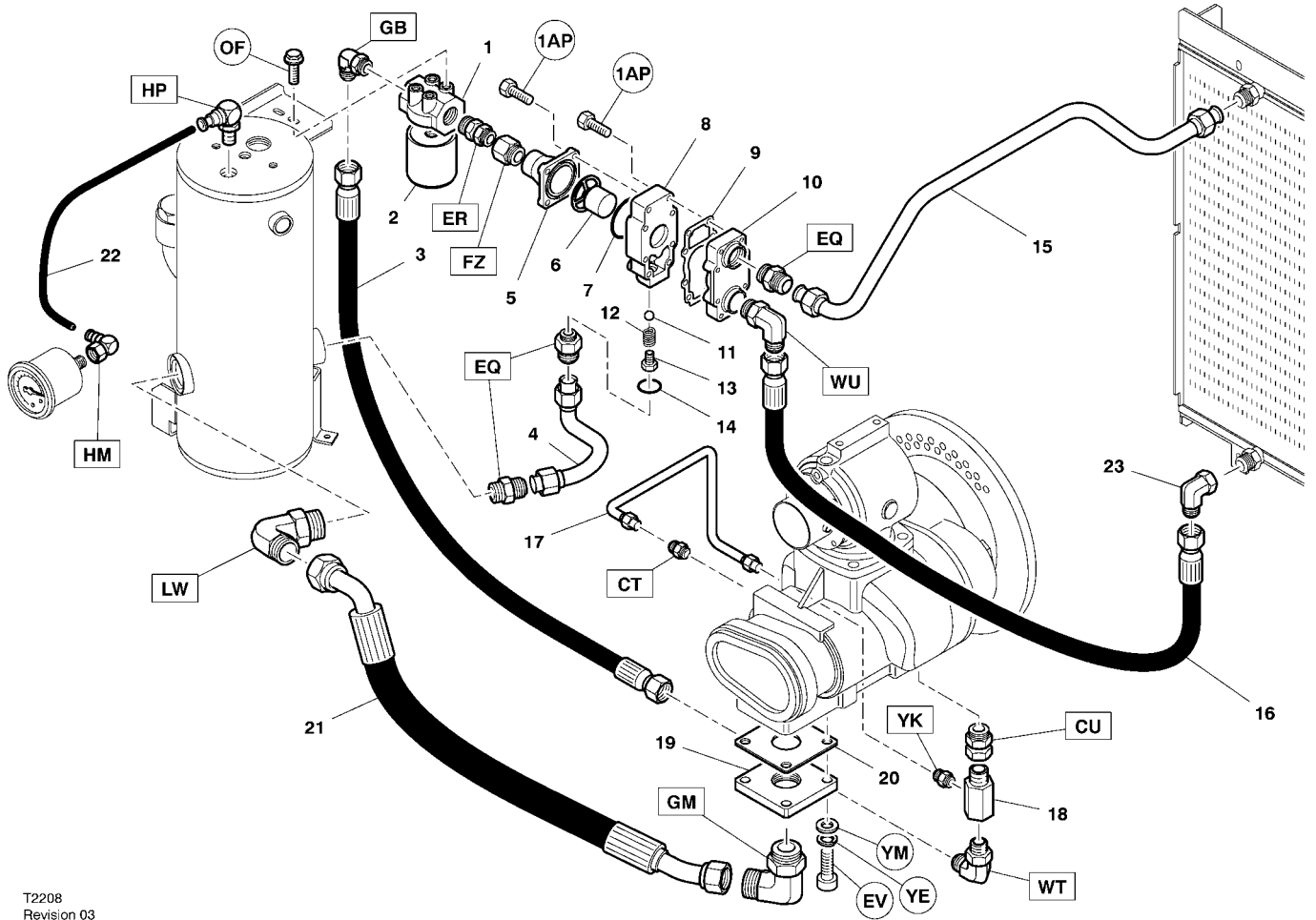
T2218
Revision 03
10/08

Item	ccn	Qty.	Description	Item	ccn	Qty.	Description
1-5	89204721	1	Filter assembly	7	35295781	1	Clamp
2	89232474	1	Element, air filter	8	23216435	1	Hose
3	85433894	1	Bracket, support	9	54640453	1	Clamp
4	85433902	1	Cap, end	10	35314939	1	Indicator, air restriction
5	85433886	1	Valve, vacuator	11	92972140	2	Screw
6	22173181	1	Bracket	12	95953493	1	Adaptor



T2305
Revision 02
10/08

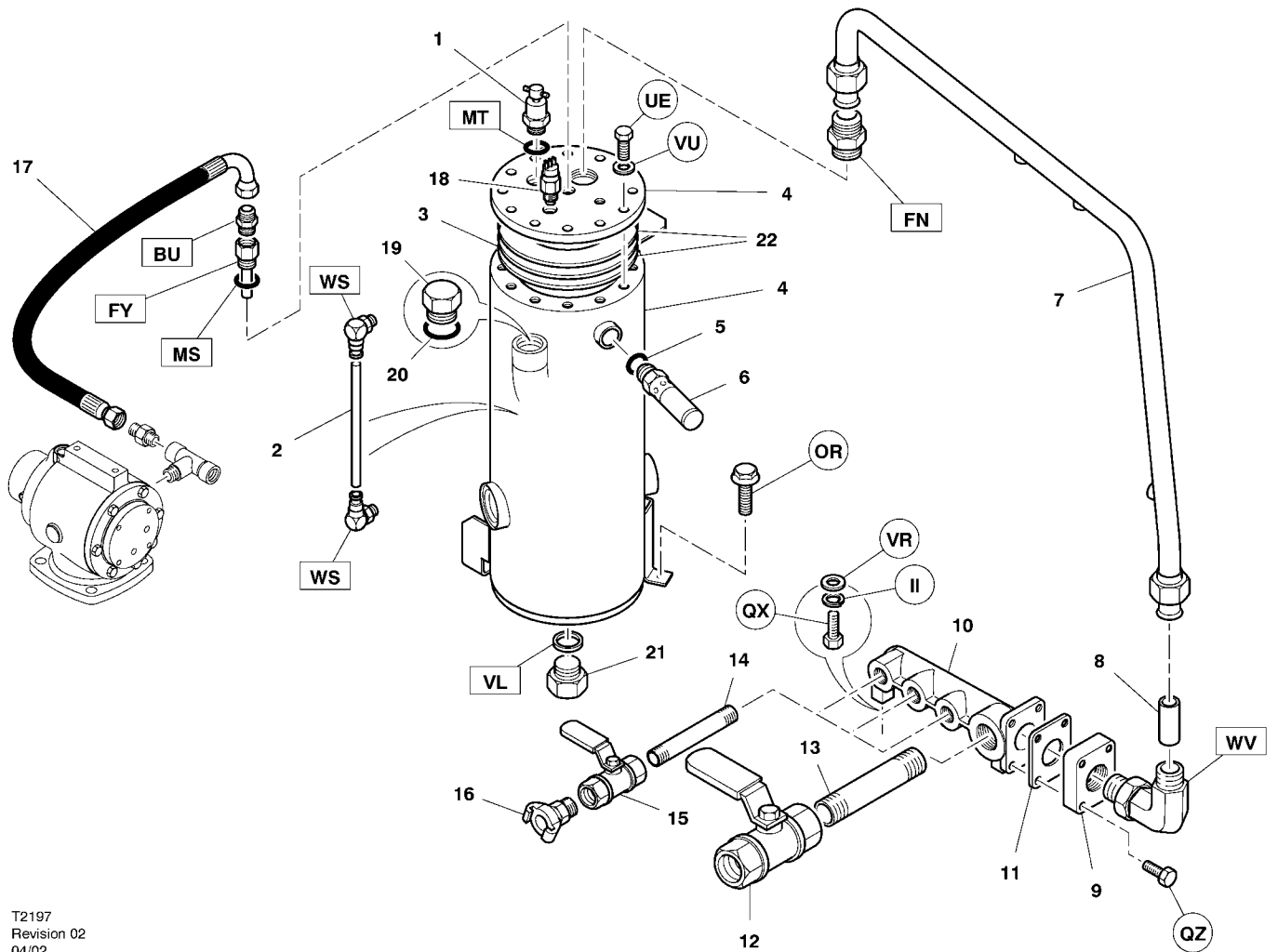
Item	ccn	Qty.	Description	Item	ccn	Qty.	Description
1	23215767	1	Pipe	7	92879139	1	Clamp
2		-		8	54660303	1	Bracket
3	92253079	2	Clamp	9	54715842	1	Clamp
4	54726922	1	Pipe	10	96704408	AR	Screw
5	22208078	1	Silencer	11	35271170	AR	Screw
6	54660287	1	Bracket				



T2208
Revision 03
10/08

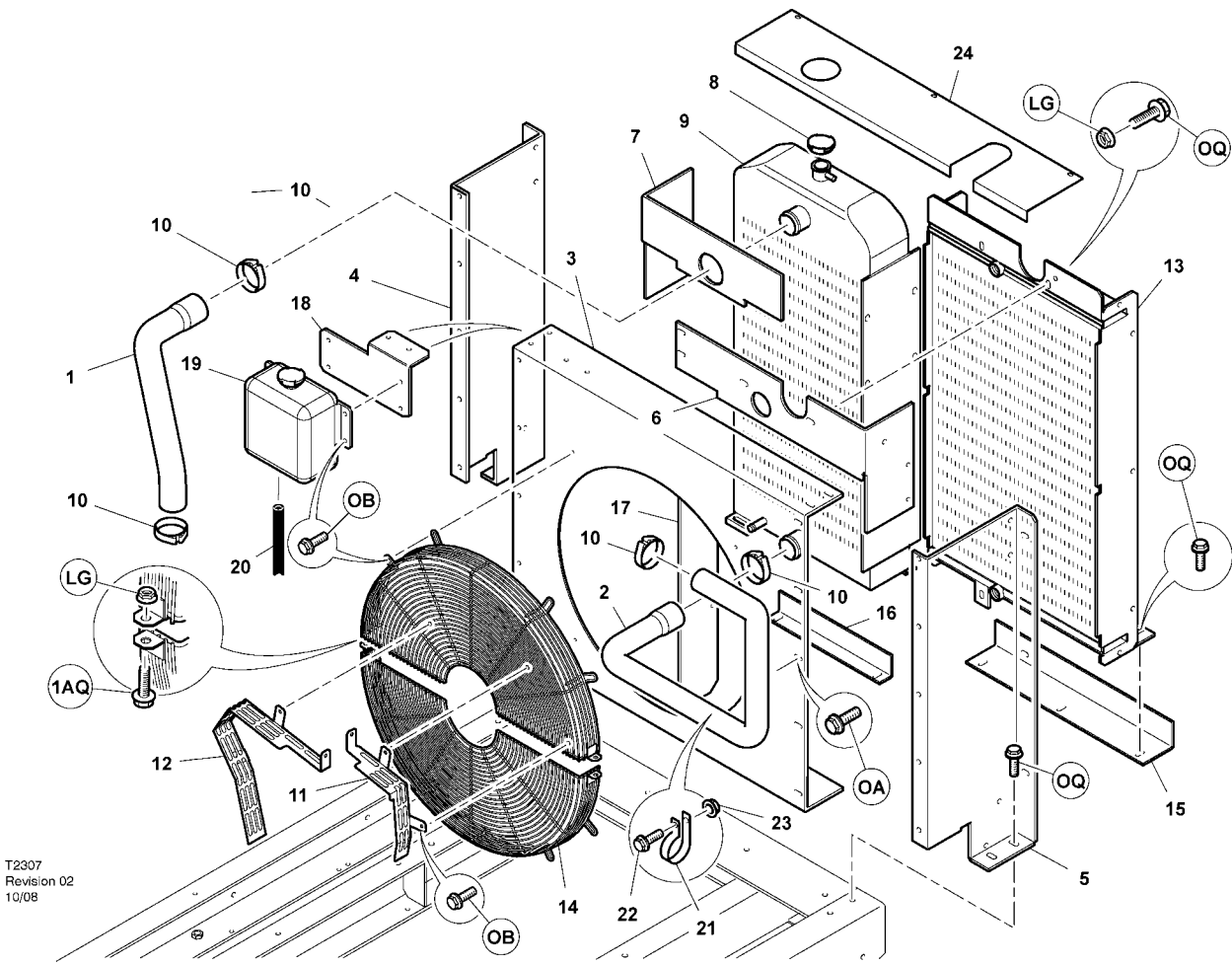
Item	ccn	Qty.	Description	Item	ccn	Qty.	Description
1-2	92079755	1	Filter assembly	13	36788164	1	Plug
2	92118678	1	Element	14	36788172	1	Seal
3	35323864	1	Hose assembly	15	22177273	1	Tube assembly
4	36923571	1	Tube assembly	16	35132877	1	Hose assembly
5-14	54414420	1	Valve, temperature bypass	17	93481570	1	Tube assembly
5	36876779	1	Cover	18	93481562	1	Manifold
6	36782019	1	Element, thermostatic valve	19	93481448	1	Adaptor
7	95022307	1	Gasket	20	93481455	1	Gasket
8	36876761	1	Housing	21	23226970	1	Hose assembly
9	35584242	1	Gasket	22	92490358	1	Tube (Nylon) 6mm x 60cm
10	36876753	1	Housing	23	35307206	1	Elbow
11	35288448	1	Ball				
12	35379940	1	Spring				

25 OIL/AIR PIPING



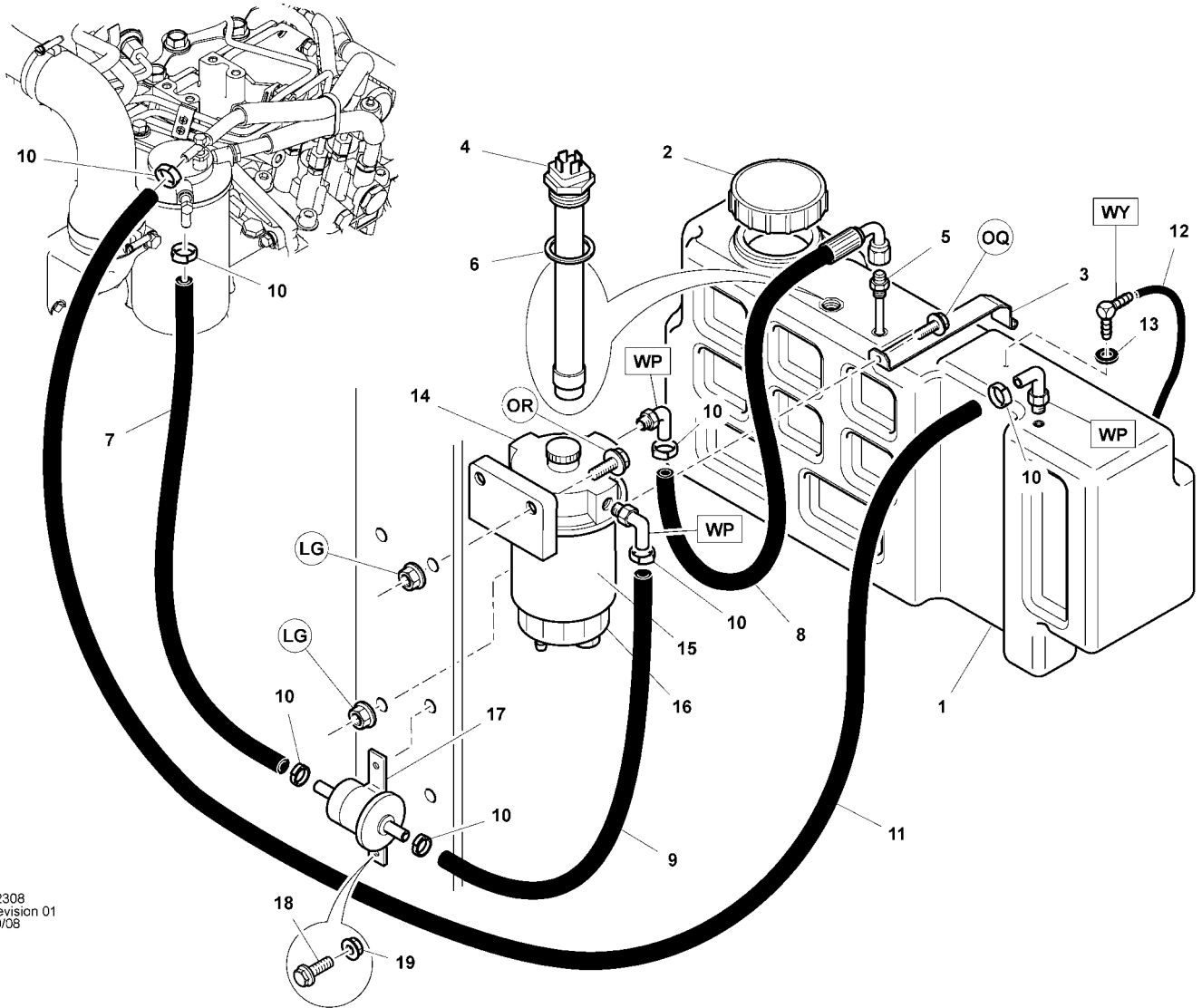
T2197
Revision 02
04/02

Item	ccn	Qty.	Description	Item	ccn	Qty.	Description
1	93181865	1	Valve, relief	9	54573191	1	Plate, adaptor
2	89284871	1	Tube	10	36710036	1	Manifold
3	54625942	1	Element	11	35294628	1	Gasket
4	54588009	1	Tank, separator (7/71)	12	92111228	1	Valve, service
	54588017	1	Tank, separator (12/56)	13	92961077	1	Nipple
5	92290162	1	Seal	14	54580279	3	Nipple
6	89259485	1	Valve, safety (7/71)	15	92294461	3	Valve, service
	89308191	1	Valve, safety (12/56)	16	92178524	3	Coupling
7	54525233	1	Tube assembly (7/71)	17	54739701	1	Hose assembly
	54570338	1	Tube assembly (12/56)	18	92762756	1	Switch, temperature
8	22454425	1	Orifice, sonic (7/71)	19	35579630	1	Plug
	22454417	1	Orifice, sonic (12/56)	20	35279942	1	'O' Ring
				21	93502128	1	Plug
				22	80022833	2	Gasket



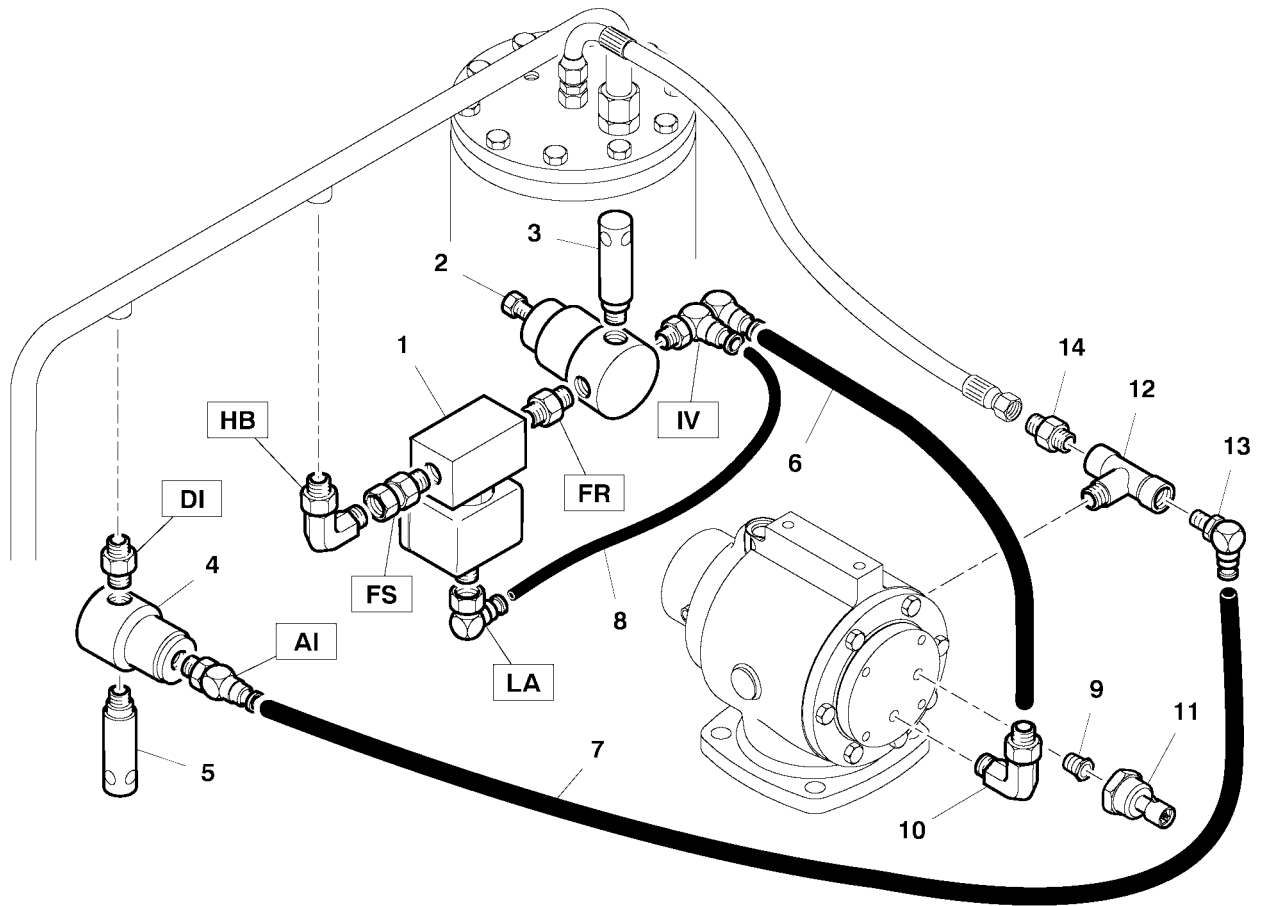
T2307
Revision 02
10/08

Item	ccn	Qty.	Description	Item	ccn	Qty.	Description
1	22230783	1	Hose	13	54666326	1	Cooler, oil
2	22230775	1	Hose	14	23316003	1	Guard
3	23215171	1	Shroud	15	54372842	1	Baffle
4	54510011	1	Panel	16	54372859	1	Baffle
5	54510029	1	Panel	17	54509856	1	Bracket
6	54509682	1	Panel	18	22180384	1	Bracket
7	54509690	1	Panel	19	36884948	1	Tank, header
8	36769560	1	Cap, radiator	20	92111335	1	Hose
9	23307598	1	Radiator	21	35119718	1	Clamp
10	92253129	4	Clip, retaining	22	92096015	1	Screw
11	23316979	1	Guard	23	96704176	1	Nut
12	23217771	1	Guard	24	54538442	1	Panel



T2308
Revision 01
10/08

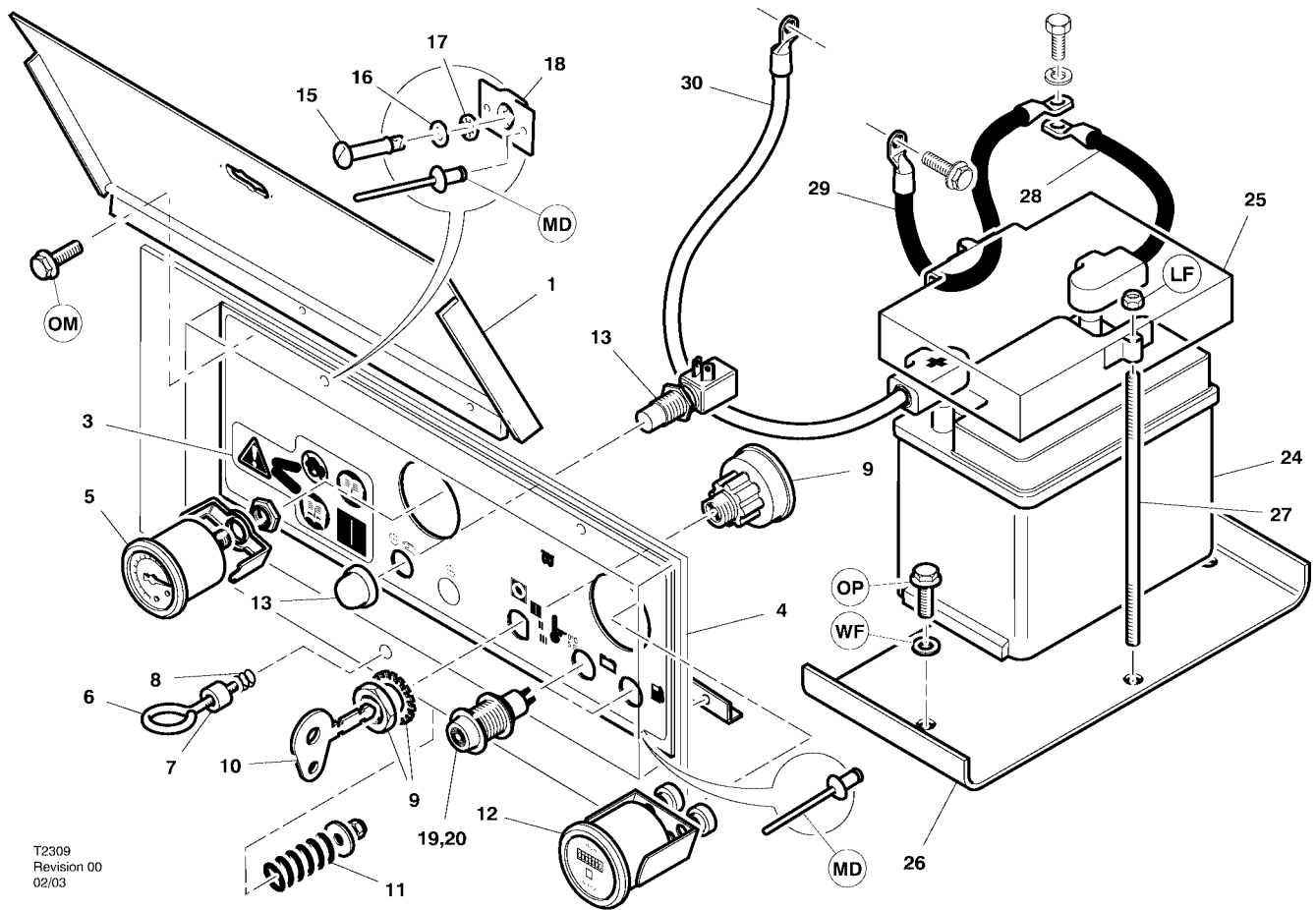
Item	ccn	Qty.	Description	Item	ccn	Qty.	Description
1-2	54530191	1	Tank, fuel	11	54576624	1	Hose (64cm)
2	89230759	1	Cap	12	22167084	1	Hose (30cm)
3	22180558	1	Strap	13	89257489	1	Grommet
4	54626999	1	Sensor	14-16	54468160	1	Filter assembly
5	22163760	1	Drop-tube	14	54480512	1	Head
6	85433340	1	Washer	15	54468178	1	Element
7	54576624	1	Hose (30cm)	16	54480504	1	Bowl
8	54739719	1	Hose assembly	17	22226385	1	Fuel pump
9	54576624	1	Hose (36cm)	18	92096015	2	Screw
10	22817365	7	Clip, retaining	19	96704176	2	Nut



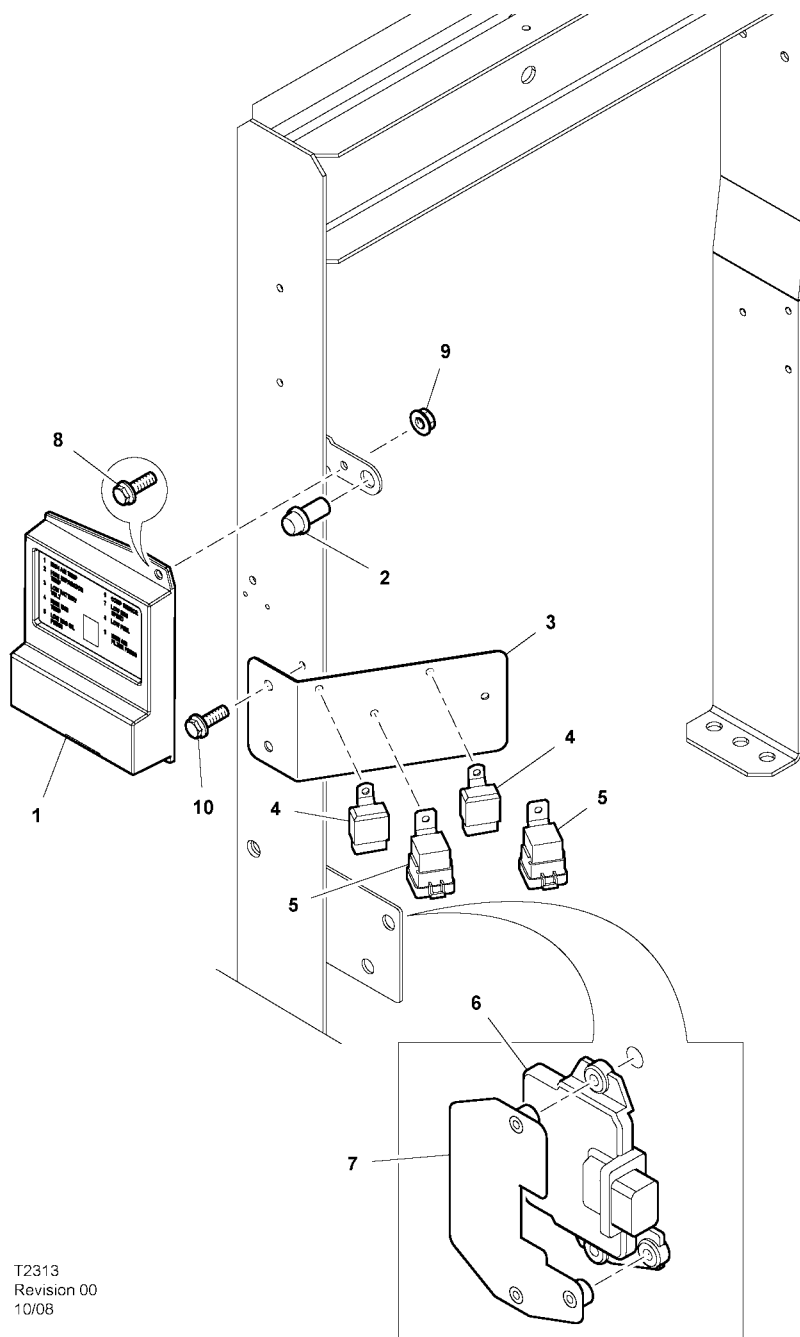
T2200
Revision 01
10/08

Item	ccn	Qty.	Description	Item	ccn	Qty.	Description
1	92793124	1	Valve, solenoid	8	92799378	0,2m	Tube (Nylon) 8mm
2	35355106	1	Regulator (7/71)	9	95930301	1	Bushing
2	35359090	1	Regulator (12/56)	10	54403274	1	Elbow
3	92549195	1	Orifice, silencer	11	36920825	1	Pressure switch
4	54748363	1	Valve, blowdown	12	95999058	1	Tee
5	92549369	1	Orifice, silencer	13	54403266	1	Elbow
6	92799378	1,0m	Tube (Nylon) 8mm	14	35283472	1	Connector
7	92490358	0,5m	Tube (Nylon) 6mm	*15	23343080	1	Harness

* Not illustrated

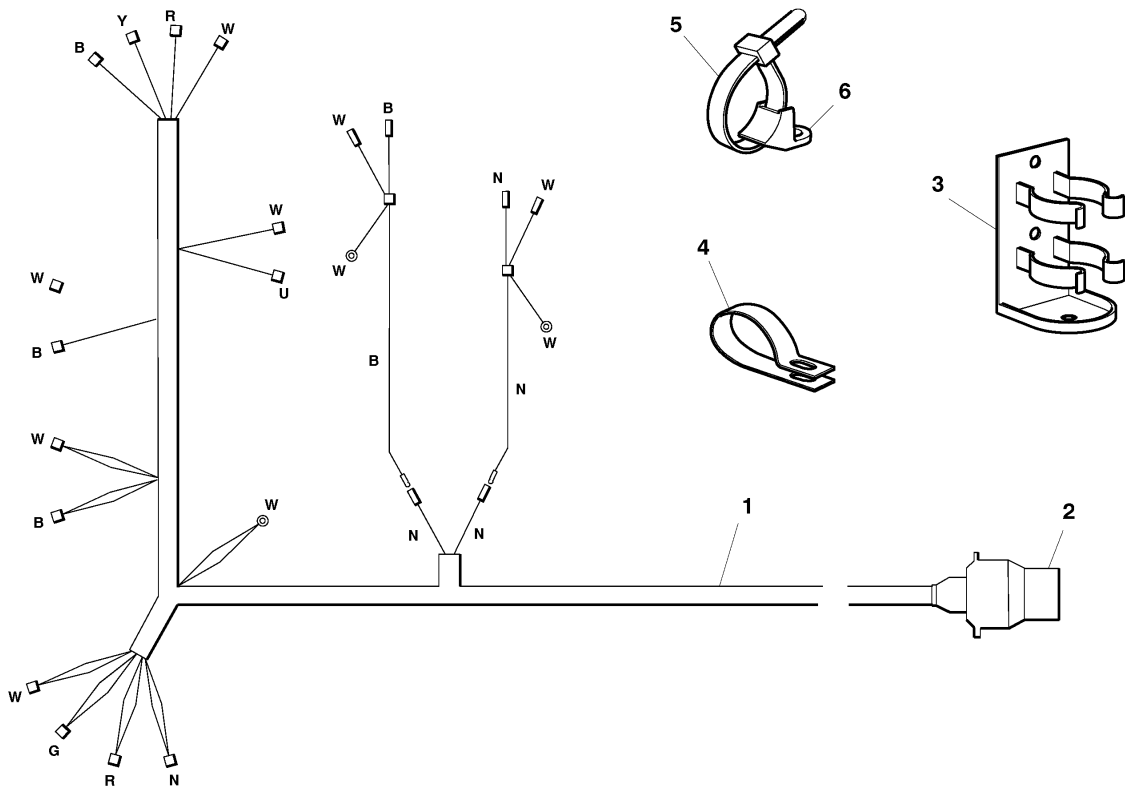


Item	ccn	Qty.	Description	Item	ccn	Qty.	Description
1	88091095	1	Door assembly	16	92042241	2	Washer
2	-			17	92659747	2	Washer
3	22184477	1	Decal, facia	18	88091996	2	Plate, retaining
4	23360993	1	Panel, instrument assembly	19	93466381	2	Light
5	93531184	1	Gauge, pressure	20	-		
6	92790476	1	Eye	*21	89284558	1	Fuse
7	92799527	1	Spacer	*22	92076173	2	Relay
8	35376342	1	Spring	*23	92969914	6	Diode
9	92086719	1	Key-switch	24	22176655	1	Battery
10	92075530	1	Key	25	92869528	1	Cover, battery
11	92799840	1	Spring	26	54582325	1	Drip tray
12	92306901	1	Hourmeter	27	92776749	2	Stud
13	35255553	1	Button, start/run	28	93193191	1	Cable (-)
*14	23343080	1	Harness, main	29	92789734	1	Cable, (-)
15	92659713	2	Stud	30	23341092	1	Cable (+)



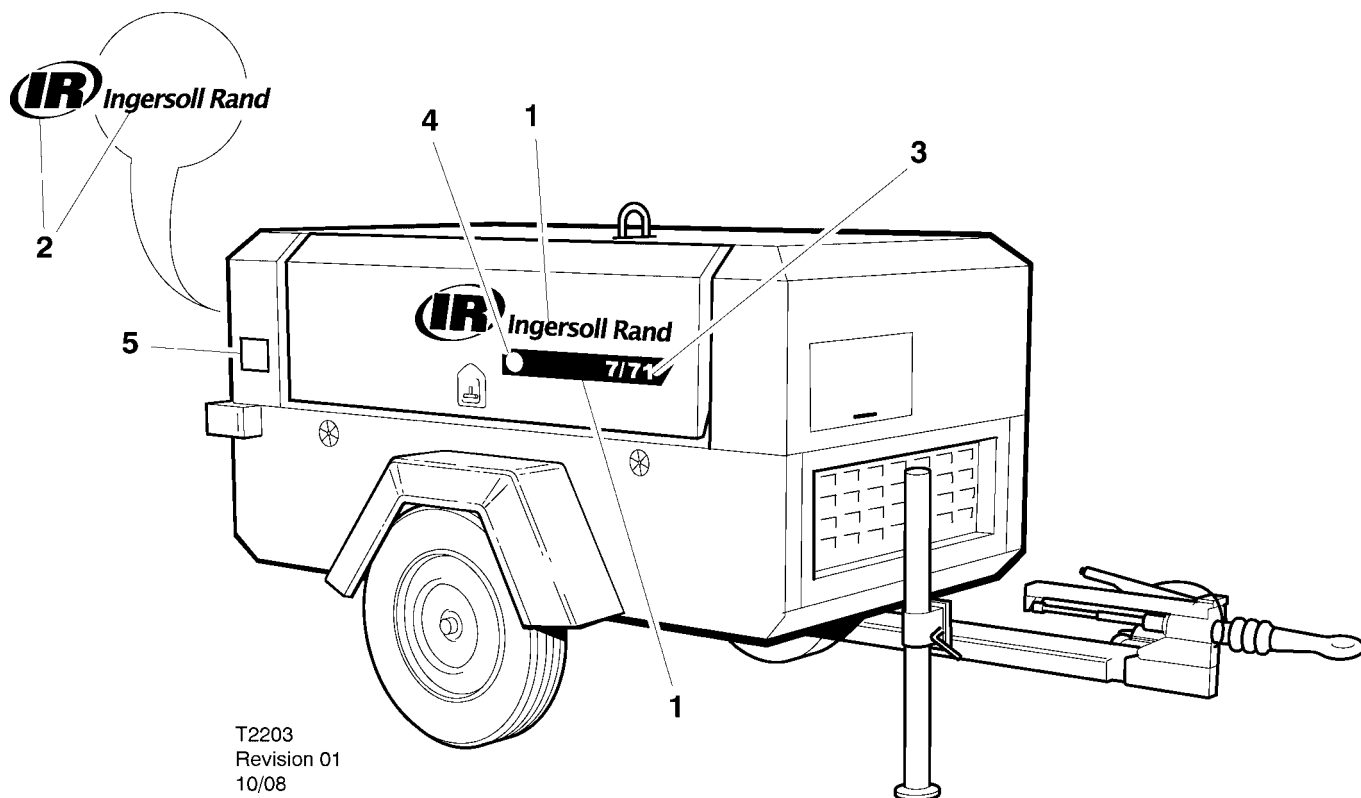
T2313
Revision 00
10/08

Item	ccn	Qty.	Description	Item	ccn	Qty.	Description
1	23217185	1	Controller-SECU	6	23286560	1	ECU Yanmar
2	23362841	1	Lamp, engine service	7	23261290	1	Bracket, ECU
3	23343601	1	Bracket, relays	8	92096015	2	Screw
4	23286610	2	Relay Yanmar	9	96704176	2	Nut
5	36878361	2	Relay	10	92972140	2	Screw



T2209
Revision 00
01/01

Item	ccn	Qty.	Description	Item	ccn	Qty.	Description
1	92961846	1	Harness	KEY			
†	23359441	1	Harness (Reverse light)				
2	92912351	1	Plug	B			Black
3	92280817	1	Holder	G			Green
4	92253194	8	Clip, retaining	N			Brown
5	92803808	6	Clip, retaining	P			Purple
6	92803790	6	Base	R			Red
				U			Blue
				W			White
				Y			Yellow



Item	ccn	Qty.	Description	Item	ccn	Qty.	Description
			7/71				
1	22887780	2	Decal, logotype	*7	23344104	1	Manual, Operation and Maintenance (en)
2	23300460	1	Decal, logotype	*8	23344179	1	Manual, Operation and Maintenance (fr, nl, de)
3	54660584	2	Decal, model (7/71)	*9	23344187	1	Manual, Operation and Maintenance (da, sv, no, fi)
			12/56				
1	22887780	2	Decal, logotype	*10	23344195	1	Manual, Operation and Maintenance (pt, it, es)
2	23300460	1	Decal, logotype	*11	23344252	1	Manual, Operation and Maintenance (ru)
3	54660592	2	Decal, model (12/56)	*12	23344260	1	Manual, Operation and Maintenance (bg)
4	54660790	1	Decal Engine	*13	23344278	1	Manual, Operation and Maintenance (ro)
5	22062335	1	Decal, sound power	*14	23344294	1	Manual, Operation and Maintenance (pl)
*6	93171882	1	KIT - INTERNAL DECALS	*15	23361439	1	Manual, Parts catalogue

* Not illustrated



1



2



3



4



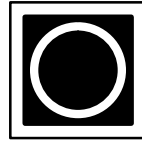
5



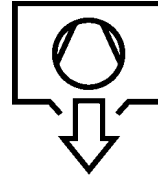
6



7



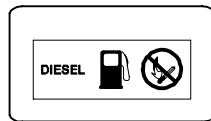
8



9



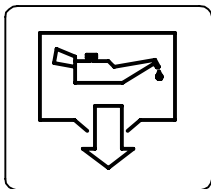
10



11



14



12



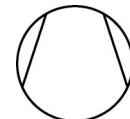
13



17



18



19

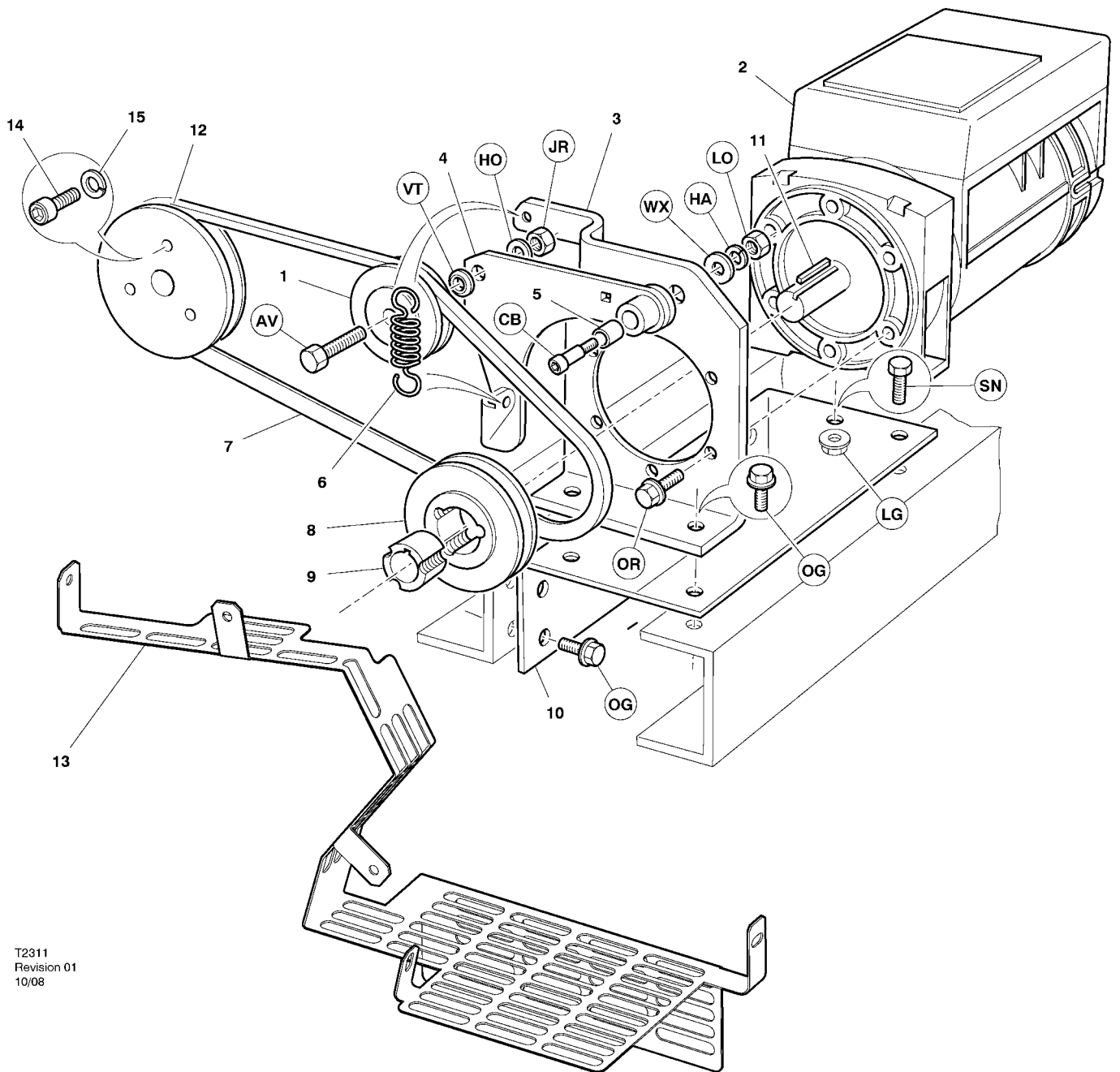


15



16

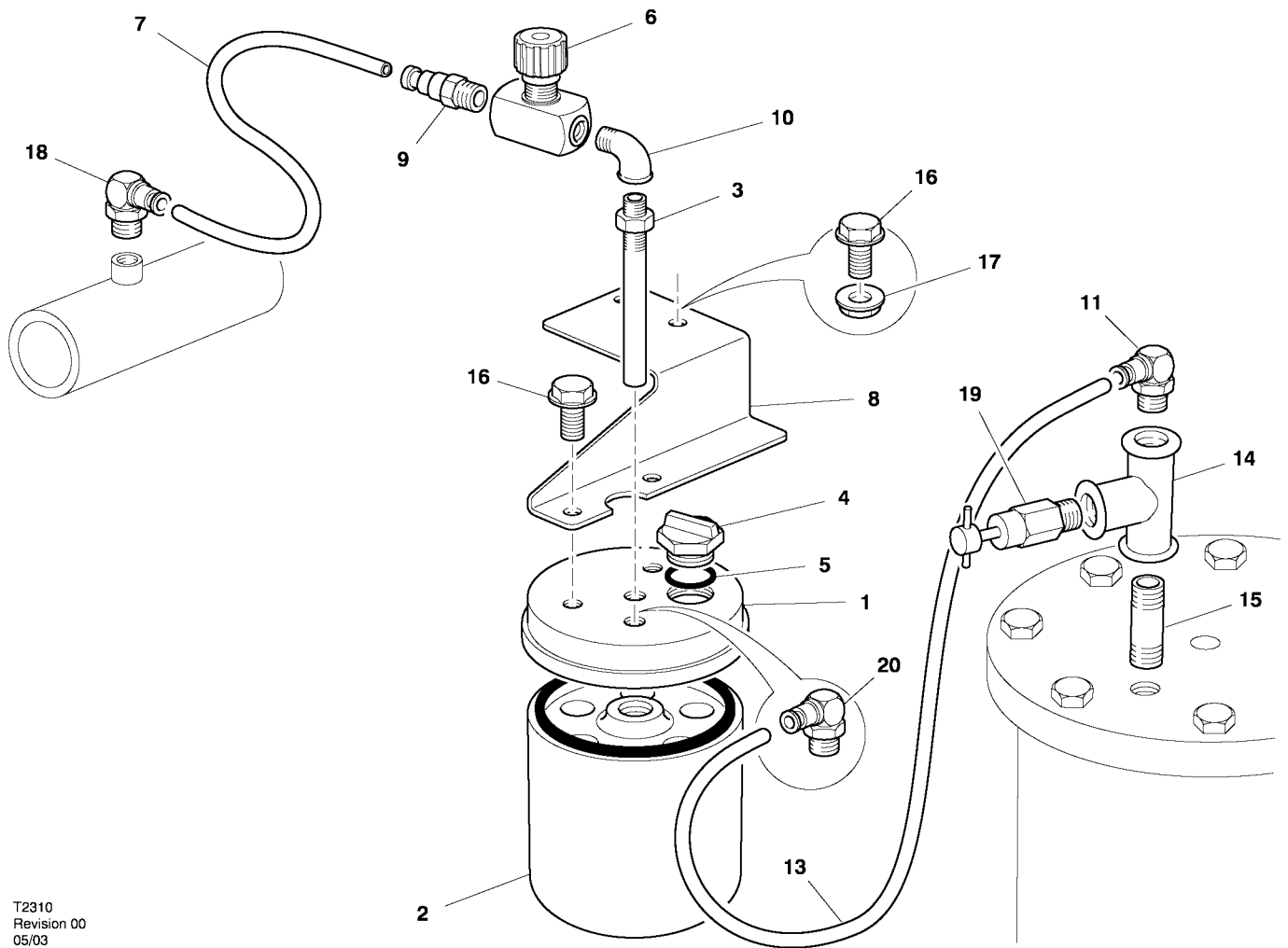
Item	ccn	Qty.	Description	Item	ccn	Qty.	Description
1	92930593	1	Decal, electric shock symbol	11	93171254	1	Decal, diesel fuel symbol
2	92867530	1	Decal, hot surface symbol	12	93171239	1	Decal, engine oil drain symbol
3	92930601	1	Decal, corrosive substance symbol	13	93171262	3	Decal, lift/tie point symbol
4	92930585	1	Decal, pressurised vessel symbol	14	93465383	1	Decal, service valve symbol
5	92930668	1	Decal, no maint/read book symbol	15	89298491	1	Decal, Protec oil
6	93165959	1	Decal, use guards when running symbol	16	92976042	1	Decal, exhaust gas discharge symbol
7	92867449	2	Decal, refer to handbook symbol	17	93194413	1	Decal, do not stand
8	92930650	1	Decal, emergency stop symbol	18	93171270	1	Decal, engine oil fill
9	93171247	1	Decal, coolant drain symbol #1	19	93171288	1	Decal, coolant fill
10	92867415	1	Decal, close doors symbol				



T2311
Revision 01
10/08

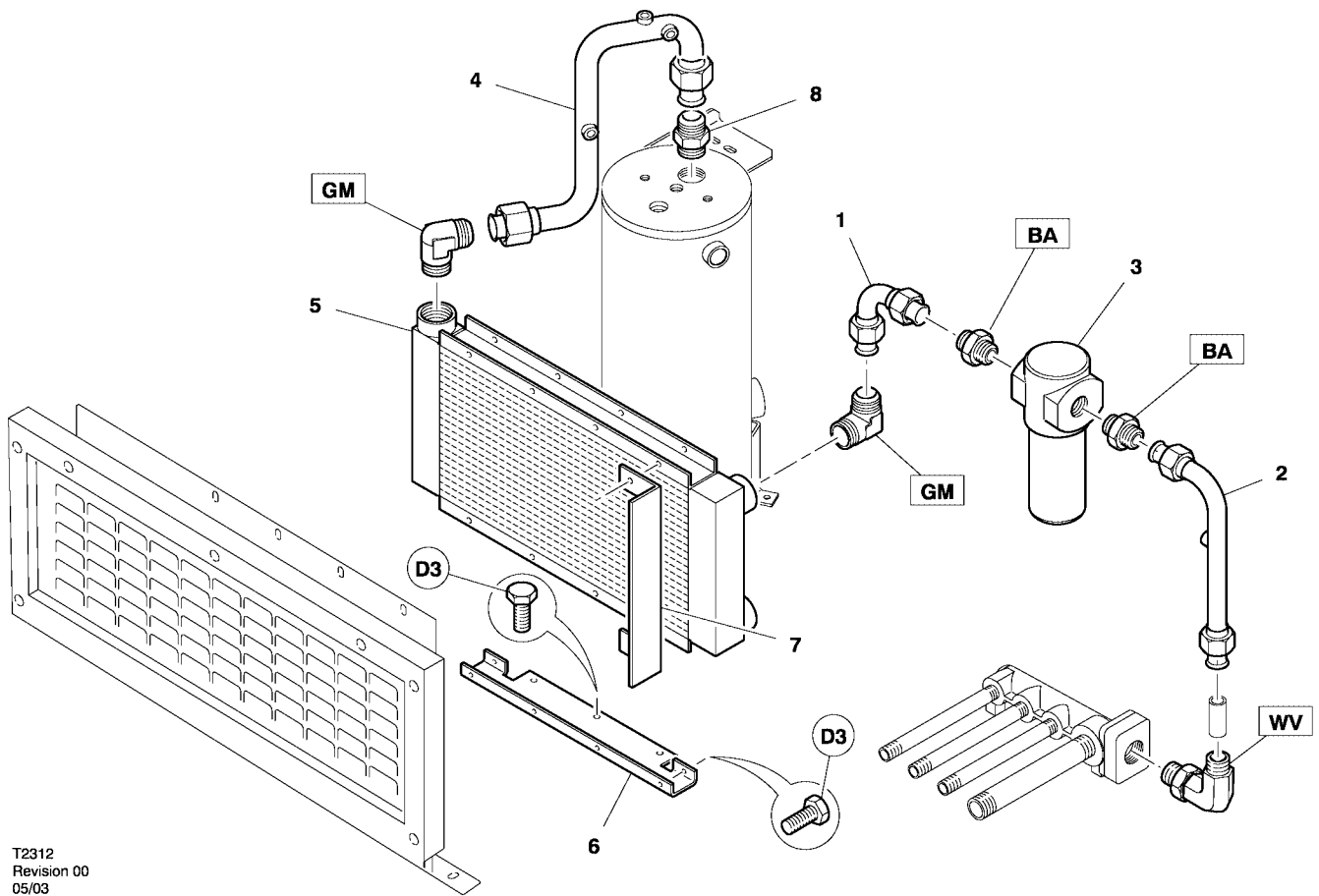
Item	ccn	Qty.	Description	Item	ccn	Qty.	Description
1	92690890	1	Pulley	11	35320688	1	Key
2	88123229	1	Generator 110/230V – 1 phase	12	23350507	1	Pulley
	89230494	1	Generator 400/230V – 3 phase	13	23353873	1	Guard
3	54581152	1	Bracket	14	92465590	3	Screw
4	54581178	1	Lever	15	92304674	3	Washer
5	35320688	1	Bush	*16	23353881	1	Guard, fan
6	22401855	1	Spring	*17-19	92699412	1	Kit, earth spike
7	54621149	1	Belt, drive	*17	92699420	1	Earth spike
8	54603337	1	Pulley	*18	92699438	1	Cable, earth
9	88091889	1	Bush	*19	93181366	1	Stud Earth point
10	54621131	1	Bracket				* Not illustrated

35 OPTIONS – Lubricator



T2310
Revision 00
05/03

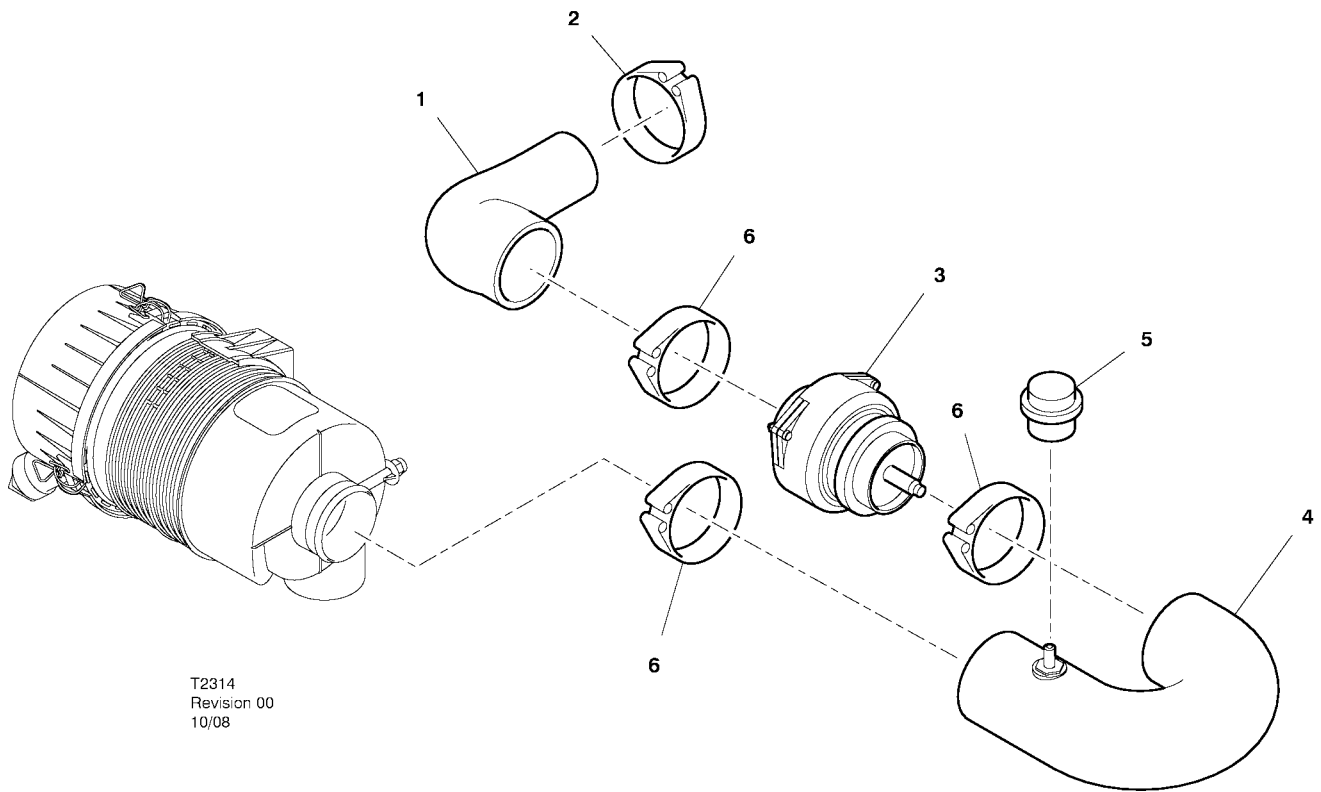
Item	ccn	Qty.	Description	Item	ccn	Qty.	Description
1-18		1	KIT-LUBRICATOR	*12	93163897	1	Decal (GB) (F) (D)
1	92919398	1	Head	13	92067982	AR	Tube (Nylon) 10mm
2	92919380	1	Housing	14	92354729	1	Tee
3	92911288	1	Tube	15	92005701	1	Nipple
4	92919810	1	Plug	16	92472638	4	Screw
5	92290162	1	Seal	17	92473594	2	Nut
6	92919554	1	Valve	18	54403209	1	Elbow
7	92490358	AR	Tube (Nylon) 6mm	19	92043017	1	Valve, relief
8	22259956	1	Bracket	20	54403191	1	Elbow
9	92793173	1	Adaptor				* Not illustrated
10	92185016	1	Elbow				
11	92823913	1	Elbow				



T2312
Revision 00
05/03

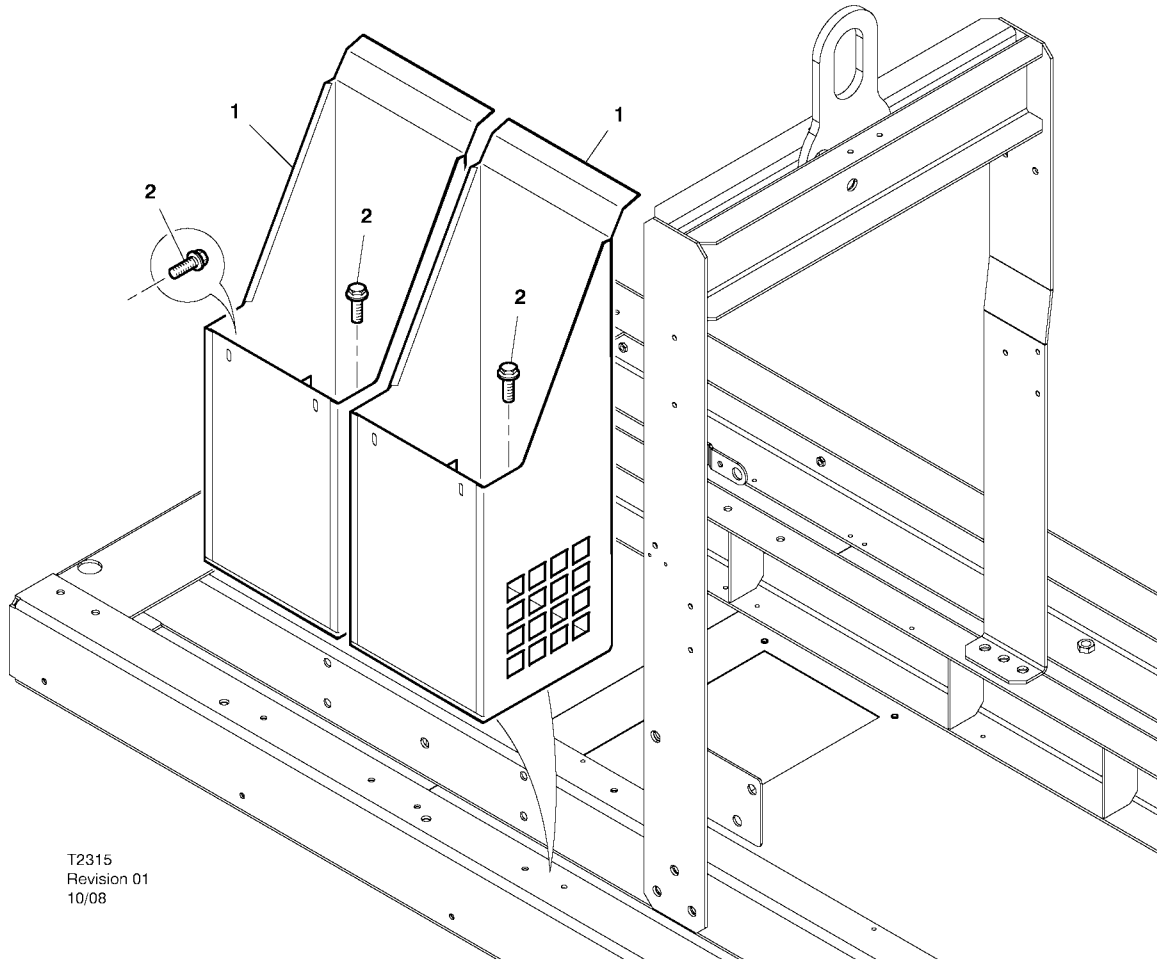
Item	ccn	Qty.	Description	Item	ccn	Qty.	Description
1	22223648	1	Tube assembly	5	22224422	1	Aftercooler
2	22224000	1	Tube assembly	6	54590815	1	Bracket
3	91112185	1	Separator, water	7	54685292	1	Baffle
4	54589932	1	Tube assembly	8	95371225	1	Adaptor

37 OPTIONS – Over speed valve



T2314
Revision 00
10/08

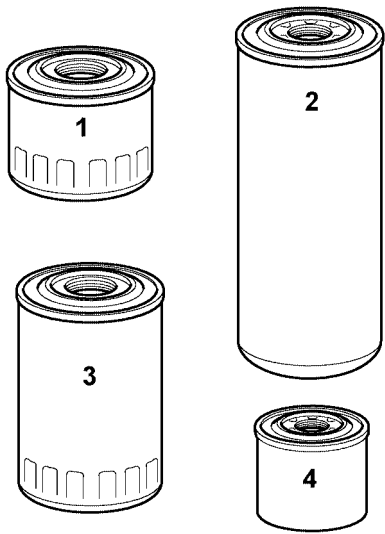
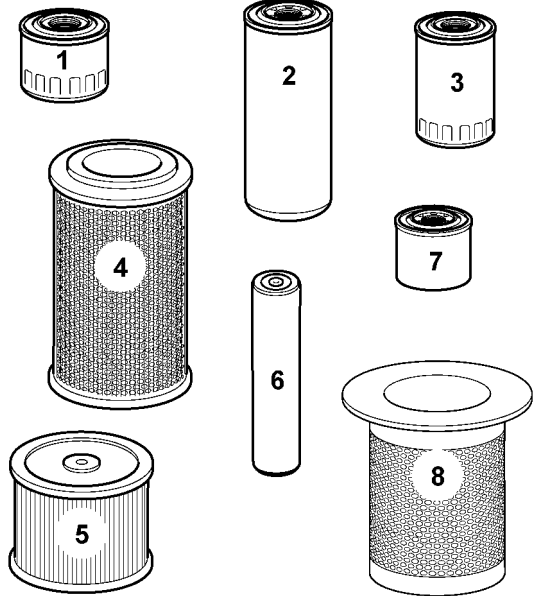
Item	ccn	Qty.	Description	Item	ccn	Qty.	Description
1	23350283	1	Hose	4	23350333	1	Hose
2	35295773	1	Clamp	5	35314939	1	Indicator, air restriction
3	92865781	1	Over speed valve	6	89303853	3	Clamp

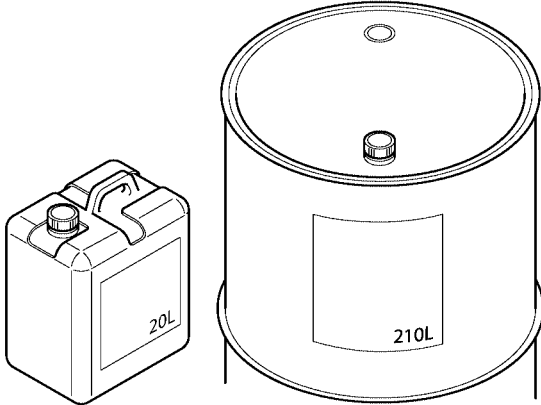
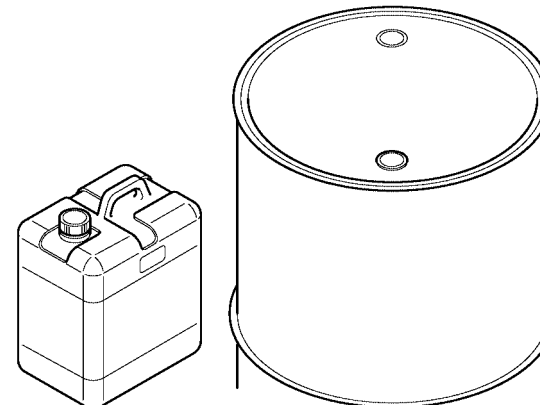


T2315
Revision 01
10/08

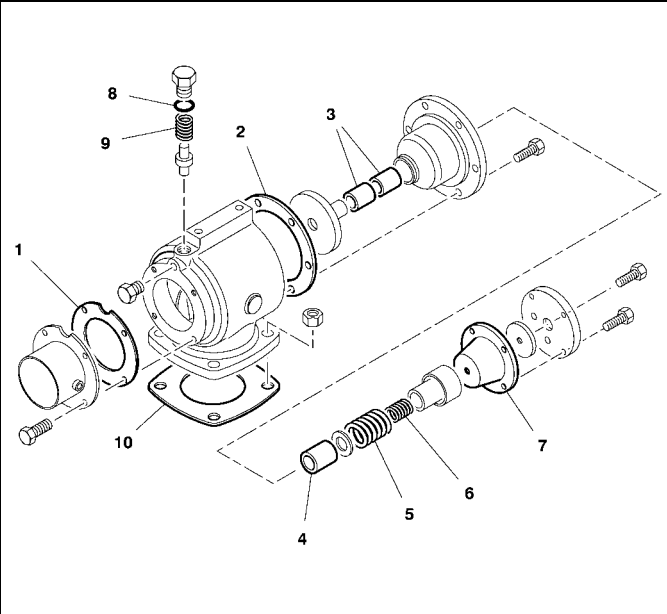
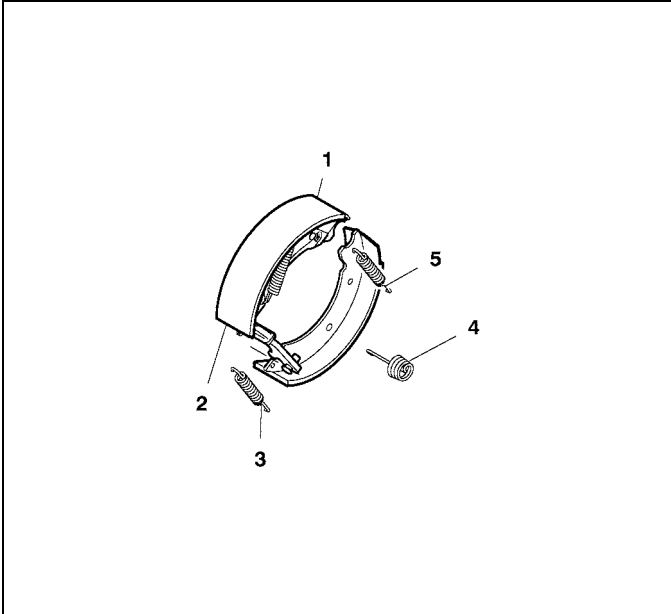
Item	ccn	Qty.	Description	Item	ccn	Qty.	Description
1	23346257	2	Tool box				
2	92184811	8	Screw				

39 RECOMMENDED PARTS

ccn	Qty.	Description	ccn	Qty.	Description
					
1-4	80029978	1 KIT - 500 HOUR	1-8	80029986	1 KIT - 1000 HOUR
1	22226351	1 Element, oil filter (engine)	1	22226351	1 Element, oil filter (engine)
2	85052751	1 Element, oil filter (airend)	2	85052751	1 Element, oil filter (airend)
3	16539462	1 Element, fuel filter	3	16539462	1 Element, fuel filter
4	54468178	1 Element, fuel filter water separator	4	89232474	1 Element, air filter, Engine
			5	54626452	1 Element, air filter, Compressor
			6	54751532	1 Element, air filter (safety)
			7	54468178	1 Element, fuel filter water separator
			8	54625942	1 Element, oil separator

ccn	Qty.	Description	ccn	Qty.	Description
					
1	89311716	20L Protec engine oil	3	22252076	5gls XHP 605 compressor oil
	89292973	20L Protec compressor oil	4	22252050	55gls XHP 605 compressor oil
	85434298	20L XHP 405 compressor oil			
2	89311724	208L Protec engine oil			
	89292981	208L Protec compressor oil			
	85434645	208L XHP 405 compressor oil			

41 RECOMMENDED PARTS

ccn	Qty.	Description	ccn	Qty.	Description		
							
1-10	46517850	1	UL Overhaul Kit	1-5	46517868	1	Brake Pad Kit
1	35588318	1	Gasket	1	22241012	2	Shoe (rear)
2	35588300	1	Gasket	2	22241111	2	Shoe (front)
3	35318005	2	Bush	3	22241582	2	Spring (lower)
4	35318013	1	Bush	4	22241186	2	Spring
5	35322767	1	Spring	5	22241202	2	Spring (upper)
6	92829233	1	Spring				
7	35317197	1	Diaphragm				
8	35278589	1	'O' Ring				
9	35318914	1	Spring				
10	36889202	1	Gasket				

Language	Translation	Language	Translation	Language	Translation
GB	* Not illustrated	GB	Bolt	GB	Connector
FR	* Non illustré	FR	Boulon	FR	Connecteur
PT	* Não ilustrado	PT	Parafuso	PT	Ligador
IT	* Non illustrato	IT	Bullone	IT	Connettore
ES	* No dibujado	ES	Tornillo	ES	Conector
NL	* Niet geïllustreerd	NL	Bout	NL	Koppelstuk
DE	* Nicht abgebildet	DE	Bolzen	DE	Doppelnippel
DK	* Ikke illustreret	DK	Bolt	DK	Forbindelsesnippel
SE	* Ej visat	SE	Bult	SE	Anslutning
NO	* Ikke illustrert	NO	Bolt	NO	Ansats
FI	* Ei kuvaa	FI	Pultti	FI	liitin
GB	† Option	GB	Bowl	GB	Cover
FR	† Option	FR	Cuvette	FR	Couvercle
PT	† Opções	PT	Copo.	PT	Cobertura
IT	† Opzionale	IT	Bacinella.	IT	Coperchio
ES	† Opcion	ES	Cubeta	ES	Cubierta
NL	† Extra	NL	Kom	NL	Deksel
DE	† Sonder ausstattung	DE	Schale	DE	Abdeckung
DK	† Tilbehør	DK	Skål	DK	Dæksel
SE	† Tillval	SE	Skål	SE	Lock
NO	† Ekstraustyr	NO	Skål.	NO	Deksel
FI	† Lisävaruste	FI	Malja	FI	Kansi
GB	Adaptor	GB	Brown	GB	Diode
FR	Adapteur	FR	Marron	FR	Diode
PT	Adaptador	PT	Castanho	PT	Diodo
IT	Adattatore	IT	Marrone	IT	Diodo
ES	Adaptador	ES	Marrón	ES	Diodo
NL	Adapter	NL	Bruin	NL	Diode
DE	Anschlußnippel	DE	braun	DE	Diode
DK	Adapter	DK	Brun	DK	Diode
SE	Anslutning	SE	Brun	SE	Diod
NO	Overgang	NO	Brun	NO	Diode
FI	Liitin	FI	Ruskea	FI	Diodi
GB	Baffle	GB	Bush, reducing	GB	Decal
FR	Défecteur	FR	Reduction	FR	Décalque
PT	Deflector	PT	Casquilho reductor	PT	Autocolante
IT	Deflettore	IT	Bussola di riduzione	IT	Targhetta
ES	Deflector	ES	Reducción	ES	Etiqueta
NL	Smoren	NL	Verloopbus	NL	Sticker
DE	Schallwand	DE	Reduzierhülse	DE	Aufkleber
DK	Lyddæmpende skærm	DK	Reduktionsbøsning	DK	Decal
SE	Skärm	SE	Förminsknings bussning	SE	Dekal
NO	Avbøyer	NO	Reduksjonsnippel	NO	Merke
FI	Laippa	FI	Holkki, supistus-	FI	Sirtokuva
GB	Black	GB	Cable, earth	GB	Earth spike
FR	Noir	FR	Cable de terre	FR	Fiche de mise à la terre
PT	Preto	PT	Cabo de terra	PT	Espigão de terra
IT	Nero	IT	Conduttore di terra	IT	Perno di massa
ES	Negro	ES	Cable tierra	ES	Clavija de puesta a tierra
NL	Zwart	NL	Aardingskabel	NL	Aardingsstaaf
DE	schwarz	DE	Erdungskabel	DE	Erdungsspieß
DK	Sort	DK	Jordkabel	DK	Jordspyd
SE	Svart	SE	Jordkabel	SE	Jordledartapp
NO	Svart	NO	Jordkabel	NO	Jordingspiss
FI	Musta	FI	Kaapeli, maatto-	FI	Maadoituspiikki
GB	Blue	GB	Capscrew	GB	Elbow
FR	Bleu	FR	Boulon à tête	FR	Coude
PT	Azul	PT	Parafuso de cabeça	PT	Joelho
IT	Blu	IT	Vite senza dado	IT	Gomito
ES	Azul	ES	Tornillo de sombrero	ES	Codo
NL	Blauw	NL	Dopschroef	NL	Bochtstuk
DE	blau	DE	Kopfschraube	DE	Krümmer
DK	Blå	DK	Cylinderskrue	DK	Vinkel
SE	Blå	SE	Skallskruv	SE	Rörkrök
NO	Blå	NO	Hodeskrue	NO	Albue
FI	Sininen	FI	Kantaruuvi	FI	Mutka
				GB	Filter,oil
				FR	Filtre, huile
				PT	Filtro de óleo
				IT	Filtro olio
				ES	Filtro de aceite
				NL	Oliefilter
				DE	Ölfilter
				DK	Filter, olie
				SE	Oljefilter
				NO	Oljefilter
				FI	Suodatin, öljyn-

Language	Translation	Language	Translation	Language	Translation
GB	Fitting, barbed	GB	KEY	GB	Lockwasher
FR	Garniture, cannelée/barbelée	FR	LEXIQUE	FR	Rondelle d'arrêt
PT	Racorde	PT	LEGENDA	PT	Anilha de aperto
IT	Accessori di linea	IT	LEGENDA	IT	Rosetta di sicurezza
ES	Accesorio roscado	ES	CLAVE	ES	Arandela de presión
NL	Fitting, geborgd	NL	LEGENDA	NL	Borgring
DE	Anschlußstück, mit Widerhaken	DE	SCHLÜSSEL	DE	Sicherungsscheibe
DK	Monterings spyd	DK	NØGLE	DK	Låseskive
SE	Råfflad pinne	SE	BENÄMNING	SE	Låsbricka
NO	Nippel	NO	TEGNFORKLARING	NO	Låseskive
FI	Liitin, väkäs-	FI	SELITYKSET	FI	Lukkoaluslevy
GB	Fuse	GB	Key	GB	Manual, Operation and Maintenance, with parts catalogue
FR	Fusible	FR	Clavette	FR	Manuel d'utilisation et de pièces détachées d'entretien, avec catalogue
PT	Fusível	PT	Chaveta	PT	Manual de operação e manutenção, com lista de peças
IT	Fusibili	IT	Chiavetta	IT	Libro d'uso e manutenzione, con lista ricambi
ES	Fusible	ES	Chavetero	ES	Manual de manejo y mantenimiento, con lista de repuestos
NL	Zekering	NL	Spie	NL	Bedienings- en onderhoudshandboek, onderdelenkatalogus
DE	Sicherung	DE	Keil	DE	Betriebs- und Wartungshandbuch mit Ersatzteilliste
DK	Sikring	DK	Kile	DK	Drifts- og vedligeholdelsesmanual, med reservedelsliste
SE	Säkring	SE	Kil	SE	Drifts- och underhållsinstruktion med reservdelslista
NO	Sikring	NO	Kile	NO	Instruksjonsbok, med delekatalog
FI	Varoke	FI	Avain	FI	Ohjekirja, käyttö ja huolto sekä varaosaluettelo
GB	Green	GB	Kit, earth spike	GB	Manual, Operation and Maintenance
FR	Vert	FR	Kit de fiche de mise à la terre	FR	Manuel d'utilisation et d'entretien
PT	Verde	PT	Kit de ligação do espigão de terra	PT	Manual de operação e manutenção
IT	Verde	IT	Kit, perno di massa	IT	Libro d'uso e manutenzione
ES	Verde	ES	Juego de clavija de puesta a tierra	ES	Manual de manejo y mantenimiento
NL	Groen	NL	Pakket, aardingsstaaf	NL	Bedienings- en onderhoudshandboek
DE	grün	DE	Bausatz, Erdungsspieß	DE	Betriebsanleitung und Ersatzteilliste
DK	Grøn	DK	Jordspysæt	DK	Drifts- og vedligeholdelsesmanual
SE	Grön	SE	Jordledningssats	SE	Drifts- och underhållsinstruktion
NO	Grønn	NO	Jordingsspiss-sett	NO	Instruksjonsbok
FI	Vihreä	FI	Maadoituspiikkisarja	FI	Ohjekirja, käyttö ja huolto
GB	Harness	GB	KIT - INTERNAL DECALS	GB	Manual, Operation and Maintenance
FR	Harnais	FR	KIT - DÉCALCOMANIES	FR	Manuel d'utilisation et d'entretien
PT	Cablagem	PT	INTERNES	PT	Manual de operação e manutenção
IT	Cablaggio	PT	KIT - AUTOCOLANTES	IT	Libro d'uso e manutenzione
ES	Mazo de cables	PT	INTERIORES	ES	Manual de manejo y mantenimiento
NL	Kabelboom	IT	KIT - SERIE DI TARGHETTE	NL	Bedienings- en onderhoudshandboek
DE	Kabelbaum	IT	INTERNE	DE	Betriebsanleitung und Ersatzteilliste
DK	Ledningsnet	ES	KIT - CALCOMANÍAS	DK	Drifts- og vedligeholdelsesmanual
SE	Kabelhärva	NL	KIT - STICKERS	SE	Drifts- och underhållsinstruktion
NO	Ledningsnett	DE	BINNENKANT	NO	Instruksjonsbok
FI	Johdinsarja	DK	SATZ INNERE AUFKLEBER	FI	Ohjekirja, käyttö ja huolto
GB	Harness, instrument panel	DK	MONTERINGSSÆT -		
FR	Harnais, tableau d'instruments	SE	INDVENDIGE DECALER		
PT	Cablagem, painel de instrumentos	NO	SATS INVÄNDIGA		
IT	Cablaggio quadro strumenti	FI	DEKALER		
ES	Cableado, panel de instrumentos		SETT - MERKER		
NL	Kabelboom, controlepaneel		INNVEDIGE		
DE	Kabelbaum - Armaturen Brett		SARJA - SISÄISET TARRAT		
DK	Instrumentbræts ledningsnet	GB	Locknut		
SE	Kabelhärva, instrumentpanel	FR	Ecrou		
NO	Ledningsnett, instrumentbord	PT	Porca de freio		
FI	Johdinsar, jamittaristo	IT	Controdado		
GB	Jockey Wheel Assembly	ES	Tuerca de seguridad		
FR	Ensemble du rouleau de tension.	NL	Borgmoer		
PT	Conjunto de polia tensora.	DE	Sicherungsmutter		
IT	Gruppo ruotino di sostegno.	DK	Låsemøtrik		
ES	Conjunto de polea tensora	SE	Låsmutter		
NL	Tussenwiel samenstel.	NO	Låsemutter		
DE	Stützrad-Bausatz	FI	Lukkomutteri		
DK	Styrrulleenhed				
SE	Spännrulle komplett				
NO	Støttehjul.				
FI	Välipyöräkokonaisuus.				

Language	Translation	Language	Translation	Language	Translation
GB	Manual, Parts catalogue	GB	Plug	GB	Setscrew
FR	Catalogue de pièces détachées	FR	Bouchon	FR	Vis
PT	Lista de peças	PT	Tomada	PT	Parafusos
IT	Lista ricambi	IT	Tappo	IT	Vite
ES	Lista de repuestos	ES	Tapón	ES	Tornillo
NL	Onderdelenkatalogus	NL	Plug	NL	Instelschroef
DE	Teile- Liste	DE	Stecker	DE	Stellschraube
DK	Reservedelsliste	DK	Prop	DK	Sætskrue
SE	Reservdelslista	SE	Plugg	SE	Ställskruv
NO	Delekatalog	NO	Plugg	NO	Pinneskrue
FI	Ohjekirja, varaosaluettelo	FI	Pistoke	FI	Asetusruuvi
GB	Nut	GB	Red	GB	Sleeve
FR	Ecrou	FR	Rouge	FR	Bague
PT	Porca	PT	Vermelho	PT	Manga
IT	Dado	IT	Rosso	IT	Manicotto
ES	Tuerca	ES	Rojó	ES	Casquillo
NL	Moer	NL	Rood	NL	Bus
DE	Mutter	DE	rot	DE	Hülse
DK	Møtrik	DK	Rød	DK	Muffe
SE	Mutter	SE	Röd	SE	Hylsa
NO	Mutter	NO	Rød	NO	Hylse
FI	Mutteri	FI	Punainen	FI	Muhvi
GB	'O' Ring	GB	Relay	GB	Strap
FR	Joint torique	FR	Relais	FR	Courroie
PT	'O' ring	PT	Relé	PT	Fita
IT	Tenuta	IT	Relé	IT	Cinghia
ES	Junta tórica	ES	Relé	ES	Correa
NL	'O'Ring	NL	Relais	NL	Riem
DE	O-Ring	DE	Relais	DE	Riemen
DK	O-Ring	DK	Relæ	DK	Strop
SE	O-Ring	SE	Relä	SE	Rem
NO	O-Ring	NO	Rele	NO	Stropp
FI	O-rengas	FI	Rele	FI	Hihna
GB	Panel	GB	Rivet	GB	Tee
FR	Panneau	FR	Rivet	FR	Té
PT	Painel	PT	Rebite	PT	Tê
IT	Pannello	IT	Rivetto	IT	Raccordo a T
ES	Panel	ES	Remache	ES	Te
NL	Paneel	NL	Klinknagel	NL	T-stuk
DE	Verkleidung	DE	Niet	DE	T-Stück
DK	Panel	DK	Nitte	DK	Tee
SE	Panel	SE	Nit	SE	T-rör
NO	Panel	NO	Nagle	NO	T-stykke
FI	Painetyyny	FI	Niitti	FI	T-kappale
GB	Purple	GB	Running gear assembly	GB	Stud
FR	Pourpre	FR	Remorque complet	FR	Vis de tour
PT	Purpura	PT	Conjunto rodado	PT	Perno
IT	Viola	IT	Gruppo traino	IT	Perno
ES	Purpura	ES	Conjunto tren rodaje	ES	Esparrago
NL	Paars	NL	Onderstel samenstelling	NL	Tapeind
DE	purpurrot	DE	Fahrwerkbausatz	DE	Bolzen
DK	Lilla	DK	Aggregat, understel	DK	Tap
SE	Rödviolett	SE	Komplett hjulunderrede	SE	Sprint
NO	Purpur	NO	Understell, komplett	NO	Skive
FI	Sinipunainen	FI	Kuljetuspyörästöasennelma	FI	Vaarna
GB	Part of kit	GB	Screw	GB	Switch, oil pressure
FR	Pièce du jeu	FR	Vis	FR	Interrupteur, pression d'huile
PT	Parte do kit	PT	Parafuso	PT	Interruptor da pressão do óleo
IT	Parte del corredo	IT	Vite	IT	Interruttore, pressione olio
ES	Parte del kit	ES	Tornillo	ES	Interruptor, presión del aceite
NL	Deel van set	NL	Schroef	NL	Schakelaar, olie druk
DE	Teils des Kit	DE	Schraube	DE	Schalter, Öldruck
DK	Del af sæt	DK	Skruer	DK	Kontakt, olietryk
SE	Del av sats	SE	Skruv	SE	Oljetrycksbrytare
NO	Del av sett	NO	Skruer	NO	Oljetrykksbryter
FI	osa sarjaa	FI	Ruuvi	FI	Kytkin, öljynpaine

Language	Translation	Language	Translation	Language	Translation
GB	Switch, temperature	GB	Washer, sealing	GB	Wheel & tyre assembly
FR	Sécurité température	FR	Rondelle, étanchéité	FR	Ensemble de roue/pneu
PT	Interruptor temperatura	PT	Anilha de vedação	PT	Conjunto rodado e pneu
IT	Interruttore, temperatura	IT	Rondella di tenuta	IT	Gruppo ruote e pneumatici
ES	Interruptor de temperatura	ES	Arandela de sellado	ES	Conjunto rueda
NL	Temperatuurschakelaar	NL	Afdichtingring	NL	Wiel en band samenbouw
DE	Schalter, Temperatur	DE	Dichtungsscheibe	DE	Rad- und Reifen-Bausatz
DK	Termostat	DK	Tætningsskive	DK	Aggregat, hjul & dæk
SE	Temperaturvakt	SE	Tätningbricka	SE	Komplett hjul
NO	Temperatur vakt	NO	Tetningsskive	NO	Hjul, komplett
FI	Kytkin, lämpötila	FI	Aluslevy, tiiviste-	FI	Pyörä & rengasasennelma
GB	Washer	GB	White	GB	Yellow
FR	Rondelle	FR	Blanc	FR	Jaune
PT	Anilha	PT	Branco	PT	Amarelo
IT	Rondella	IT	Bianco	IT	Giallo
ES	Arandela	ES	Blanco	ES	Amarillo
NL	Ring	NL	Wit	NL	Geel
DE	Unterlegscheibe	DE	weiß	DE	gelb
DK	Skive	DK	Hvid	DK	Gul
SE	Bricka	SE	Vit	SE	Gul
NO	Skive	NO	Hvit	NO	Gul
FI	Aluslevy	FI	Valkoinen	FI	Keltainen

Code	Description	CCN	Code	Description	CCN	Code	Description	CCN
AN	Bolt M10 x 80	35295021	MD	Rivet 3 x 10mm	92368075	TI	Screw M16 x 50	92398239
AV	Bolt M12 x 65	92148014	NU	Screw M6 x 15	92441450	UD	Screw No.6 x 5/8"	92879337
BH	Bolt	92546613	OA	Screw M6 x 12	92368687	UE	Screw M12 x 40	92304443
CB	Bolt 5/8" UNC x 1"	95664314	OB	Screw M6 x 20	35300771	UL	Screw M4 X 20	92659432
DL	Screw M10 x 16	35321595	OD	Screw M8 x 12	95279025	VE	Washer 1/2"	95081667
EV	Capscrew, socket head M16 x 30	92750454	OF	Screw M10 x 20	92472638	VR	Washer M10	92329283
GQ	Locknut M16	92311695	OG	Screw M10 x 25	92473586	VT	Washer M12	92061506
HA	Lockwasher 1/2"	95081824	OI	Screw M12 x 20	92176114	VU	Washer M12	92304625
HO	Lockwasher M12	92304682	OM	Screw M6 x 12	92184811	WC	Washer M4	92340439
HX	Lockwasher M4	92340447	ON	Screw M6 x 16	92096015	WD	Washer M5	92304583
HZ	Lockwasher M5	92304641	OP	Screw M6 x 25	92179043	WF	Washer M6	92304591
ID	Lockwasher M8	92304666	OQ	Screw M8 x 20	92398130	WG	Washer M6	92341981
II	Lockwasher M10	92304674	OR	Screw M8 x 25	92101112	WX	Washer	35294339
IU	Screw M8 x 30	92708999	QX	Setscrew M10 x 20	92304393	XR	Washer M16	92757632
JR	Nut M12	90103854	QZ	Setscrew M10 x 25	92304401	YE	Washer M16	93502300
JU	Nut M16	90103839	RE	Setscrew M12 x 25	92304435	YM	Washer M16	93545580
JZ	Nut M4	92340454	RL	Setscrew M12 x 80	92045913	ZU	Stud M16 x 55	92040294
KB	Nut M6	92304500	SI	Setscrew M6 x 30	92178896	A7	Screw M4 x 20	92879287
KR	Locknut M10	92304567	SL	Setscrew M8 x 16	92304336	D3	Setscrew	92972140
KS	Locknut M12	92304575	SN	Setscrew M8 x 25	90141078	N4	Nut M16	92975689
LF	Nut M6	92398106	SO	Setscrew M8 x 30	92304351	N7	Nut	95076774
LG	Nut M8	92398114	SQ	Setscrew M8 x 40	92304377	Z3	Washer	92058429
LO	Nut 1/2" UNC	95077798	SY	Setscrew M5 x 20	92340058	1AP	Bolt	36786382
MC	Rivet 3/16" x 1/2"	92271915	SW	Screw M4 x 16	92050376	1AQ	Screw	92391830

Code	Description	CCN	Code	Description	CCN	Code	Description	CCN
E8	Bolt	88081203	V5	Bolt	88081476	1AB	Nut	88081021
E9	Washer	88082466	V6	Bolt	88080098	1AC	Bolt	88080304
F2	Bolt M6 X 20 Flange	49840663	V7	Bolt	88080122	1AD	Bolt	88080288
H7	Bolt M8 X 20 FLANGE	88080049	V8	Bolt	88081344	1AE	Nut	54519087
K4	Bolt M6 X 12 FLANGE	88080023	W2	Stud	88081153	1AF	Nut	88080346
K5	Bolt M8 X 30 FLANGE	88080064	W3	Stud	88082276	1AG	Nut	88082375
L8	Nut	88080312	W4	Stud	88080858	1AH	Nut	54519038
M3	Nut M8	88082383	W9	Stud	49840622	1AJ	Stud	49849581
M5	Nut	88080320	V9	Bolt	88082615	1AK	Stud	49840226
M8	Nut	88082367	X2	Bolt	88080460	1AL	Stud	49840218
N6	Nut	88080999	X3	Bolt	88080148	1AM	Stud	49840200
N8	Nut	88082409	X4	Bolt	88080155	1AN	Stud	49840135
N9	Nut	88080460	X5	Bolt	88080197	1BA	Bolt	88080130
O2	Bolt	88080718	X6	Bolt	88080429	1BB	Bolt	54488283
O3	Bolt	88080437	X7	Bolt	88080908	1BC	Bolt	54488291
O4	Bolt	88080452	X8	Bolt	88081377	1BD	Bolt	54519004
O7	Bolt	88080213	X9	Bolt	88081351	1BE	Bolt M8 X 1.25	49840382
O8	Bolt	88080205	YN	Nut	49840234	1BF	Bolt	88082219
O9	Bolt	88080254	YQ	Nut	88082367	1BG	Bolt	88080296
P6	Washer	88082433	YR	Bolt	88082250	1BH	Bolt	88080528
P8	Washer	88082441	YS	Stud	88082268	1BJ	Bolt	88080221
P9	Washer	88080619	YT	Bolt	88080338	1BK	Bolt	88080171
Q5	Screw	49808389	YV	Screw	88082243	1BL	Bolt	49840671
Q6	Screw	49807902	YY	Washer	88082508	1BM	Bolt	49840580
S6	Bolt	88082672	YW	Nut	88081054	1BN	Bolt	88080221
U4	Bolt	88080262	YX	Washer	92304633	1BO	Bolt	49840465
U5	Bolt	88080270	YZ	Bolt	88081989	1BQ	Bolt	49840176
U6	Bolt	88080072	XE	Washer	95094298	1BR	Bolt	88080163
U7	Bolt	88082730	Z2	Washer	88082482	1BS	Bolt	88080189
U8	Bolt M8 - 1.25 X 20 FLANGE	88080106	Z4	Washer	88082433	1BT	Bolt	88080239
V2	Bolt	88081393	Z7	Washer	88080478	1BU	Stud	88082292
V4	Bolt	88080080	Z8	Washer	88082474	1BV	Nut	88082417
			Z9	Washer	88082490	1CA	Washer	88082441
			ZW	Stud	88082623	1CB	Washer	49840267
			ZX	Bolt	88080114	1CC	Washer	88082458
			ZY	Bolt	88080056	1CY	Bolt	88080049
			ZZ	Bolt	88080247	1DQ	Screw	54734611
			1AA	Bolt	88080031			

Tube Fittings Index

CCN

AI	Adaptor	92788959
BA	Adaptor	92087840
BU	Adaptor	92104132
BV	Adaptor	92905207
CJ	Adaptor	93191849
CT	Adaptor	88144266
CU	Adaptor	93481554
DI	Connector	92005701
EQ	Connector	95938148
ER	Connector	92079326
FX	Connector	96739693
FY	Connector	54629340
FN	Connector	35279785
FR	Connector	89253991

Tube Fittings Index

CCN

FS	Connector	89299564
FT	Connector	92118785
FU	Connector	95644001
FZ	Connector	89281760
GB	Elbow	92395508
GM	Elbow	92087832
HB	Elbow	92123207
HM	Elbow	92725837
HP	Elbow	92789296
HY	Elbow	35294750
IO	Elbow	92914506
IV	Elbow	92799436
JV	Tee	93164788
LA	Elbow	92799444

Tube Fittings Index

CCN

LW	Elbow	92899426
MS	'O' Ring	92338946
MT	'O' Ring	92293661
OD	Plug	92354661
SC	Fitting, barbed	35316587
TC	Bush, Reducing	92252725
VL	Washer, sealing	92111418
WP	Elbow	54485222
WS	Elbow	54403191
WT	Elbow	35301506
WU	Elbow	35291384
WV	Elbow	35279777
WY	Elbow	89257497
YK	Connector	92176916

49 CCN INDEX

CCN & PAGE	CCN & PAGE	CCN & PAGE	CCN & PAGE	CCN & PAGE	CCN & PAGE
15894678, 13	15899438, 8	22051882, 1	22241194, 1	23216435, 22	23286370, 12
15894686, 13	16538936, 5	22052161, 1, 2	22241202, 1, 2, 41	23217185, 30	23286388, 12
15894694, 13	16538951, 9	22062335, 32	22241210, 1, 2	23217771, 26	23286396, 12
15894777, 9	16538977, 9	22066823, 2	22241228, 1, 2	23226970, 24	23286511, 13
15894793, 14	16538985, 9	22066914, 2	22241301, 1, 2	23228406, 19	23286560, 30
15894819, 15	16539033, 8	22104806, 1, 2	22241319, 1, 2	23261290, 30	23286610, 16, 30
15894827, 15	16539041, 10	22125173, 2	22241327, 1, 2	23285679, 4	23300460, 32
15894835, 15	16539066, 9	22125181, 1	22241335, 1, 2	23285711, 4	23307598, 26
15894843, 15	16539074, 9	22125579, 1, 2	22241343, 2	23285737, 4	23307630, 19
15895105, 12	16539082, 9	22125587, 1, 2	22241350, 2	23285752, 5	23316003, 26
15895741, 6	16539090, 11	22125595, 1, 2	22241368, 1	23285760, 5	23316979, 26
15896095, 5	16539108, 7	22126395, 2	22241376, 1	23285778, 5	23328040, 19
15896178, 7	16539116, 10	22126437, 1, 2	22241384, 1, 2	23285786, 5	23329782, 19
15896202, 7	16539132, 9	22163760, 27	22241392, 1, 2	23285794, 5	23329808, 19
15896236, 8	16539157, 8	22167084, 27	22241400, 1, 2	23285901, 7	23330392, 20
15896590, 11	16539165, 9	22173181, 22	22241418, 2	23285927, 7	23341092, 29
15896608, 11	16539173, 8	22173231, 21	22241426, 1, 2	23285935, 7	23343080, 28, 29
15896616, 11	16539306, 8	22176655, 29	22241434, 2	23285943, 7	23343155, 20
15896640, 11	16539322, 8	22177273, 24	22241442, 1, 2	23285950, 7	23343601, 19, 30
15896673, 11	16539363, 9	22180384, 26	22241459, 1	23285968, 7	23344104, 32
15896681, 11	16539371, 9	22180558, 27	22241467, 1, 2	23285976, 7	23344179, 32
15896699, 11	16539397, 10	22182802, 1, 2	22241475, 1, 2	23285984, 7	23344187, 32
15896715, 11	16539405, 9	22184477, 29	22241483, 1, 2	23285992, 7	23344195, 32
15896749, 11	16539462, 13, 39	22185185, 20	22241491, 1, 2	23286008, 7	23344252, 32
15896756, 5	16539496, 8	22197701, 3	22241509, 1, 2	23286016, 7	23344260, 32
15896764, 12	16539512, 12	22208078, 23	22241517, 1, 2	23286032, 7	23344278, 32
15897069, 8	16539553, 10	22212013, 1, 2	22241525, 1	23286040, 7	23344294, 32
15898018, 15	16539603, 9, 10	22217640, 20	22241533, 2	23286057, 8	23346257, 38
15898059, 12	16539611, 7	22223648, 36	22241541, 2	23286073, 8	23350283, 37
15898109, 12	16539637, 9	22224000, 36	22241558, 1	23286081, 8	23350333, 37
15898117, 9	16539645, 11	22224422, 36	22241566, 1, 2	23286107, 8	23350507, 34
15898182, 5, 6	16539686, 11	22226351, 9, 39	22241582, 1, 2, 41	23286123, 8	23353873, 34
15898216, 5	18034124, 1, 2	22226385, 13, 27	22252050, 40	23286131, 8	23353881, 34
15898240, 12	22051114, 1, 2	22230775, 26	22252076, 40	23286149, 8	23359441, 31
15898273, 13	22051122, 1, 2	22230783, 26	22255566, 14	23286156, 8	23360993, 29
15898349, 13	22051205, 1, 2	22241012, 1, 2, 41	22255574, 15	23286164, 8	23361439, 32
15898836, 9	22051411, 1, 2	22241020, 1, 2	22259956, 35	23286172, 8	23362841, 30
15898851, 10	22051494, 1, 2	22241038, 2	22272611, 21	23286180, 8	35119718, 26
15898919, 5	22051510, 1, 2	22241046, 2	22314348, 17	23286198, 8	35132877, 24
15898927, 12	22051544, 1, 2	22241053, 2	22317697, 17	23286206, 8	35255553, 29
15898968, 5	22051551, 1, 2	22241061, 2	22401855, 34	23286214, 8	35271170, 23
15898984, 5, 6	22051569, 1	22241079, 2	22454417, 25	23286222, 9	35278555, 18
15899024, 10	22051577, 1, 2	22241087, 2	22454425, 25	23286230, 9	35278589, 18, 41
15899032, 7, 12	22051585, 1, 2	22241095, 2	22645808, 1	23286271, 11	35279942, 25
15899040, 4, 10, 12	22051692, 2	22241103, 1, 2	22645824, 1	23286289, 11	35282292, 18
15899099, 13	22051700, 2	22241111, 1, 2, 41	22689400, 20	23286297, 11	35283472, 28
15899107, 8	22051718, 2	22241129, 1	22716344, 19	23286305, 11	35288448, 24
15899115, 7	22051742, 1, 2	22241137, 1	22817365, 27	23286313, 11	35294628, 25
15899123, 7, 8	22051833, 1	22241145, 1, 2	22887780, 32	23286321, 12	
15899149, 8, 11	22051841, 1	22241152, 2	23189087, 3	23286339, 12	
15899156, 7	22051858, 1	22241160, 1, 2	23212863, 19	23286347, 12	
15899198, 8	22051866, 1	22241178, 2	23215171, 26	23286354, 12	
15899206, 15	22051874, 1, 2	22241186, 1, 2, 41	23215767, 23	23286362, 12	

CCN & PAGE	CCN & PAGE	CCN & PAGE	CCN & PAGE	CCN & PAGE	CCN & PAGE
35295773, 37	54372859, 26	54629787, 19	89232474, 22, 39	92472638, 35	92919398, 35
35295781, 22	54390943, 17	54640453, 22	89259485, 25	92472935, 3	92919554, 35
35307206, 24	54390950, 17	54652839, 20	89284558, 29	92473594, 35	92919810, 35
35314939, 21, 22, 37	54403191, 35	54652847, 20	89284871, 25	92479757, 19	92930585, 33
35317197, 18, 41	54403209, 35	54652862, 19	89292973, 40	92490358, 24, 28, 35	92930593, 33
35317205, 18	54403266, 28	54652870, 19	89292981, 40	92497700, 18	92930601, 33
35317213, 18	54403274, 28	54660287, 23	89298491, 33	92549195, 28	92930650, 33
35317239, 18	54414420, 24	54660303, 23	89303853, 37	92549369, 28	92930668, 33
35318005, 18, 41	54425335, 18	54660584, 32	89308191, 25	92659713, 29	92961077, 25
35318013, 18, 41	54436845, 18	54660592, 32	89311716, 40	92659747, 29	92961846, 31
35318914, 18, 41	54443213, 20	54660790, 32	89311724, 40	92690890, 34	92969914, 29
35320688, 34	54468160, 27	54666326, 26	90141078, 3	92699412, 34	92972140, 19, 22, 30
35321421, 17	54468178, 39	54685292, 36	91112185, 36	92699420, 34	92976042, 33
35322767, 18, 41	54471057, 17	54687801, 19	92005701, 35	92699438, 34	93151959, 18
35323864, 24	54471677, 17	54715824, 23	92035187, 19	92721331, 19	93163897, 35
35355106, 28	54480504, 27	54726922, 23	92042241, 29	92762756, 25	93165959, 33
35359090, 28	54480512, 27	54739701, 25	92043017, 35	92776749, 29	93171239, 33
35376342, 29	54501648, 19	54739719, 27	92058429, 3	92783281, 19, 20	93171247, 33
35379940, 24	54509682, 26	54748363, 28	92067982, 35	92789734, 29	93171254, 33
35579630, 25	54509690, 26	54751532, 21, 39	92075530, 29	92790476, 29	93171262, 33
35584242, 24	54509856, 26	54755111, 17	92076173, 29	92793124, 28	93171270, 33
35588193, 18	54510011, 26	54758198, 20	92079755, 24	92793173, 35	93171288, 33
35588300, 18, 41	54510029, 26	54774500, 1, 2	92085729, 19	92799378, 28	93171882, 32
35588318, 18, 41	54511209, 19	54774518, 1, 2	92086719, 29	92799519, 19	93181366, 34
35591122, 18	54512793, 19	54774534, 1, 2	92094358, 20	92799527, 29	93181865, 25
35596436, 17	54525233, 25	54774542, 1, 2	92096015, 26, 27, 30	92799840, 29	93193191, 29
35833227, 18	54530191, 27	80022833, 25	92111228, 25	92803790, 31	93194413, 33
35836949, 18	54538442, 26	80029978, 39	92111335, 26-28	92803808, 31	93465383, 33
36710036, 25	54563663, 19	80029986, 39	92117696, 21	92807585, 19	93466381, 29
36769560, 26	54570338, 25	85052751, 39	92118678, 24	92816743, 20	93477388, 19
36782019, 24	54573191, 25	85433340, 27	92121243, 19	92816859, 20	93481448, 24
36788164, 24	54576624, 27	85433860, 21	92121250, 19	92816974, 19	93481455, 24
36788172, 24	54580279, 25	85433878, 21	92172600, 21	92816982, 19	93481562, 24
36796845, 23	54581152, 34	85433886, 22	92178524, 25	92822378, 19	93481570, 24
36867174, 19	54581178, 34	85433894, 22	92184811, 38	92823913, 35	93500924, 17
36875565, 3	54582325, 29	85433902, 22	92185016, 35	92829233, 18, 41	93502128, 25
36876753, 24	54588009, 25	85434298, 40	92253079, 23	92865781, 37	93531184, 29
36876761, 24	54588017, 25	85434645, 40	92253129, 26	92867415, 33	95022307, 24
36876779, 24	54589932, 36	85448173, 27	92253194, 31	92867449, 33	95371225, 36
36878361, 30	54590815, 36	88091095, 29	92280817, 31	92867530, 33	95376943, 17
36880995, 17	54603337, 34	88091889, 34	92280981, 3	92869528, 29	95930301, 28
36884948, 26	54621131, 34	88091996, 29	92290162, 25, 35	92879139, 23	95934998, 3
36889202, 18, 41	54621149, 34	88123229, 34	92294461, 25	92882000, 27	95935037, 3
36920825, 28	54624754, 21	88132352, 19	92304567, 3	92898758, 19	95953493, 22
36923571, 24	54625942, 25, 39	88132386, 19	92304674, 3, 34	92901222, 19	95999058, 28
39404165, 17	54626452, 21, 39	89203822, 19	92306901, 29	92901230, 19	96704176, 20, 26, 27, 30
46517850, 41	54626999, 27	89204721, 22	92354729, 35	92911288, 35	96704408, 23
46517868, 41	54629753, 19	89230494, 34	92398122, 20	92912351, 31	
54372842, 26	54629761, 19	89230759, 27	92465590, 34	92919380, 35	