



## PARTS MANUAL

## COMPRESSOR MODEL

### P185 WJD

CODE G



This manual contains important safety information.

Do not destroy this manual.

This manual must be available to the personnel who operate and maintain this machine.



P.O. Box 868 - 501 Sanford Ave  
Mocksville, N.C. 27028

Book 22591986 (04/05)  
**Revised (09-12)**

*Doosan purchased Bobcat Company from Ingersoll-Rand Company in 2007. Any reference to Ingersoll-Rand Company or use of trademarks, service marks, logos, or other proprietary identifying marks belonging to Ingersoll-Rand Company in this manual is historical or nominative in nature, and is not meant to suggest a current affiliation between Ingersoll-Rand Company and Doosan Company or the products of either.*



# TABLE OF CONTENTS

TITLE	PAGE
<b>Section A - COMPRESSOR PARTS</b>	
FRAME and LIFTING BAIL . . . . .	A-2
FRAME and LIFTING BAIL . . . . .	A-3
DRAWBAR . . . . .	A-4
JACK ASSEMBLY . . . . .	A-5
RUNNING GEAR COMPLETE . . . . .	A-6
RUNNING GEAR COMPLETE . . . . .	A-7
15" TIRE and WHEEL . . . . .	A-8
TAIL LIGHT and BRAKE WIRING . . . . .	A-9
ENGINE and MOUNTS . . . . .	A-10
ENGINE and MOUNTS . . . . .	A-11
ENGINE and MOUNTS . . . . .	A-12
ENGINE EXHAUST . . . . .	A-13
COOLING COMPLETE . . . . .	A-14
COOLING COMPLETE . . . . .	A-15
FAN SHROUD . . . . .	A-16
FAN SHROUD . . . . .	A-17
AIR END COMPLETE . . . . .	A-18
AIR END ASSEMBLY . . . . .	A-19
AIR END ASSEMBLY . . . . .	A-20
UNLOADER ASSEMBLY . . . . .	A-21
OIL TEMPERATURE BY-PASS VALVE . . . . .	A-22
SEPARATOR TANK COMPLETE . . . . .	A-23
AIR SERVICE COMPLETE . . . . .	A-24
FUEL TANK COMPLETE . . . . .	A-25
AIR INTAKE FILTERS and RELAYS . . . . .	A-26
AIR CLEANER ASSEMBLY . . . . .	A-27
BATTERY . . . . .	A-28
INSTRUMENT PANEL ASSEMBLY . . . . .	A-29
INSTRUMENT PANEL ASSEMBLY . . . . .	A-30
WIRING DIAGRAM . . . . .	A-31
WIRING DIAGRAM . . . . .	A-32
TAIL LIGHT WIRING DIAGRAM . . . . .	A-33
AIR and OIL PIPING . . . . .	A-34
AIR and OIL PIPING . . . . .	A-35
AIR and OIL PIPING . . . . .	A-36
AIR and OIL PIPING . . . . .	A-37
AIR and OIL PIPING OPTIONS . . . . .	A-38
ENCLOSURE COMPLETE . . . . .	A-39
ENCLOSURE COMPLETE . . . . .	A-40
ENCLOSURE COMPLETE . . . . .	A-41
FOAM INSULATION COMPLETE . . . . .	A-42
DECAL LOCATION . . . . .	A-43
DECAL LOCATION . . . . .	A-44

## TABLE OF CONTENTS

TITLE	PAGE
<b>Section B - OPTION PARTS</b>	
AXLE, ELECTRIC BRAKE . . . . .	B-2
SHOE, ELECTRIC BRAKE . . . . .	B-3
AXLE, EZ LUBE . . . . .	B-4
AXLE, HYDRAULIC BRAKE . . . . .	B-5
SHOE, HYDRAULIC BRAKE . . . . .	B-6
BRAKES, 2-LIGHT w/ ELECTRIC . . . . .	B-7
BRAKES, 2-LIGHT w/ ELECTRIC . . . . .	B-8
BRAKES, 4-LIGHT w/ ELECTRIC . . . . .	B-9
BRAKES, 4-LIGHT w/ ELECTRIC . . . . .	B-10
BRAKES, PARK w/ ELECTRIC . . . . .	B-11
BRAKES, PARK w/ ELECTRIC . . . . .	B-12
BRAKES, ADJ. HT. DRAWBAR w/ HYDRAULIC . . . . .	B-13
BRAKES, ADJ. HT. DRAWBAR w/ HYDRAULIC . . . . .	B-14
BRAKES, EXTENDED DRAWBAR w/ HYDRAULIC . . . . .	B-15
BRAKES, EXTENDED DRAWBAR w/ HYDRAULIC . . . . .	B-16
BRAKES, HYDRAULIC . . . . .	B-17
BRAKES, HYDRAULIC . . . . .	B-18
BRAKES, PARK W/ HYDRAULIC . . . . .	B-19
BRAKES, PARK W/ HYDRAULIC . . . . .	B-20
DRAINS, CENTRAL . . . . .	B-21
DRAINS, CENTRAL . . . . .	B-22
DRAIN, FUEL TANK . . . . .	B-23
DRAWBAR, ADJUSTABLE HEIGHT . . . . .	B-24
DRAWBAR, EXTENDED . . . . .	B-25
DRAWBAR, EXTENDED / ADJUSTABLE HEIGHT . . . . .	B-26
GAUGE, 4-in-1 . . . . .	B-27
GAUGE, FUEL LEVEL . . . . .	B-28
GAUGE, TACHOMETER . . . . .	B-29
HEATER, BLOCK . . . . .	B-30
INDICATOR, SEPARATOR DELTA P . . . . .	B-31
DROPLEG, BUMPER w/ REAR . . . . .	B-32
LIGHT, REVOLVING AMBER . . . . .	B-33
OILER, 1 QUART HOSE REEL . . . . .	B-34
OILER, 2 QUART HOSE REEL . . . . .	B-35
PANEL, FULL DIAGNOSTICS INSTRUMENT w/ ELECTRIC AFRI . . . . .	B-36
PANEL, FULL GAUGE INSTRUMENT wo/ START-RUN VALVE . . . . .	B-37
PANEL, FULL GAUGE INSTRUMENT wo/ START-RUN VALVE . . . . .	B-38
LAMP, PANEL ILLUMINATION . . . . .	B-39
REEL ASM., HOSE . . . . .	B-40
REEL, SINGLE HOSE . . . . .	B-41
REEL, SINGLE HOSE . . . . .	B-42
REEL, DOUBLE HOSE . . . . .	B-43
REEL, DOUBLE HOSE . . . . .	B-44
SCHEMATIC, 4 LIGHT WIRING . . . . .	B-45
SCHEMATIC, OPTION WIRING . . . . .	B-46
VALVE, ELECTRIC START-RUN . . . . .	B-47
VALVE, MINIMUM PRESSURE . . . . .	B-48
MISCELLANEOUS OPTIONS . . . . .	B-49

---

## **Section - Parts Ordering**



## **GENERAL**

This publication, which contains an illustrated parts breakdown, has been prepared as an aid in locating those parts which may be required in the maintenance of the unit. Always insist on genuine Ingersoll-Rand Company parts for your compressor.

**Ingersoll-Rand Company can bear no responsibility for injury or damages resulting directly from the use of non-approved repair parts.**

Ingersoll-Rand Company service facilities and parts are available worldwide. Consult local yellow pages or visit: [www.portablepower.irco.com](http://www.portablepower.irco.com).

Special order parts may not be included in this manual. Contact the Mocksville Parts Department with the unit serial number for assistance with these special parts.

### **Description**

The illustrated parts breakdown illustrates and lists the various assemblies, subassemblies and detailed parts which make up this particular machine. This covers the standard models and the more popular options that are available.

In referring to the rear, the front or to either side of the unit, always consider the drawbar end of the unit as the front.

Standing at the rear of the unit facing the drawbar (front) will determine the right and left sides.

### **Fasteners**

Both SAE/inch and ISO/metric hardware have been used in the design and assembly of these units. In the disassembly and reassembly of parts, extreme care must be taken to avoid damaging threads by the use of wrong fasteners.

### **How To Order**

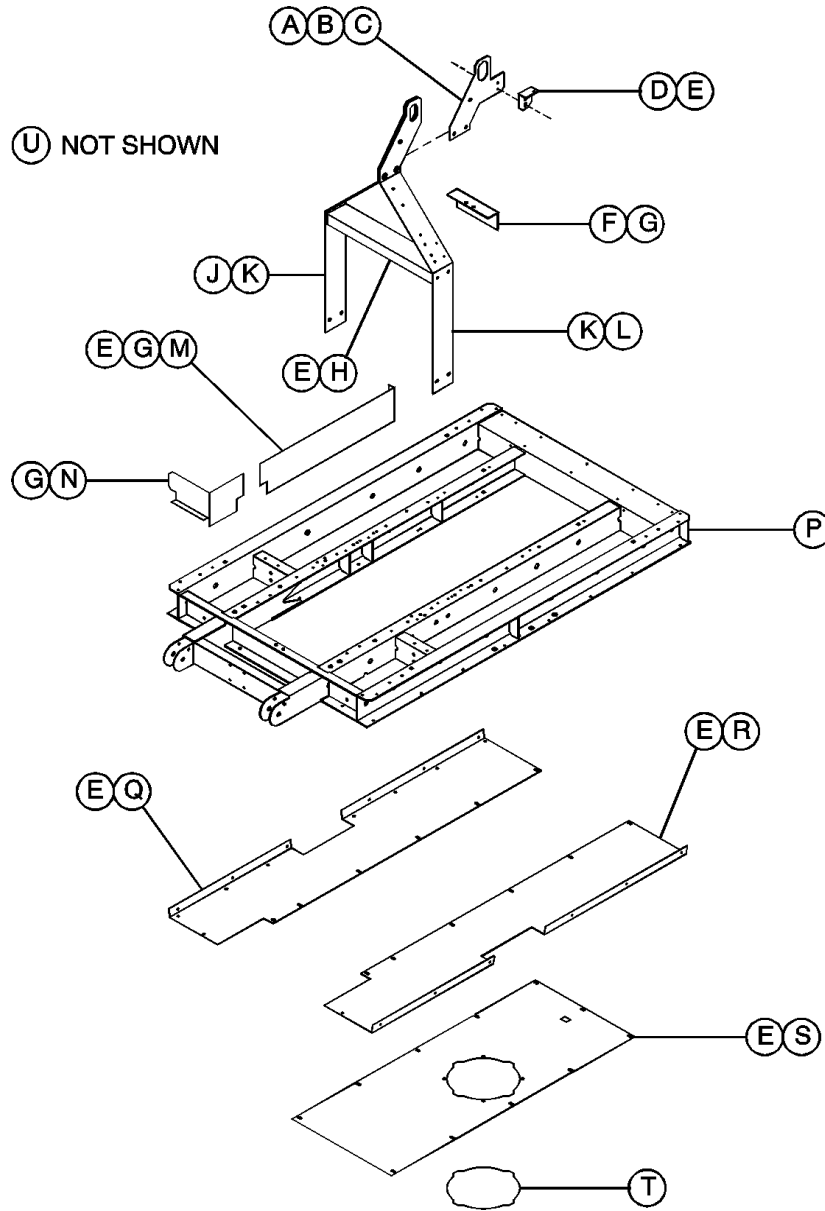
Always specify the model and serial number of the unit.

Specify the part number and description.

# Section A - COMPRESSOR PARTS



FRAME and LIFTING BAIL  
 FRAME and LIFTING BAIL

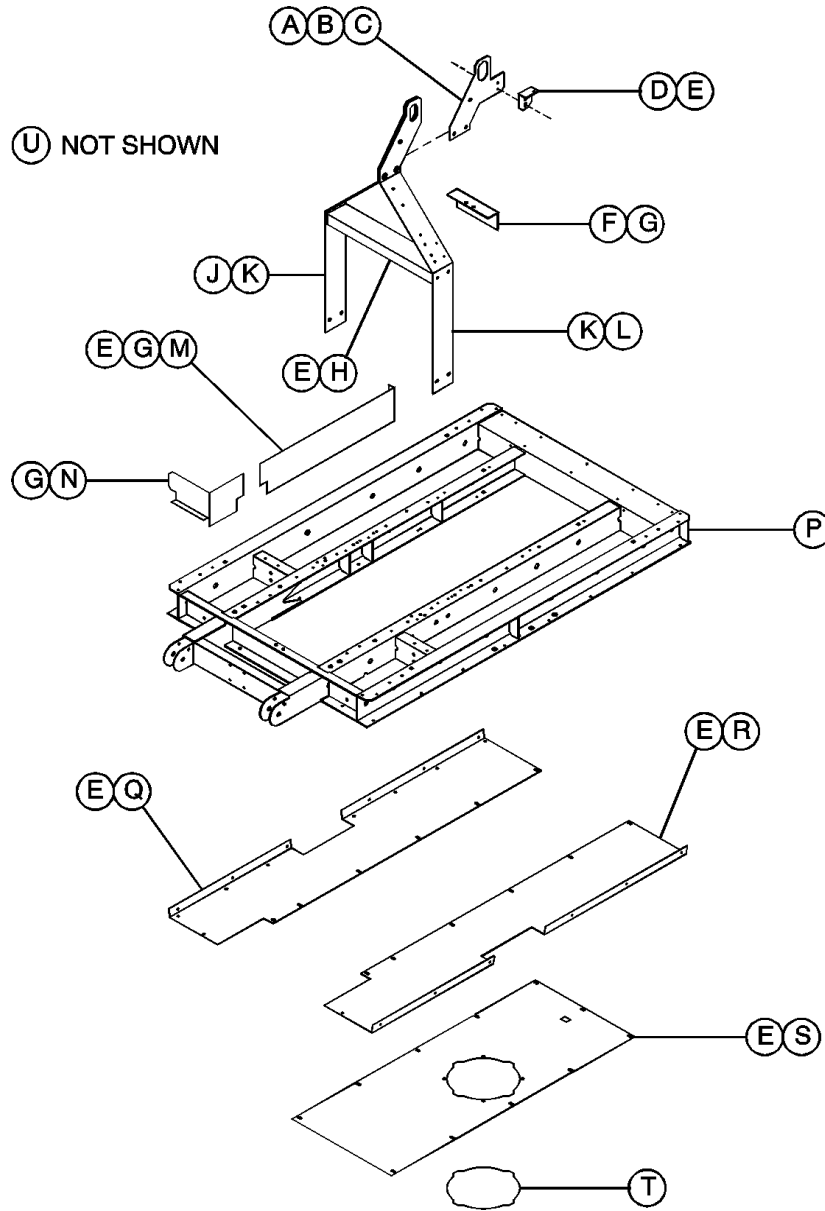


22591986\_02\_04/05\_A

ITEM	COMM. NO.	DESCRIPTION	QTY	DIMENSIONS/NOTES
A	36882165	PLATE, BAIL EYE	1	
B	36877793	SCREW, HEX FLANGE M12-1.75 X 40	3	
C	36879203	NUT, HEX FLANGE M12-1.75	3	
D	36883510	ANGLE, ROOF TIE	1	
E	35279025	SCREW, HEX TAPPING M08-1.25 X 20	26	
F	22252183	BRACKET, RELAY	1	
G	36787652	SCREW, HEX TAPPING M06-1.0 X 12	13	
H	36880870	CROSSMEMBER, LIFT BAIL	1	
J	36880854	BAIL, CURB SIDE LIFT	1	
K	36879492	SCREW, HEX FLANGE M12-1.75 X 25	12	
L	36880862	BAIL, STREET SIDE LIFT	1	
M	22505796	GUARD, TOOL BOX	1	



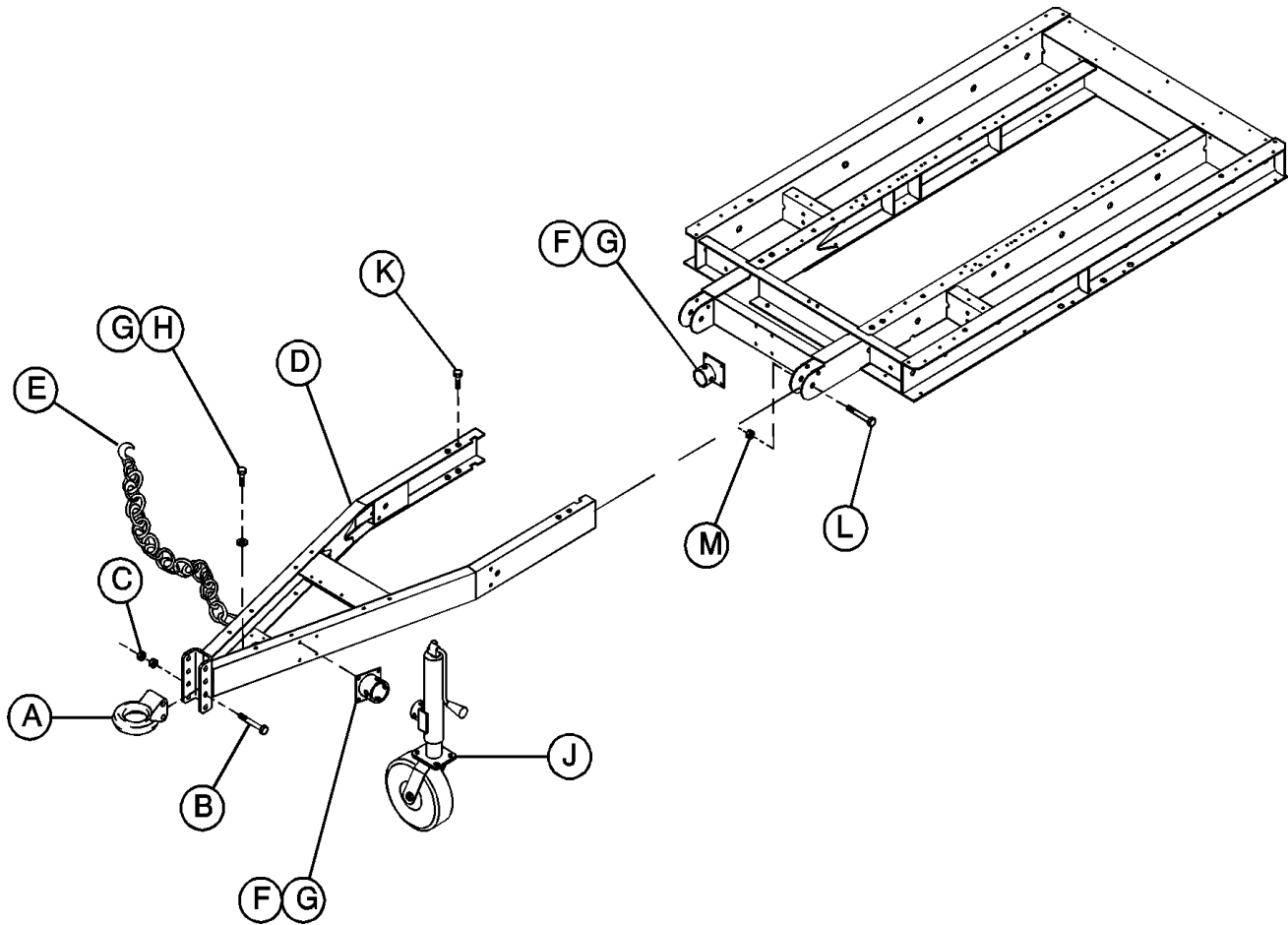
FRAME and LIFTING BAIL



22591986\_02\_04/05\_A

ITEM	COMM. NO.	DESCRIPTION	QTY	DIMENSIONS/NOTES
N	36884716	GUARD, BATTERY	1	
P	22204614	FRAME	1	
Q	36882678	PAN, CURB SIDE BELLY	1	
	54529284	PAN, CURB SIDE BELLY	1	GALVANNEAL
R	36882686	PAN, STREET SIDE BELLY	1	
	54529292	PAN, STREET SIDE BELLY	1	GALVANNEAL
S	36880441	PAN, CENTER BELLY	1	
	54529086	PAN, CENTER BELLY	1	GALVANNEAL
T	36880623	COVER, FLEXABLE ACCESS	1	
U	22638431	GUARD, RADIATOR HOSE	1	

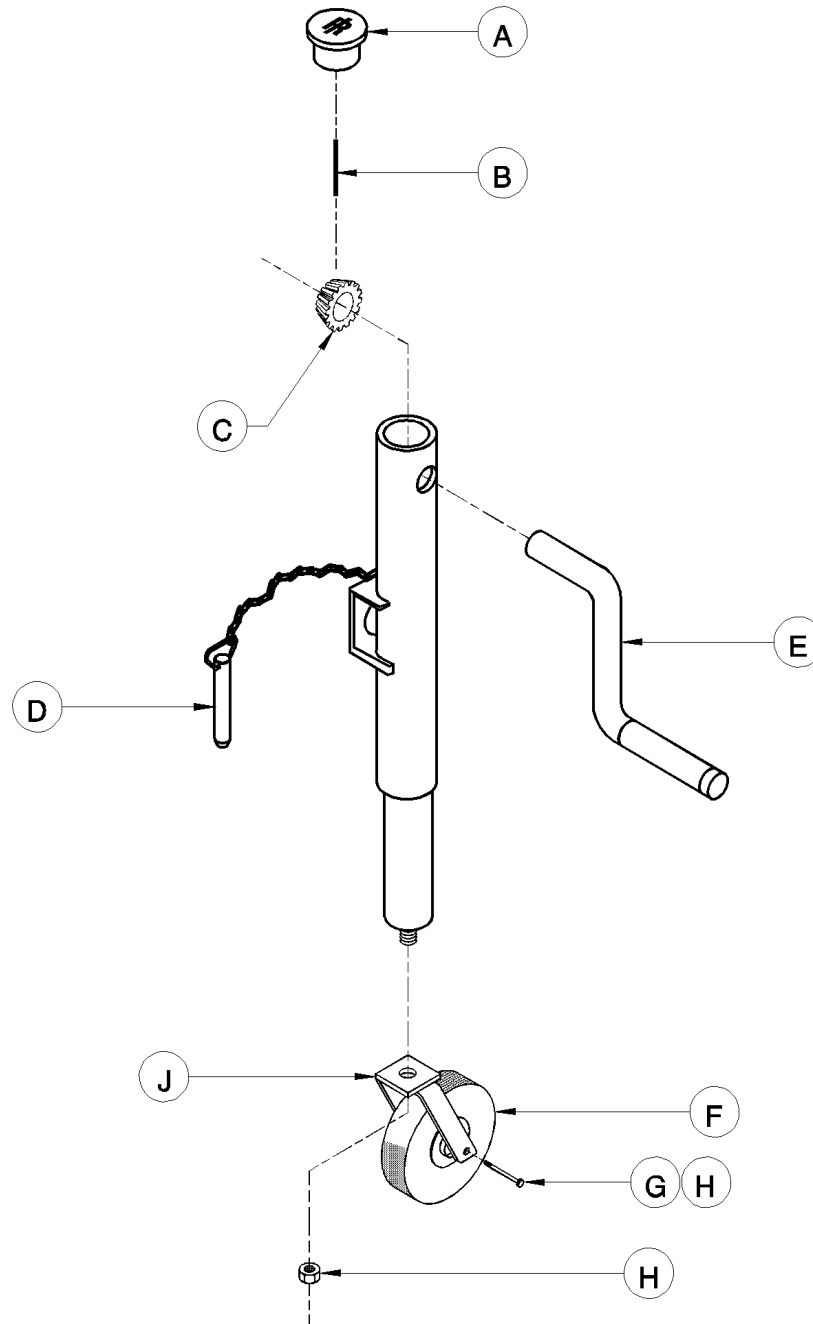
DRAWBAR  
DRAWBAR



22591986\_03\_04/05\_A

ITEM	COMM. NO.	DESCRIPTION	QTY	DIMENSIONS/NOTES
A	35605187	PINTLE EYE	1	
B	35376094	SCREW, HEX M16-2.0 X 120	2	
C	96701750	NUT, HEX M16-2.0	4	
D	36880458	DRAWBAR	1	
E	22144521	CHAIN and HOOK ASSEMBLY	2	
F	36796068	TUBE, JACK MOUNTING	2	
G	35279025	SCREW, HEX TAPPING M08-1.25 X 20	10	
H	95934899	WASHER, FLAT	2	
J	36888709	JACK ASSEMBLY	1	
K	36879492	SCREW, HEX FLANGE M12-1.75 X 25	4	
L	35290113	SCREW, HEX M16-2.0 X 75	2	
M	96704630	NUT, HEX NYLOC M16-2.0	2	

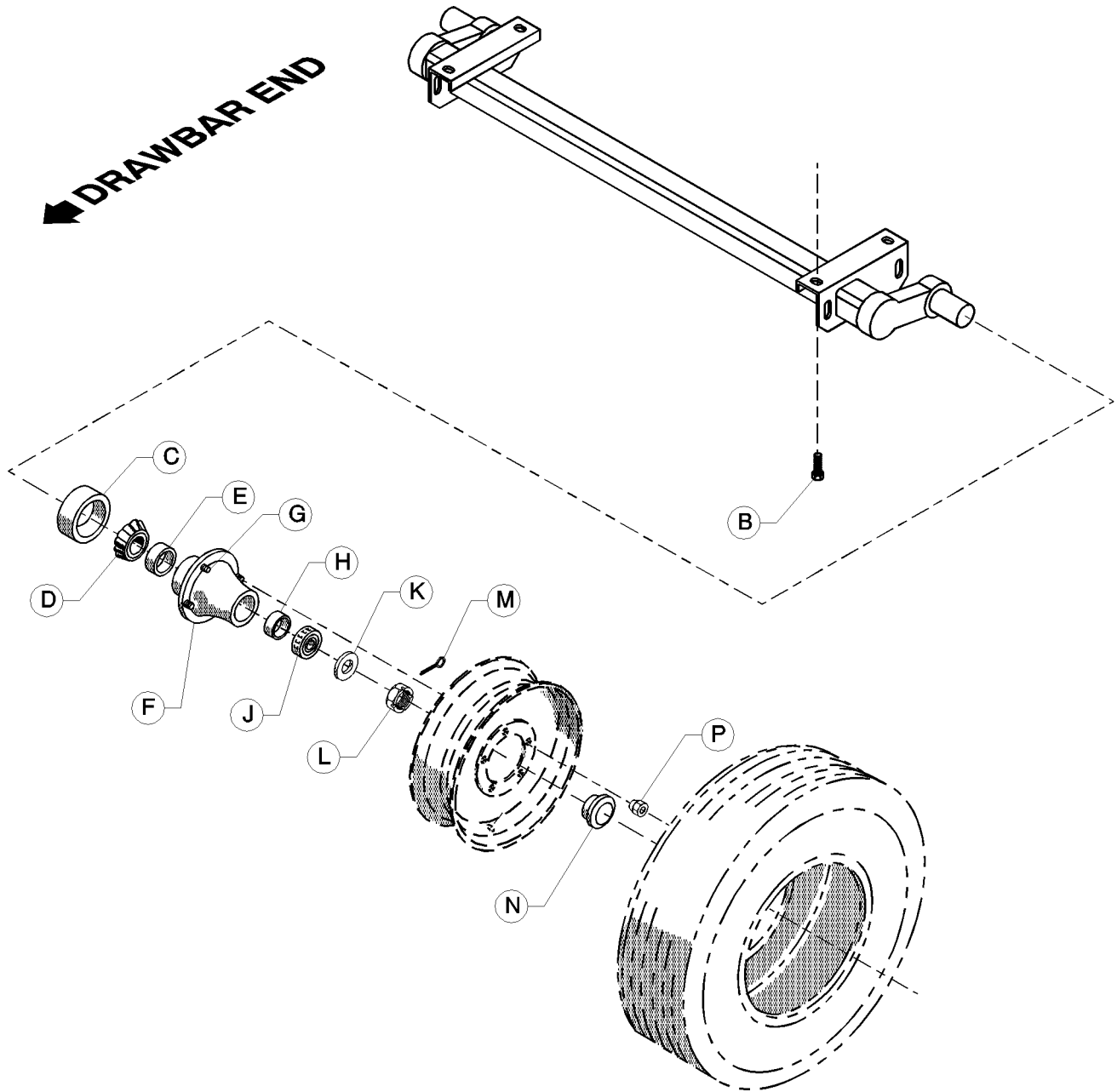
## JACK ASSEMBLY



22591986\_04\_04/05\_A

ITEM	COMM. NO.	DESCRIPTION	QTY	DIMENSIONS/NOTES
A	35392521	CAP	1	
B	35392539	PIN, ROLL	1	
C	35392547	GEAR, DRIVE	1	
D	35392554	PLUNGER PIN KIT	1	
E	35392562	HANDLE ASM.	1	
F	35392588	CASTER WHEEL	1	
G	35392596	BOLT, CASTER WHEEL 1/2-13 X 3.18"	1	
H	95923348	NUT, HEX NYLOC 1/2-13	2	
J	35392570	YOKE, CASTER WHEEL	1	

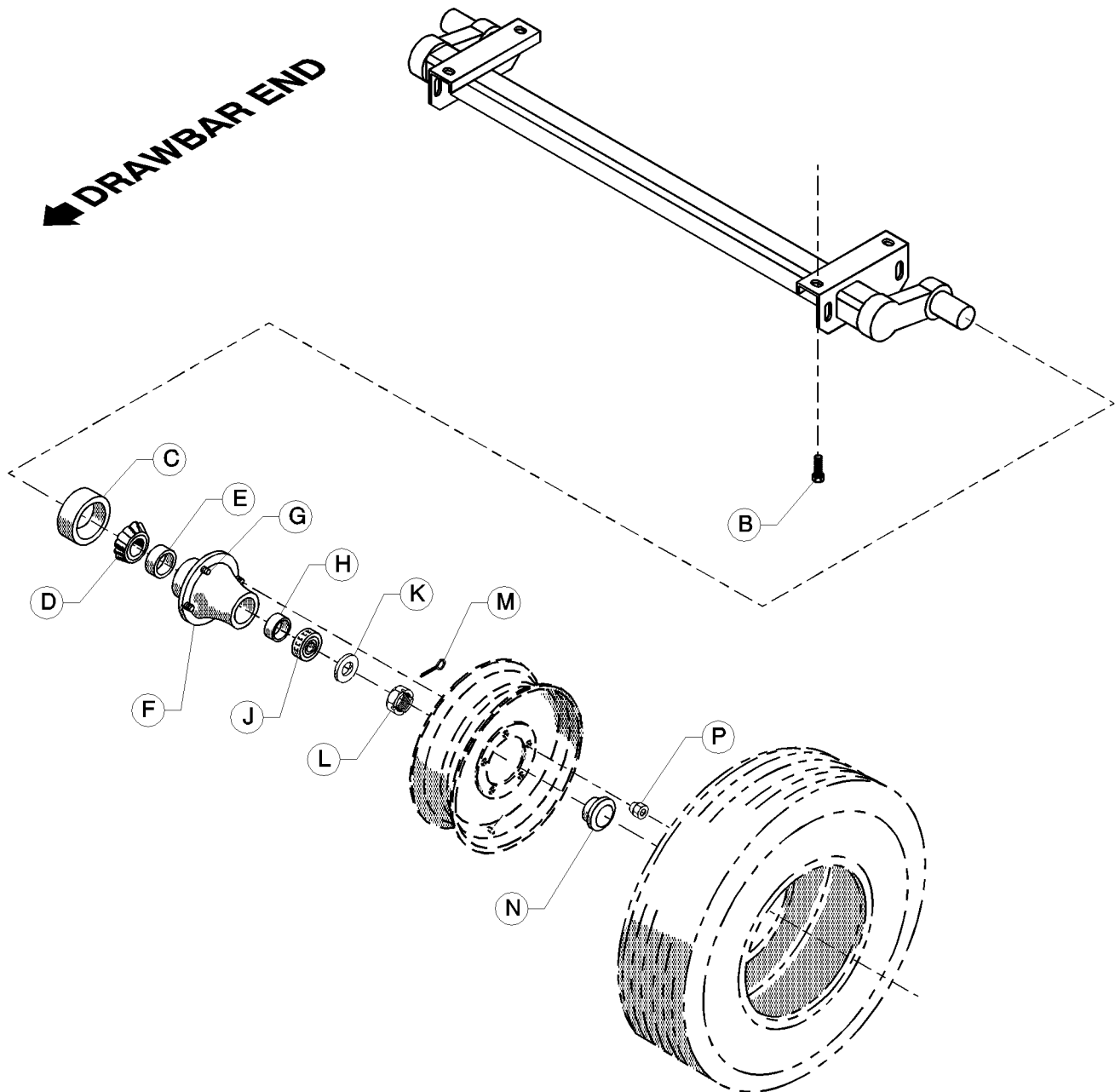
RUNNING GEAR COMPLETE  
 RUNNING GEAR COMPLETE



22591986\_05\_04/05\_A

ITEM	COMM. NO.	DESCRIPTION	QTY	DIMENSIONS/NOTES
A	35085398	KIT, HUB	1	
B	96747142	SCREW, HEX M16-2.0 X 30	4	
C	35315142	SEAL, GREASE	2	INCLUDED IN ITEM A
D	35361864	CONE, INNER BEARING	2	INCLUDED IN ITEM A
E	35361872	CUP, INNER BEARING	2	INCLUDED IN ITEM A
F	35361880	HUB	2	INCLUDED IN ITEM A
G	35361898	STUD, WHEEL	10	INCLUDED IN ITEM A

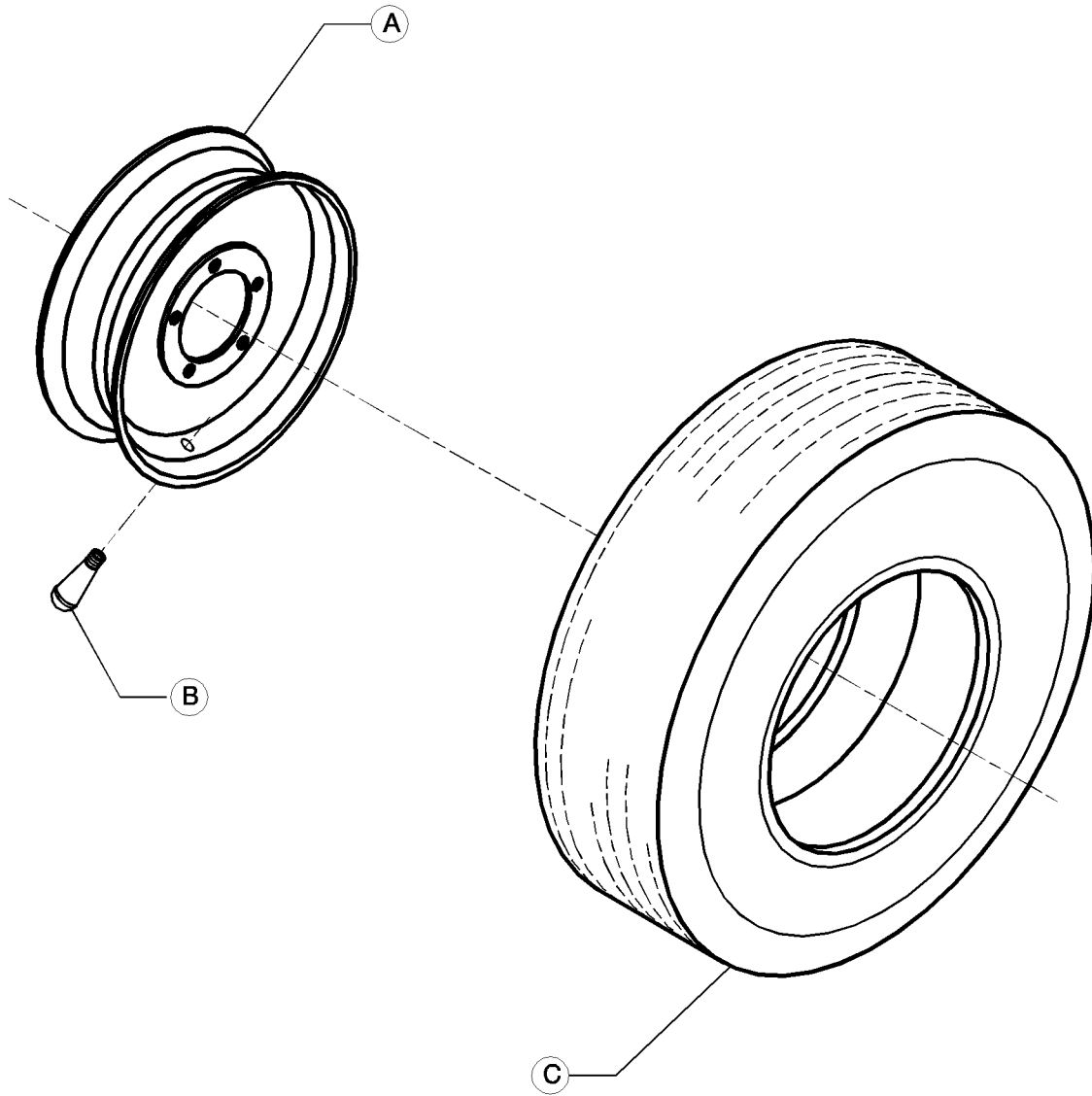
## RUNNING GEAR COMPLETE



22591986\_05\_04/05\_A

ITEM	COMM. NO.	DESCRIPTION	QTY	DIMENSIONS/NOTES
H	35315183	CUP, INNER BEARING	2	INCLUDED IN ITEM A
J	35315191	CONE, INNER BEARING	2	INCLUDED IN ITEM A
K	35315209	WASHER, SPINDLE	2	
L	35315217	NUT, SPINDLE	2	
M	35315225	PIN, COTTER	2	
N	35315233	CUP, GREASE	2	INCLUDED IN ITEM A
P	35315274	NUT, WHEEL	10	INCLUDED IN ITEM A

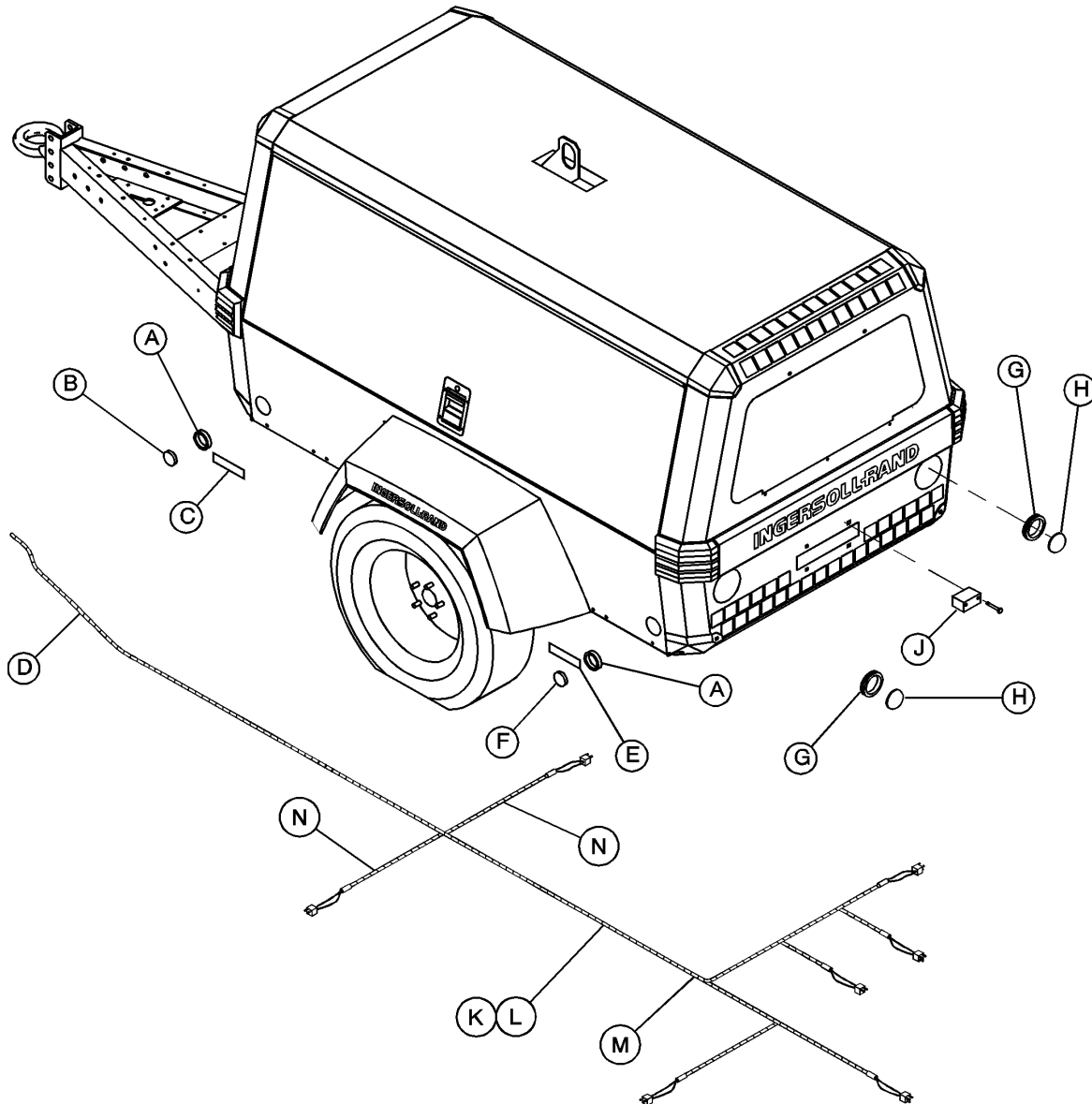
15" TIRE and WHEEL  
 15" TIRE and WHEEL



22591986\_06\_04/05\_A

ITEM	COMM. NO.	DESCRIPTION	QTY	DIMENSIONS/NOTES
A	35277706	WHEEL, 15 X 6	1	
B	35282565	STEM, VALVE	1	
C	22246276	TIRE, ST205/75D15	1	

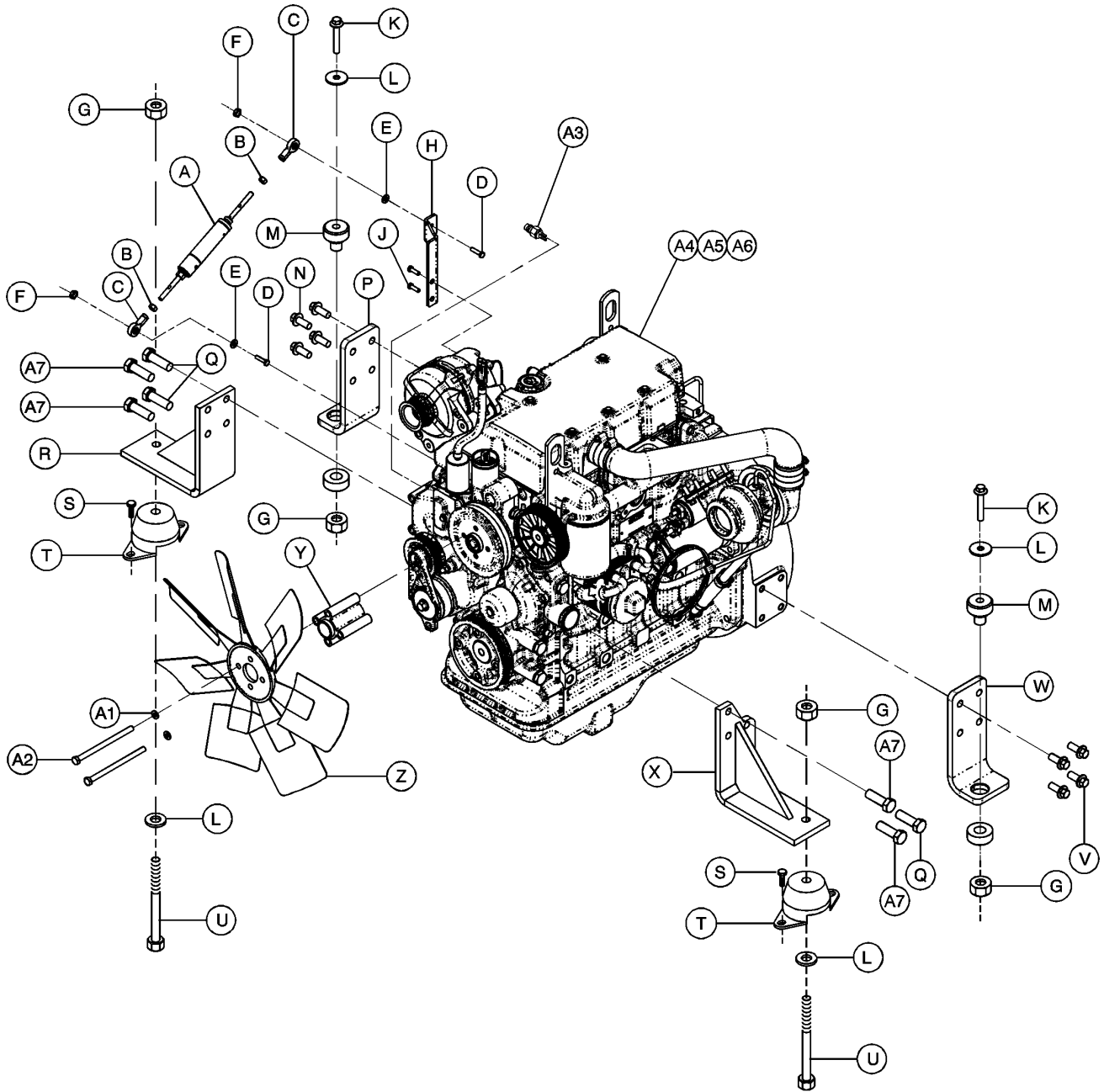
## TAIL LIGHT and BRAKE WIRING



22591986\_07\_04/05\_A

ITEM	COMM. NO.	DESCRIPTION	QTY	DIMENSIONS/NOTES
A	36893634	GROMMET, CLEARANCE LIGHT	4	
B	35367051	LIGHT, AMBER CLEARANCE	2	
C	36894616	REFLECTOR, AMBER	2	
D	36893196	HARNASS, 2-LIGHT	1	
E	36894608	REFLECTOR, RED	2	
F	35367044	LIGHT, RED CLEARANCE	2	
G	36787968	GROMMET, TAIL LIGHT	2	
H	36788081	LIGHT, COMBO TAIL	2	
J	54726468	LIGHT, LICENSE	1	
K	35253038	CLAMP, 3/8	6	
L	35279025	SCREW, HEX TAPPING M08-1.25 X 20	2	
M	35225077	CLAMP, 5/8	2	
N	36853174	CLAMP, 1/4	2	

ENGINE and MOUNTS  
ENGINE and MOUNTS

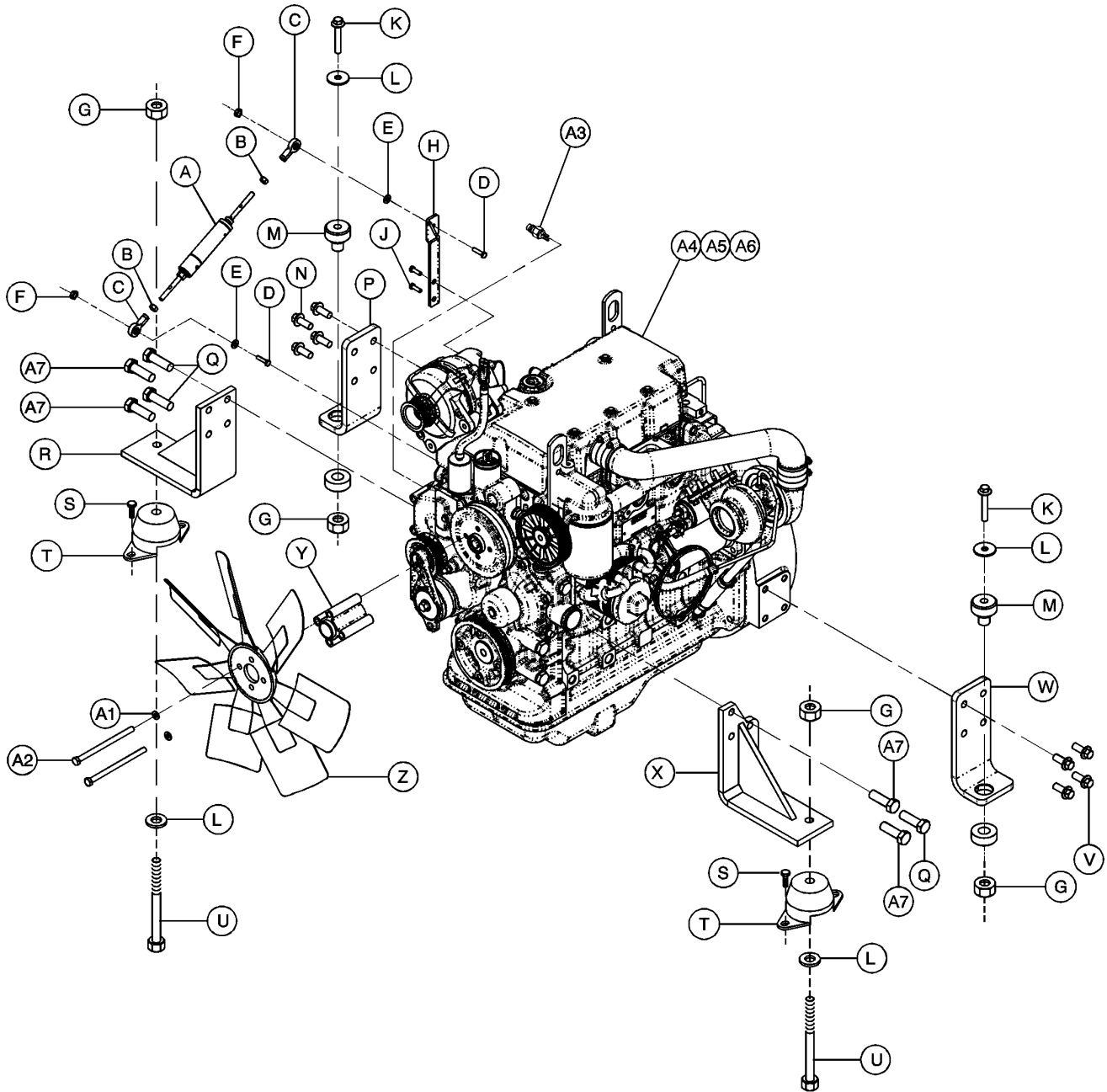


22591986\_08\_04/05\_A

ITEM	COMM. NO.	DESCRIPTION	QTY	DIMENSIONS/NOTES
A	35592435	CYLINDER, PNEUMATIC	1	
B	95923074	NUT, HEX JAM 5/16-24	2	
C	35328467	BEARING, ROD END	2	
D	96701461	SCREW, HEX M06-1.0 X 25	2	
E	95935029	WASHER, FLAT	2	
F	36769032	NUT, HEX LOCKING M06-1.0	2	
G	35304047	NUT, HEX NYLOC M12X1.75	4	
H	22403489	BRACKET, AIR CYLINDER MOUNTING	1	
J	96702816	SCREW, HEX M08-1.25 X 16	2	
K	96740782	SCREW, HEX M12-1.75 X 80	2	



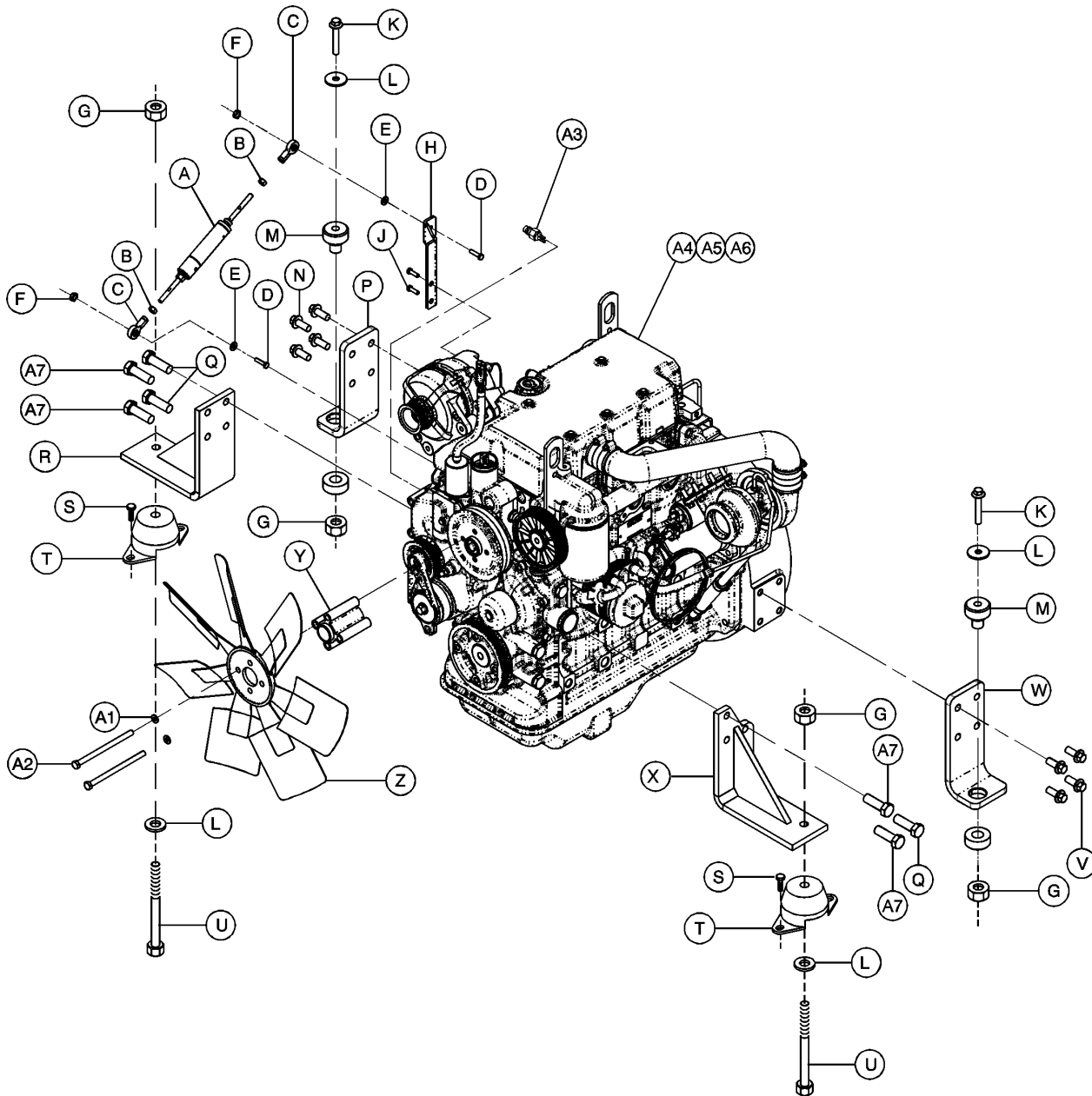
## ENGINE and MOUNTS



22591986\_08\_04/05\_A

ITEM	COMM. NO.	DESCRIPTION	QTY	DIMENSIONS/NOTES
L	54429295	WASHER, SNUBBER	4	
M	54439062	ISOLATOR, REAR	2	
N	35272533	SCREW, HEX M12-1.75 X 35	4	
P	22302111	BRACKET, REAR CRBSD ENGINE MOUNTING	1	
Q	35375591	SCREW, HEX M16-2.0 X 30	3	
R	22302129	BRACKET, FRT CRBSD ENGINE MOUNTING	1	
S	35279025	SCREW, HEX TAPPING M08-1.25 X 20	4	
T	54429303	ISOLATOR, FRONT	2	
U	96739958	SCREW, HEX M12-1.75 X 70	2	
V	36888055	SCREW, HEX FLANGE M12-1.75 X 30	4	

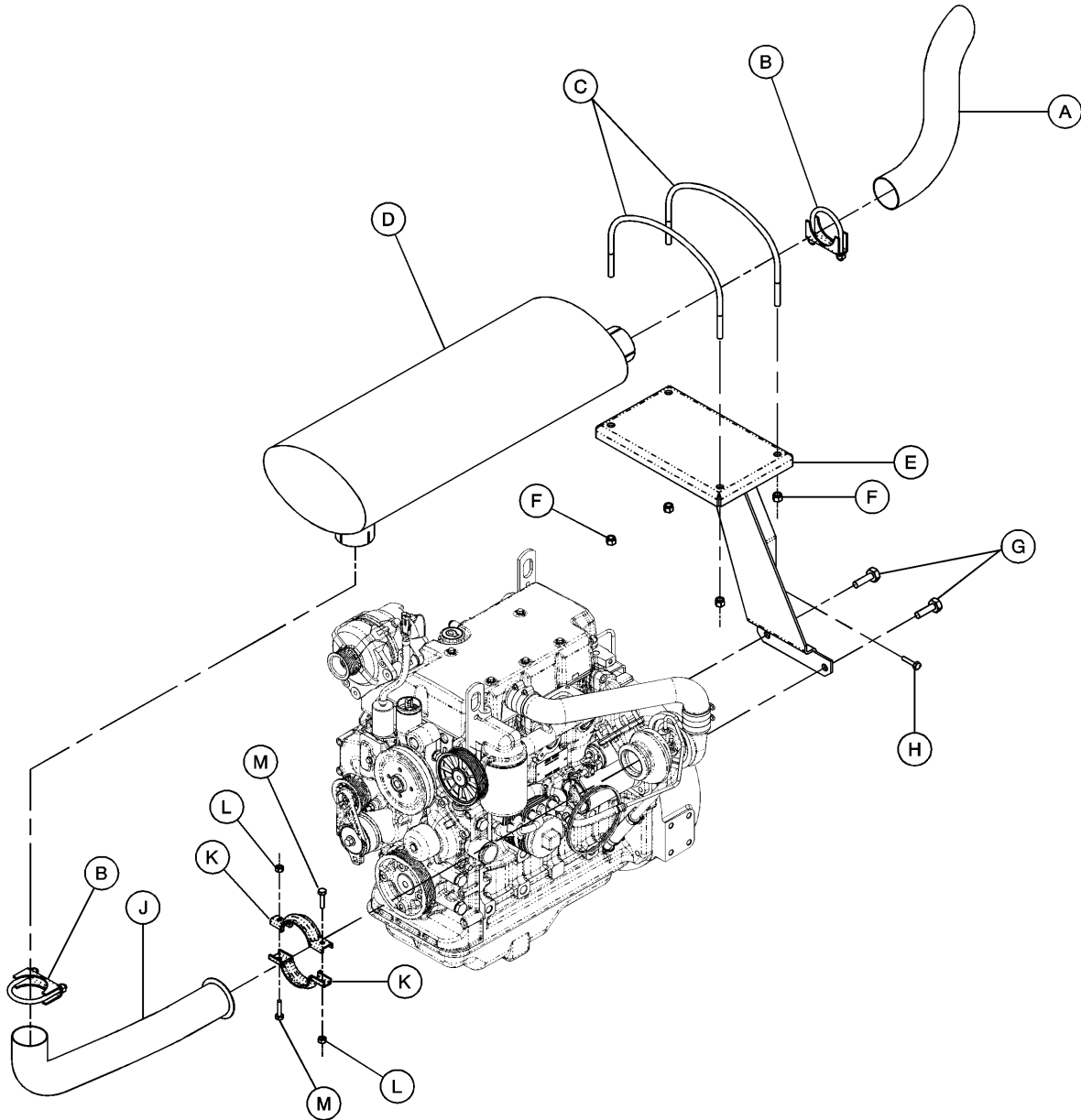
ENGINE and MOUNTS  
ENGINE and MOUNTS



22591986\_08\_04/05\_A

ITEM	COMM. NO.	DESCRIPTION	QTY	DIMENSIONS/NOTES
W	22303184	BRACKET, REAR STSD ENGINE MOUNTING	1	
X	22303176	BRACKET, FRT STSD ENGINE MOUNTING	1	
Y	36877959	SPACER, FAN	1	
Z	22530539	FAN	1	
A1	95934998	WASHER, FLAT 3/8 X 7/8	4	
A2	96726435	SCREW, HEX M08-1.25 X 100	4	
A3	36878379	SWITCH, PRESSURE 12PSI	1	
A4	22403497	ENGINE, 4034T JD	1	
A5	22556138	ELEMENT, 5 MICRON FUEL FILTER	1	
A6	22545867	ELEMENT, OIL FILTER	1	
A7	35375385	SCREW, , HEX M16-2.0 X 40	4	

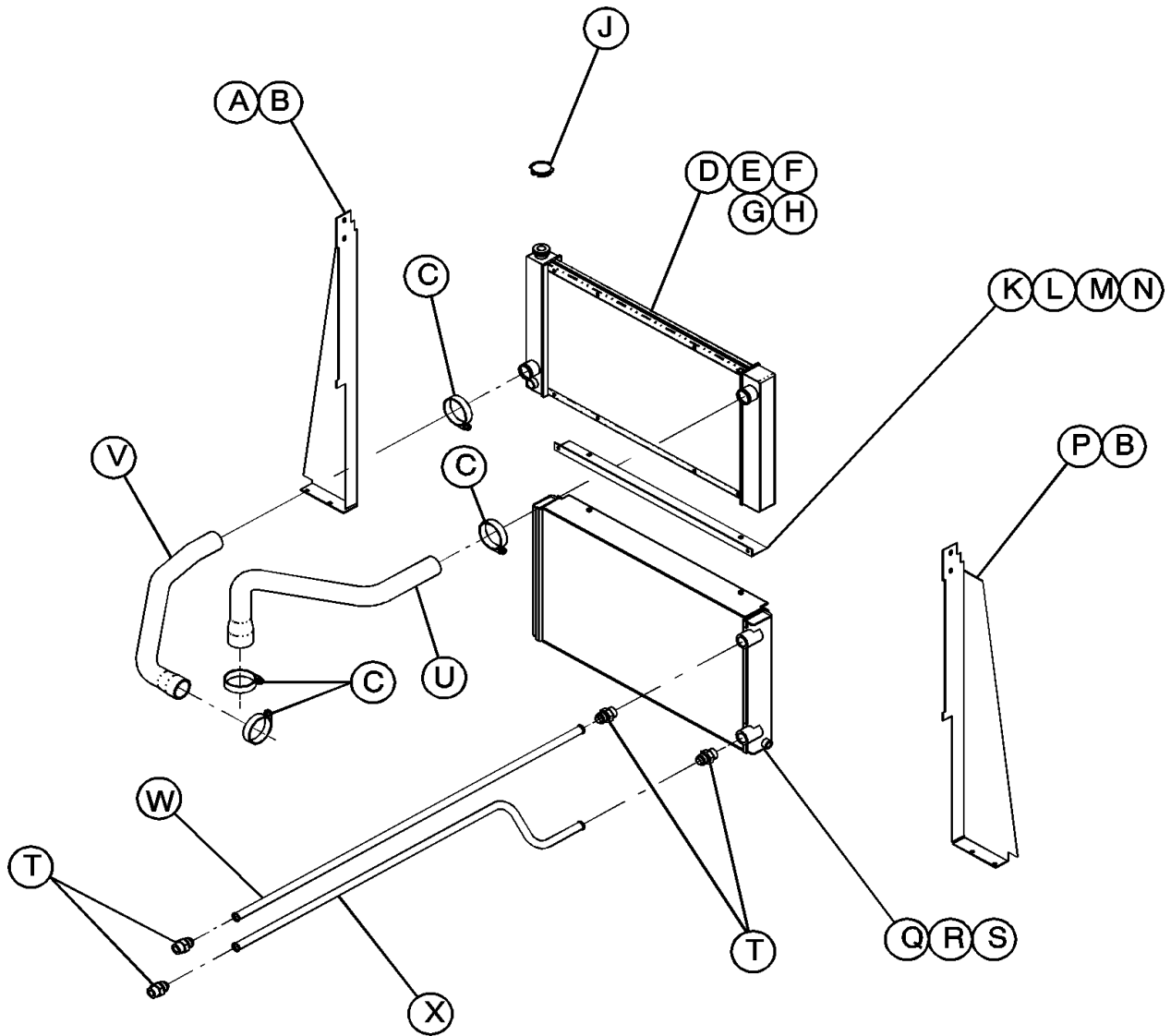
## ENGINE EXHAUST



22591986\_09\_04/05\_A

ITEM	COMM. NO.	DESCRIPTION	QTY	DIMENSIONS/NOTES
A	22310288	PIPE, EXHAUST TAIL	1	
B	35209048	CLAMP, SADDLE 2 1/2"	2	
C	35851377	CLAMP, U-BOLT 3/8-16	2	
D	22532626	MUFFLER	1	
E	22585707	BRACKET, MUFFLER	1	
F	95923322	NUT, HEX LOCK 3/8-16	4	
G	96719869	SCREW, HEX FLANGE M12-1.75 X 20	2	
H	35273408	SCREW, HEX M08-1.25 X 20	1	
J	22584502	PIPE, TURBO-MUFFLER	1	
K	36796845	CLAMP, MUFFLER	2	
L	95929782	NUT, HEX 5/16-18	2	
M	95935227	SCREW, HEX 5/16-18 X 1 1/4"	2	

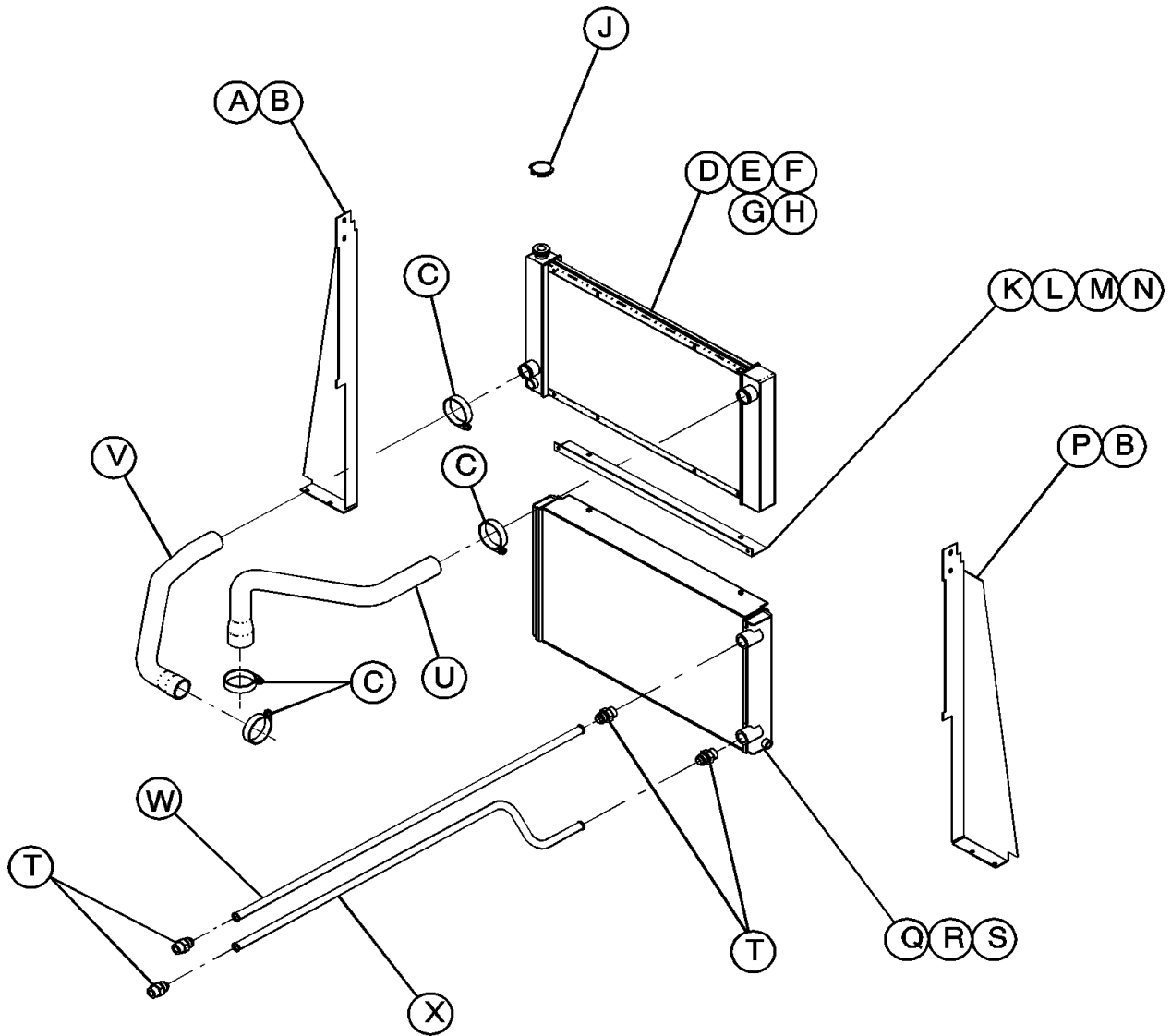
COOLING COMPLETE  
COOLING COMPLETE



22591986\_10\_04/05\_A

ITEM	COMM. NO.	DESCRIPTION	QTY	DIMENSIONS/NOTES
A	54712815	BAFFLE, COOLER TOP CRBSD	1	STANDARD
	54729629	BAFFLE, COOLER TOP CRBSD	1	GALVANNEAL
B	92368687	SCREW, TAPPING M06-1.0 X 14	4	
C	35221662	CLAMP, HOSE	4	
D	36880516	RADIATOR	1	
E	36782176	VALVE, DRAIN	1	
F	36785327	SCREW, HEX M06-1.0 X 55	2	
G	95935029	WASHER, FLAT 1/4	2	
H	36769032	NUT, HEX LOCK M06	2	
J	36769560	CAP, RADIATOR	1	
K	36881480	BRACKET, RAD/OIL COOLER	1	STANDARD
	54529250	BRACKET, RAD/OIL COOLER	1	GALVANNEAL
L	96702055	SCREW, HEX M08-1.25 X 20	2	

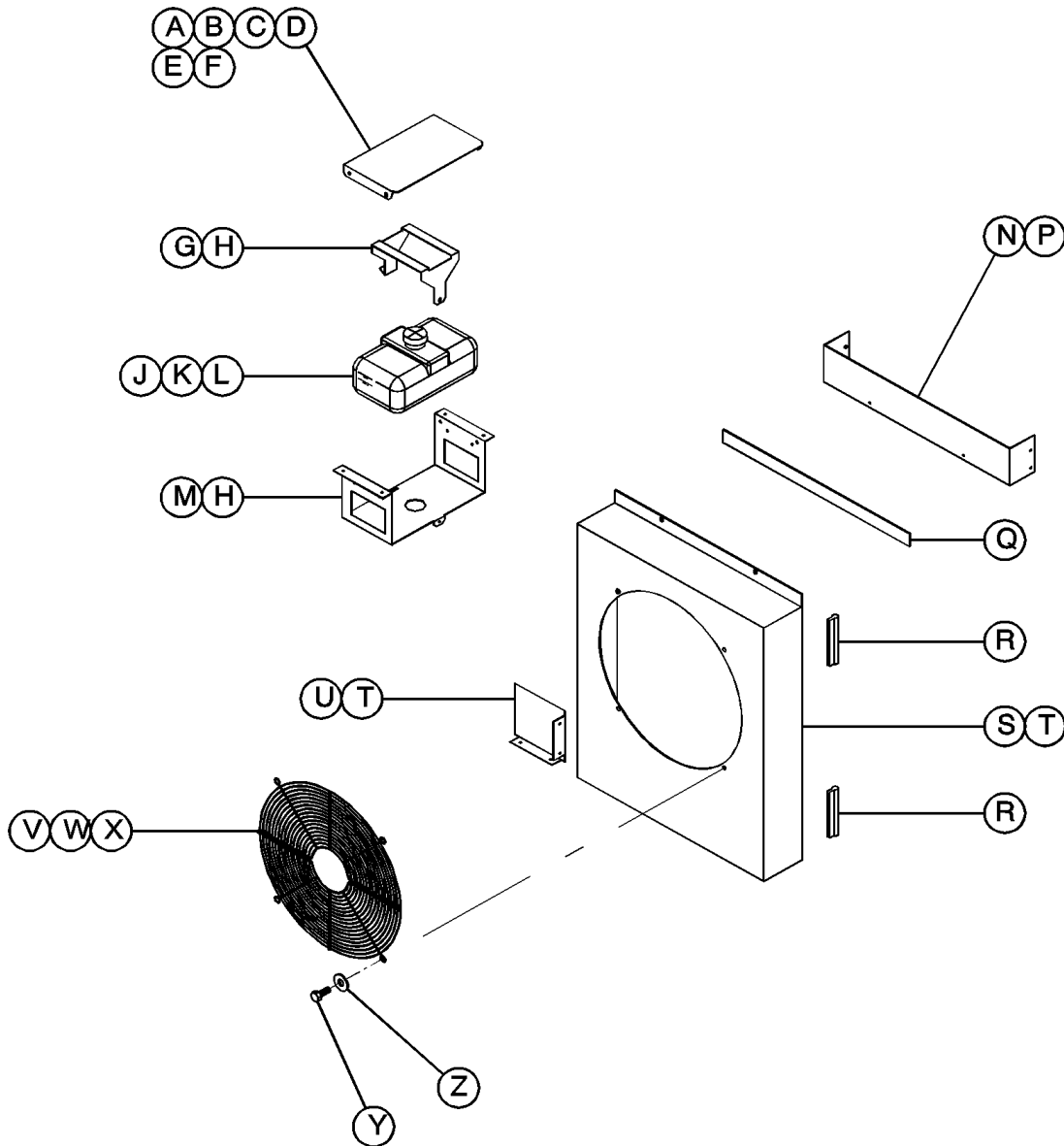
COOLING COMPLETE



22591986\_10\_04/05\_A

ITEM	COMM. NO.	DESCRIPTION	QTY	DIMENSIONS/NOTES
M	95934998	WASHER, FLAT 3/8	2	
N	36881886	NUT, HEX FLANGE M08-1.25	2	
P	54712807	BAFFLE, COOLER STREET SIDE	1	STANDARD
	54729611	BAFFLE, COOLER STREET SIDE	1	GALVANNEAL
Q	36882934	COOLER, OIL	1	
R	35279025	SCREW, TAPPING M08-1.25 X 20	2	
S	95928230	PLUG, HEX CTRSK 1/4 NPT	1	
T	35295880	CONNECTOR, 1 1/16-12	4	
U	22305486	HOSE, RADIATOR TOP	1	
V	22302145	HOSE, RADIATOR LOWER	1	
W	22181143	TUBE, TOP OIL	1	
X	22181150	TUBE, BOTTOM OIL	1	

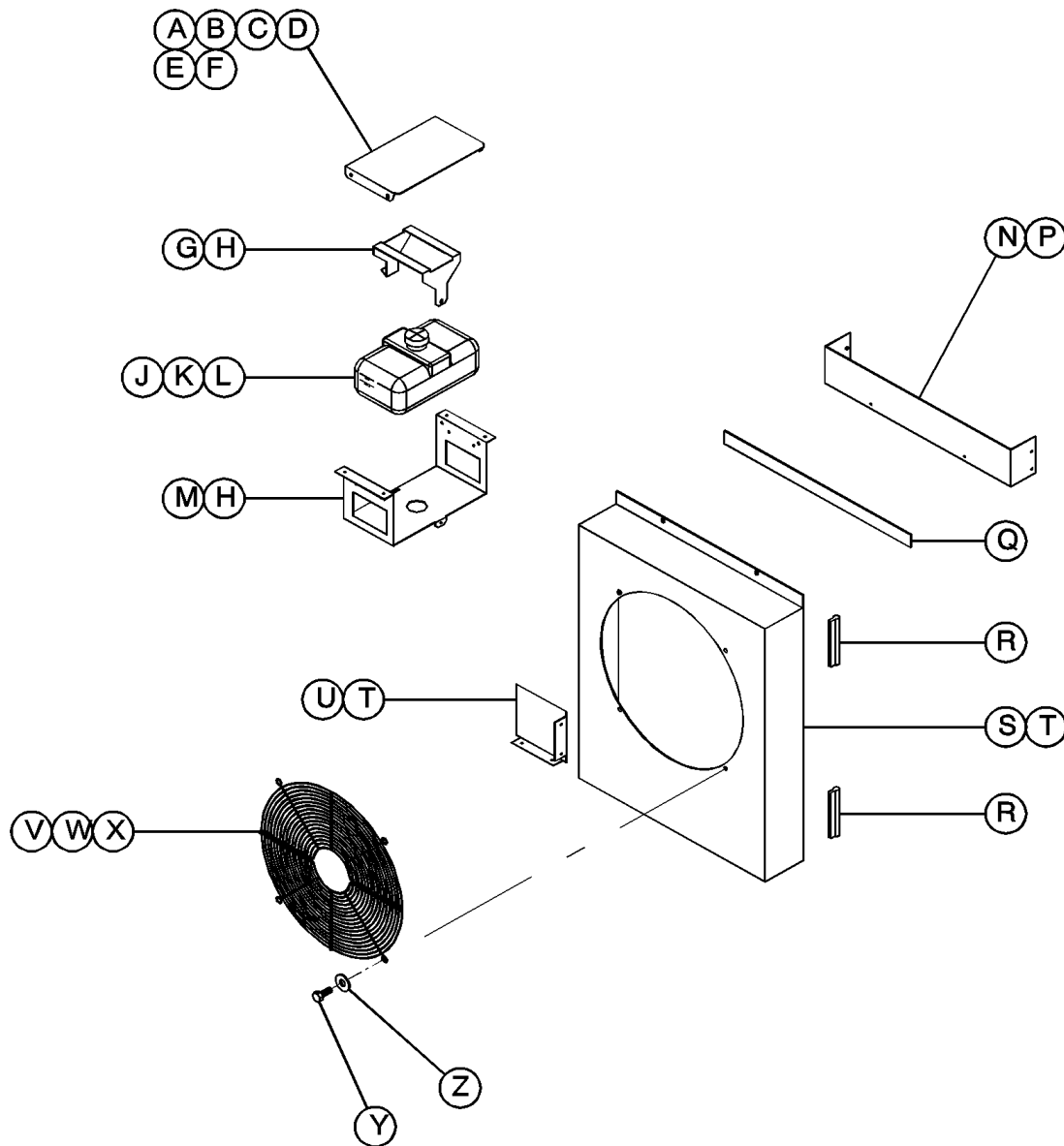
FAN SHROUD  
FAN SHROUD



22591986\_11\_04/05\_A

ITEM	COMM. NO.	DESCRIPTION	QTY	DIMENSIONS/NOTES
A	36884500	DOOR, RADIATOR ACCESS	1	STANDARD
	54529342	DOOR, RADIATOR ACCESS	1	GALVANNEAL
B	36890028	SPACER, NYLON	2	
C	95934816	SCREW, HEX 1/4-20 X 1.0"	2	
D	95935029	WASHER, FLAT 1/4	2	
E	95923298	NUT, HEX LOCK 1/4-20	2	
F	35278720	PIN, QUICK RELEASE	1	
G	36883874	STRAP, WATER BOTTLE HOLDDOWN	1	
H	36797652	SCREW, TAPPING M06-1.0 X 12	5	
J	36782043	RESERVIOR, OVERFLOW	1	
K	35360775	HOSE 5/16	10"	
L	35296342	CLAMP, HOSE	2	
M	36883866	SUPPORT, WATER BOTTLE	1	

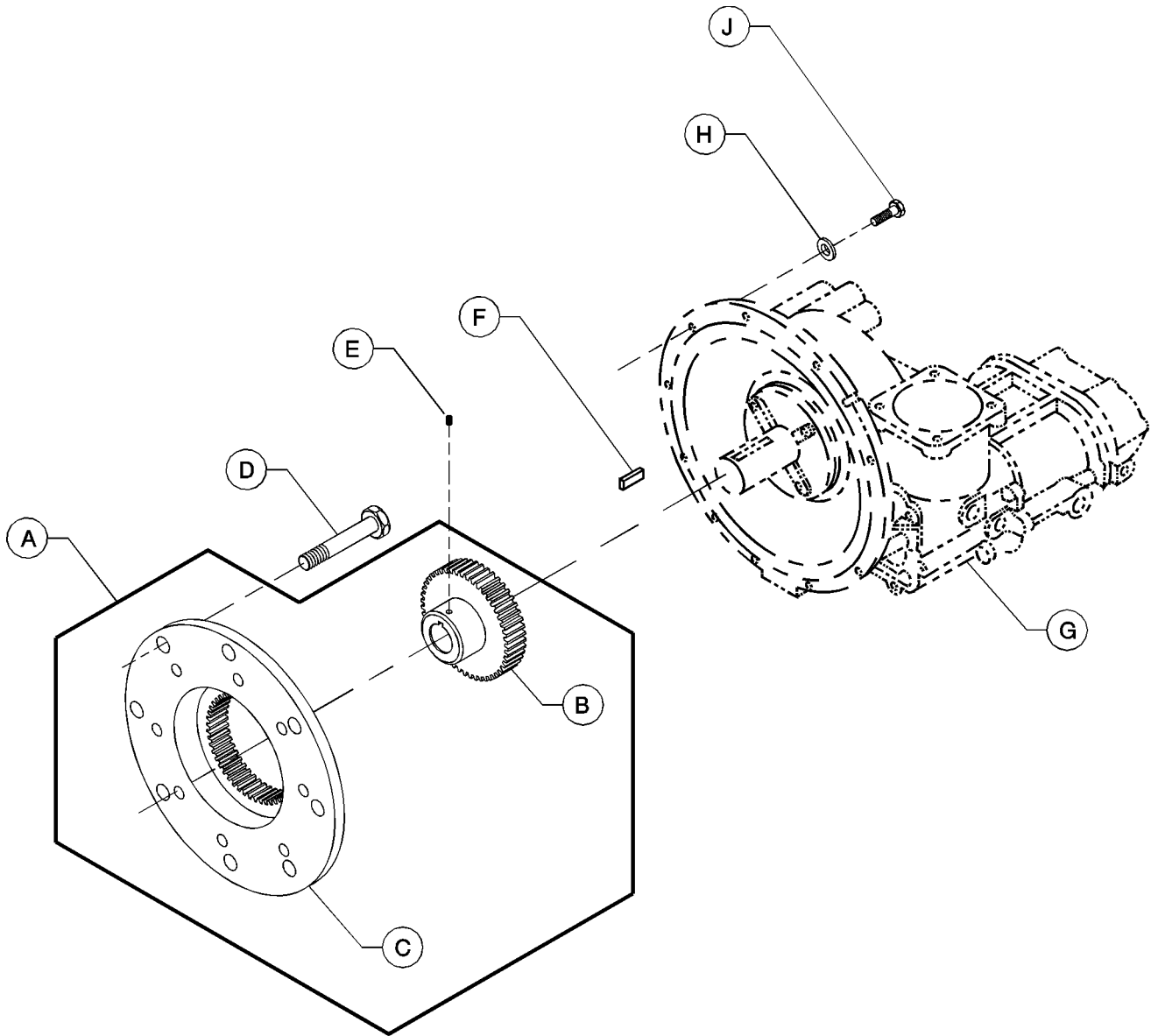
## FAN SHROUD



22591986\_11\_04/05\_A

ITEM	COMM. NO.	DESCRIPTION	QTY	DIMENSIONS/NOTES
N	36881472	BAFFLE, COOLER TOP	1	STANDARD
	54529243	BAFFLE, COOLER TOP	1	GALVANNEAL
P	92368687	SCREW, TAPPING M06-1.0 X 14	4	
Q	35140409	STRIP, FOAM	26"	
R	54445176	STRIP, SEAL	4	
S	22602189	SHROUD, FAN	1	
T	35279025	SCREW, TAPPING M08-1.25 X 20	4	
U	36920858	GUARD, OIL COOLER	1	
V	36884096	GUARD, FAN		
W	96702055	SCREW, TAPPING M08-1.25 X 20	2	
X	36881886	NUT, HEX FLANGE M08-1.25	2	
Y	35300771	SCREW, TAPPING M06-1.0 X 20	4	
Z	36853265	WASHER, PLASTIC	4	

AIR END COMPLETE  
AIR END COMPLETE

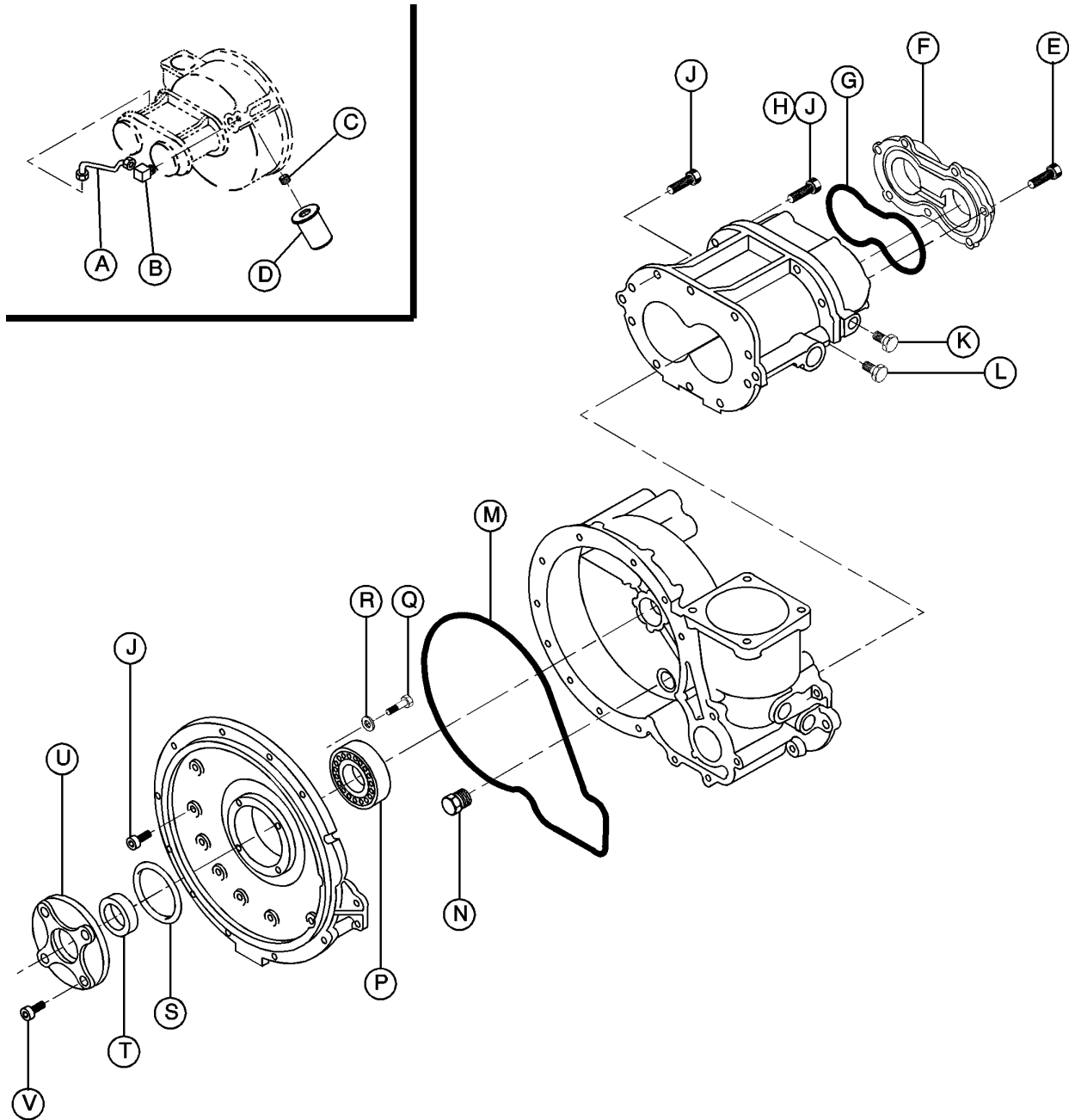


22591986\_12\_04/05\_A

ITEM	COMM. NO.	DESCRIPTION	QTY	DIMENSIONS/NOTES
A	22344808	COUPLING, DRIVE	1	
B	22351720	ELEMENT, DRIVE COUPLING	1	
C	22374847	HUB, COUPLING	1	
D	95220604	SCREW, SOCKET HEAD 3/8-16 X 3/4"	8	
E	22404289	SCREW, HEX SOCKET SET M08-1.25 X 12	1	
F	36769289	KEY, M8 X 10 X 60	1	
G	36007854	AIR END	1	
H	95935037	WASHER, FLAT	7	
J	36880995	SCREW, HEX FLANGE M10-1.5 X 30	9	



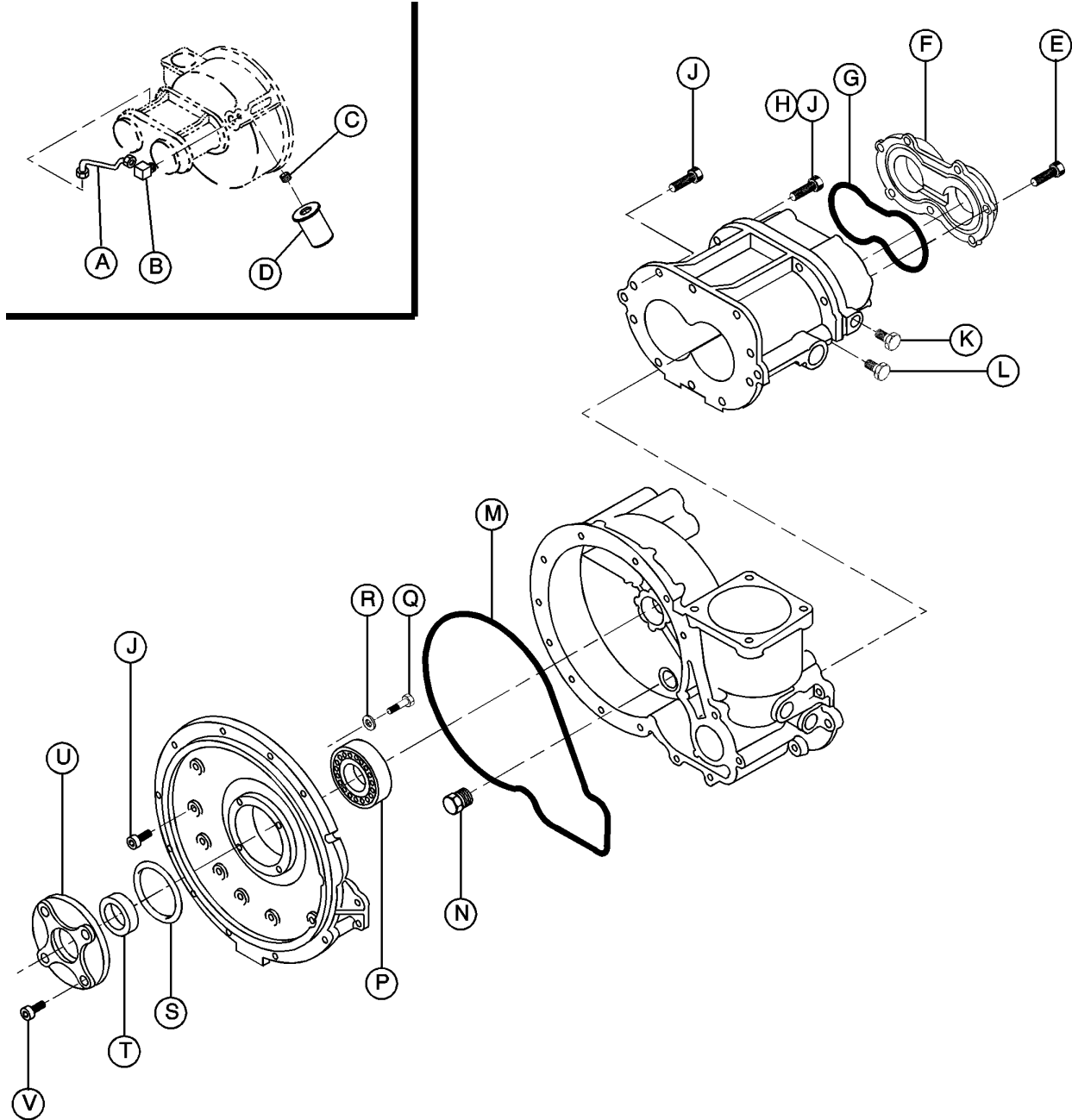
AIR END ASSEMBLY



22591986\_13\_04/05\_A

ITEM	COMM. NO.	DESCRIPTION	QTY	DIMENSIONS/NOTES
A	36764553	TUBE ASM., OIL INJECTION	1	
B	35286491	ELBOW	2	
C	35372986	NIPPLE	1	
D	36897353	ELEMENT, FILTER	1	
E	96703012	SCREW, SOC HD M06-1.0 X 20	7	
F	36506442	COVER, BEARING	1	
G	95232115	O-RING	1	
H	96740375	SCREW, SOC HD M08-1.25 X 45	1	
J	96708060	SCREW, SOC HD M08-1.25 X 25	31	
K	95938965	PLUG, HEX 7/16	1	

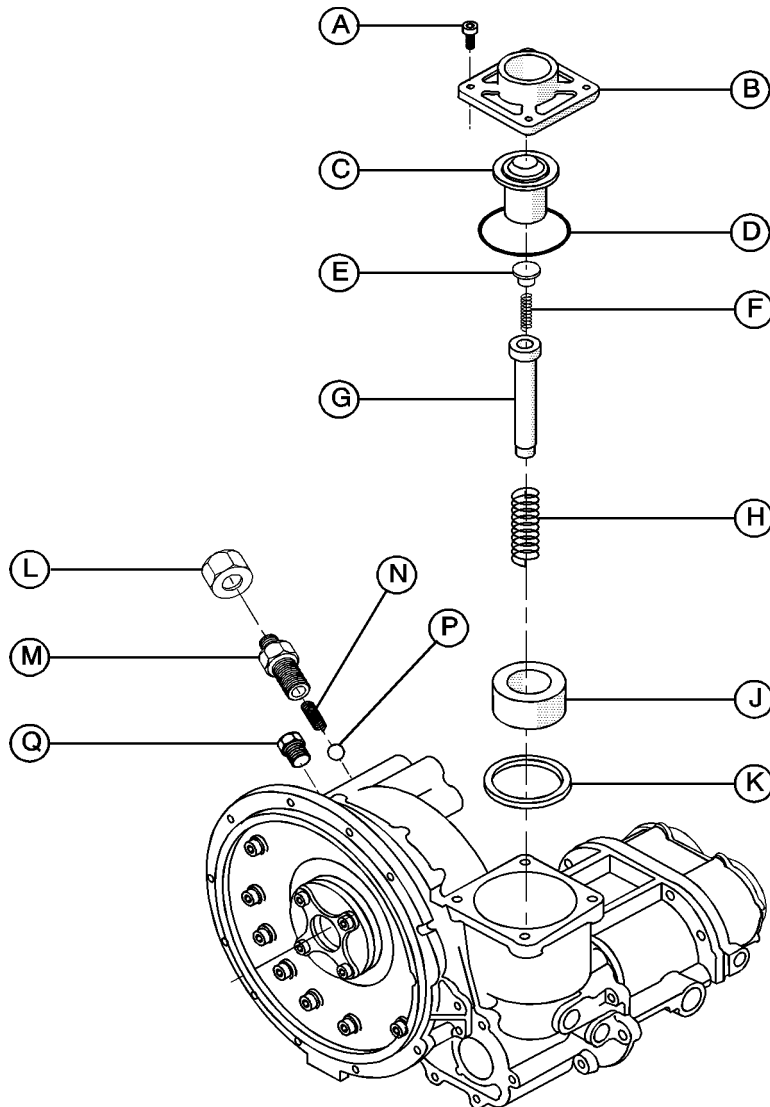
AIR END ASSEMBLY  
AIR END ASSEMBLY



22591986\_13\_04/05\_A

ITEM	COMM. NO.	DESCRIPTION	QTY	DIMENSIONS/NOTES
L	95280541	PLUG, HEX 1.06-12	1	
M	95641734	O-RING	1	
N	39101449	PLUG, SOC HD 3/4	1	
P	35286004	BEARING, BALL	1	
Q	36791689	SCREW, FLANGE LOCK M08-1.25 X 16	2	
R	95094306	WSHER, FLAT	2	
S	95022331	O-RING	1	
T	35375369	SEAL	1	
U	39588413	COVER, SEAL	1	
V	96708037	SCREW, SOC HD M08-1.25 X 16	4	

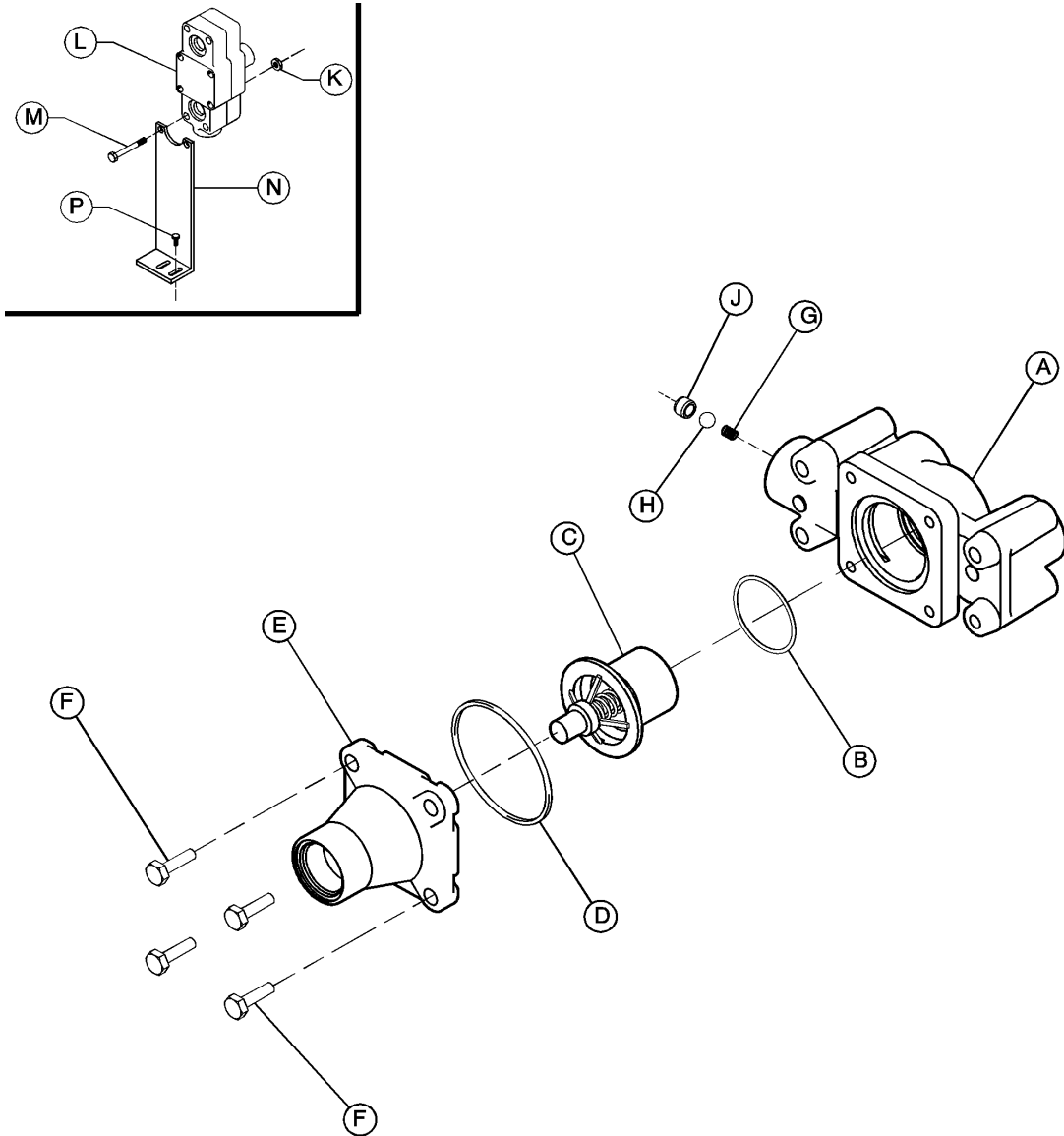
## UNLOADER ASSEMBLY



22591986\_14\_04/05\_A

ITEM	COMM. NO.	DESCRIPTION	QTY	DIMENSIONS/NOTES
A	96708144	SCREW, SOC HD M10-1.50 X 25	4	
B	36508471	COVER, INLET	1	
C	36511623	VALVE, UNLOADER	1	
D	95023107	O-RING	1	
E	35379817	CAP, SPRING	1	
F	35376342	SPRING	1	
G	35611557	STEM	1	
H	35376334	SPRING	1	
J	35611615	PISTON	1	
K	35376359	SEAL	1	
L	95257333	CAP	1	
M	35612175	CONNECTOR	1	
N	35376326	SPRING	1	
P	35376318	BALL	1	
Q	95280541	PLUG, HEX 1.06-12	1	

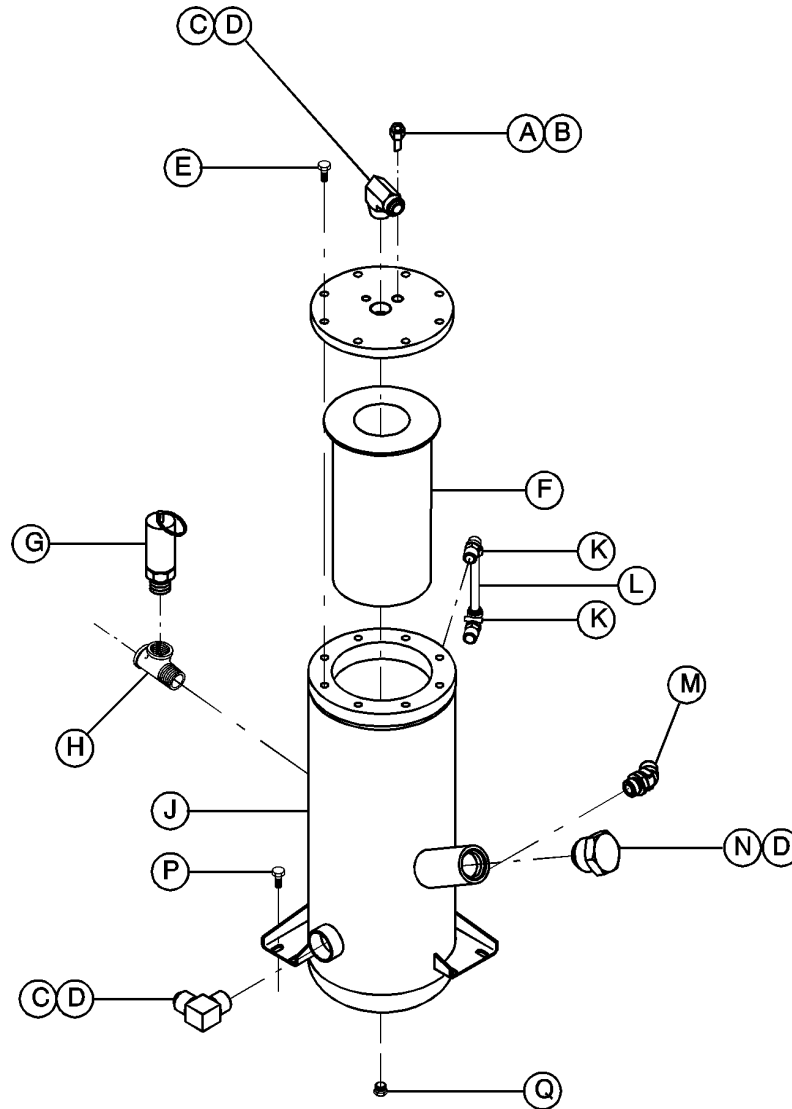
OIL TEMPERATURE BY-PASS VALVE  
OIL TEMPERATURE BY-PASS VALVE



22591986\_15\_04/05\_A

ITEM	COMM. NO.	DESCRIPTION	QTY	DIMENSIONS/NOTES
A	54411640	HOUSING, O T B V	1	
B	36788172	SEAL, U-TYPE VITON	1	
C	36782019	ELEMENT, 125o - 145o F	1	
D	95022307	O-RING	1	
E	36765832	COVER	1	
F	96702659	SCREW, HEX M08-1.25 X 25	4	
G	35379940	SPRING	1	
H	35288448	BALL	1	
J	54414677	ORIFICE, OIL	1	
K	36881886	NUT, HEX FLANGE M08-1.25	2	
L	54411665	OIL TEMPERATURE BY-PASS VAVLE	1	
M	96718978	SCREW, HEX M08-1.25 X 80	2	
N	36880755	BRACKET, BYPASS VALVE	1	
P	35279025	SCREW, TAPPING M08-1.25 X 20	2	

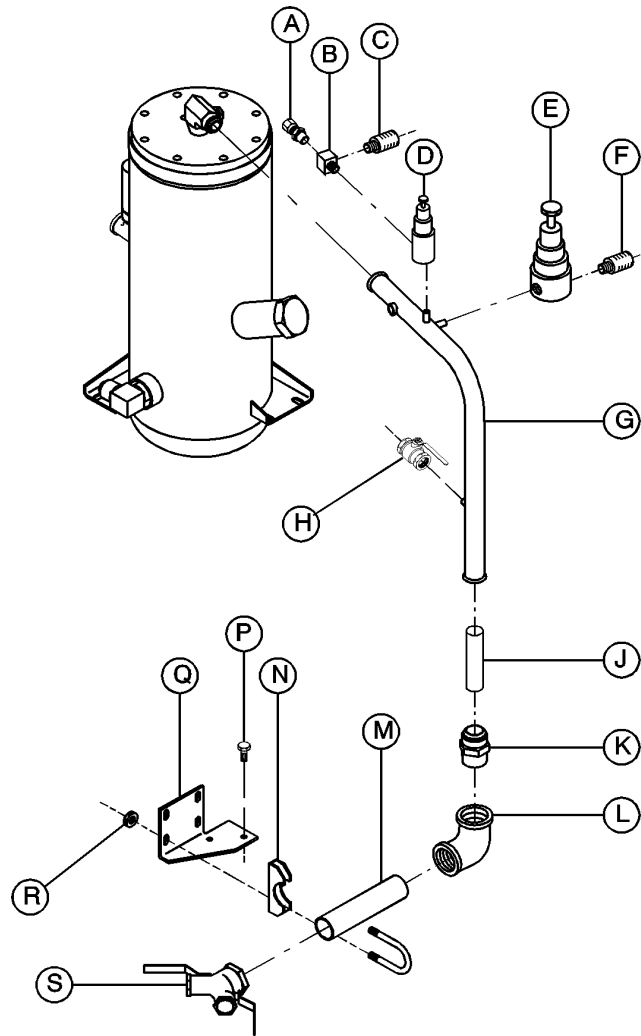
## SEPARATOR TANK COMPLETE



22591986\_16\_04/05\_A

ITEM	COMM. NO.	DESCRIPTION	QTY	DIMENSIONS/NOTES
A	22186381	ADAPTER, OIL SCAVANGE	1	
B	36840437	VALVE, CHECK	1	
C	35279777	ELBOW, 90 X 1 5/8-12	2	
D	35279942	O-RING	3	
E	36877793	SCREW, HEX FLANGE HD M12	8	
F	54625942	ELEMENT, SEPARATOR	1	
G	35325166	VALVE, SAFETY	1	
H	95944708	TEE, STREET 1/2 NPT	1	
J	22158554	TANK, SEPARATOR	1	
K	54627799	ELBOW, SIGHT TUBE	2	
L	22248454	TUBE, SIGHT GAUGE	1	
M	35294727	ELBOW, 45	1	
N	35579630	PLUG, 1 5/8	1	
P	35279025	SCREW, TAPPING M08-1.25 X 20	4	
Q	95280541	PLUG, HEX 1.06-12	1	

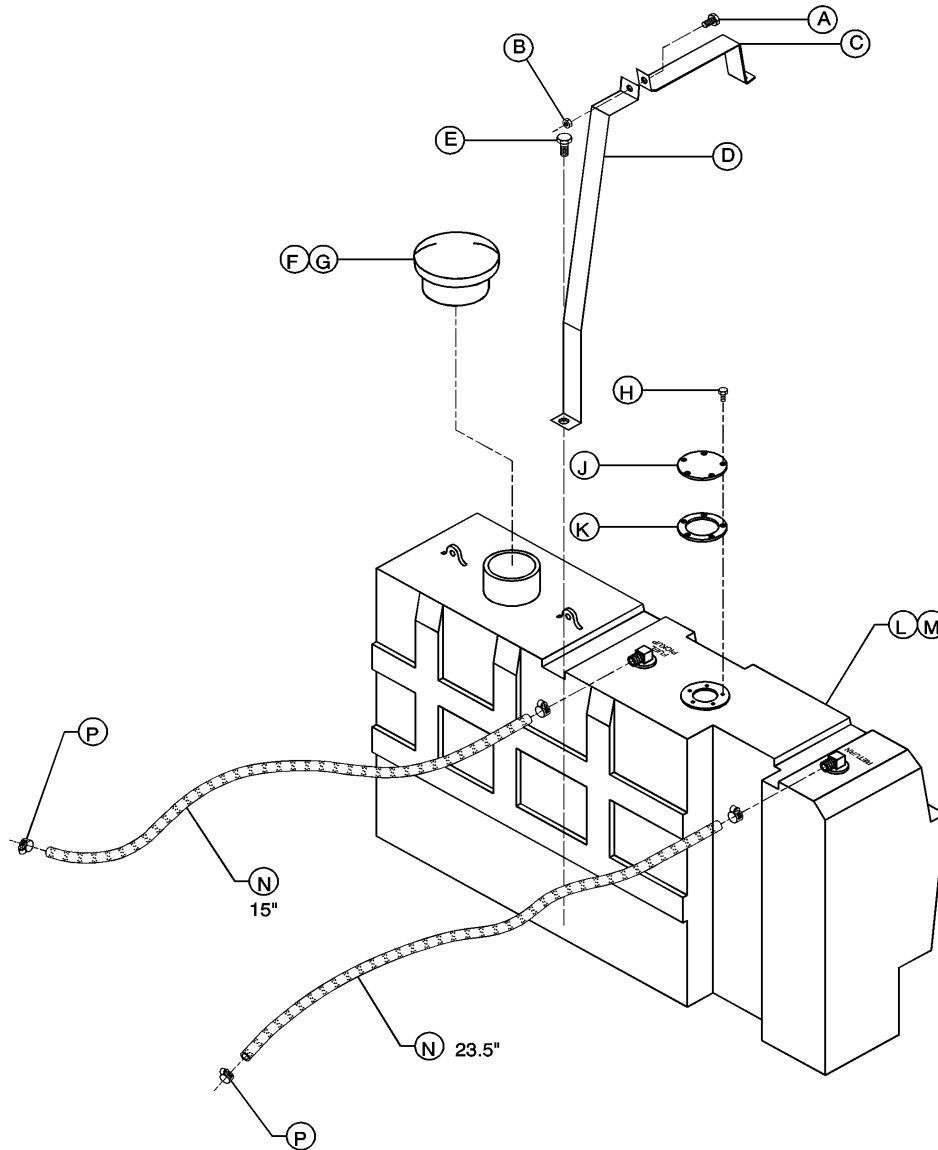
AIR SERVICE COMPLETE  
AIR SERVICE COMPLETE



22591986\_17\_04/05\_A

ITEM	COMM. NO.	DESCRIPTION	QTY	DIMENSIONS/NOTES
A	35369347	CONNECTOR, MALE 1/4 NPT X 3/8 TUBE	1	
B	35114545	TEE, STREET 1/4 NPT	1	
C	36766756	ORIFICE, .140 MUFFLER	1	
D	36854149	VALVE, PRESSURE REGULATOR	1	RPR KIT 35387919
E	35322379	VALVE, BLOWDOWN	1	RPR KIT 35379064
F	36766772	ORIFICE, .062 MUFFLER	1	
G	22234884	TUBE, SERVICE	1	
H	35324839	VALVE, BALL	1	
J	36921377	NOZZLE, .395 SONIC ORIFICE	1	
K	95219770	ADAPTER, 1 1/4	1	
L	95953378	ELBOW, 1 1/4 NPT	1	
M	95944542	NIPPLE, LONG 1.25 X 7"	1	
N	36785277	CLAMP, SADDLE 1 5/8	2	
P	35279025	SCREW, TAPPING M08-1.25 X 20	2	
Q	22226617	BRACKET, SERVICE PIPE	1	
R	95923314	NUT, HEX LOCK 5/16-18	4	
S	36881076	VALVE, WYE	1	

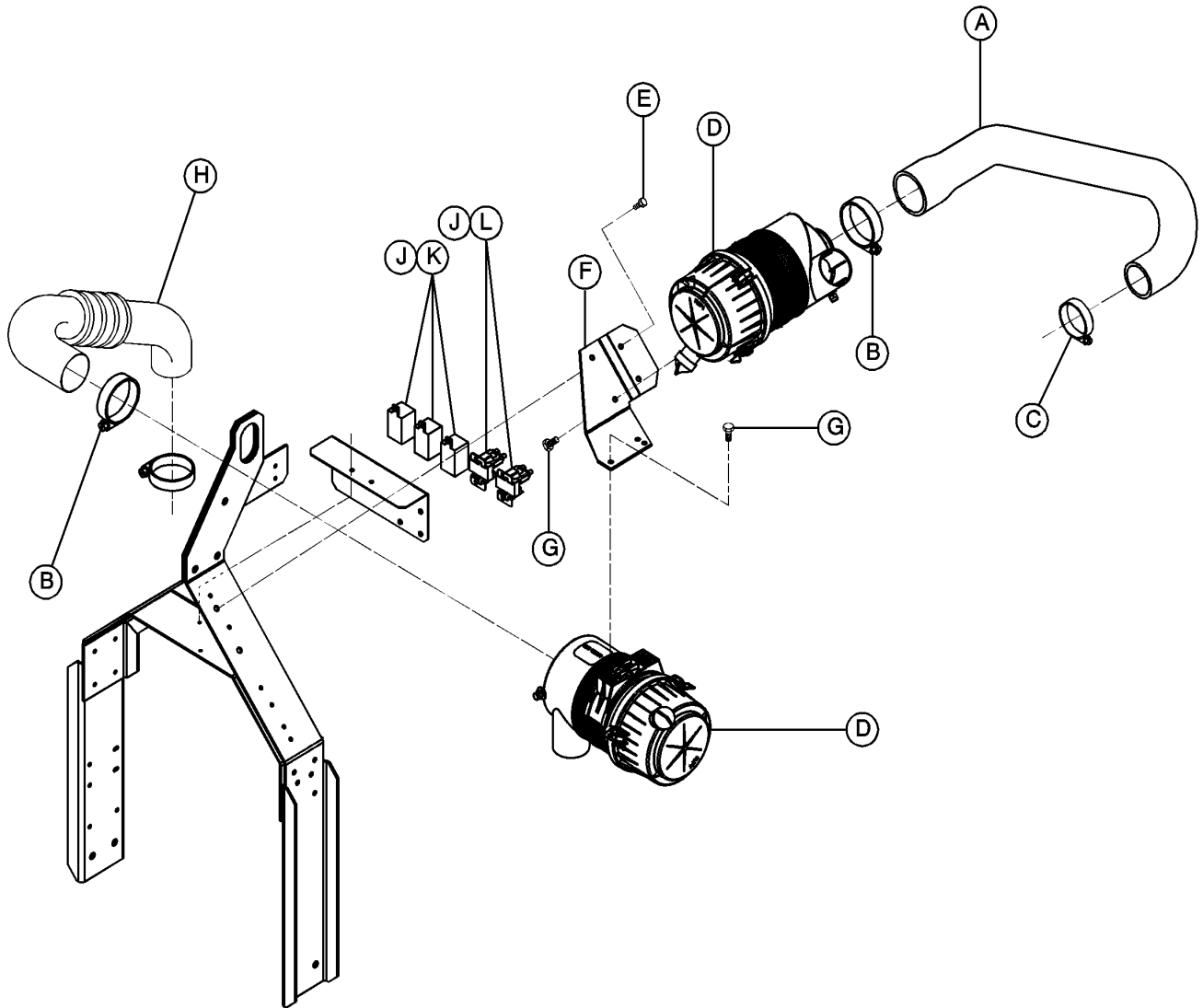
## FUEL TANK COMPLETE



22591986\_18\_04/05\_A

ITEM	COMM. NO.	DESCRIPTION	QTY	DIMENSIONS/NOTES
A	35271170	SCREW, TAPPING M08-1.25 X 40	1	
B	35278530	NUT, HEX NYLOC M08	1	
C	36884245	STRAP, HOLD DOWN EXTERIOR	1	
D	22247951	STRAP, HOLD DOWN INTERIOR	1	
E	35279025	SCREW, TAPPING M08-1.25 X 20	1	
F	36859049	CAP, FUEL TANK	1	
G	36385111	GASKET, FUEL CAP	1	
H	95946532	SCREW, HEX #10-32 X 1/2"	5	
J	36792828	COVER, FUEL SENDER	1	
K	35361849	GASKET, FUEL SENDER	1	
L	36881100	TANK, FUEL	1	
M	35384577	BUSHING	2	INCLUDED ITEM L
N	35363498	HOSE, 5/16" FUEL	~	SEE LENGTHS ABOVE
P	35296342	CLAMP, WORM GEAR	4	

AIR INTAKE FILTERS and RELAYS  
 AIR INTAKE FILTERS and RELAYS

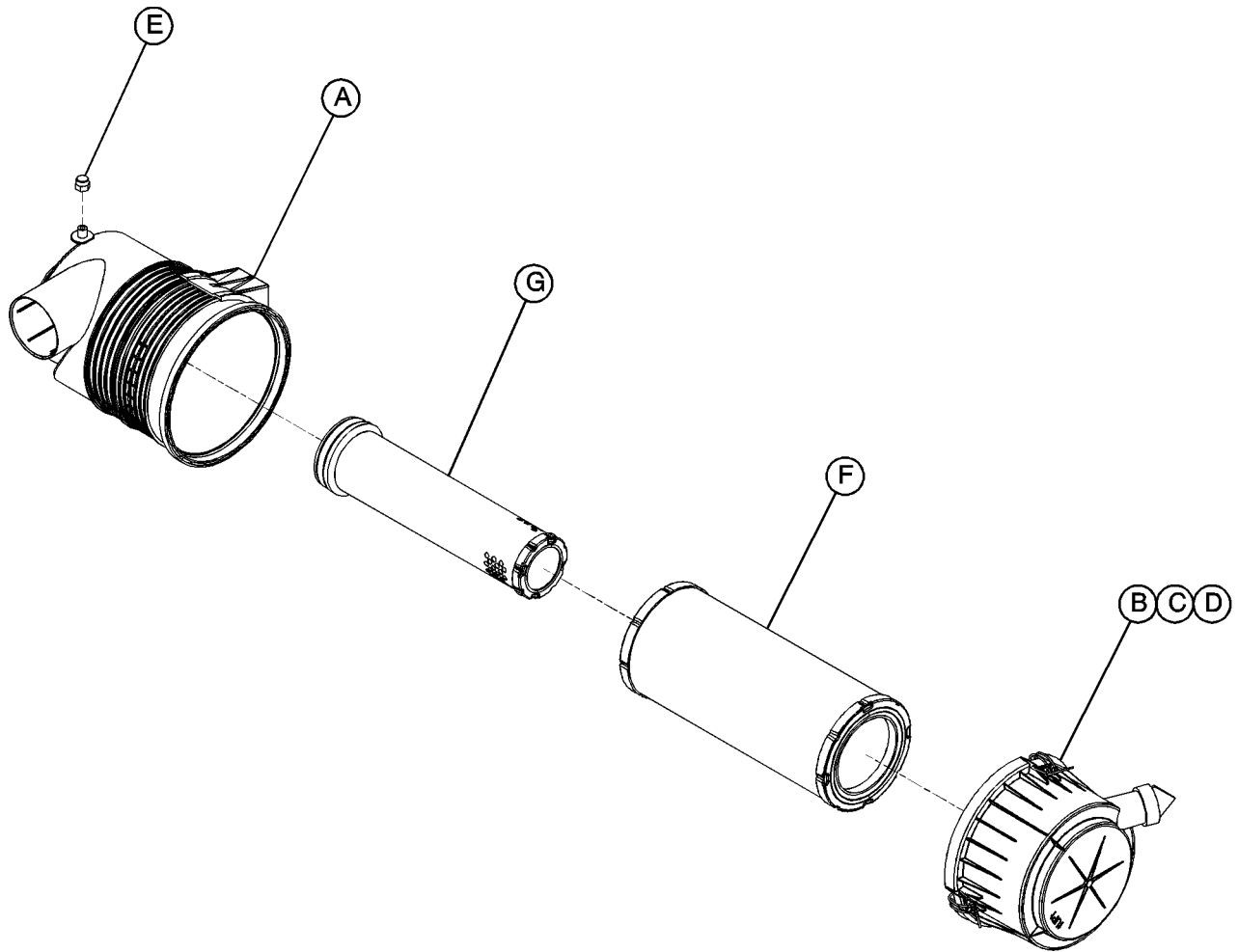


22591986\_19\_04/05\_A

ITEM	COMM. NO.	DESCRIPTION	QTY	DIMENSIONS/NOTES
A	22311146	HOSE, ENGINE INTAKE	1	
B	35374073	CLAMP, T 3.62"	3	
C	35295773	CLAMP, T 2.25"	1	
D	36897999	CLEANER ASM., AIR	2	
E	35279025	SCREW, TAPPING M08-1.25 X 20	2	
F	36897965	BRACKET, AIR CLEANER	1	
G	96702048	SCREW, HEX M08-1.25 X 16	4	
H	36880912	HOSE, AIREND INTAKE	1	
J	36797652	SCREW, TAPPING M06-1.0 X 12	12	
K	36878361	RELAY	3	
L	36856250	RELAY	2	



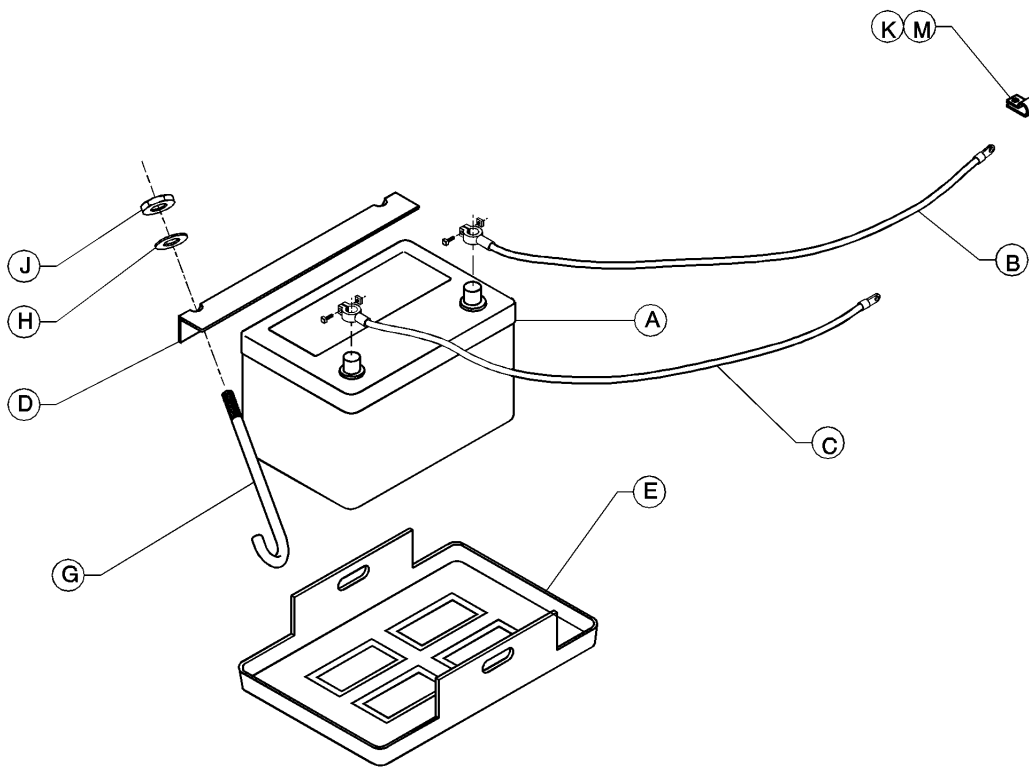
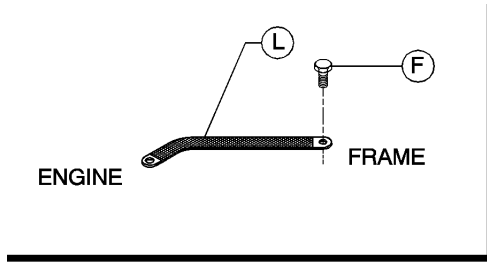
## AIR CLEANER ASSEMBLY



22591986\_20\_04/05\_A

ITEM	COMM. NO.	DESCRIPTION	QTY	DIMENSIONS/NOTES
A	35393701	BODY, AIR CLEANER	1	
B	35393693	COVER, AIR CLEANER	1	
C	35393669	CLIP, RETAINING	3	
D	35393677	VALVE, DUST EJECTOR	1	
E	35393719	PLUG, CAP	1	
F	35393685	ELEMENT, PRIMARY	1	
G	35393651	ELEMENT, SAFETY	1	OPTIONAL

BATTERY  
BATTERY

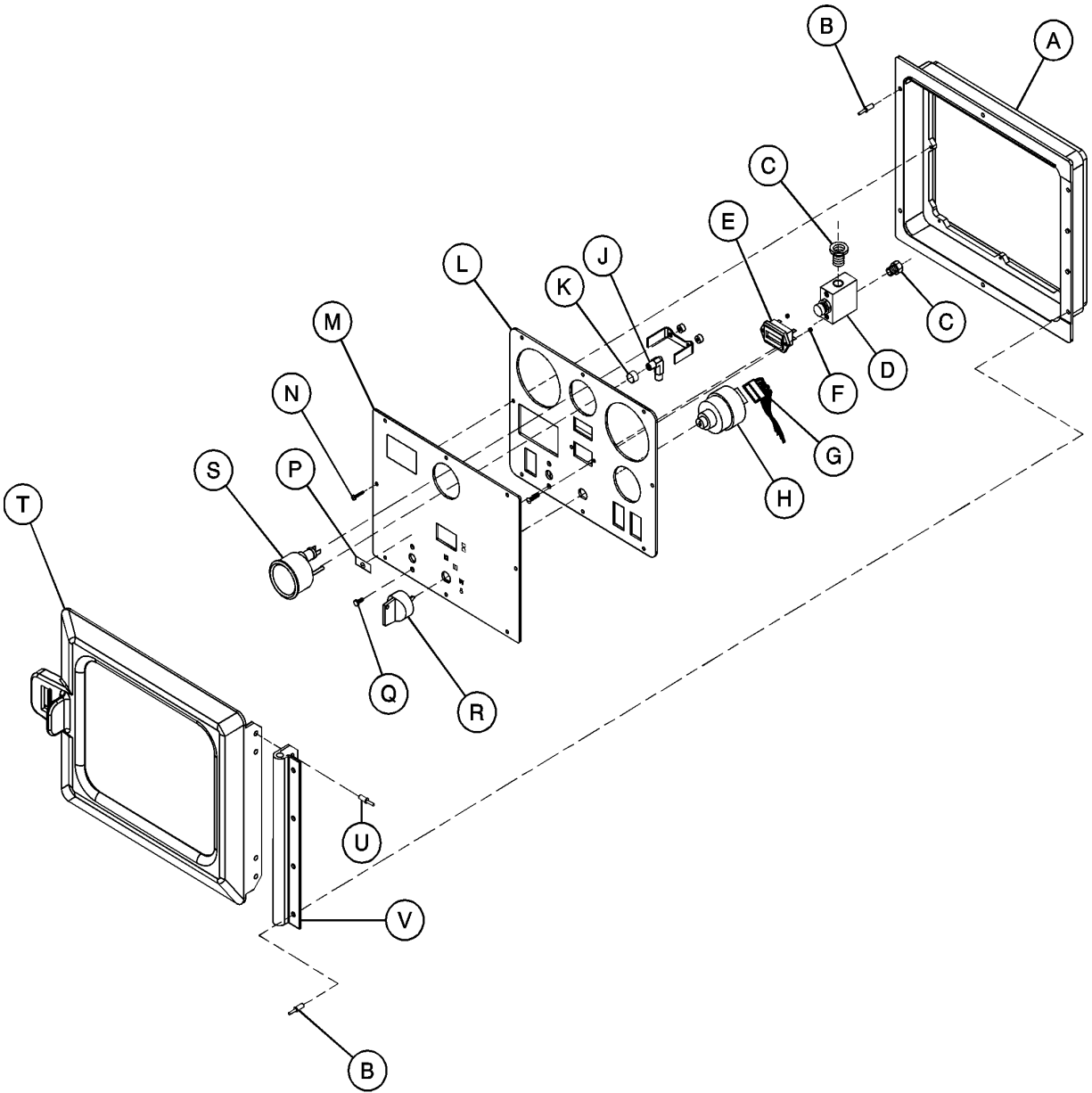


22591986\_21\_04/05\_A

ITEM	COMM. NO.	DESCRIPTION	QTY	DIMENSIONS/NOTES
A	36844264	BATTERY	1	
B	35512425	CABLE, POSITIVE BATTERY	1	
C	35506419	CABLE, NEGATIVE BATTERY	1	
D	36853257	ANGLE	1	
E	36878064	TRAY, BATTERY	1	
F	35130293	SCREW, TAPPING 38-16 X 3/4"	1	
G	36860005	J-BOLT	2	
H	36853265	WASHER, PLASTIC	2	
J	95923298	NUT, LOCK 1/4-20	2	
K	35225093	CLAMP, 1/2" SUPPORT	2	
L	36783488	STRAP, GROUND	1	
M	35279025	SCREW, TAPPING M08-1.25 X 20	2	



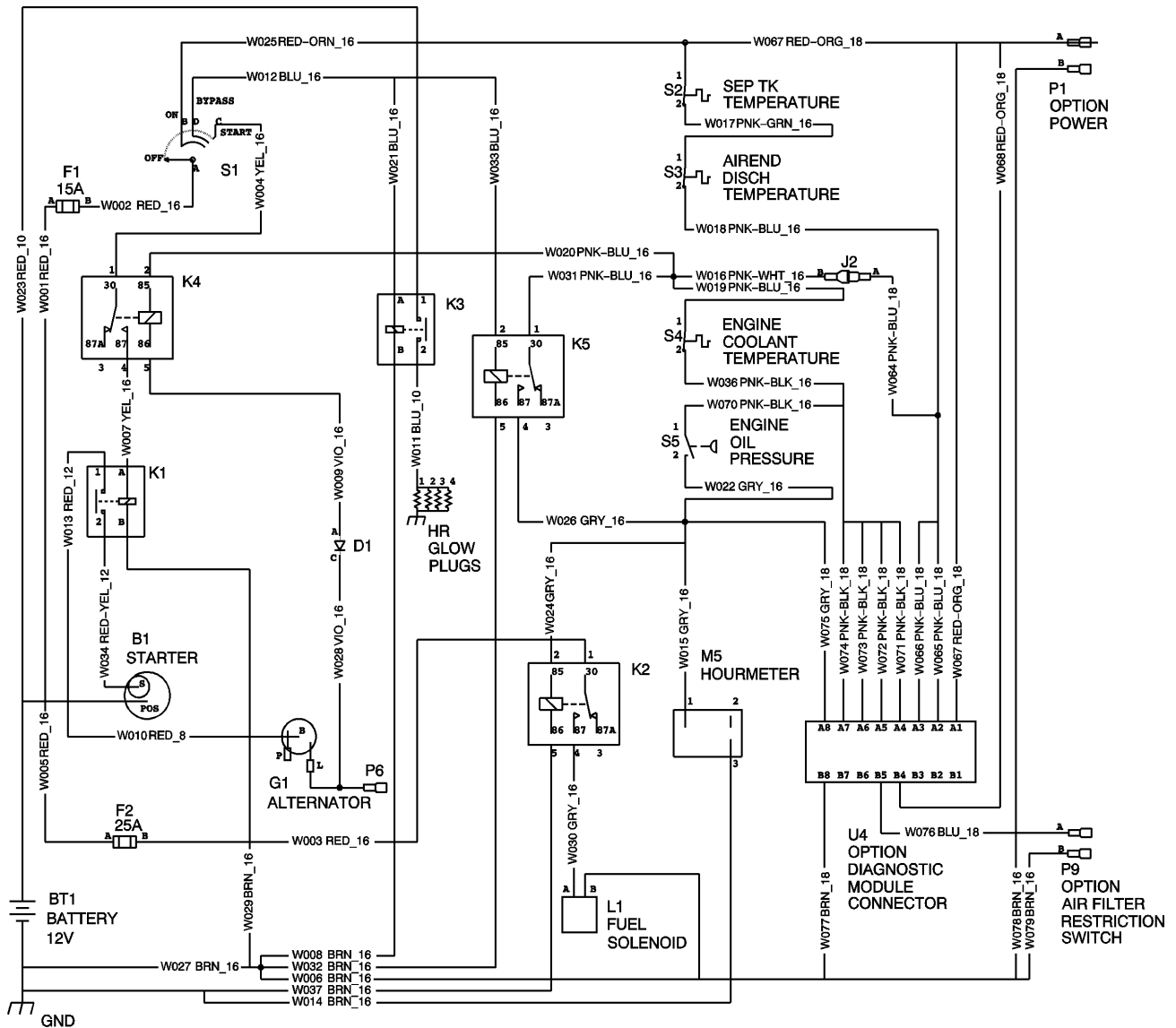
INSTRUMENT PANEL ASSEMBLY  
INSTRUMENT PANEL ASSEMBLY



22591986\_22\_04/05\_A

ITEM	COMM. NO.	DESCRIPTION	QTY	DIMENSIONS/NOTES
M	22171698	DECAL, WW INSTRUMENT PANEL	1	
N	22070494	SCREW, TAPPING PAN HD #8-32 X 5/8	8	
P	54774146	DECAL PUSH AFTER WARM UP	1	
Q	22090898	SCREW, PAN HD M06-1.0 X 16	2	
R	22134118	KNOB SWITCH ASSEMBLY	1	
S	35604065	GAUGE, PRESSURE 150 PSI	1	
T	54482500	DOOR, INSTRUMENT PANEL	1	STANDARD PAINT
	54729199	DOOR, INSTRUMENT PANEL	1	SPECIAL PAINT
U	54721220	RIVET, 3/16" ALUMINUM	4	
V	22107478	HINGE, CONTROL PANEL SPRING	1	

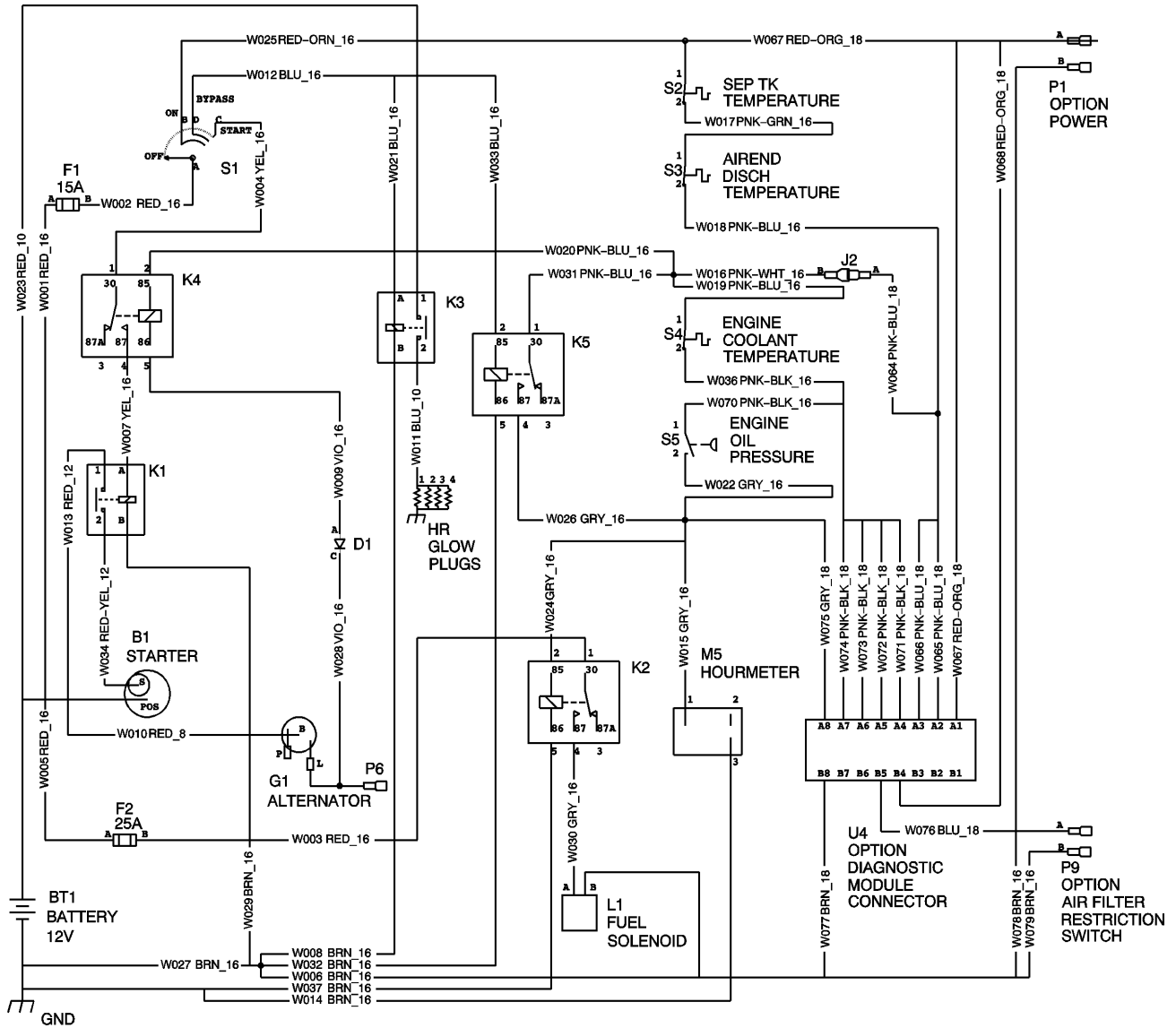
# WIRING DIAGRAM



22591986\_23\_04/05\_A

ITEM	COMM. NO.	DESCRIPTION	QTY	DIMENSIONS/NOTES
B1	22607519	STARTER	1	
BT1	36844264	BATTERY	1	
F1	36782464	FUSE, 15A	1	
F2	36793651	FUSE, 25A	1	
D1	35676169	DIODE	1	
G1	22607576	ALTERNATOR	1	
HR1	22607634	GLOW PLUG	1	
HR2	22607634	GLOW PLUG	1	
HR3	22607634	GLOW PLUG	1	
HR4	22607634	GLOW PLUG	1	
K1	36856250	RELAY	1	
K2	36878361	RELAY	1	

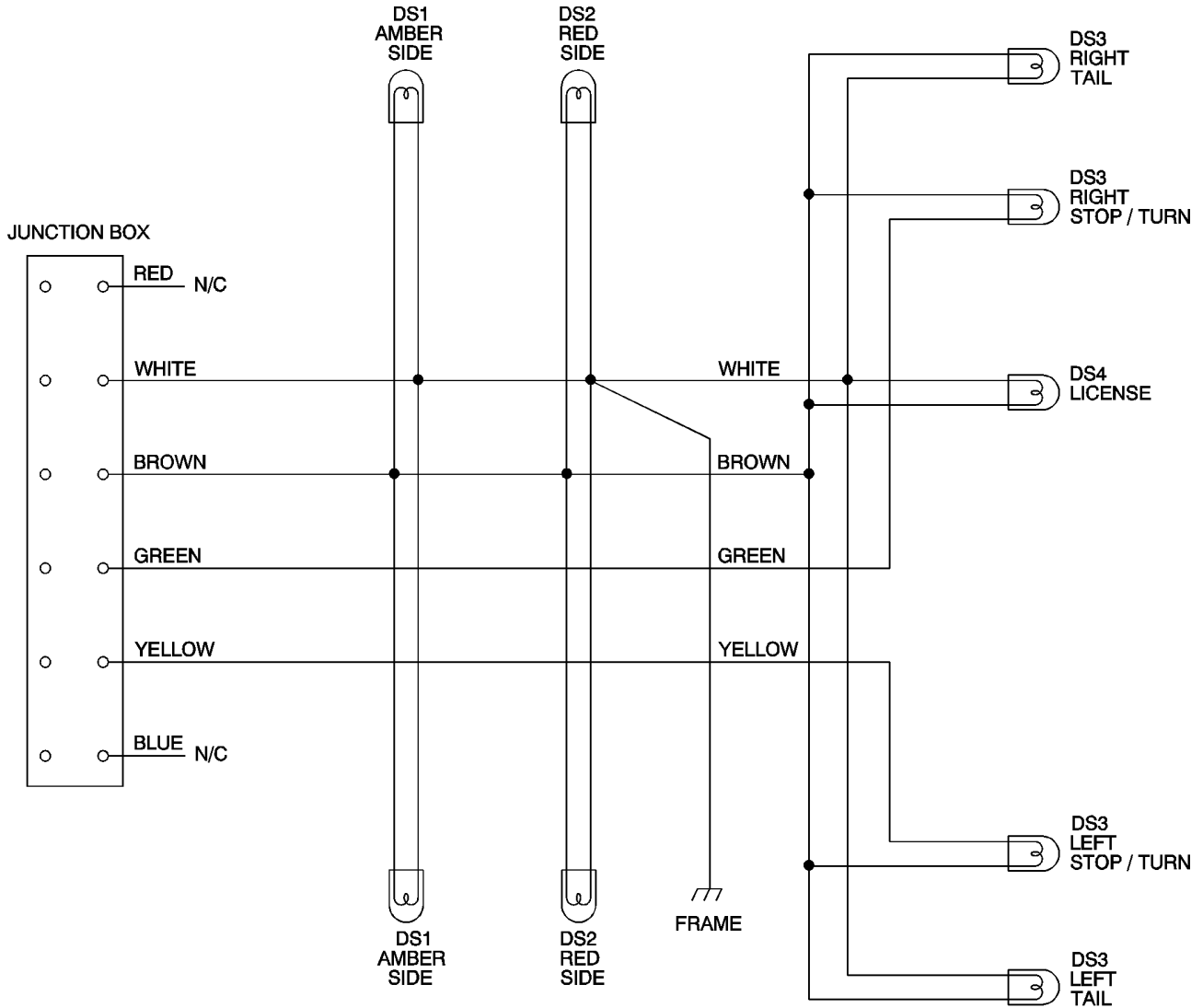
WIRING DIAGRAM  
WIRING DIAGRAM



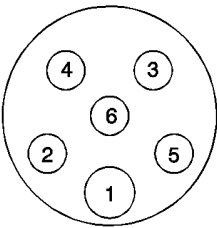
22591986\_23\_04/05\_A

ITEM	COMM. NO.	DESCRIPTION	QTY	DIMENSIONS/NOTES
K3	36856250	RELAY	1	
K4	36878361	RELAY	1	
K5	36878361	RELAY	1	
L1	22607758	SOLENOID, FUEL	1	
M5	22054175	HOURMETER, ELEC/MECH	1	
S1	22127385	SWITCH, START	1	
	22134118	KNOB SWITCH ASSEMBLY	1	
S2	36865756	SWITCH, AIR END HIGH AIR TEMPERATURE	1	
S3	35596436	SWITCH, DISCHARGE AIR TEMPERATURE	1	
S4	22489942	SWITCH, HIGH ENGINE TEMPERATURE	1	
S5	36878379	SWITCH, ENGINE OIL PRESSURE	1	
W1	22432967	HARNESS, ENGINE CONTROL	1	

### TAIL LIGHT WIRING DIAGRAM



**PLUG / SOCKET WIRING CONNECTIONS**



- 1 WHITE - GROUND
- 2 YELLOW - LEFT STOP/TURN SIGNAL
- 3
- 4 GREEN - RIGHT STOP/TURN SIGNAL
- 5 BROWN - TAIL / CLEARANCE LIGHTS
- 6 BLUE - ELECTRIC BRAKES

22591986\_24\_04/05\_A

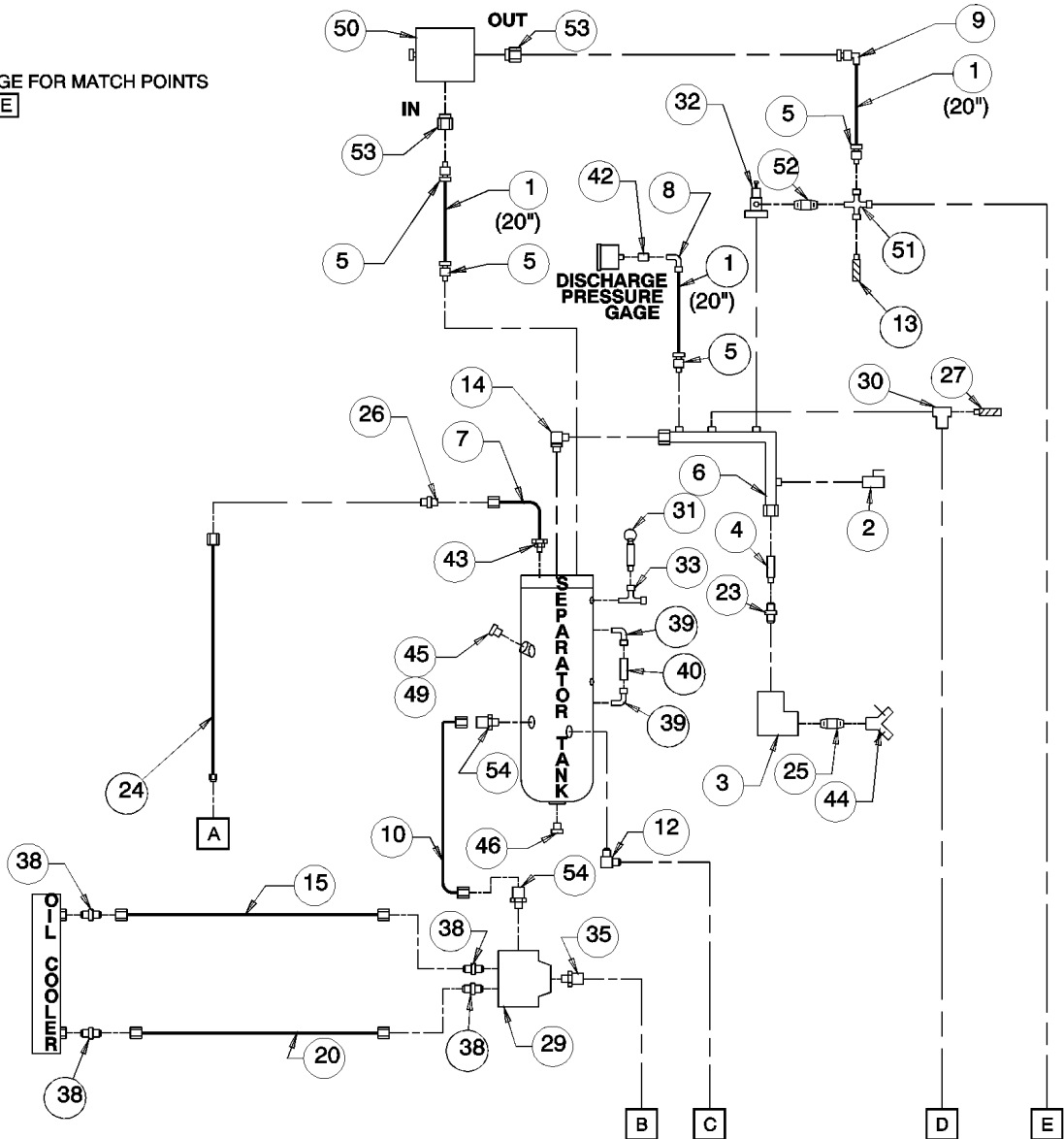
ITEM	COMM. NO.	DESCRIPTION	QTY	DIMENSIONS/NOTES
DS1	35367051	LIGHT, AMBER SIDE	2	
DS2	35367044	LIGHT, RED SIDE	2	
DS3	36788081	LIGHT, STOP / TAIL	2	
DS4	54726468	LIGHT, LICENSE	1	
W2	36893196	HARNES, LIGHT	1	

AIR and OIL PIPING  
AIR and OIL PIPING

NOTES:

SEE NEXT PAGE FOR MATCH POINTS

A B C D E



22591986\_25\_04/05\_A

ITEM	COMM. NO.	DESCRIPTION	QTY	DIMENSIONS/NOTES
1	35356484	TUBING		
2	35324839	VALVE, BALL		
3	95953378	ELBOW, 90 X 1-1/4 NPT		
4	36921377	NOZZLE, SONIC		
5	35369347	CONNECTOR, STREET		
6	22234884	TUBE, SERVICE		
7	95944666	ELBOW, STREET 1/4 NPT		
8	35370386	ELBOW, 90 X 1/8 NPT X 3/8 TUBE		
9	35369354	ELBOW, 90 X 1/4 NPT X 3/8 TUBE		
10	35287721	HOSE ASM.		
12	35374867	ELBOW, 90 X 1 7/8-12		
13	36766756	MUFFLER, ORIFICE 0.140		
14	35279777	ELBOW, 90 X 1-5/8-12		

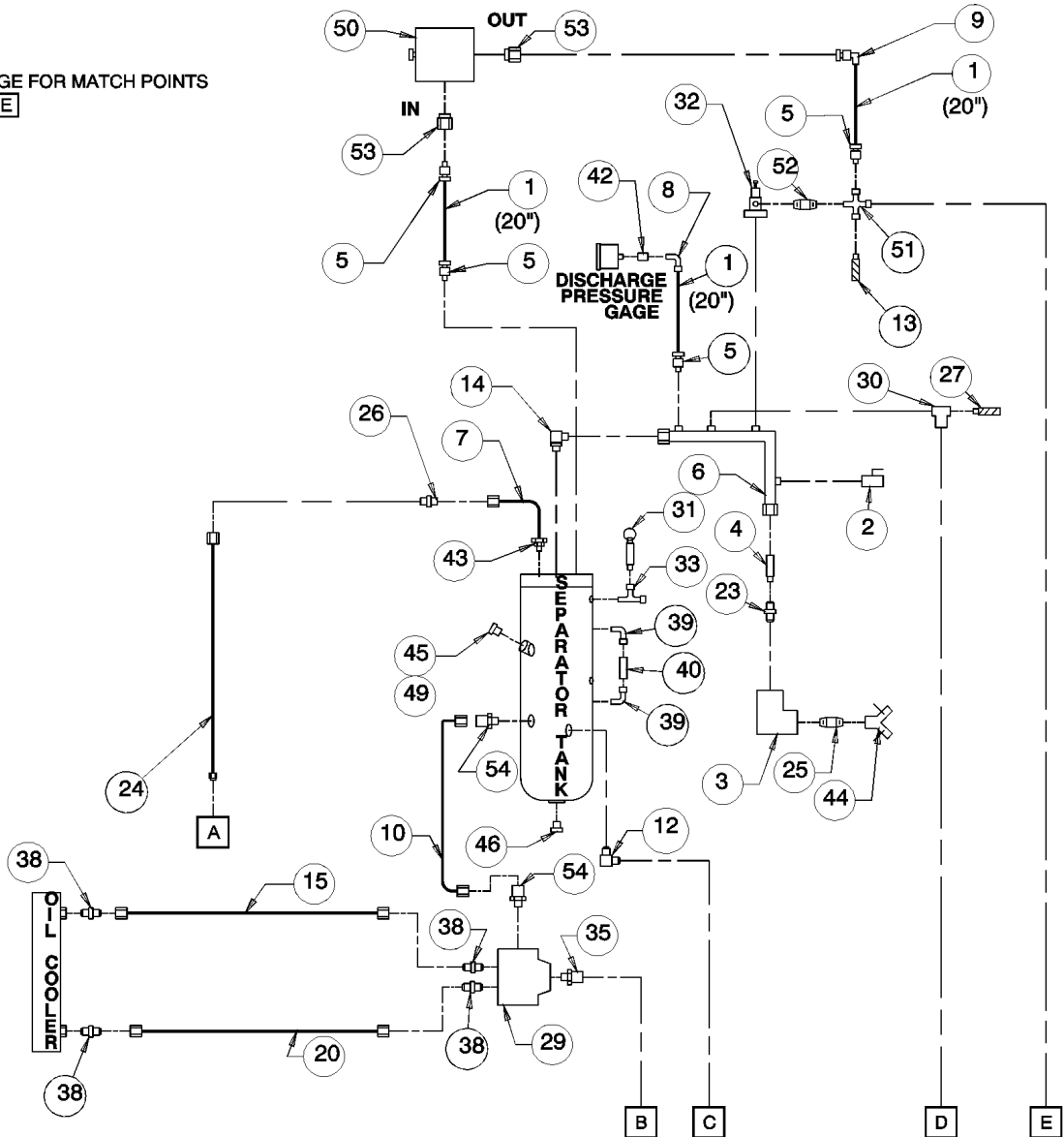


### AIR and OIL PIPING

NOTES:

SEE NEXT PAGE FOR MATCH POINTS

A B C D E



22591986\_25\_04/05\_A

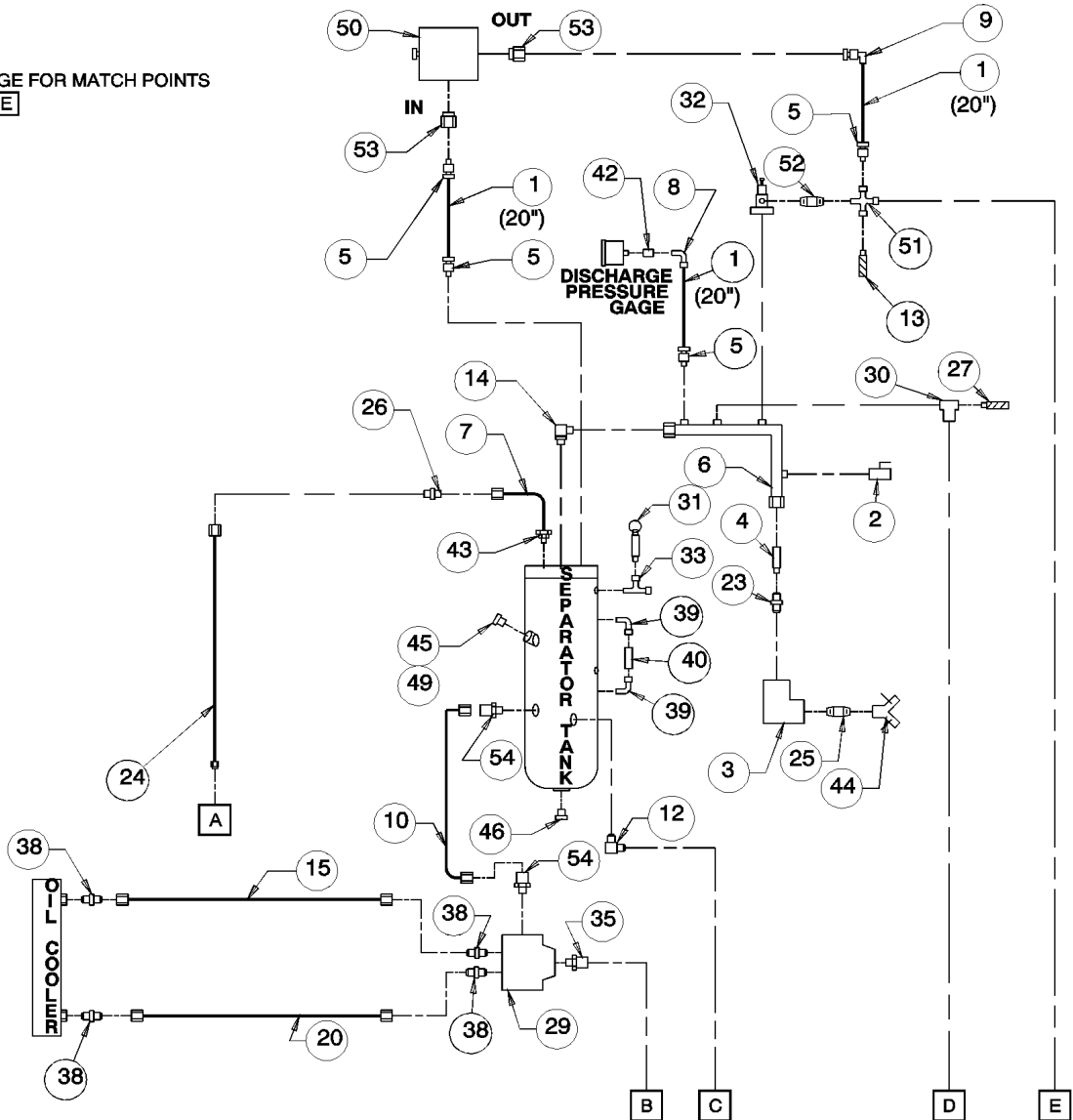
ITEM	COMM. NO.	DESCRIPTION	QTY	DIMENSIONS/NOTES
15	22181150	TUBE ASM., BOTTOM COOLER		
20	22181143	TUBE ASM., TOP COOLER		
23	95219770	CONNECTOR, STREET 1-1/4-12		
24	35315407	HOSE ASM.		
25	95944542	NIPPLE, 1.25 X 7"		
26	36840437	VALVE, ORIFICE / CHECK		
27	36766772	MUFFLER, .062 ORIFICE		
29	54411665	VALVE, BYPASS		
30	35322379	VALVE, BLOWDOWN		RPR KIT 35379064
31	35325166	VALVE, SAFETY		
32	36854149	VALVE, PRESSURE REGULATOR		RPR KIT 35387919
33	95944708	TEE, STREET		
35	35294750	ELBOW, 90 X 1-1/16-12		

AIR and OIL PIPING  
AIR and OIL PIPING

NOTES:

SEE NEXT PAGE FOR MATCH POINTS

A B C D E



22591986\_25\_04/05\_A

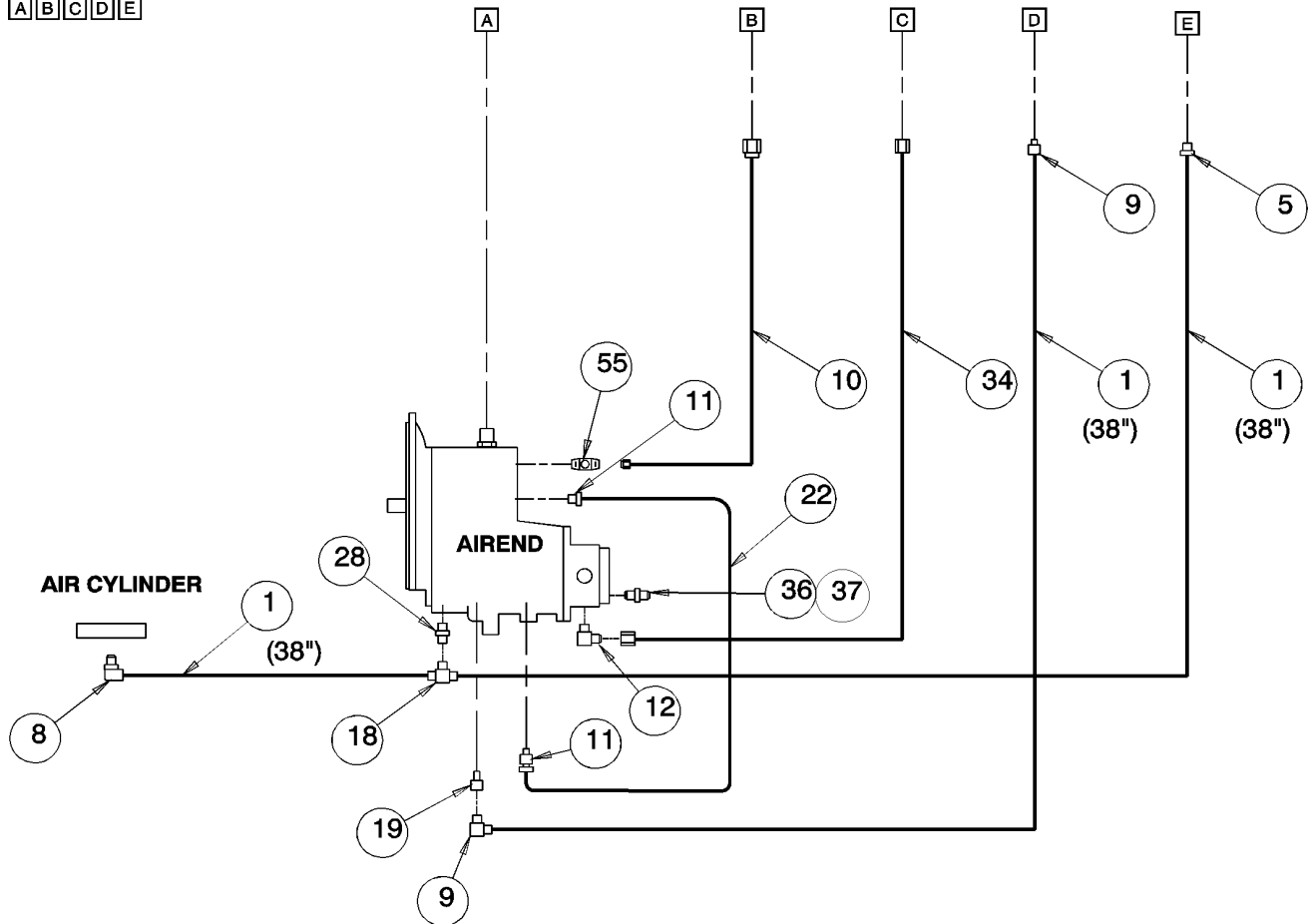
ITEM	COMM. NO.	DESCRIPTION	QTY	DIMENSIONS/NOTES
38	35295880	CONNECTOR, STRAIGHT		
39	54727799	ELBOW, SIGHT TUBE		
40	22248454	TUBE, SIGHT		
42	95930319	COUPLING, 1/8 NPT		
43	22186381	ADAPTER, OIL SCAVANGE		
44	36881076	VALVE, WYE		
45	35579630	PLUG, VENTED 1.62		
46	35664934	PLUG		
49	35279942	O-RING		
50	36783439	VALVE, 2-WAY		
51	95954293	CROSS, 1/4 NPT		
52	95667341	NIPPLE, 1/4 NPT X 7/8"		
53	35302314	ADAPTOR, 9/16 X 1/4 NPT		
54	35294727	ELBOW, 45 X 1 1/16-12 X -12JIC		

## AIR and OIL PIPING

## NOTES:

SEE PREVIOUS PAGE FOR MATCH POINTS

A B C D E



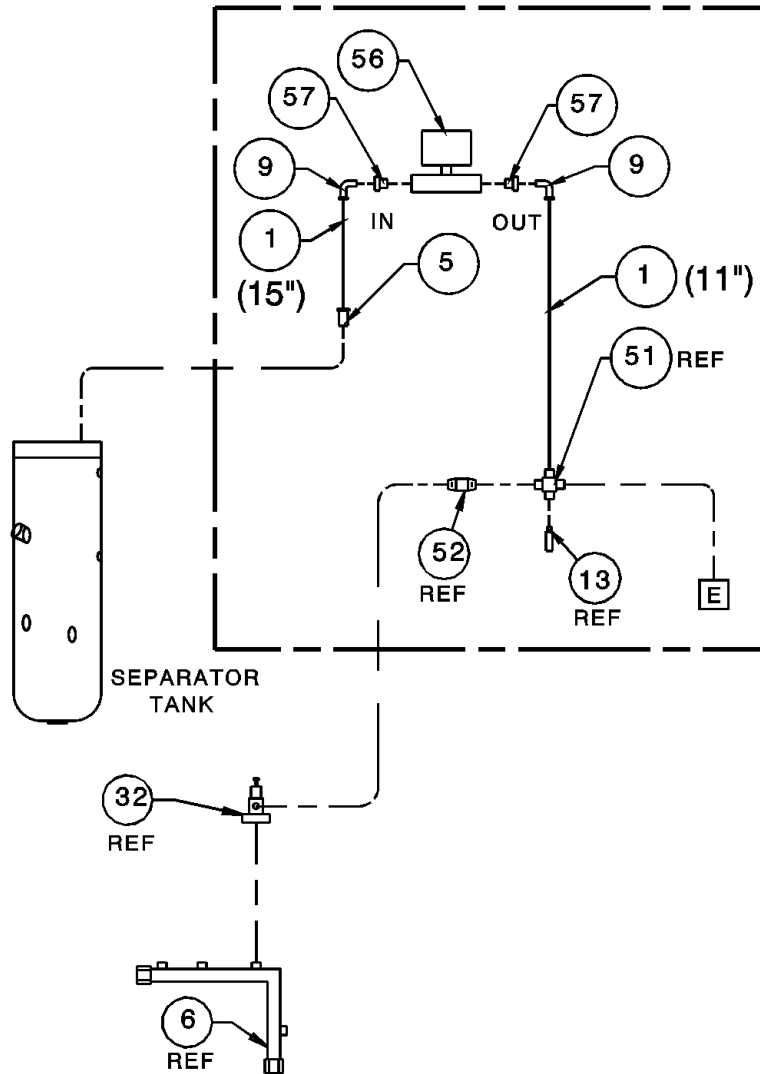
22591986\_26\_04/05\_A

ITEM	COMM. NO.	DESCRIPTION	QTY	DIMENSIONS/NOTES
1	35356484	TUBING		
5	35369347	CONNECTOR, STREET		
8	35370386	ELBOW, 90 X 1/8 NPT X 3/8 TUBE		
9	35369354	ELBOW, 90 X 1/4 NPT X 3/8 TUBE		
10	35287721	HOSE ASM.		
11	35286491	ELBOW, 90 X 7/8-14		
12	35374867	ELBOW, 90 X 1-7/8-12		
18	35369396	TEE, 1/8 NPT		
19	35302314	ADAPTER		
22	36764553	TUBE ASM.		
28	36886992	VALVE, CHECK .078		
34	36886752	HOSE ASM., DISCHARGE		
36	35596436	SWITCH, SHUT DOWN		
37	39404165	O-RING		
55	36885093	ELBOW, LONG 90		

AIR and OIL PIPING OPTIONS  
 AIR and OIL PIPING OPTIONS

NOTES:  
 SEE PREVIOUS PAGE FOR MATCH POINTS  
 E

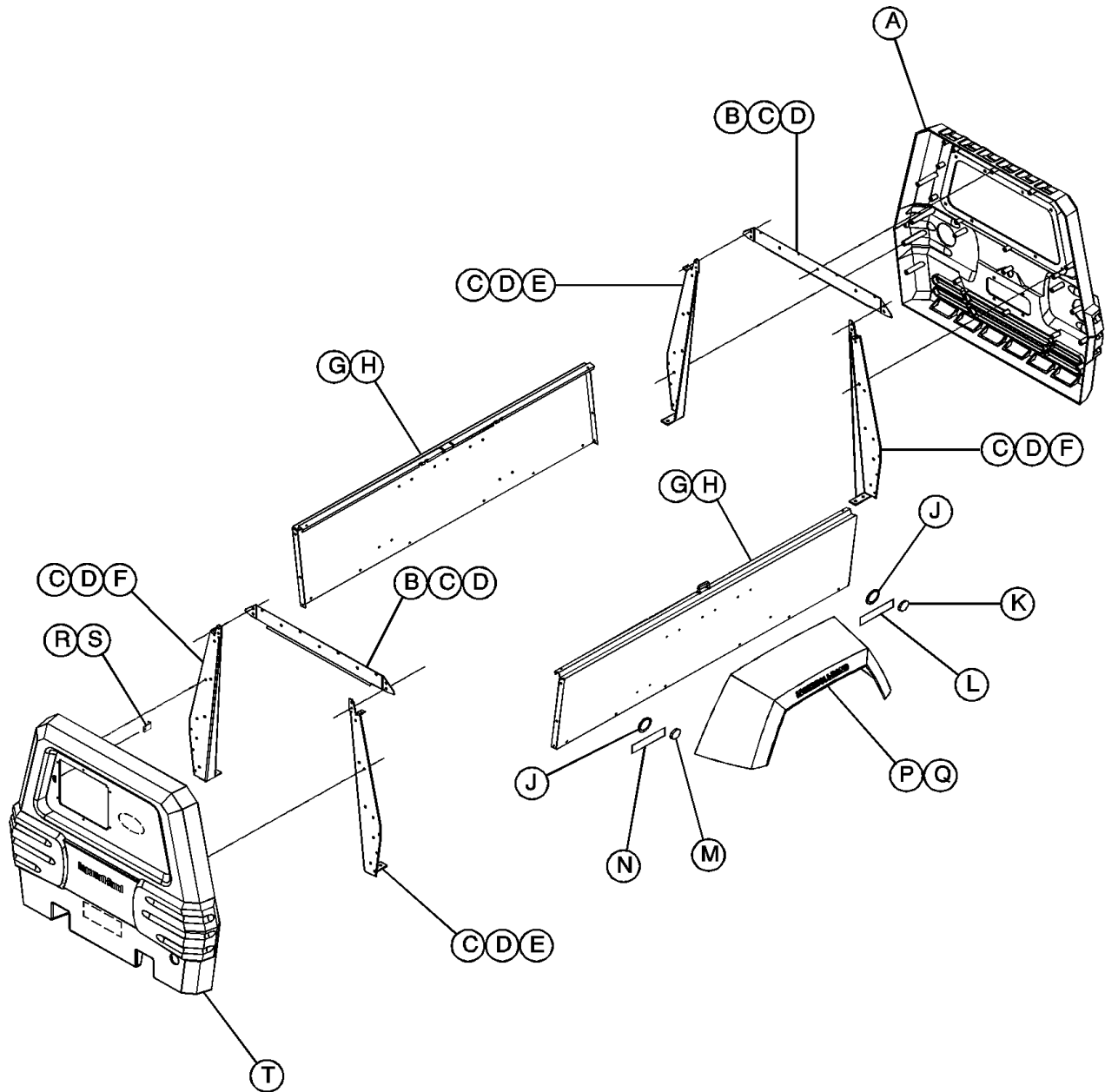
**ELECTRIC  
 START / RUN  
 VALVE  
 OPTION**



22591986\_27\_04/05\_A

ITEM	COMM. NO.	DESCRIPTION	QTY	DIMENSIONS/NOTES
1	35356484	TUBING		
5	35369347	CONNECTOR, STREET		
6	22234884	TUBE, SERVICE		
9	35369354	ELBOW, 90 X 1/4 NPT X 3/8 TUBE		
13	36766756	MUFFLER, ORIFICE 0.140		
32	36854149	VALVE, PRESSURE REGULATOR		
51	95954293	CROSS, 1/4 NPT		
52	95667341	NIPPLE, 1/4 NPT X .88'		
56	36843142	VALVE, SOLENOID 24V		
57	95940748	BUSHING, REDUCING 3/8 NPT X 1/4 NPT		

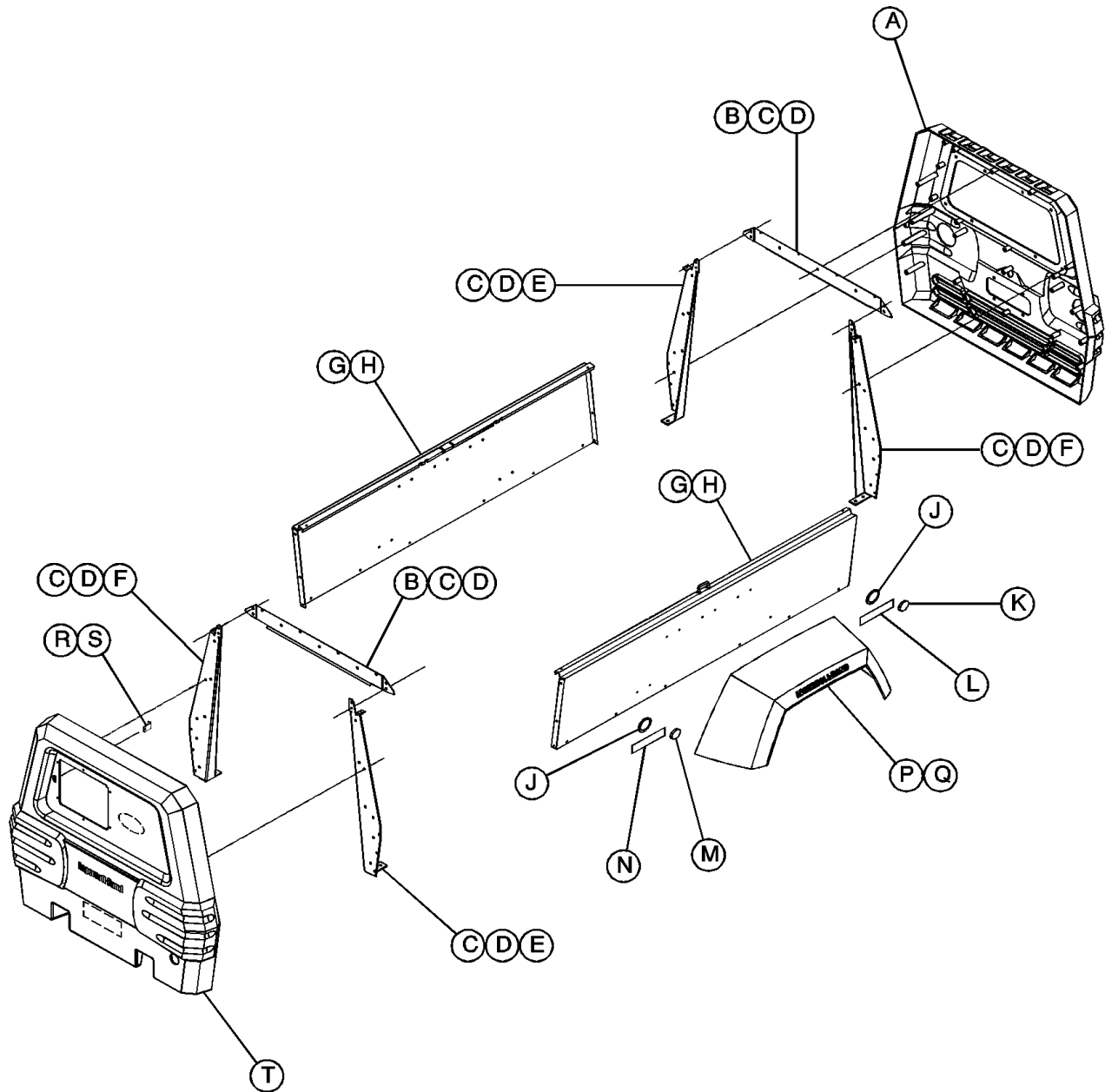
ENCLOSURE COMPLETE



22591986\_28\_04/05\_A

ITEM	COMM. NO.	DESCRIPTION	QTY	DIMENSIONS/NOTES
A	54473525	ENDCAP, REAR	1	STANDARD PAINT
	54729140	ENDCAP, REAR	1	SPECIAL PAINT
B	54602719	CROSSMEMBER, ENDCAP	2	
C	35279025	SCREW, TAPPING M08-1.25 X 20	16	
D	54721238	SCREW, 11/32" HI-LO	22	
E	54631783	STIFFNER, PLASTIC ENDCAP	1	
F	54631775	STIFFNER, PLASTIC ENDCAP	1	
G	36894194	PANEL, SIDE	2	STANDARD
	54529433	PANEL, SIDE	2	GALVANNEAL
H	36797652	SCREW, TAPPING M06-1.0 X 12	12	
J	36893634	GROMMET, CLEARANCE LIGHT	4	

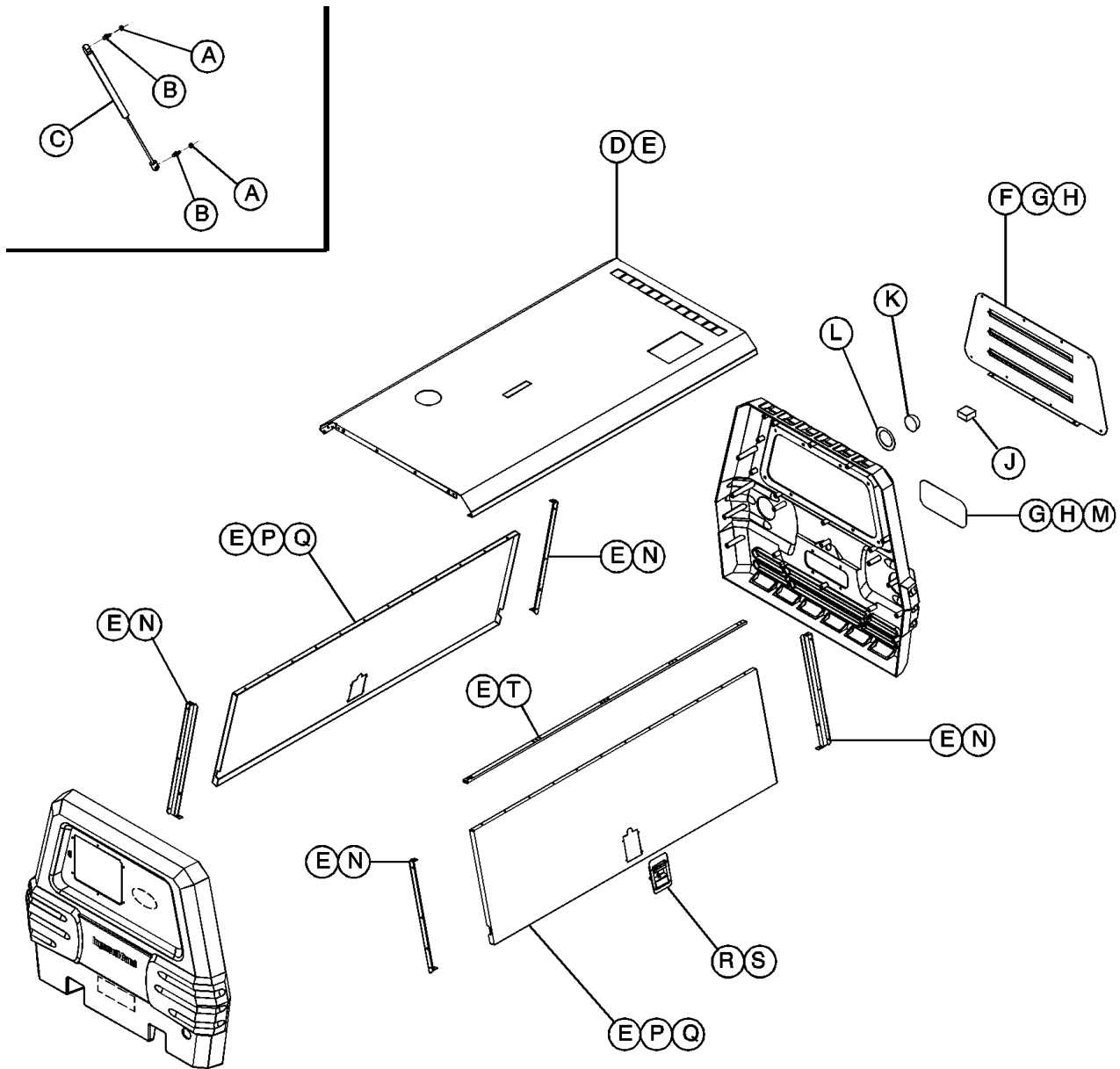
ENCLOSURE COMPLETE  
ENCLOSURE COMPLETE



22591986\_28\_04/05\_A

ITEM	COMM. NO.	DESCRIPTION	QTY	DIMENSIONS/NOTES
K	35367044	LIGHT, RED CLEARANCE	2	
L	36894608	REFLECTOR, RED	2	
M	35367051	LIGHT, YELLOW CLEARANCE	2	
N	36894616	REFLECTOR, AMBER	2	
P	36877579	FENDER	2	
Q	92368687	SCREW, TAPPING M06-1.0 X 14	10	
R	54721212	RIVET, 3/16" ALUMINUM	2	
S	54482518	LATCH, PLASTIC ENDCAP	1	STANDARD PAINT
	54729181	LATCH, PLASTIC ENDCAP	1	SPECIAL PAINT
T	54473517	ENDCAP, FRONT	1	STANDARD PAINT
	54729132	ENDCAP, FRONT	1	SPECIAL PAINT

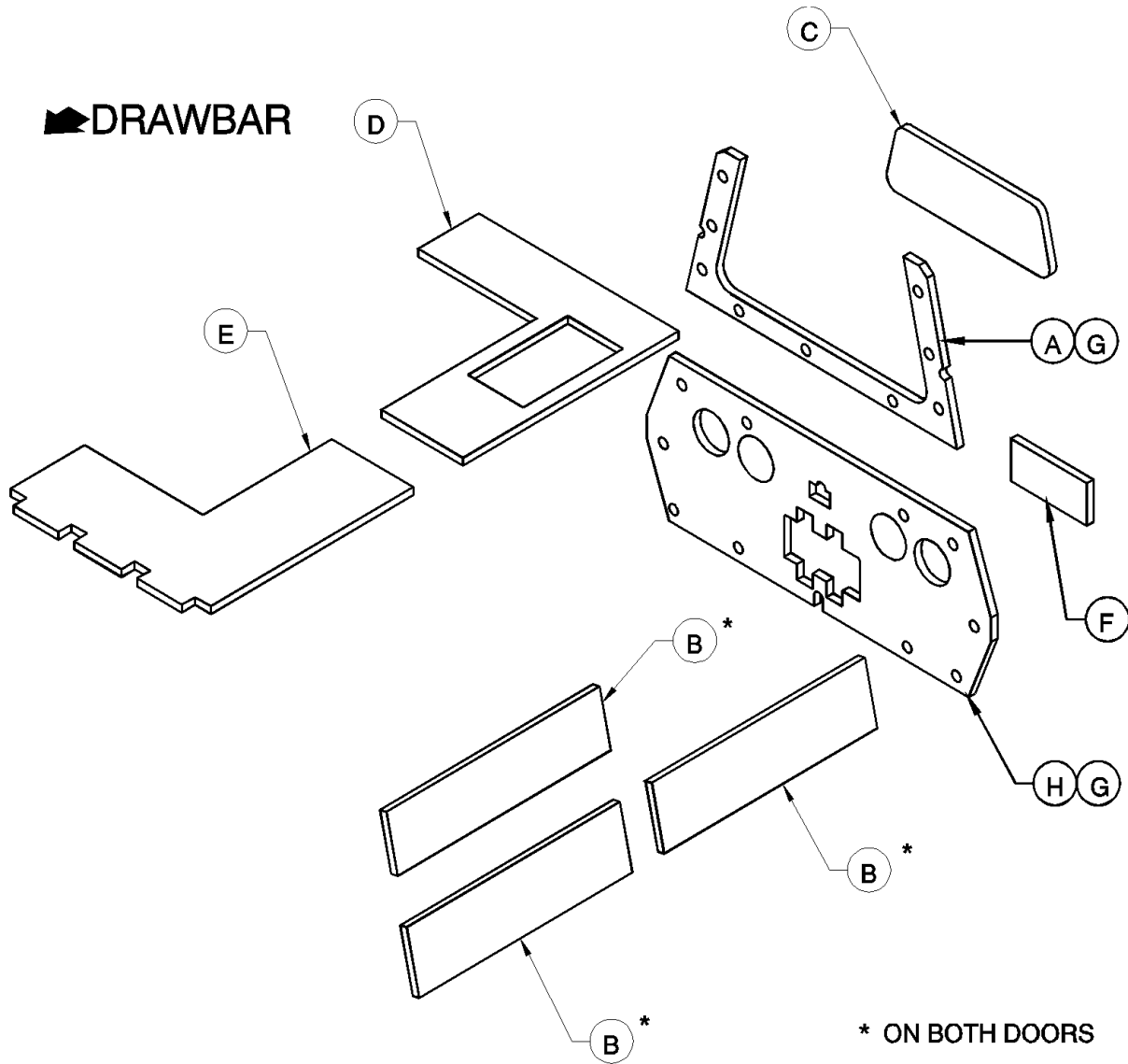
ENCLOSURE COMPLETE



22591986\_29\_04/05\_A

ITEM	COMM. NO.	DESCRIPTION	QTY	DIMENSIONS/NOTES
A	36881886	NUT, HEX FLANGE M08-1.25	8	STANDARD GALVANNEAL
B	35337328	STUD, BALL M08	8	
C	35600287	SPRING, GAS	4	
D	22504591	ROOF	1	
	22632442	ROOF	1	
E	36797652	SCREW, TAPPING M06-1.0 X 12	46	
F	22339691	COVER, COOLER ACCESS	1	
G	54724117	GROMMET, SCREW	12	
H	36885085	SCREW, TAPPING 1/4-10 X .75"	12	
J	54726468	LIGHT, LICENSE	1	
K	36788081	LAMP ASM.	2	

FOAM INSULATION COMPLETE  
FOAM INSULATION COMPLETE

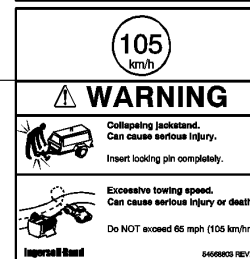
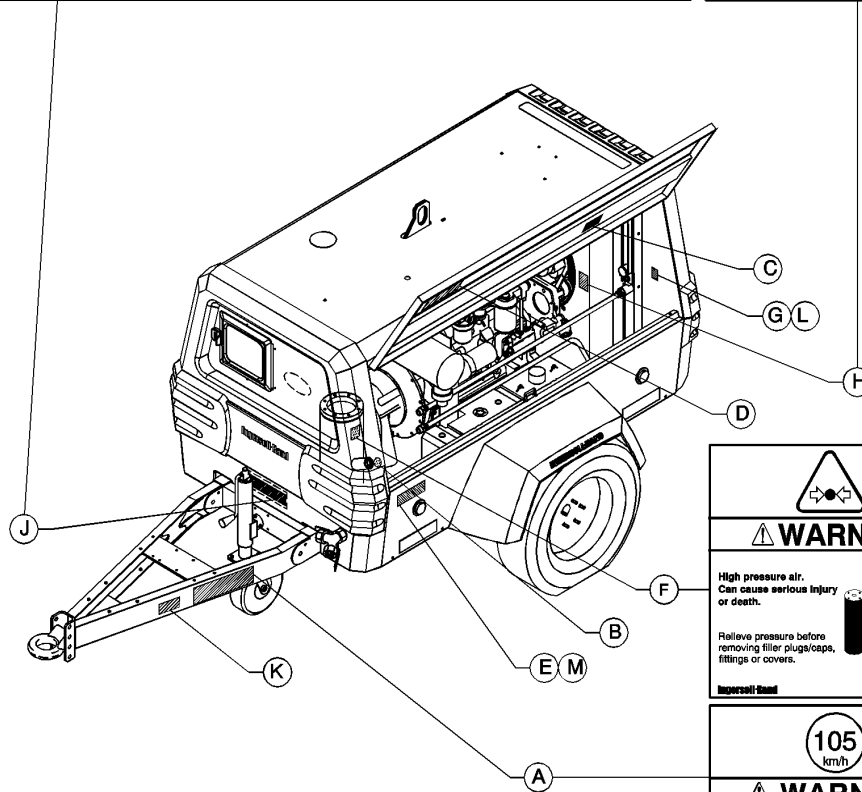
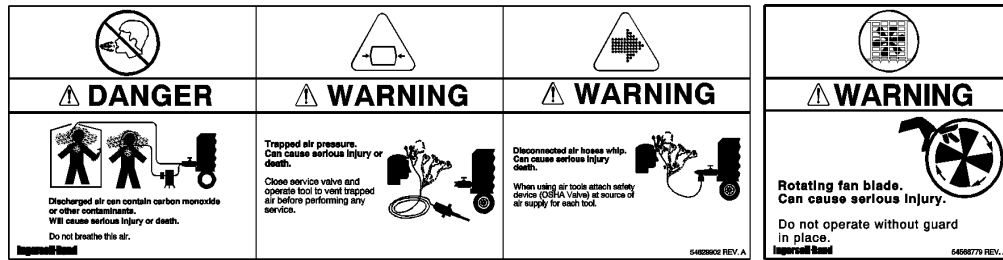


22591986\_30\_04/05\_A

ITEM	COMM. NO.	DESCRIPTION	QTY	DIMENSIONS/NOTES
A	54698089	PANEL, REAR END ACOUSTIC	1	
B	36883742	PANEL, SIDE DOOR ACOUSTIC	6	
C	36883718	PANEL, ACCESS DOOR ACOUSTIC	1	
D	54389887	PANEL, REAR ROOF ACOUSTIC	1	
E	54828979	PANEL, FRONT ROOF ACOUSTIC	1	
F	54698105	PANEL, ACCESS DOOR ACOUSTIC	1	
G	54724125	CLIP, XMAS TREE	15	
H	54698097	PANEL, BOTTOM REAR END ACOUSTIC	1	



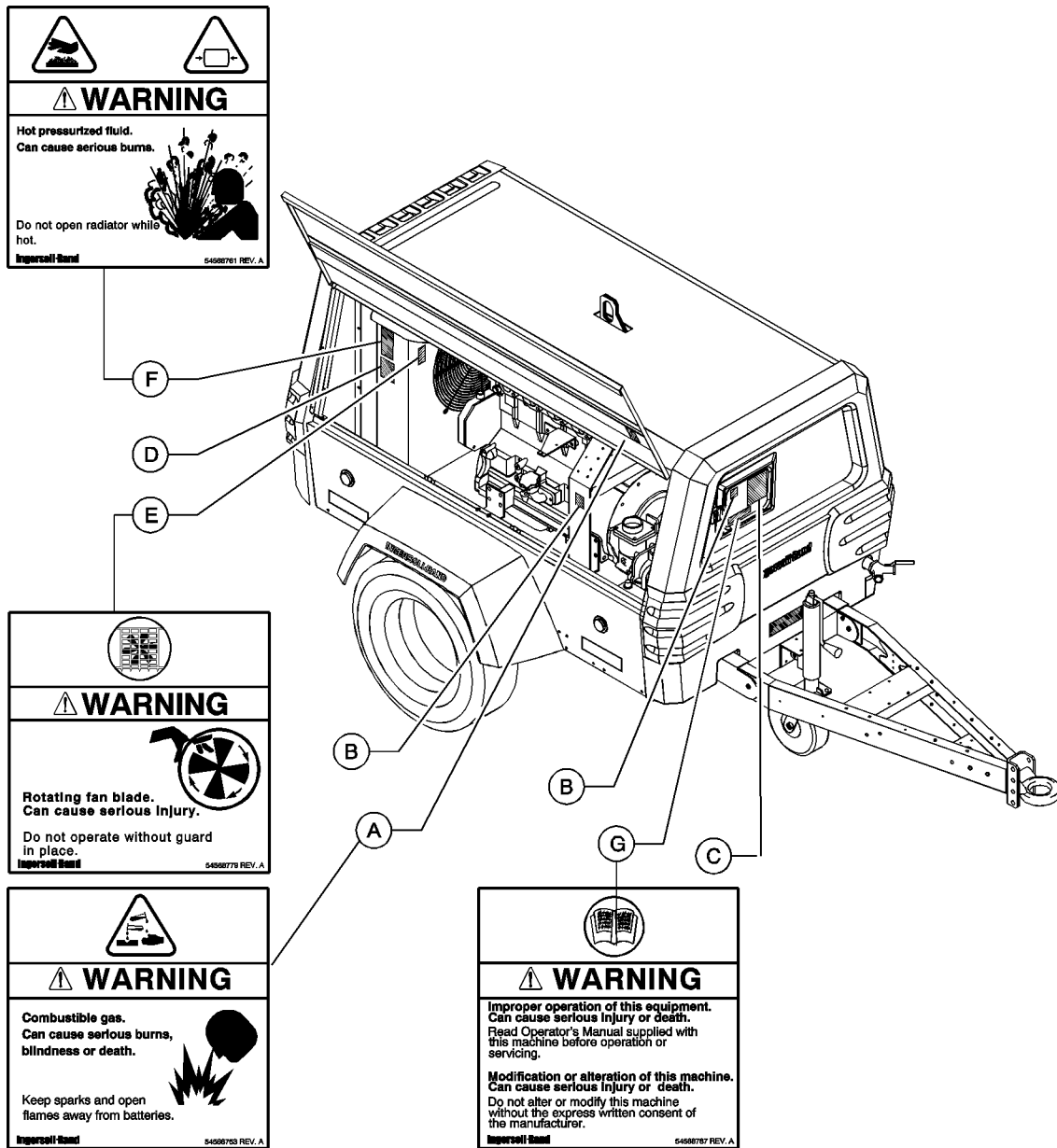
DECAL LOCATION



22591986\_31\_04/05\_A

ITEM	COMM. NO.	DESCRIPTION	QTY	DIMENSIONS/NOTES
A	54568803	2-PART DRAWBAR WARNING	1	
B	54604970	OIL FILL	1	
C	54625207	DIESEL FUEL	1	
D	22318653	WIRING DIAGRAM	1	
E	36531176	V. I. N.	1	
F	54568795	HIGH PRESSURE WARNING	1	
G	36523306	SERIAL NUMBER PLATE	1	
H	54568779	ROTATING FAN WARNING	1	
J	54629902	3-PART DANGER/WARNING	1	
K	54604921	TOW CHAINS NOTICE	1	
L	36794816	RIVET	1	
M	36533081	V. I. N. OVERLAY	2	

DECAL LOCATION  
DECAL LOCATION



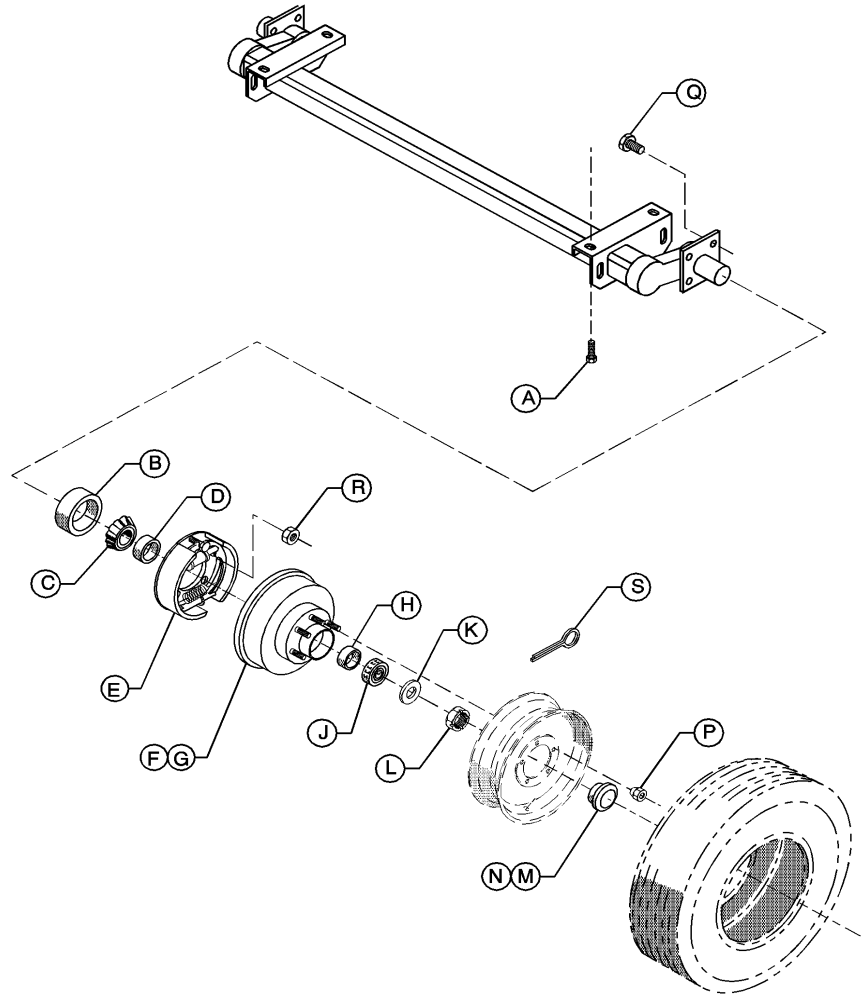
22591986\_32\_04/05\_A

ITEM	COMM. NO.	DESCRIPTION	QTY	DIMENSIONS/NOTES
A	54568753	BATTERY GAS WARNING	1	
B	54454756	NO ETHER	2	
C	54749163	OPERATING INSTRUCTIONS	1	
D	54604962	RADIATOR FILL	1	
E	54568779	ROTATING FAN WARNING	1	
F	54568761	HOT PRESSURIZED FLUID WARNING	1	
G	54568787	IMPROPER OPERATION	1	

## **Section B - OPTION PARTS**



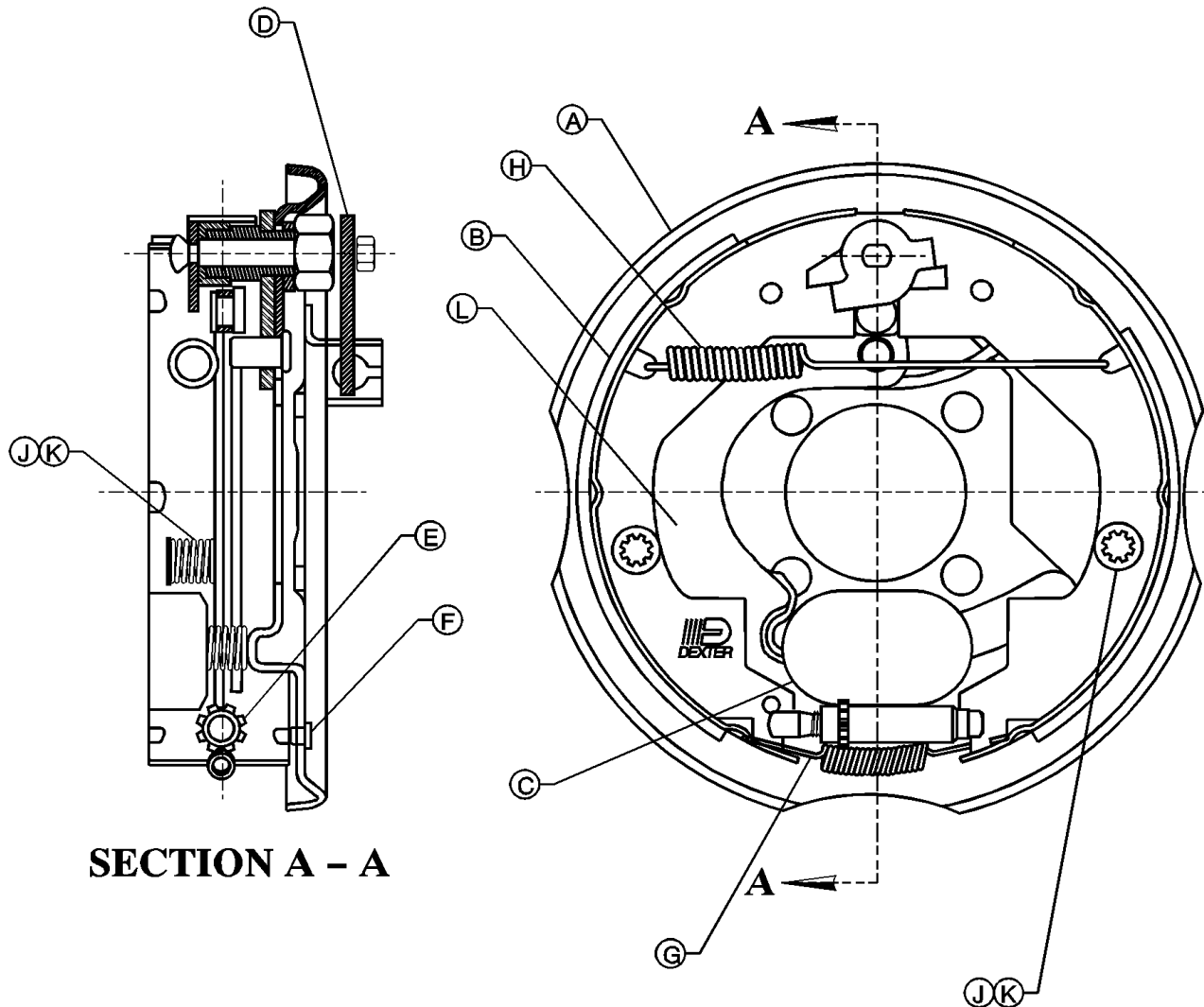
AXLE, ELECTRIC BRAKE  
 AXLE, ELECTRIC BRAKE



PLAT\_A\_OPT\_002\_04/04\_A

ITEM	COMM. NO.	DESCRIPTION	QTY	DIMENSIONS/NOTES
A	96747142	SCREW, HEX FLANG HD M16 X 30	4	
B	35391101	SEAL, EZ LUBE GREASE	2	
C	35361864	CONE, INNER BEARING	2	
D	35361872	CUP, INNER BEARING	2	
E	35391168	BRAKE ASM., LH ELECTRIC	1	
	35391176	BRAKE ASM., RH ELECTRIC	1	
F	35391119	HUB & DRUM with STUDS	2	
G	35361898	STUD	10	
H	35315183	CUP, OUTER BEARING	2	
J	35315191	CONE, OUTER BEARING	2	
K	35315209	WASHER, SPINDLE	2	
L	35315217	NUT, SPINDLE	2	
M	35391127	CAP, EZ LUBE RUBBER	2	
N	35391135	PLUG, EZ LUBE RUBBER	2	
P	35315274	NUT, WHEEL	10	
Q	35391648	SCREW, BRAKE MOUNT	8	
R	35391630	NUT, BRAKE MOUNT HEX	8	
S	35315225	PIN, COTTER	2	

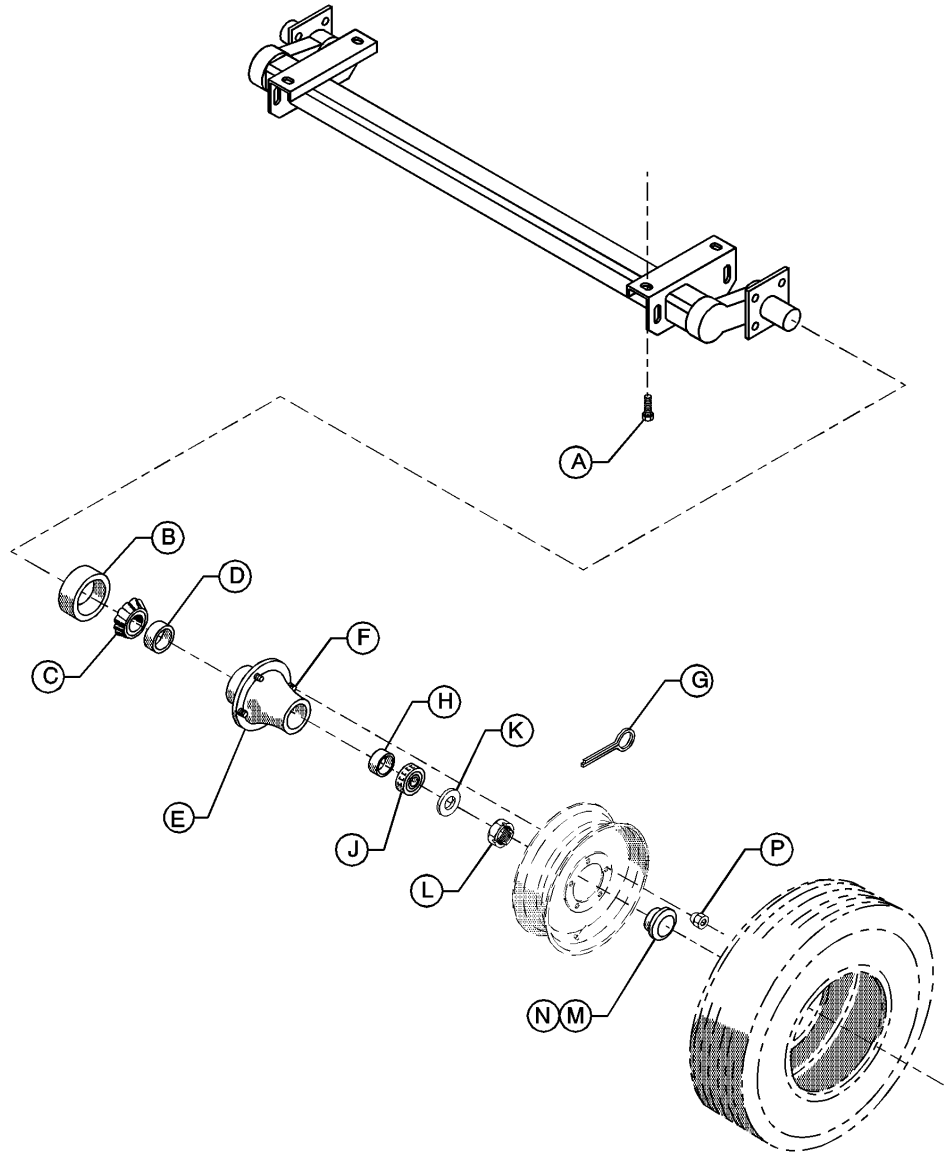
SHOE, ELECTRIC BRAKE  
SHOE, ELECTRIC BRAKE



PLAT\_A\_OPT\_003\_04/04\_A

ITEM	COMM. NO.	DESCRIPTION	QTY	DIMENSIONS/NOTES
A	35391184	PLATE ASM., LH BACKING	1	
	35391192	PLATE ASM., RH BACKING	1	
B	35391333	BRAKE SHOE KIT	1	
C	35391309	MAGNET KIT	2	
D	35391267	LEVER, PARKING BRAKE	2	
E	35391366	SCREW ASM., ADJUSTING	2	
F	35391416	PLUG, ADJUSTING SCREW	2	
G	35391374	SPRING, ADJUSTER	2	
H	35391358	SPRING, RETRACTOR	2	
J	35391382	SPRING, SHOE HOLD DOWN	4	
K	35391390	PIN, SHOE HOLD DOWN	4	
L	35391226	LEVER KIT, LH ACTUATING	1	
	35391234	LEVER KIT, RH ACTUATING	1	

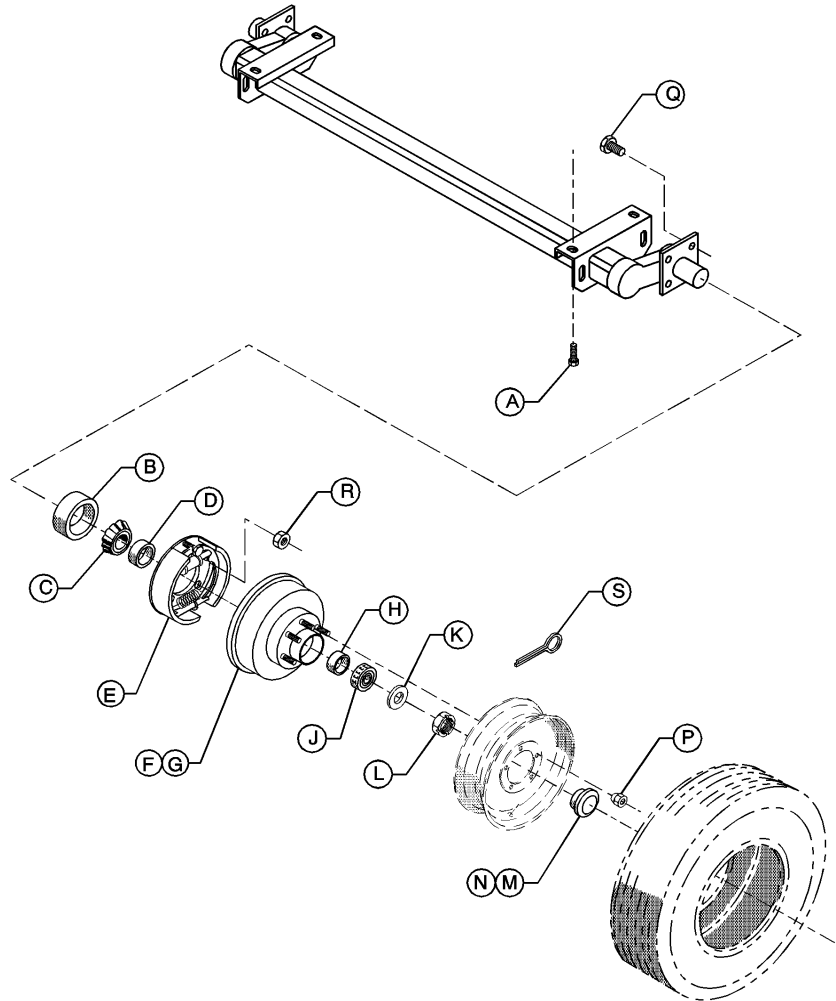
AXLE, EZ LUBE  
 AXLE, EZ LUBE



PLAT\_A\_OPT\_004\_04/04\_A

ITEM	COMM. NO.	DESCRIPTION	QTY	DIMENSIONS/NOTES
A	96747142	SCREW, HEX FLANG HD M16 X 30	4	
B	35391101	SEAL, EZ LUBE GREASE	2	
C	35361864	CONE, INNER BEARING	2	
D	35361872	CUP, INNER BEARING	2	
E	36848158	HUB with STUDS & BEARING CUPS	2	
F	35361898	STUD	10	
G	35315225	PIN, COTTER	2	
H	35315183	CUP, OUTER BEARING	2	
J	35315191	CONE, OUTER BEARING	2	
K	35315209	WASHER, SPINDLE	2	
L	35315217	NUT, SPINDLE	2	
M	35391127	CAP, EZ LUBE RUBBER	2	
N	35391135	PLUG, EZ LUBE RUBBER	2	
P	35315274	NUT, WHEEL	10	

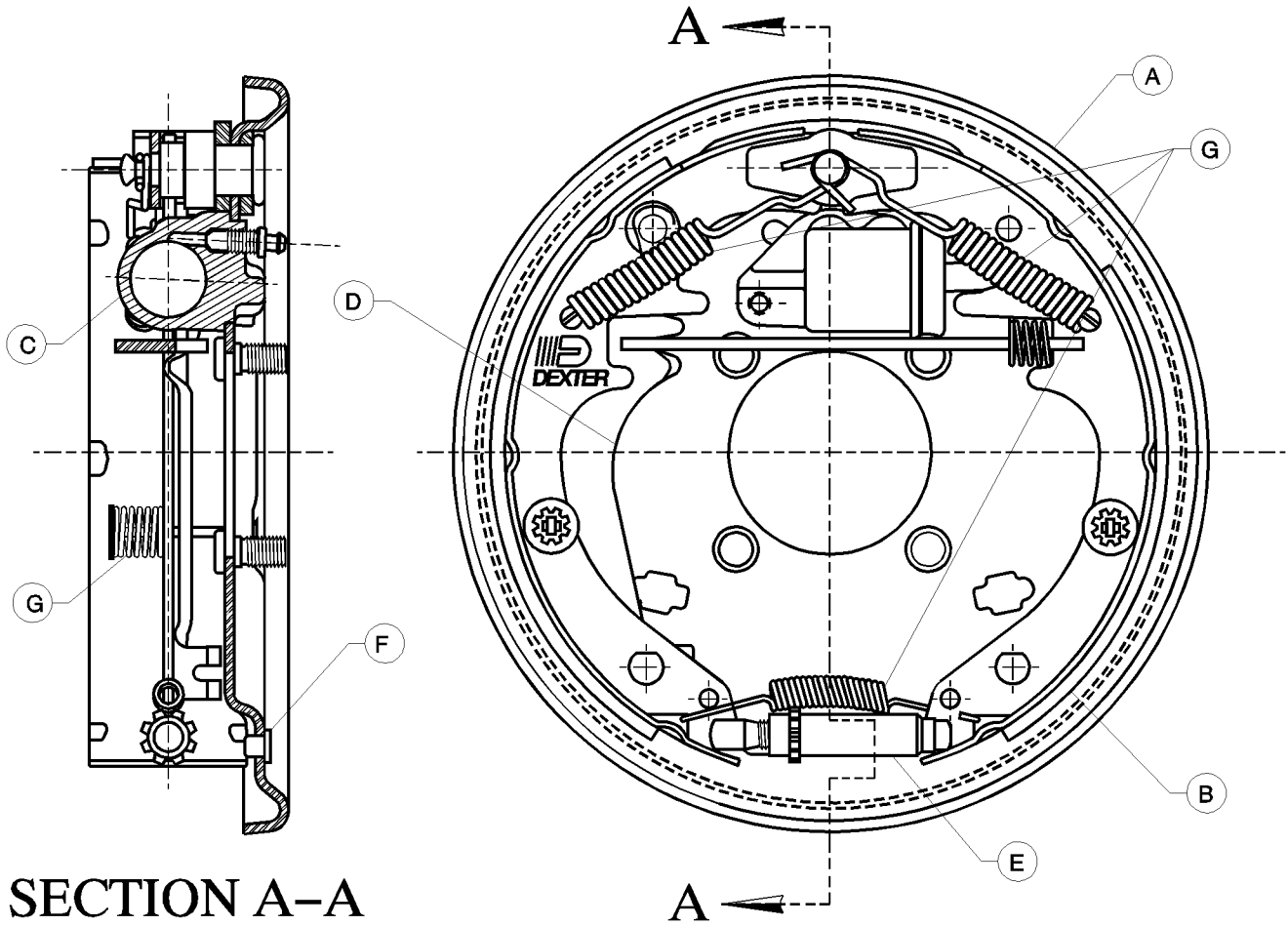
AXLE, HYDRAULIC BRAKE  
 AXLE, HYDRAULIC BRAKE



PLAT\_A\_OPT\_005\_04/04\_A

ITEM	COMM. NO.	DESCRIPTION	QTY	DIMENSIONS/NOTES
A	96747142	SCREW, HEX FLANG HD M16 X 30	4	
B	35391101	SEAL, EZ LUBE GREASE	2	
C	35361864	CONE, INNER BEARING	2	
D	35361872	CUP, INNER BEARING	2	
E	36867596	BRAKE ASM., LH HYDRAULIC	1	
	36867604	BRAKE ASM., RH HYDRAULIC	1	
F	35391119	HUB & DRUM with STUDS	2	
G	35361898	STUD	10	
H	35315183	CUP, OUTER BEARING	2	
J	35315191	CONE, OUTER BEARING	2	
K	35315209	WASHER, SPINDLE	2	
L	35315217	NUT, SPINDLE	2	
M	35391127	CAP, EZ LUBE RUBBER	2	
N	35391135	PLUG, EZ LUBE RUBBER	2	
P	35315274	NUT, WHEEL	10	
Q	35391648	SCREW, BRAKE MOUNT	8	
R	35391630	NUT, BRAKE MOUNT HEX	8	
S	35315225	PIN, COTTER	2	

SHOE, HYDRAULIC BRAKE  
SHOE, HYDRAULIC BRAKE

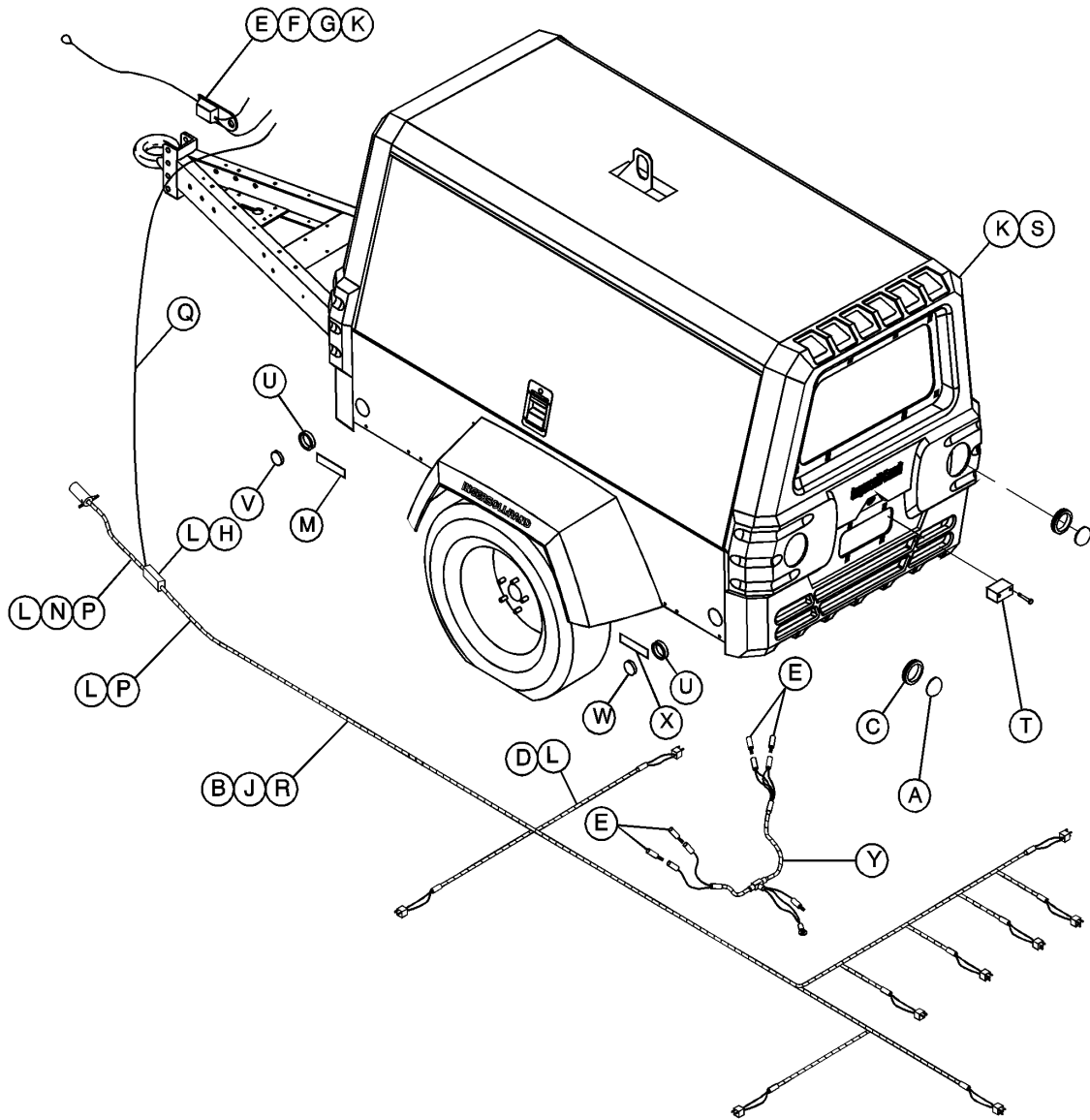


PLAT\_A\_OPT\_006\_04/04\_A

ITEM	COMM. NO.	DESCRIPTION	QTY	DIMENSIONS/NOTES
A	35391432	PLATE AS., BACKING	2	
B	35391556	BRAKE SHOE KIT	2	
C	35391440	CYLINDER, LH BRAKE	1	
	35391457	CYLINDER, RH BRAKE	1	
D	35391580	LEVER & PIN, LH PARKING	1	
	35391598	LEVER & PIN, RH PARKING	1	
E	35393727	SCREW ASM., ADJUSTING	2	
F	35391481	PLUG, ADJUSTING SLOT	4	
G	35391507	BRAKE SPRING KIT	2	



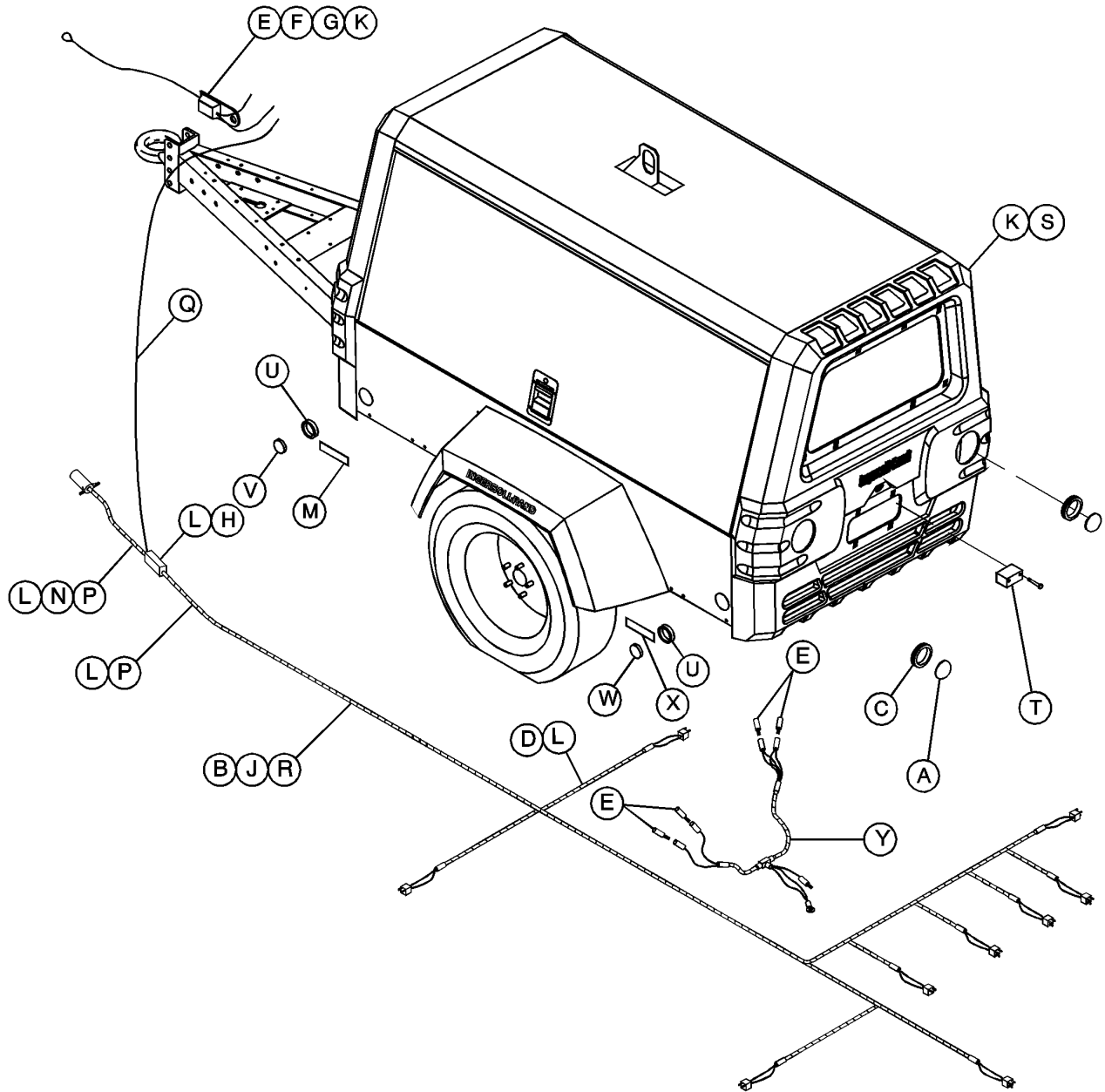
BRAKES, 2-LIGHT w/ ELECTRIC  
 BRAKES, 2-LIGHT w/ ELECTRIC



PLAT\_A\_OPT\_007\_04/04\_A

ITEM	COMM. NO.	DESCRIPTION	QTY	DIMENSIONS/NOTES
A	36788081	LIGHT, TAIL	2	
B	36893345	HARNESS, TAIL LIGHT	1	
C	36787968	GROMMET, TAIL LIGHT	2	
D	36853174	CLAMP, 1/4 SUPPORT	1	
E	35375427	TERMINAL, SNAP	9	
F	35315944	SWITHC, BREAKAWAY	1	
G	37140365	TERMINAL, SPLICE	1	
H	35346337	TERMINAL, LUG	1	
J	35253038	CLAMP, 3/8 SUPPORT	4	
K	36797652	SCREW, TAPPING M06-1.0 X 12	8	
L	92368687	SCREW, TAPPING M06-1.0 X 14	6	
M	36894616	REFLECTOR, AMBER	2	
N	36789261	HARNESS, 6 CNDCT CABLE	1	(STD LG DBAR)
	36787216	HARNESS, 6 CNDCT CABLE	1	(EXT LG DBAR)

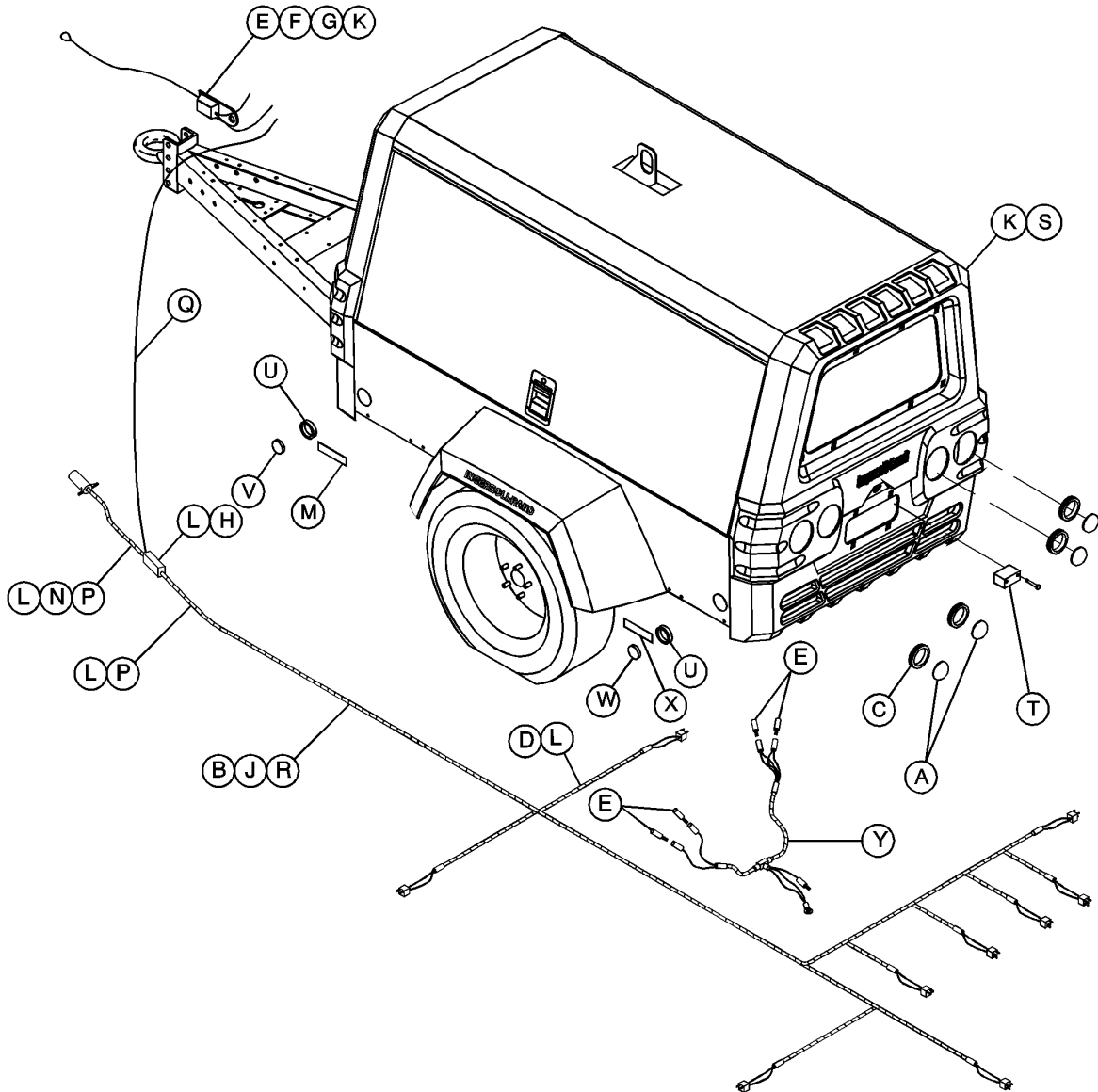
BRAKES, 2-LIGHT w/ ELECTRIC  
 BRAKES, 2-LIGHT w/ ELECTRIC



PLAT\_A\_OPT\_007\_04/04\_A

ITEM	COMM. NO.	DESCRIPTION	QTY	DIMENSIONS/NOTES
P	35225093	CLAMP, 1/2 SUPPORT	6	
Q	35120005	WIRE, 14 GA BLACK	40"	
R	35279025	SCREW, TAPPING M08-1.25 X 20	3	
S	54473525	CAP, REAR END (STD PAINT)	1	
	54729140	CAP, REAR END (SPECIAL PAINT)	1	
T	54726468	LIGHT, LICENSE	1	
U	36893634	GROMMET, CLEARANCE LIGHT	4	
V	35367051	LIGHT, YELLOW CLEARANCE	2	
W	35367044	LIGHT, RED CLEARANCE	2	
X	36894608	REFLECTOR, RED	2	
Y	36895282	HARNESS, ELECTRIC BRAKE	1	

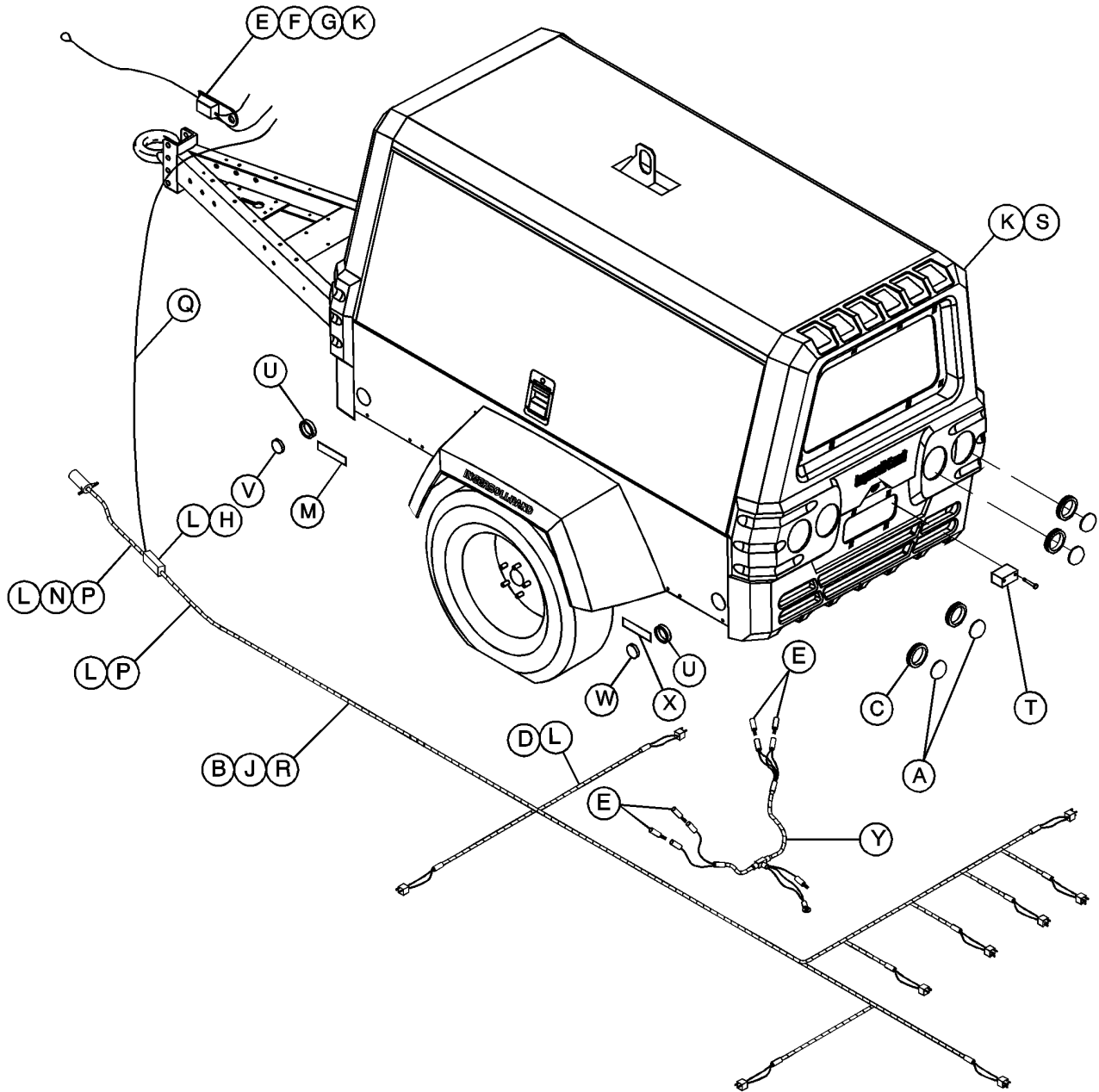
BRAKES, 4-LIGHT w/ ELECTRIC  
 BRAKES, 4-LIGHT w/ ELECTRIC



PLAT\_A\_OPT\_008\_04/04\_A

ITEM	COMM. NO.	DESCRIPTION	QTY	DIMENSIONS/NOTES
A	36788081	LIGHT, TAIL	4	
B	36893345	HARNESS, TAIL LIGHT	1	
C	36787968	GROMMET, TAIL LIGHT	4	
D	36853174	CLAMP, 1/4 SUPPORT	1	
E	35375427	TERMINAL, SNAP	9	
F	35315944	SWITHC, BREAKAWAY	1	
G	37140365	TERMINAL, SPLICE	1	
H	35346337	TERMINAL, LUG	1	
J	35253038	CLAMP, 3/8 SUPPORT	4	
K	36797652	SCREW, TAPPING M06-1.0 X 12	8	
L	92368687	SCREW, TAPPING M06-1.0 X 14	6	
M	36894616	REFLECTOR, AMBER	2	
N	36789261	HARNESS, 6 CNDCT CABLE	1	(STD LG DBAR)
	36787216	HARNESS, 6 CNDCT CABLE	1	(EXT LG DBAR)

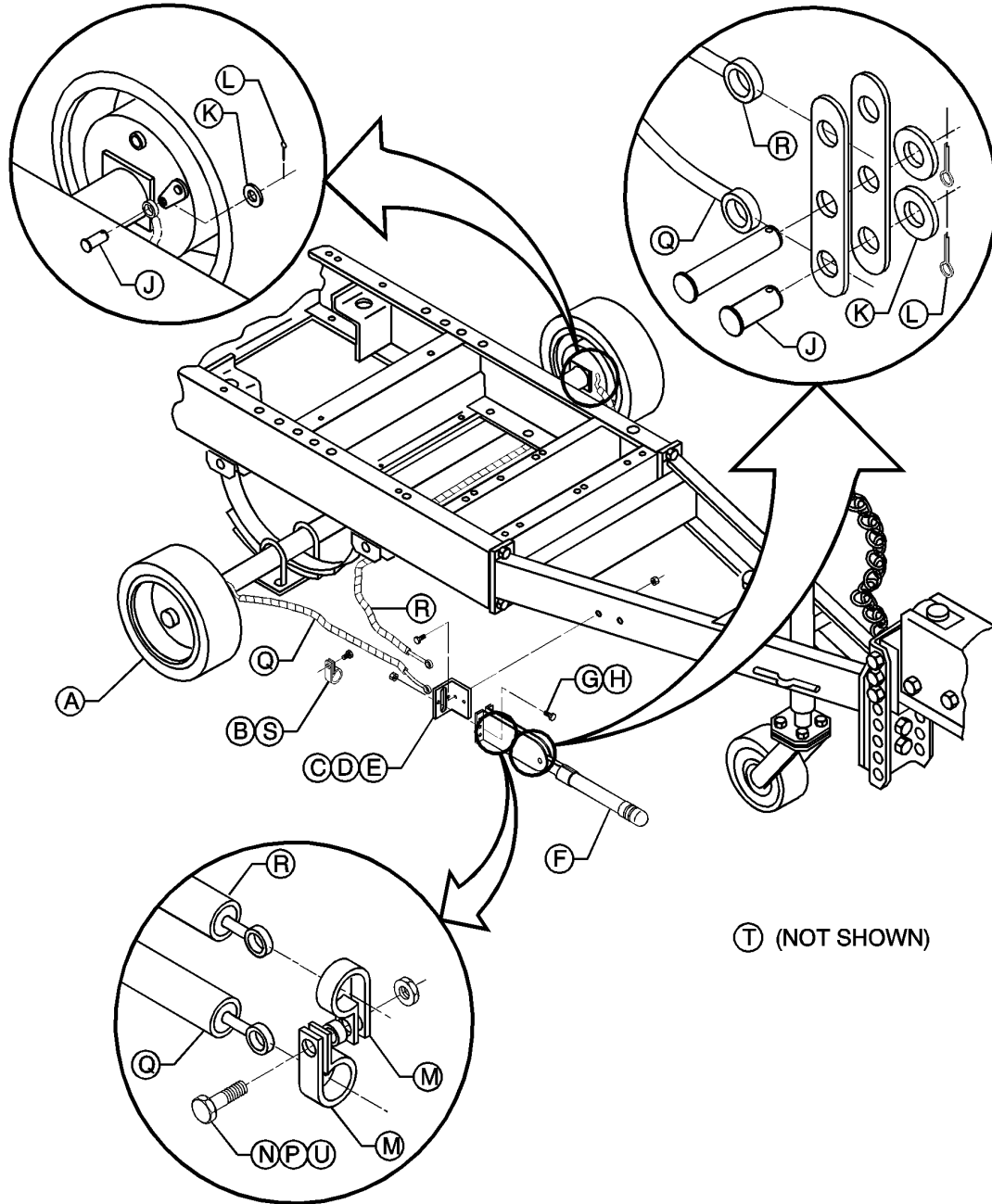
BRAKES, 4-LIGHT w/ ELECTRIC  
 BRAKES, 4-LIGHT w/ ELECTRIC



PLAT\_A\_OPT\_008\_04/04\_A

ITEM	COMM. NO.	DESCRIPTION	QTY	DIMENSIONS/NOTES
P	35225093	CLAMP, 1/2 SUPPORT	6	
Q	35120005	WIRE, 14 GA BLACK	40"	
R	35279025	SCREW, TAPPING M08-1.25 X 20	3	
S	54473525	CAP, REAR END (STD PAINT)	1	
	54729140	CAP, REAR END (SPECIAL PAINT)	1	
T	54726468	LIGHT, LICENSE	1	
U	36893634	GROMMET, CLEARANCE LIGHT	4	
V	35367051	LIGHT, YELLOW CLEARANCE	2	
W	35367044	LIGHT, RED CLEARANCE	2	
X	36894608	REFLECTOR, RED	2	
Y	36895282	HARNESS, ELECTRIC BRAKE	1	

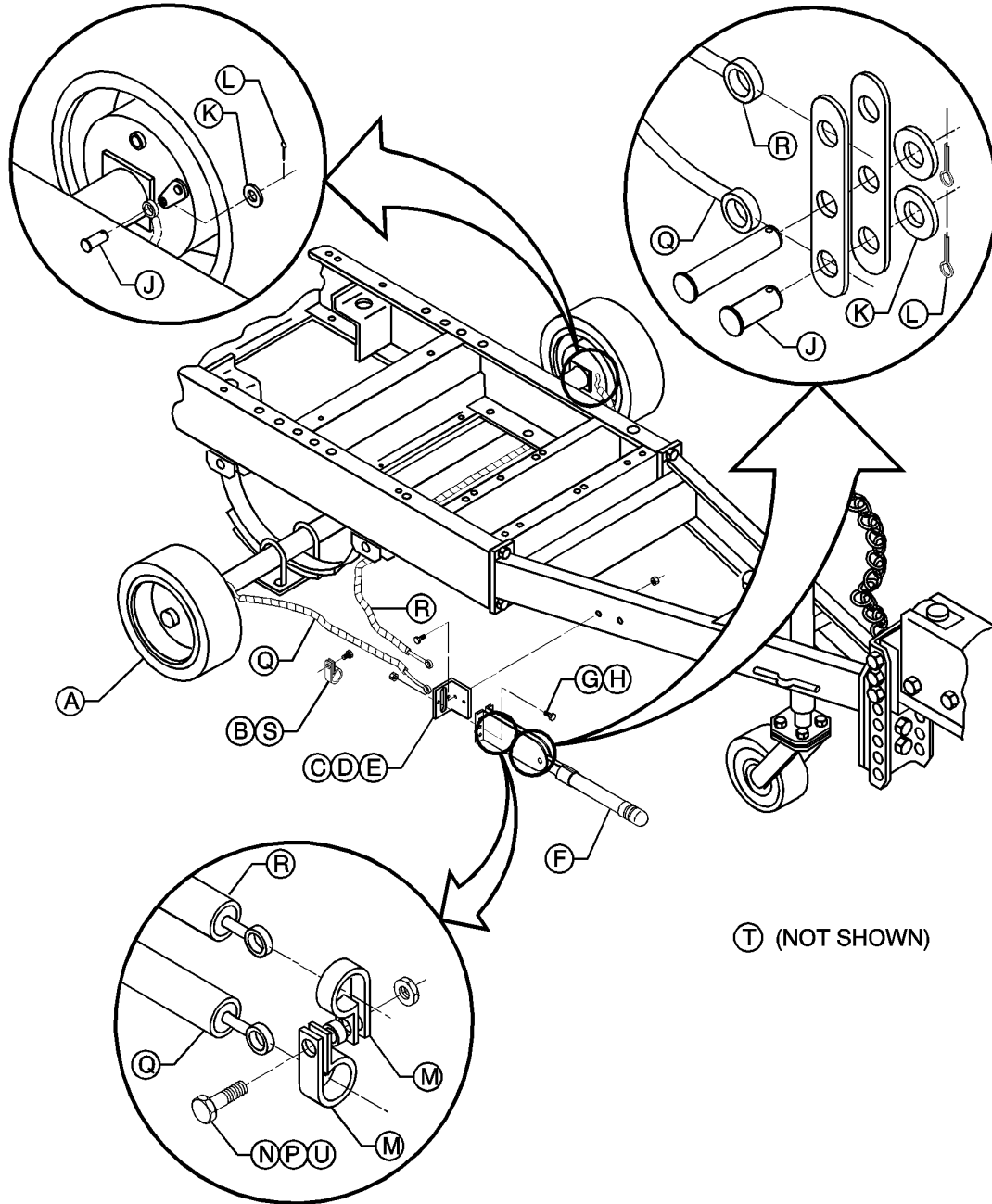
BRAKES, PARK w/ ELECTRIC  
 BRAKES, PARK w/ ELECTRIC



PLAT\_A\_OPT\_009\_04/04\_A

ITEM	COMM. NO.	DESCRIPTION	QTY	DIMENSIONS/NOTES
A	54675749	BRAKES, RUNNING GEAR w/	1	
B	35134477	CLAMP, RUBBER COATED	1	
C	35116433	BRACKET, BRAKE LEVER	1	
D	96704309	SCREW, HEX M10-1.5 X 35	2	
E	96735550	NUT, HEX M10-1.5	2	
F	35370055	LEVER, PARKING BRAKE	1	
G	96702659	SCREW, HEX M08-1.25 X 25	2	
H	96735543	NUT, HEX M08-1.25	2	
J	36846780	PIN, CLEVIS .31 X .75	4	
K	95934998	WASHER, 3/8 FLAT	4	

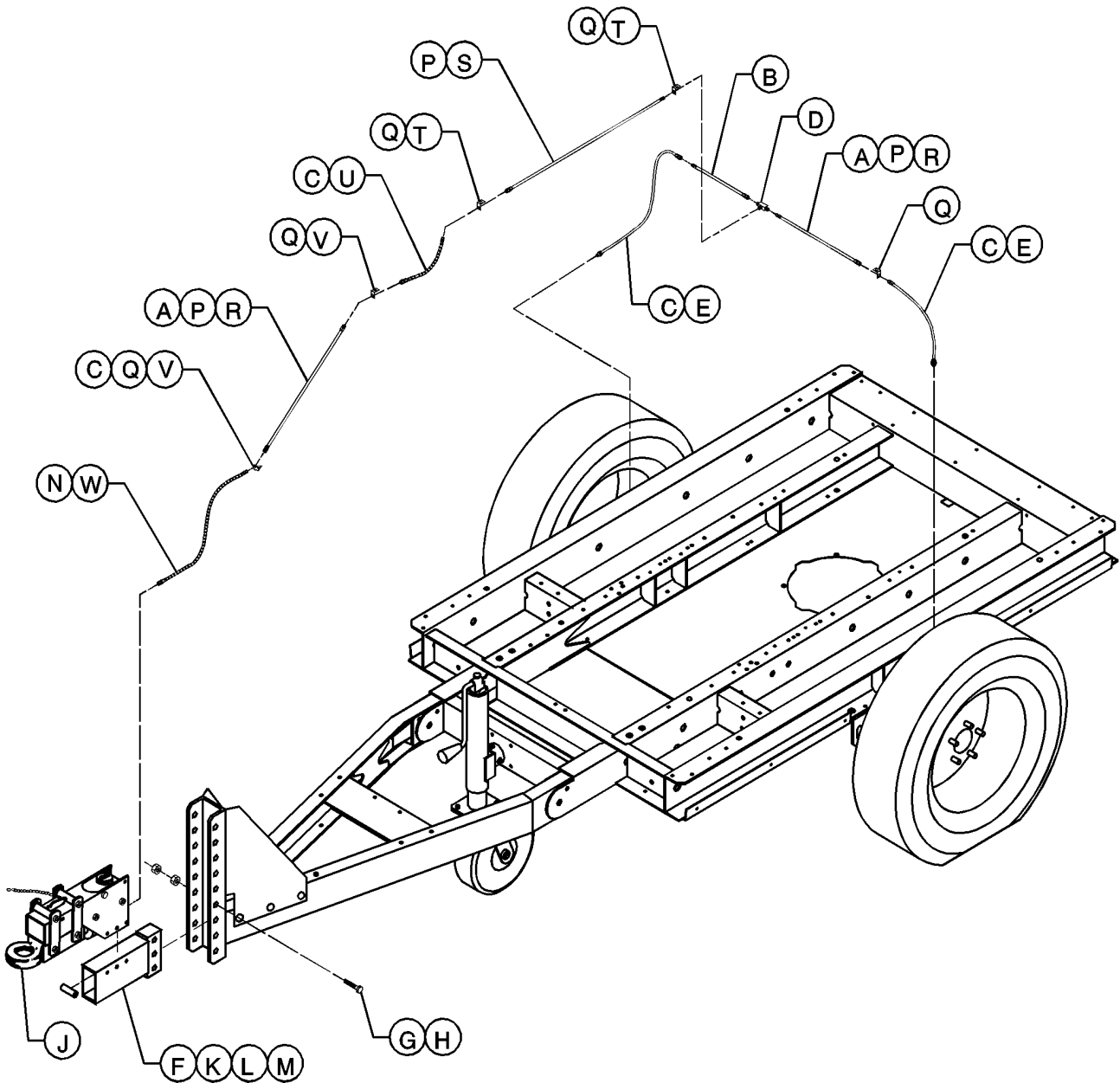
BRAKES, PARK w/ ELECTRIC  
 BRAKES, PARK w/ ELECTRIC



PLAT\_A\_OPT\_009\_04/04\_A

ITEM	COMM. NO.	DESCRIPTION	QTY	DIMENSIONS/NOTES
L	95928867	PIN, COTTER .09	4	
M	35126325	CLAMP, CABLE	2	
N	95929006	SCREW, HEX 5/16-18 X 1	1	
P	35126358	SPACER	1	
Q	35589746	CABLE ASM., 78" BRAKE	1	
R	36503134	CABLE ASM., 108" BRAKE	1	
S	35300771	SCREW, TAPPING M06-1.0 X 20	1	
T	35253038	CLAMP, RUBBER COATED	3	
U	35252600	NUT, LOCKING 5/16-18	1	

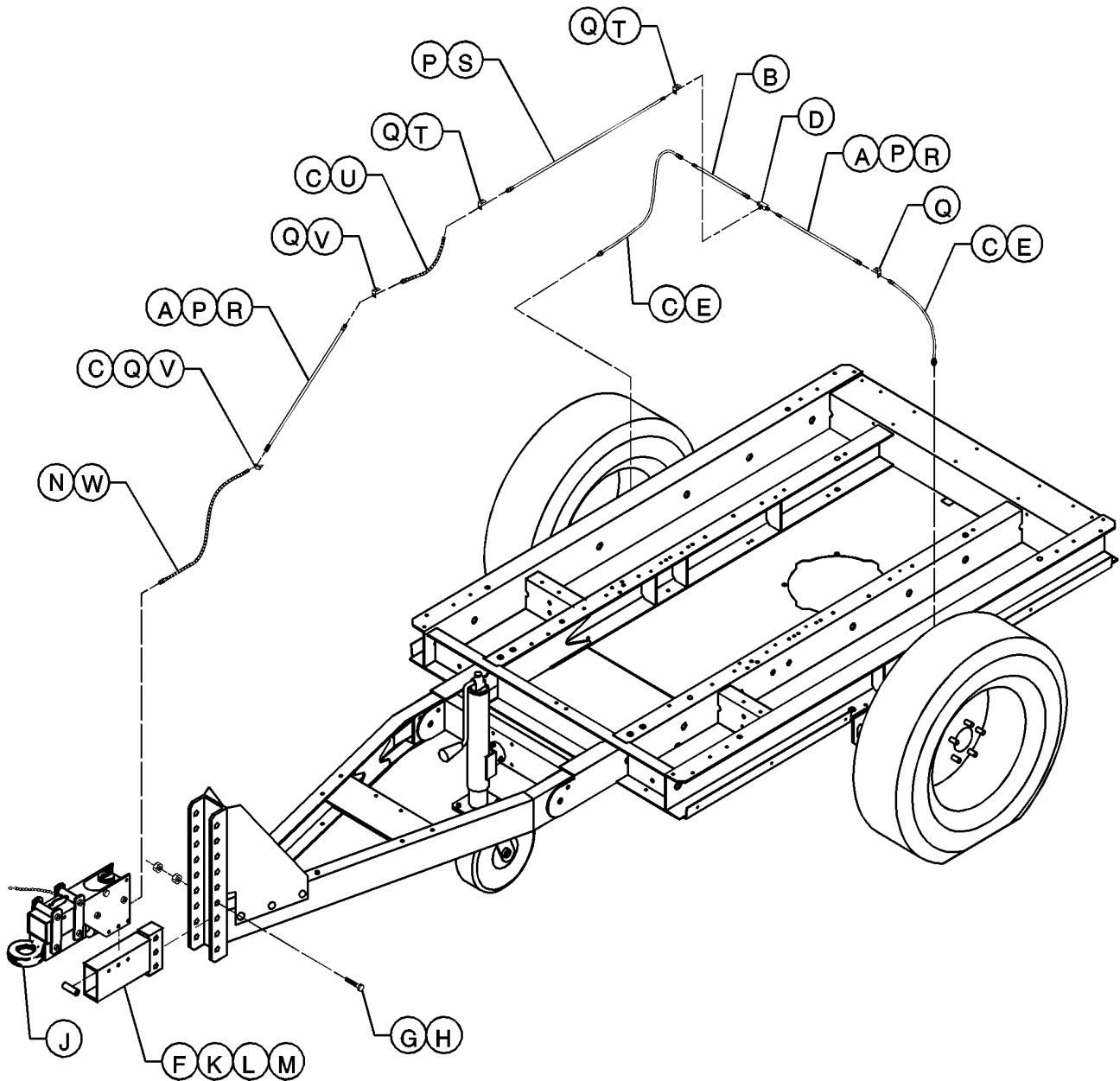
BRAKES, ADJ. HT. DRAWBAR w/ HYDRAULIC  
 BRAKES, ADJ. HT. DRAWBAR w/ HYDRAULIC



PLAT\_A\_OPT\_010\_04/04\_A

ITEM	COMM. NO.	DESCRIPTION	QTY	DIMENSIONS/NOTES
A	35356401	HOSE,BRAKE 3/16 X 40	2	
B	36881290	HOSE,BRAKE 3/8 X 12	1	
C	35356302	CLAMP, HOSE	5	
D	35356328	TEE, 3/16 INVERTED	1	
E	35356369	HOSE,BRAKE 3/8 X 13	2	
F	36758647	SUPPORT, HYDRAULIC ACTUATOR	1	
G	35379094	SCREW, HEX M16 X 200	3	
H	96701750	NUT, HEX M16	6	
J	35316611	ACTUATOR, HYDRAULIC BRAKE	1	
K	35333673	SPACER, HYDRAULIC DRAWBAR	3	
L	95935169	SCREW, HEX 1/2-13 X 4	3	

BRAKES, ADJ. HT. DRAWBAR w/ HYDRAULIC  
 BRAKES, ADJ. HT. DRAWBAR w/ HYDRAULIC

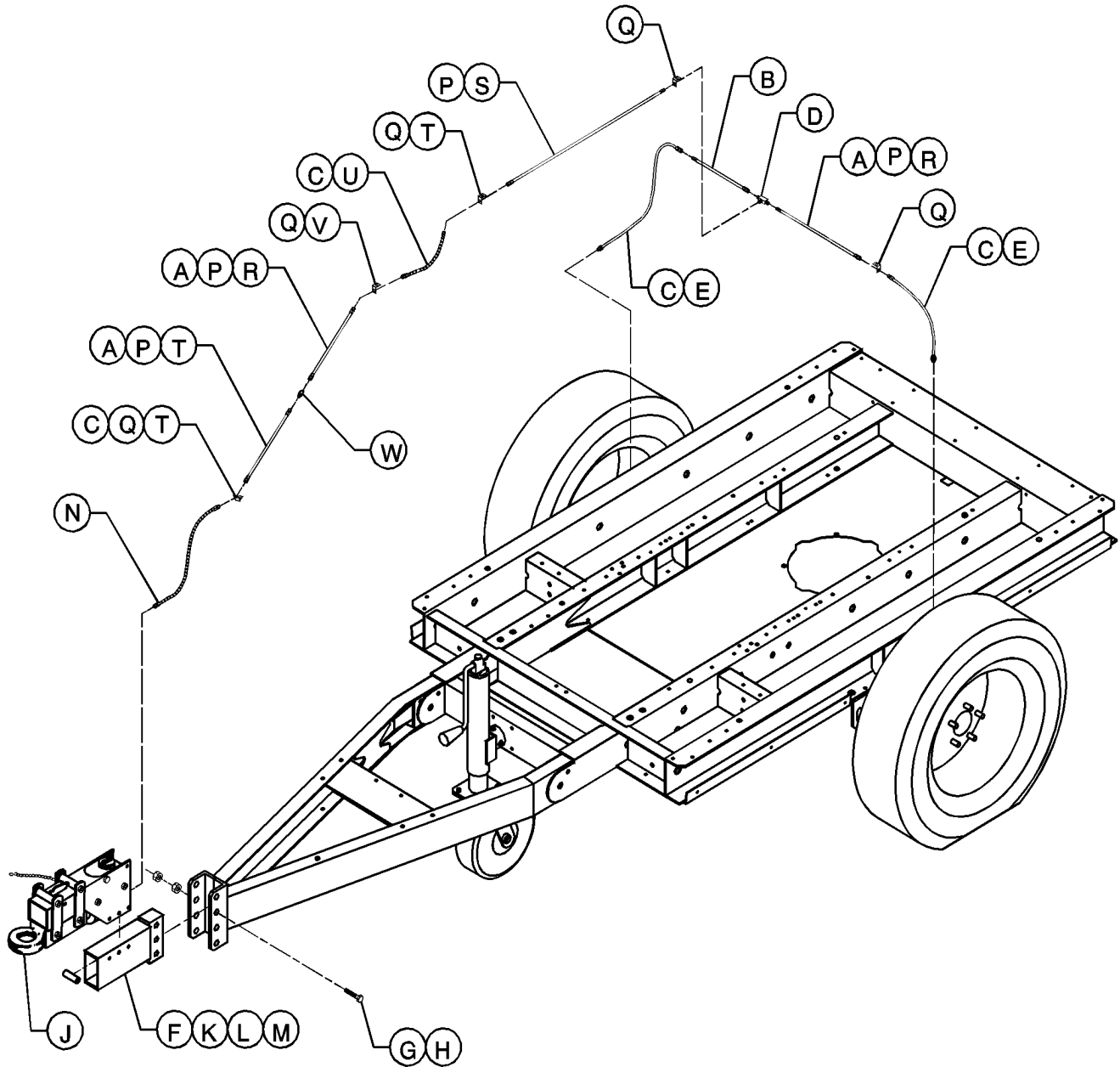


PLAT\_A\_OPT\_010\_04/04\_A

ITEM	COMM. NO.	DESCRIPTION	QTY	DIMENSIONS/NOTES
M	95923348	NUT, NYLOC 1/2-13	3	
N	35605310	TUBING, 3/16 X 18.88"	1	
P	37001252	CLAMP, SUPPORT	3	
Q	35356310	BRACKET, HOSE MOUNTING	5	
R	35300771	SCREW, TAPPING M06-1.0 X 20	2	
S	36881274	HOSE, BRAKE 3/16 X 50"	1	
T	92368687	SCREW, TAPPING M06-1.0 X 14	2	
U	36881399	HOSE, BRAKE 3/16 X 24"	1	
V	35279025	SCREW, TAPPING M08-1.25 X 20	2	
W	35315746	ADAPTER	1	



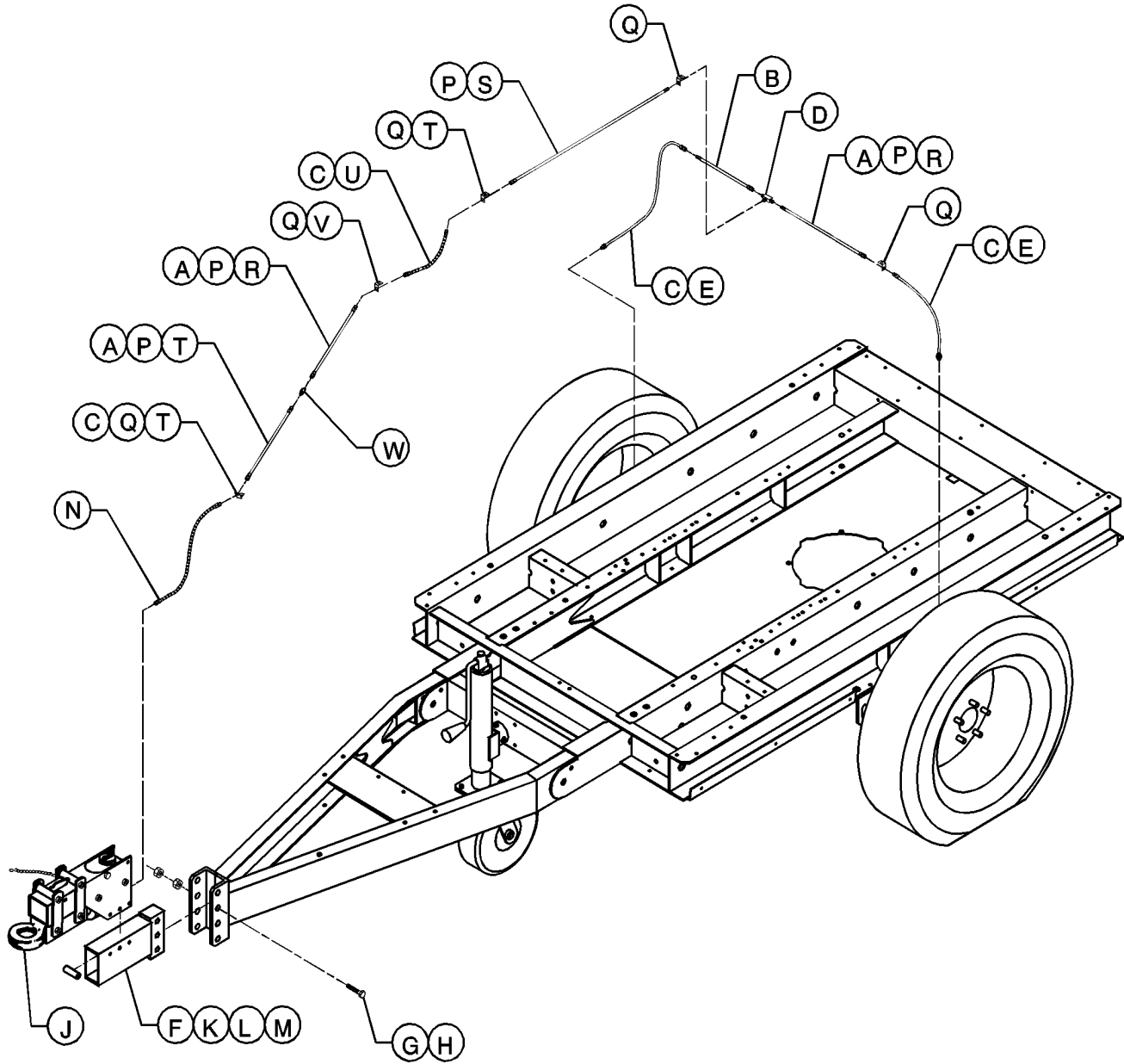
BRAKES, EXTENDED DRAWBAR w/ HYDRAULIC  
 BRAKES, EXTENDED DRAWBAR w/ HYDRAULIC



PLAT\_A\_OPT\_011\_04/04\_A

ITEM	COMM. NO.	DESCRIPTION	QTY	DIMENSIONS/NOTES
A	35356401	HOSE, BRAKE 3/16 X 40	3	
B	36881290	HOSE, BRAKE 3/16 X 12	1	
C	35356302	CLIP, HOSE	4	
D	35356328	TEE, 3/16 INVERTED	1	
E	35356369	HOSE, BRAKE 3/16 X 13	2	
F	36758647	SUPPORT, HYDRAULIC ACTUATOR	1	
G	35376094	SCREW, HEX M16 X 200	3	
H	96701750	NUT, HEX M16	6	
J	35316611	ACTUATOR, HYDRAULIC BRAKE	1	
K	35333673	SPACER, HYDRAULIC DRAWBAR	3	
L	95935169	SCREW, HEX 1/2-13 X 4	3	

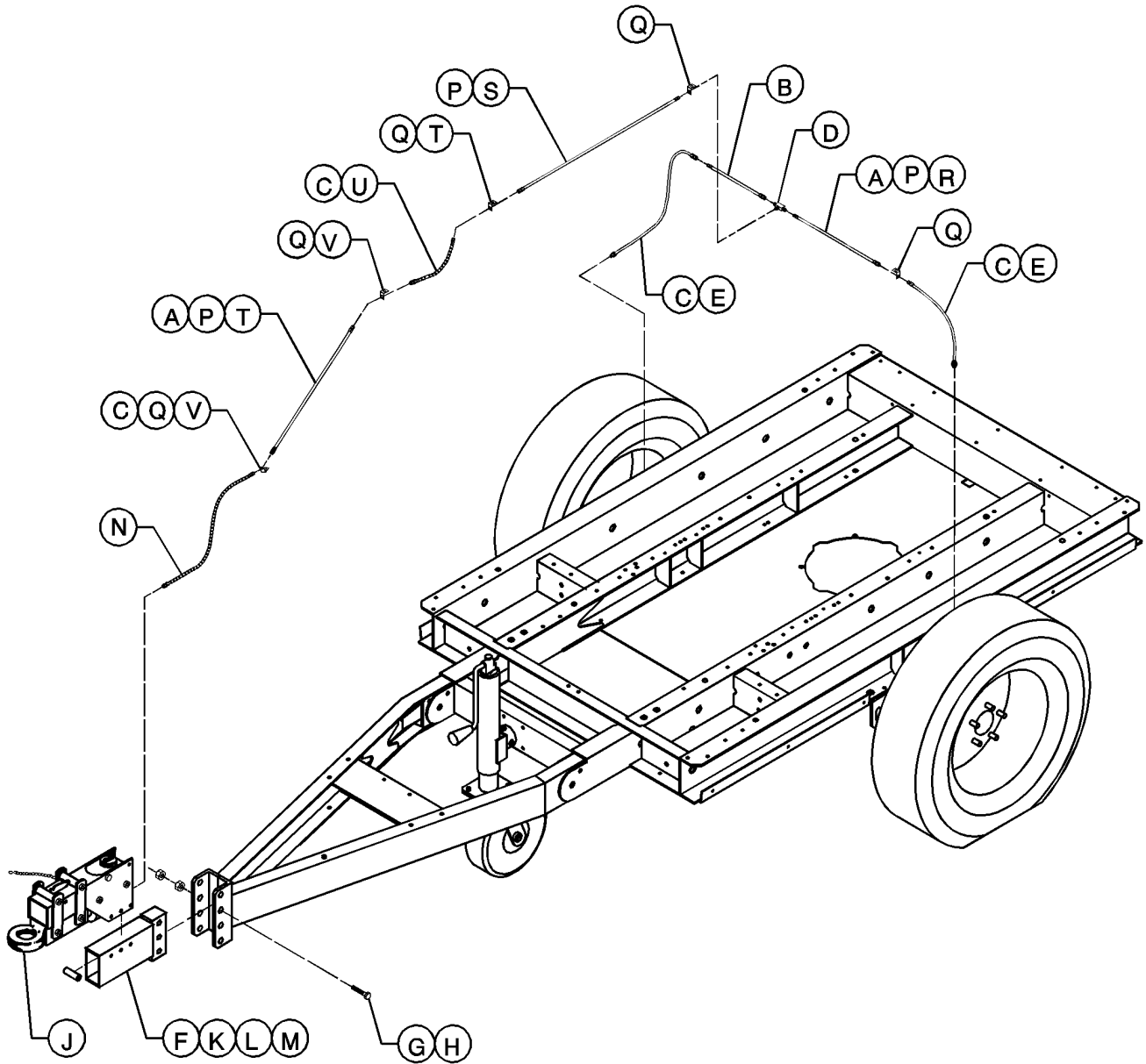
BRAKES, EXTENDED DRAWBAR w/ HYDRAULIC  
 BRAKES, EXTENDED DRAWBAR w/ HYDRAULIC



PLAT\_A\_OPT\_011\_04/04\_A

ITEM	COMM. NO.	DESCRIPTION	QTY	DIMENSIONS/NOTES
M	95923348	NUT, NYLOC 1/2-13	3	
N	35356377	TUBING, 3/16 X 18.88"	1	
P	37001252	CLAMP, SUPPORT	4	
Q	35356310	BRACKET, HOSE MOUNTING	5	
R	35300771	SCREW, TAPPING M06-1.0 X 20	2	
S	36881274	HOSE, BRAKE 3/16 X 50"	1	
T	92368687	SCREW, TAPPING M06-1.0 X 14	3	
U	36881399	HOSE, BRAKE 3/16 X 24"	1	
V	35279025	SCREW, TAPPING M08-1.25 X 20	1	
W	35356336	UNION. 3/16	1	

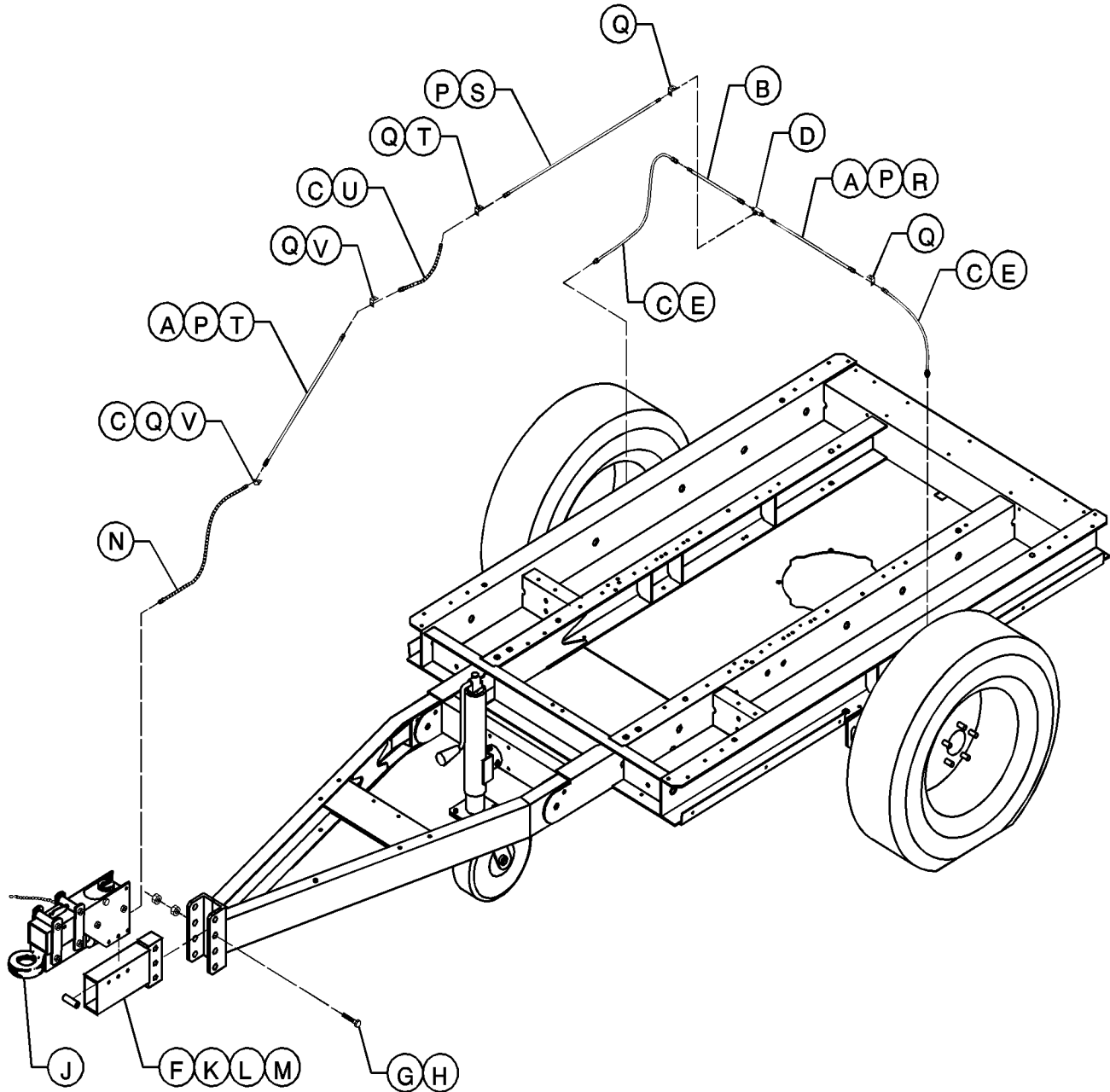
BRAKES, HYDRAULIC  
BRAKES, HYDRAULIC



PLAT\_A\_OPT\_012\_04/04\_A

ITEM	COMM. NO.	DESCRIPTION	QTY	DIMENSIONS/NOTES
A	35356401	HOSE, BRAKE 3/16 X 40	2	
B	36881290	HOSE, BRAKE 3/16 X 12	1	
C	35356302	CLIP, HOSE	5	
D	35356328	TEE, 3/16 INVERTED	1	
E	35356369	HOSE, BRAKE 3/16 X 13	2	
F	36758647	SUPPORT, HYDRAULIC ACTUATOR	1	
G	35376094	SCREW, HEX M16 X 200	3	
H	96701750	NUT, HEX M16	6	
J	35316611	ACTUATOR, HYDRAULIC BRAKE	1	
K	35333673	SPACER, HYDRAULIC DRAWBAR	3	

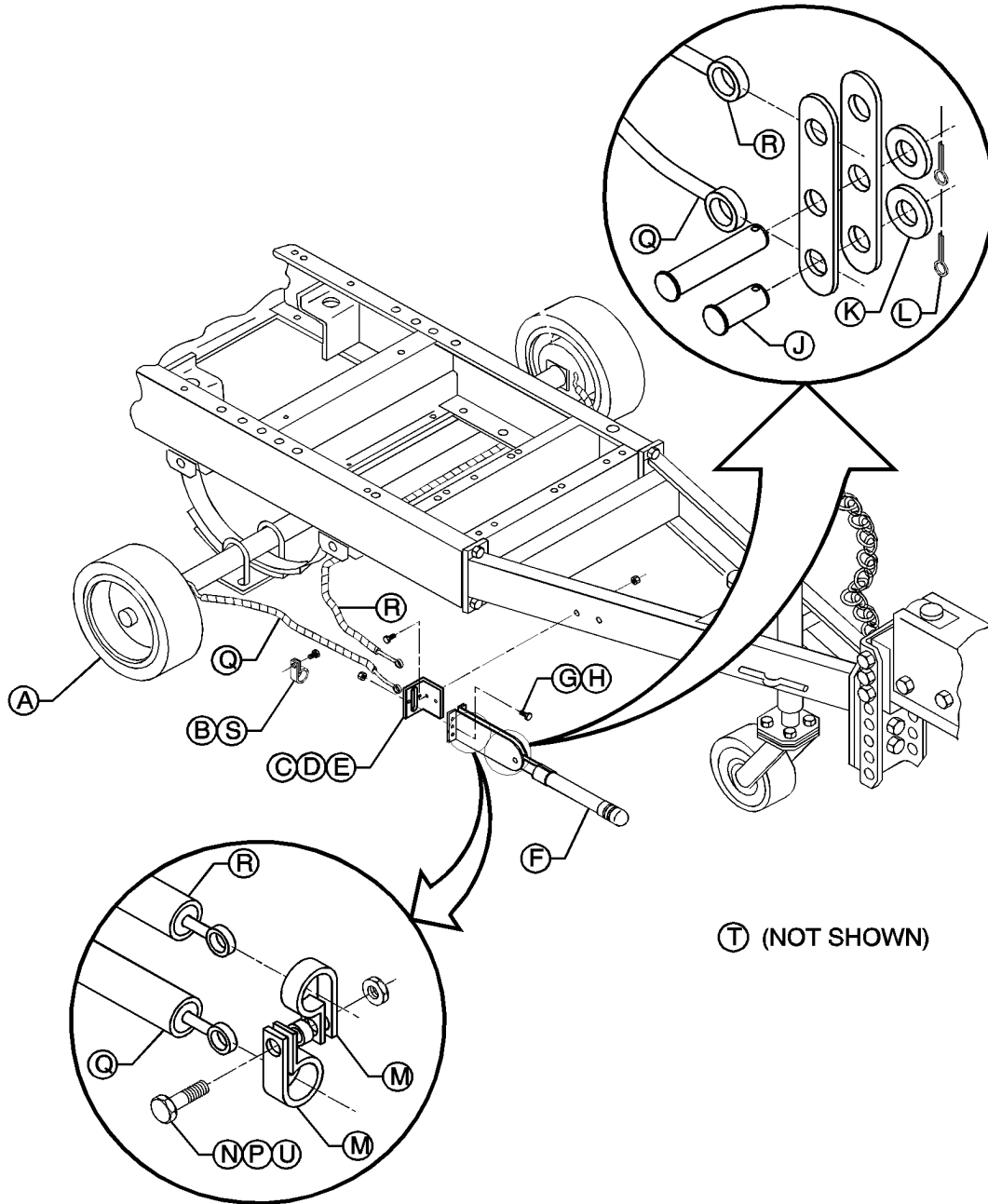
BRAKES, HYDRAULIC  
BRAKES, HYDRAULIC



PLAT\_A\_OPT\_012\_04/04\_A

ITEM	COMM. NO.	DESCRIPTION	QTY	DIMENSIONS/NOTES
L	95935169	SCREW, HEX 1/2-13 X 4	3	
M	95923348	NUT, NYLOC 1/2-13	3	
N	35356377	TUBING, 3/16 X 18.88"	1	
P	37001252	CLAMP, SUPPORT	4	
Q	35356310	BRACKET, HOSE MOUNTING	5	
R	35300771	SCREW, TAPPING M06-1.0 X 20	1	
S	36881274	HOSE, BRAKE 3/16 X 50"	1	
T	92368687	SCREW, TAPPING M06-1.0 X 14	2	
U	36881399	HOSE, BRAKE 3/16 X 24"	1	
V	35279025	SCREW, TAPPING M08-1.25 X 20	2	

BRAKES, PARK W/ HYDRAULIC  
 BRAKES, PARK W/ HYDRAULIC

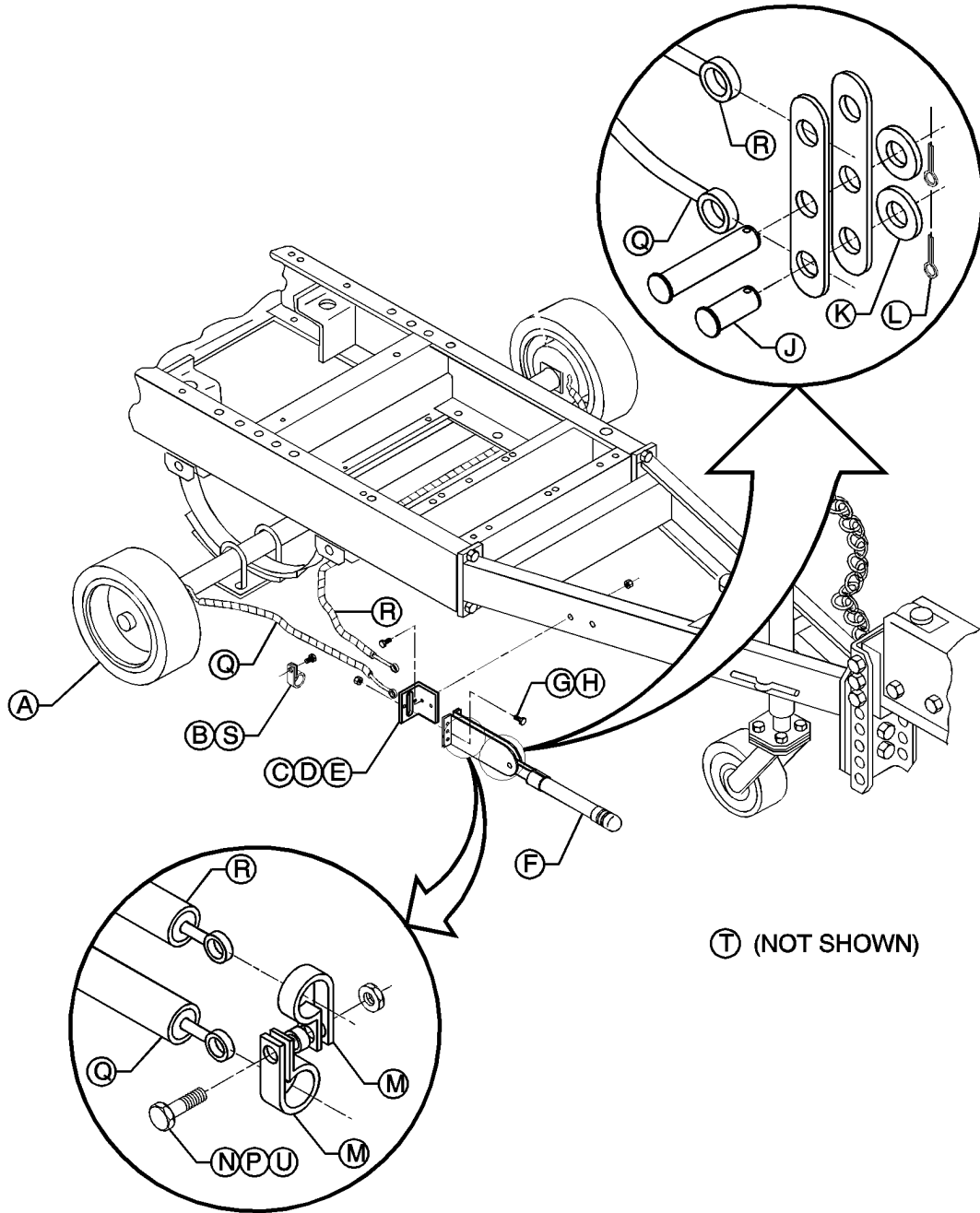


Ⓣ (NOT SHOWN)

PLAT\_A\_OPT\_013\_04/04\_A

ITEM	COMM. NO.	DESCRIPTION	QTY	DIMENSIONS/NOTES
A	54675756	RUNNING GEAR w/ BRAKES	1	
B	35134477	CLAMP, RUBBER COATED	1	
C	35116433	BRACKET, BRAKE LEVER	1	
D	96704309	SCREW, HEX M10-1.5 X 35	2	
E	96735550	NUT, HEX M10	2	
F	35370055	LEVER, PARKING BRAKE	1	
G	96702659	SCREW, HEX M08-1.25 X 25	2	
H	96735543	NET, HEX M08	2	
J	36846780	PIN, CLEVIS .31 X .75	2	
K	95934998	WASHER, FLAT 3/8	2	

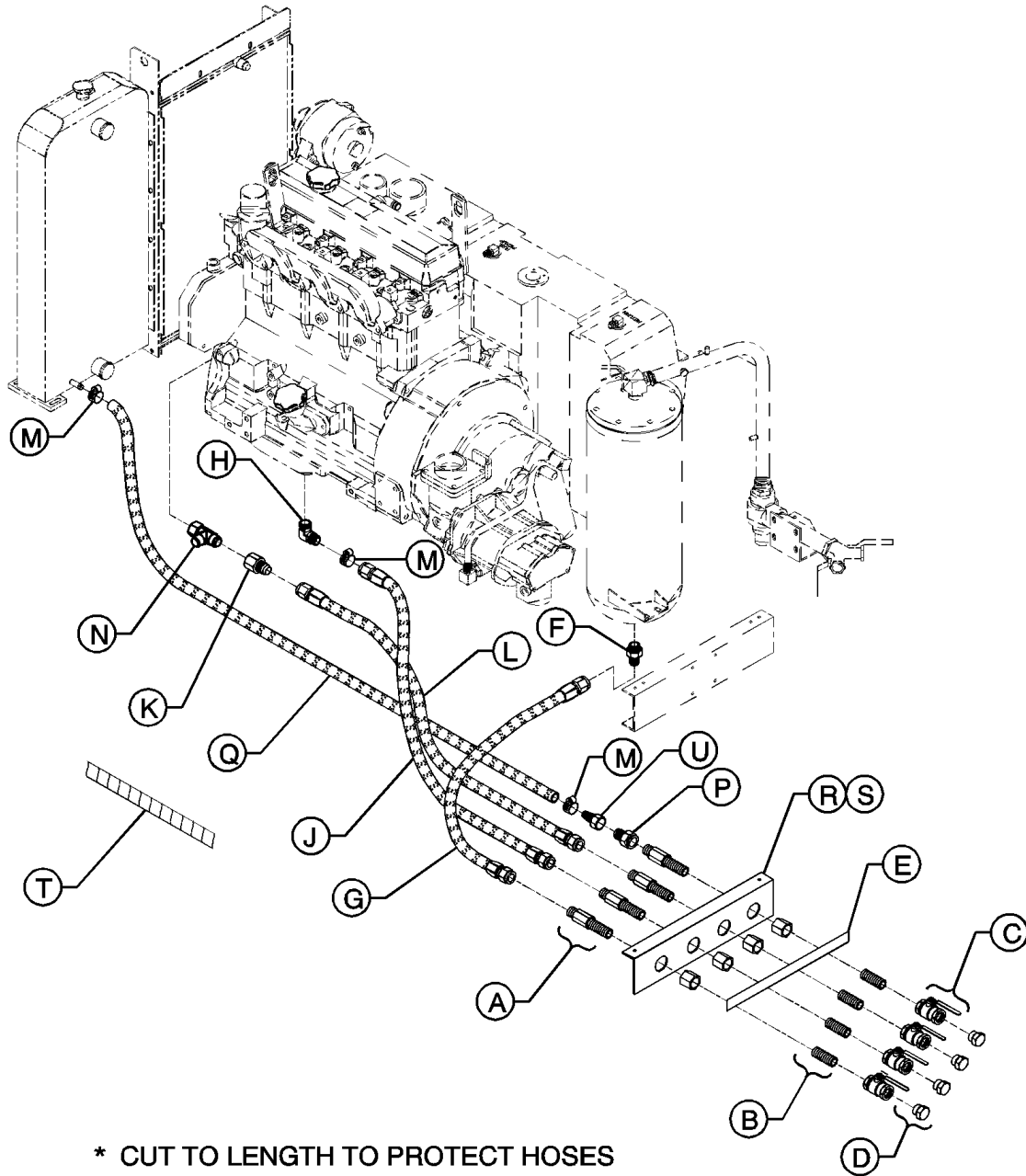
BRAKES, PARK W/ HYDRAULIC  
 BRAKES, PARK W/ HYDRAULIC



PLAT\_A\_OPT\_013\_04/04\_A

ITEM	COMM. NO.	DESCRIPTION	QTY	DIMENSIONS/NOTES
L	95928867	PIN, COTTER .09	2	
M	35126325	CLAMP, CABLE	2	
N	95929006	SCREW, HEX 5/16-18 X 1	1	
P	35126358	SPACER	1	
Q	35517176	CABLE ASM., 78" BRAKE	1	
R	35594076	CABLE ASM., 117" BRAKE	1	
S	35300771	SCREW, TAPPING M06-1.0 X 20	1	
T	35253038	CLAMP, RUBBER COATED	3	
U	35252600	NUT, LOCKING 5/16-18	1	

DRAINS, CENTRAL  
DRAINS, CENTRAL

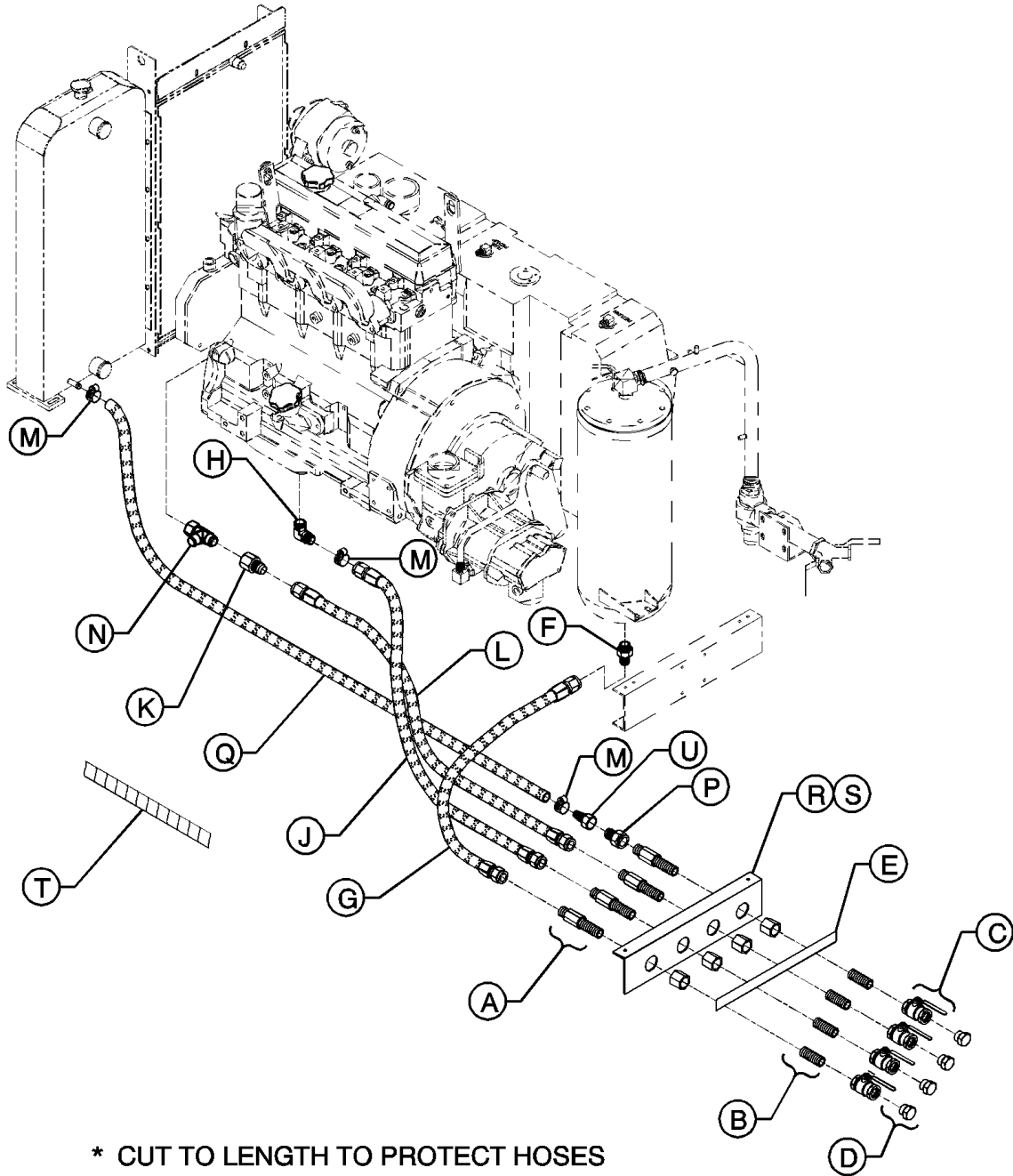


\* CUT TO LENGTH TO PROTECT HOSES

PLAT\_A\_OPT\_014\_04/04\_B

ITEM	COMM. NO.	DESCRIPTION	QTY	DIMENSIONS/NOTES
A	35287747	BULKHEAD, FITTING	4	
B	95928040	NIPPLE, CLOSE 3/4	4	
C	36777399	VALVE, BALL 3/4 T-HANDLE	4	
D	95947149	PLUG, HEX COUNTER SINK	4	
E	54629977	DECAL, CENTRAL DRAIN	1	
F	35295880	CONNECTOR, SAE 1.06-12JIC	1	
G	35295807	HOSE ASM., -12JIC X 24"	1	
H	22104129	ELBOW, 90o M22 X -10JIC	1	
J	35323807	HOSE, -12JIC X 68"	1	
K	35358050	ADAPTER, -16JIC TO -12JIC	1	

DRAINS, CENTRAL  
DRAINS, CENTRAL



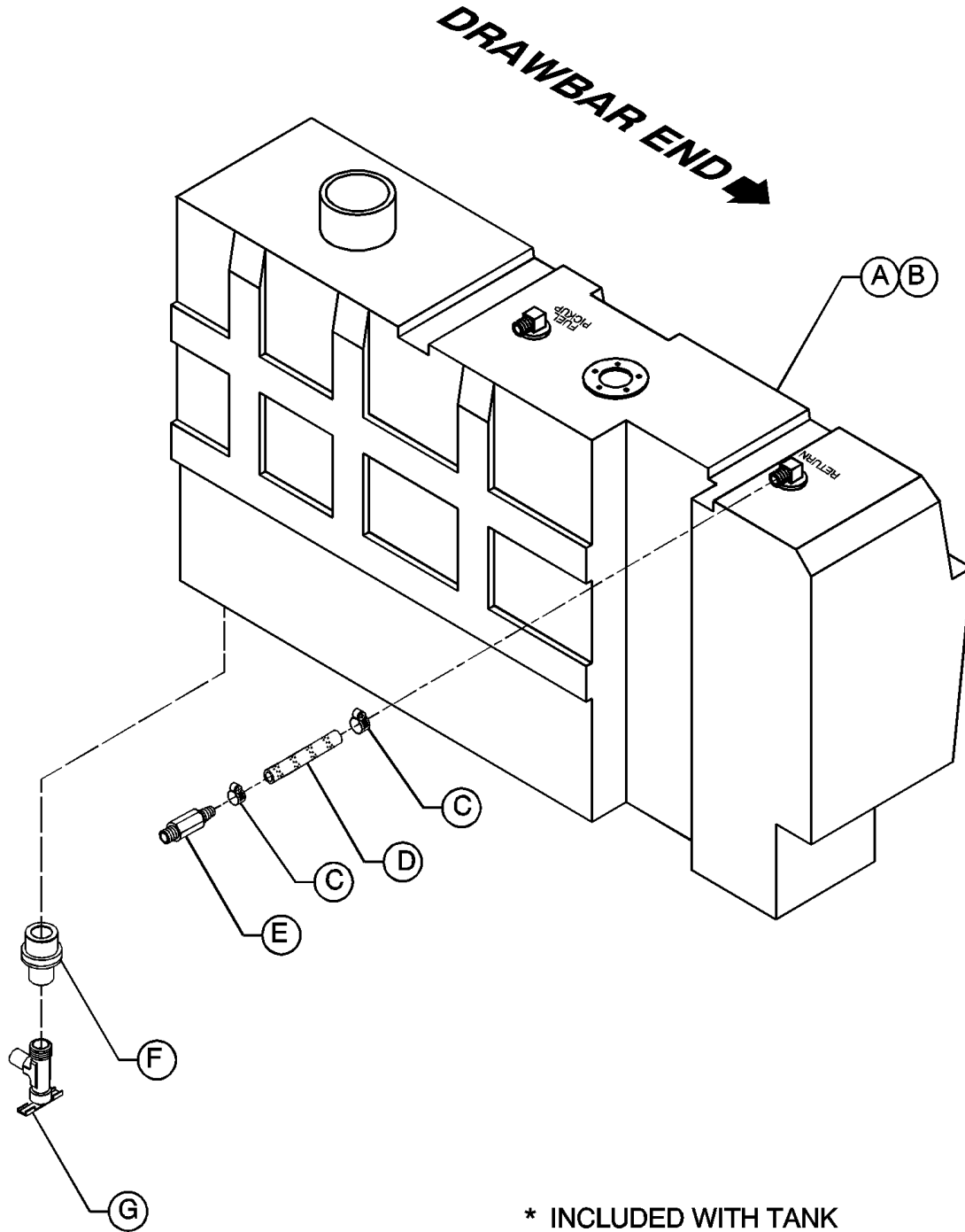
\* CUT TO LENGTH TO PROTECT HOSES

PLAT\_A\_OPT\_014\_04/04\_B

ITEM	COMM. NO.	DESCRIPTION	QTY	DIMENSIONS/NOTES
L	35323815	HOSE	1	
M	95220844	CLAMP, HOSE 9/16	3	
N	35295641	TEE, SWIVEL NUT -16JIC	1	
P	35365774	REDUCER, TUBE	1	
Q	36892479	HOSE	1	
R	36884120	SUPPORT, CENTRAL DRAIN	1	
S	96702444	SCREW, HEX M12-1.75 X 40	4	
T	35291236	COIL, PLASTIC	36"	* SEE NOTE
U	95339552	FITTING, -8JIC HOSE	1	



DRAIN, FUEL TANK  
DRAIN, FUEL TANK

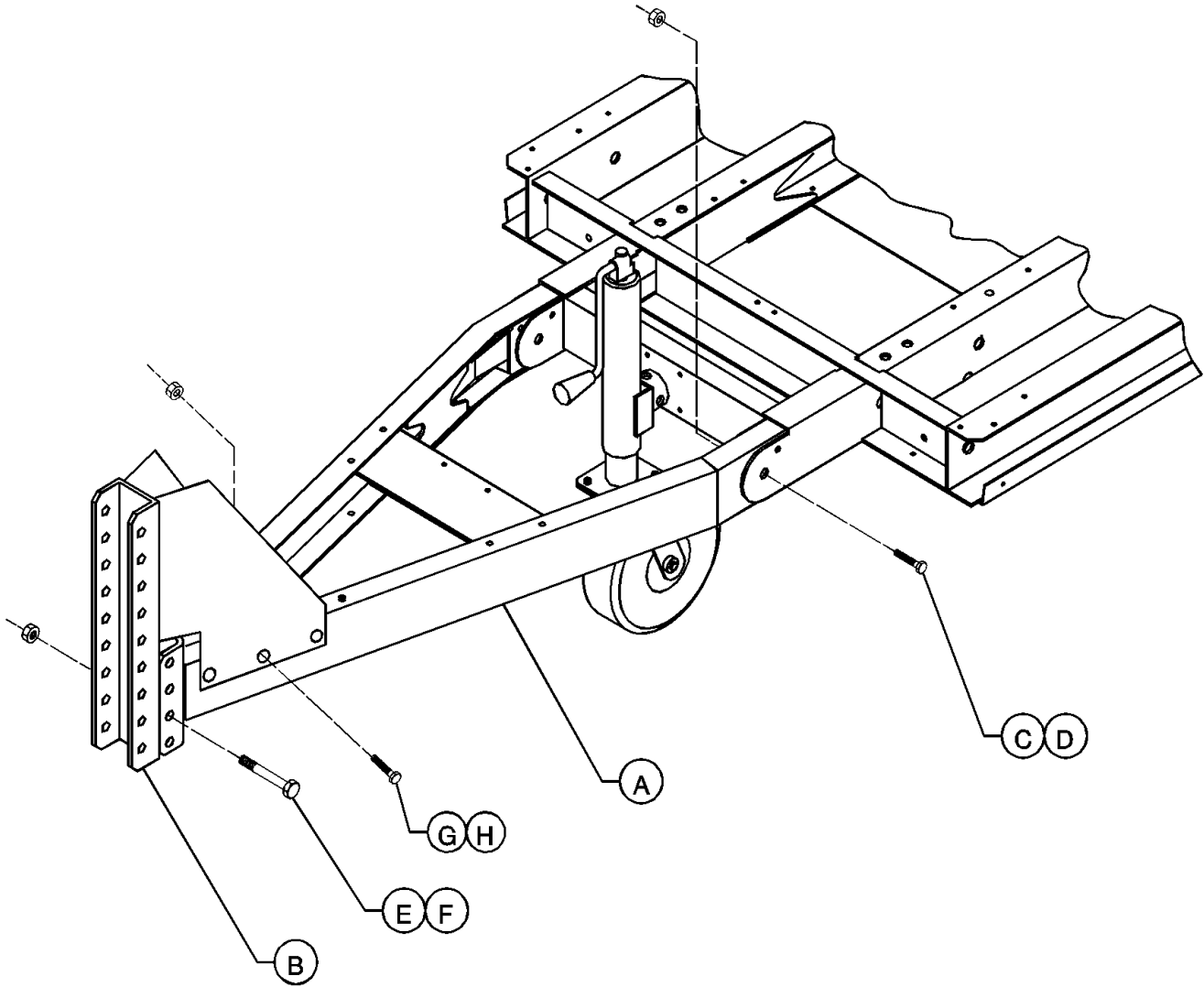


\* INCLUDED WITH TANK

PLAT\_A\_OPT\_015\_04/04\_A

ITEM	COMM. NO.	DESCRIPTION	QTY	DIMENSIONS/NOTES
A	36922813	TANK, FUEL	1	
B	35384577	BUSHING	2	* SEE NOTE
C	35296342	CLAMP, WORM GEAR	2	
D	35363498	HOSE, .31 FUEL	2"	
E	36845493	FILTER, FUEL	1	
F	36891596	ADAPTER, FUEL TANK	1	
G	36782467	VALVE, DRAIN	1	

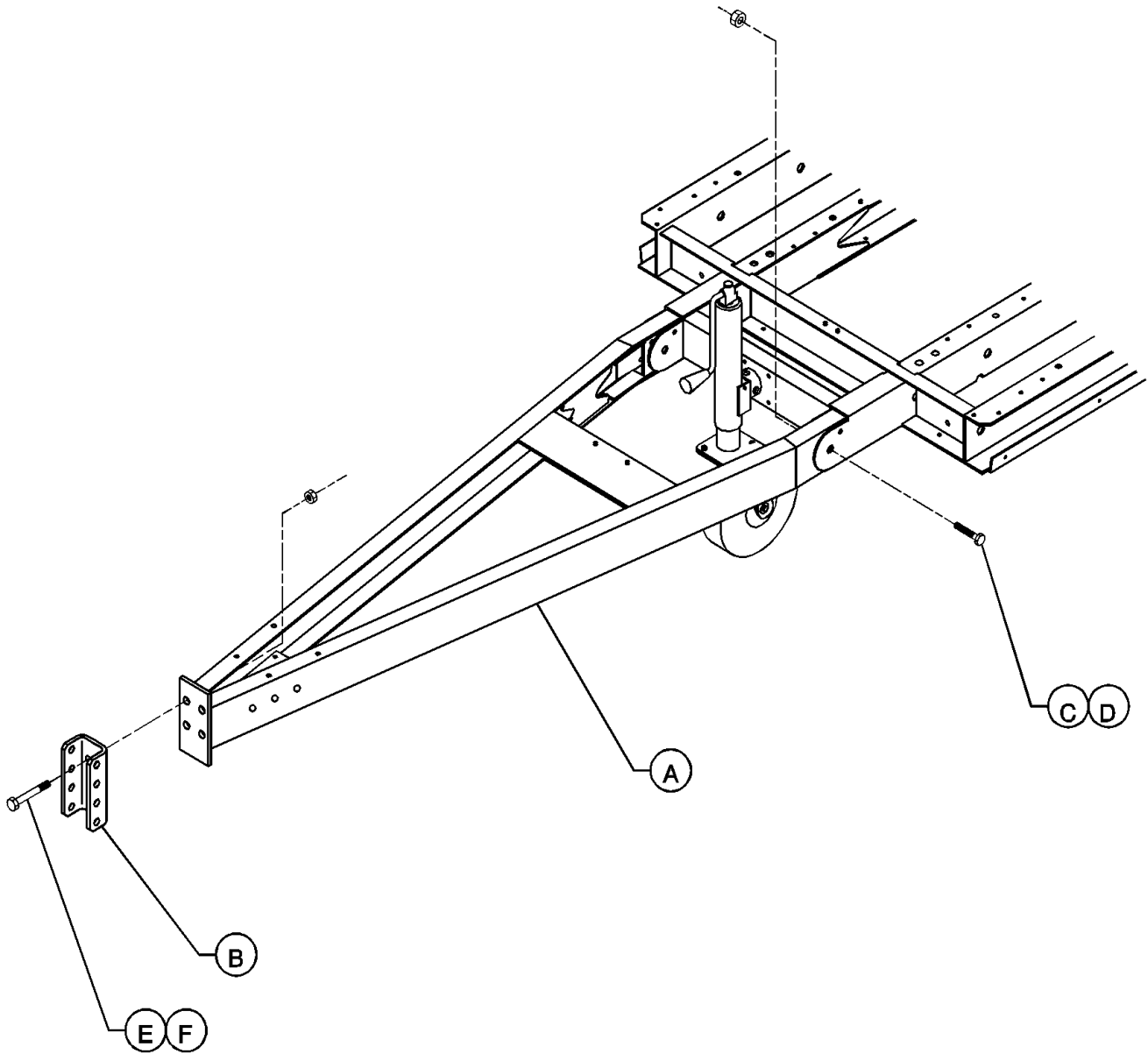
DRAWBAR, ADJUSTABLE HEIGHT  
 DRAWBAR, ADJUSTABLE HEIGHT



PLAT\_A\_OPT\_016\_04/04\_A

ITEM	COMM. NO.	DESCRIPTION	QTY	DIMENSIONS/NOTES
A	36886364	DRAWBAR	1	
B	36882660	LUNETTE, ADJUSTABLE HEIGHT	1	
C	35290113	SCREW, HEX M16-2.0 X 75	2	
D	96704630	NUT, NYLOC M16	2	
E	35376094	SCREW, HEX M16-2.0 X 12	2	
F	96701750	NUT, HEX M16	2	
G	36879492	SCREW, HEX FLANGE M12-1.75 X 25	6	
H	36879203	NUT, HXE FLANGE M12	6	

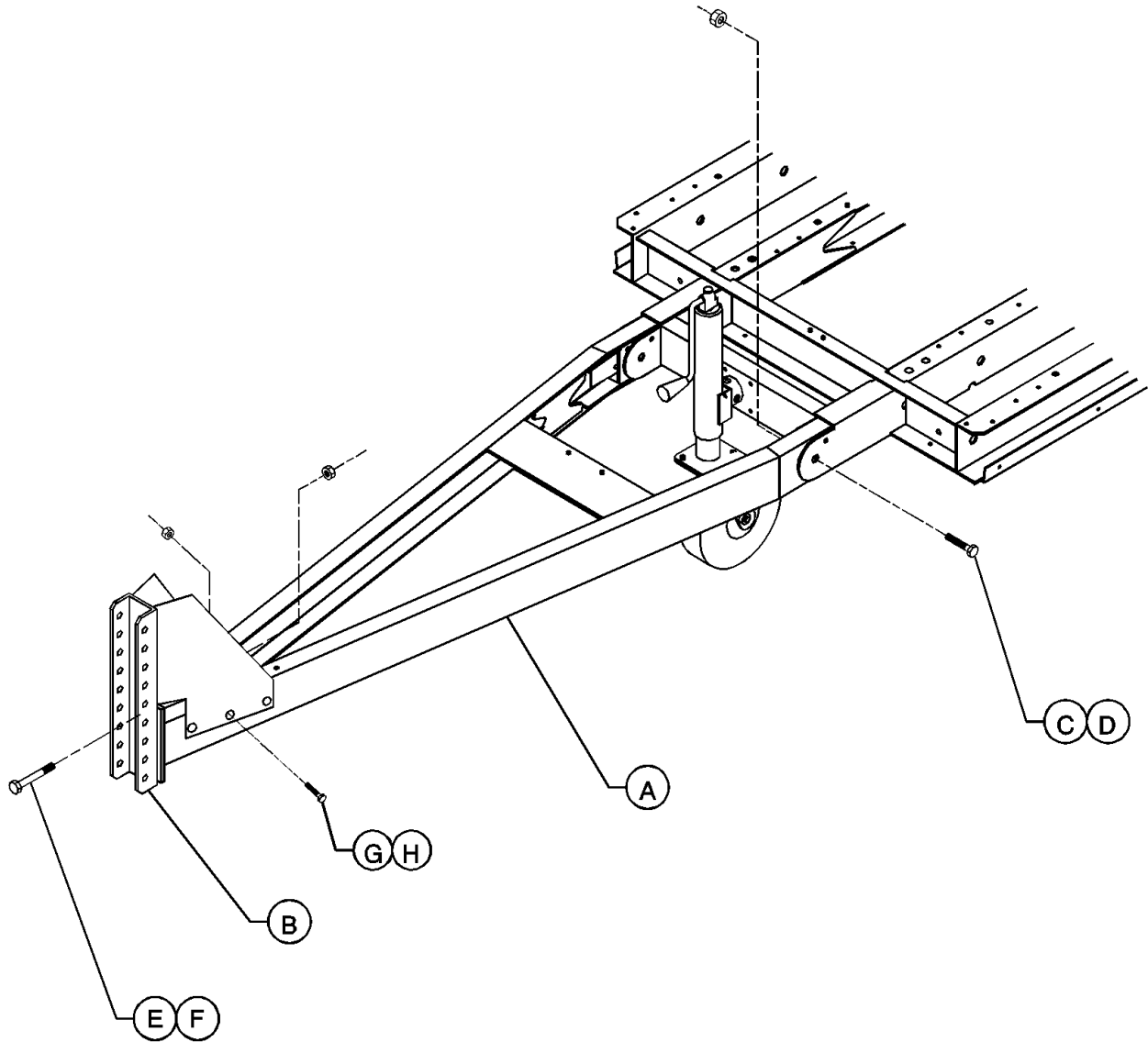
DRAWBAR, EXTENDED  
DRAWBAR, EXTENDED



PLAT\_A\_OPT\_017\_04/04\_A

ITEM	COMM. NO.	DESCRIPTION	QTY	DIMENSIONS/NOTES
A	22125033	DRAWBAR, EXTENDED	1	
B	36757284	CHANNEL, PINTEL MOUNTING	1	
C	35290113	SCREW, HEX M16-2.0 X 75	2	
D	96704630	NUT, NYLOC M16	2	
E	39179072	SCREW, HEX M16-2.0 X 50	4	
F	36879211	NUT, HEX FLANGE M16	4	

DRAWBAR, EXTENDED / ADJUSTABLE HEIGHT  
 DRAWBAR, EXTENDED / ADJUSTABLE HEIGHT



PLAT\_A\_OPT\_018\_04/04\_A

ITEM	COMM. NO.	DESCRIPTION	QTY	DIMENSIONS/NOTES
A	22125033	DRAWBAR, EXTENDED	1	
B	36882652	LUNETTE, ADJUSTABLE HEIGHT	1	
C	35290113	SCREW, HEX M16-2.0 X 75	2	
D	96704630	NUT, NYLOC M16	2	
E	39179072	SCREW, HEX M16-2.0 X 50	4	
F	36879211	NUT, HEX FLANGE M16	4	
G	36879492	SCREW, HEX FLANGE M12-1.75 X 25	6	
H	36879203	NUT, HXE FLANGE M12	6	

GAUGE, 4-in-1  
 GAUGE, 4-in-1

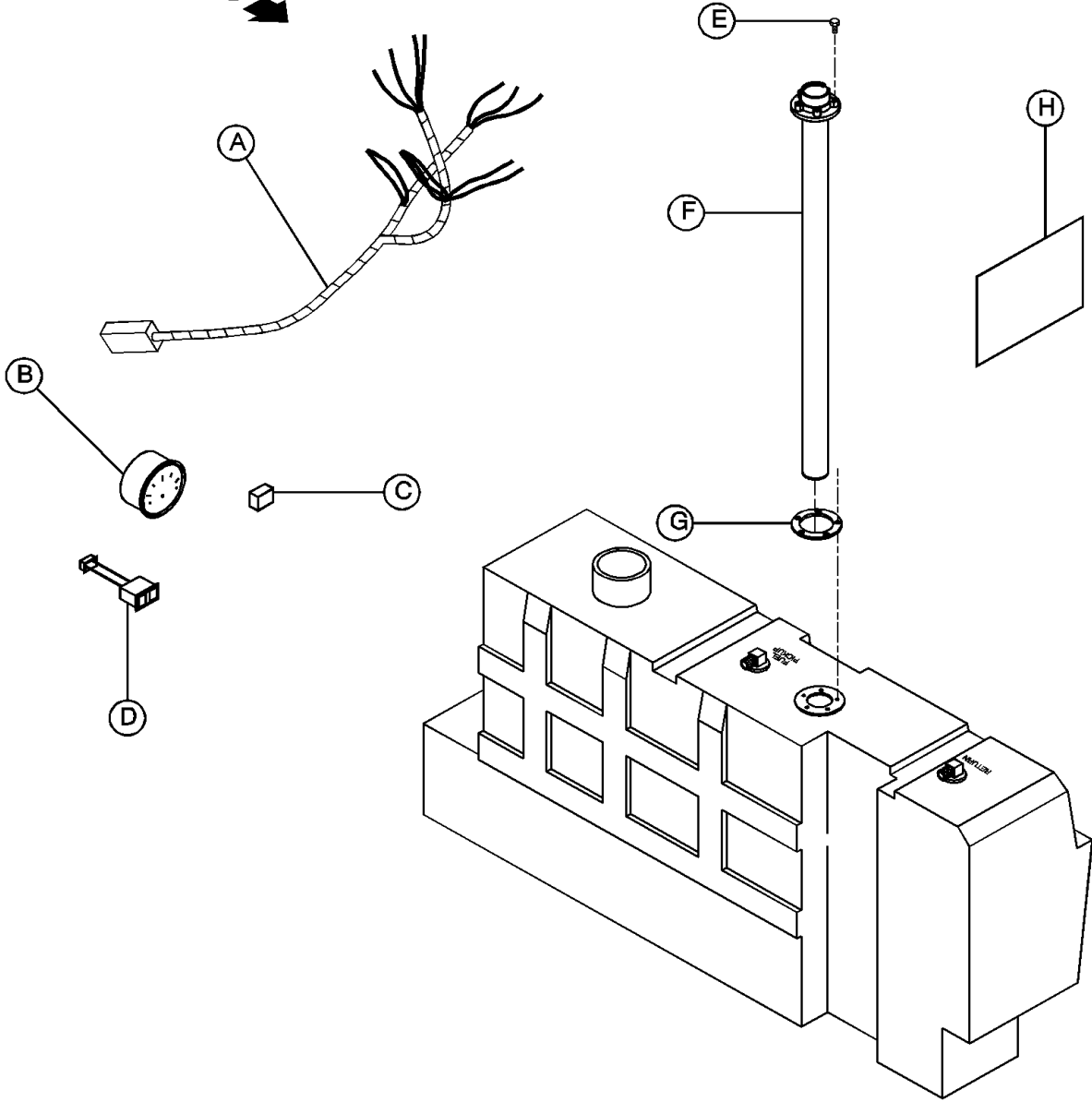


PLAT\_A\_OPT\_019\_04/04\_A

ITEM	COMM. NO.	DESCRIPTION	QTY	DIMENSIONS/NOTES
A	54749601	FRAME, WW INSTRUMENT PANEL	1	
B	22171680	PANEL, INSTRUMENT	1	
C	22171698	DECAL, WW INSTRUMENT PANEL	1	
D	22058291	GAUGE, 4-in-1	1	
E	35367218	SENDER, ENGINE TEMPERATURE	1	
F	35372457	SENDER, DISCHARGE TEMPERATURE	1	
G	35278571	O-RING	1	
H	22219729	HARNESS, OPTION WIRING	1	
J	22361828	DECAL, OPTION WIRING	1	
K	39127287	TEE, 1/8 STREET	1	
L	36870608	SENDER, OIL PRESSURE	1	

GAUGE, FUEL LEVEL  
 GAUGE, FUEL LEVEL

**DRAWBAR END** →



PLAT\_A\_OPT\_020\_04/04\_A

ITEM	COMM. NO.	DESCRIPTION	QTY	DIMENSIONS/NOTES
A	22219711	HARNES, FUEL GAUGE	1	
B	54774096	GAUGE, FUEL	1	
C	54368048	RELAY	1	
D	54774112	MODULE, 2 LIGHT WARNING	1	
E	95916532	SCREW, FILLISTER HD #10-32 X 1/2	5	
F	22058531	SENDER, FUEL LEVEL	1	
G	35361849	GASKET, FUEL SENDER	1	
H	22339196	DECAL, FUEL OPTION	1	

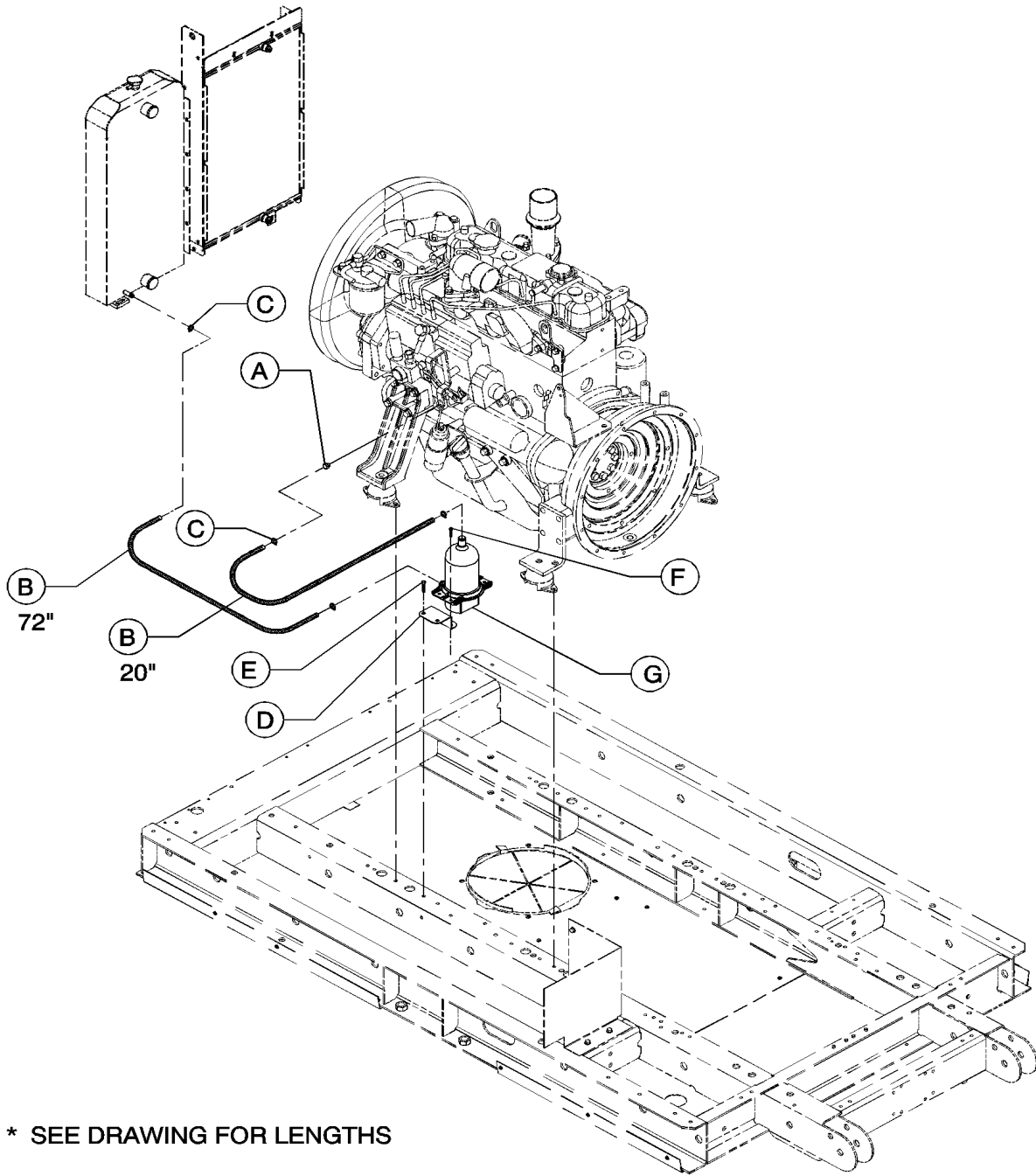
GAUGE, TACHOMETER  
 GAUGE, TACHOMETER

PAGE INTENTIONALLY BLANK LEFT FOR TACHOMETER OPTION

PLAT\_A\_OPT\_021\_04/04\_A

ITEM	COMM. NO.	DESCRIPTION	QTY	DIMENSIONS/NOTES
A	54749601	FRAME, WW INSTRUMENT PANEL	1	
B	22171680	PANEL, INSTRUMENT	1	
C	22171698	DECAL, WW INSTRUMENT PANEL	1	
D	22055883	GAUGE, TACHOMETER	1	
E	22137426	LAMP,28V	1	
F	22219729	HARNESS, OPTION WIRING	1	
G	22361828	DECAL, OPTION WIRING	1	

HEATER, BLOCK  
HEATER, BLOCK



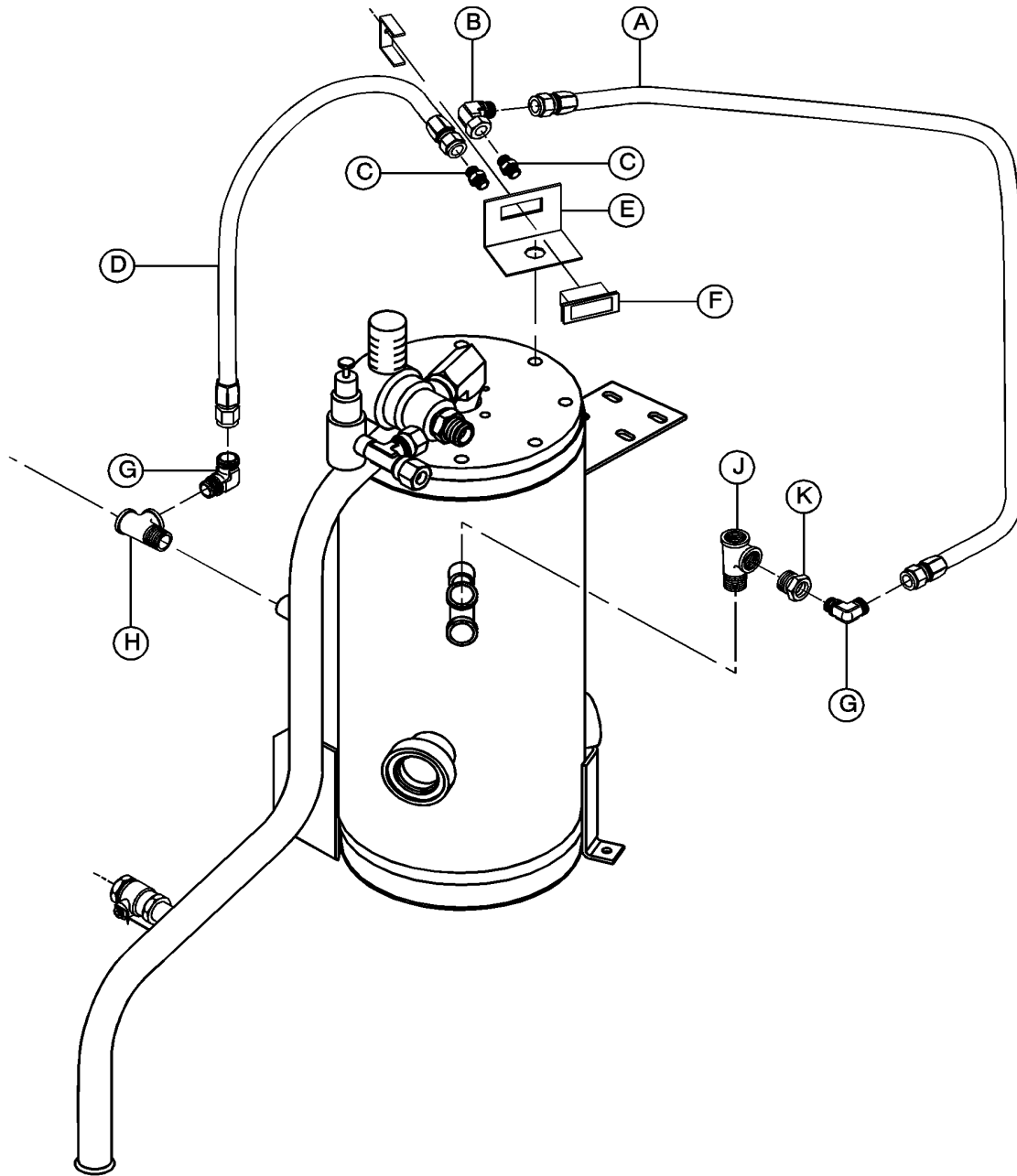
\* SEE DRAWING FOR LENGTHS

PLAT\_A\_OPT\_024\_04/04

ITEM	COMM. NO.	DESCRIPTION	QTY	DIMENSIONS/NOTES
A	95938601	BUSHING, REDUCING	1	
B	35326578	HOSE, HEATER	*	SEE LENGTHS ABOVE
C	95220844	CLAMP, HOSE	4	
D	54593967	BRACKET, HEATER	1	
E	35279025	SCREW, TAPPING M08-1.25 X 20	2	
F	92368687	SCREW, TAPPING M06-1.0 X 12	2	
G	54541263	TANK, HEATER	1	



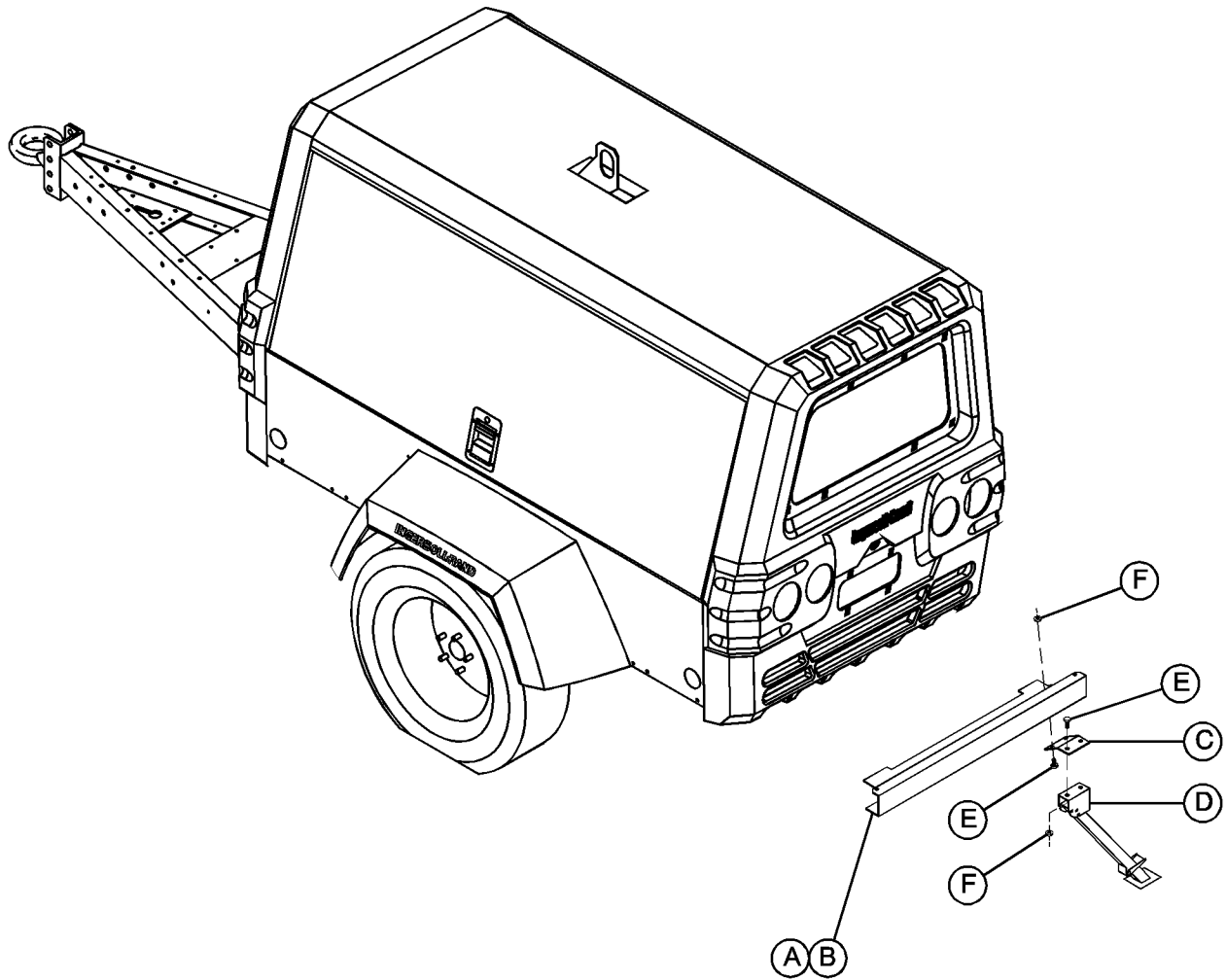
INDICATOR, SEPARATOR DELTA P  
 INDICATOR, SEPARATOR DELTA P



PLAT\_A\_OPT\_025\_04/04\_A

ITEM	COMM. NO.	DESCRIPTION	QTY	DIMENSIONS/NOTES
A	35358662	HOSE, -4JIC X 19"	1	
B	95287629	ADAPTER, 1/8 NPT X 1/4 JIC	2	
C	35260352	ELBOW, SWIVEL NUT -4 JIC	1	
D	35315407	HOSE, -4 JIC X 24"	1	
E	36841922	BRACKET, SEP INDICATOR MOUNTING	1	
F	35825546	INDICATOR, SEPARATOR ELEMENT	1	
G	35283464	ELBOW, 1/4 NPT X -4 JIC	2	
H	95944690	TEE, STREET 1/4 NPT	1	
J	35301373	TEE, STREET 1/2 NPT	1	
K	95944625	BUSHING, REDUCING 1/2 NPT X 1/4 NPT	1	

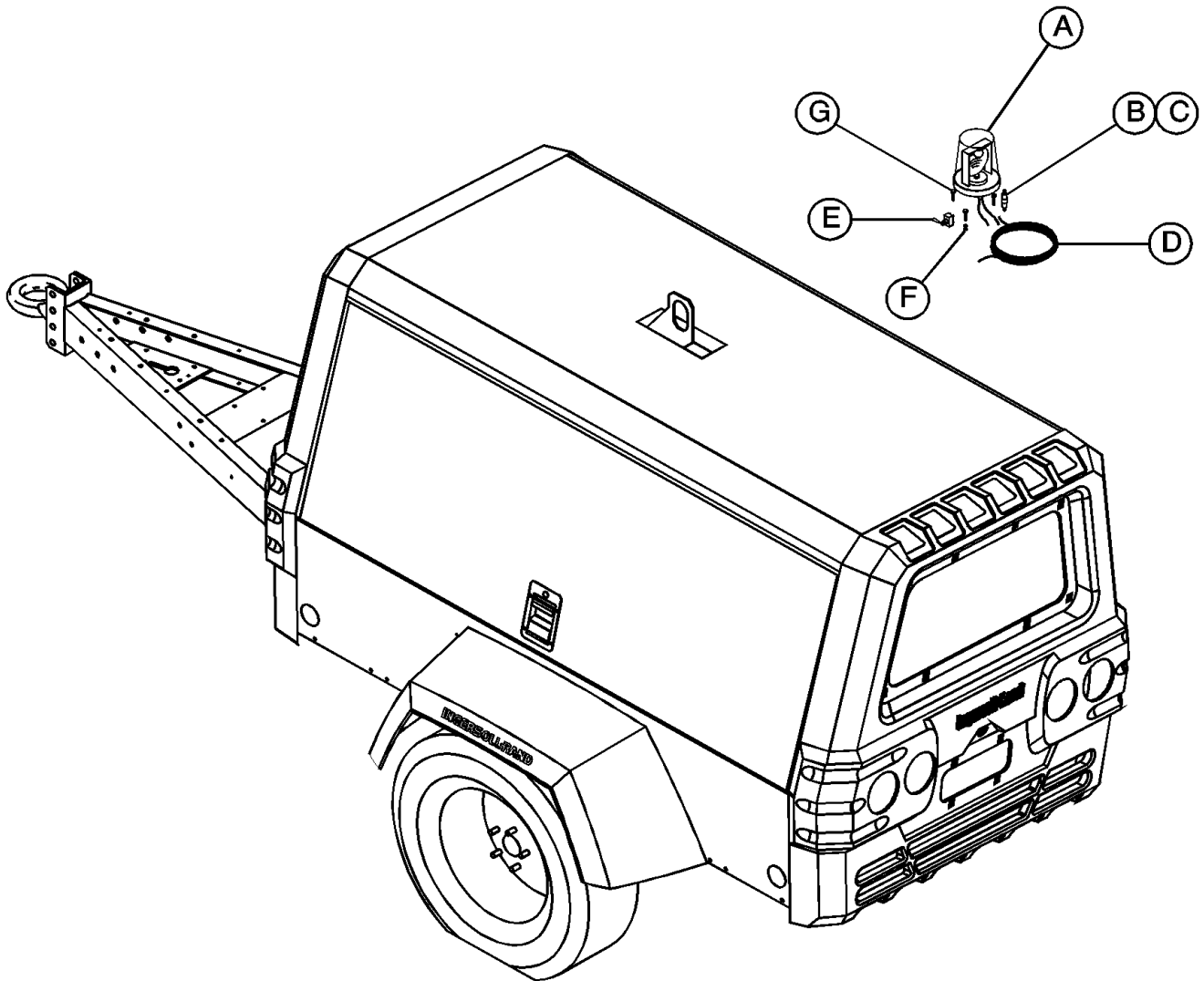
DROPLEG, BUMPER w/ REAR  
 DROPLEG, BUMPER w/ REAR



PLAT\_A\_OPT\_026\_04/04\_A

ITEM	COMM. NO.	DESCRIPTION	QTY	DIMENSIONS/NOTES
A	36921930	BUMPER	1	
B	35148030	SCREW, TAPPING 1/2-13 X 1"	4	
C	36778124	BRACKET, DROPLEG	1	
D	36726586	DROPLEG	1	
E	35376953	SCREW, HEX M10-1.50 X 20	4	
F	36879195	NUT, HEX M10-1.50	4	

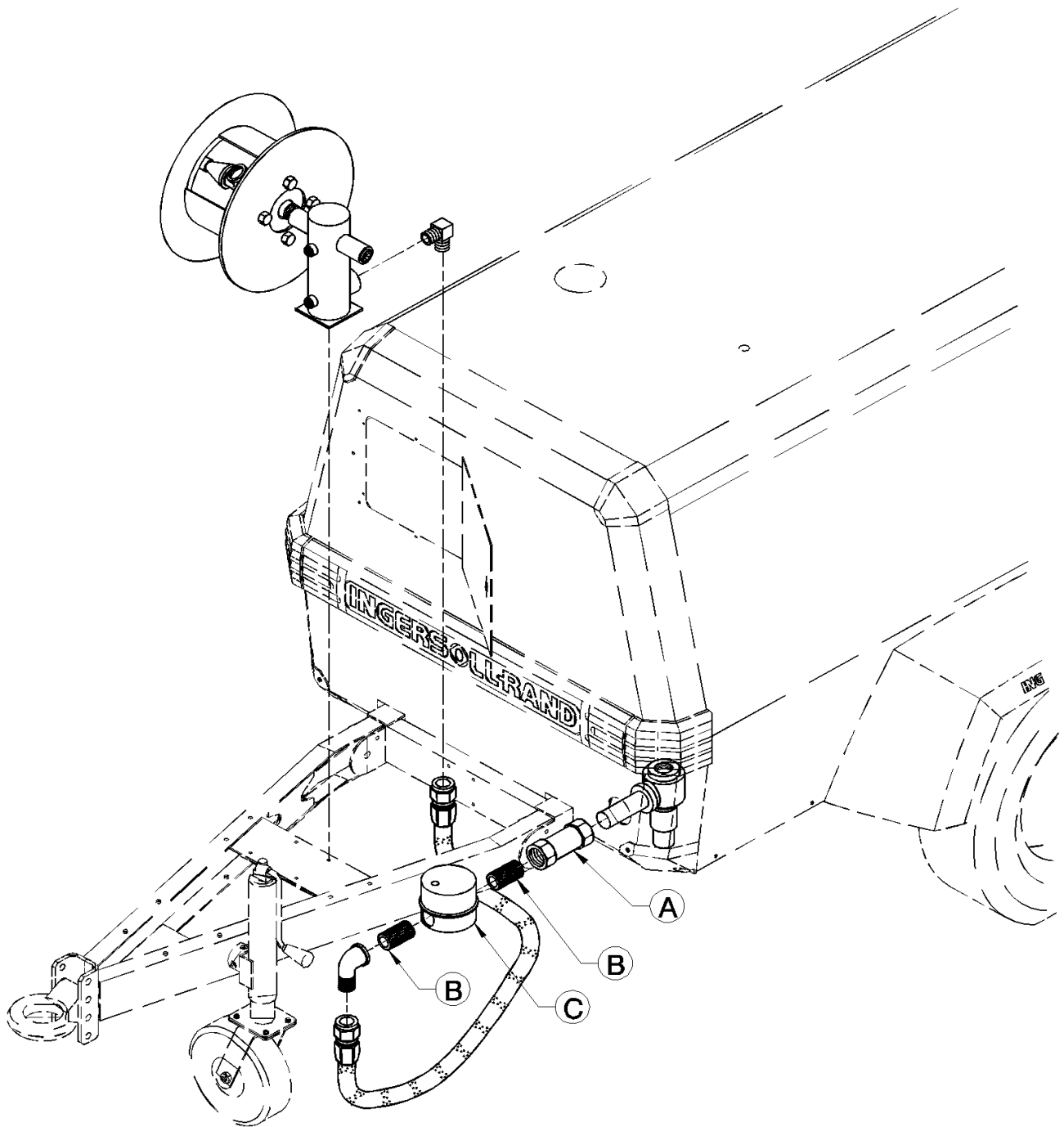
LIGHT, REVOLVING AMBER  
 LIGHT, REVOLVING AMBER



PLAT\_A\_OPT\_027\_04/04\_A

ITEM	COMM. NO.	DESCRIPTION	QTY	DIMENSIONS/NOTES
A	35366111	LIGHT, AMBER FLASHNG	1	
B	35316645	FUSEHOLDER	1	
C	35298041	FUSE, 20 AMP	1	
D	35124114	WIRE, 14 AWG	120"	
E	35337435	SWITCH, TOGGLE	6	
F	95163473	SCREW, HEX #10-32 X 1.25"	3	

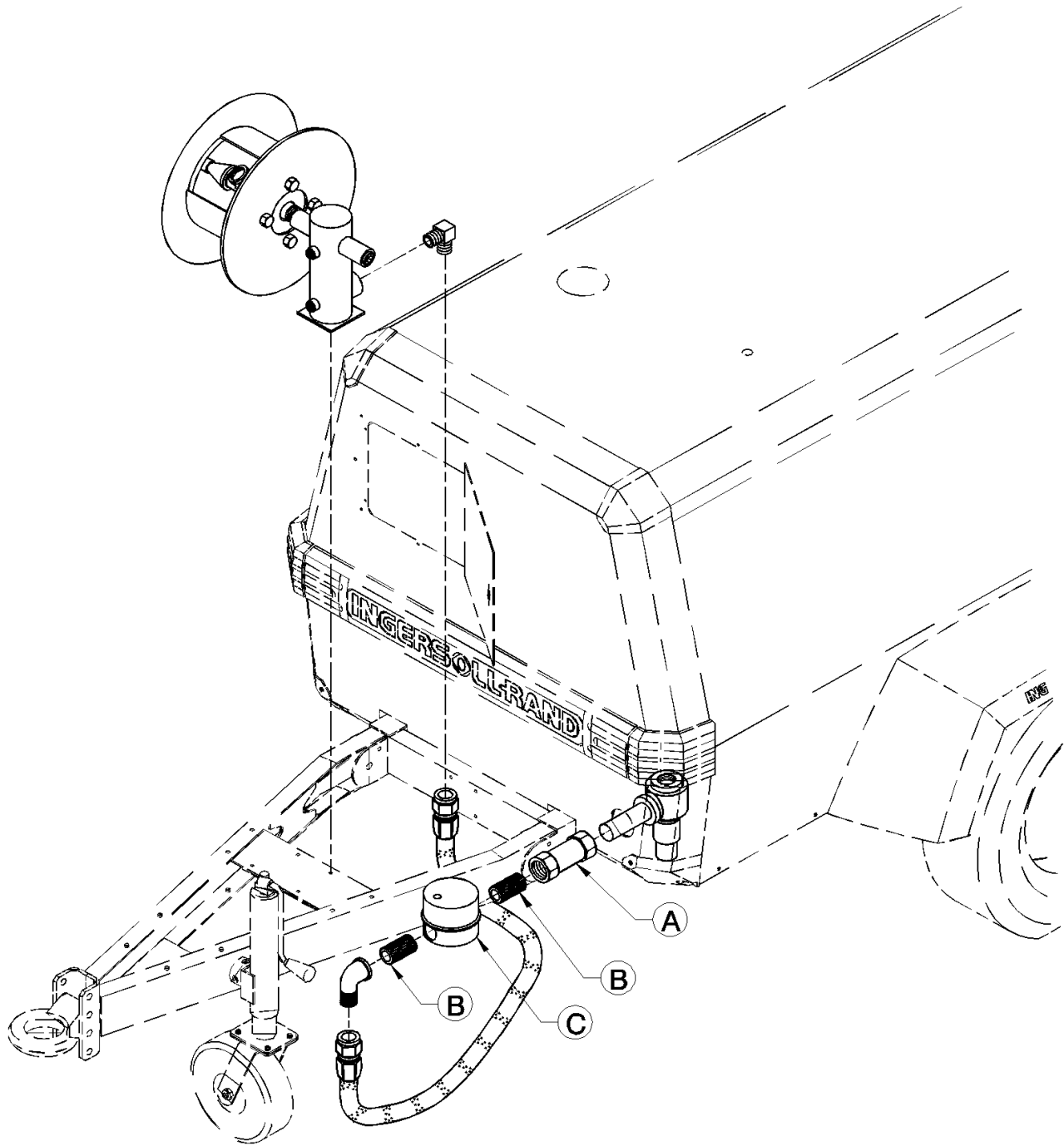
OILER, 1 QUART HOSE REEL  
 OILER, 1 QUART HOSE REEL



PLAT\_A\_OPT\_028\_04/04\_A

ITEM	COMM. NO.	DESCRIPTION	QTY	DIMENSIONS/NOTES
A	95941373	UNION, 1-1/4 NPT	1	
B	95953600	NIPPLE, 1-1/4 X 2	2	
C	35255025	LUBRICATOR, 1 QT.	1	

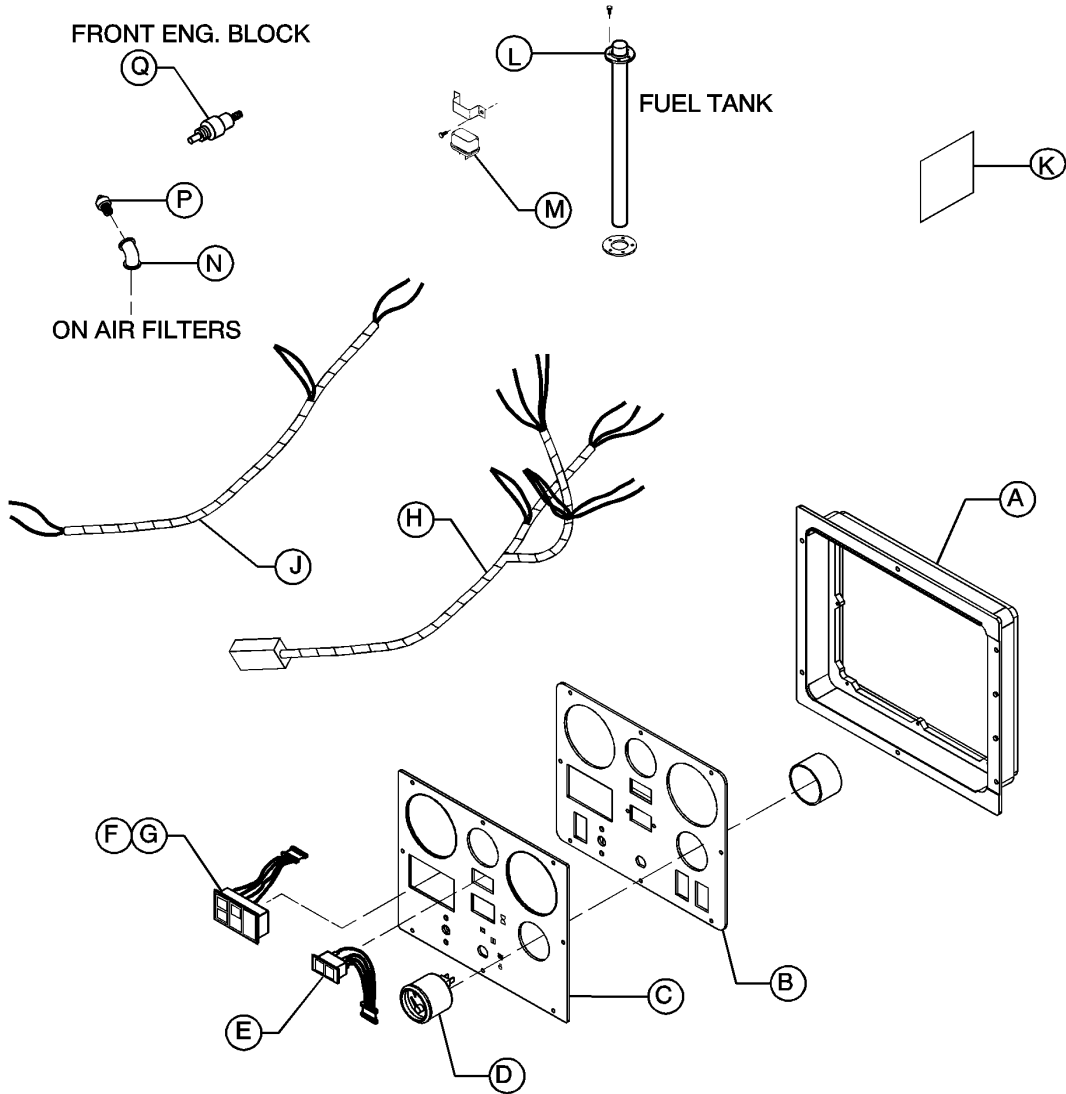
OILER, 2 QUART HOSE REEL  
 OILER, 2 QUART HOSE REEL



PLAT\_A\_OPT\_028\_04/04\_A

ITEM	COMM. NO.	DESCRIPTION	QTY	DIMENSIONS/NOTES
A	95941373	UNION, 1-1/4 NPT	1	
B	95953600	NIPPLE, 1-1/4 X 2	2	
C	35356252	LUBRICATOR, 2 QT.	1	

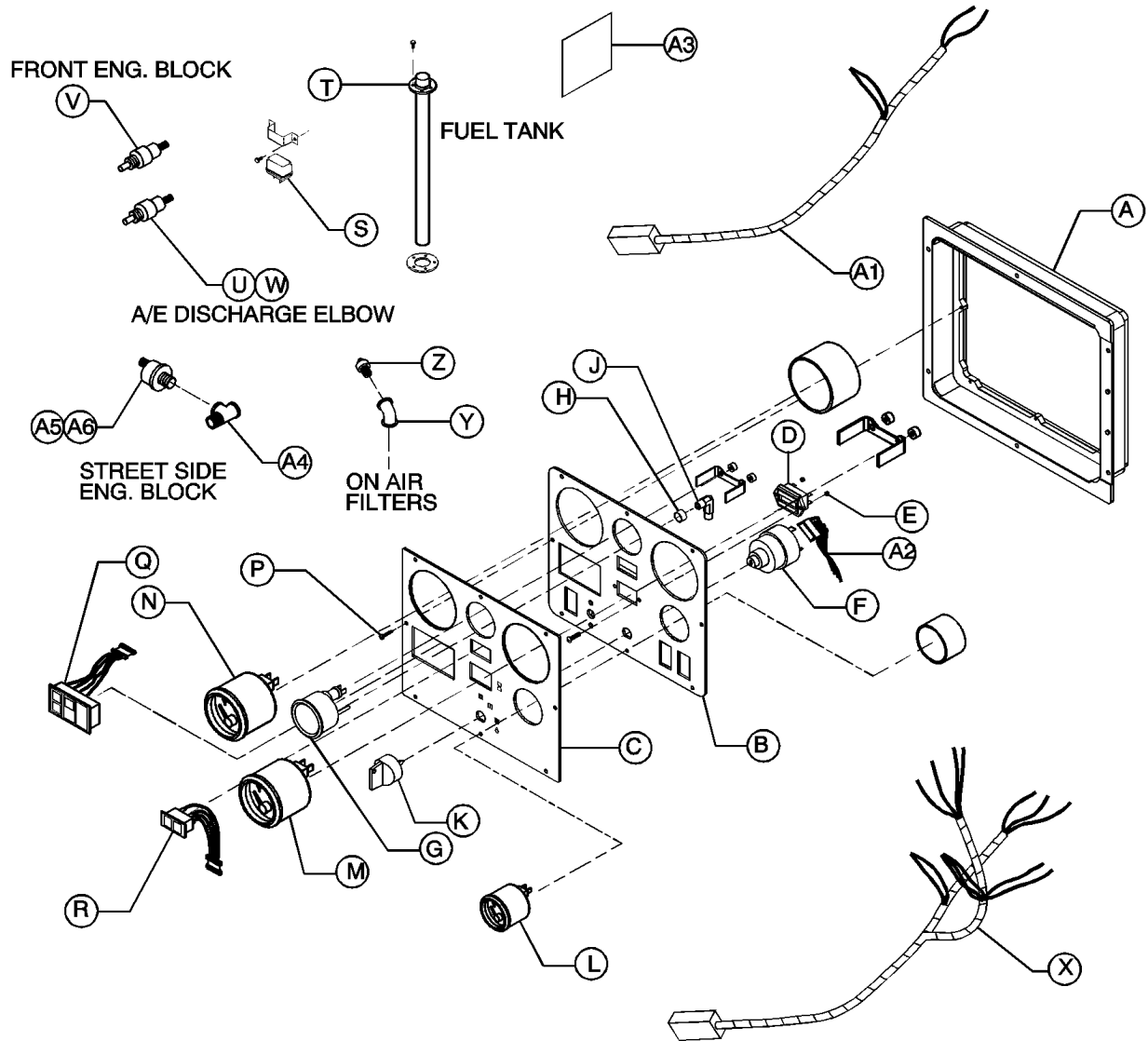
PANEL, FULL DIAGNOSTICS INSTRUMENT w/ ELECTRIC AFRI  
 PANEL, FULL DIAGNOSTICS INSTRUMENT w/ ELECTRIC AFRI



PLAT\_A\_OPT\_030\_04/04\_A

ITEM	COMM. NO.	DESCRIPTION	QTY	DIMENSIONS/NOTES
A	54749601	FRAME, WW INSTRUMENT PANEL	1	
B	22171680	PANEL, INSTRUMENT	1	
C	22171698	DECAL, WW INSTRUMENT PANEL	1	
D	54774096	GAUGE, FUEL LEVEL	1	
E	54774112	MODULE, 2 LIGHT WARNING	1	
F	22347009	MODULE, 4 LIGHT DIAGNOSTIC	1	
G	22347017	LIGHTS, DIAGNOSTIC	1	
H	22219729	HARNESS, OPTION WIRING	1	
J	36842839	HARNESS, AIR FILTER RESTRICTION	1	
K	22361828	DECAL, OPTION WIRING	1	
L	22058531	SENDER, FUEL LEVEL	1	
M	54368048	RELAY, FUEL SHUTDOWN	1	
N	95956199	ELBOW, STREET 1/8 NPT X 45o	2	
P	36847838	SWITCH, VACUUM	2	
Q	33567218	SENDER, ENGINE TEMPERATURE	1	

PANEL, FULL GAUGE INSTRUMENT wo/ START-RUN VALVE  
 PANEL, FULL GAUGE INSTRUMENT wo/ START-RUN VALVE

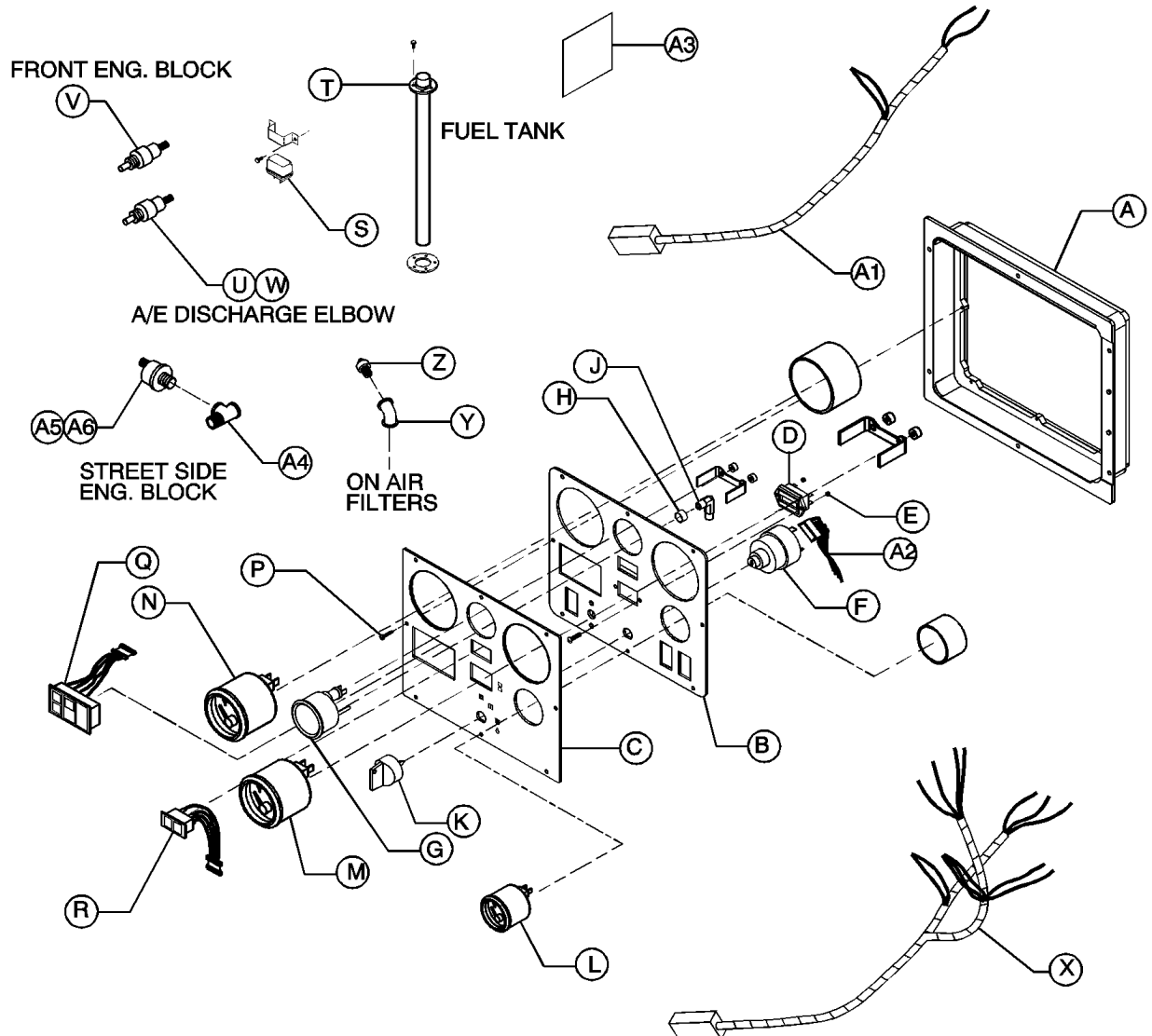


PLAT\_A\_OPT\_031\_04/04\_A

ITEM	COMM. NO.	DESCRIPTION	QTY	DIMENSIONS/NOTES
A	54749601	FRAME, WW INSTRUMENT PANEL	1	
B	22171680	PANEL, INSTRUMENT	1	
C	22171698	DECAL, WW INSTRUMENT PANEL	1	
D	22054175	METER, ELECT/MECH HOUR	1	
E	22054159	NUT, PLASTIC #4-40	2	
F	22127385	SWITCH, IGNITION	1	
G	35604065	GAUGE, 150 PSI PRESSURE	1	
H	95935599	COUPLING, STD 1/8 NPT X .75"	1	
J	35370386	ELBOW, 1/8 NPT X 3/8 TUBE	1	
K	22134118	KNOB ASM.	1	
L	54774096	GAUGE, FUEL LEVEL	1	
M	22058291	GAUGE, 4 in 1	1	
N	22055883	TACHOMETER	1	
P	22070494	SCREW, PAN HD #8-32 X 0.6	8	
Q	54774112	MODULE, 2 LIGHT WARNING	1	

PANEL, FULL GAUGE INSTRUMENT wo/ START-RUN VALVE

PANEL, FULL GAUGE INSTRUMENT wo/ START-RUN VALVE

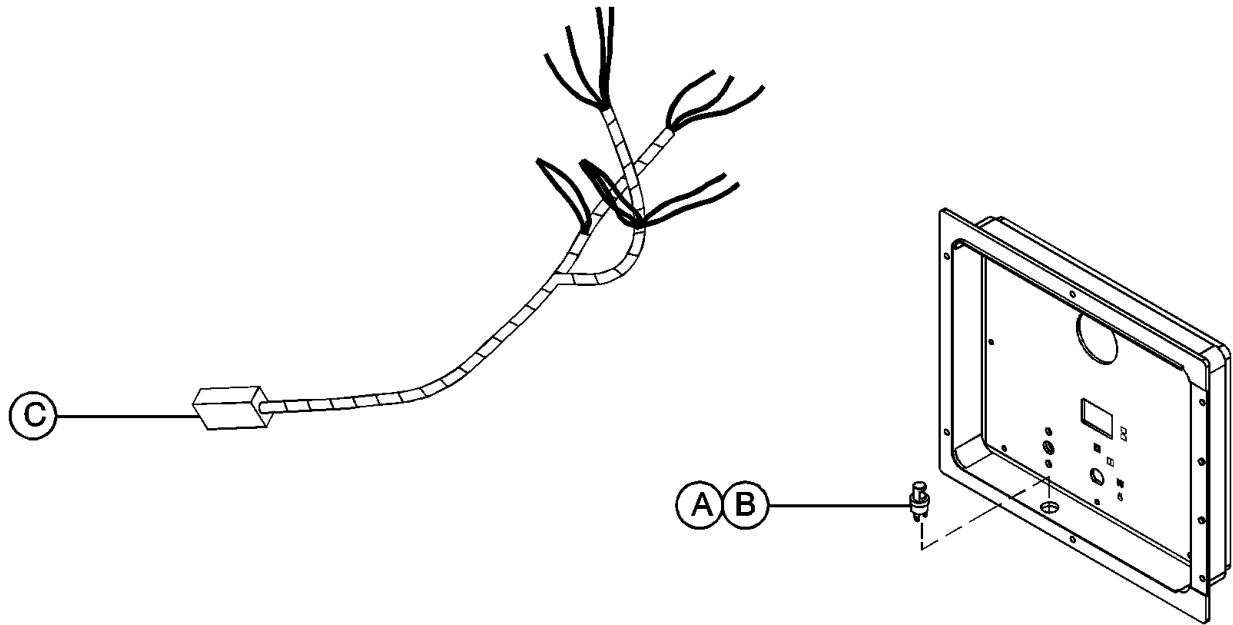


PLAT\_A\_OPT\_031\_04/04\_A

ITEM	COMM. NO.	DESCRIPTION	QTY	DIMENSIONS/NOTES
R	22347009	MODULE, 4 LIGHT DIAGNOSTIC	1	
S	54368048	RELAY, FUEL SHUTDOWN	1	
T	22058531	SENDER, FUEL LEVEL	1	
U	35372457	SENDER, DISCHARGE TEMPERATURE	1	
V	33567218	SENDER, ENGINE TEMPERATURE	2	
W	35278571	O-RING	1	
X	22219729	HARNESS, OPTION WIRING	1	
Y	95956199	ELBOW, STREET 1/8 NPT X 45o	1	
Z	36847838	SWITCH, VACUUM	1	
A1	36842839	HARNESS, AIR FILTER RESTRICTION	1	
A2	22199079	ADAPTER, SWITCH	1	
A3	22361828	DECAL, OPTION WIRING	1	
A4	39127287	TEE, 1/8 NPT STREET	1	
A5	35327535	TAB, MALE SPADE	8	
A6	36780608	SENDER, OIL PRESSURE	1	



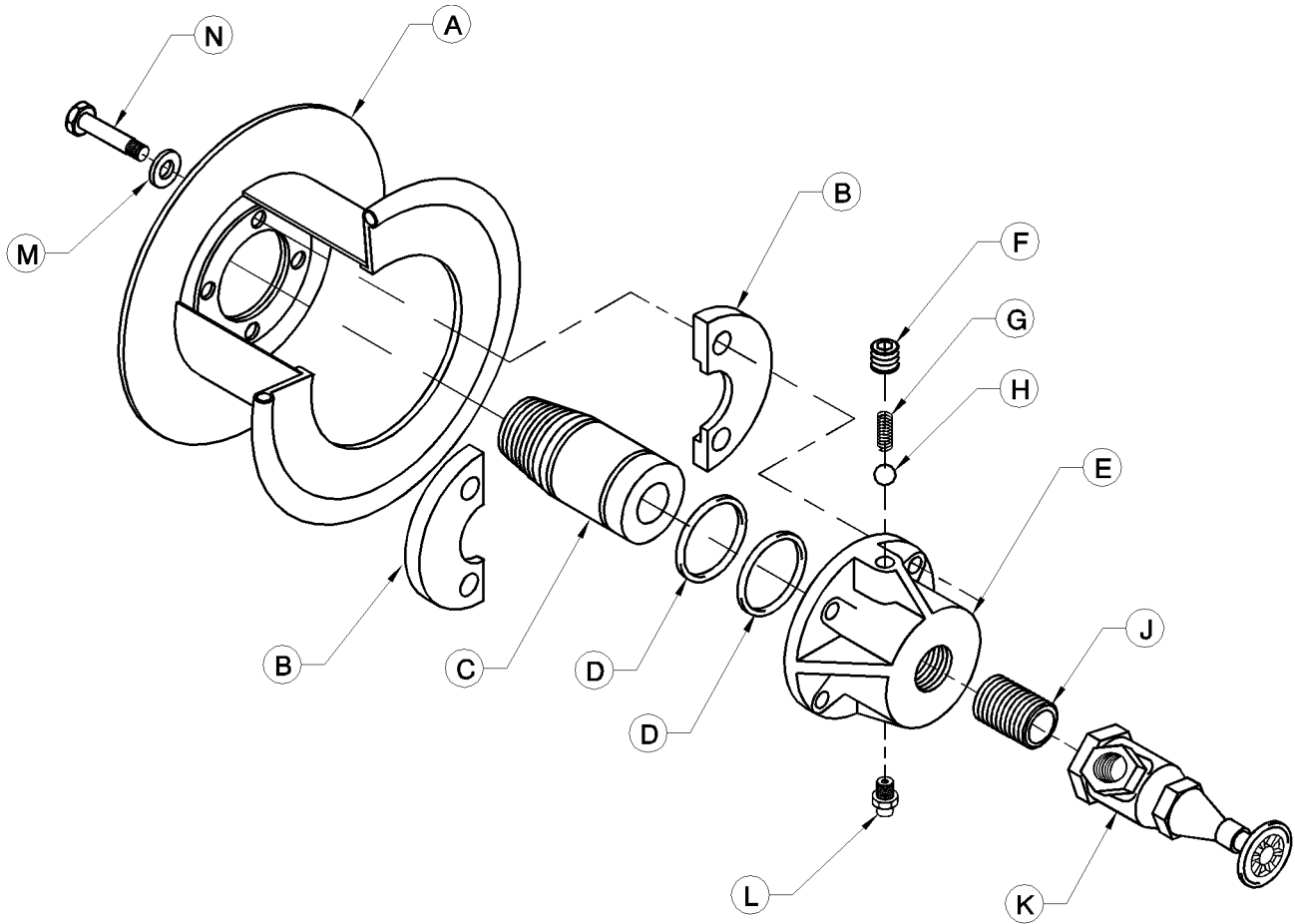
LAMP, PANEL ILLUMINATION  
 LAMP, PANEL ILLUMINATION



PLAT\_A\_OPT\_032\_04/04\_A

ITEM	COMM. NO.	DESCRIPTION	QTY	DIMENSIONS/NOTES
A	36852622	LAMP ASM., MINATURE	1	
B	35333236	BULB, INCANDESCENT 12 V	1	
C	22074843	HARNESS, PANEL LIGHT	1	

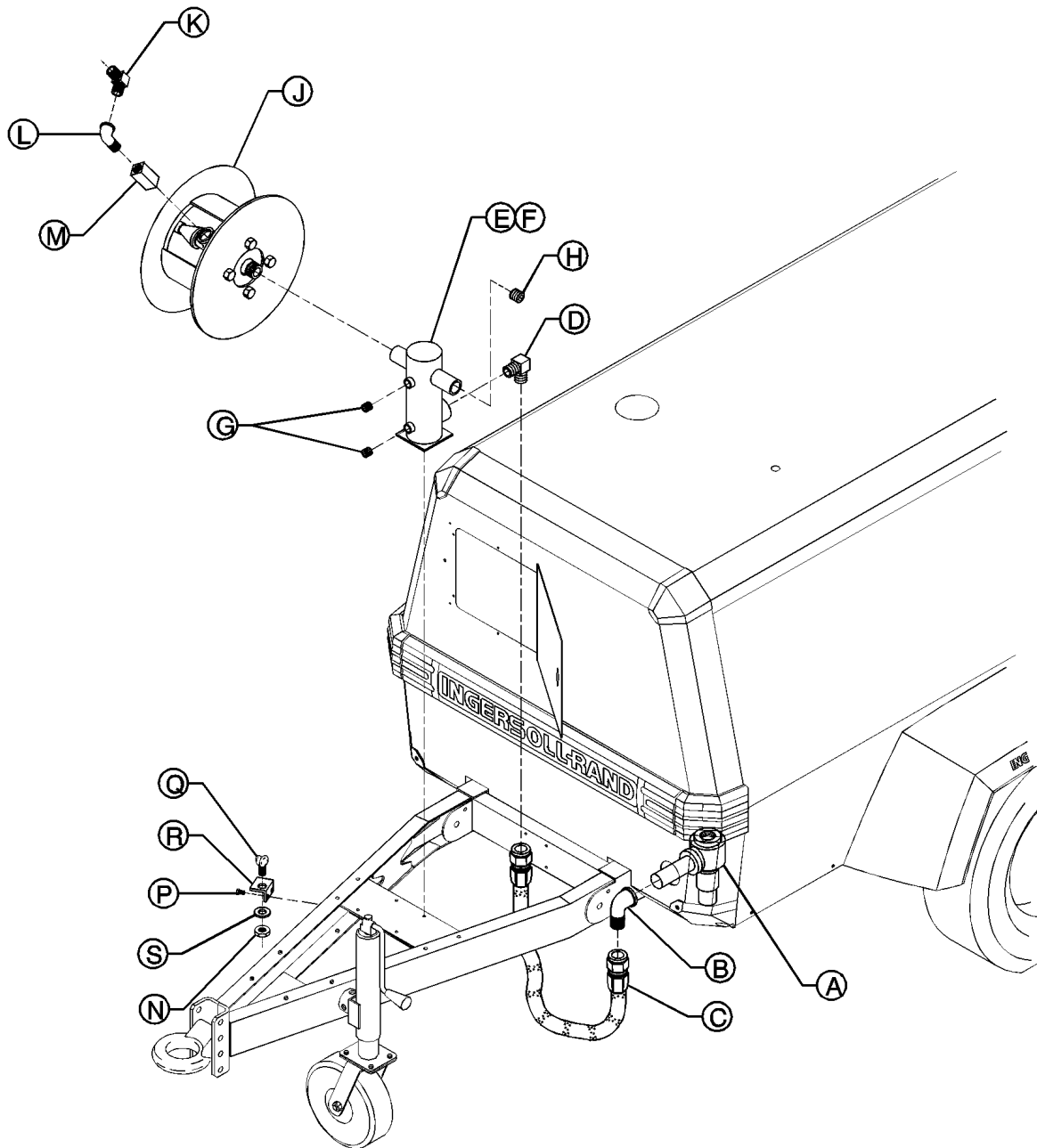
REEL ASM., HOSE  
 REEL ASM., HOSE



PLAT\_A\_OPT\_033\_04/04\_A

ITEM	COMM. NO.	DESCRIPTION	QTY	DIMENSIONS/NOTES
A	36765212	HOSE REEL	1	
B	36765188	COVER, BEARING	2	
C	36765196	SHAFT, BEARING	1	
D	95358297	O-RING	2	
E	36762706	BEARING, HOSE REEL	1	
F	95928222	PLUG	1	
G	90671242	SPRING	1	
H	35221902	BALL, RETARD	1	
J	95928040	NIPPLE	1	
K	95072971	VALVE, GLOBE	1	
L	35221894	FITTING, 1/8" LUBE	1	
M	95937413	WASHER, 3/8" LOCK	4	
N	95934584	SCREW, HEX 3/8-16 X 1.50"	4	

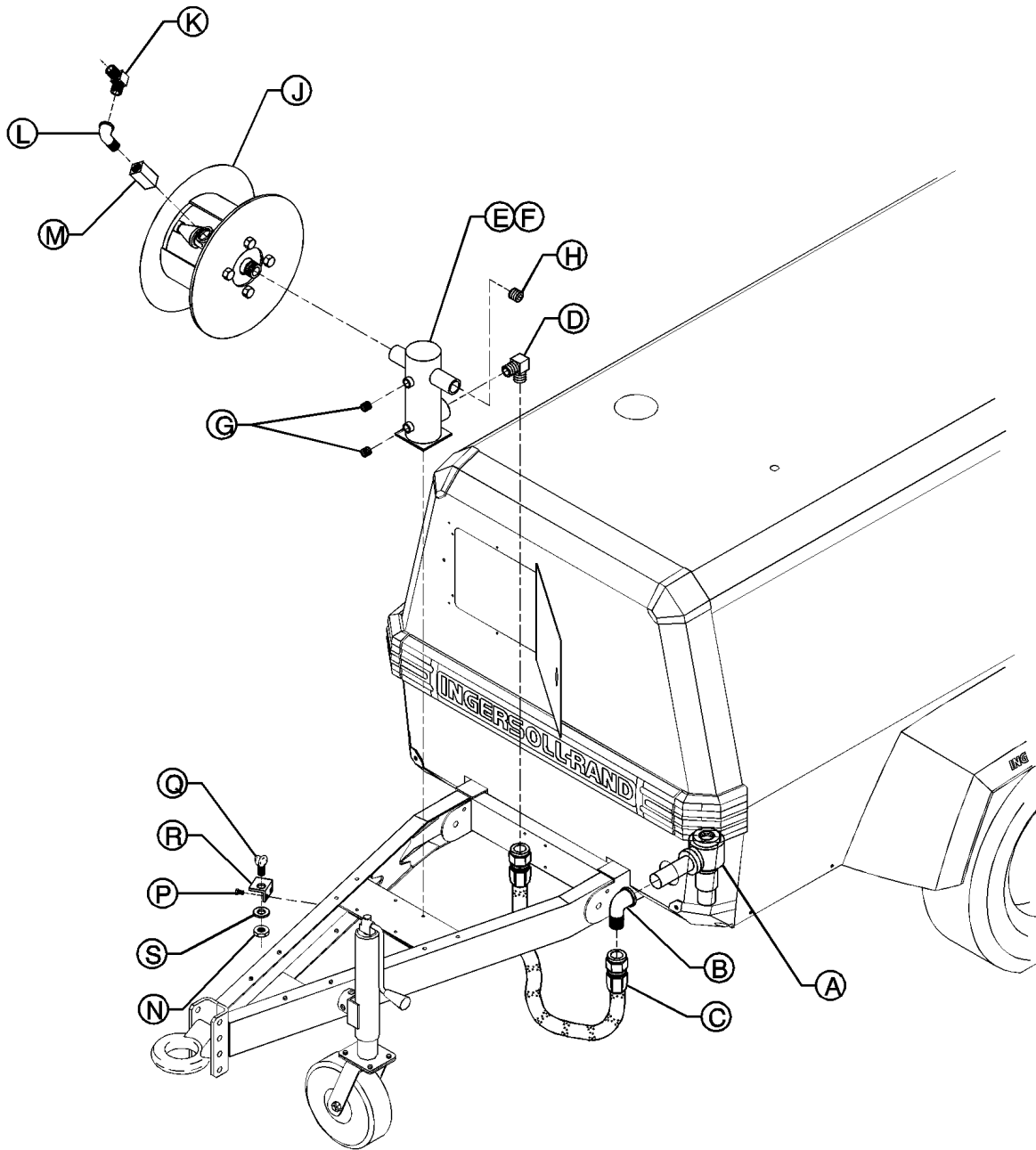
REEL, SINGLE HOSE  
 REEL, SINGLE HOSE



PLAT\_A\_OPT\_034\_04/04\_A

ITEM	COMM. NO.	DESCRIPTION	QTY	DIMENSIONS/NOTES
A	36776219	VALVE, MINIMUM PRESSURE CHECK	1	
B	95286530	ELBOW, 90o	1	
C	35117480	HOSE	1	
D	95219861	ELBOW, JIC TUBE	1	
E	36755460	MANIFOLD, HOSE REEL	1	
F	96702659	SCREW, HEX M08-1.25 X 25	4	
G	95947149	PLUG, HEX COUNTERSINK 3/4"	2	
H	95928248	PLUG, HEX COUNTERSINK 1-1/4"	1	
J	35097914	REEL ASM., HOSE	1	
K	95928198	ELBOW, STREET 3/4 NPT X 45o	1	

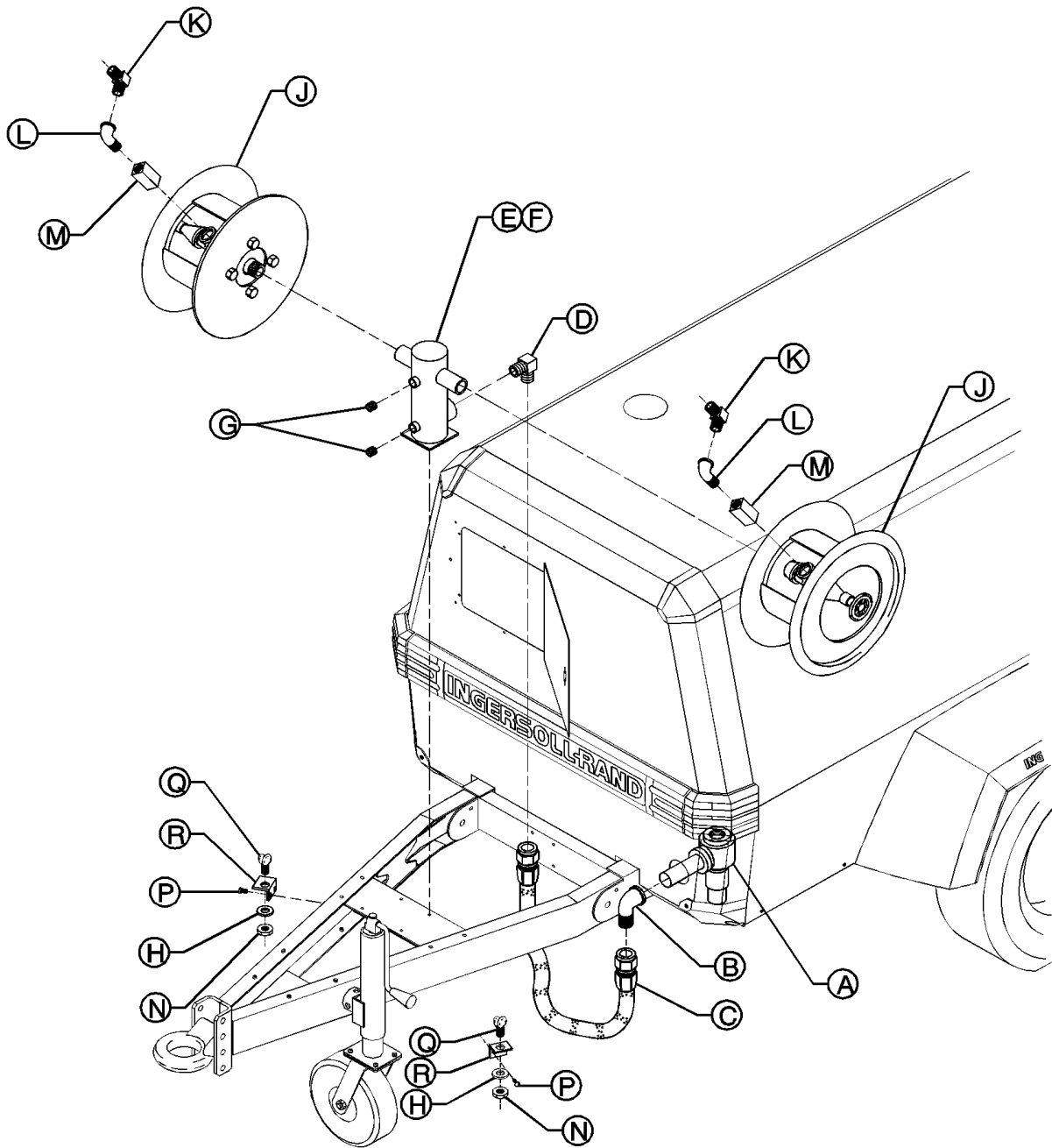
REEL, SINGLE HOSE  
 REEL, SINGLE HOSE



PLAT\_A\_OPT\_034\_04/04\_A

ITEM	COMM. NO.	DESCRIPTION	QTY	DIMENSIONS/NOTES
L	95928172	ELBOW, STREET 3/4" X 90o	1	
M	35364397	VALVE, OSHA CHECK	1	
N	35153972	CAP, HOSE LOCK	2	
P	92368687	SCREW, TAPPING M06-1.0 X 14	1	
Q	35221910	LOCK, COUPLING HOSE	1	
R	35296748	BRACKET, HOSE REEL LOCK	1	
S	95928321	WASHER, FLAT 7/8"	2	

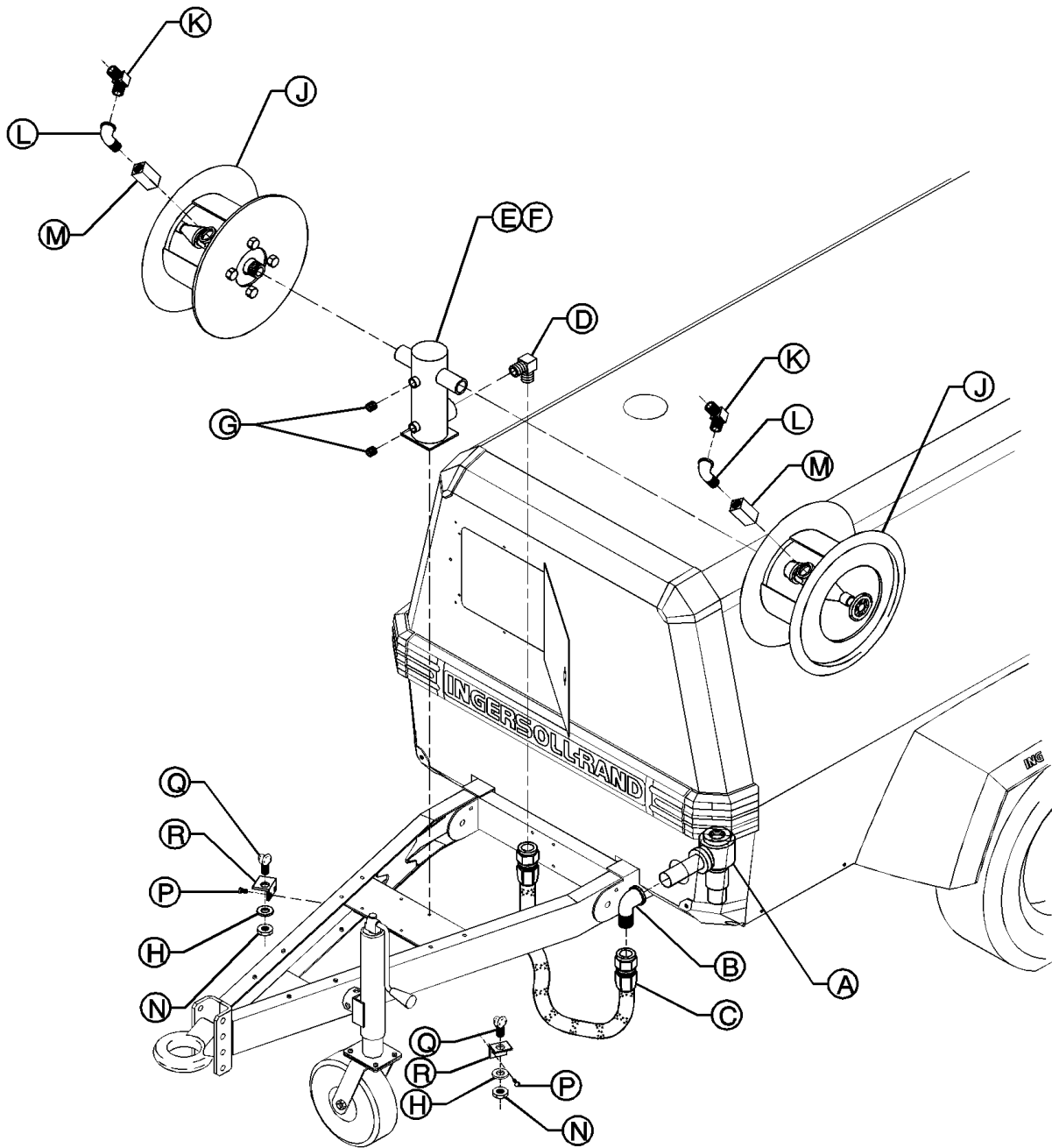
REEL, DOUBLE HOSE  
REEL, DOUBLE HOSE



PLAT\_A\_OPT\_035\_04/04\_A

ITEM	COMM. NO.	DESCRIPTION	QTY	DIMENSIONS/NOTES
A	36776219	VALVE, MINIMUM PRESSURE CHECK	1	
B	95286530	ELBOW, 90o	1	
C	35117480	HOSE	1	
D	95219861	ELBOW, JIC TUBE	1	
E	36755460	MANIFOLD, HOSE REEL	1	
F	96702659	SCREW, HEX M08-1.25 X 25	4	
G	95947149	PLUG, HEX COUNTERSINK 3/4"	2	
H	95928321	WASHER, FLAT 7/8"	4	
J	35097914	REEL ASM., HOSE	2	

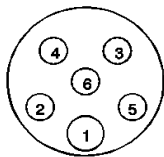
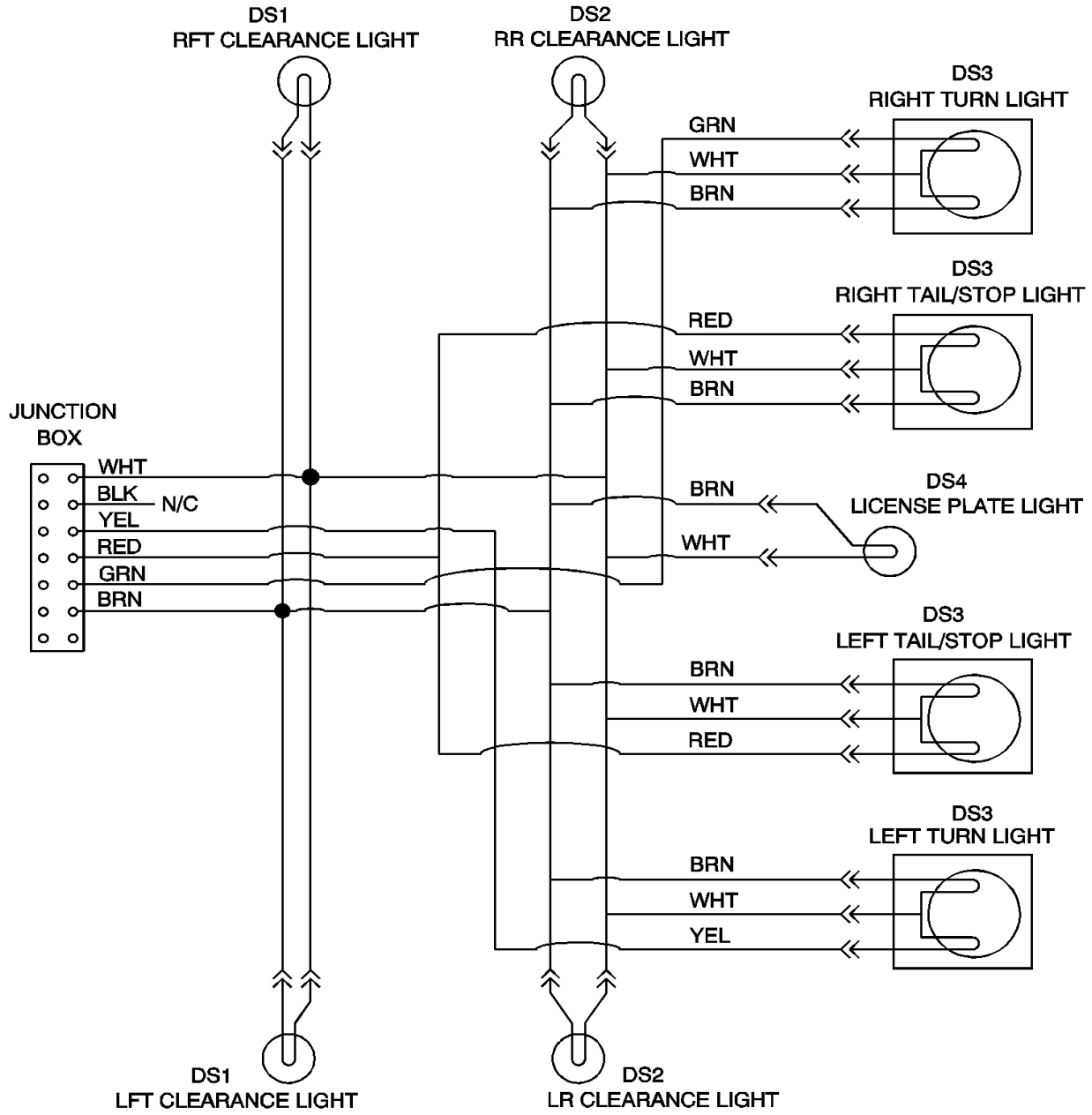
REEL, DOUBLE HOSE  
REEL, DOUBLE HOSE



PLAT\_A\_OPT\_035\_04/04\_A

ITEM	COMM. NO.	DESCRIPTION	QTY	DIMENSIONS/NOTES
K	95928198	ELBOW, STREET 3/4 NPT X 45o	2	
L	95928172	ELBOW, STREET 3/4" X 90o	2	
M	35364371	VALVE, OSHA CHECK	2	P110A WIR
	35364389	VALVE, OSHA CHECK	2	P135A WIR
	35364397	VALVE, OSHA CHECK	2	P185A & XP185A WIR
N	35153972	CAP, HOSE LOCK	4	
P	92368687	SCREW, TAPPING M06-1.0 X 14	2	
Q	35221910	LOCK, COUPLING HOSE	2	
R	35296748	BRACKET, HOSE REEL LOCK	2	

SCHEMATIC, 4 LIGHT WIRING  
SCHEMATIC, 4 LIGHT WIRING



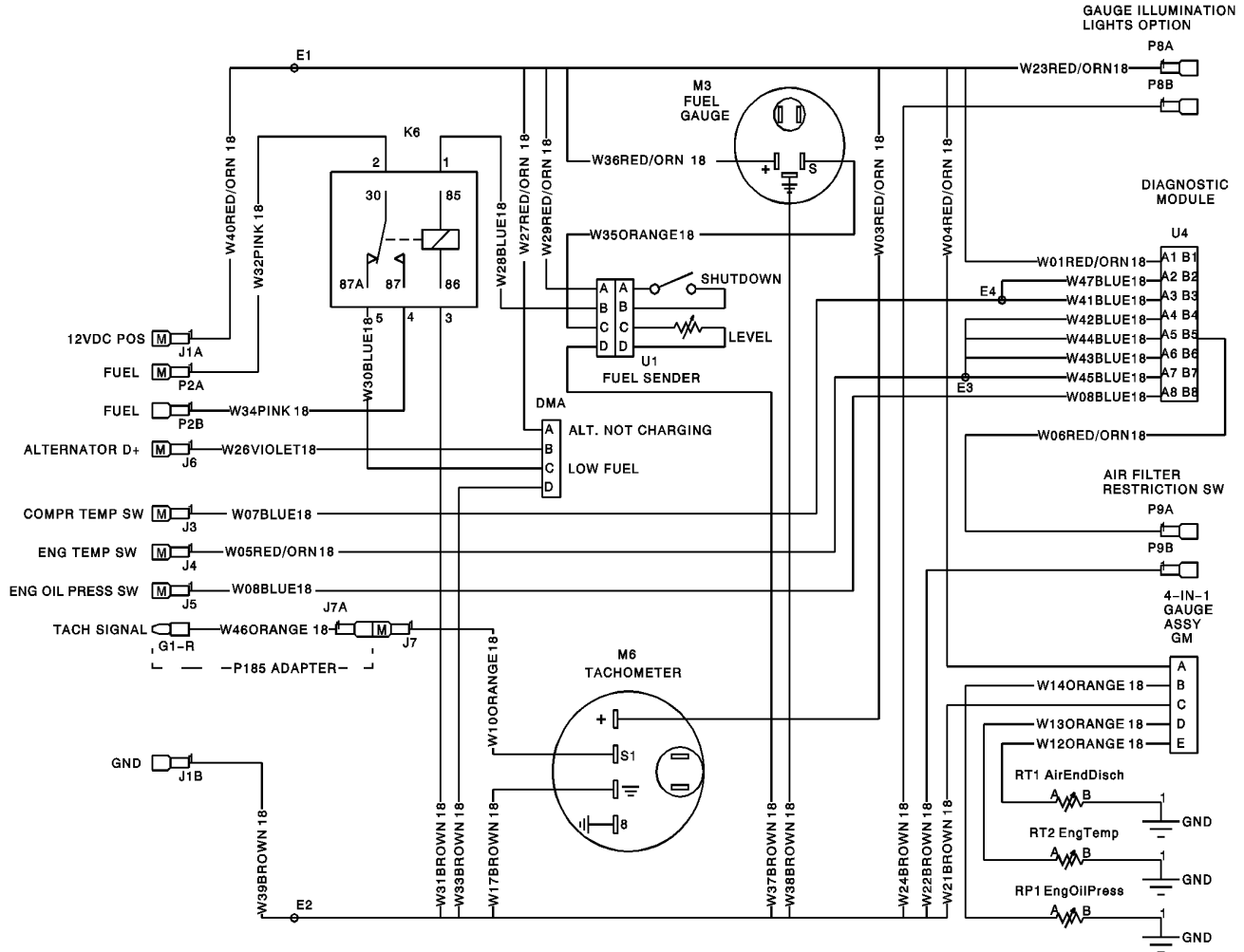
- PLUG / SOCKET WIRING CONNECTIONS
- 1 WHITE - GROUND
  - 2 YELLOW - LEFT TURN SIGNAL
  - 3 RED - STOP LIGHT
  - 4 GREEN - RIGHT TURN SIGNAL
  - 5 BROWN - TAIL / CLEARANCE LIGHTS
  - 6 BLUE - ELECTRIC BRAKES

**NOTE:**  
WHITE WIRE MAY BE FRAME GROUND.

PLAT\_A\_OPT\_039\_04/04\_A

ITEM	COMM. NO.	DESCRIPTION	QTY	DIMENSIONS/NOTES
DS1	35367051	LIGHT, AMBER SIDE	2	
DS2	35367044	LIGHT, RED SIDE	2	
DS3	36788081	LIGHT, STOP / TAIL	4	
DS4	36895860	LIGHT, LICENSE	1	
W3	36893345	HARNESS, LIGHT	1	

SCHEMATIC, OPTION WIRING  
SCHEMATIC, OPTION WIRING

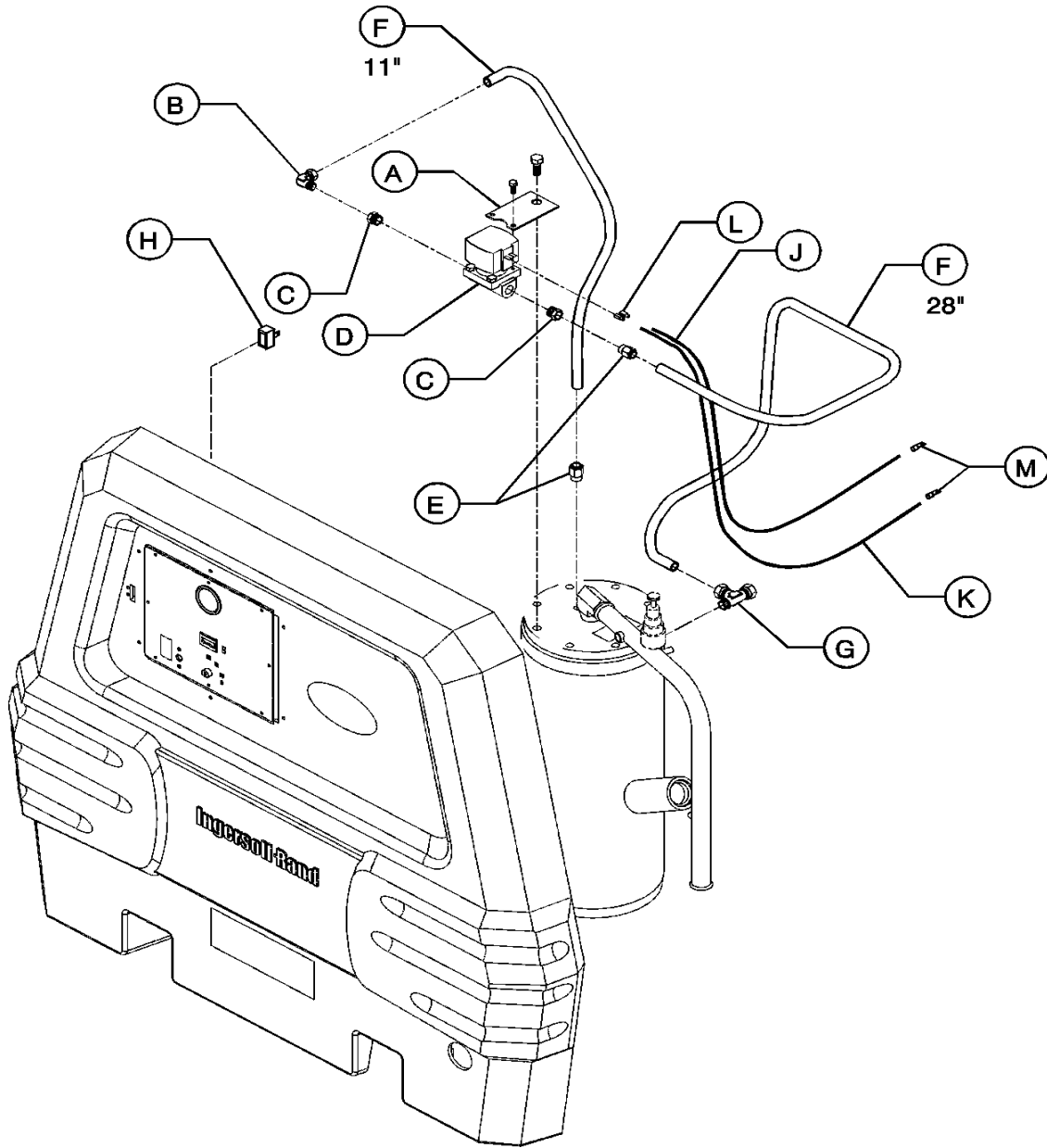


PLAT\_A\_OPT\_040\_04/04\_A

ITEM	COMM. NO.	DESCRIPTION	QTY	DIMENSIONS/NOTES
DMA	54774112	MODULE, 2 LIGHT DIAGNOSTIC	1	
GM	22058291	GAUGE, 4-in-1	1	
K6	54368048	RELAY	1	
M3	54774096	GAUGE, FUEL LEVEL	1	
M3	22055883	TACHOMETER	1	
RP1	36870608	SENDER, PRESSURE	1	ENGINE OIL
RT1	35372457	SENDER, TEMPERATURE	1	A/E
RT2	35367218	SENDER, TEMPERATURE	1	ENGINE WATER
U1	22058531	SENDER, FUEL LEVEL	1	
U4	22347009	MODULE, 4 LIGHT DIAGNOSTIC	1	
W2	22219729	HARNESS, OPTION WIRING	1	



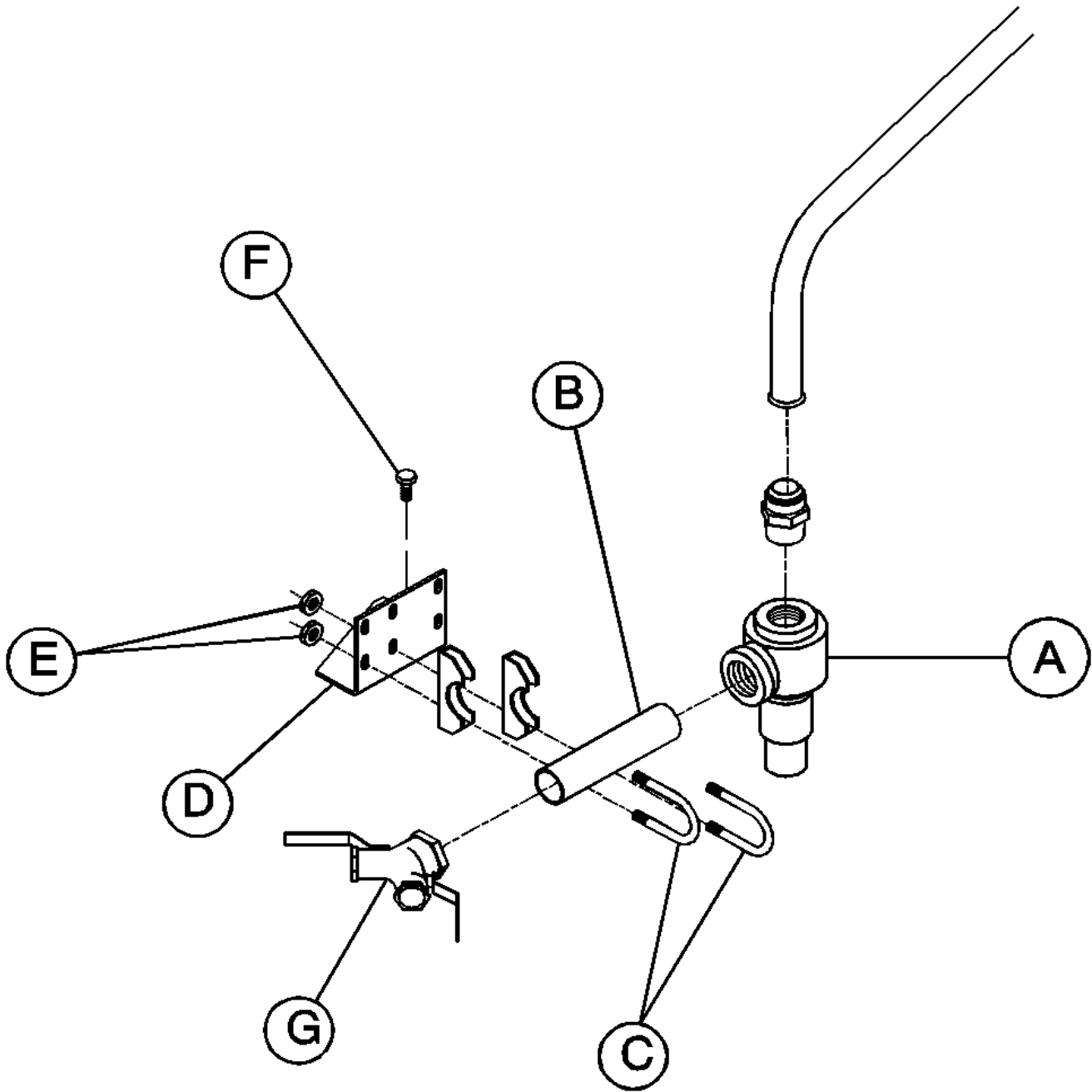
VALVE, ELECTRIC START-RUN  
 VALVE, ELECTRIC START-RUN



PLAT\_A\_OPT\_041\_04/04\_A

ITEM	COMM. NO.	DESCRIPTION	QTY	DIMENSIONS/NOTES
A	36892669	BRACKET, SOLENOID VALVE	1	SEE LENGTHS ABOVE
B	35369354	ELBOW, MALE 1/4 NPT X 3/8 TUBE	1	
C	95940748	BUSHING, REDUCING	2	
D	36843142	SOLENOID, 12 VDC	1	
E	35369347	CONNECTOR, MALE 1/4 NPT X 3/8 TUBE	2	
F	35356484	TUBING, 3/8 SYNIFLEX	*	
G	35369503	TEE, 1/4 NPT X 3/8 TUBE	1	
H	22060278	SWITCH, ROCKER	1	
J	35307685	WIRE, 14 AWG BROWN	16"	
K	35360916	WIRE, 14 AWG ORANGE	16"	
L	36844520	CONNECTOR, 1/4 FEMALE	2	
M	35306141	CONNECTOR, 1/4 MALE	2	

VALVE, MINIMUM PRESSURE  
VALVE, MINIMUM PRESSURE



PLAT\_A\_OPT\_042\_04/04\_A

ITEM	COMM. NO.	DESCRIPTION	QTY	DIMENSIONS/NOTES
A	36776219	VLAVE, MINIMUM PRESSURE	1	
B	95953758	NIPPLE, 1-1/4 X 4.5"	1	
C	35192178	CLAMP, SADDLE	2	
D	36889996	BRACKET, SERVICE PIPE	1	
E	95923314	NUT, HEX LOCK 5/16-18	4	
F	35279025	SCREW, TAPPING M08-1.25 X 20	2	
G	36881076	VALVE, WYE	1	

MISCELLANEOUS OPTIONS  
 MISCELLANEOUS OPTIONS

ITEM	COMM. NO.	DESCRIPTION	QTY	DIMENSIONS/NOTES
	36794345	DOOR KEY LOCK OPTION		
	35612746	KEY LOCK CYLINDER		
	35612746	KEY		REPLACEMENT
	36509073	2" BALL COUPLER OPTION		
	35131499	COUPLER ASM., 2" BALL		
	35131481	LIP		INCLUDED IN ASM.
	35131481	SPRING		INCLUDED IN ASM.
	35131457	NUT, LOOP HANDLE		INCLUDED IN ASM.
	35131465	BOLT		INCLUDED IN ASM.
	35376094	SCREW, HEX M16-2.0 X 120		
	96701750	NUT, HEX M16-2.0		
	35391976	MECH. AIR FILTER RESTRICTION IND. INDICATOR, RESTRICTION		
	36891976	FUEL TANK STRAINER STRAINER, FUEL TANK		
	36897296	SPARK ARRESTOR		
	35610500	ELBOW, EXHAUST ARRESTOR, SPARK		2.5 X 8.5
	36897288	EXHAUST RAIN CAP		
	35316215	ELBOW, EXHAUST CAP, RAIN		2.5 X 8.5



## NUMERICAL INDEX

COMM.NO.	PAGE	COMM.NO.	PAGE	COMM.NO.	PAGE	COMM.NO.	PAGE
22054159	A-29	22248454	A-23	35126325	B-12	35279025	A-2
	B-37		A-36		B-20		A-4
22054175	A-29	22252183	A-2	35126358	B-12		A-9
	A-32	22302111	A-11		B-20		A-11
	B-37	22302129	A-11	35130293	A-28		A-15
22055883	B-37	22302145	A-15	35131457	B-49		A-17
	B-46	22303176	A-12	35131465	B-49		A-22
22058291	B-37	22303184	A-12	35131481	B-49		A-23
	B-46	22305486	A-15	35131499	B-49		A-24
22058531	B-28	22310288	A-13	35134477	B-11		A-25
	B-36	22311146	A-26		B-19		A-26
	B-38	22318653	A-43	35140409	A-17		A-28
	B-46	22339196	B-28	35148030	B-32		A-39
22060278	B-47	22339691	A-41	35153972	B-42		B-8
22070494	A-30	22344808	A-18		B-44		B-10
	B-37	22347009	B-36	35192178	B-48		B-14
22074843	B-39		B-38	35209048	A-13		B-16
22090898	A-30		B-46	35221662	A-14		B-18
22104129	B-21	22347017	B-36	35221894	B-40		B-30
22107478	A-30	22351720	A-18	35221902	B-40		B-48
22125033	B-25	22361828	B-36	35221910	B-42	35279777	A-23
	B-26		B-38		B-44		A-34
22127385	A-29	22374847	A-18	35225077	A-9	35279942	A-23
	A-32	22403489	A-10	35225093	A-28		A-36
	B-37	22403497	A-12		B-8	35282565	A-8
22134118	A-30	22404289	A-18		B-10	35283464	B-31
	A-32	22432967	A-32	35252600	B-12	35286004	A-20
	B-37	22489942	A-32		B-20	35286491	A-19
22144521	A-4	22504591	A-41	35253038	A-9		A-37
22158554	A-23	22505796	A-2		B-7	35287721	A-34
22171680	A-29	22530539	A-12		B-9		A-37
	B-36	22532626	A-13		B-12	35287747	B-21
	B-37	22545867	A-12		B-20	35288448	A-22
22171698	A-30	22556138	A-12	35255025	B-34	35290113	A-4
	B-36	22584502	A-13	35260352	B-31		B-24
	B-37	22585707	A-13	35271170	A-25		B-25
22181143	A-15	22602189	A-17	35272533	A-11		B-26
	A-35	22607519	A-31	35273408	A-13	35291236	B-22
22181150	A-15	22607576	A-31	35277706	A-8	35294727	A-23
	A-35	22607634	A-31	35278530	A-25		A-36
22186381	A-23	22607758	A-32	35278571	B-38	35294750	A-35
	A-36	22632442	A-41	35278720	A-16	35295641	B-22
22199079	A-29	33567218	B-36			35295773	A-26
	B-38		B-38			35295807	B-21
22204614	A-3	35085398	A-6			35295880	A-15
22219711	B-28	35097914	B-41				A-36
22219729	B-36		B-43				B-21
	B-38	35114545	A-24			35296342	A-16
	B-46	35116433	B-11				A-25
22226617	A-24		B-19				B-23
22234884	A-24	35117480	B-41			35296748	B-42
	A-34		B-43				B-44
	A-38	35120005	B-8			35298041	B-33
22246276	A-8		B-10				
22247951	A-25	35124114	B-33				

## NUMERICAL INDEX

COMM.NO.	PAGE	COMM.NO.	PAGE	COMM.NO.	PAGE	COMM.NO.	PAGE
35300771	A-17	35326578	B-30	35364389	B-44	35376953	B-32
	B-12	35327535	B-38	35364397	B-42	35379094	B-13
	B-14	35328467	A-10		B-44	35379817	A-21
	B-16	35333236	B-39	35365774	B-22	35379940	A-22
	B-18	35333673	B-13	35366111	B-33	35384577	A-25
	B-20		B-15	35367044	A-9		B-23
35301373	B-31		B-17		A-33	35391101	B-2
35302314	A-36	35337328	A-41		A-40		B-4
	A-37	35337435	B-33		B-8		B-5
35304047	A-10	35346337	B-7		B-10	35391119	B-2
35306141	B-47		B-9		B-45		B-5
35307685	B-47	35356252	B-35	35367051	A-9	35391127	B-2
35315142	A-6	35356302	B-13		A-33		B-4
35315183	A-7		B-15		A-40		B-5
	B-2		B-17		B-8	35391135	B-2
	B-4	35356310	B-14		B-10		B-4
	B-5		B-16		B-45		B-5
35315191	A-7		B-18	35367218	B-46	35391168	B-2
	B-2	35356328	B-13	35369347	A-24	35391176	B-2
	B-4		B-15		A-29	35391184	B-3
	B-5		B-17		A-34	35391192	B-3
35315209	A-7	35356336	B-16		A-37	35391226	B-3
	B-2	35356369	B-13		A-38	35391234	B-3
	B-4		B-15		B-47	35391267	B-3
	B-5		B-17	35369354	A-34	35391309	B-3
35315217	A-7	35356377	B-16		A-37	35391333	B-3
	B-2		B-18		A-38	35391358	B-3
	B-4	35356401	B-13		B-47	35391366	B-3
	B-5		B-15	35369396	A-37	35391374	B-3
35315225	A-7		B-17	35369503	B-47	35391382	B-3
	B-2	35356484	A-34	35370055	B-11	35391390	B-3
	B-4		A-37		B-19	35391416	B-3
	B-5		A-38	35370386	A-29	35391432	B-6
35315233	A-7		B-47		A-34	35391440	B-6
35315274	A-7	35358050	B-21		A-37	35391457	B-6
	B-2	35358662	B-31		B-37	35391481	B-6
	B-4	35360775	A-16	35372457	B-38	35391507	B-6
	B-5	35360916	B-47		B-46	35391556	B-6
35315407	A-35	35361849	A-25	35372986	A-19	35391580	B-6
	B-31		B-28	35374073	A-26	35391598	B-6
35315746	B-14	35361864	A-6	35374867	A-34	35391630	B-2
35315944	B-7		B-2		A-37		B-5
	B-9		B-4	35375369	A-20	35391648	B-2
35316215	B-49		B-5	35375385	A-12		B-5
35316611	B-13	35361872	A-6	35375427	B-7	35391976	B-49
	B-15		B-2		B-9	35392521	A-5
	B-17		B-4	35376094	A-4	35392539	A-5
35316645	B-33		B-5		B-15	35392547	A-5
35322379	A-24	35361880	A-6		B-17	35392554	A-5
	A-35	35361898	A-6		B-24	35392562	A-5
35323807	B-21		B-2		B-49	35392570	A-5
35323815	B-22		B-4	35376318	A-21	35392588	A-5
35324839	A-24		B-5	35376326	A-21	35392596	A-5
	A-34	35363498	A-25	35376334	A-21	35393651	A-27
35325166	A-23		B-23	35376342	A-21	35393669	A-27
	A-35	35364371	B-44	35376359	A-21	35393677	A-27

## NUMERICAL INDEX

COMM.NO.	PAGE	COMM.NO.	PAGE	COMM.NO.	PAGE	COMM.NO.	PAGE
35393685	A-27	36766772	A-24	36843142	A-38	36880862	A-2
35393693	A-27		A-35		B-47	36880870	A-2
35393701	A-27	36769032	A-10	36844264	A-28	36880912	A-26
35393719	A-27		A-14		A-31	36880995	A-18
35393727	B-6	36769289	A-18	36844520	B-47	36881076	A-24
35506419	A-28	36769560	A-14	36845493	B-23		A-36
35512425	A-28	36776219	B-41	36846780	B-11		B-48
35517176	B-20		B-43		B-19	36881100	A-25
35579630	A-23		B-48	36847838	B-36	36881274	B-14
	A-36	36777399	B-21		B-38		B-16
35589746	B-12	36778124	B-32	36848158	B-4		B-18
35592435	A-10	36780608	B-38	36852622	B-39	36881290	B-13
35594076	B-20	36782019	A-22	36853174	A-9		B-15
35596436	A-32	36782043	A-16		B-7		B-17
	A-37	36782176	A-14		B-9	36881399	B-14
35600287	A-41	36782464	A-31	36853257	A-28		B-16
35604065	A-30	36782467	B-23	36853265	A-17		B-18
	B-37	36783439	A-29		A-28	36881423	A-3
35605187	A-4		A-36	36854149	A-24	36881472	A-17
35605310	B-14	36783488	A-28		A-35	36881480	A-14
35610500	B-49	36785277	A-24		A-38	36881886	A-15
35611557	A-21	36785327	A-14	36856250	A-26		A-17
35611615	A-21	36787216	B-7		A-31		A-22
35612175	A-21		B-9		A-32		A-41
35612746	B-49	36787652	A-2	36859049	A-25	36882165	A-2
35664934	A-36	36787968	A-9	36860005	A-28	36882652	B-26
35676169	A-31		B-7	36865756	A-32	36882660	B-24
35825546	B-31		B-9	36867596	B-5	36882678	A-3
35851377	A-13	36788081	A-9	36867604	B-5	36882686	A-3
36007854	A-18		A-33	36870608	B-46	36882934	A-15
36385111	A-25		A-41	36877579	A-40	36883510	A-2
36503134	B-12		B-7	36877793	A-2	36883718	A-42
36506442	A-19		B-9		A-23	36883742	A-42
36508471	A-21		B-45	36877959	A-12	36883866	A-16
36509073	B-49	36788172	A-22	36878064	A-28	36883874	A-16
36511623	A-21	36789261	B-7	36878361	A-26	36884096	A-17
36523306	A-43		B-9		A-31	36884120	B-22
36531176	A-43	36791689	A-20		A-32	36884245	A-25
36533081	A-43	36792828	A-25	36878379	A-12	36884500	A-16
36726586	B-32	36793651	A-31		A-32	36884716	A-3
36755460	B-41	36794345	B-49	36879195	B-32	36885085	A-41
	B-43	36794816	A-43	36879203	A-2	36885093	A-37
36757284	B-25	36796068	A-4		B-24	36886364	B-24
36758647	B-13	36796845	A-13		B-26	36886752	A-37
	B-15	36797652	A-16	36879211	B-25	36886992	A-37
	B-17		A-26		B-26	36888055	A-11
36762706	B-40		A-39	36879492	A-2	36888709	A-4
36764553	A-19		A-41		A-4	36889996	B-48
	A-37		B-7		B-24	36890028	A-16
36765188	B-40		B-9		B-26	36891596	B-23
36765196	B-40	36840437	A-23	36880441	A-3	36891976	B-49
36765212	B-40		A-35	36880458	A-4	36892479	B-22
36765832	A-22	36841922	B-31	36880516	A-14	36892669	B-47
36766756	A-24	36842839	B-36	36880623	A-3	36893196	A-9
	A-34		B-38	36880755	A-22		A-33
	A-38			36880854	A-2		

## NUMERICAL INDEX

COMM.NO.	PAGE	COMM.NO.	PAGE	COMM.NO.	PAGE	COMM.NO.	PAGE
36893345	B-7	54473525	A-39	54729199	A-30	95923074	A-10
	B-9		B-8	54729611	A-15	95923298	A-16
	B-45		B-10	54729629	A-14		A-28
36893634	A-9	54482500	A-30	54749163	A-44	95923314	A-24
	A-39	54482518	A-40	54749601	A-29		B-48
	B-8	54529086	A-3		B-36	95923322	A-13
	B-10	54529243	A-17		B-37	95923348	A-5
36894194	A-39	54529250	A-14	54774096	B-28		B-14
36894608	A-9	54529284	A-3		B-36		B-16
	A-40	54529292	A-3		B-37		B-18
	B-8	54529342	A-16		B-46	95928040	B-21
	B-10	54529433	A-39	54774112	B-28		B-40
36894616	A-9	54541263	B-30		B-36	95928172	B-42
	A-40	54568753	A-44		B-37		B-44
	B-7	54568761	A-44		B-46	95928198	B-41
	B-9	54568779	A-43	54774146	A-30		B-44
36895282	B-8		A-44	54828979	A-42	95928222	B-40
	B-10	54568787	A-44	90671242	B-40	95928230	A-15
36895860	B-45	54568795	A-43	92368687	A-14	95928248	B-41
36897288	B-49	54568803	A-43		A-17	95928321	B-42
36897296	B-49	54593967	B-30		A-40		B-43
36897353	A-19	54602719	A-39		B-7	95928867	B-12
36897965	A-26	54604921	A-43		B-9		B-20
36897999	A-26	54604962	A-44		B-14	95929006	B-12
36920858	A-17	54604970	A-43		B-16		B-20
36921377	A-24	54625207	A-43		B-18	95929782	A-13
	A-34	54625942	A-23		B-30	95930319	A-36
36921930	B-32	54627799	A-23		B-42	95934584	B-40
36922813	B-23	54629902	A-43		B-44	95934816	A-16
37001252	B-14	54629977	B-21	95022307	A-22	95934899	A-4
	B-16	54631775	A-39	95022331	A-20	95934998	A-12
	B-18	54631783	A-39	95023107	A-21		A-15
37140365	B-7	54675749	B-11	95072971	B-40		B-11
	B-9	54675756	B-19	95094306	A-20		B-19
39101449	A-20	54698089	A-42	95163473	B-33	95935029	A-10
39127287	B-38	54698097	A-42	95219770	A-24		A-14
39179072	B-25	54698105	A-42		A-35		A-16
	B-26	54712807	A-15	95219861	B-41	95935037	A-18
39404165	A-37	54712815	A-14		B-43	95935169	B-13
39588413	A-20	54721212	A-29	95220604	A-18		B-15
54368048	B-28		A-40	95220844	B-22		B-18
	B-36	54721220	A-30		B-30	95935227	A-13
	B-38	54721238	A-39	95232115	A-19	95935599	A-29
	B-46	54724117	A-41	95257333	A-21		B-37
54389887	A-42	54724125	A-42	95280541	A-20	95937413	B-40
54411640	A-22	54726468	A-9		A-21	95938601	B-30
54411665	A-22		A-33		A-23	95938965	A-19
	A-35		A-41	95286530	B-41	95940748	A-38
54414677	A-22		B-8		B-43		B-47
54429295	A-11		B-10	95287629	B-31	95941373	B-34
54429303	A-11	54727799	A-36	95339552	B-22		B-35
54439062	A-11	54729132	A-40	95358297	B-40	95944542	A-24
54445176	A-17	54729140	A-39	95641734	A-20		A-35
54454756	A-44		B-8	95667341	A-36	95944625	B-31
54473517	A-40		B-10		A-38	95944666	A-34
		54729181	A-40	95916532	B-28	95944690	B-31



## NUMERICAL INDEX

COMM.NO.	PAGE	COMM.NO.	PAGE	COMM.NO.	PAGE	COMM.NO.	PAGE
95944708	A-23	96747142	A-6				
.....	A-35	.....	B-2				
95946532	A-25	.....	B-4				
95947149	B-21	.....	B-5				
.....	B-41						
.....	B-43						
95953378	A-24						
.....	A-34						
95953600	B-34						
.....	B-35						
95953758	B-48						
95954293	A-36						
.....	A-38						
95956199	B-36						
.....	B-38						
96701461	A-10						
96701750	A-4						
.....	B-13						
.....	B-15						
.....	B-17						
.....	B-24						
.....	B-49						
96702048	A-26						
96702055	A-14						
.....	A-17						
96702444	B-22						
96702659	A-22						
.....	B-11						
.....	B-19						
.....	B-41						
.....	B-43						
96702816	A-10						
96703012	A-19						
96704309	B-11						
.....	B-19						
96704630	A-4						
.....	B-24						
.....	B-25						
.....	B-26						
96706247	A-11						
96708037	A-20						
96708060	A-19						
96708144	A-21						
96718978	A-22						
96719869	A-13						
96726435	A-12						
96735543	B-11						
.....	B-19						
96735550	B-11						
.....	B-19						
96739958	A-11						
96740375	A-19						
96740782	A-10						

# NUMERICAL INDEX

COMM.NO.	PAGE	COMM.NO.	PAGE	COMM.NO.	PAGE	COMM.NO.	PAGE
----------	------	----------	------	----------	------	----------	------

## WORD INDEX

### CPN

15" TIRE and WHEEL .....A-8  
2-PART DRAWBAR WARNING .....A-43  
3-PART DANGER/WARNING .....A-43

### A

ACTUATOR  
HYDRAULIC BRAKE ..... B-13, B-15, B-17  
ADAPTER ..... A-37, B-14  
1 1/4 .....A-24  
1/8 NPT X 1/4 JIC .....B-31  
-16JIC TO -12JIC .....B-21  
FUEL TANK .....B-23  
OIL SCAVANGE .....A-23, A-36  
SWITCH .....B-38  
ADAPTOR  
9/16 X 1/4 NPT .....A-36  
AIR and OIL PIPING ..... A-34, A-35, A-36, A-37  
AIR and OIL PIPING OPTIONS .....A-38  
AIR CLEANER ASSEMBLY .....A-27  
AIR END .....A-18  
AIR END ASSEMBLY .....A-19, A-20  
AIR END COMPLETE .....A-18  
AIR INTAKE FILTERS and RELAYS .....A-26  
AIR SERVICE COMPLETE .....A-24  
ALTERNATOR .....A-31  
ANGLE .....A-28  
ROOF TIE .....A-2  
ARRESTOR  
SPARK .....B-49  
AXLE .....B-4, B-5  
AXLE, ELECTRIC BRAKE .....B-2

### B

BAFFLE  
COOLER STREET SIDE .....A-15  
COOLER TOP .....A-17  
COOLER TOP CRBSD .....A-14  
INLET .....A-3  
BAIL  
CURB SIDE LIFT .....A-2  
STREET SIDE LIFT .....A-2  
BALL .....A-21, A-22  
RETARD .....B-40  
BATTERY .....A-28, A-31  
BATTERY GAS WARNING .....A-44  
BEARING  
BALL .....A-20  
HOSE REEL .....B-40  
ROD END .....A-10  
BODY  
AIR CLEANER .....A-27  
BOLT .....B-49  
CASTER WHEEL 1/2-13 X 3.18" .....A-5

### BRACKET

AIR CLEANER .....A-26  
AIR CYLINDER MOUNTING .....A-10  
BRAKE LEVER .....B-11, B-19  
BYPASS VALVE .....A-22  
DROPLEG .....B-32  
FRT CRBSD ENGINE MOUNTING .....A-11  
FRT STSD ENGINE MOUNTING .....A-12  
HEATER .....B-30  
HOSE MOUNTING .....B-14, B-16, B-18  
HOSE REEL LOCK .....B-42, B-44  
MUFFLER .....A-13  
RAD/OIL COOLER .....A-14  
REAR CRBSD ENGINE MOUNTING .....A-11  
REAR STSD ENGINE MOUNTING .....A-12  
RELAY .....A-2  
SEP INDICATOR MOUNTING .....B-31  
SERVICE PIPE .....A-24, B-48  
SOLENOID VALVE .....B-47

### BRAKE ASM.

LH ELECTRIC .....B-2  
LH HYDRAULIC .....B-5  
RH ELECTRIC .....B-2  
RH HYDRAULIC .....B-5  
BRAKE SHOE KIT .....B-3, B-6  
BRAKE SPRING KIT .....B-6  
BRAKES B-7, B-8, B-9, B-10, B-11, B-12, B-13, B-14,  
B-15, B-16, B-17, B-18, B-19, B-20  
RUNNING GEAR w/ .....B-11

### BULB

INCANDESCENT 12 V .....B-39

### BULKHEAD

FITTING .....B-21  
BUMPER .....B-32  
BUSHING .....A-25, B-23  
REDUCING .....B-30, B-47  
REDUCING 1/2 NPT X 1/4 NPT .....B-31  
REDUCING 3/8 NPT X 1/4 NPT .....A-38

### C

#### CABLE

NEGATIVE BATTERY .....A-28  
POSITIVE BATTERY .....A-28

#### CABLE ASM.

108" BRAKE .....B-12  
117" BRAKE .....B-20  
78" BRAKE .....B-12, B-20

#### CAP

EZ LUBE RUBBER .....B-2, B-4, B-5  
FUEL TANK .....A-25  
HOSE LOCK .....B-42, B-44  
RADIATOR .....A-14  
RAIN .....B-49  
REAR END (SPECIAL PAINT) .....B-8, B-10  
REAR END (STD PAINT) .....B-8, B-10  
SPRING .....A-21  
CASTER WHEEL .....A-5  
CHAIN and HOOK ASSEMBLY .....A-4

## WORD INDEX

- CHANNEL
  - PINTEL MOUNTING . . . . . B-25
- CLAMP
  - 1/2 SUPPORT . . . . . B-8, B-10
  - 1/2" SUPPORT . . . . . A-28
  - 1/4 . . . . . A-9
  - 1/4 SUPPORT . . . . . B-7, B-9
  - 3/8 . . . . . A-9
  - 3/8 SUPPORT . . . . . B-7, B-9
  - 5/8 . . . . . A-9
- CABLE . . . . . B-12, B-20
- HOSE . . . . . A-14, A-16, B-13, B-30
- HOSE 9/16 . . . . . B-22
- MUFFLER . . . . . A-13
- RUBBER COATED . . . . . B-11, B-12, B-19, B-20
- SADDLE . . . . . B-48
- SADDLE 1 5/8 . . . . . A-24
- SADDLE 2 1/2" . . . . . A-13
- SUPPORT . . . . . B-14, B-16, B-18
- T 2.25" . . . . . A-26
- T 3.62" . . . . . A-26
- U-BOLT 3/8-16 . . . . . A-13
- WORM GEAR . . . . . A-25, B-23
- CLEANER ASM.
  - AIR . . . . . A-26
- CLIP
  - HOSE . . . . . B-15, B-17
  - RETAINING . . . . . A-27
  - XMAS TREE . . . . . A-42
- COIL
  - PLASTIC . . . . . B-22
- CONE
  - INNER BEARING . . . . . A-6, A-7, B-2, B-4, B-5
  - OUTTER BEARING . . . . . B-2, B-4, B-5
- CONNECTOR . . . . . A-21
  - 1 1/16-12 . . . . . A-15
  - 1/4 FEMALE . . . . . B-47
  - 1/4 MALE . . . . . B-47
  - MALE 1/4 NPT X 3/8 TUBE . . . . . A-24, A-29, B-47
  - SAE 1.06-12JIC . . . . . B-21
  - STRAIGHT . . . . . A-36
  - STREET . . . . . A-34, A-37, A-38
  - STREET 1-1/4-12 . . . . . A-35
- COOLER
  - OIL . . . . . A-15
- COOLING COMPLETE . . . . . A-14, A-15
- COUPLER ASM.
  - 2" BALL . . . . . B-49
- COUPLING
  - 1/8 NPT . . . . . A-36
  - 1/8 NPT X 3/4 . . . . . A-29
  - DRIVE . . . . . A-18
  - STD 1/8 NPT X .75" . . . . . B-37
- COVER . . . . . A-22
  - AIR CLEANER . . . . . A-27
  - BEARING . . . . . A-19, B-40
  - COOLER ACCESS . . . . . A-41
  - FLEXABLE ACCESS . . . . . A-3
  - FUEL SENDER . . . . . A-25
  - INLET . . . . . A-21
  - SEAL . . . . . A-20
- CROSS
  - 1/4 NPT . . . . . A-36, A-38
- CROSSMEMBER
  - ENDCAP . . . . . A-39
  - LIFT BAIL . . . . . A-2
- CUP
  - GREASE . . . . . A-7
  - INNER BEARING . . . . . A-6, A-7, B-2, B-4, B-5
  - OUTTER BEARING . . . . . B-2, B-4, B-5
- CYLINDER
  - LH BRAKE . . . . . B-6
  - PNEUMATIC . . . . . A-10
  - RH BRAKE . . . . . B-6
- D**
- DECAL
  - CENTRAL DRAIN . . . . . B-21
  - FUEL OPTION . . . . . B-28
  - OPTION WIRING . . . . . B-36, B-38
  - WW INSTRUMENT PANEL . . . . . A-30, B-36, B-37
- DECAL LOCATION . . . . . A-43, A-44
- DECAL PUSH AFTER WARM UP . . . . . A-30
- DIESEL FUEL . . . . . A-43
- DIODE . . . . . A-31
- DOOR
  - INSTRUMENT PANEL . . . . . A-30
  - RADIATOR ACCESS . . . . . A-16
- DRAIN . . . . . B-23
- DRAINS . . . . . B-21, B-22
- DRAWBAR . . . . . A-4, B-24, B-25, B-26
  - EXTENDED . . . . . B-25, B-26
- DROPLEG . . . . . B-32
- DROPLEG, BUMPER w/ REAR . . . . . B-32

## WORD INDEX

### E

ELBOW	A-19
1 1/4 NPT	A-24
1/4 NPT X -4 JIC	B-31
1/8 NPT X 3/8 TUBE	B-37
45	A-23
45 X 1 1/16-12 X -12JIC	A-36
90 X 1 5/8-12	A-23
90 X 1 7/8-12	A-34
90 X 1/4 NPT X 3/8 TUBE	A-34, A-37, A-38
90 X 1/8 NPT X 3/8 TUBE	A-34, A-37
90 X 1-1/16-12	A-35
90 X 1-1/4 NPT	A-34
90 X 1-5/8-12	A-34
90 X 1-7/8-12	A-37
90 X 7/8-14	A-37
90o	B-41, B-43
90o M22 X -10JIC	B-21
EXHAUST	B-49
JIC TUBE	B-41, B-43
LONG 90	A-37
MALE 1/4 NPT X 3/8 TUBE	B-47
MALE 1/8 NPT X 3/8 TUBE	A-29
SIGHT TUBE	A-23, A-36
STREET 1/4 NPT	A-34
STREET 1/8 NPT X 45o	B-36, B-38
STREET 3/4 NPT X 45o	B-41, B-44
STREET 3/4" X 90o	B-42, B-44
SWIVEL NUT -4 JIC	B-31
ELEMENT	
125o - 145o F	A-22
5 MICRON FUEL FILTER	A-12
DRIVE COUPLING	A-18
FILTER	A-19
OIL FILTER	A-12
PRIMARY	A-27
SAFETY	A-27
SEPARATOR	A-23
ENCLOSURE COMPLETE	A-39, A-40, A-41
ENDCAP	
FRONT	A-40
REAR	A-39
ENGINE	
4034T JD	A-12
ENGINE and MOUNTS	A-10, A-11, A-12
ENGINE EXHAUST	A-13
F	
FAN	A-12
FAN SHROUD	A-16, A-17
FENDER	A-40
FILTER	
FUEL	B-23
FITTING	
1/8" LUBE	B-40
-8JIC HOSE	B-22
FOAM INSULATION COMPLETE	A-42

FRAME	A-3
WW INSTRUMENT PANEL	A-29, B-36, B-37
FRAME and LIFTING BAIL	A-2, A-3
FUEL TANK COMPLETE	A-25
FUSE	
15A	A-31
20 AMP	B-33
25A	A-31
FUSEHOLDER	B-33

### G

GASKET	
FUEL CAP	A-25
FUEL SENDER	A-25, B-28
GAUGE	B-27, B-28, B-29
150 PSI PRESSURE	B-37
4 in 1	B-37
4-in-1	B-46
FUEL	B-28
FUEL LEVEL	B-36, B-37, B-46
PRESSURE 150 PSI	A-30
GEAR	
DRIVE	A-5
GLOW PLUG	A-31
GROMMET	
CLEARANCE LIGHT	A-9, A-39, B-8, B-10
SCREW	A-41
TAIL LIGHT	A-9, B-7, B-9
GUARD	
BATTERY	A-3
FAN	A-17
OIL COOLER	A-17
TOOL BOX	A-2

### H

HANDLE ASM.	A-5
HARNES	
2-LIGHT	A-9
6 CNDC T CABLE	B-7, B-9
AIR FILTER RESTRICTION	B-36, B-38
ELECTRIC BRAKE	B-8, B-10
ENGINE CONTROL	A-32
FUEL GAUGE	B-28
LIGHT	A-33, B-45
OPTION WIRING	B-36, B-38, B-46
PANEL LIGHT	B-39
TAIL LIGHT	B-7, B-9
HEATER, BLOCK	B-30
HIGH PRESSURE WARNING	A-43
HINGE	
CONTROL PANEL SPRING	A-30

## WORD INDEX

HOSE ..... B-22, B-41, B-43  
  .31 FUEL ..... B-23  
  -12JIC X 68" ..... B-21  
  -4 JIC X 24" ..... B-31  
  -4JIC X 19" ..... B-31  
  5/16" FUEL ..... A-25  
  AIREND INTAKE ..... A-26  
  BRAKE 3/16 X 12 ..... B-15, B-17  
  BRAKE 3/16 X 13 ..... B-15, B-17  
  BRAKE 3/16 X 24" ..... B-14, B-16, B-18  
  BRAKE 3/16 X 40 ..... B-13, B-15, B-17  
  BRAKE 3/16 X 50" ..... B-14, B-16, B-18  
  BRAKE 3/8 X 12 ..... B-13  
  BRAKE 3/8 X 13 ..... B-13  
  ENGINE INTAKE ..... A-26  
  HEATER ..... B-30  
  RADIATOR LOWER ..... A-15  
  RADIATOR TOP ..... A-15  
HOSE 5/16 ..... A-16  
HOSE ASM. .... A-34, A-35, A-37  
  -12JIC X 24" ..... B-21  
  DISCHARGE ..... A-37  
HOSE REEL ..... B-40  
HOT PRESSURIZED FLUID WARNING ..... A-44  
HOURMETER  
  ELEC/MECH ..... A-29, A-32  
HOUSING  
  O T B V ..... A-22  
HUB ..... A-6  
  COUPLING ..... A-18  
HUB & DRUM with STUDS ..... B-2, B-5  
HUB with STUDS & BEARING CUPS ..... B-4

### I

IMPROPER OPERATION ..... A-44  
INDICATOR  
  RESTRICTION ..... B-49  
  SEPARATOR ELEMENT ..... B-31  
INDICATOR, SEPARATOR DELTA P ..... B-31  
INSTRUMENT PANEL ASSEMBLY ..... A-29, A-30  
ISOLATOR  
  FRONT ..... A-11  
  REAR ..... A-11

### J

JACK ASSEMBLY ..... A-4, A-5  
J-BOLT ..... A-28

### K

KEY ..... B-49  
  M8 X 10 X 60 ..... A-18  
KEY LOCK CYLINDER ..... B-49  
KIT  
  HUB ..... A-6  
KNOB ASM. .... B-37  
KNOB SWITCH ASSEMBLY ..... A-30, A-32

### L

LAMP ASM. .... A-41  
  MINATURE ..... B-39  
LAMP, PANEL ILLUMINATION ..... B-39  
LATCH  
  PLASTIC ENDCAP ..... A-40  
LEVER  
  PARKING BRAKE ..... B-3, B-11, B-19  
LEVER & PIN  
  LH PARKING ..... B-6  
  RH PARKING ..... B-6  
LEVER KIT  
  LH ACTUATING ..... B-3  
  RH ACTUATING ..... B-3  
LIGHT  
  AMBER CLEARANCE ..... A-9  
  AMBER FLASHNG ..... B-33  
  AMBER SIDE ..... A-33, B-45  
  COMBO TAIL ..... A-9  
  LICENSE ..... A-9, A-33, A-41, B-8, B-10, B-45  
  RED CLEARANCE ..... A-9, A-40, B-8, B-10  
  RED SIDE ..... A-33, B-45  
  STOP / TAIL ..... A-33, B-45  
  TAIL ..... B-7, B-9  
  YELLOW CLEARANCE ..... A-40, B-8, B-10  
LIGHT, REVOLVING AMBER ..... B-33  
LIGHTS  
  DIAGNOSTIC ..... B-36  
LIP ..... B-49  
LOCK  
  COUPLING HOSE ..... B-42, B-44  
LUBRICATOR  
  1 QT. .... B-34  
  2 QT. .... B-35  
LUNETTE  
  ADJUSTABLE HEIGHT ..... B-24, B-26

### M

MAGNET KIT ..... B-3  
MANIFOLD  
  HOSE REEL ..... B-41, B-43  
METER  
  ELECT/MECH HOUR ..... B-37  
MISCELLANEOUS OPTIONS ..... B-49  
MODULE  
  2 LIGHT DIAGNOSTIC ..... B-46  
  2 LIGHT WARNING ..... B-28, B-36, B-37  
  4 LIGHT DIAGNOSTIC ..... B-36, B-38, B-46  
MUFFLER ..... A-13  
  .062 ORIFICE ..... A-35  
  ORIFICE 0.140 ..... A-34, A-38

### N

NET  
  HEX M08 ..... B-19

## WORD INDEX

NIPPLE . . . . . A-19, B-40  
 1.25 X 7" . . . . . A-35  
 1/4 NPT X .88" . . . . . A-38  
 1/4 NPT X 7/8" . . . . . A-36  
 1-1/4 X 2 . . . . . B-34, B-35  
 1-1/4 X 4.5" . . . . . B-48  
 CLOSE 3/4 . . . . . B-21  
 LONG 1.25 X 7" . . . . . A-24  
 NO ETHER . . . . . A-44  
 NOZZLE  
 .395 SONIC ORIFICE . . . . . A-24  
 SONIC . . . . . A-34  
 NUT  
 BRAKE MOUNT HEX . . . . . B-2, B-5  
 HEX 5/16-18 . . . . . A-13  
 HEX FLANGE M08-1.25 . A-15, A-17, A-22, A-41  
 HEX FLANGE M12-1.75 . . . . . A-2  
 HEX FLANGE M16 . . . . . B-25, B-26  
 HEX JAM 5/16-24 . . . . . A-10  
 HEX LOCK 1/4-20 . . . . . A-16  
 HEX LOCK 3/8-16 . . . . . A-13  
 HEX LOCK 5/16-18 . . . . . A-24, B-48  
 HEX LOCK M06 . . . . . A-14  
 HEX LOCKING M06-1.0 . . . . . A-10  
 HEX M08-1.25 . . . . . B-11  
 HEX M10 . . . . . B-19  
 HEX M10-1.5 . . . . . B-11  
 HEX M10-1.50 . . . . . B-32  
 HEX M16 . . . . . B-13, B-15, B-17, B-24  
 HEX M16-2.0 . . . . . A-4, B-49  
 HEX NYLOC 1/2-13 . . . . . A-5  
 HEX NYLOC M08 . . . . . A-25  
 HEX NYLOC M12X1.75 . . . . . A-10  
 HEX NYLOC M16-2.0 . . . . . A-4  
 HXE FLANGE M12 . . . . . B-24, B-26  
 LOCK 1/4-20 . . . . . A-28  
 LOCKING 5/16-18 . . . . . B-12, B-20  
 LOOP HANDLE . . . . . B-49  
 NYLOC 1/2-13 . . . . . B-14, B-16, B-18  
 NYLOC M16 . . . . . B-24, B-25, B-26  
 PLASTIC #4-40 . . . . . A-29, B-37  
 SPINDLE . . . . . A-7, B-2, B-4, B-5  
 WHEEL . . . . . A-7, B-2, B-4, B-5

### O

OIL FILL . . . . . A-43  
 OIL TEMPERATURE BY-PASS VALVE . . . . . A-22  
 OIL TEMPERATURE BY-PASS VAVLE . . . . . A-22  
 OILER, 1 QUART HOSE REEL . . . . . B-34  
 OILER, 2 QUART HOSE REEL . . . . . B-35  
 OPERATING INSTRUCTIONS . . . . . A-44  
 ORIFICE  
 .062 MUFFLER . . . . . A-24  
 .140 MUFFLER . . . . . A-24  
 OIL . . . . . A-22  
 O-RING . . A-19, A-20, A-21, A-22, A-23, A-36, A-37,  
 B-38, B-40

### P

PAN  
 CENTER BELLY . . . . . A-3  
 CURB SIDE BELLY . . . . . A-3  
 STREET SIDE BELLY . . . . . A-3  
 PANEL  
 ACCESS DOOR ACOUSTIC . . . . . A-42  
 BOTTOM REAR END ACOUSTIC . . . . . A-42  
 FRONT ROOF ACOUSTIC . . . . . A-42  
 INSTRUMENT . . . . . A-29, B-36, B-37  
 REAR END ACOUSTIC . . . . . A-42  
 REAR ROOF ACOUSTIC . . . . . A-42  
 SIDE . . . . . A-39  
 SIDE DOOR ACOUSTIC . . . . . A-42  
 PANEL, FULL DIAGNOSTICS INSTRUMENT w/  
 ELECTRIC AFRI . . . . . B-36  
 PANEL, FULL GAUGE INSTRUMENTwo/ START-  
 RUN VALVE . . . . . B-37, B-38  
 Parts Ordering . . . . . 2-1  
 PIN  
 CLEVIS .31 X .75 . . . . . B-11, B-19  
 COTTER . . . . . A-7, B-2, B-4, B-5  
 COTTER .09 . . . . . B-12, B-20  
 QUICK RELEASE . . . . . A-16  
 ROLL . . . . . A-5  
 SHOE HOLD DOWN . . . . . B-3  
 PINTLE EYE . . . . . A-4  
 PIPE  
 EXHAUST TAIL . . . . . A-13  
 TURBO-MUFFLER . . . . . A-13  
 PISTON . . . . . A-21  
 PLATE  
 BAIL EYE . . . . . A-2  
 PLATE AS.  
 BACKING . . . . . B-6  
 PLATE ASM.  
 LH BACKING . . . . . B-3  
 RH BACKING . . . . . B-3  
 PLUG . . . . . A-36, B-40  
 1 5/8 . . . . . A-23  
 ADJUSTING SCREW . . . . . B-3  
 ADJUSTING SLOT . . . . . B-6  
 CAP . . . . . A-27  
 EZ LUBE RUBBER . . . . . B-2, B-4, B-5  
 HEX 1.06-12 . . . . . A-20, A-21, A-23  
 HEX 7/16 . . . . . A-19  
 HEX COUNTER SINK . . . . . B-21  
 HEX COUNTERSINK 1-1/4" . . . . . B-41  
 HEX COUNTERSINK 3/4" . . . . . B-41, B-43  
 HEX CTRSK 1/4 NPT . . . . . A-15  
 SOC HD 3/4 . . . . . A-20  
 VENTED 1.62 . . . . . A-36  
 PLUNGER PIN KIT . . . . . A-5

### R

RADIATOR . . . . . A-14  
 RADIATOR FILL . . . . . A-44

## WORD INDEX

REDUCER  
TUBE .....B-22  
REEL ASM.  
HOSE ..... B-41, B-43  
REEL ASM., HOSE ..... B-40  
REEL, DOUBLE HOSE ..... B-43, B-44  
REEL, SINGLE HOSE ..... B-41, B-42  
REFLECTOR  
AMBER ..... A-9, A-40, B-7, B-9  
RED ..... A-9, A-40, B-8, B-10  
RELAY ..... A-26, A-31, A-32, B-28, B-46  
FUEL SHUTDOWN ..... B-36, B-38  
RESERVIOR  
OVERFLOW ..... A-16  
RIVET ..... A-43  
3/16" ALUMINUM ..... A-29, A-30, A-40  
ROOF ..... A-41  
ROTATING FAN WARNING ..... A-43, A-44  
RUNNING GEAR COMPLETE ..... A-6, A-7  
RUNNING GEAR w/ BRAKES ..... B-19

### S

SCHEMATIC, 4 LIGHT WIRING ..... B-45  
SCHEMATIC, OPTION WIRING ..... B-46  
SCREW

HEX M16-2.0 X 40 ..... A-12  
11/32" HI-LO ..... A-39  
BRAKE MOUNT ..... B-2, B-5  
FILLISTER HD #10-32 X 1/2 ..... B-28  
FLANGE LOCK M08-1.25 X 16 ..... A-20  
HEX #10-32 X 1.25" ..... B-33  
HEX #10-32 X 1/2" ..... A-25  
HEX 1/2-13 X 4 ..... B-13, B-15, B-18  
HEX 1/4-20 X 1.0" ..... A-16  
HEX 3/8-16 X 1.50" ..... B-40  
HEX 5/16-18 X 1 ..... B-12, B-20  
HEX 5/16-18 X 1 1/4" ..... A-13  
HEX FLANG HD M16 X 30 ..... B-2, B-4, B-5  
HEX FLANGE HD M12 ..... A-23  
HEX FLANGE M10-1.5 X 30 ..... A-18  
HEX FLANGE M12-1.75 X 20 ..... A-13  
HEX FLANGE M12-1.75 X 25 .. A-2, A-4, B-24,

B-26  
HEX FLANGE M12-1.75 X 30 ..... A-11  
HEX FLANGE M12-1.75 X 40 ..... A-2  
HEX FLANGE M16-2.0 X 30 ..... A-11  
HEX M06-1.0 X 25 ..... A-10  
HEX M06-1.0 X 55 ..... A-14  
HEX M08-1.25 X 100 ..... A-12  
HEX M08-1.25 X 16 ..... A-10, A-26  
HEX M08-1.25 X 20 ..... A-13, A-14  
HEX M08-1.25 X 25 A-22, B-11, B-19, B-41, B-43  
HEX M08-1.25 X 80 ..... A-22  
HEX M10-1.5 X 35 ..... B-11, B-19  
HEX M10-1.50 X 20 ..... B-32  
HEX M12-1.75 X 35 ..... A-11  
HEX M12-1.75 X 40 ..... B-22  
HEX M12-1.75 X 70 ..... A-11  
HEX M12-1.75 X 80 ..... A-10  
HEX M16 X 200 ..... B-13, B-15, B-17  
HEX M16-2.0 X 12 ..... B-24  
HEX M16-2.0 X 120 ..... A-4, B-49  
HEX M16-2.0 X 30 ..... A-6  
HEX M16-2.0 X 50 ..... B-25, B-26  
HEX M16-2.0 X 75 ..... A-4, B-24, B-25, B-26  
HEX SOCKET SET M08-1.25 X 12 ..... A-18  
HEX TAPPING M06-1.0 X 12 ..... A-2  
HEX TAPPING M08-1.25 X 20 ... A-2, A-4, A-9, A-11  
PAN HD #8-32 X 0.6 ..... B-37  
PAN HD M06-1.0 X 16 ..... A-30  
SOC HD M06-1.0 X 20 ..... A-19  
SOC HD M08-1.25 X 16 ..... A-20  
SOC HD M08-1.25 X 25 ..... A-19  
SOC HD M08-1.25 X 45 ..... A-19  
SOC HD M10-1.50 X 25 ..... A-21  
SOCKET HEAD 3/8-16 X 3/4" ..... A-18  
TAPPING 1/2-13 X 1" ..... B-32  
TAPPING 1/4-10 X .75" ..... A-41  
TAPPING 38-16 X 3/4" ..... A-28  
TAPPING M06-1.0 X 12 A-16, A-26, A-39, A-41, B-7, B-9, B-30  
TAPPING M06-1.0 X 14 . A-14, A-17, A-40, B-7, B-9, B-14, B-16, B-18, B-42, B-44  
TAPPING M06-1.0 X 20 A-17, B-12, B-14, B-16, B-18, B-20  
TAPPING M08-1.25 X 20 A-15, A-17, A-22, A-23, A-24, A-25, A-26, A-28, A-39, B-8, B-10, B-14, B-16, B-18, B-30, B-48  
TAPPING M08-1.25 X 40 ..... A-25  
TAPPING PAN HD #8-32 X 5/8 ..... A-30  
SCREW ASM.  
ADJUSTING ..... B-3, B-6  
SEAL ..... A-20, A-21  
EZ LUBE GREASE ..... B-2, B-4, B-5  
GREASE ..... A-6  
U-TYPE VITON ..... A-22



## WORD INDEX

- SENDER  
DISCHARGE TEMPERATURE .....B-38  
ENGINE TEMPERATURE ..... B-36, B-38  
FUEL LEVEL ..... B-28, B-36, B-38, B-46  
OIL PRESSURE .....B-38  
PRESSURE .....B-46  
TEMPERATURE .....B-46  
SEPARATOR TANK COMPLETE .....A-23  
SERIAL NUMBER PLATE .....A-43  
SHAFT  
BEARING .....B-40  
SHOE ..... B-3, B-6  
SHROUD  
FAN .....A-17  
SOLENOID  
12 VDC .....B-47  
FUEL .....A-32  
SPACER ..... B-12, B-20  
FAN .....A-12  
HYDRAULIC DRAWBAR ..... B-13, B-15, B-17  
NYLON .....A-16  
SPRING ..... A-21, A-22, B-40, B-49  
ADJUSTER .....B-3  
GAS .....A-41  
RETRACTOR .....B-3  
SHOE HOLD DOWN .....B-3  
STARTER .....A-31  
STEM .....A-21  
VALVE .....A-8  
STIFFNER  
PLASTIC ENDCAP .....A-39  
STRAINER  
FUEL TANK .....B-49  
STRAP  
GROUND .....A-28  
HOLD DOWN EXTERIOR .....A-25  
HOLD DOWN INTERIOR .....A-25  
WATER BOTTLE HOLDDOWN .....A-16  
STRIP  
FOAM .....A-17  
SEAL .....A-17  
STUD ..... B-2, B-4, B-5  
BALL M08 .....A-41  
WHEEL .....A-6  
SUPPORT  
CENTRAL DRAIN .....B-22  
HYDRAULIC ACTUATOR ..... B-13, B-15, B-17  
WATER BOTTLE .....A-16  
SWITCH  
ADAPTER ..... A-29  
AIR END HIGH AIR TEMPERATURE .... A-32  
DISCHARGE AIR TEMPERATURE ..... A-32  
ENGINE OIL PRESSURE ..... A-32  
HIGH ENGINE TEMPERATURE ..... A-32  
IGNITION ..... B-37  
PRESSURE 12PSI ..... A-12  
ROCKER ..... B-47  
SHUT DOWN ..... A-37  
START .....A-29, A-32  
TOGGLE ..... B-33  
VACUUM .....B-36, B-38  
SWITHC  
BREAKAWAY .....B-7, B-9  
**T**  
TAB  
MALE SPADE ..... B-38  
TACHOMETER .....B-37, B-46  
TAIL LIGHT and BRAKE WIRING ..... A-9  
TAIL LIGHT WIRING DIAGRAM ..... A-33  
TANK  
FUEL .....A-25, B-23  
HEATER ..... B-30  
SEPARATOR ..... A-23  
TEE  
1/4 NPT X 3/8 TUBE ..... B-47  
1/8 NPT ..... A-37  
1/8 NPT STREET ..... B-38  
3/16 INVERTED ..... B-13, B-15, B-17  
STREET ..... A-35  
STREET 1/2 NPT .....A-23, B-31  
STREET 1/4 NPT .....A-24, B-31  
SWIVEL NUT -16JIC ..... B-22  
TERMINAL  
LUG .....B-7, B-9  
SNAP .....B-7, B-9  
SPLICE .....B-7, B-9  
TIRE  
ST205/75D15 ..... A-8  
TOW CHAINS NOTICE ..... A-43  
TRAY  
BATTERY ..... A-28  
TUBE  
BOTTOM OIL ..... A-15  
JACK MOUNTING ..... A-4  
SERVICE .....A-24, A-34, A-38  
SIGHT ..... A-36  
SIGHT GAUGE ..... A-23  
TOP OIL ..... A-15  
TUBE ASM. .... A-37  
BOTTOM COOLER ..... A-35  
OIL INJECTION ..... A-19  
TOP COOLER ..... A-35  
TUBING .....A-34, A-37, A-38  
3/16 X 18.88" ..... B-14, B-16, B-18  
3/8 SYNFLEX ..... B-47

## WORD INDEX

### U

UNION  
1-1/4 NPT ..... B-34, B-35  
UNION. 3/16 ..... B-16  
UNLOADER ASSEMBLY ..... A-21

### V

V. I. N. .... A-43  
V. I. N. OVERLAY ..... A-43  
VALVE  
2-WAY ..... A-36  
2-WAY START / RUN ..... A-29  
BALL ..... A-24, A-34  
BALL 3/4 T-HANDLE ..... B-21  
BLOWDOWN ..... A-24, A-35  
BYPASS ..... A-35  
CHECK ..... A-23  
CHECK .078 ..... A-37  
DRAIN ..... A-14, B-23  
DUST EJECTOR ..... A-27  
GLOBE ..... B-40  
MINIMUM PRESSURE CHECK ..... B-41, B-43  
ORIFICE / CHECK ..... A-35  
OSHA CHECK ..... B-42, B-44  
PRESSURE REGULATOR ... A-24, A-35, A-38  
SAFETY ..... A-23, A-35  
SOLENOID 24V ..... A-38  
UNLOADER ..... A-21  
WYE ..... A-24, A-36, B-48  
VALVE, ELECTRIC START-RUN ..... B-47  
VALVE, MINIMUM PRESSURE ..... B-48  
VLAVE  
MINIMUM PRESSURE ..... B-48

### W

WASHER  
3/8 FLAT ..... B-11  
3/8" LOCK ..... B-40  
FLAT ..... A-4, A-10, A-18  
FLAT 1/4 ..... A-14, A-16  
FLAT 3/8 ..... A-15, B-19  
FLAT 3/8 X 7/8 ..... A-12  
FLAT 7/8" ..... B-42, B-43  
PLASTIC ..... A-17, A-28  
SNUBBER ..... A-11  
SPINDLE ..... A-7, B-2, B-4, B-5  
WHEEL  
15 X 6 ..... A-8  
WIRE  
14 AWG ..... B-33  
14 AWG BROWN ..... B-47  
14 AWG ORANGE ..... B-47  
14 GA BLACK ..... B-8, B-10  
WIRING DIAGRAM ..... A-31, A-32, A-43  
WSHER  
FLAT ..... A-20

### Y

YOKE  
CASTER WHEEL ..... A-5



Drilling Solutions  
Ingersoll-Rand Company  
2100 North First Street  
Garland Texas, 75040