



# PARTS MANUAL

## COMPRESSOR MODEL

HP675WCU

XP750WCU

HP750WCU

XP825WCU

CODE  
E

CODE  
E



This manual contains important safety information.

Do not destroy this manual.

This manual must be available to the personnel who operate and maintain this machine.

*Doosan purchased Bobcat Company from Ingersoll-Rand Company in 2007. Any reference to Ingersoll-Rand Company or use of trademarks, service marks, logos, or other proprietary identifying marks belonging to Ingersoll-Rand Company in this manual is historical or nominative in nature, and is not meant to suggest a current affiliation between Ingersoll-Rand Company and Doosan Company or the products of either.*

Utility Equipment  
P.O. Box 868 - 501 Sanford Ave  
Mocksville, N.C. 27028  
[www.irutilityequipment.com](http://www.irutilityequipment.com)

Book 22826218 Revision A (02/06)

**Revised (09-12)**



# TABLE OF CONTENTS

TITLE	PAGE
<b>Section B - COMPRESSOR PARTS</b>	
GENERAL ARRANGEMENT . . . . .	B-2
FRAME ASSEMBLY . . . . .	B-3
FRAME ASSEMBLY cont'd . . . . .	B-4
FRAME ASSEMBLY cont'd . . . . .	B-5
FRAME ASSEMBLY cont'd . . . . .	B-6
BELLY PANS . . . . .	B-7
RUNNING GEAR . . . . .	B-8
RUNNING GEAR cont'd . . . . .	B-9
HUB and AXLE . . . . .	B-10
ELECTRIC BRAKE PAD ASSEMBLY . . . . .	B-11
DRAWBAR JACK ASSEMBLY . . . . .	B-12
PARKING BRAKE ASSEMBLY . . . . .	B-13
PARKING BRAKE ASSEMBLY cont'd . . . . .	B-14
ENGINE FAN and MOUNT . . . . .	B-15
EXHAUST COMPLETE . . . . .	B-16
AIR END COMPLETE . . . . .	B-17
GEAR CASE HOUSING ASSEMBLY . . . . .	B-18
GEAR CASE HOUSING ASSEMBLY cont'd . . . . .	B-19
ROTOR HOUSING ASSEMBLY . . . . .	B-20
REAR BEARING HOUSING . . . . .	B-21
REAR BEARING COVER . . . . .	B-22
UNLOADER ASSEMBLY . . . . .	B-23
UNLOADER ASSEMBLY cont'd . . . . .	B-24
COOLER MOUNTING . . . . .	B-25
COOLER MOUNTING cont'd . . . . .	B-26
COOLER PIPING . . . . .	B-27
COOLER PIPING cont'd . . . . .	B-28
COOLER PIPING cont'd . . . . .	B-29
FUEL TANK ASSEMBLY . . . . .	B-30
FUEL TANK PIPING . . . . .	B-31
FUEL TANK PIPING cont'd . . . . .	B-32
AIR INTAKE . . . . .	B-33
AIR INTAKE cont'd . . . . .	B-34
SEPARATOR TANK ASSEMBLY . . . . .	B-35
SEPARATOR TANK ASSEMBLY cont'd . . . . .	B-36
SEPARATOR TANK COMPLETE . . . . .	B-37
SEPARATOR TANK COMPLETE cont'd . . . . .	B-38
MINIMUM PRESSURE CHECK VALVE . . . . .	B-39
SERVICE AIR PIPING . . . . .	B-40
AIR PIPING . . . . .	B-41
AIR PIPING cont'd . . . . .	B-42
AIR PIPING cont'd . . . . .	B-43
AIR PIPING cont'd . . . . .	B-44
OIL PIPING . . . . .	B-45
OIL PIPING cont'd . . . . .	B-46
COMPRESSOR OIL FILTER . . . . .	B-47
INSTRUMENT PANEL FACE . . . . .	B-48
INSTRUMENT PANEL FACE cont'd . . . . .	B-49
INSTRUMENT PANEL FACE cont'd . . . . .	B-50
INSTRUMENT PANEL BACK . . . . .	B-51
BATTERY MOUNT . . . . .	B-52
RELAY MOUNTING . . . . .	B-53
SENDERS, SENSORS and SWITCHES . . . . .	B-54
ELECTRIC BRAKE LIGHT WIRING SCHEMATIC . . . . .	B-55

# TABLE OF CONTENTS

TITLE	PAGE
CHASSIS HARNESS SCHEMATIC . . . . .	B-56
CHASSIS HARNESS SCHEMATIC cont'd . . . . .	B-57
INSTRUMENT PANEL HARNESS SCHEMATIC . . . . .	B-58
CHASSIS HARNESS SCHEMATIC PARTS . . . . .	B-59
EXTERNAL ENCLOSURE . . . . .	B-60
EXTERNAL ENCLOSURE cont'd . . . . .	B-61
EXTERNAL ENCLOSURE cont'd . . . . .	B-62
EXTERNAL ENCLOSURE cont'd . . . . .	B-63
INTERIOR ENCLOSURE . . . . .	B-64
LIGHTS and CONNECTOR . . . . .	B-65
EXTERNAL ENCLOSURE FOAM INSULATION . . . . .	B-66
EXTERNAL ENCLOSURE FOAM INSULATION cont'd . . . . .	B-67
INTERNAL ENCLOSURE FOAM INSULATION . . . . .	B-68
STREET SIDE DECAL LOCATION . . . . .	B-69
CURB SIDE DECAL LOCATION . . . . .	B-70

## Section C - OPTION PARTS

AFTERCOOLER with WATER SEPARATOR . . . . .	C-2
AFTERCOOLER with WATER SEPARATOR cont'd . . . . .	C-3
AFTERCOOLER with WATER SEPARATOR cont'd . . . . .	C-4
AFTERCOOLER with WATER SEPARATOR cont'd . . . . .	C-5
IQ AFTERCOOLER PIPING . . . . .	C-6
IQ AFTERCOOLER PIPING cont'd . . . . .	C-7
IQ AFTERCOOLER PIPING cont'd . . . . .	C-8
IQ AFTERCOOLER PIPING cont'd . . . . .	C-9
IQ AFTERCOOLER MOUNTING . . . . .	C-10
IQ AFTERCOOLER MOUNTING cont'd . . . . .	C-11
IQ INSTRUMENT PANEL . . . . .	C-12
CENTRAL DRAINS . . . . .	C-13
CENTRAL DRAINS cont'd . . . . .	C-14
COLD START HEATERS . . . . .	C-15
FRONT HYDRAULIC BRAKE PAD ASSEMBLY . . . . .	C-16
REAR HYDRAULIC BRAKE PAD ASSEMBLY . . . . .	C-17
HYDRAULIC BRAKE ACTUATOR . . . . .	C-18
HYDRAULIC BRAKE PIPING . . . . .	C-19
HYDRAULIC BRAKE PIPING cont'd . . . . .	C-20
HYDRAULIC BRAKE LIGHT WIRING SCHEMATIC . . . . .	C-21
GALVANNEAL ENCLOSURE . . . . .	C-22
GALVANNEAL ENCLOSURE cont'd . . . . .	C-23
SECURABLE LIFT EYE . . . . .	C-24
LESS RUNNING GEAR . . . . .	C-25

---

## **Section A - Parts Ordering**



## **GENERAL**

This publication, which contains an illustrated parts breakdown, has been prepared as an aid in locating those parts which may be required in the maintenance of the unit. Always insist on genuine Ingersoll-Rand Company parts for your compressor.

**Ingersoll-Rand Company can bear no responsibility for injury or damages resulting directly from the use of non-approved repair parts.**

Ingersoll-Rand Company service facilities and parts are available worldwide. Consult local yellow pages or visit: [www.portablepower.irco.com](http://www.portablepower.irco.com).

Special order parts may not be included in this manual. Contact the Mocksville Parts Department with the unit serial number for assistance with these special parts.

### **Description**

The illustrated parts breakdown illustrates and lists the various assemblies, subassemblies and detailed parts which make up this particular machine. This covers the standard models and the more popular options that are available.

In referring to the rear, the front or to either side of the unit, always consider the drawbar end of the unit as the front.

Standing at the rear of the unit facing the drawbar (front) will determine the right and left sides.

### **Fasteners**

Both SAE/inch and ISO/metric hardware have been used in the design and assembly of these units. In the disassembly and reassembly of parts, extreme care must be taken to avoid damaging threads by the use of wrong fasteners.

### **How To Order**

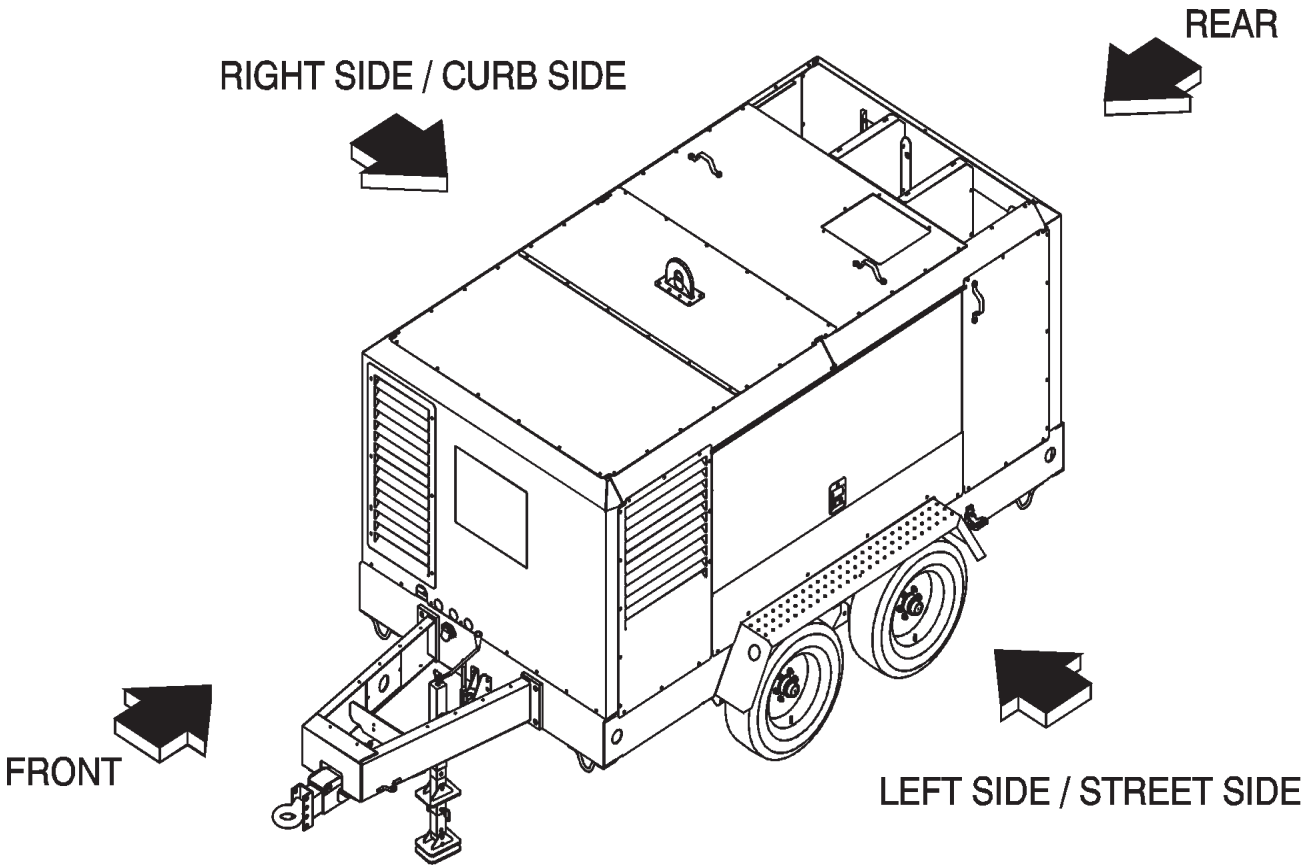
Always specify the model and serial number of the unit.

Specify the part number and description.

**Section B - COMPRESSOR PARTS**



GENERAL ARRANGEMENT

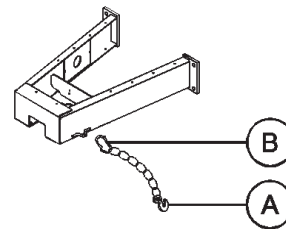
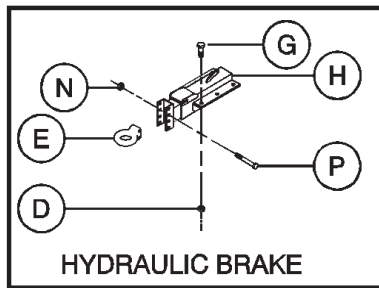
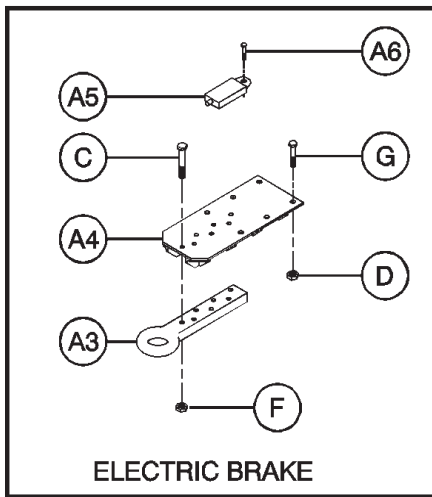
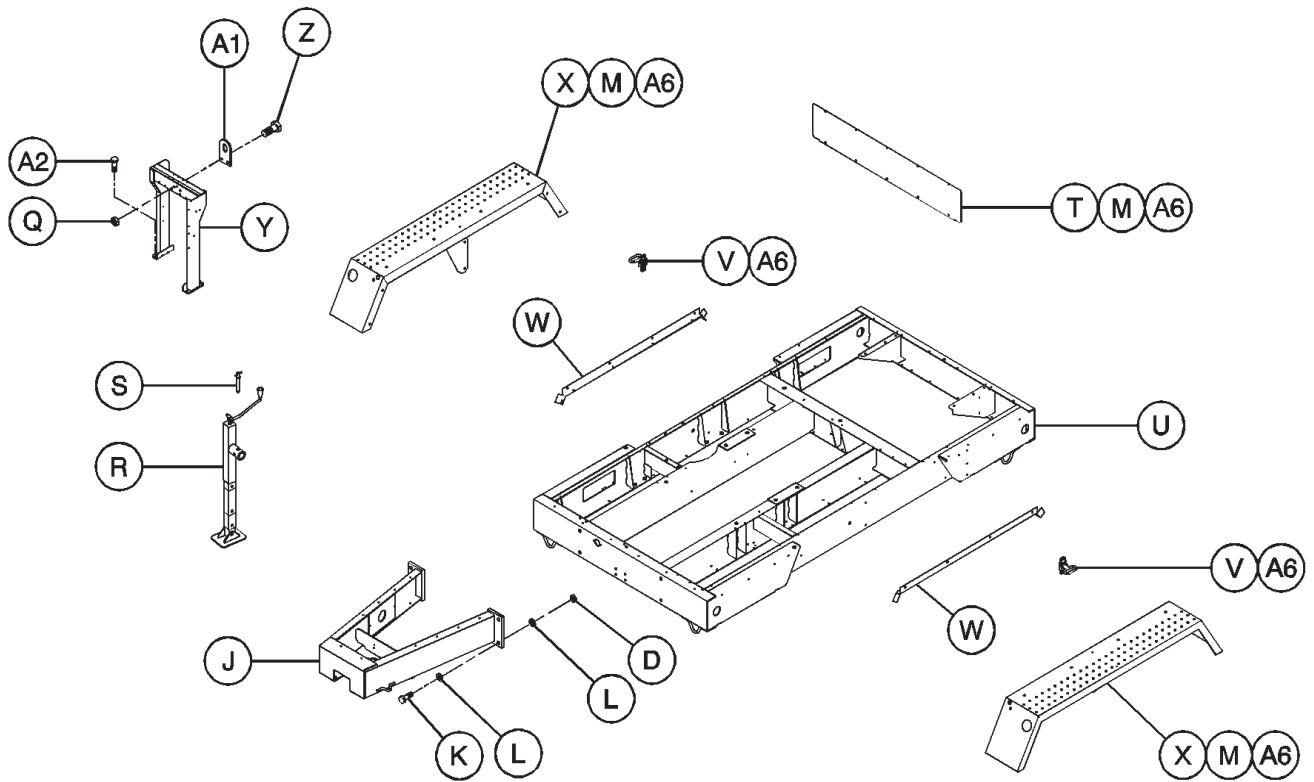


22826218\_cp01\_03/06\_A

ITEM	COMM. NO.	DESCRIPTION	QTY	DIMENSIONS/NOTES



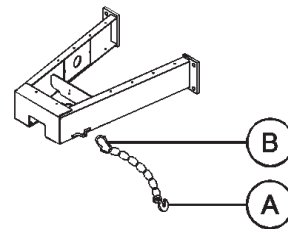
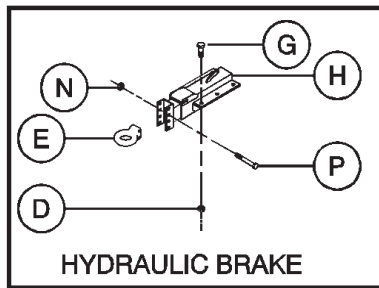
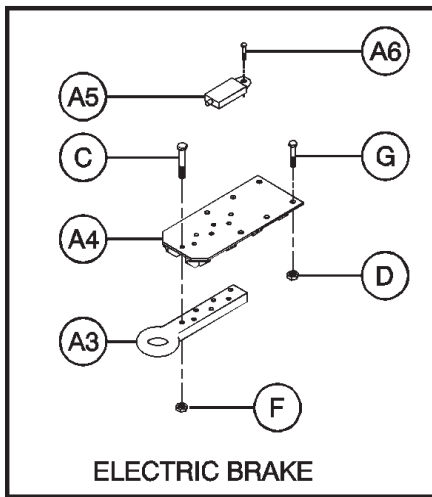
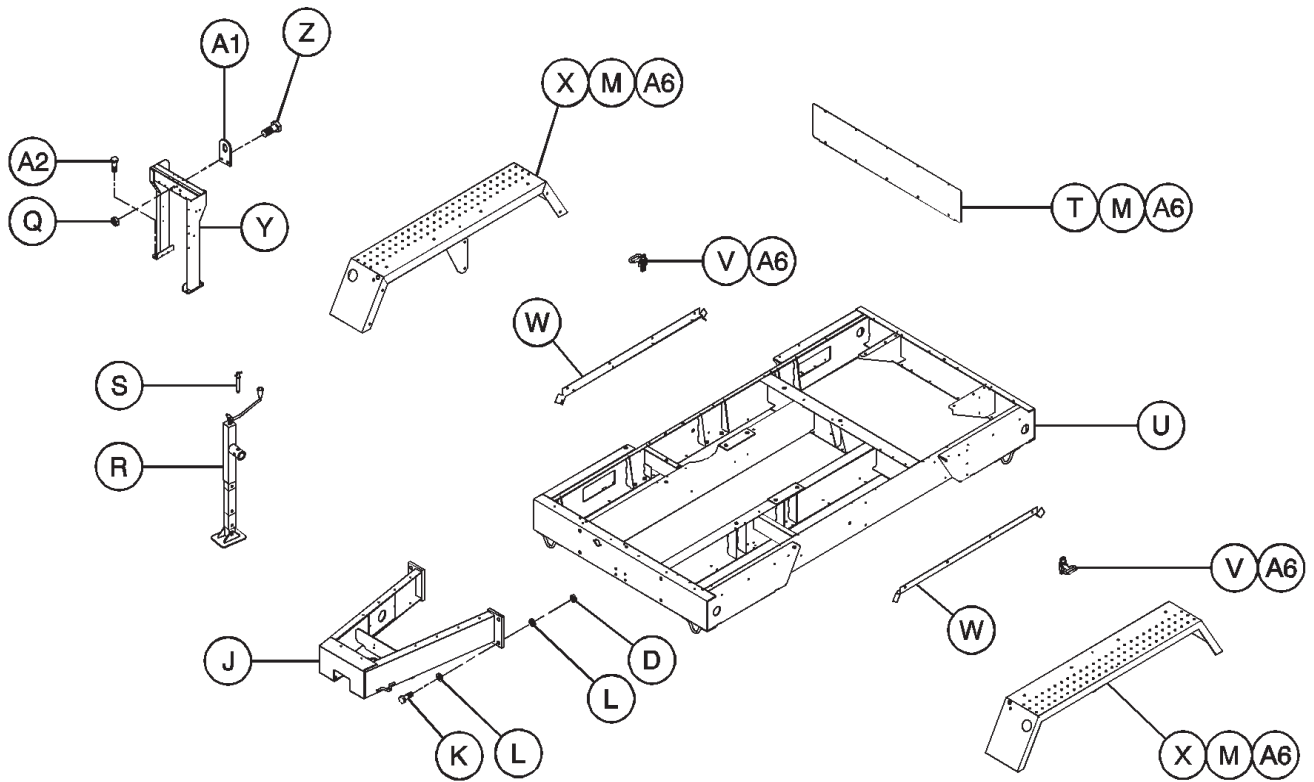
## FRAME ASSEMBLY



22826218\_cp02\_03/06\_A

ITEM	COMM. NO.	DESCRIPTION	QTY	DIMENSIONS/NOTES
A	35604636	Chain Assembly	2	
B	35369800	Coupling, Chain	2	
C	95934170	Screw, Hex 5/8-11 x 3.0"	7	
D	35356526	Nut, Hex Lock Torq M20-2.5	10	
E	35605187	Eye, Pintle	1	
F	35374453	Nut, Hex Torq 5/8-11	7	
G	35272558	Screw Hex M20-2.5 x 45	6	
H	36734879	Actuator, Hydraulic Brake	1	

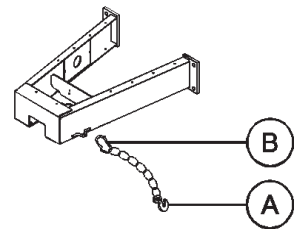
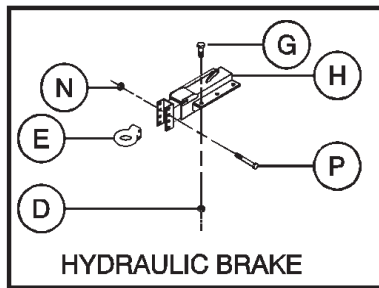
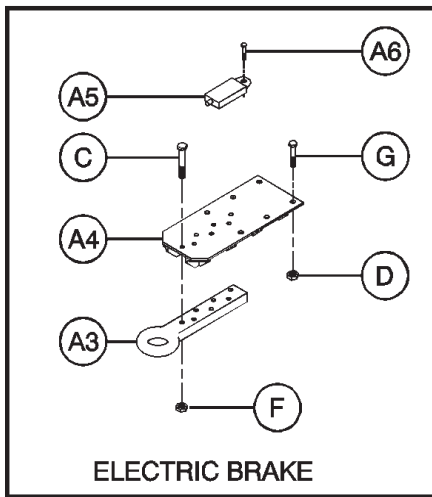
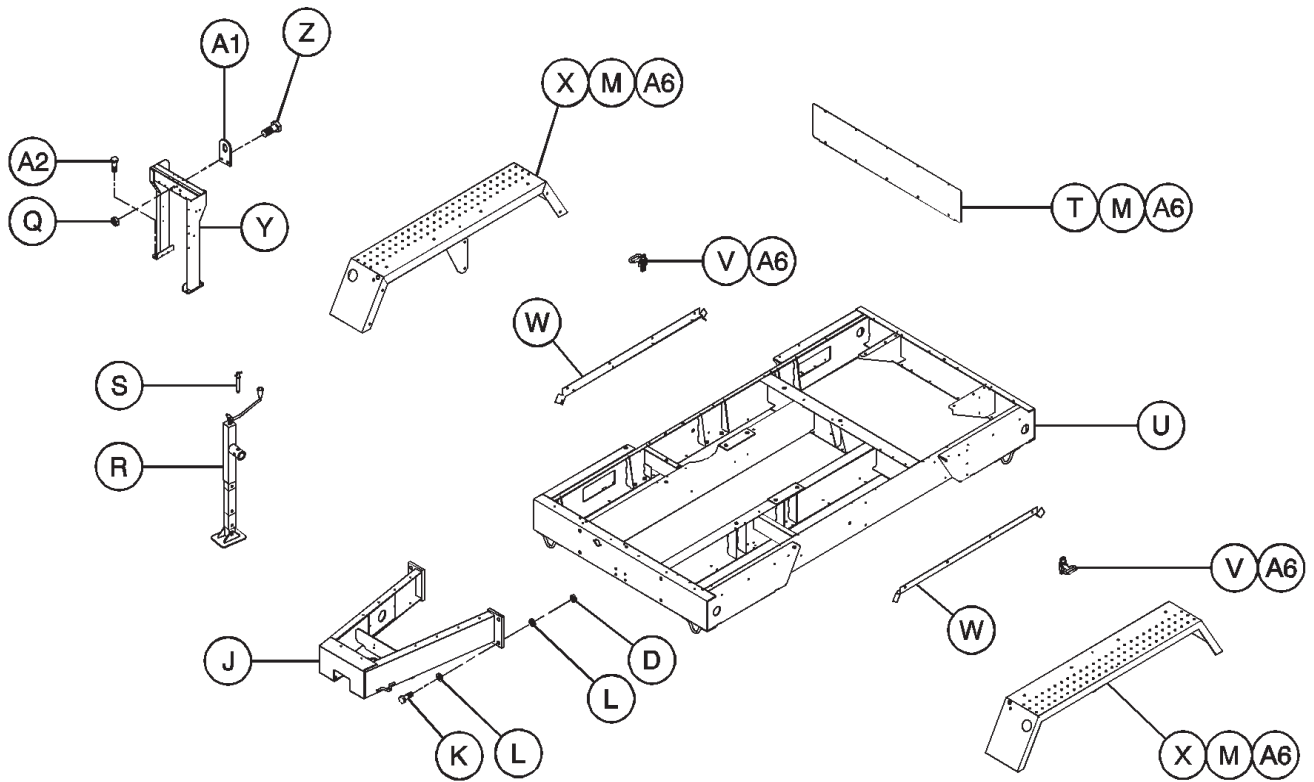
# FRAME ASSEMBLY cont'd



22826218\_cp02\_03/06\_A

ITEM	COMM. NO.	DESCRIPTION	QTY	DIMENSIONS/NOTES
J	22247191	Drawbar	1	
K	35375963	Screw, Hex M20-2.5 x 75	4	
L	95935011	Washer, Flat	8	
M	36895746	Nutsert, Hex M08	29	
N	96701750	Nut, Hex M16-2.0	4	
P	35376094	Screw, Hex M16-2.0 x 120	2	
Q	96702741	Nut, Nylock M20-2.50	2	
R	36870111	Jack, Drawbar	1	

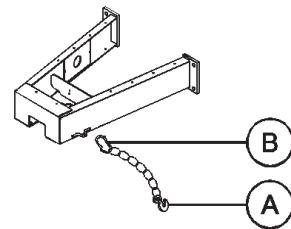
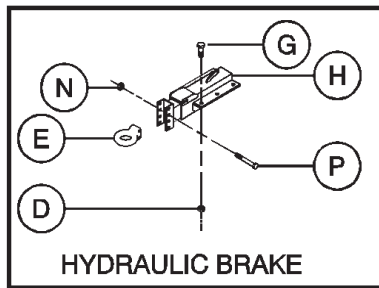
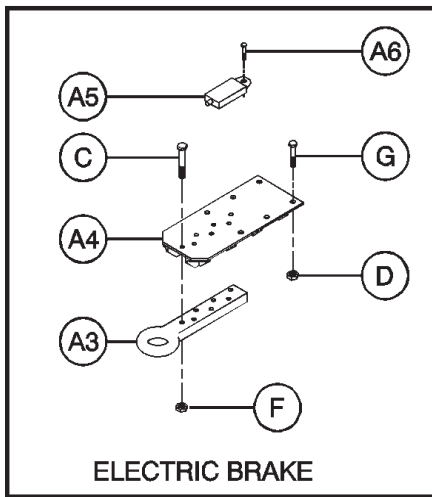
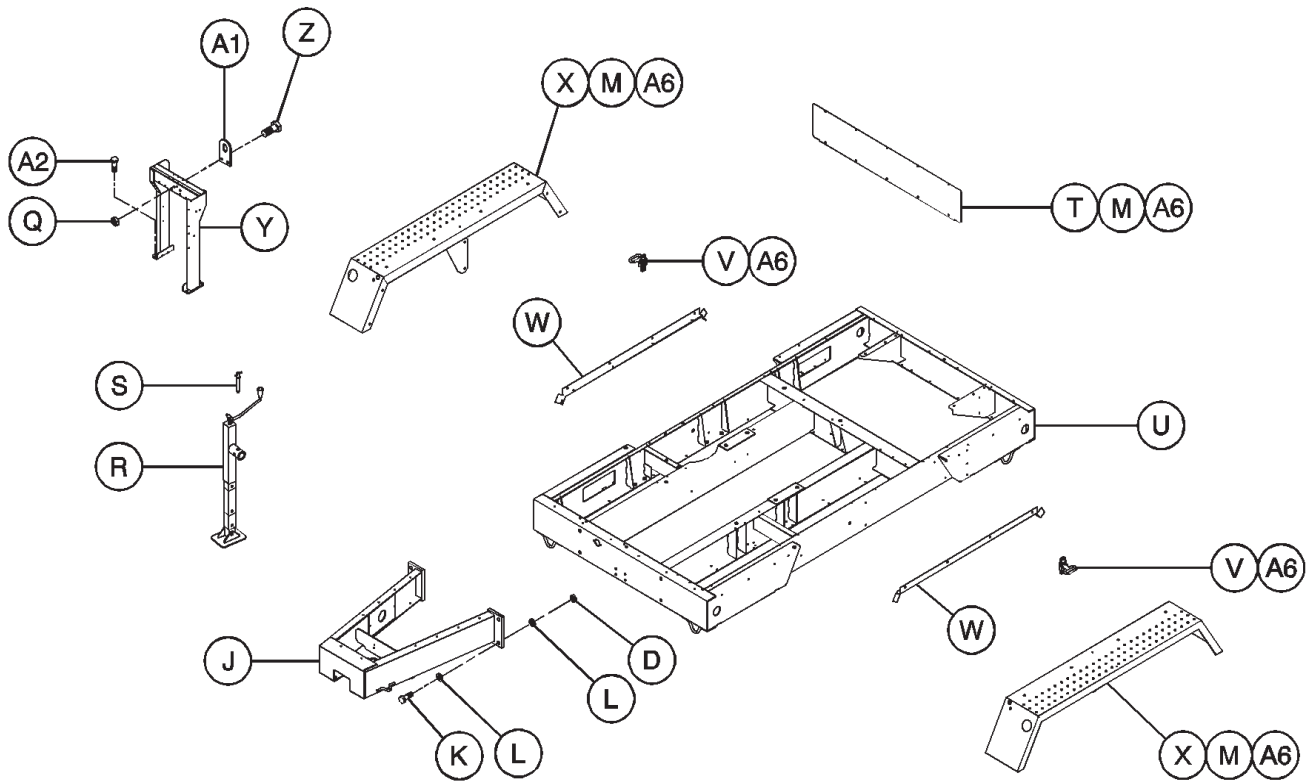
# FRAME ASSEMBLY cont'd



22826218\_cp02\_03/06\_A

ITEM	COMM. NO.	DESCRIPTION	QTY	DIMENSIONS/NOTES
S	35609544	Pin, Quick Release	1	
T	22231732	Bellypan, Discharge	1	
U	22157556	Frame, HSRG	1	
V	35369313	Step, Folding	2	
W	22199582	Panel, Fender Support	2	
X	22193718	Fender (Standard)	2	
	22193734	Fender (Galvaneal)	2	
Y	22159859	Bail, Lifting	1	

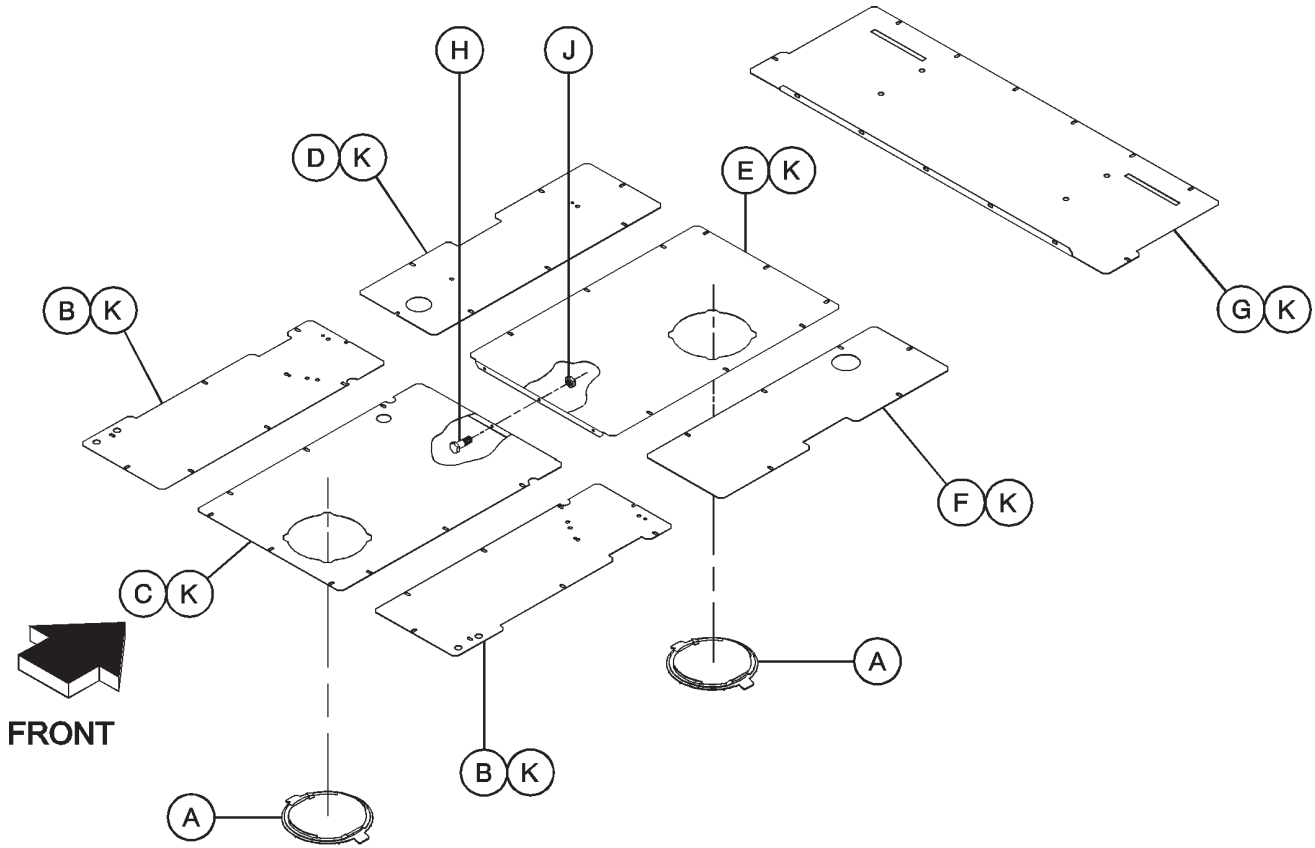
## FRAME ASSEMBLY cont'd



22826218\_cp02\_03/06\_A

ITEM	COMM. NO.	DESCRIPTION	QTY	DIMENSIONS/NOTES
Z	36763670	Screw, Hex M20-2.50 x 60	2	
A1	22182307	Plate, Lifting	1	
A2	96700901	Screw, Hex M20-2.50 x 40	4	
A3	35327840	Eye, Pintle	1	
A4	36742880	Bracket, Pintle Eye	1	
A5	35315944	Switch, Break-Away	1	
A6	35279025	Screw, Tapping M08-1.25 x 20	39	

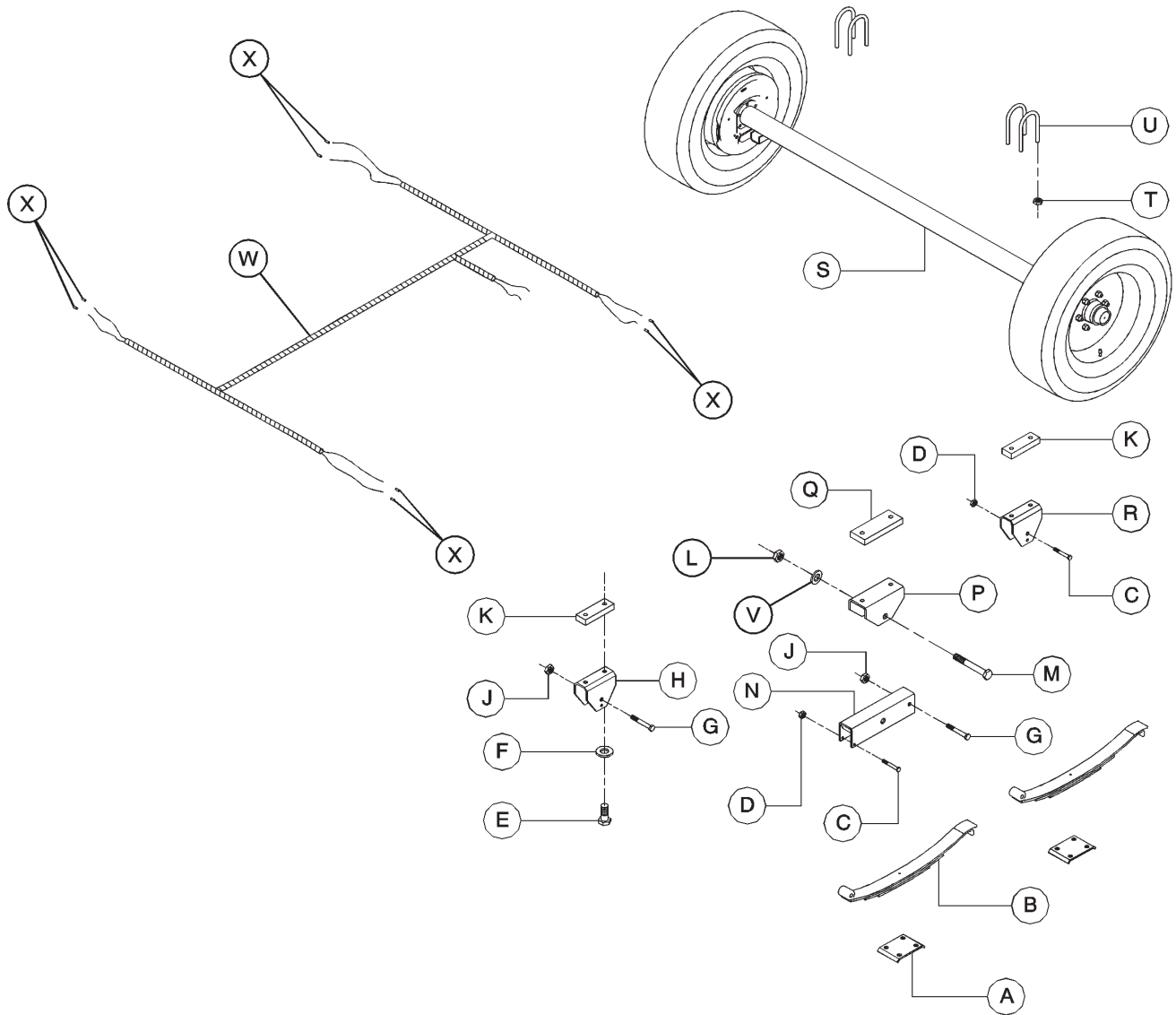
## BELLY PANS



22826218\_cp03\_03/06\_A

ITEM	COMM. NO.	DESCRIPTION	QTY	DIMENSIONS/NOTES
A	36880623	Cover, Access	2	
B	22231674	Bellypan, Front Outside	2	
C	22384754	Bellypan, Air End	1	
D	22231682	Bellypan, Right Middle	1	
E	22384747	Bellypan, Engine	1	
F	22231690	Bellypan, Left Middle	1	
G	22231724	Bellypan, Rear Discharge	1	
H	36889608	Screw, Hex Flange M08-1.25 x 25	3	
J	36881886	Nut, Hex Flange M08-1.25	3	
K	35279025	Screw, Hex M08-1.25 x 20	55	

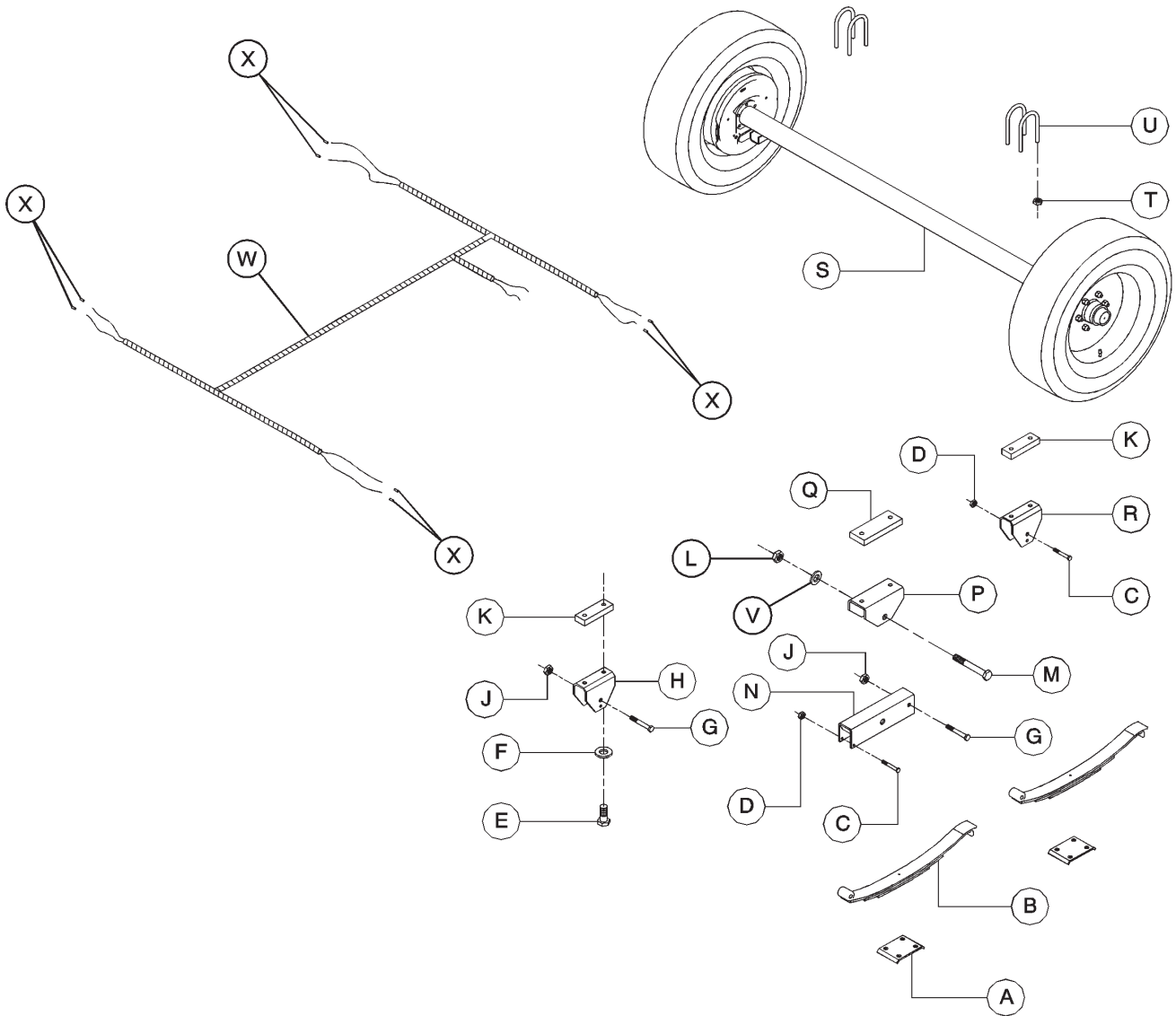
# RUNNING GEAR



22826218\_cp04\_03/06\_A

ITEM	COMM. NO.	DESCRIPTION	QTY	DIMENSIONS/NOTES
A	35315241	Plate, Tie	4	
B	35315126	Spring, Slipper	4	
C	35315365	Screw, Keeper	4	
D	35315373	Nut, Keeper	4	
E	96739958	Screw, Hex M12-1.75 x 70	12	
F	95935003	Washer, Flat	12	
G	35315340	Screw, Shackle	4	
H	35326958	Hanger, Front	2	
J	35315357	Nut, Shackle	4	
K	22278212	Spacer, Shackle	4	
L	36784882	Nut, Equalizer	2	
M	36784874	Screw, Equalizer	2	

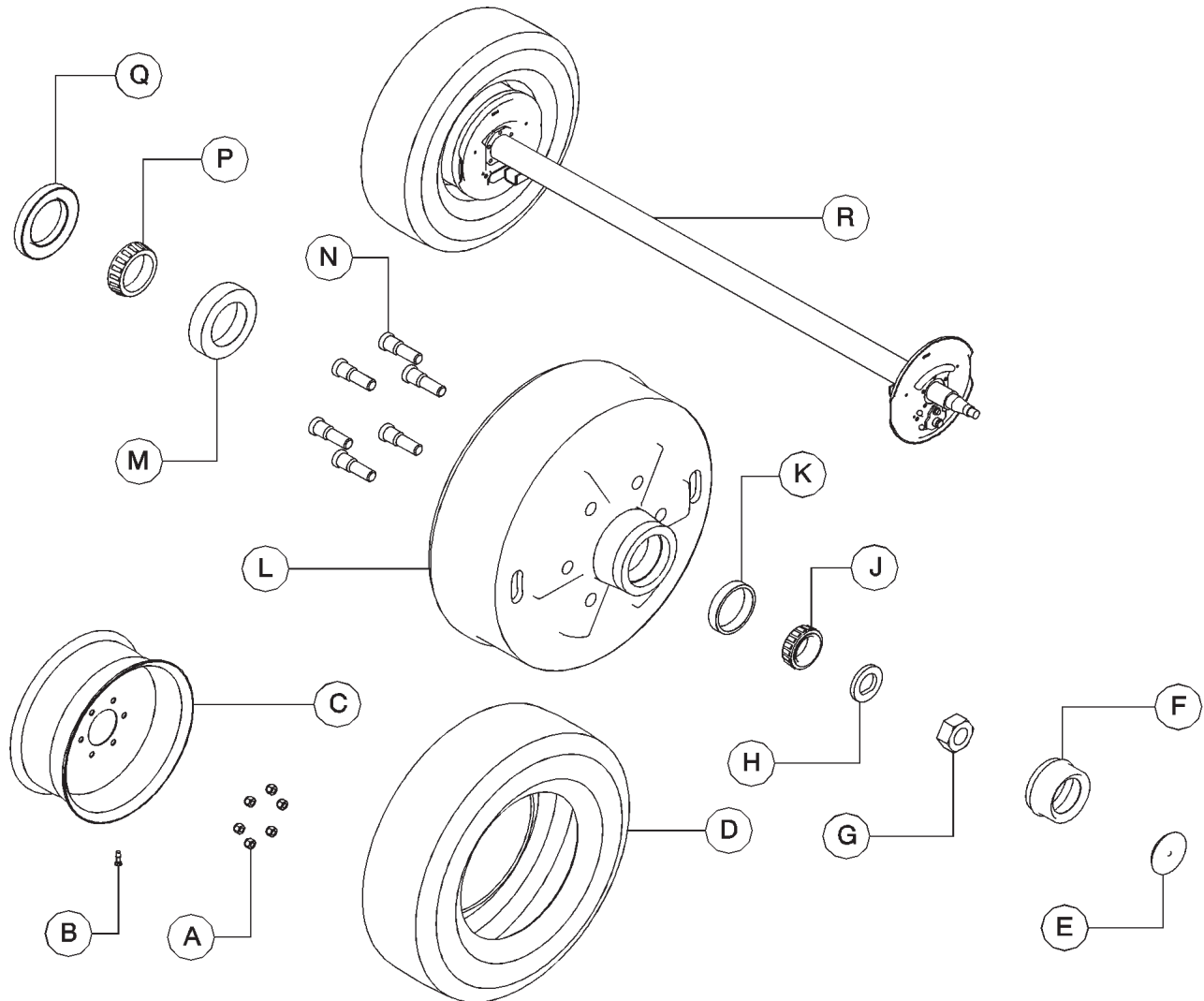
RUNNING GEAR cont'd



22826218\_cp04\_03/06\_A

ITEM	COMM. NO.	DESCRIPTION	QTY	DIMENSIONS/NOTES
N	35356930	Equalizer	2	
P	36895225	Hanger, Equalizer	2	
Q	22278196	Spacer, Equalizer	2	
R	35326966	Hanger, Rear	2	
S	22193015	Axle with Electrical Brake	2	
	22161343	Axle Hydraulic Front	1	
	22161350	Axle Hydraulic Rear	1	
T	35315258	NutHex 1/2-20	16	
U	35316959	U-Bolt, 1/2-20	8	
V	95928321	Washer, Flat	2	
W	36875508	Electrical Brake Harness	1	
X	35375427	Terminal, Snap	8	

## HUB and AXLE

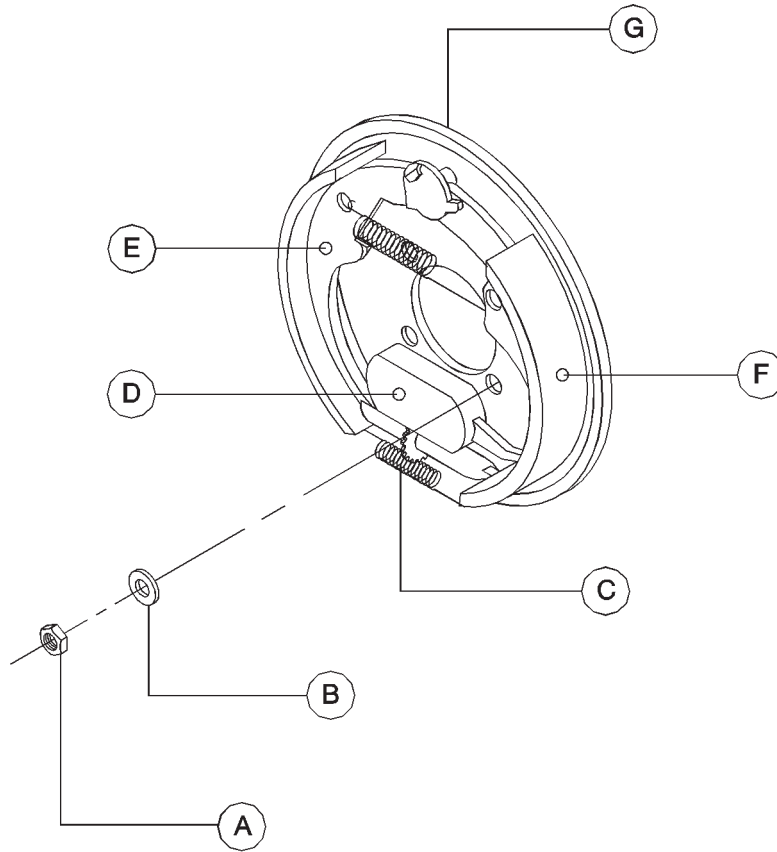


22826218\_cp05\_03/06\_A

ITEM	COMM. NO.	DESCRIPTION	QTY	DIMENSIONS/NOTES
A	35315274	Nut, Lug	24	
B	35282565	Stem, Valve	4	
C	35318757	Wheel	4	
D	22253041	Tire	4	
E	35379387	Cover, Rubber	4	
F	35379395	Cover, Dust Cap	4	
G	35315217	Nut, Spindle	4	
H	35315209	Washer, Spindle	4	
J	35318849	Cone, Outer Wheel Bearing	4	
K	35318831	Cup, Outer Bearing	4	
L	35390459	Drum, Brake	4	
M	35316884	Cup, Inner Bearing	4	
N	35361898	Stud, Hub	24	
P	35316876	Cone, Inner Wheel Bearing	4	
Q	35316868	Seal, Hub	4	
R	22346126	Beam, Axle	2	



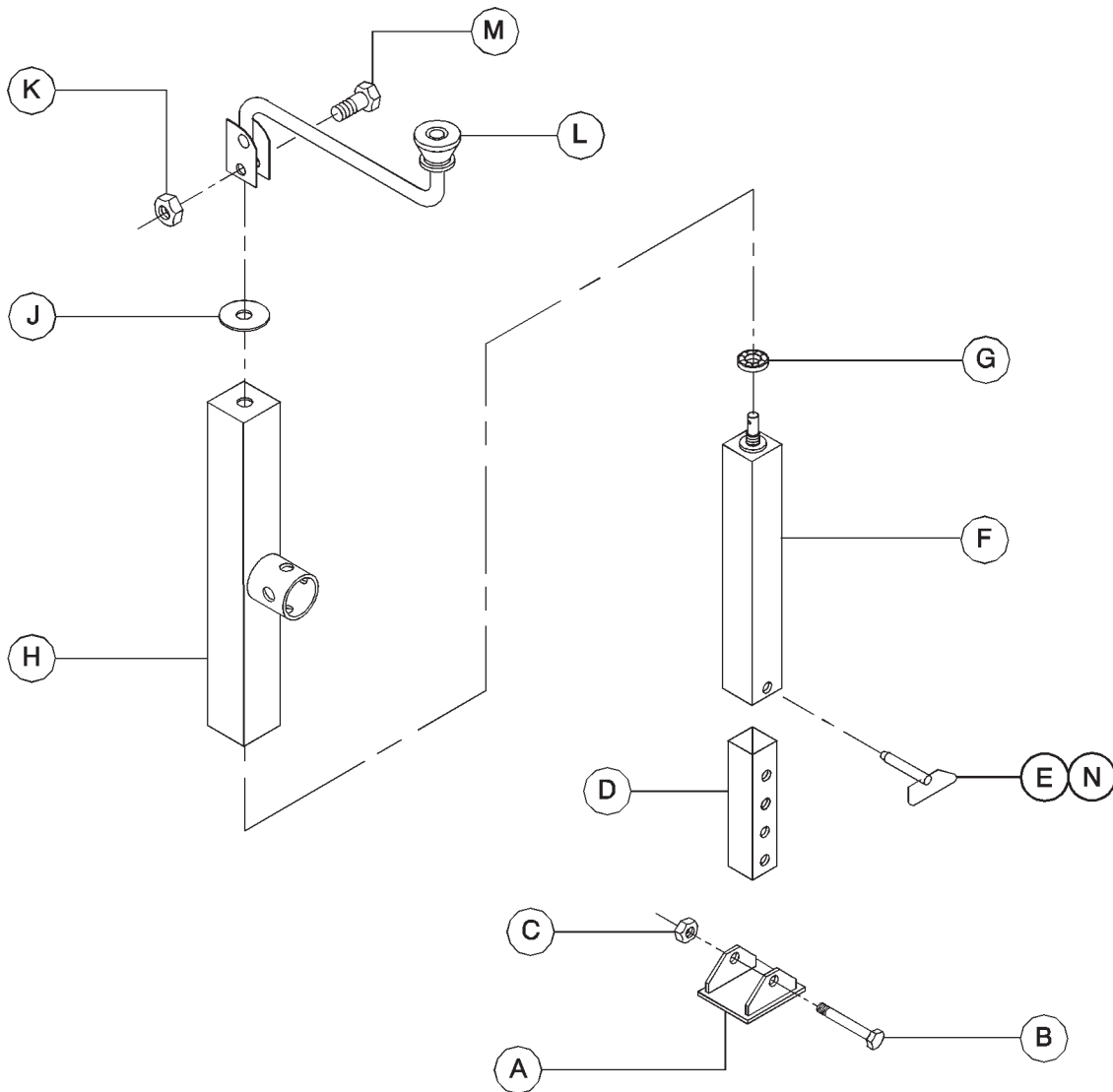
## ELECTRIC BRAKE PAD ASSEMBLY



22826218\_cp06\_03/06\_A

ITEM	COMM. NO.	DESCRIPTION	QTY	DIMENSIONS/NOTES
A	35356872	Nut	10	
B	35356864	Washer	10	
C	35393727	Kit, Adjusting Screw and Spring	2	
D	36895811	Kit, Magnet	2	
E	36895829	Kit, Left Actuating Lever	1	
	36895837	Kit, Right Actuating Lever	1	
F	36895803	Kit, Shoe and Lining	2	
G	35393859	Plate, Left Backing, Assembly	1	
	35393867	Plate, Right Backing, Assembly	1	
	35390814	Complete Left Brake Assembly	1	
	35390822	Complete Right Brake Assembly	1	

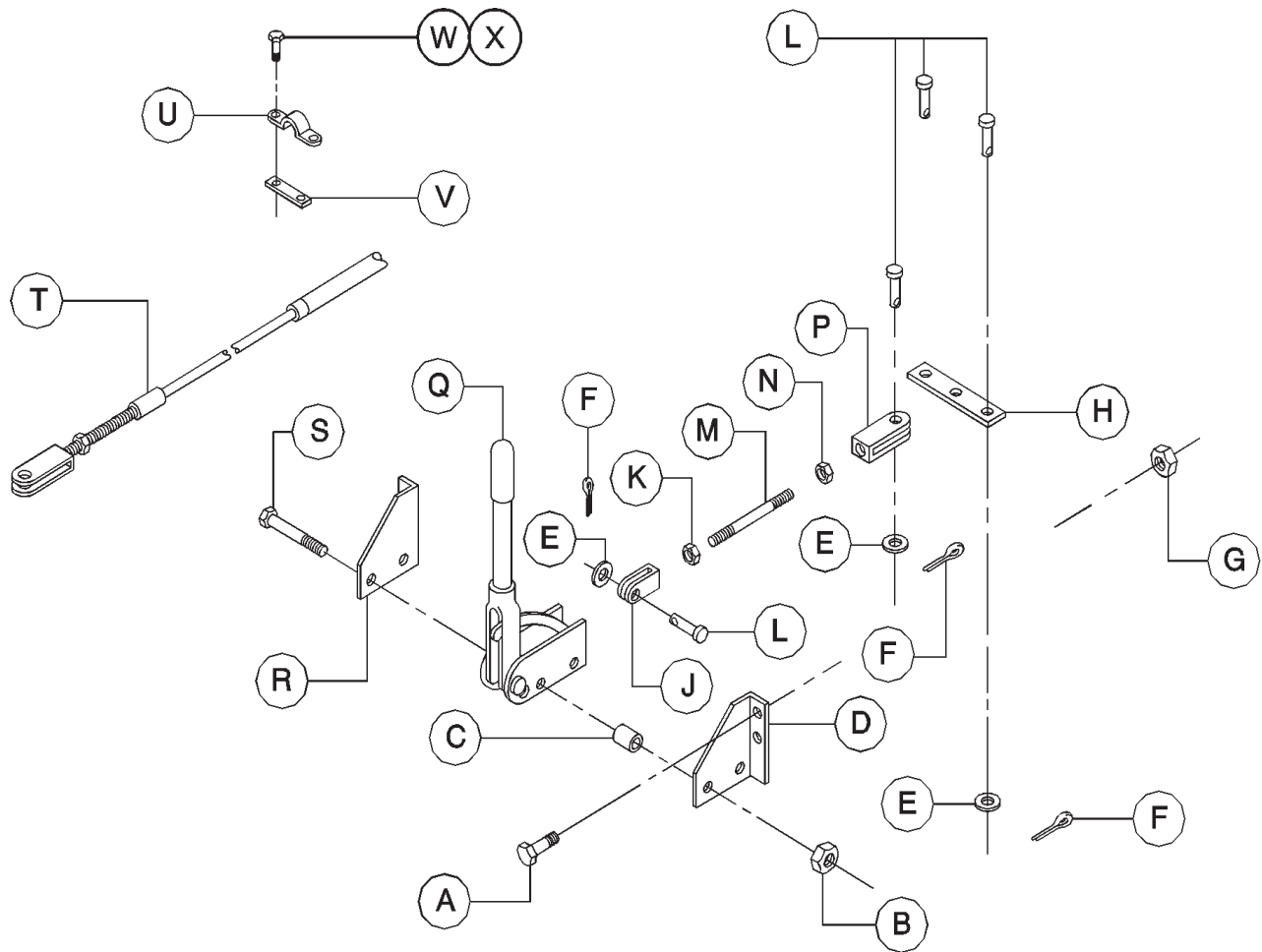
## DRAWBAR JACK ASSEMBLY



22826218\_cp07\_03/06\_A

ITEM	COMM. NO.	DESCRIPTION	QTY	DIMENSIONS/NOTES
A	36870145	Base, Jack	1	
B	95954087	Screw, Hex 9/16-18 x 3.50"	1	
C	35336700	Nut, Torq 9/16-18	1	
D	36870087	Drop Leg and Sleeve	1	
E	36870095	Pin, Pull	1	
F	36870053	Tube, Inner	1	
G	36870079	Bearing, Thrust	1	
H	36870129	Tube, Outer	1	
J	95935011	Washer, Flat	1	
K	95923314	Nut, Lock 5/16-18	1	
L	36870061	Crank Assembly	1	
M	95935235	Screw, Hex 5/16-18 x 1.50"	1	
N	36870103	Clip, Pull Pin	1	

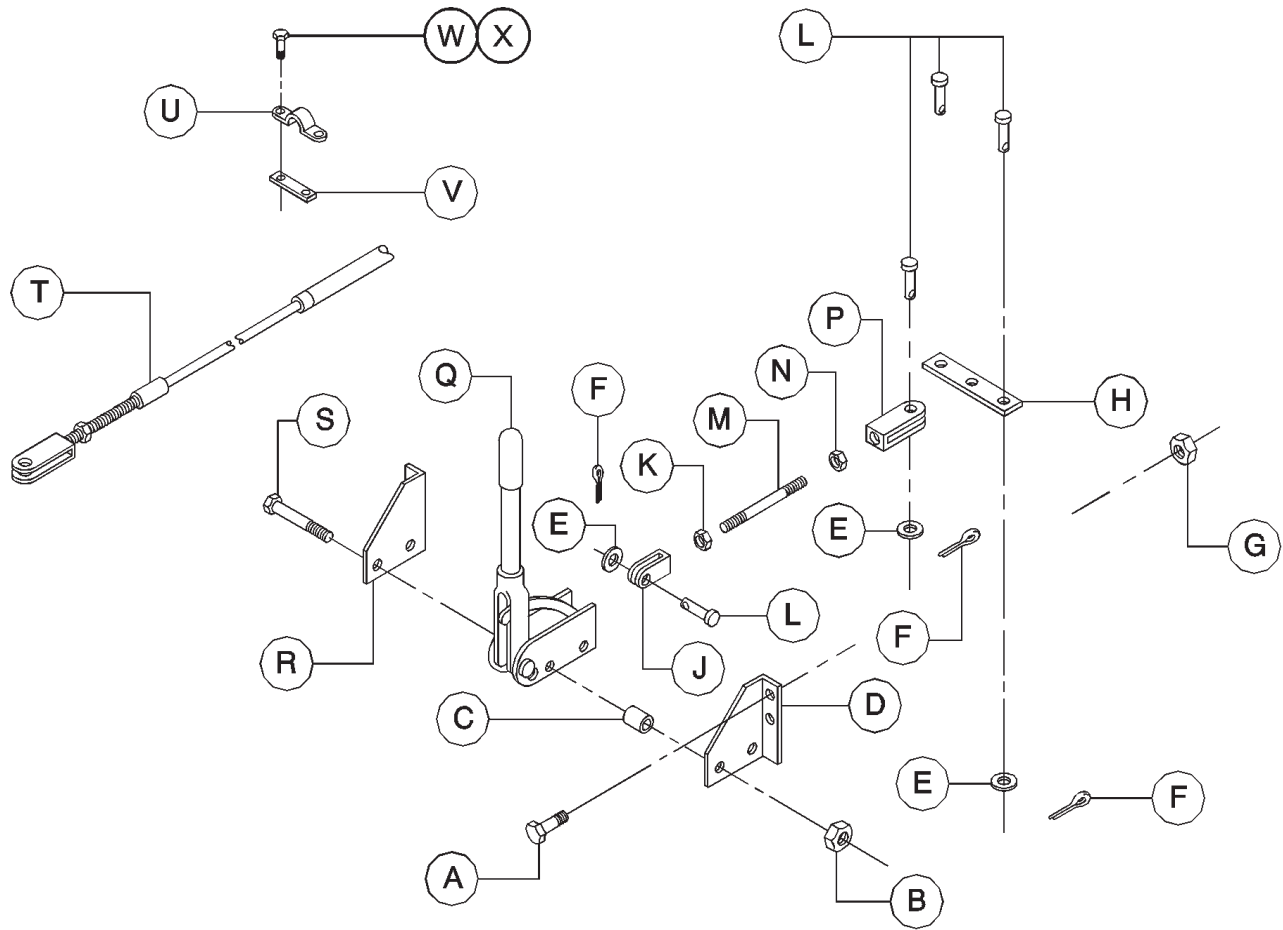
## PARKING BRAKE ASSEMBLY



22826218\_cp08\_03/06\_A

ITEM	COMM. NO.	DESCRIPTION	QTY	DIMENSIONS/NOTES
A	96702311	Screw, Hex M12-1.75 x 30	4	
B	36879195	Nut, Hex Flange M10-1.5	2	
C	35603224	Spacer	2	
D	36847440	Bracket, Left	1	
E	95934998	Washer	4	
F	95928867	Pin, Cotter	4	
G	96701743	Nut, Hex M12-1.75	4	
H	35602846	Bracket, Equalizer	1	
J	35603216	Clevis	1	
K	95935086	Nut, Hex 5/16-24	1	
L	35357151	Pin	4	
M	35603182	Rod, Link	1	

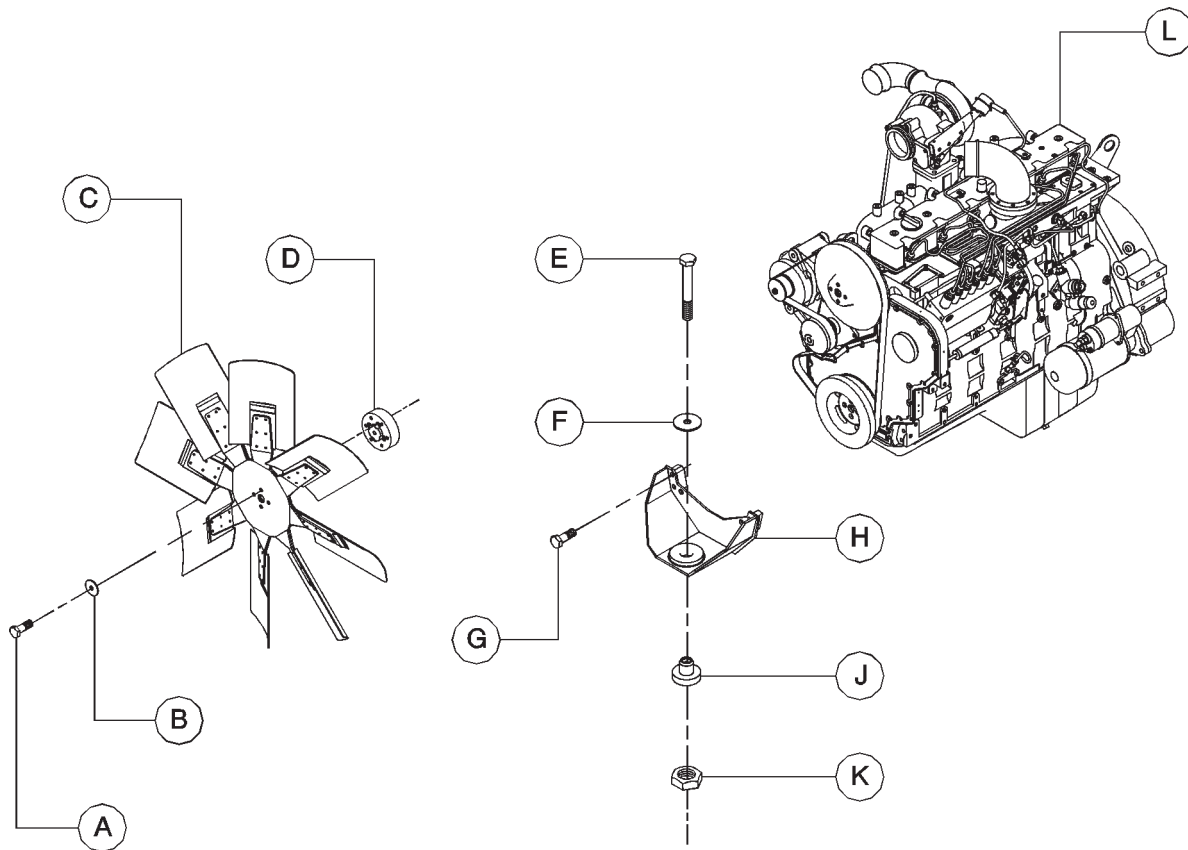
PARKING BRAKE ASSEMBLY cont'd



22826218\_cp08\_03/06\_A

ITEM	COMM. NO.	DESCRIPTION	QTY	DIMENSIONS/NOTES
N	35118728	Nut, Hex 5/16-24 LH	1	
P	35603208	Clevis	1	
Q	35857382	Lever, Parking Brake	1	
R	36847432	Bracket, Right	1	
S	35376946	Screw, Hex M10-1.5 X 70	2	
T	36880698	Cable, Electric Brake	2	53"
	35857408	Cable, Hydraulic Brake	2	63.5"
U	35602895	Clamp	2	
V	35602903	Spacer	2	
W	35271162	Screw, Hex M08-1.25 x 30	4	
X	36895746	Nutsert, Hex M08	4	

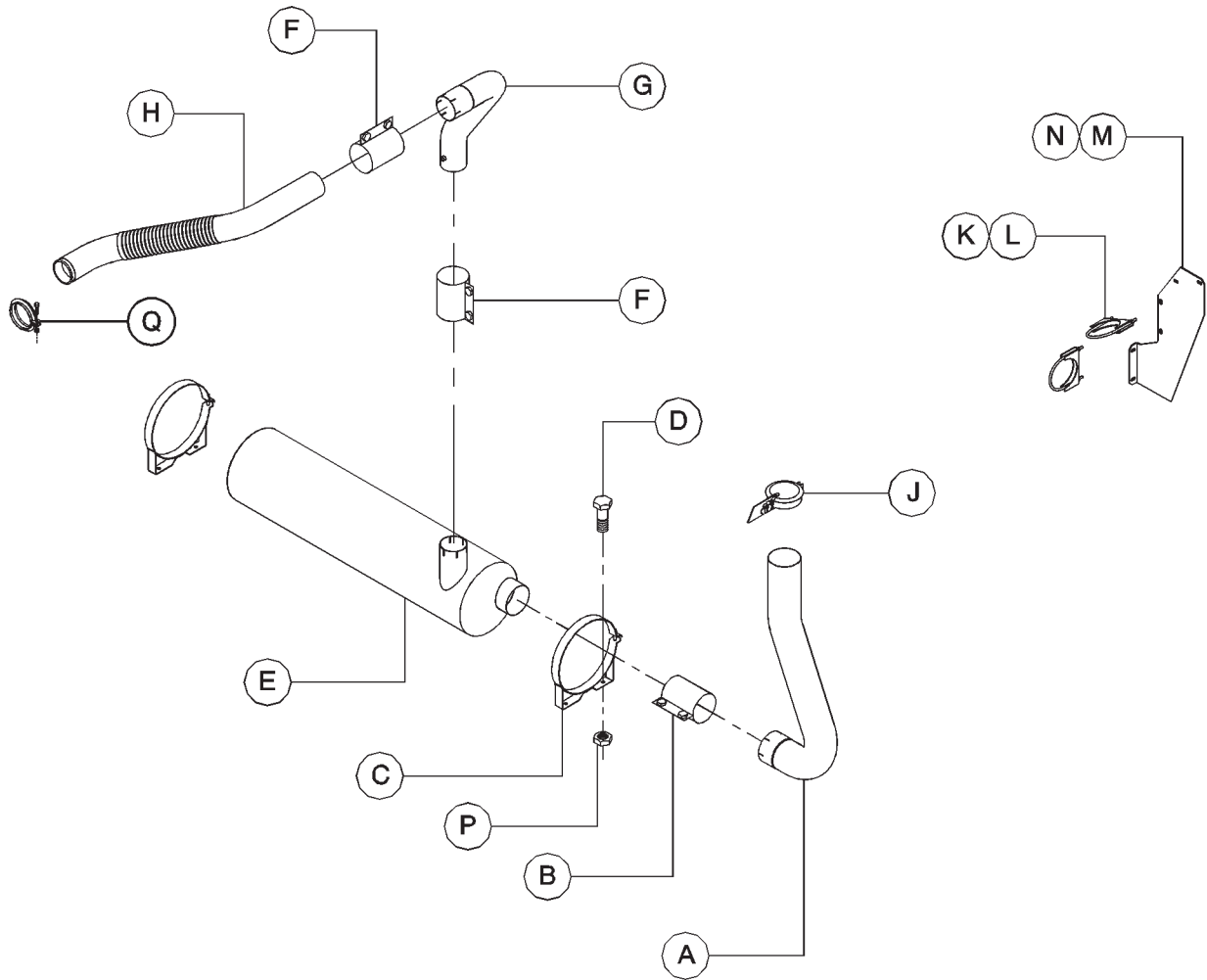
## ENGINE FAN and MOUNT



22826218\_cp09\_03/06\_A

ITEM	COMM. NO.	DESCRIPTION	QTY	DIMENSIONS/NOTES
A	96710488	Screw, Hex M10-1.50 x 80	4	
B	95935037	Washer, Flat	4	
C	22170138	Fan Assembly	1	
D	22426522	Spacer, Fan	1	
E	95934253	Screw, Hex 3/4-10 x 4.0"	1	
F	35273937	Washer, Snubber	1	
G	36776128	Screw, Hex M12-1.75 x 60	4	
H	22452155	Bracket, Engine	1	
J	35302835	Mount, Rubber	1	
K	95923363	Nut, Nyloc 3/4-10	1	
L	22615058	Engine	1	HP675, XP750
	22615041	Engine	1	XP825, HP750
	22177737	Engine Oil Filter	AR	
	22765325	Engine Fuel Filter	AR	
	22345748	Engine Water Filter	AR	
	22345755	Starter Motor	AR	
	22765333	Engine Belt	AR	
	22616965	Alternator	AR	
	22637904	Engine Fuel/Water Filter	AR	

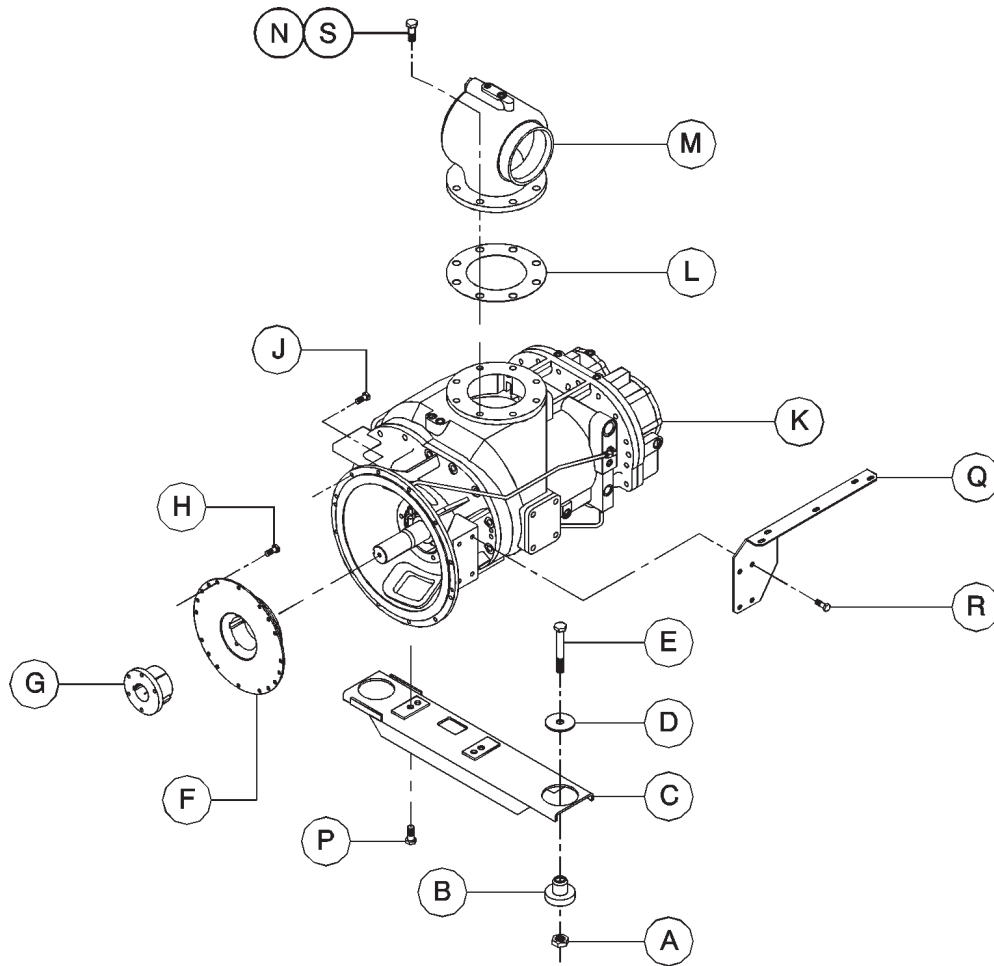
## EXHAUST COMPLETE



22826218\_cp10\_03/06\_A

ITEM	COMM. NO.	DESCRIPTION	QTY	DIMENSIONS/NOTES
A	22288849	Pipe, Exhaust	1	
B	35307131	Clamp, Seal	1	
C	36866929	Clamp, Mounting	2	
D	36889608	Screw, Hex Flange M08 - 1.25 X 25	4	
E	36866911	Muffler	1	
F	35313303	Clamp, Seal	2	
G	22208474	Pipe, Exhaust	1	
H	22207120	Pipe, Turbo	1	
J	35857036	Cap, Rain	1	
K	35127653	Clamp	2	
L	95935037	Washer (on Clamps)	4	
M	22289995	Support, Exhaust	1	
N	35279025	Screw, Tapping M08 - 1.25 X 20	2	
P	36881886	Nut, Hex Flange M08 - 1.25	4	
Q	22765341	Clamp, V-Band	1	

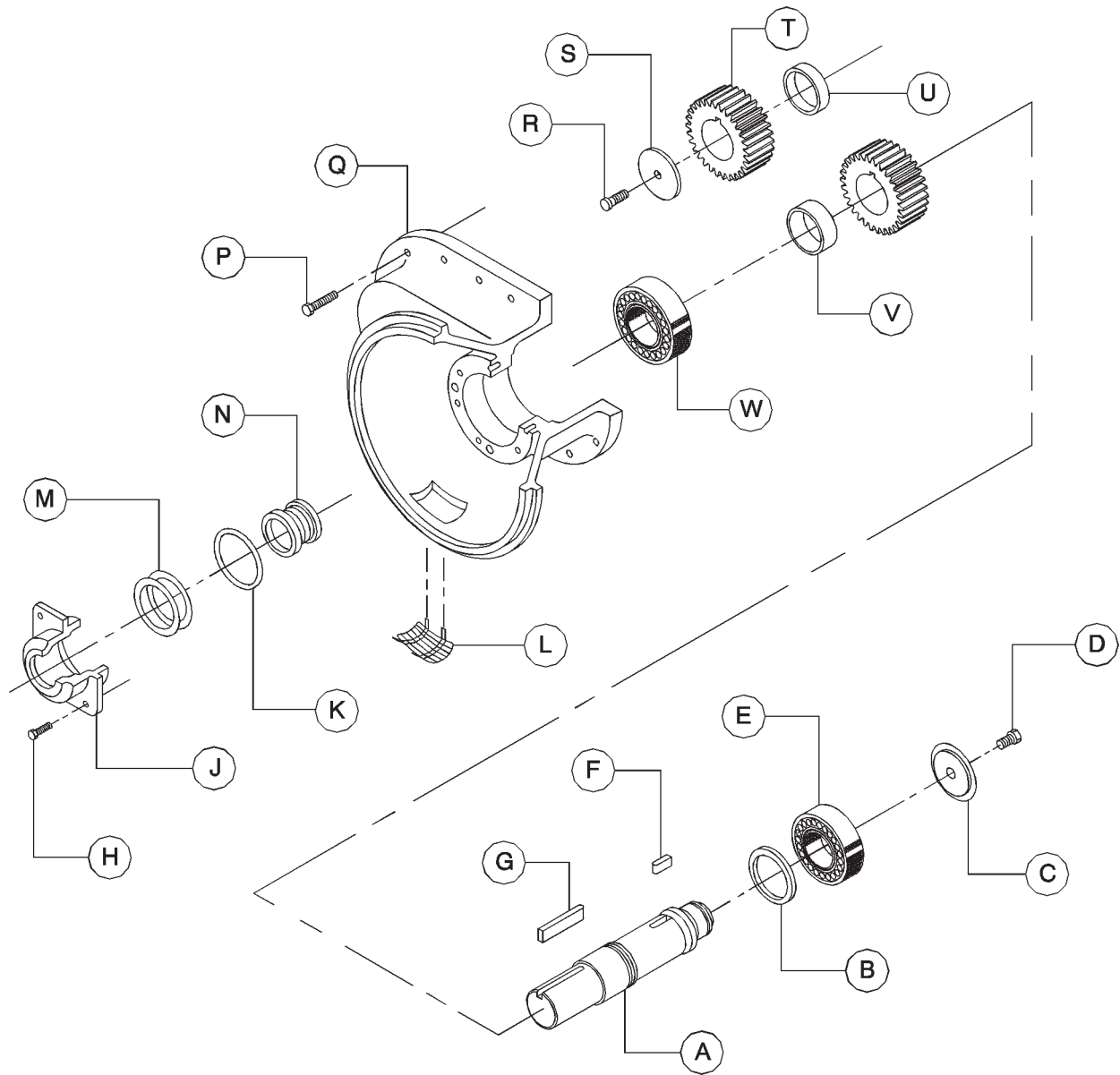
## AIR END COMPLETE



22826218\_cp11\_03/06\_A

ITEM	COMM. NO.	DESCRIPTION	QTY	DIMENSIONS/NOTES
A	95923363	Nut, Nyloc 3/4-10	2	
B	35302835	Mount, Rubber	2	
C	22177703	Bracket, Air End Mounting	1	
D	35273937	Washer, Snubber	2	
E	95934253	Screw, Hex 3/4-10 x 4.0"	2	
F	35834795	Coupling, Air End/Engine	1	
G	35103852	Bushing, Coupling	1	
H	95220604	Screw, Hex Socket Cap 3/8-16 x .75"	8	
J	96701917	Screw, Hex M10 - 1.50 X 30	12	
K	42437566	Air End Assembly (HP-675)	1	
	42437574	Air End Assembly (HP-750 & XP-750)	1	
	42437582	Air End Assembly (XP-825)	1	
L	36786572	Gasket, Unloader	1	
M	36734515	Unloader Assembly	1	
N	35272558	Screw, Hex M20 - 2.50 X 45	6	
P	35358274	Screw, Hex Socket Cap M16-2.0 x 25	4	
Q	22283758	Support, Wire Routing	1	
R	96701495	Screw, Hex M12 - 1.75 X 25	4	
S	96700901	Screw, Hex M20 - 2.50 X 40	2	

## GEAR CASE HOUSING ASSEMBLY

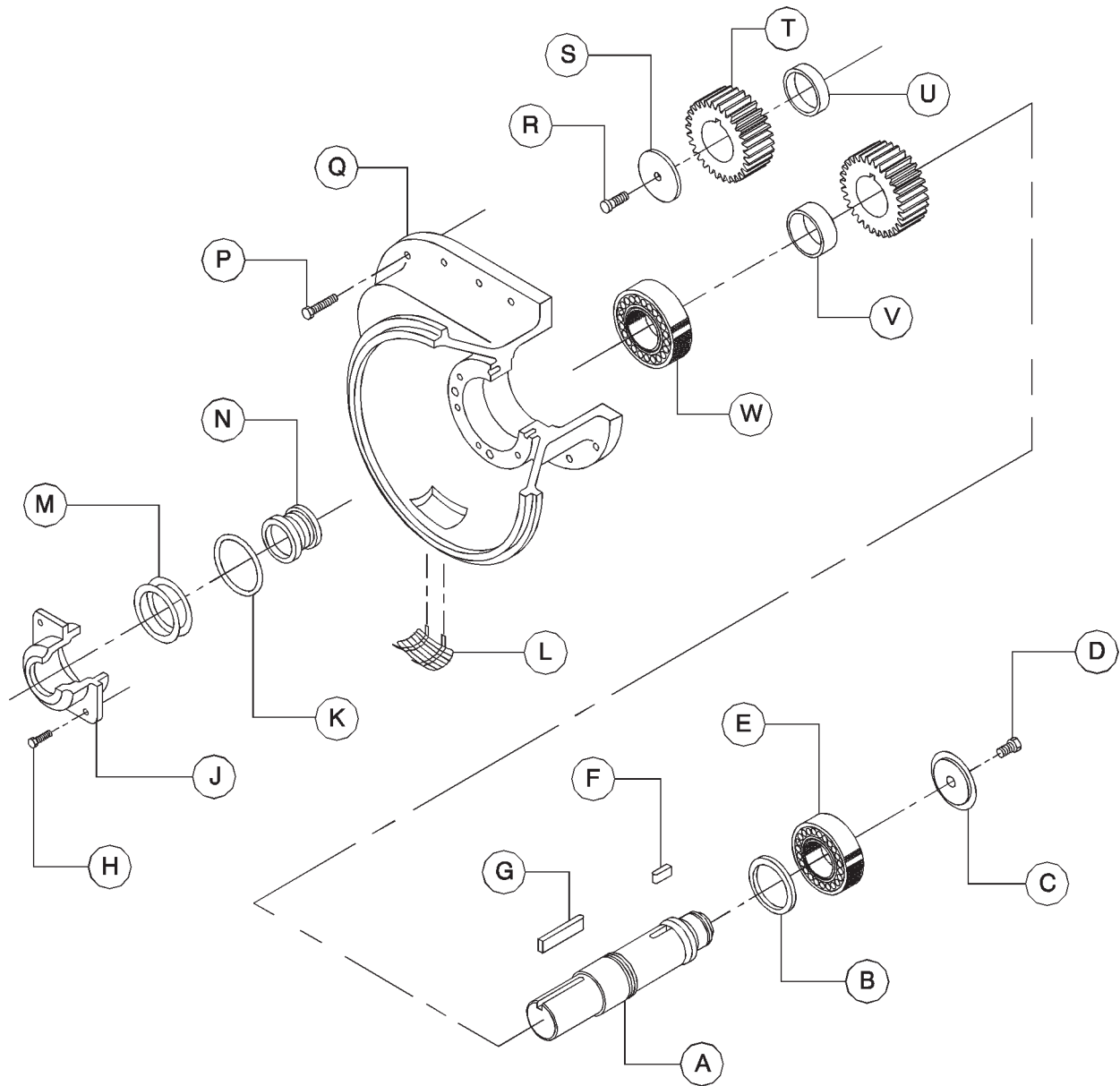


22826218\_cp12\_03/06\_A

ITEM	COMM. NO.	DESCRIPTION	QTY	DIMENSIONS/NOTES
A	36846400	Shaft, Drive	1	
B	36851681	Spacer	1	
C	36764785	Cap, Shaft Guide	1	
D	35336304	Screw, Low Head Hex Soc Cap M10 - 1.50 X 25	1	
E	36854925	Bearing, Inboard	1	
F	35361328	Key	1	
G	35364975	Key, Coupling	1	
H	96712187	Screw, Hex M12 - 1.75 X 30	6	
J	36507515	Cover, Seal	1	
K	95358164	O-Ring	1	
L	36798346	Guard, Bottom	1	
	36798361	Guard, Top	1	



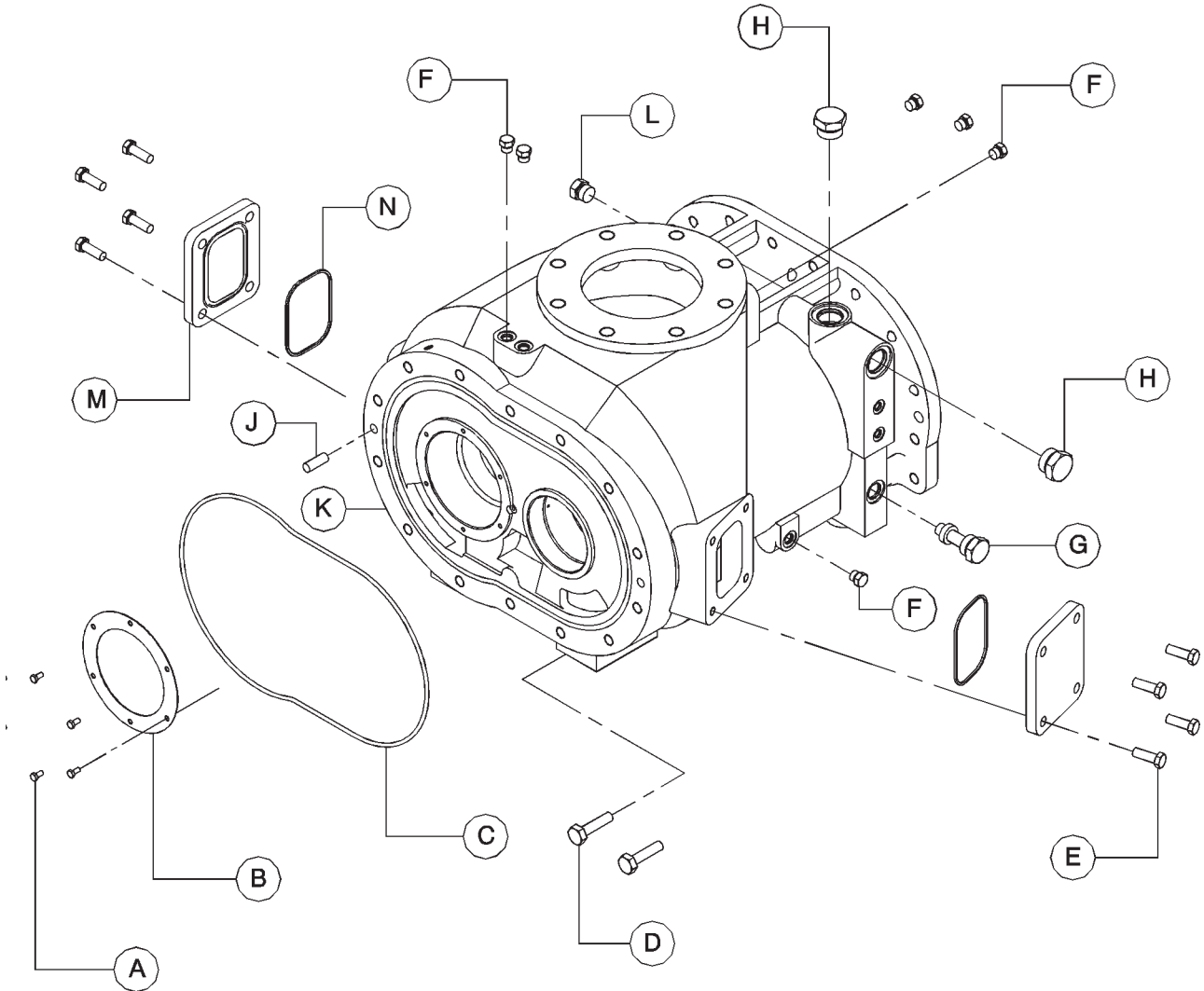
## GEAR CASE HOUSING ASSEMBLY cont'd



22826218\_cp12\_03/06\_A

ITEM	COMM. NO.	DESCRIPTION	QTY	DIMENSIONS/NOTES
M	36846442	Set, Shim	1	
N	35593508	Seal, Shaft	1	
P	96716162	Screw, Hex M16 - 2.0 X 40	14	
Q	36851459	Housing, Gear Case	1	
R	96706254	Screw, Hex M16-2.0 X 35	1	
S	35255819	Plate, Clamp	1	
T	35298132	Gear Set (HP675)	1	
	35335363	Gear Set (HP 750, XP750)	1	
	35334853	Gear Set (XP825)	1	
U	39326483	Spacer	1	
V	36846418	Spacer	1	
W	36846426	Bearing, Outboard	1	

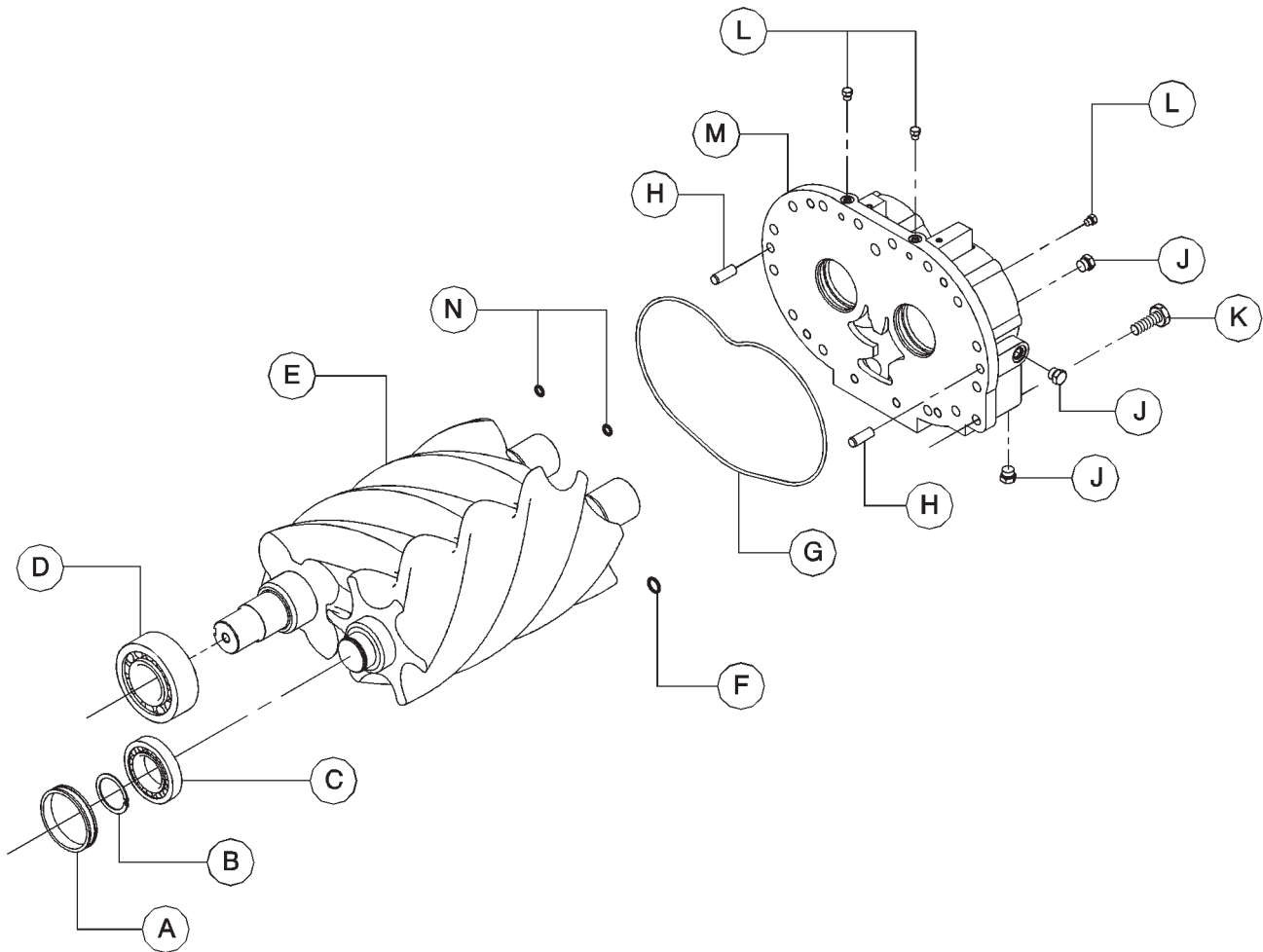
## ROTOR HOUSING ASSEMBLY



22826218\_cp13\_03/06\_A

ITEM	COMM. NO.	DESCRIPTION	QTY	DIMENSIONS/NOTES
A	96716105	Screw, Hex M06 - 1.0 X 12	6	
B	39326749	Plate, Retainer	1	
C	39253992	O-Ring	1	
D	35279009	Screw, Hex M16 - 2.0 X 55	2	
E	96712179	Screw, Hex M12 - 1.75 X 35	8	
F	95938205	Plug, Hex 9/16-18	6	
G	39330626	Orifice, Injection 14 MM	1	
H	95939856	Plug, Hex 1.31-12	2	
J	95239927	Pin, Dowel	2	
K	22124317	Housing, Rotor	1	
L	95938221	Plug, Hex 7/8-14	1	
M	22219687	Plate, Cover	2	
N	95023073	O-Ring	2	

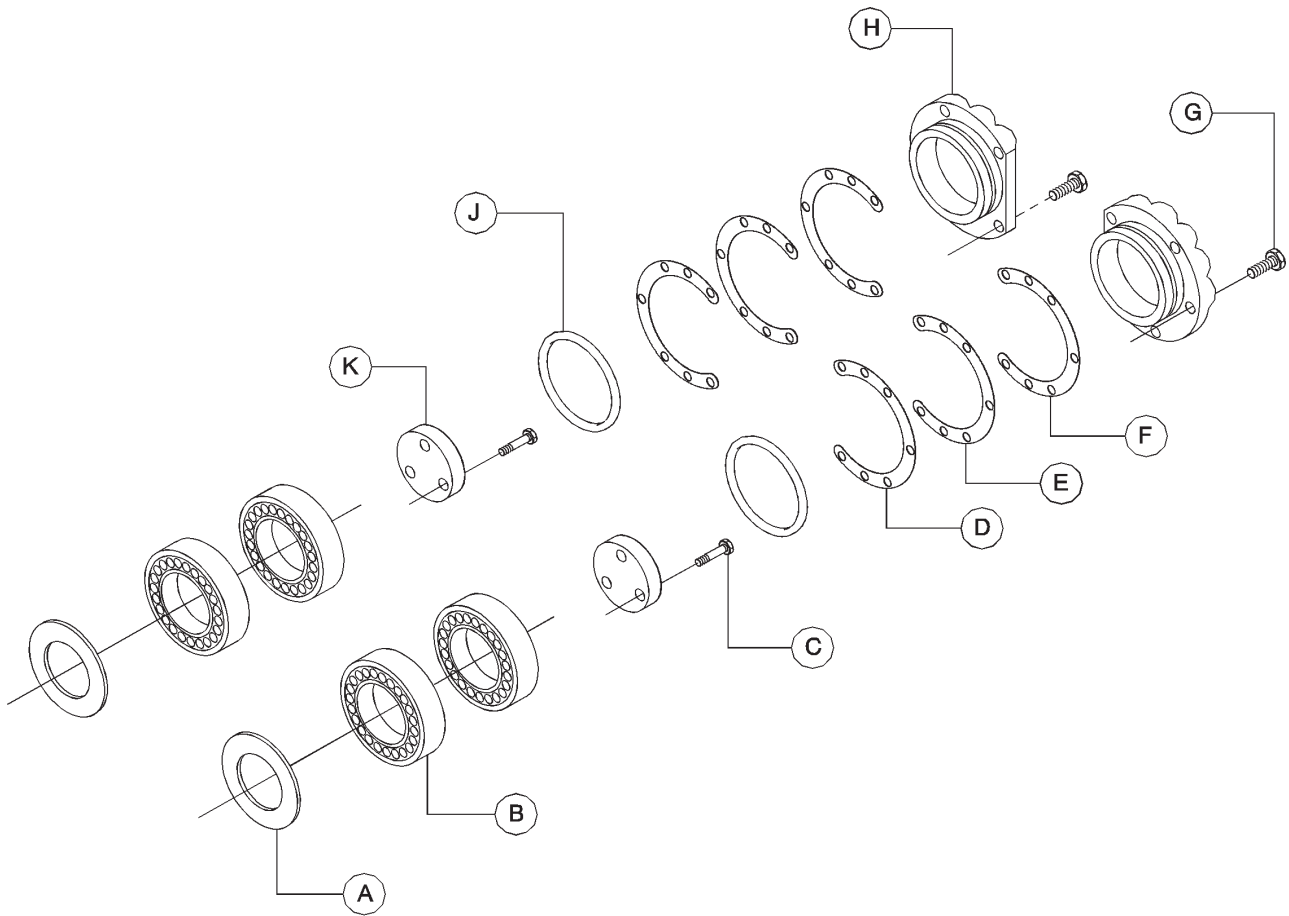
## REAR BEARING HOUSING



22826218\_cp14\_03/06\_A

ITEM	COMM. NO.	DESCRIPTION	QTY	DIMENSIONS/NOTES
A	35262963	Spacer	1	
B	95096806	Ring, Snap	1	
C	35313568	Bearing, Female Rotor	1	
D	39322706	Bearing Male Rotor	1	
E	36005031	Set, Rotor	1	
F	95022141	O-Ring	1	
G	39253984	O-Ring	1	
H	35295336	Pin, Dowel	1	
J	95938213	Plug	3	
K	96706262	Screw	14	M16 - 2.0 X 45
L	95938965	Plug	3	
M	39890553	Housing, Rear Bearing	1	
N	95656260	O-Ring	2	

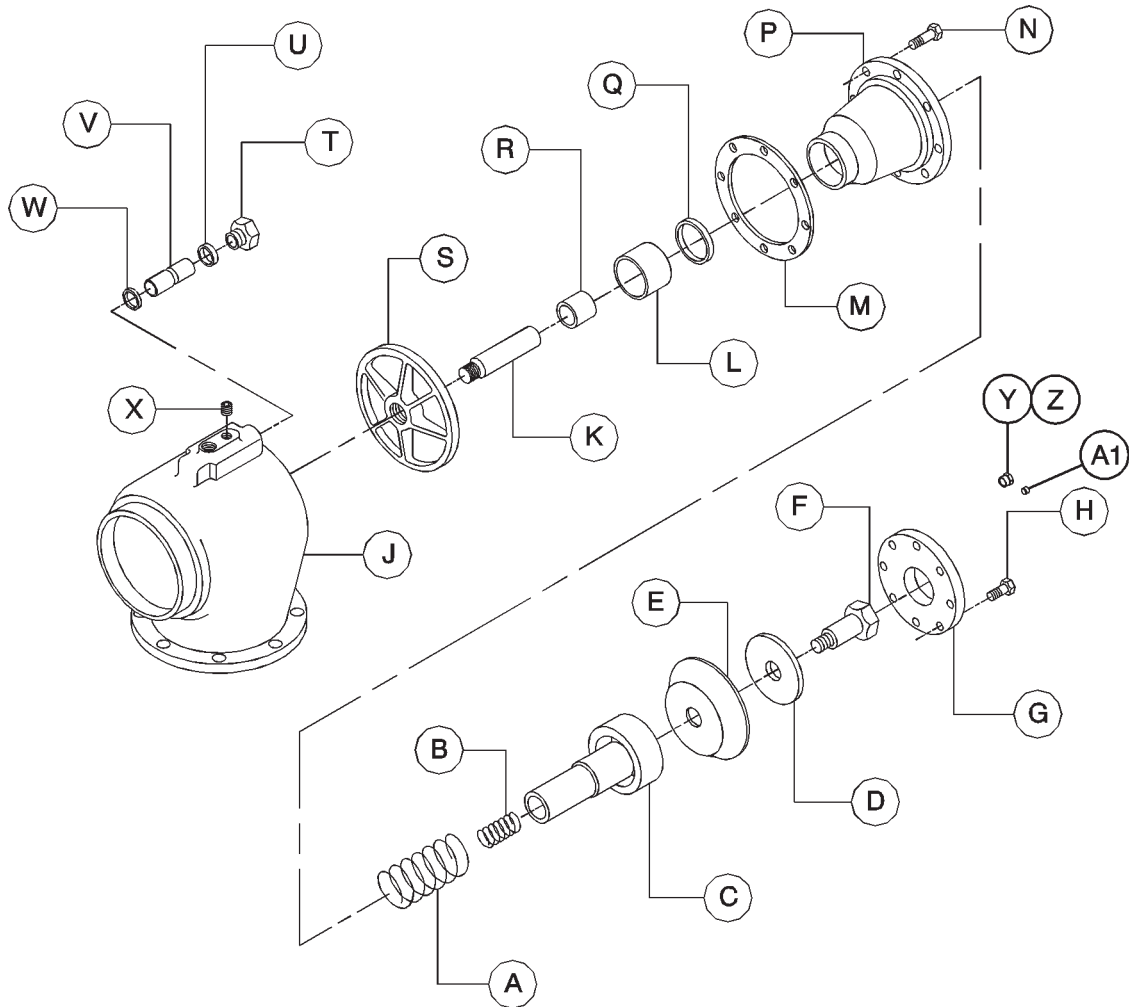
## REAR BEARING COVER



22826218\_cp15\_03/06\_A

ITEM	COMM. NO.	DESCRIPTION	QTY	DIMENSIONS/NOTES
A	35299361	Shim Set	2	
B	39437686	Bearing, Taper Roller	4	
C	96705983	Screw, Hex M10 - 1.50 X 35	6	
D	39326780	Shim, Rear Bearing .0254 mm	4	
E	39326798	Shim, Rear Bearing .0762 mm	6	
F	39326806	Shim, Rear Bearing .2540 mm	4	
G	96712179	Screw, Hex M12 - 1.75 X 35	10	
H	39891486	Cover, Rear Bearing	2	
J	95023388	O-Ring	2	
K	39436977	Retainer, Bearing	2	

## UNLOADER ASSEMBLY

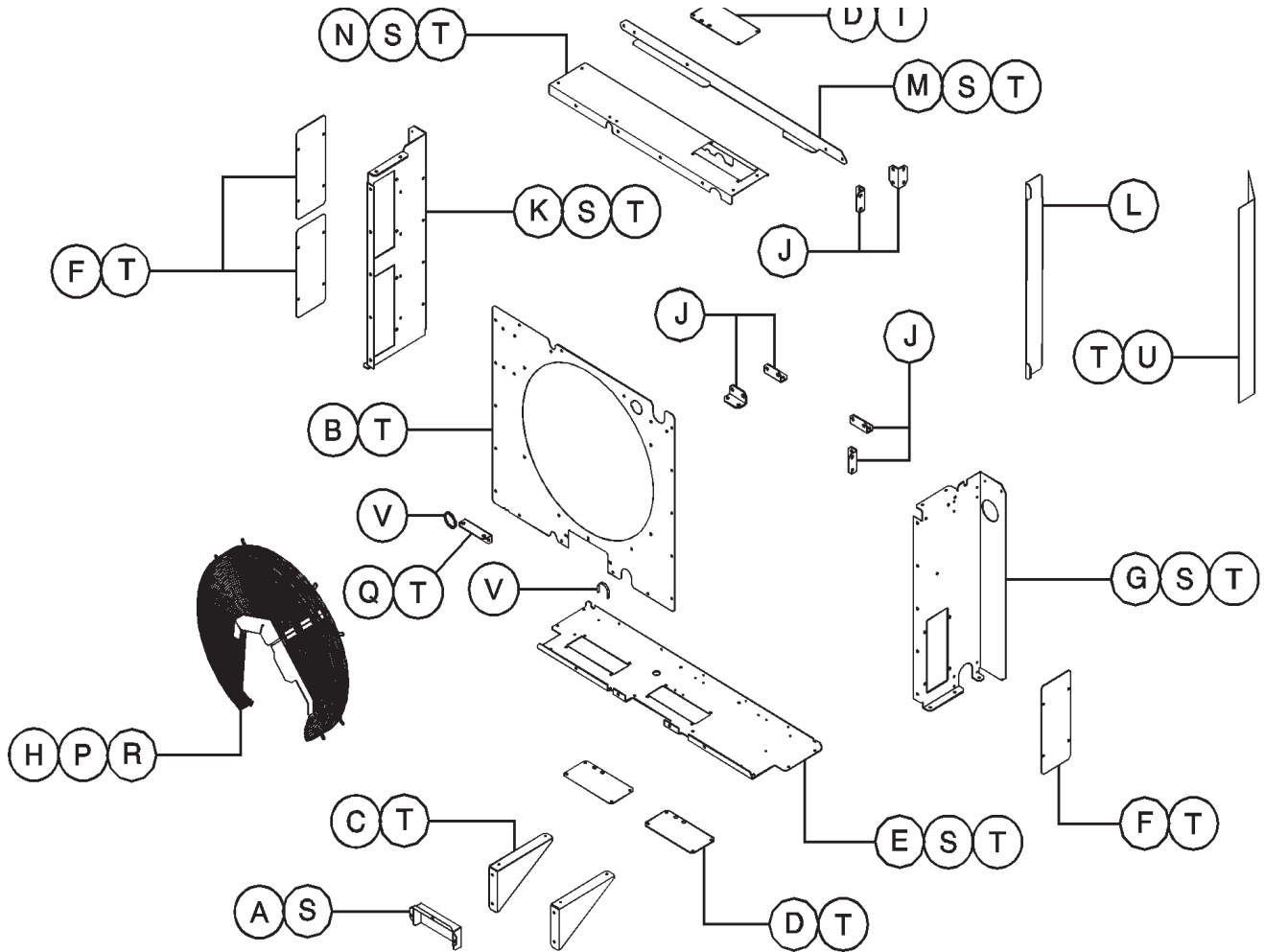


22826218\_cp16\_03/06\_A

ITEM	COMM. NO.	DESCRIPTION	QTY	DIMENSIONS/NOTES
A	35332691	Spring, Piston	1	
B	35332683	Spring, Valve	1	
C	35591163	Piston, Unloader	1	
D	35327204	Washer, Piston	1	
E	35592534	Diaphragm, Unloader	1	
F	95934642	Screw, Hex 1/2-13 x 1.0"	1	
G	35591189	Cover, Piston	1	
H	96702659	Screw, Hex M08-1.25 X 25	8	
J	36734507	Body, Unloader	1	
K	35332006	Stem, Valve	1	
L	35328228	Bushing	1	
M	35328251	Gasket	1	
N	96702287	Screw, Hex M10 - 1.50 X 25	12	



## COOLER MOUNTING



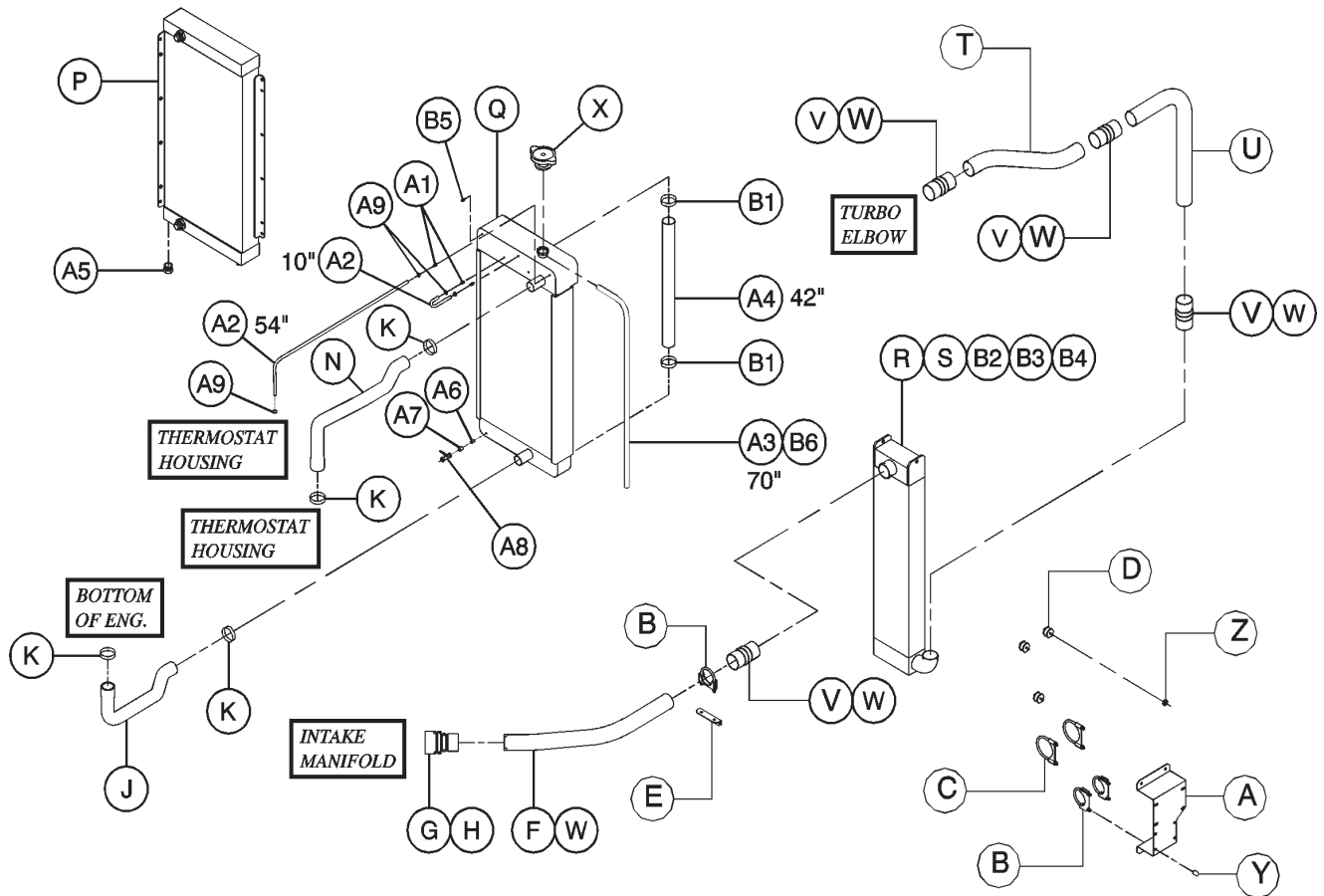
22826218\_cp17\_03/06\_A

ITEM	COMM. NO.	DESCRIPTION	QTY	DIMENSIONS/NOTES
A	22302889	Baffle, Fan	1	
B	22228753	Shroud, Fan	1	
C	22228852	Support, Cooler	2	
D	22303465	Plate, Cover	3	
E	22186779	Support, Bottom Cooler	1	
F	22228860	Plate, Cover	3	
G	22202485	Support, Charge Air Cooler	1	
H	22660880	Guard, Fan	1	
J	22203608	Brace, Cooler	6	
K	22202477	Support, Oil Cooler	1	





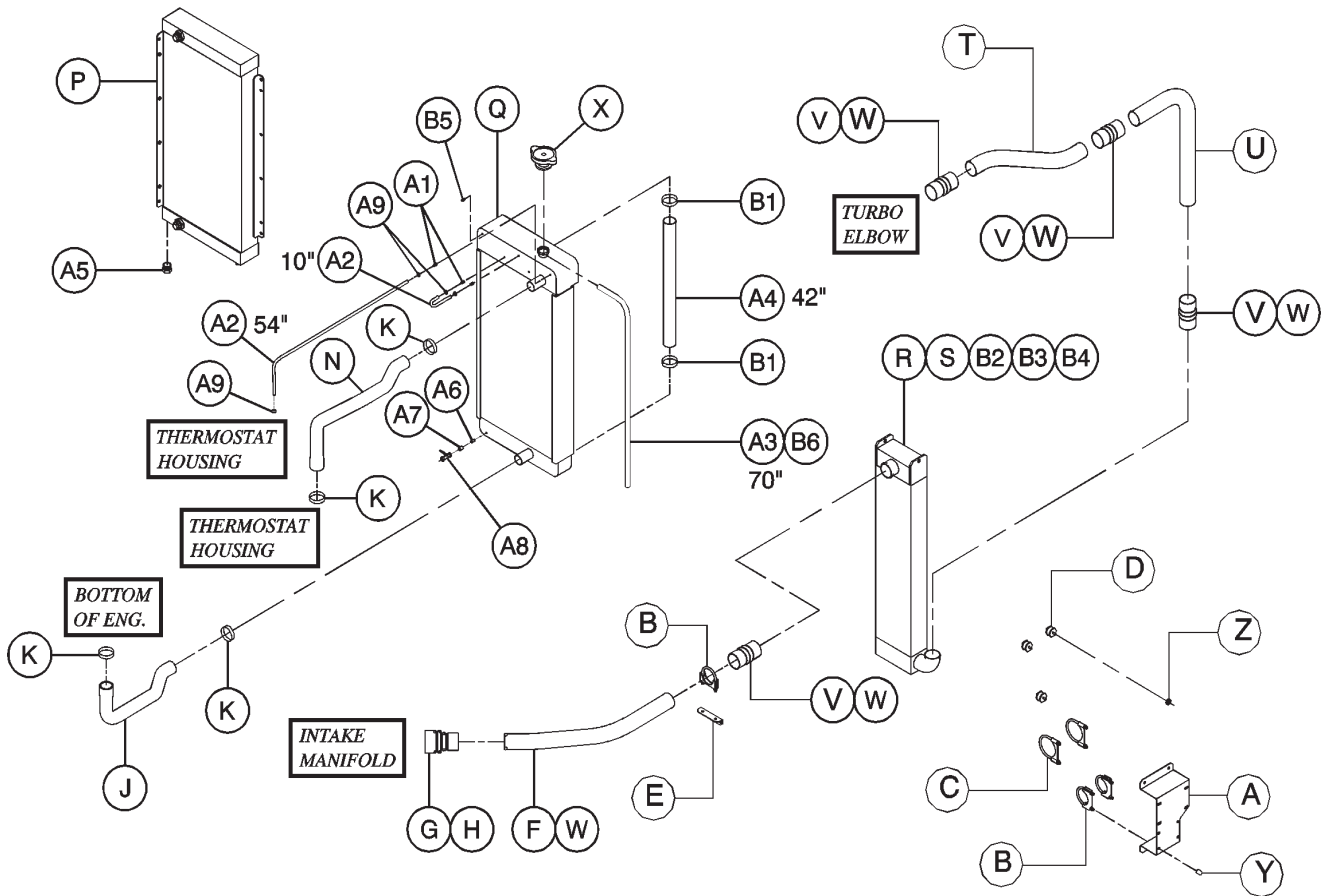
## COOLER PIPING



22826218\_cp18\_03/06\_A

ITEM	COMM. NO.	DESCRIPTION	QTY	DIMENSIONS/NOTES
A	22207237	Bracket, Engine Exhaust	1	
B	35113646	Clamp, Saddle	3	
C	35111731	Clamp, 4" Muffler	2	
D	92276096	Isolator, Exhaust Rubber	3	
E	22303333	Support	1	
F	22621700	Tube, Charge Air Out	1	
G	22058564	Reducer, Rubber	1	
H	54444427	Clamp, Spring Loaded	1	
J	22724603	Hose, Lower Radiator	1	
K	35222017	Clamp, Hose	4	
L	35287556	O-Ring	1	
M	35279025	Screw, Tapping M08 - 1.25 X 20	12	
N	22724579	Hose, Top Radiator	1	
P	22155592	Cooler, Oil	1	

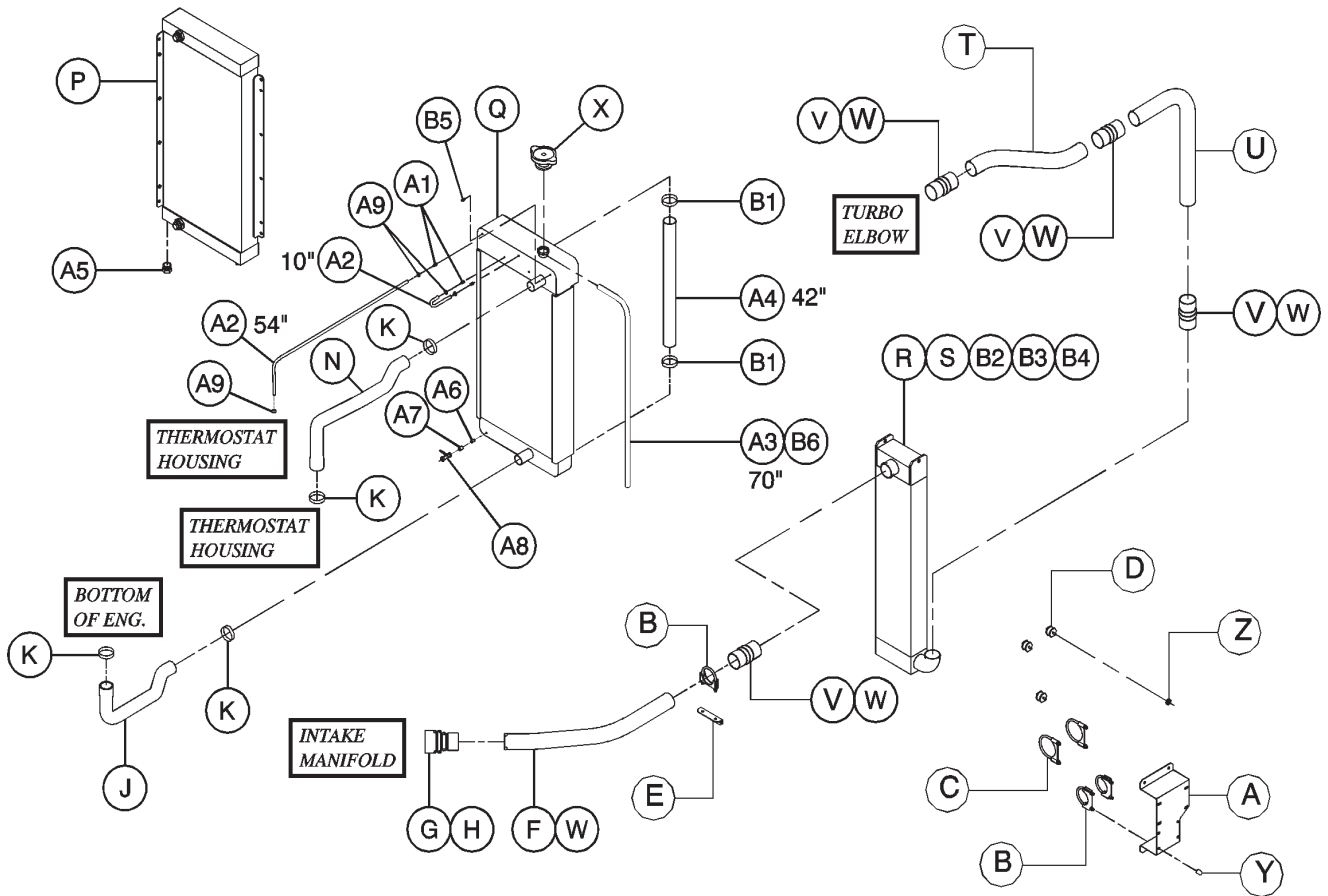
## COOLER PIPING cont'd



22826218\_cp18\_03/06\_A

ITEM	COMM. NO.	DESCRIPTION	QTY	DIMENSIONS/NOTES
Q	22697585	Radiator	1	
R	22155337	Cooler, Charge Air	1	
S	36880995	Screw, Hex Flange M10-1.50 x 30	1	
T	22620736	Tube, Upper Charge Air	1	
U	22207153	Tube, Lower Charge Air	1	
V	22144497	Connector, Rubber	4	
W	22144513	Clamp, Spring Loaded	9	2 on Each End of Item V
X	22078190	Cap, Radiator	1	
Y	22367163	Protector, Thread	8	
Z	36881886	Nut, Hex Flange M08 - 1.25	3	
A1	35310598	Adapter, Barbed	3	
A2	35285600	Hose, 3/8 Fuel	~	See Length Above
A3	35363498	Hose, 5/16 Fuel	~	See Length Above

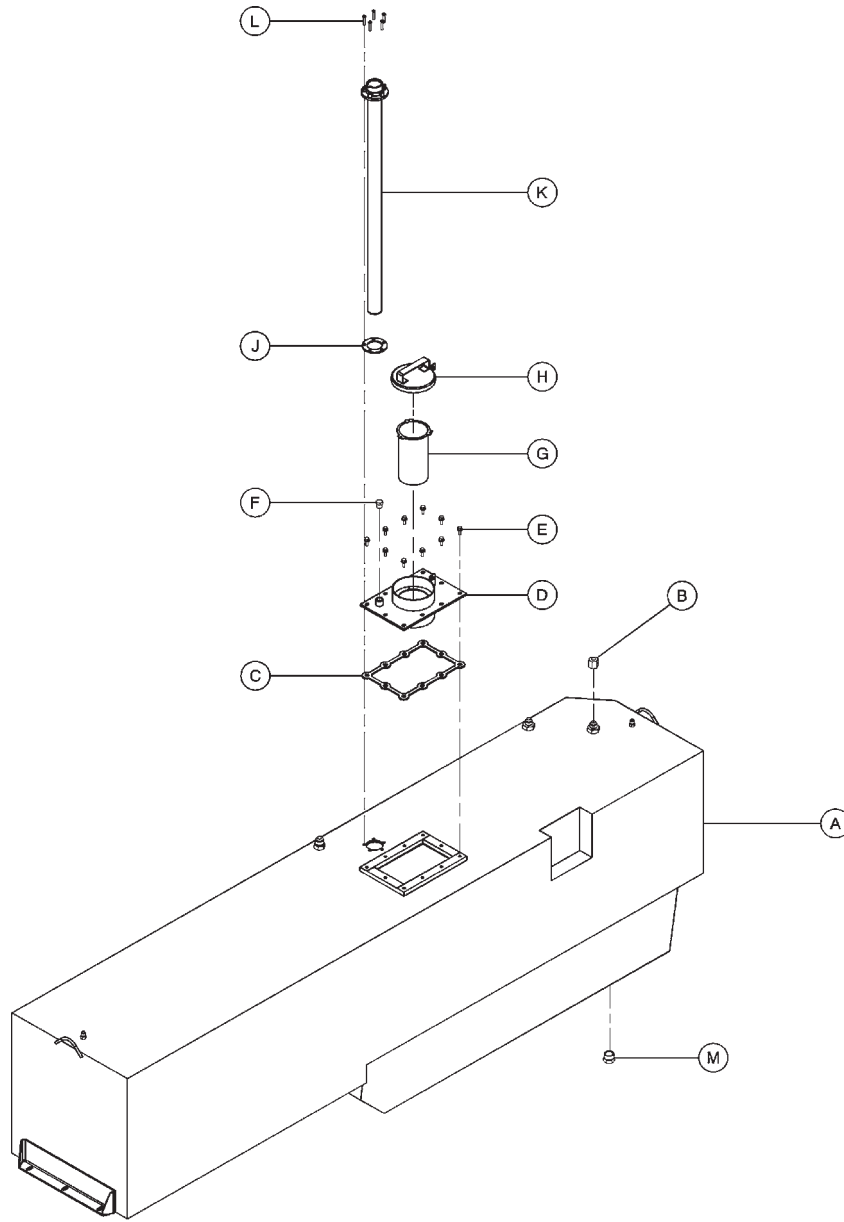
## COOLER PIPING cont'd



22826218\_cp18\_03/06\_A

ITEM	COMM. NO.	DESCRIPTION	QTY	DIMENSIONS/NOTES
A4	35286327	Hose, 3/4" ID	~	See Length Above
A5	35287556	Plug, Hex 9/16-18 w/ O-Ring	1	
A6	95944575	Nipple, Close 1/4 NPT x .88"	1	
A7	95952990	Coupling, 1/4 NPT x 1.125"	1	
A8	36782167	Valve, Bib	1	
A9	95264776	Clamp, Hose	4	
B1	95220851	Clamp, Hose	2	
B2	36879195	Nut, Hex M10-1.50	1	
B3	95935037	Washer, Flat	4	
B4	95935052	Washer, Flat	1	
B5	95928230	Plug, Hex Countersink 1/4 NPT	1	
B6	35222538	Clamp, Support 9/16"	2	

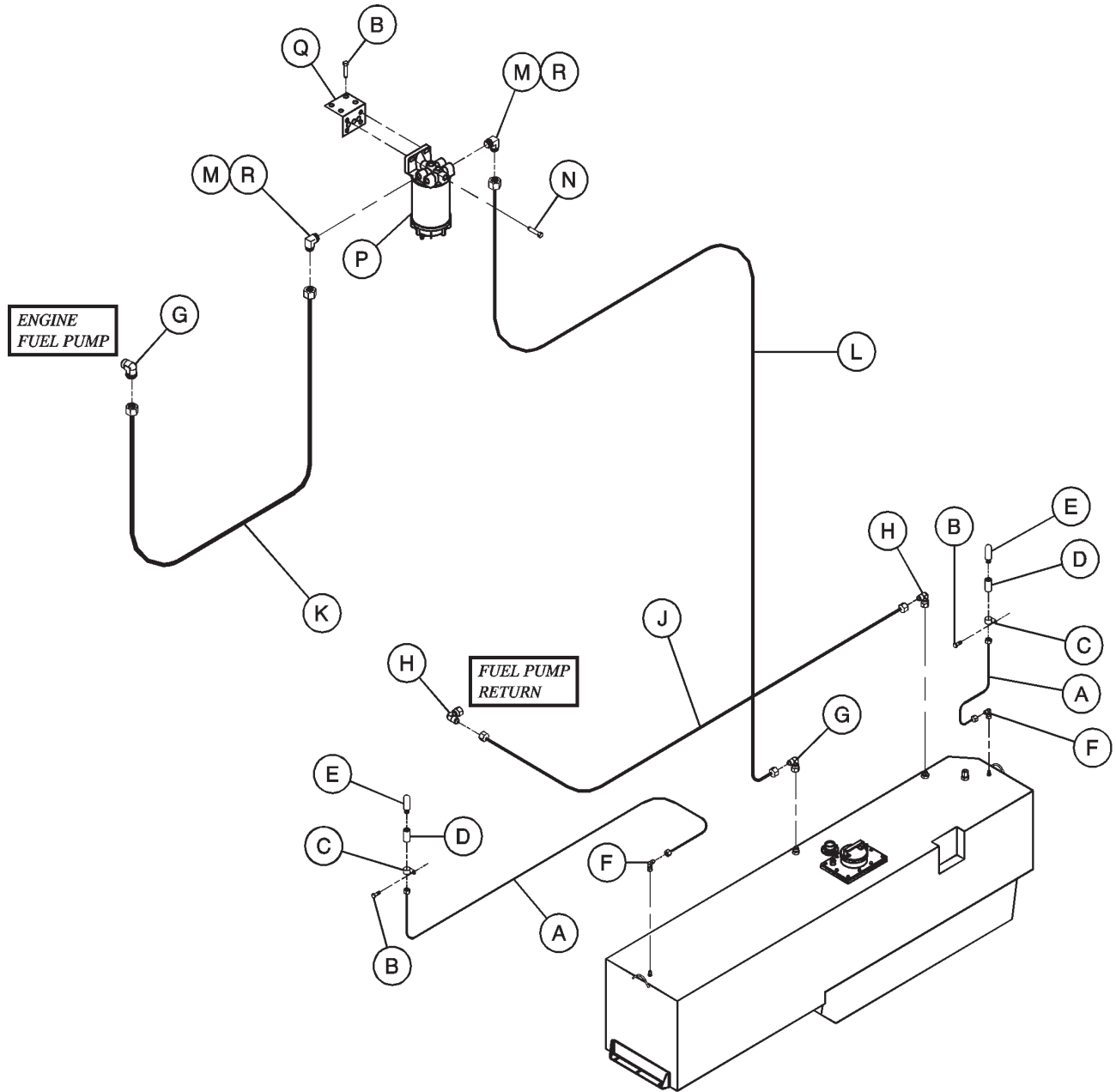
## FUEL TANK ASSEMBLY



22826218\_cp19\_03/06\_A

ITEM	COMM. NO.	DESCRIPTION	QTY	DIMENSIONS/NOTES
A	22645626	Tank, Fuel	1	
B	35313428	Cap, -8 JIC	1	
C	35389964	Gasket, Flange Fill	1	
D	35389972	Flange, Fill	1	
E	35144328	Screw	10	
F	95954038	Plug, Hex 1/4 NPT	1	
G	36845022	Strainer, Fuel	1	
H	36845014	Cap, Fuel	1	
J	35361849	Gasket, Fuel Sender	1	
K	22155451	Sender, Fuel	1	
L	36842102	Screw, Hex #10-32 x 1.0"	5	
M	95939856	Plug, 1-5/16-12 w/ O-Ring	1	

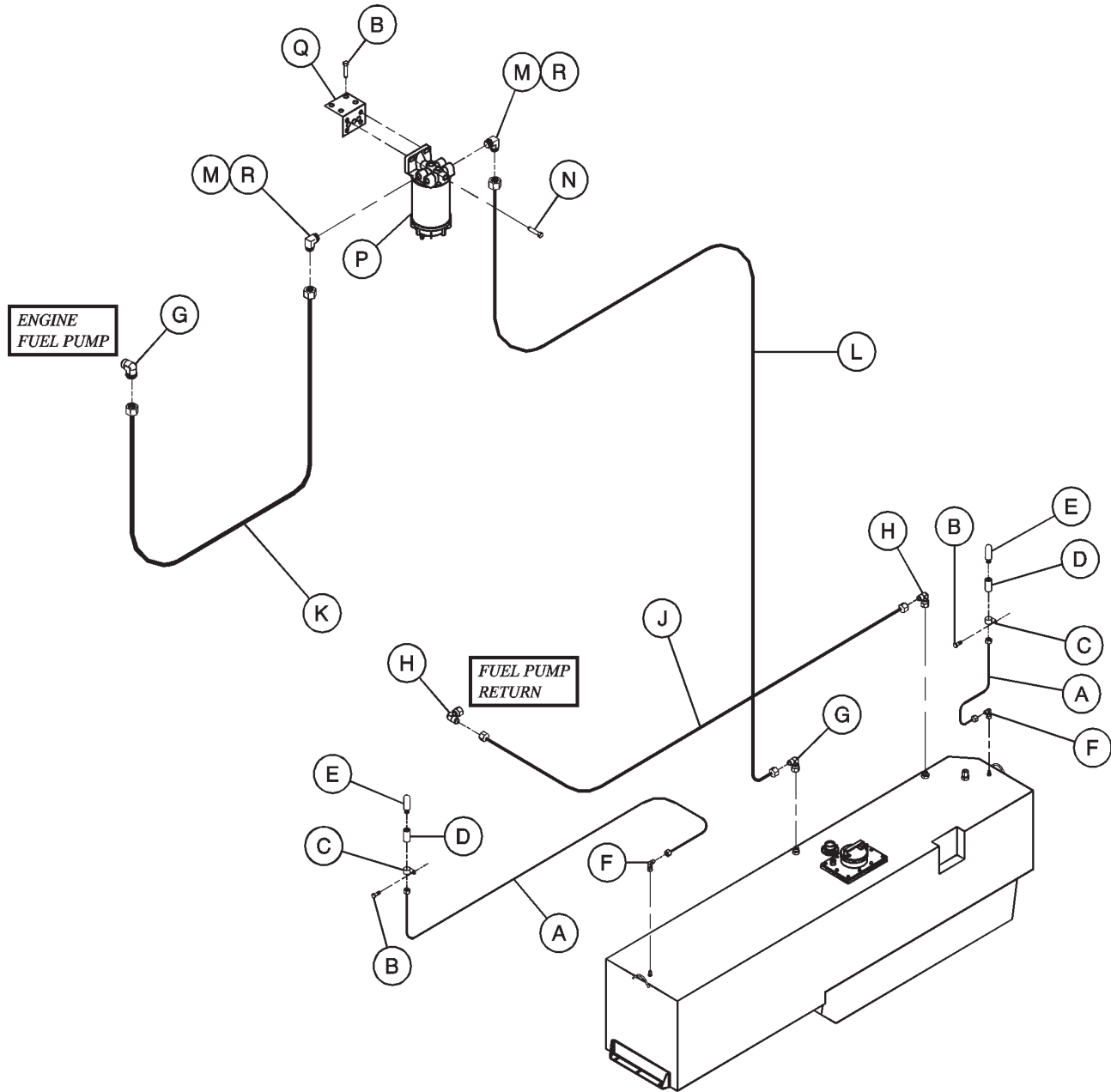
## FUEL TANK PIPING



22826218\_cp20\_03/06\_A

ITEM	COMM. NO.	DESCRIPTION	QTY	DIMENSIONS/NOTES
A	36844074	Vent Hose Assembly	2	
B	35279025	Screw, Tapping M08 - 1.25 X 20	3	
C	35222538	Clamp	2	
D	35287143	Connector	2	
E	35322395	Silencer	2	
F	35283068	Elbow, 90° Swivel Nut -6 JIC	2	
G	35305648	Elbow, 90° Swivel Nut -10 JIC	2	
H	35287911	Elbow, 90° Swivel Nut -8 JIC	2	

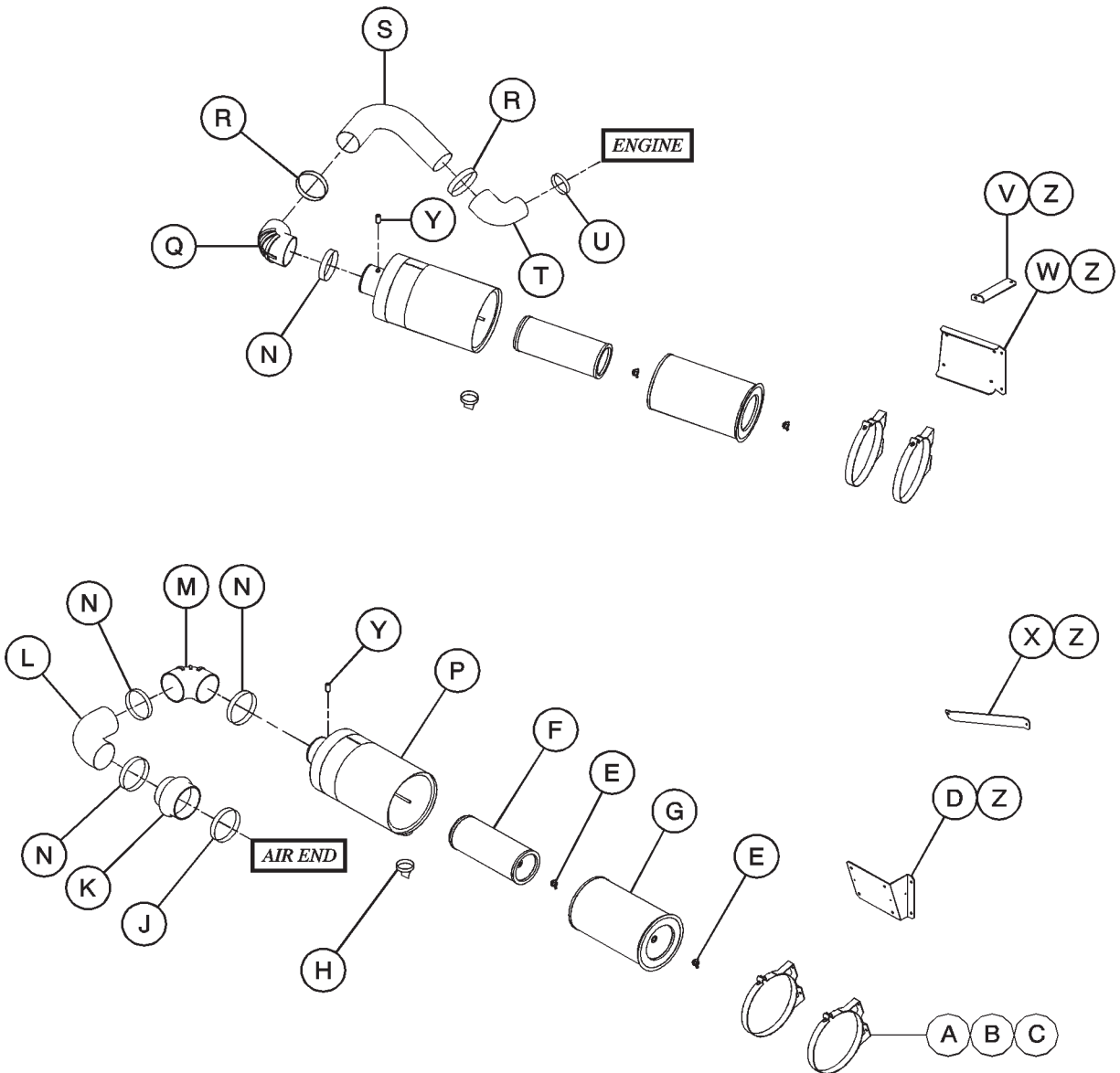
## FUEL TANK PIPING cont'd



22826218\_cp20\_03/06\_A

ITEM	COMM. NO.	DESCRIPTION	QTY	DIMENSIONS/NOTES
J	35307719	Hose, -8JIC x 48"	1	
K	35325083	Hose Assembly, -10 JIC x 34"	1	
L	22141790	Hose Assembly, -10 JIC x 16"	1	
M	35286491	Elbow, 90° 7/8-14 x -10 JIC w/ O-Ring	2	
N	36881704	Screw, Hex Flange 3/8-16 x 1.25"	4	
P	22637904	Element, Fuel/Water Separator Filter	1	
Q	22674212	Support, Fuel Filter	1	
R	35286533	O-Ring	AR	Incl. w/ Item M

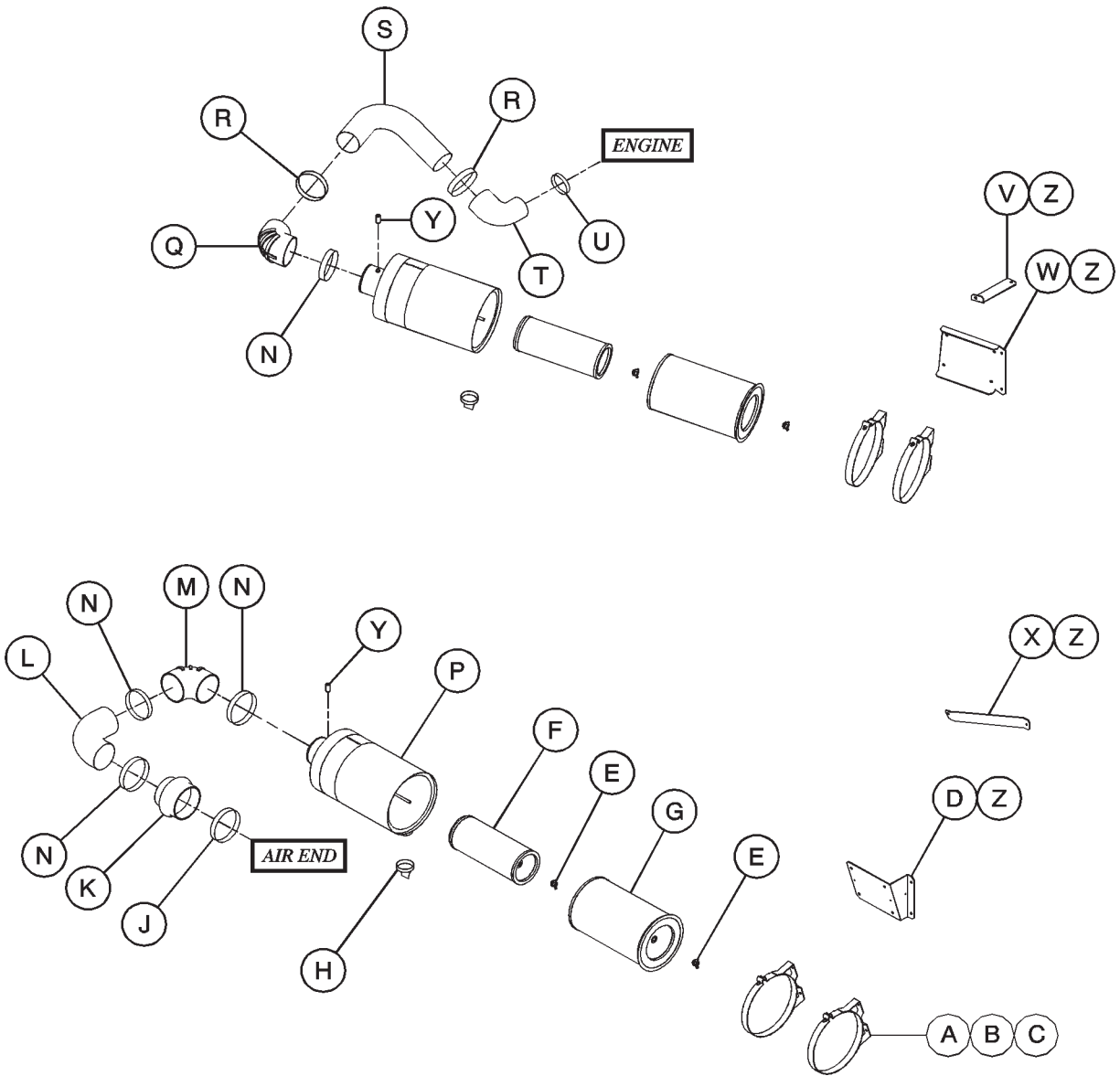
## AIR INTAKE



22826218\_cp21\_03/06\_A

ITEM	COMM. NO.	DESCRIPTION	QTY	DIMENSIONS/NOTES
A	35863638	Band, Mounting	4	
B	96702287	Screw, Hex M10 - 1.50 X 25	8	
C	96735550	Nut, Hex M10 - 1.50	8	
D	22271746	Support, A/E Air Cleaner	1	
E	36867794	Nut, Wing	4	
F	36876019	Element, Safety	2	
G	36867786	Element, Primary	2	
H	36867778	Ejector, Dust	2	
J	35119858	Clamp, 7.75" T-Bolt	1	
K	35112333	Hose, Hump	1	
L	22283238	Tube, A/E Air Intake	1	
M	35117605	Elbow, Rubber 90°	1	

AIR INTAKE cont'd

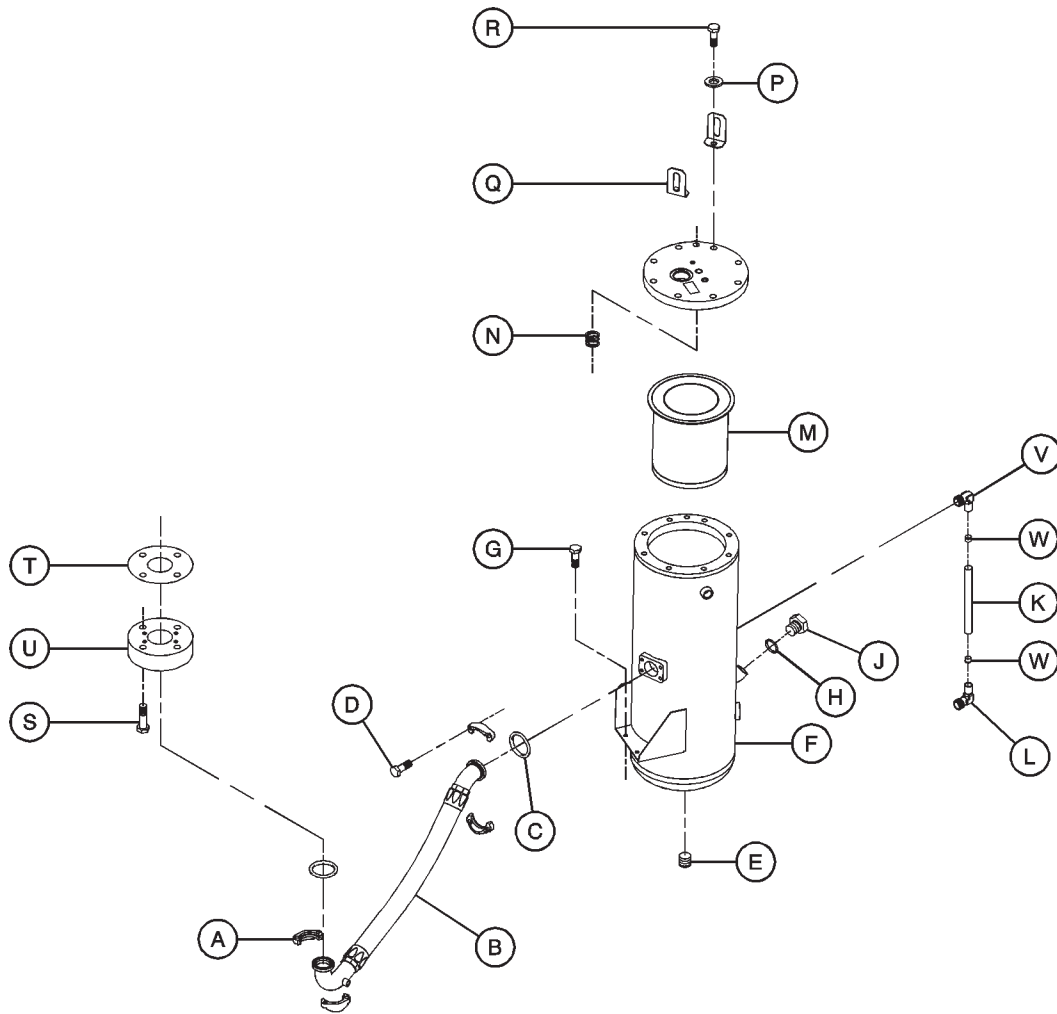


22826218\_cp21\_03/06\_A

ITEM	COMM. NO.	DESCRIPTION	QTY	DIMENSIONS/NOTES
N	35116094	Clamp, 6.50" T-Bplt	4	Includes Items E thru H
P	36866242	Air Filter Assembly	2	
Q	22285787	Elbow, Rubber 90°	1	
R	35161025	Clamp, 5.50" T-Bolt	2	
S	22641054	Tube, Engine Air Intake	1	
T	35274703	Elbow, Rubber	1	
U	36897668	Clamp, 4.50" T-Bolt	1	
V	22283592	Stiffener, Engine A/F	1	
W	22271738	Support, Engine A/F	1	
X	22283600	Stiffener, A/E Air Cleaner Suppot	1	
Y	95935599	Coupling, 1/8 NPT x .75"	2	
Z	35279025	Screw, Tapping M08 - 1.25 X 20	6	



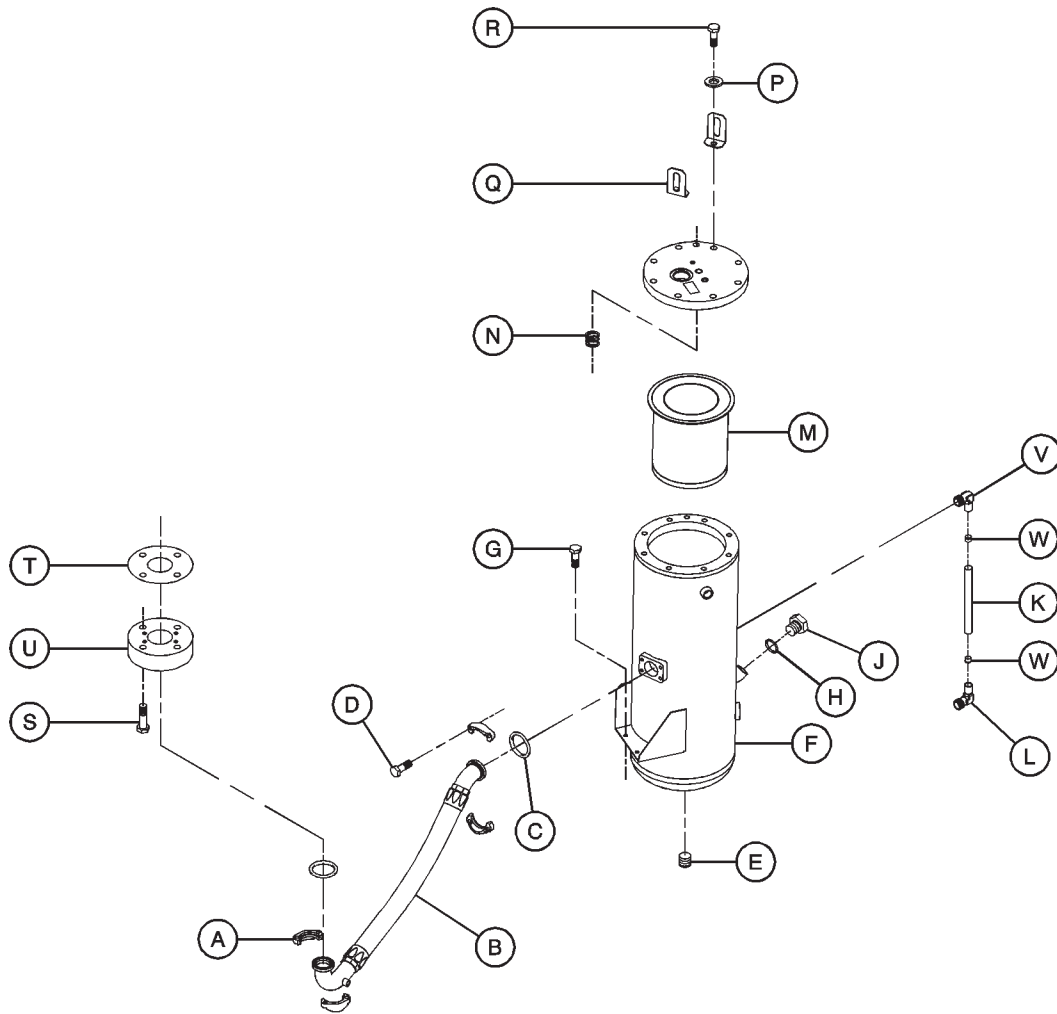
## SEPARATOR TANK ASSEMBLY



22826218\_cp22\_03/06\_A

ITEM	COMM. NO.	DESCRIPTION	QTY	DIMENSIONS/NOTES
A	36866010	Flange, Split	4	
B	22176572	Hose, Discharge	1	
C	36866028	O-Ring	2	
D	96702329	Screw, Hex M12 - 1.75 X 35	8	
E	95280541	Plug	1	
F	22188205	Tank, Separator	1	
G	36879492	Screw, Hex Flange M12-1.75 X 25	4	
H	35279942	O-Ring	1	
J	35579630	Plug, Filler	1	
K	22685531	Tube, Sight	1	
L	22685499	Elbow, Compression	1	

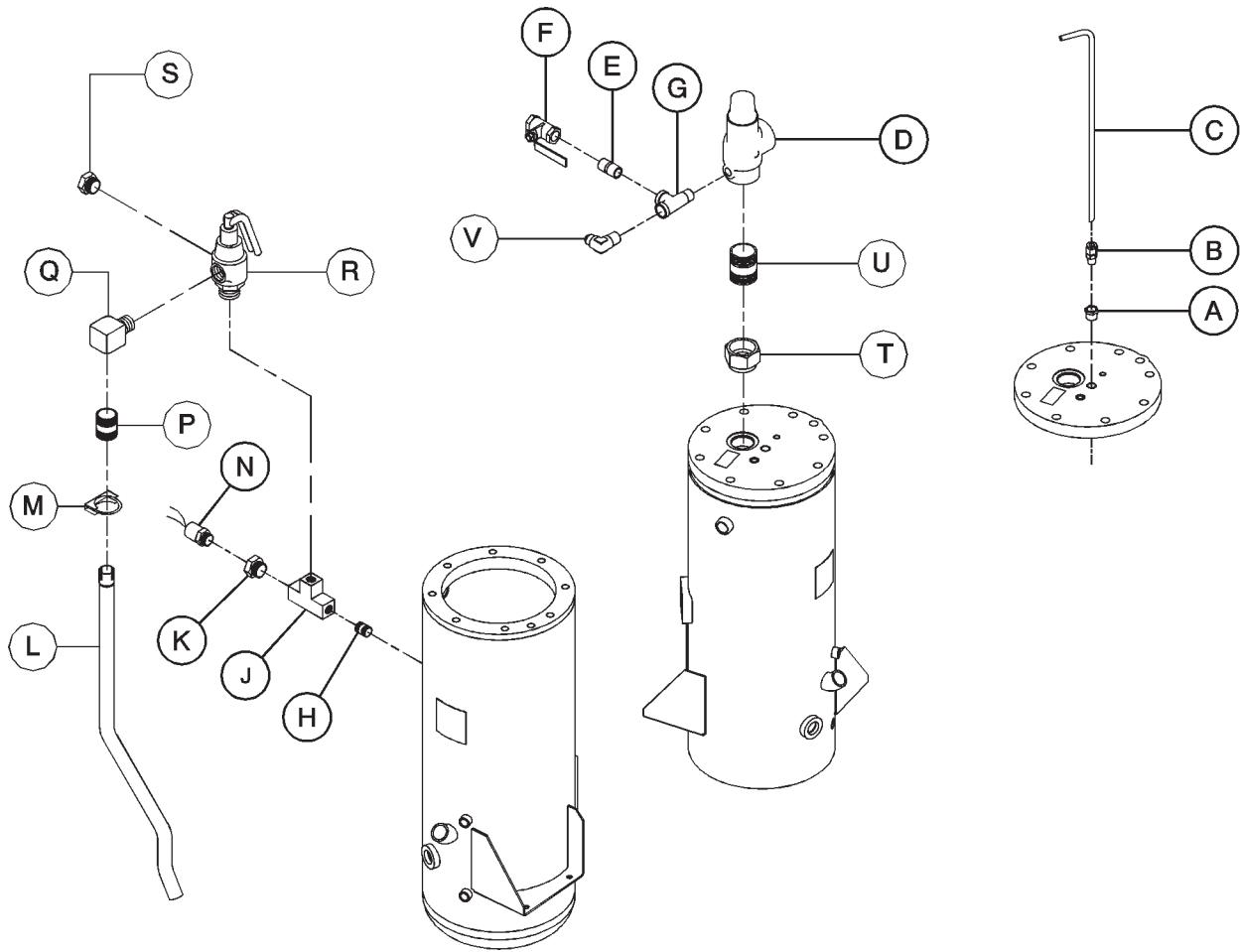
## SEPARATOR TANK ASSEMBLY cont'd



22826218\_cp22\_03/06\_A

ITEM	COMM. NO.	DESCRIPTION	QTY	DIMENSIONS/NOTES
M	22291280	Element, Separator	1	
N	35602325	Spring	1	
P	95935011	Washer, Flat	8	
Q	22326763	Bracket, Lift	2	
R	96727276	Screw, Hex Flange M20-2.50 X 70	9	
S	39179072	Screw, Hex M16-2.0 X 50	4	
T	36898492	Gasket, Discharge Flange	1	
U	36898500	Adapter, Flange	1	
V	22685481	Elbow, Compression	1	
W	22685507	Insert, 1/4 Tube	2	

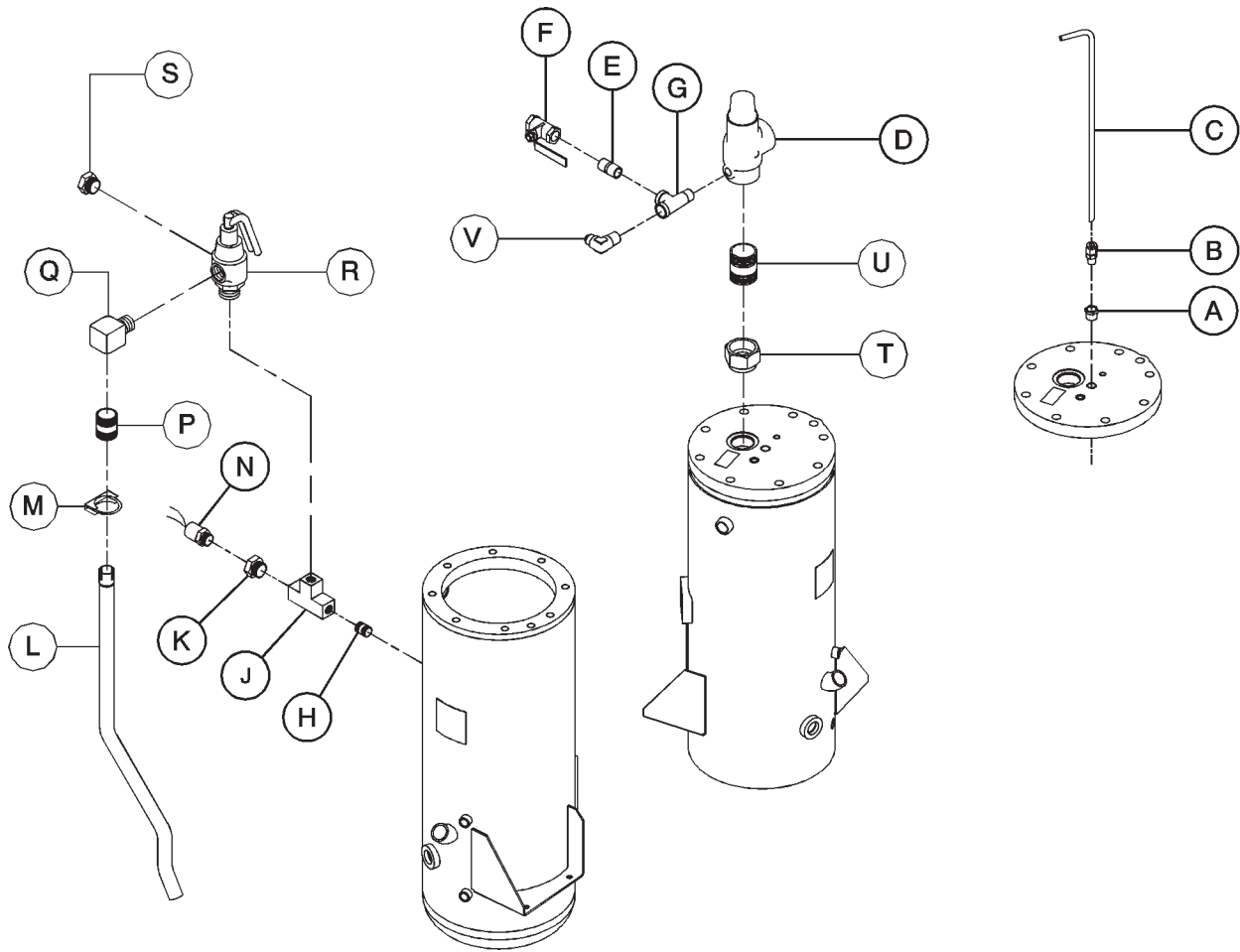
## SEPARATOR TANK COMPLETE



22826218\_cp23\_03/06\_A

ITEM	COMM. NO.	DESCRIPTION	QTY	DIMENSIONS/NOTES
A	95953956	Bushing, Reducing 3/4 NPT X 3/8 NPT	1	
B	35329309	Fitting, Tube	1	
C	36794147	Tube, Scavenge	1	
D	22217848	Valve, Min. Pressure	1	
E	95934279	Nipple, 1/2 NPT X 1.12"	1	
F	35581792	Valve, Ball	1	
G	95944708	Tee, Street 1/2 NPT	1	
H	95951422	Nipple, Short 1.0 NPT x 2.0"	1	
J	95954228	Tee, 1.0 NPT	1	
K	95940060	Bushing, Reducing 1.0 NPT x 1/2 NPT	1	

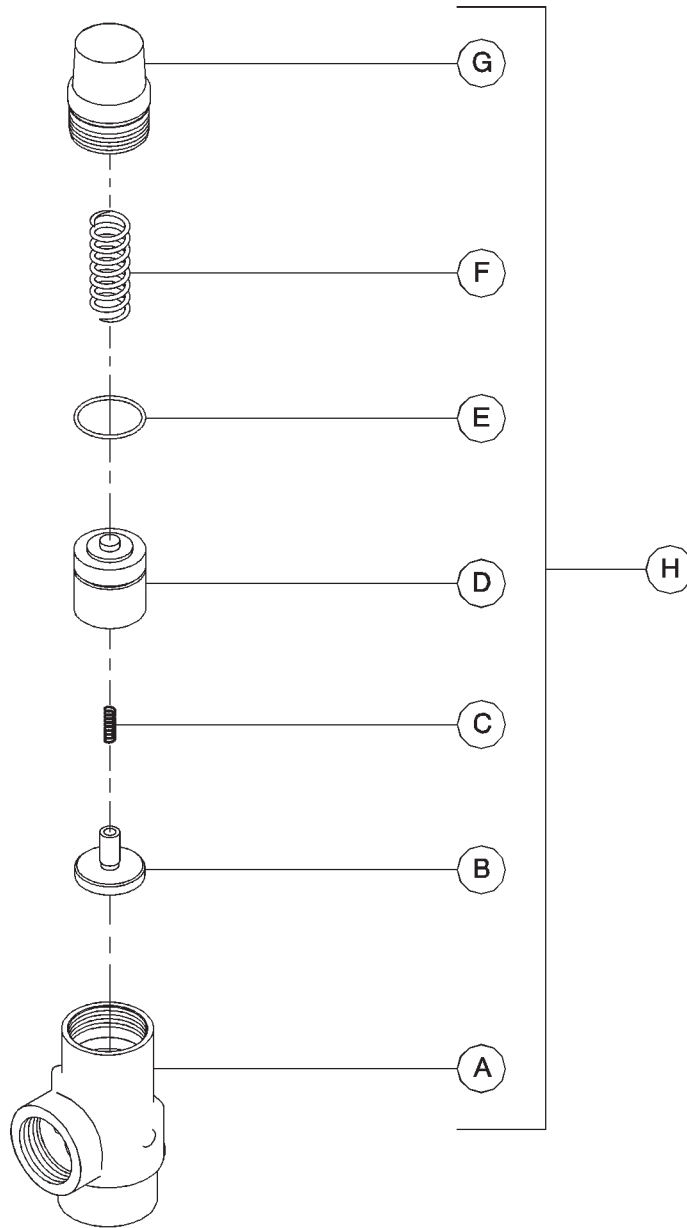
SEPARATOR TANK COMPLETE cont'd



22826218\_cp23\_03/06\_A

ITEM	COMM. NO.	DESCRIPTION	QTY	DIMENSIONS/NOTES
L	22352934	Pipe, Safety Valve	1	
M	35261155	Clamp, Muffler	1	
N	22806004	Sensor, Temperature	1	
P	95953758	Nipple, Long 1.25 NPT X 4.50"	1	
Q	95944104	Elbow, 90° Street 1.25 NPT	1	
R	39227541	Valve, Safety	1	
S	95928230	Plug, Hex Countersink 1/4 NPT	1	
T	95944641	Adapter, 2.50-12 X 2.0 NPT	1	
U	95953790	Nipple, Short 2.0 NPT X 2.50"	1	
V	35309210	Elbow, 90° 1/2 NPT X -8 JIC	1	

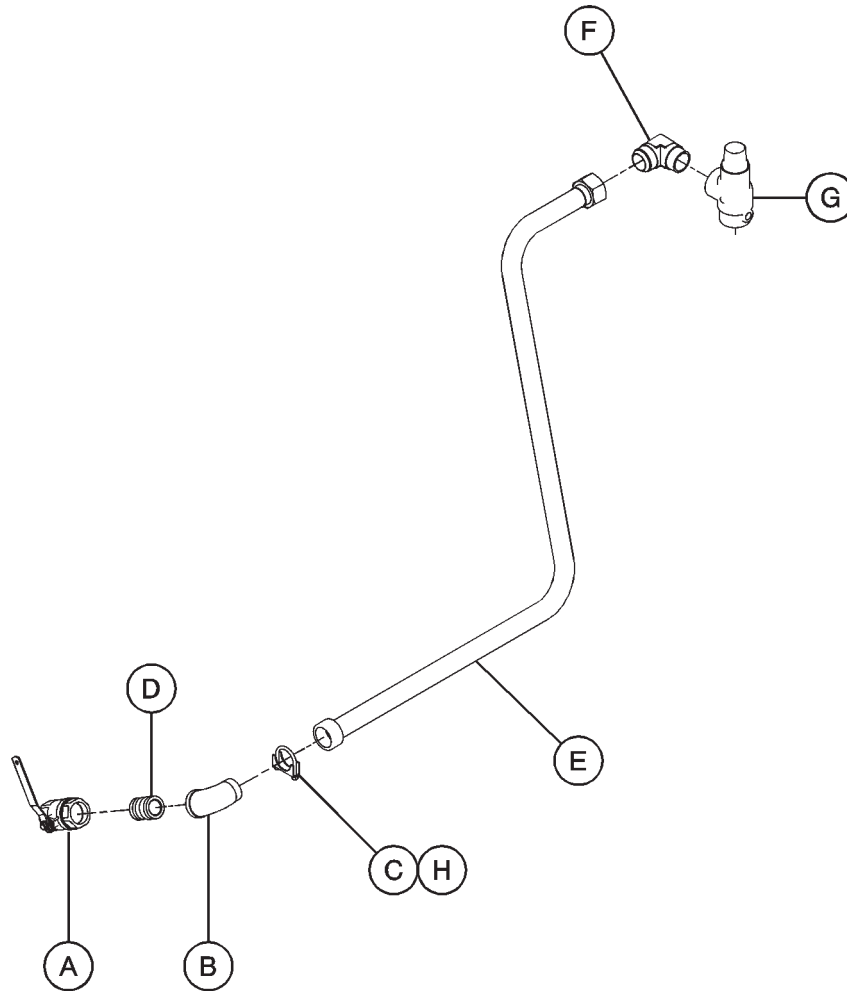
## MINIMUM PRESSURE CHECK VALVE



22826218\_cp24\_03/06\_A

ITEM	COMM. NO.	DESCRIPTION	QTY	DIMENSIONS/NOTES
A	22218424	Body, Valve	1	
B	35367317	CV Assembly	1	
C	22218457	Spring, Small	1	
D	35367325	Valve, Piston	1	
E	35367374	O-Ring	1	
F	35367366	Spring, Large	1	
G	22218432	Cap, Valve	1	
H	22217848	Minimum Pressure Check Valve Assembly	1	
	22218622	Check Valve Kit	AR	Incl. Items B, C, E & F

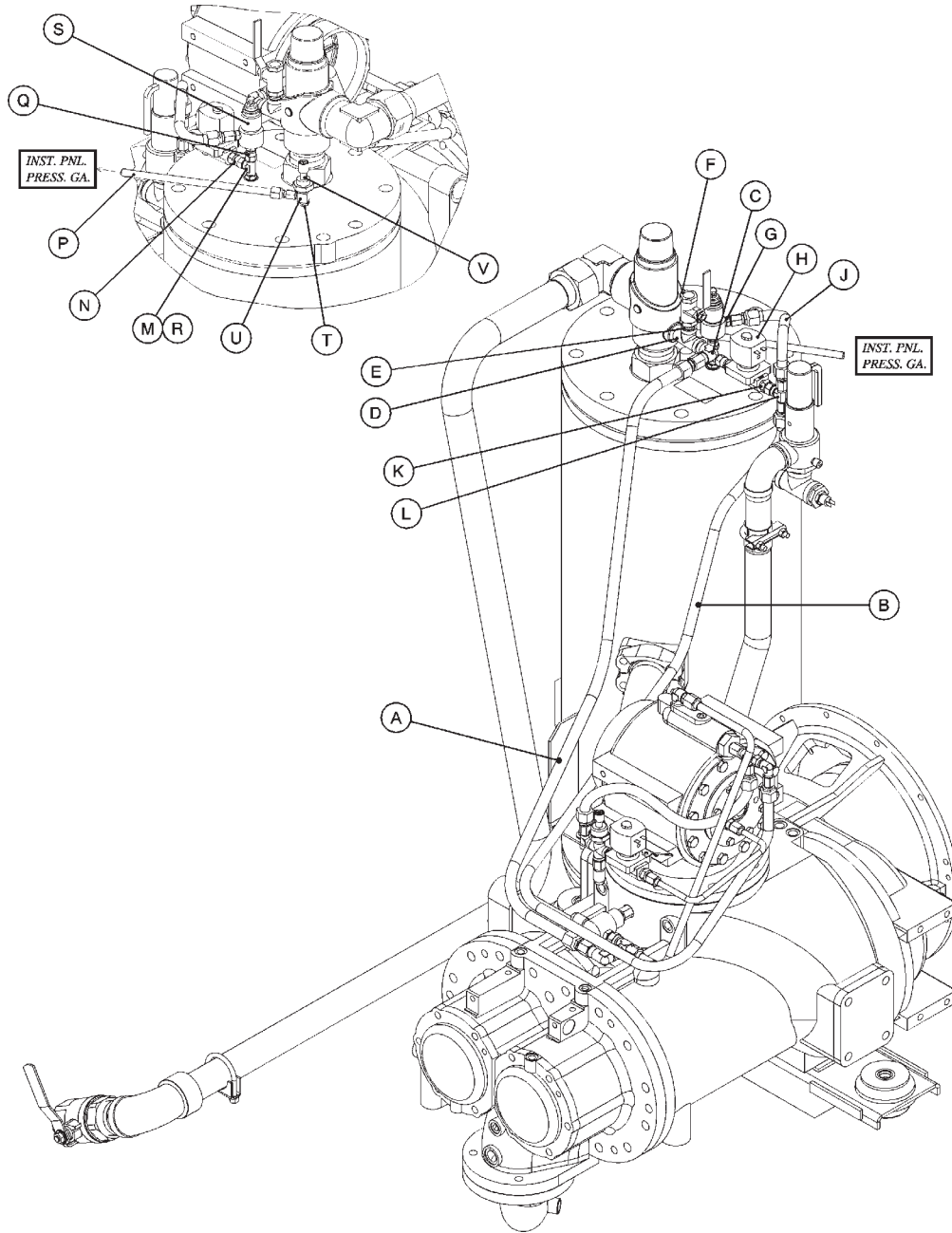
## SERVICE AIR PIPING



22826218\_cp25\_03/06\_A

ITEM	COMM. NO.	DESCRIPTION	QTY	DIMENSIONS/NOTES
A	35602473	Valve, Ball	1	
B	95944674	Elbow, 90° Street 2.0 NPT	1	
C	35192178	Clamp, Saddle	1	
D	95953790	Nipple, Short 2.0 NPT X 2.50"	1	
E	22223846	Pipe, Service	1	
F	36786127	Elbow, 90° 2.0 NPT X -32 JIC	1	
G	22217848	Valve, Minimum Pressure	1	
H	95935037	Washer, Flat	2	

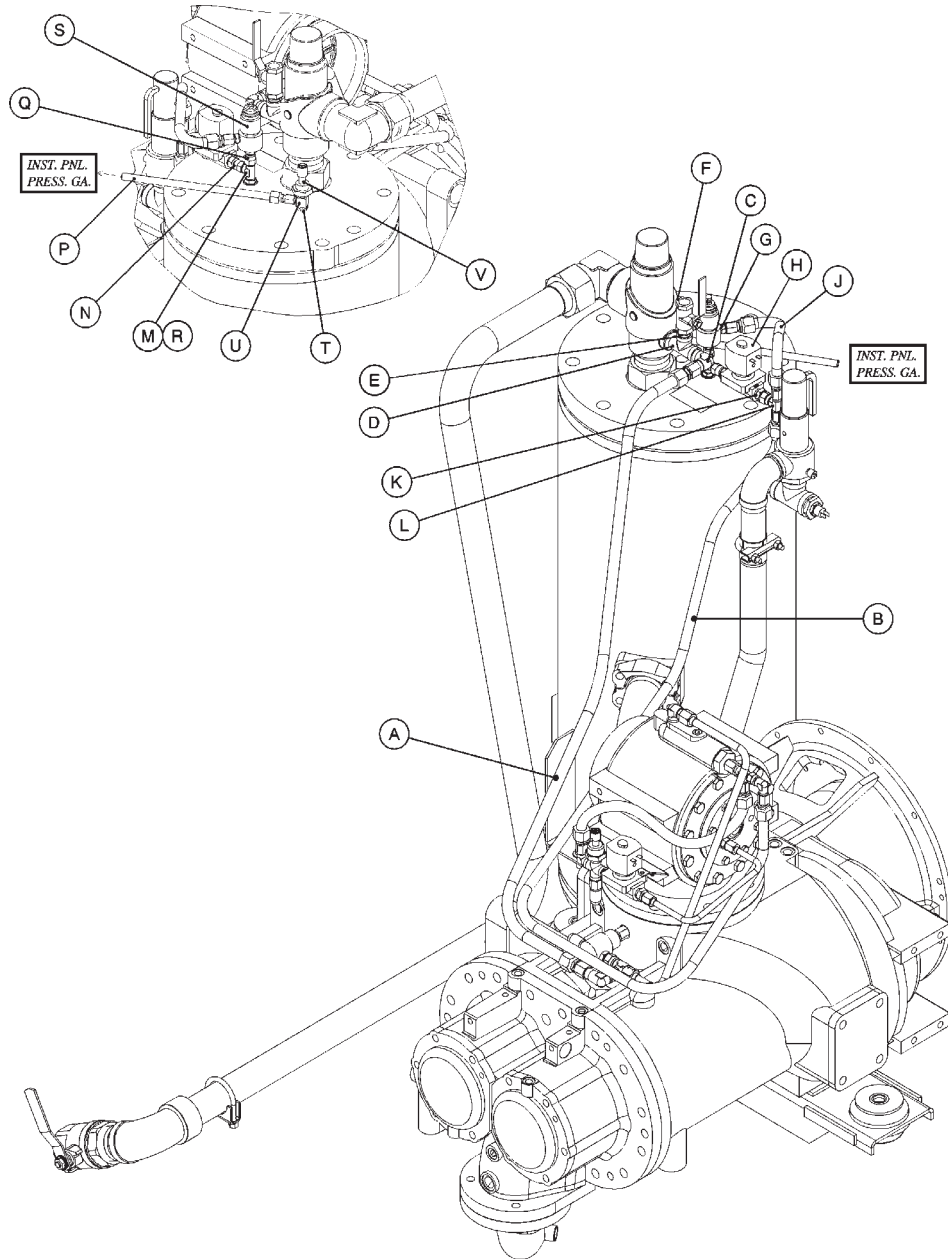
## AIR PIPING



22826218\_cp26\_03/06\_A

ITEM	COMM. NO.	DESCRIPTION	QTY	DIMENSIONS/NOTES
A	35286541	Hose Assembly, -8 JIC	1	
B	35284538	Hose Assembly, -6 JIC	1	
C	35309210	Elbow, 90° 1/2 NPT X -8 JIC	1	
D	95944708	Tee, Street 1/2 NPT	1	
E	95934279	Nipple, Close 1/2 NPT X 1.12"	1	
F	35581792	Valve, Ball	1	
G	35284082	Connector, 1/4 NPT X -6 JIC	1	
H	36840841	Valve, Solenoid	1	
J	35282953	Hose Assembly, -6 JIC	1	
K	35290147	Connector, 3/8 NPT X -6 JIC	1	

## AIR PIPING cont'd

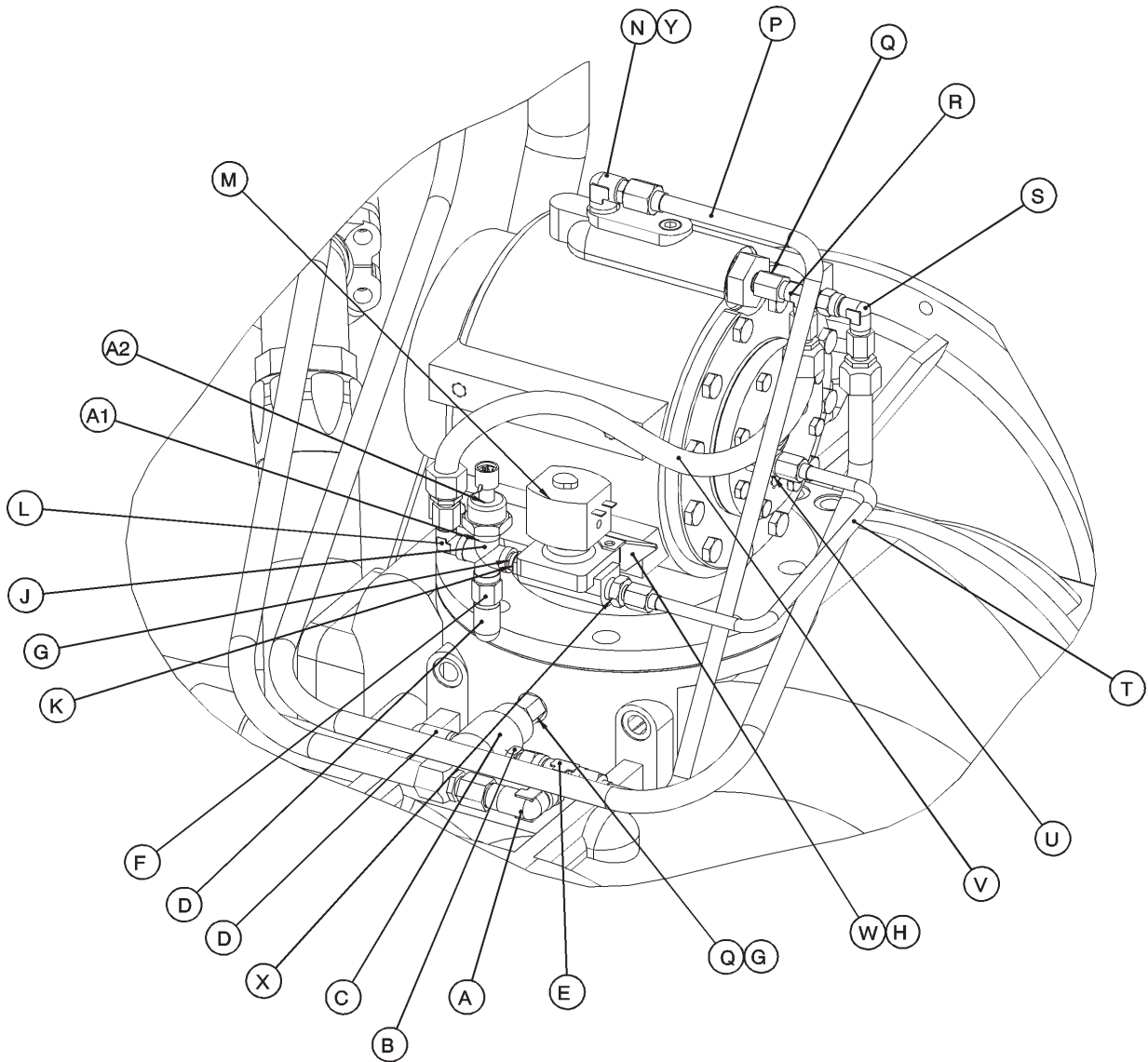


22826218\_cp26\_03/06\_A

ITEM	COMM. NO.	DESCRIPTION	QTY	DIMENSIONS/NOTES
L	35283092	Tee, -6 JIC Branch Swivel Nut	1	
M	35279850	Tee, 9/16 -18 Run X -6JIC Swivel Nut	1	
N	35368927	Fitting, Swivel	1	
P	35306661	Hose Assembly, -4 JIC	1	
Q	35367846	Connector, 1/4 NPT X -6 IC	1	
R	35278571	O-Ring	1	
S	35854149	Valve, Pressure Regulator	1	XP Models
	36854495	Valve, Pressure Regulator	1	HP Models
T	95953899	Bushing, Reducing 3/8 NPT x 1/8 NPT	1	
U	35326503	Tee, 1/8 NPT X -4 JIC	1	
V	54496773	Transducer, Pressure	1	



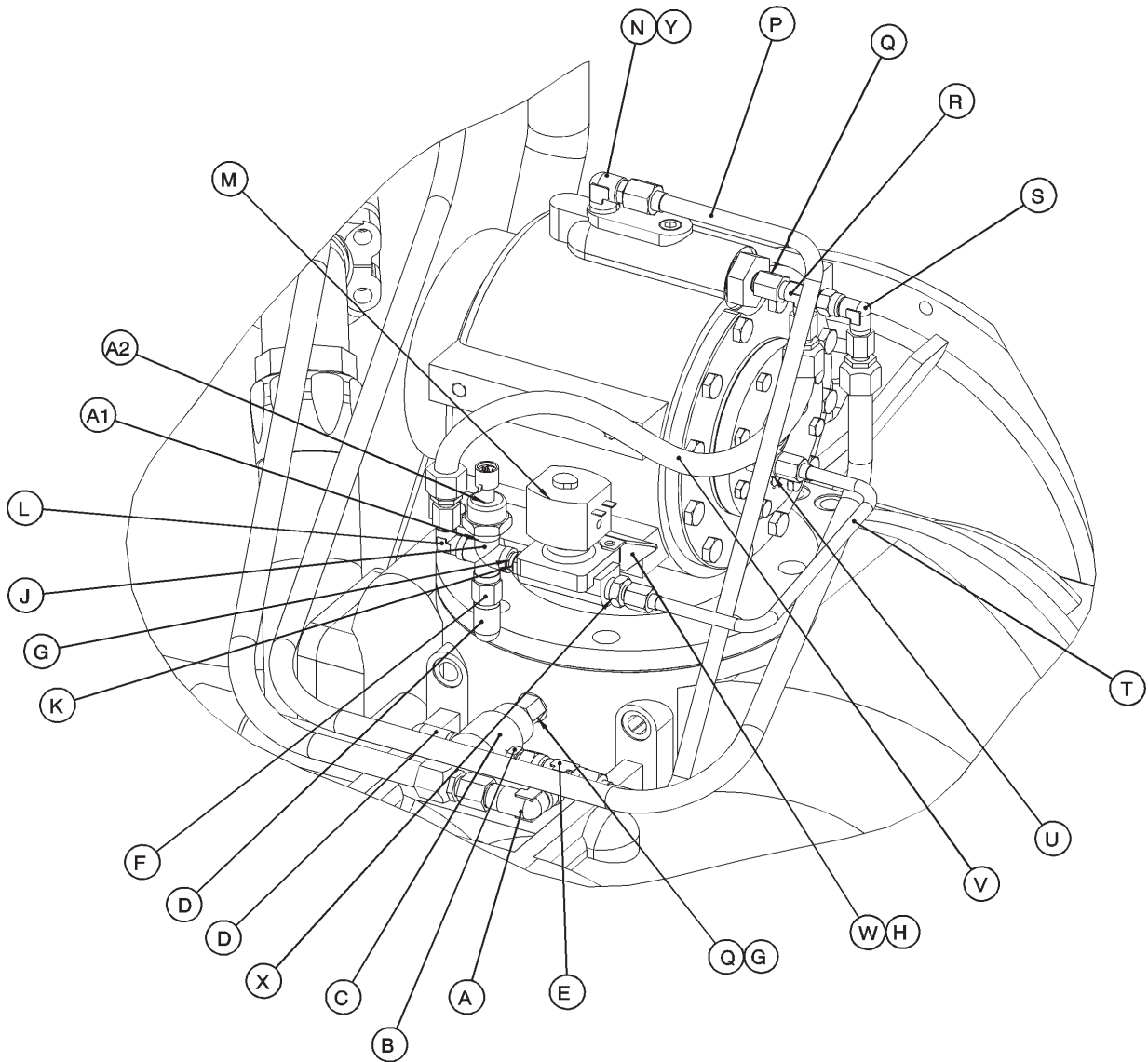
## AIR PIPING cont'd



22826218\_cp27\_03/06\_A

ITEM	COMM. NO.	DESCRIPTION	QTY	DIMENSIONS/NOTES
A	35287911	Elbow, 90° Swivel Nut -8 JIC	1	
B	35283134	Connector, 1/4 NPT X -8 JIC	1	
C	35322379	Valve, Blowdown	1	
D	35322395	Silencer, Pneumatic 1/4 NPT	2	
E	35287929	Tee, Swivel Nut Run -8 JIC	1	
F	35322346	Orifice, .156"	1	
G	95944575	Nipple, Close 1/4 NPT X .88"	2	
H	96719869	Screw, Hex M12-1.75 X 20	1	
J	95954293	Cross, 1/4 NPT	1	
K	95940748	Bushing, Reducing 3/8 NPT X 1/2 NPT	1	
L	35279934	Elbow, 90° 1/4 NPT X -6 JIC	1	
M	36881944	Valve, Solenoid	1	
N	35287937	Elbow, 90° 9/16-18 X -8 JIC w/ O-Ring	1	
P	35857176	Tube Assembly	1	

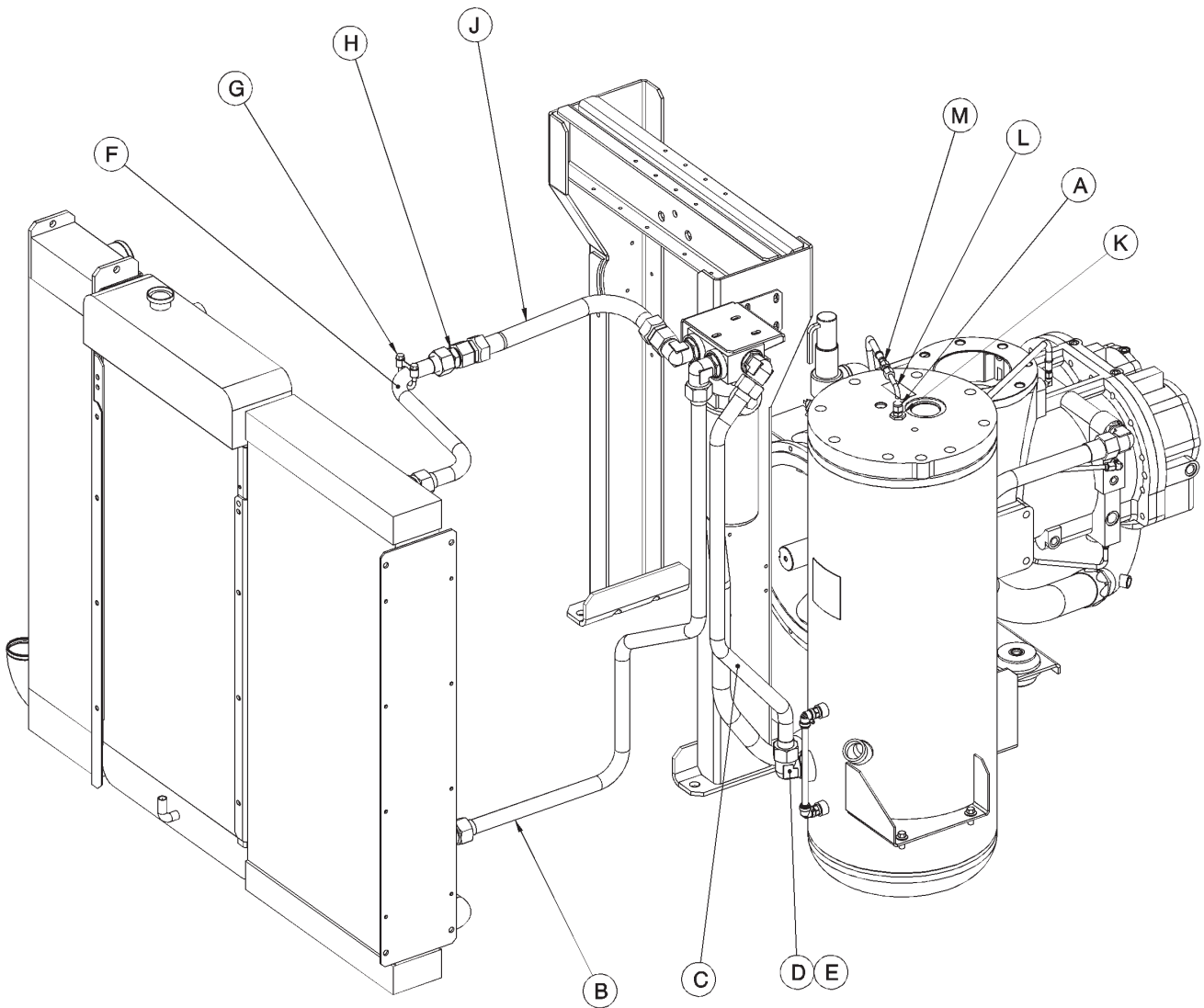
## AIR PIPING cont'd



22826218\_cp27\_03/06\_A

ITEM	COMM. NO.	DESCRIPTION	QTY	DIMENSIONS/NOTES
Q	35302314	Adapter, 9/16-18 X 1/4 NPT	2	
R	35283050	Tee, Run 1/4 NPT X -6 JIC	1	
S	35283068	Elbow, 90° Swivel Nut	1	
T	36867554	Tube, Unloader	1	
U	36840460	Valve, .040" Check	1	
V	35283282	Hose Assembly	1	
W	36841658	Bracket	1	
X	35290147	Connector, 3/8 NPT X -6 JIC	1	
Y	35278571	O-Ring	AR	
Z	35379064	Kit, Diaphragm Repair	AR	For Item C
A1	95930301	Bushing, Reducing 1/4 NPT X 1/8 NPT	1	
A2	36920825	Transducer, Pressure 100 PSI	1	

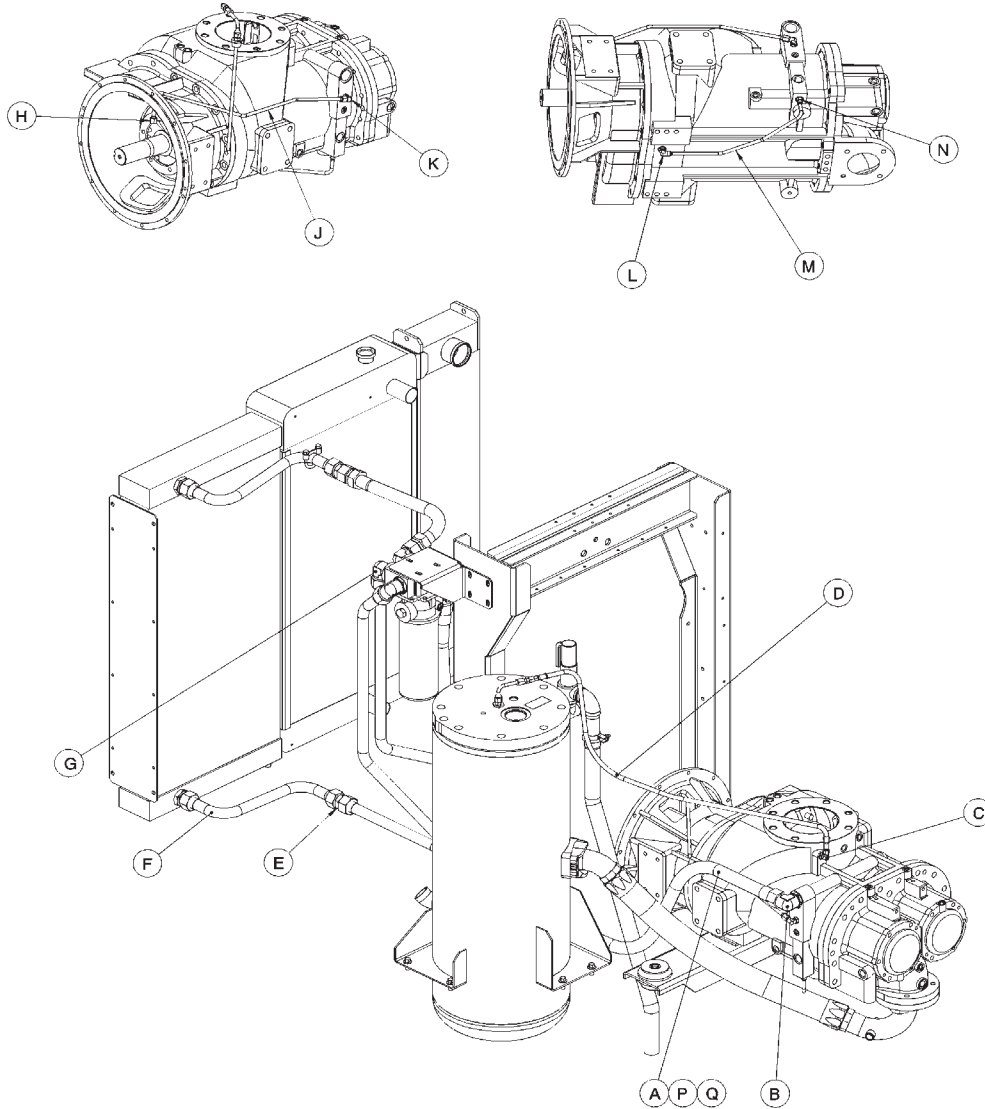
## OIL PIPING



22826218\_cp28\_03/06\_A

ITEM	COMM. NO.	DESCRIPTION	QTY	DIMENSIONS/NOTES
A	35329309	Fitting, Lenz	1	
B	22214787	Tube Assembly	1	
C	22214803	Tube Assembly	1	
D	35279777	Elbow, 90° 1.62-12 X -20 JIC w/ O-Ring	1	
E	35279942	O-Ring	AR	
F	22214779	Tube Assembly	1	
G	36785277	Clamp, Saddle	1	
H	95469052	Union	1	
J	35228212	Hose Assembly	1	
K	95953956	Bushing, Reducer 3/4 NPT X 3/8 NPT	1	
L	36794147	Tube, Scavenge	1	
M	36840411	Valve, Check	1	

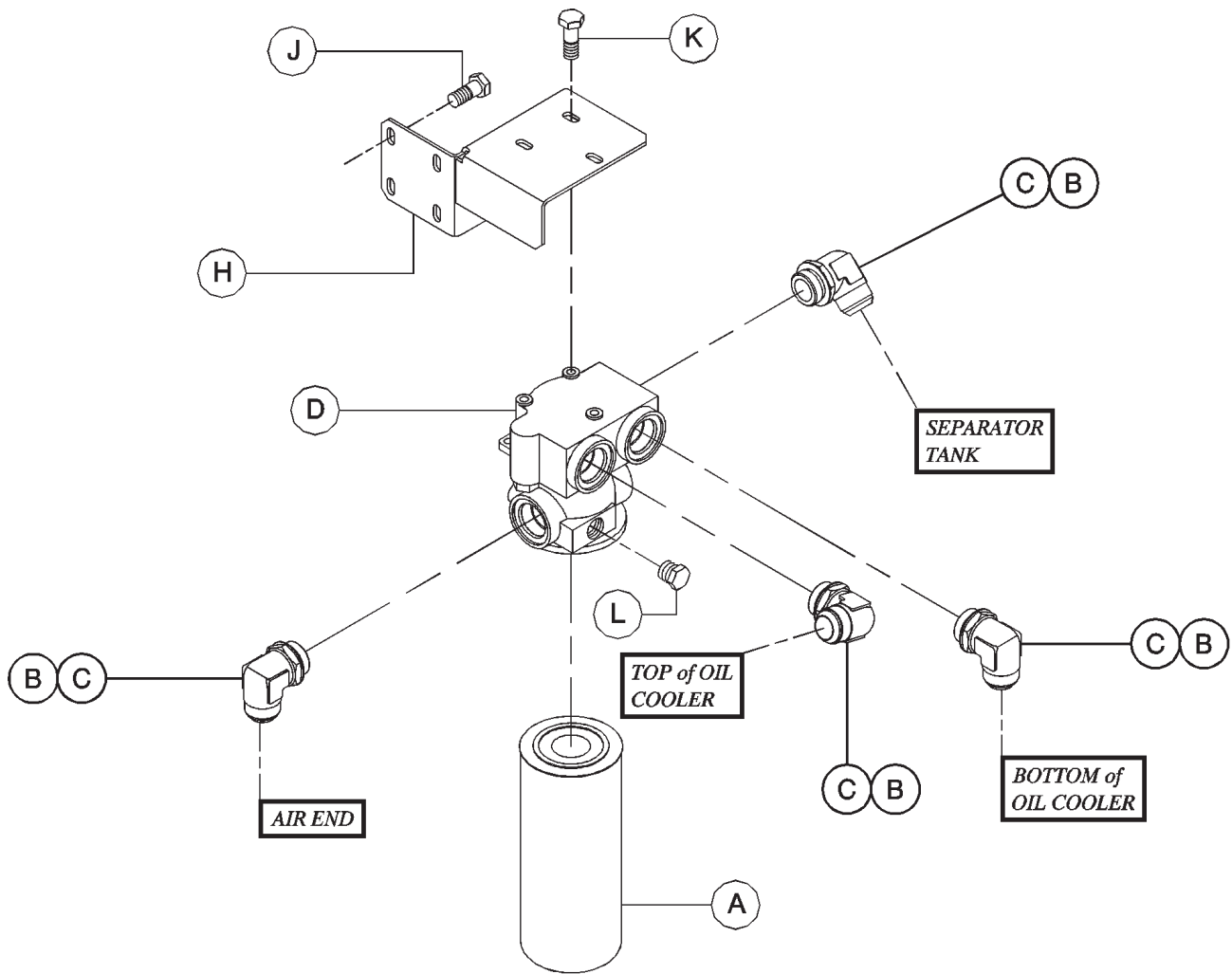
## OIL PIPING cont'd



22826218\_cp29\_03/06\_A

ITEM	COMM. NO.	DESCRIPTION	QTY	DIMENSIONS/NOTES
A	22279772	Hose Assembly	1	
B	39476973	Elbow, 90° 1.31-12 X -20 JIC	1	
C	95365094	Elbow, 90° 9/16-18 X -4 JIC	1	
D	35322494	Hose Assembly	1	
E	95469052	Union	1	
F	22214779	Tube Assembly	1	
G	35279777	Elbow, 90° 1-5/8-12 X -20 JIC	4	
H	36866564	Connector, 7/16-20 X -6 JIC	1	
J	39911284	Tube Assembly	1	
K	95959730	Elbow, 90° 7/16-20 X -6 JIC	1	
L	35279827	Elbow, 90° 9/16-18 X -6 JIC	1	
M	39911292	Tube	1	
N	95974663	Connector, 7/16-14 X -6 JIC	1	
P	35114057	Clamp, 1.50" Support	1	
Q	35279025	Screw, Tapping M08 - 1.25 X 20	1	

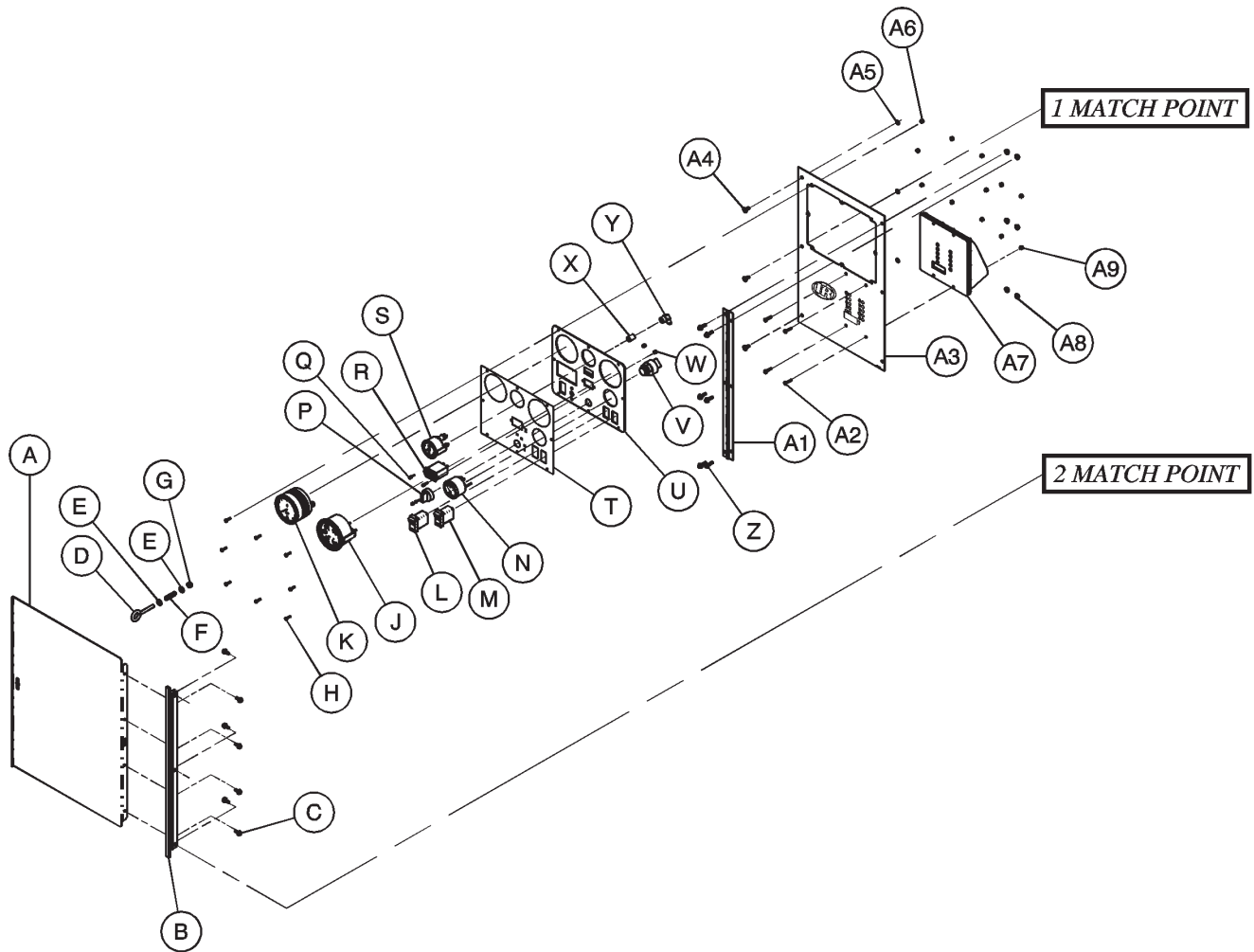
## COMPRESSOR OIL FILTER



22826218\_cp30\_03/06\_A

ITEM	COMM. NO.	DESCRIPTION	QTY	DIMENSIONS/NOTES
A	36897346	Element, Oil Filter	1	
B	35279942	O-Ring	AR	
C	35279777	Elbow, 90° 1-5/8-12 X -20 JIC	4	
D	36871689	Head, Oil Filter	1	
E	35388024	Repair Kit, Relief Valve	AR	
F	35388032	Repair Kit, Thermostat Element	AR	
G	35388040	Repair Kit, O-Ring	AR	
H	22213037	Bracket, OTBV	1	
J	35279025	Screw, Tapping M08 - 1.25 X 20	4	
K	96701479	Screw, Hex M10 - 1.50 X 16	3	
L	95938965	Plug, Hex 7/16-20	1	

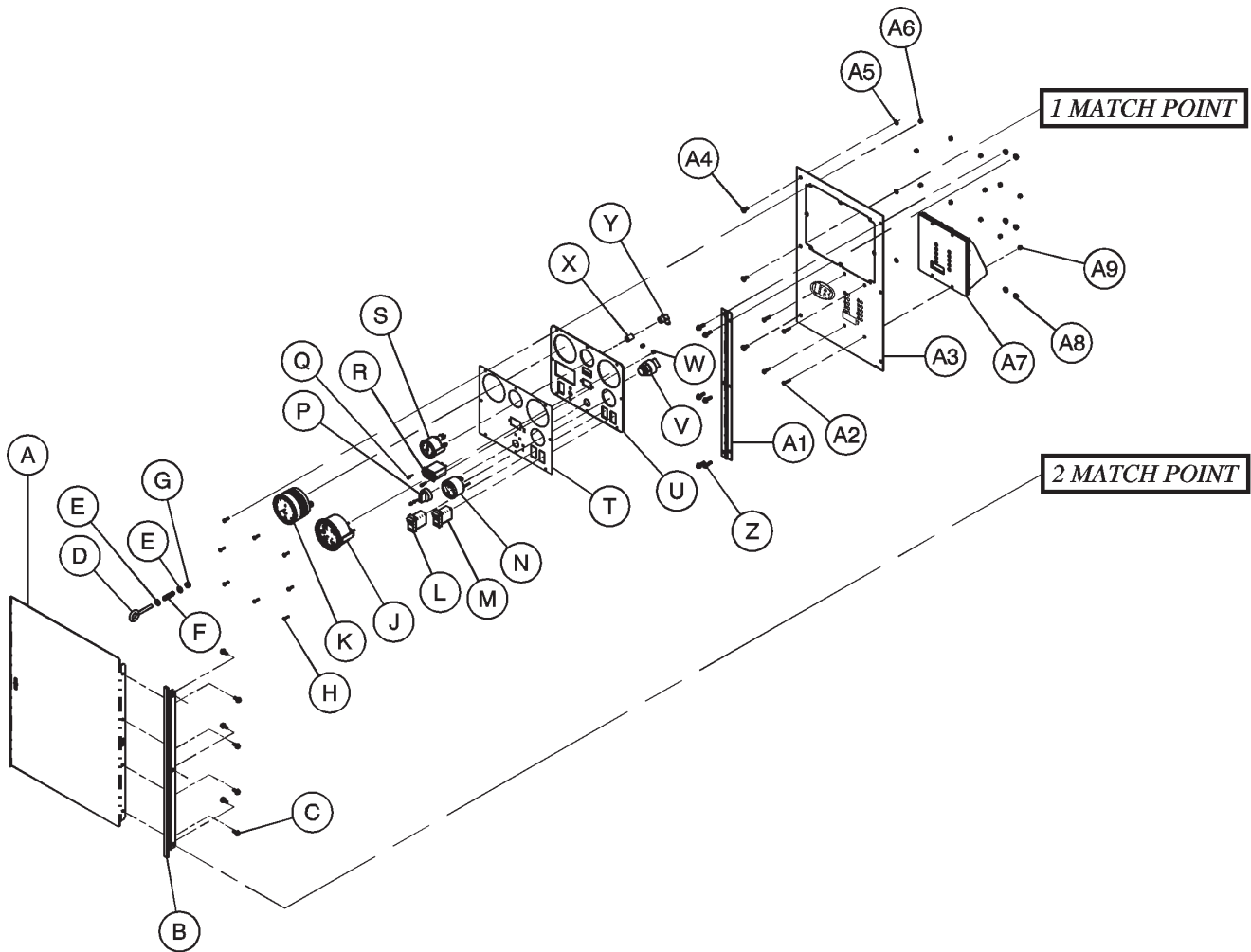
# INSTRUMENT PANEL FACE



22826218\_cp31\_03/06\_A

ITEM	COMM. NO.	DESCRIPTION	QTY	DIMENSIONS/NOTES
	22633044	Panel Assembly, Instrument		Incl. Items J thru Y
A	22625909	Door, Instrument Panel	1	
B	22631816	Hinge, Instrument Panel Door	1	
C	92368687	Screw, Tapping M06-1.0 x 14	6	
D	35327303	Eyebolt	1	
E	95934998	Washer, Flat	3	
F	35327311	Spring	1	
G	95923314	Nut, Hex Lock 5/16-18	1	
H	95942553	Screw, Pan Head #8-32 X 5/8"	8	
J	22056394	Gauge, 4 in 1	1	
K	22055883	Tachometer	1	
L	22054076	Switch, Warm-Up	1	

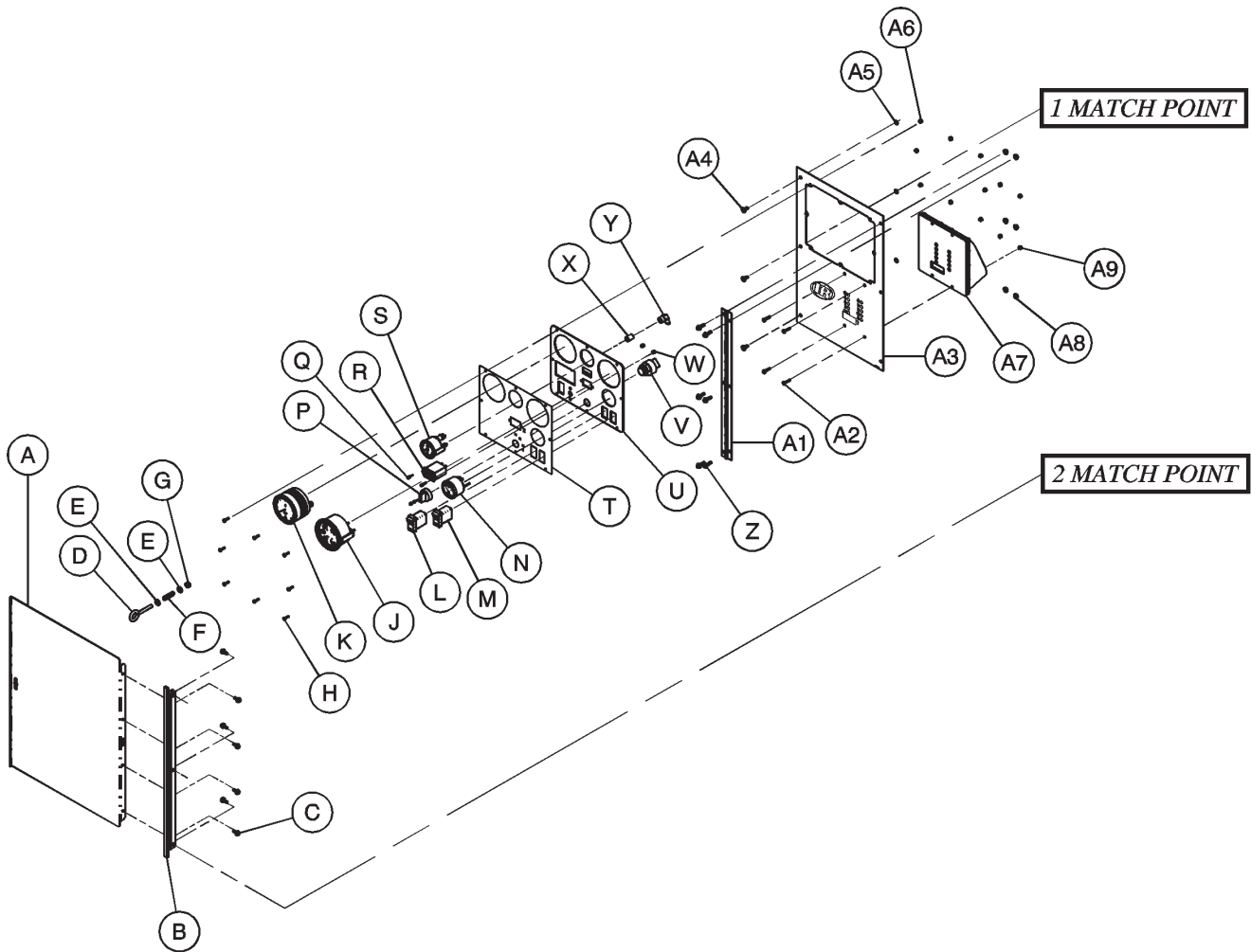
## INSTRUMENT PANEL FACE cont'd



22826218\_cp31\_03/06\_A

ITEM	COMM. NO.	DESCRIPTION	QTY	DIMENSIONS/NOTES
M	22050553	Light, Warning Module	1	Included w/ Item V
N	22692602	Gauge, Fuel Level	1	
P	22134118	Knob Assembly	AR	
Q	95775599	Screw, Round Head #4-40 X 1/2"	2	
R	22054175	Meter, Hour	1	
S	36891216	Gauge, Pressure 250 PSi	1	
T	22171698	Decal, Instrument Panel	1	
U	22171680	Panel, Instrument	1	
V	22127385	Switch, Start	1	
W	22054159	Nut, Plastic	2	
X	95935599	Coupling, 1/8 NPT X 3/4"	1	

## INSTRUMENT PANEL FACE cont'd

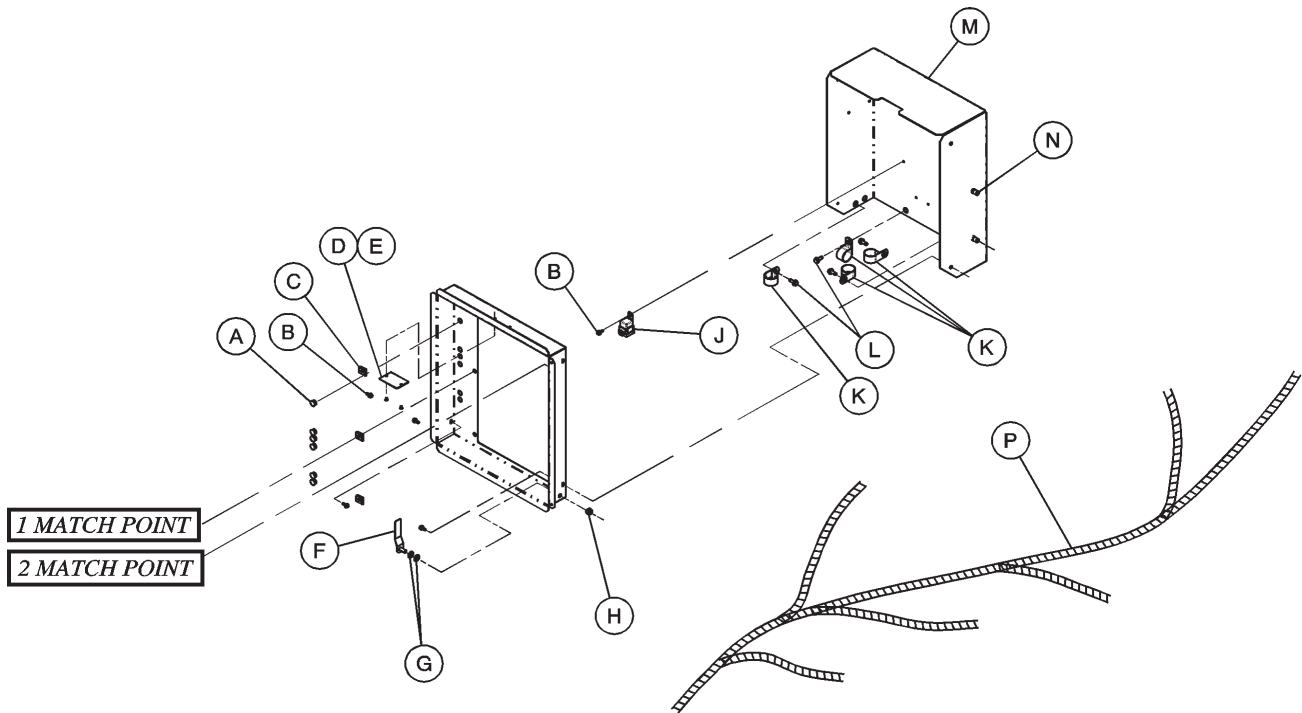


22826218\_cp31\_03/06\_A

ITEM	COMM. NO.	DESCRIPTION	QTY	DIMENSIONS/NOTES
Y	35306687	Elbow, 90° 1/8 NPT X -4 JIC	1	
Z	36898096	Screw, Hex Flange M06-1.0 X 20	6	
A1	22624316	Hinge, Instrument/Control Panel	1	
A2	95942611	Screw, Pan Head #10-32 X 7/8"	4	
A3	22623003	Panel, Instrument and Diagnostic	1	
A4	35256429	Stud, 1/4 Turn Slotted	3	
A5	35256445	Retainer	3	
A6	95942637	Nut, Hex Lock #8-32	8	
A7	22173579	Wedge Module	1	
A8	36898104	Nut, Hex Flange M06-1.0	6	
A9	95928800	Nut, Hex Lock #10-32	4	



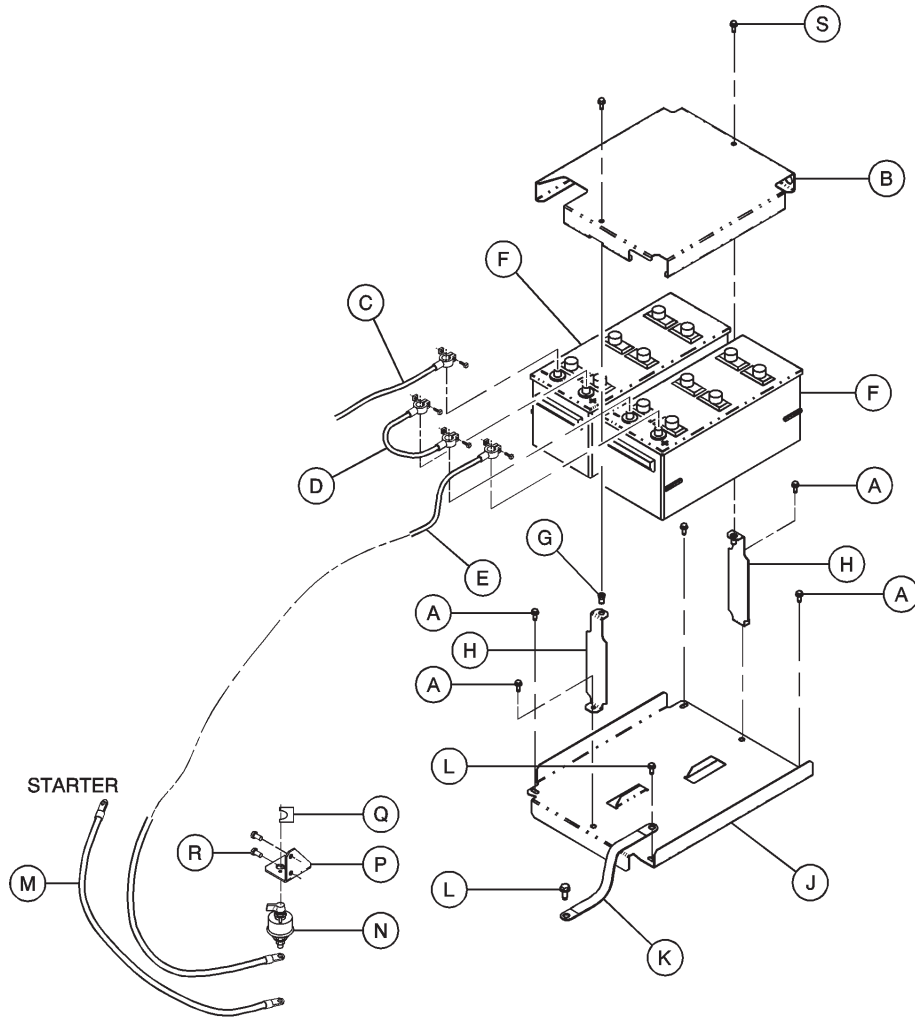
## INSTRUMENT PANEL BACK



22826218\_cp32\_03/06\_A

ITEM	COMM. NO.	DESCRIPTION	QTY	DIMENSIONS/NOTES
A	35282185	Plug, Hole 5/8"	6	
B	92368687	Screw, Tapping M06-1.0 x 14	5	
C	35256452	Receptacle, Quarter Turn	3	
D	22389886	Plate, Serial Number	1	
E	36794816	Rivet, .187 Black Stainless	2	
F	35603349	Holder, Door	1	
G	95935037	Washer, Flat	2	
H	35273366	Nut, Hex Lock M10-1.50	1	
J	36892362	Relay	1	
K	35114057	Clamp, 1.50" Rubber Support'	3	
L	35279025	Screw, Tapping M08 - 1.25 X 20	3	
M	22622997	Cover, Instrument Panel Rear	1	
N	36895746	Nutsert, Hex M08	3	
P	22784698	Harness, Instrument Panel	1	

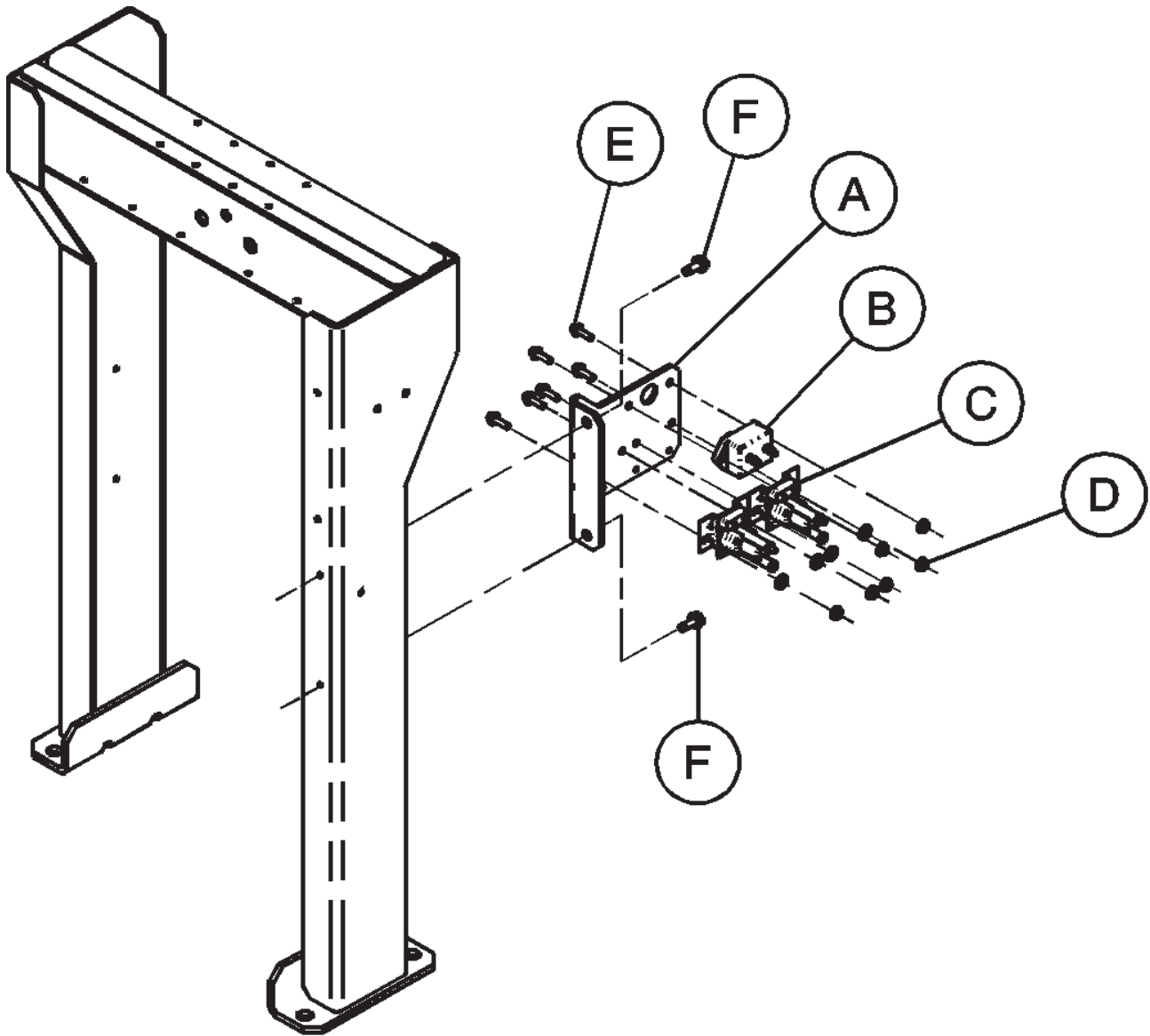
## BATTERY MOUNT



22826218\_cp33\_03/06\_A

ITEM	COMM. NO.	DESCRIPTION	QTY	DIMENSIONS/NOTES
A	35279025	Screw, Tapping M08 - 1.25 X 20	5	
B	22666366	Tray, Top	1	
C	36780609	Cable, Negative	1	
D	35598986	Cable, Jumper	1	
E	35582410	Cable, Positive	1	
F	36793545	Battery	2	
G	36895746	Nutsert, Hex M08	4	
H	22666382	Bracket, Battery End	2	
J	22666374	Tray, Bottom Battery	1	
K	22132153	Strap, Ground	1	
L	96738802	Screw, Tapping M08 - 1.25 X 20	2	
M	54765383	Cable, Positive Jumper	1	
N	36896975	Switch, Battery Disconnect	1	
P	22666606	Support, Battery Disconnect	1	
Q	54642327	Decal, Battery Disconnect	1	
R	96702279	Screw, Hex M10-1.50 X 20	1	
S	36889608	Screw, Hex Flange M08-1.25 X 25	2	

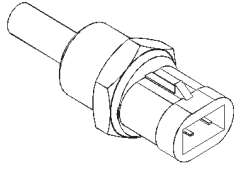
## RELAY MOUNTING



22826218\_cp34\_05/06\_A

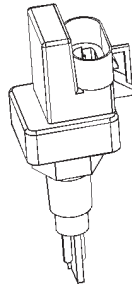
ITEM	COMM. NO.	DESCRIPTION	QTY	DIMENSIONS/NOTES
A	22663181	Bracket, Relay	1	
B	22101968	Circuit Breaker 120A	1	
C	36853521	Relay	2	
D	36898104	Nut, Hex Flange M06-1.0	6	
E	36898096	Screw, Hex Flange M06-1.0 X 20	6	
F	35279025	Screw, Tapping M08 - 1.25 X 20	2	

## SENDERS, SENSORS and SWITCHES



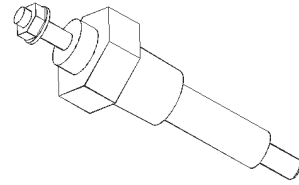
(A)

1. AirEnd Discharge Pipe
2. Separator Tank Side



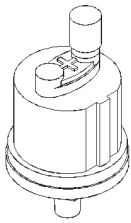
(B)

1. Top Radiator Tank



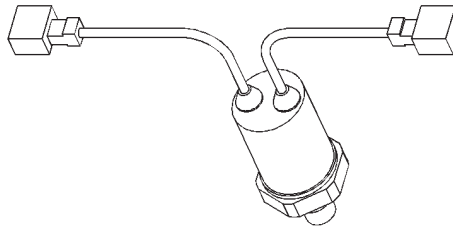
(C)

1. AirEnd Discharge Pipe
2. Top Engine @ Radiator Hose



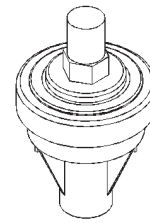
(D) (G)

1. Engine Near Starter



(E) (H)

1. AirEnd Oil Feed Manifold



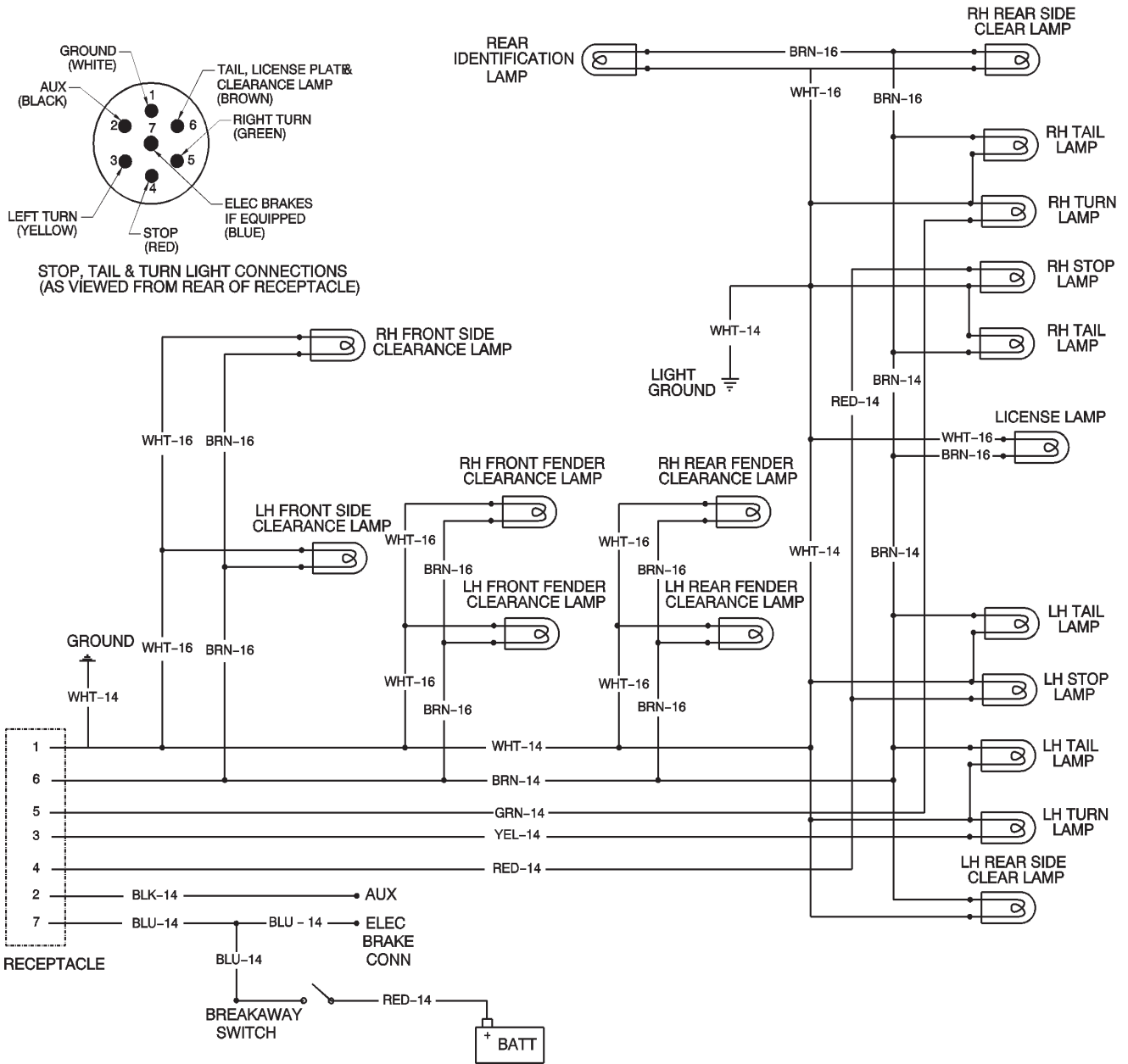
(F)

1. Air Cleaners

22826218\_cp35\_03/06\_A

ITEM	COMM. NO.	DESCRIPTION	QTY	DIMENSIONS/NOTES
A	22806004	Sensor, Temperture 1/2 NPT	2	
B	22769186	Sensor, Coolant Level	1	
C	36504180	Sender, Temperature 0-300° F	2	
D	36870608	Sender, Pressure 150 PSI	1	
E	36757581	Switch, Pressure 12 PSI	1	
F	36847838	Switch, Vacuum	2	
G	22257554	Adapter, M10-1.5 X 1/8" NPT w/ O-Ring	1	
H	22246722	Adapter, 7/16-20 X 1/8" NPT w/ O-Ring	1	

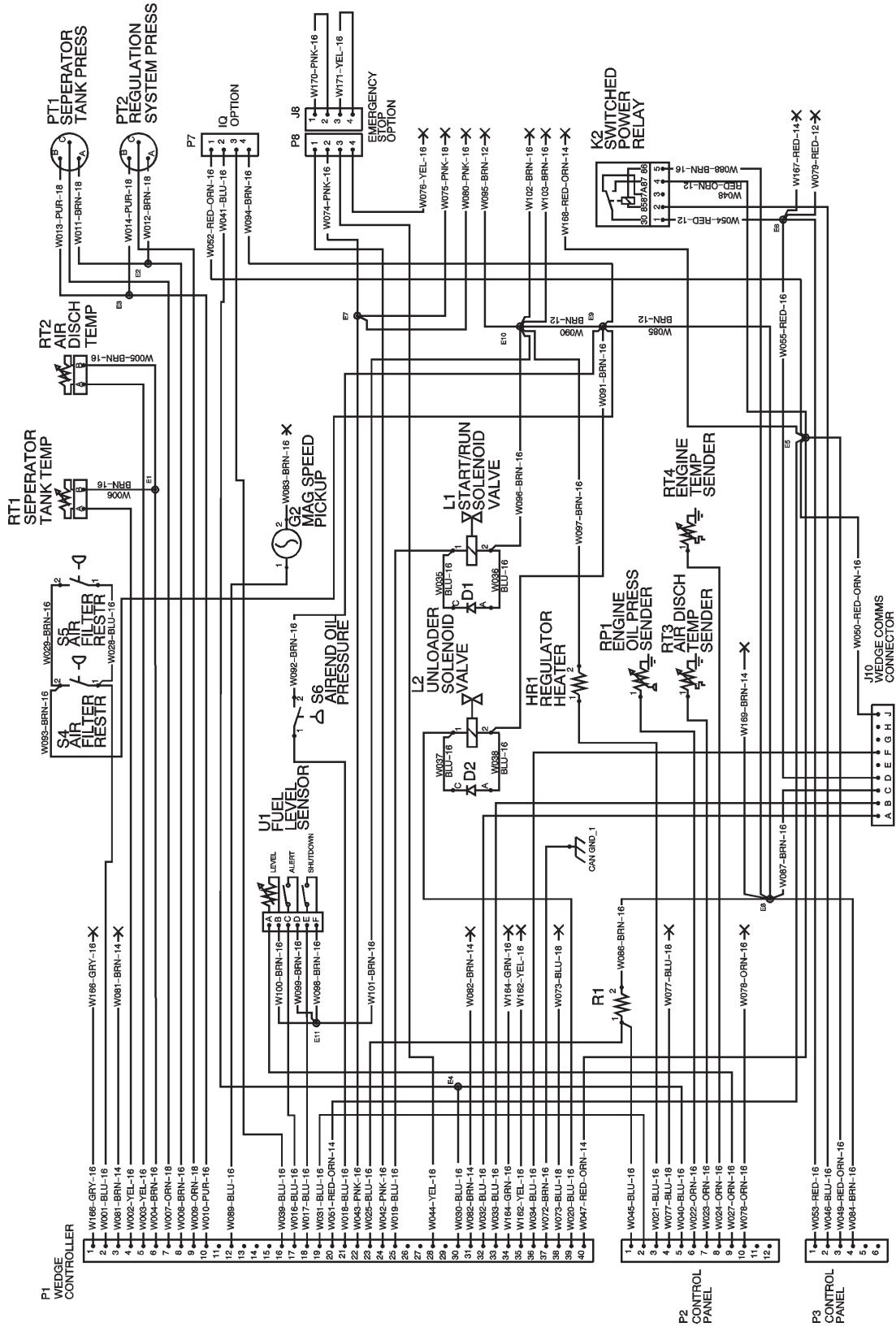
# ELECTRIC BRAKE LIGHT WIRING SCHEMATIC



22826218\_cp39\_03/06\_A

ITEM	COMM. NO.	DESCRIPTION	QTY	DIMENSIONS/NOTES

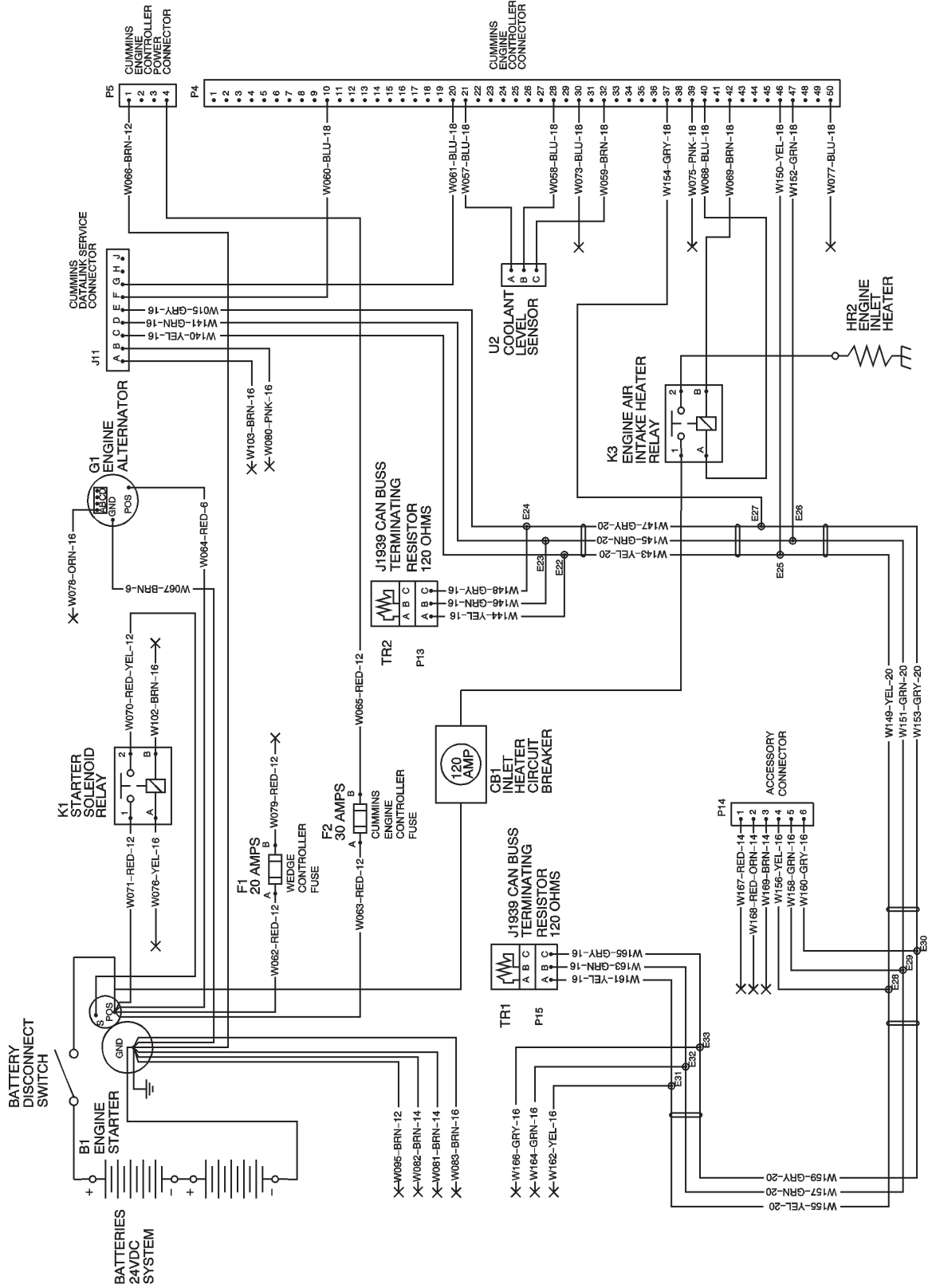
# CHASSIS HARNESS SCHEMATIC



22826218\_cp36\_03/06\_A

ITEM	COMM. NO.	DESCRIPTION	QTY	DIMENSIONS/NOTES

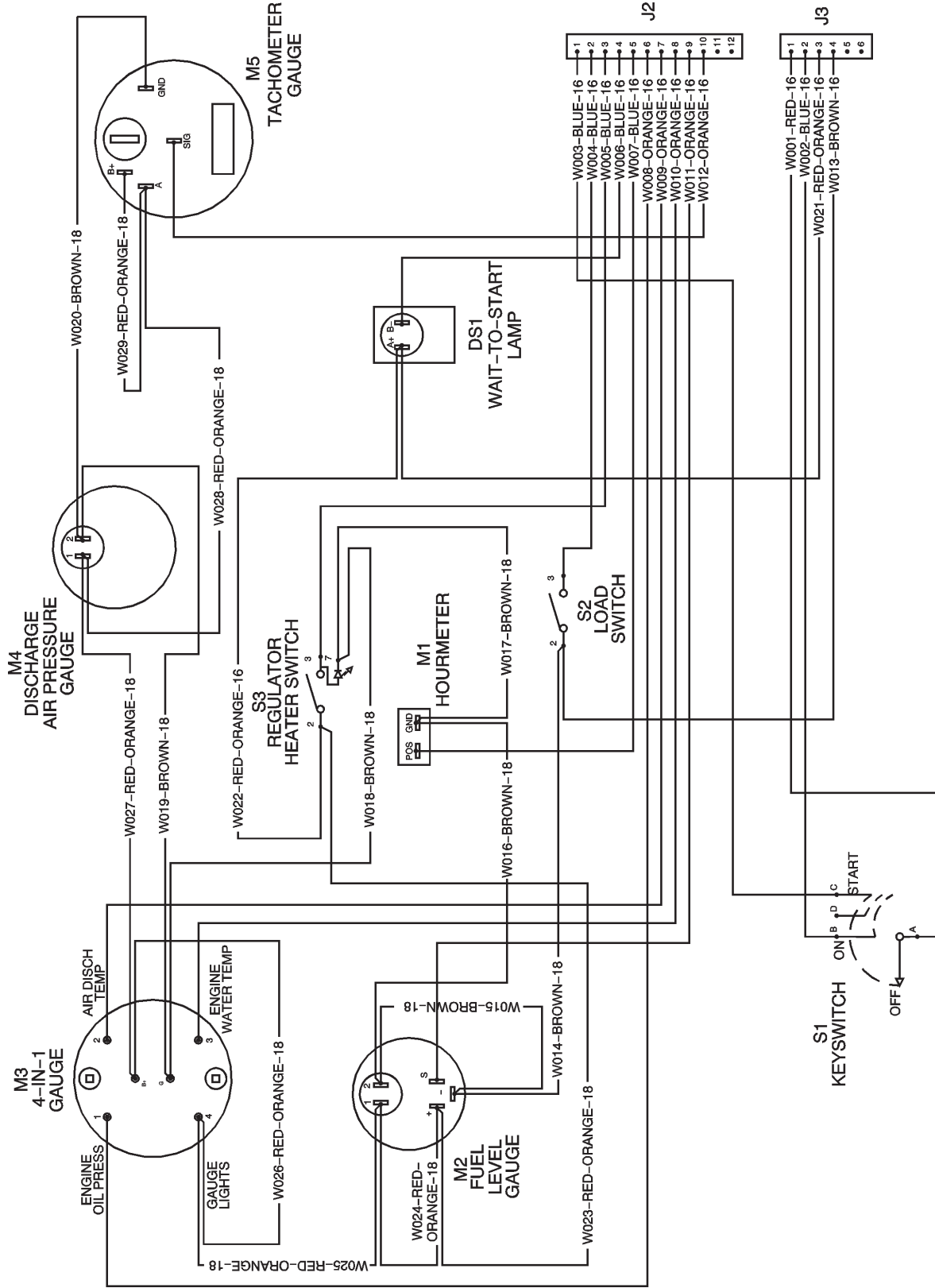
# CHASSIS HARNESS SCHEMATIC cont'd



22826218\_cp37\_03/06\_A

ITEM	COMM. NO.	DESCRIPTION	QTY	DIMENSIONS/NOTES

# INSTRUMENT PANEL HARNESS SCHEMATIC



22826218\_cp38\_03/06\_A

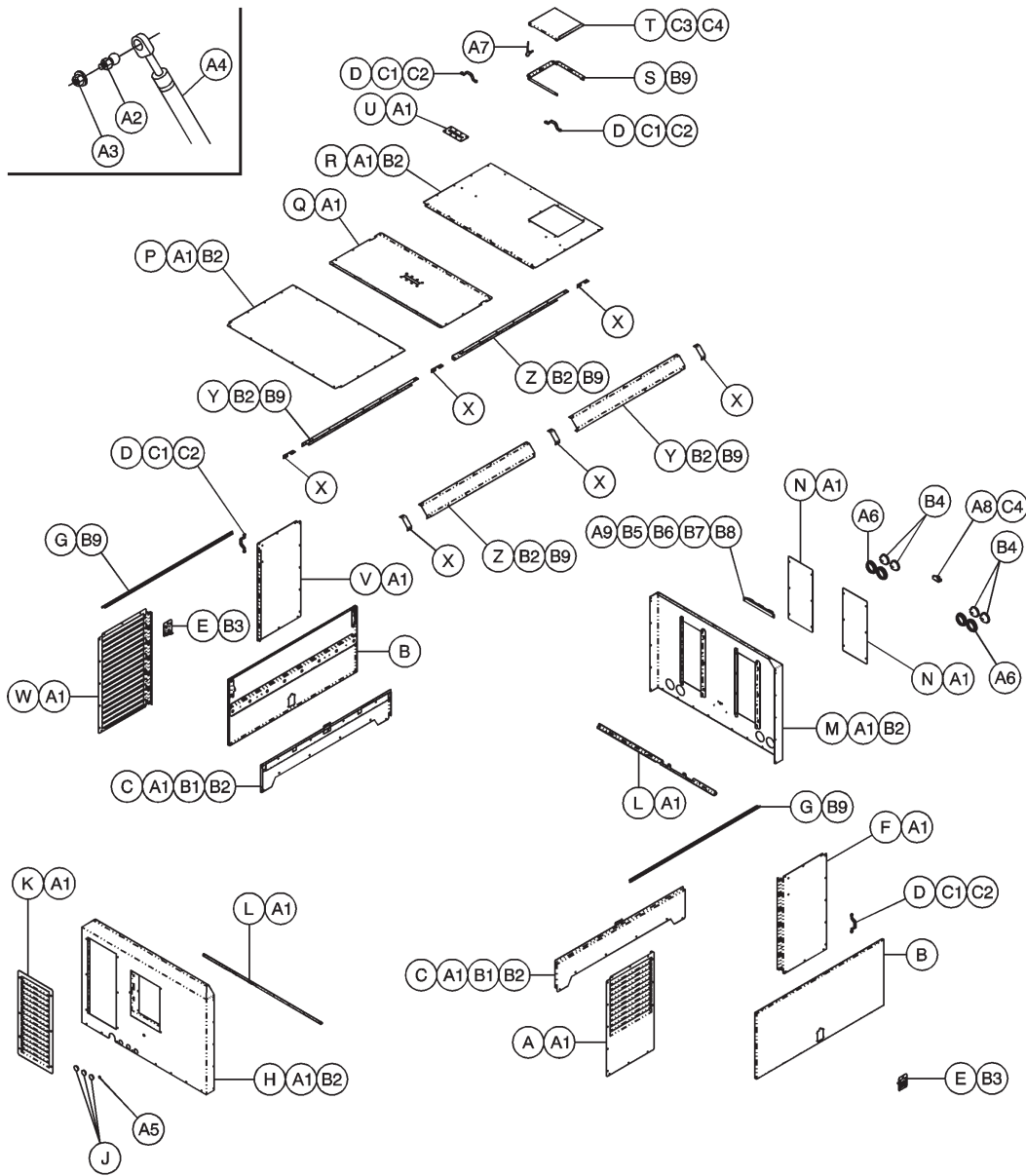
ITEM	COMM. NO.	DESCRIPTION	QTY	DIMENSIONS/NOTES



## CHASSIS HARNESS SCHEMATIC PARTS

ITEM	COMM. NO.	DESCRIPTION	QTY	DIMENSIONS/NOTES
G1	22616965	ALTERNATOR, ENGINE	1	
	36793545	Battery	2	
	35598986	BATTERY CABLE, JUMPER	1	
	36780609	BATTERY CABLE, NEGATIVE	1	
	54765383	BATTERY CABLE, POS JUMPER	1	
	35582410	BATTERY CABLE, POSITIVE	1	
	22101968	CIRCUIT BREAKER, AIR INTAKE HEATER	1	
D1, D2	35376169	DIODE PLUG	2	
M3	22056394	GAUGE, 4-IN-1	1	
M4	36891216	GAUGE, PRESSURE	1	
M2	22692602	GAUGE, FUEL LEVEL	1	
M5	22055883	GAUGE, TACHOMETER	1	
	22132153	GROUND STRAP, ENGINE	1	
	22132153	GROUND STRAP, FRAME	1	
	22785349	HARNESS, AIR INTAKE HEATER	1	
	22784698	HARNESS, INSTRUMENT PANEL	1	
	22770879	HARNESS, MAIN CHASSIS	1	
M1	22054175	HOURMETER	1	
	22633044	INSTRUMENT PANEL ASSEMBLY	1	
DS1	22050553	LAMP, WAIT TO START	1	
K3	36853521	RELAY, AIR INTAKE HEATER	1	
K1	36853521	RELAY, STARTER SOLENOID	1	
K2	36892362	RELAY, SWITCHED POWER	1	
RP1	36870608	SENDER, ENGINE OIL PRESSURE	1	
U1	22155451	SENDER, FUEL LEVEL	1	
RT3	35604180	SENDER, TEMPERATURE A/E	1	
RT4	35604180	SENDER, TEMPERATURE ENGINE	1	
U2	22769186	SENSOR, COOLANT LEVEL	1	
G2	36785319	SENSOR, MAG SPEED	1	
RT2	22806004	SENSOR, TEMPERATURE A/E DISCHG	1	
RT1	22806004	SENSOR, TEMPERATURE SEP TANK	1	
L1	36840841	SOLENOID VALVE, START-RUN	1	
L2	36881944	SOLENOID VALVE, UNLOADER	1	
B1	22345755	STARTER, ENGINE	1	
S4, S5	36847838	SWITCH, AIR FILTER RESTRICTION	2	
S6	36757581	SWITCH, AIREND OIL PRESSURE	1	
	36896975	SWITCH, BATT DISCONNECT	1	
S1	22127385	SWITCH, KEY START	1	
S2	22054076	SWITCH, START-RUN	1	
PT2	36920825	TRANSDUCER, REGULATION PRESSURE	1	
PT1	54496773	TRANSDUCER, SEP TANK PRESSURE	1	
	22173579	WEDGE CONTROLLER	1	
	89303135	OPTION - EMERGENCY STOP CONTACT	2	
	89303127	OPTION - EMERGENCY STOP OPERATOR	1	
	22842256	OPTION - EMERGENCY STOP HARNESS	1	

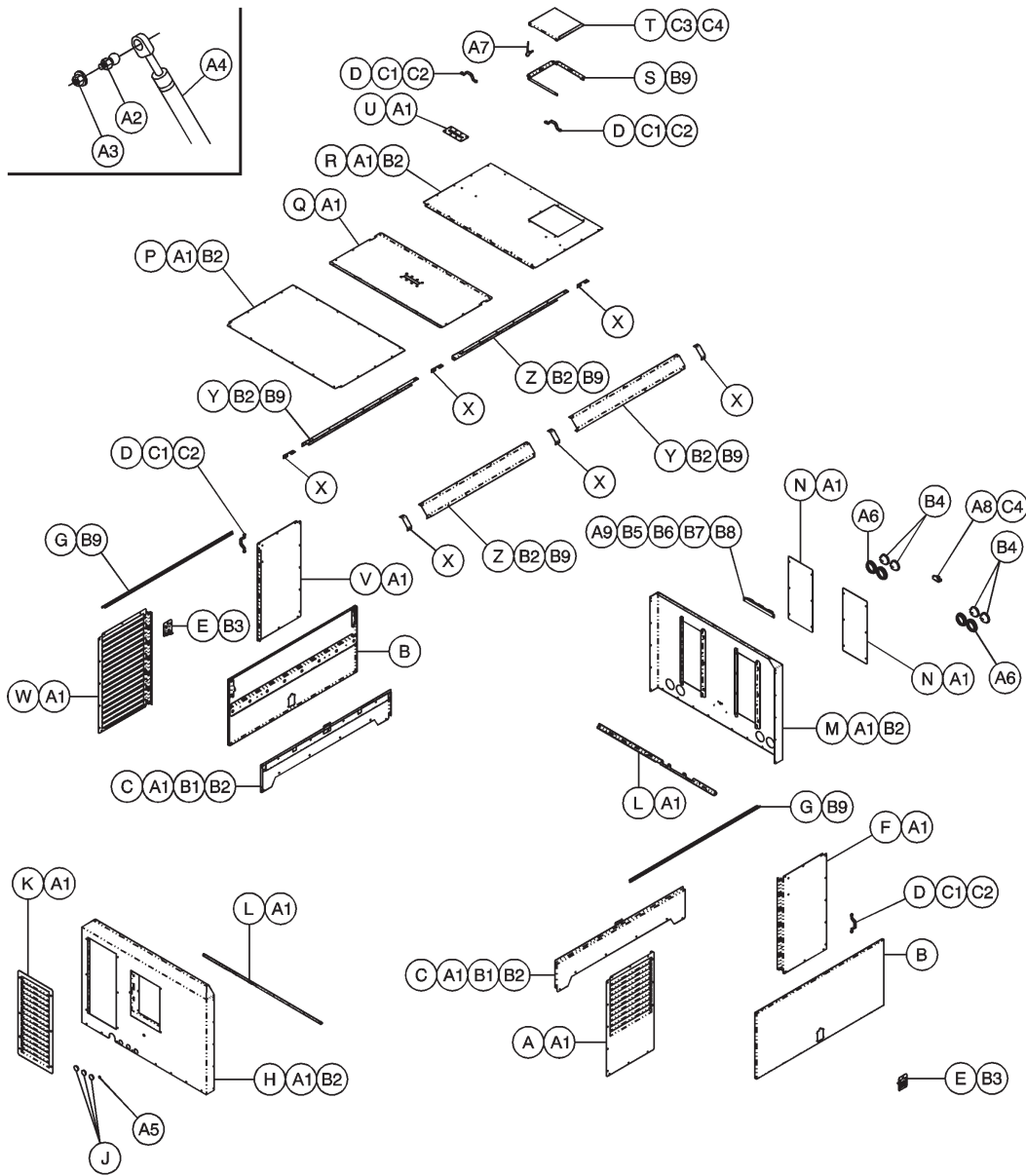
# EXTERNAL ENCLOSURE



22826218\_cp40\_03/06\_A

ITEM	COMM. NO.	DESCRIPTION	QTY	DIMENSIONS/NOTES
A	22201578	Grill, Left Front	1	
B	22211163	Door, Side	2	
C	22208284	Panel, Lower Side	2	
D	35130707	Handle	4	
E	36793602	Latch Assembly	2	
F	22197818	Panel, Left Rear	1	
G	92912419	Hinge, Door	2	
H	22622435	Panel, Front End	1	
J	35310622	Plugs, Hole	3	
K	22202063	Grill, Front End	1	
L	22207930	Brace, End Panel	2	
M	22197479	Panel, Rear End	1	

## EXTERNAL ENCLOSURE cont'd



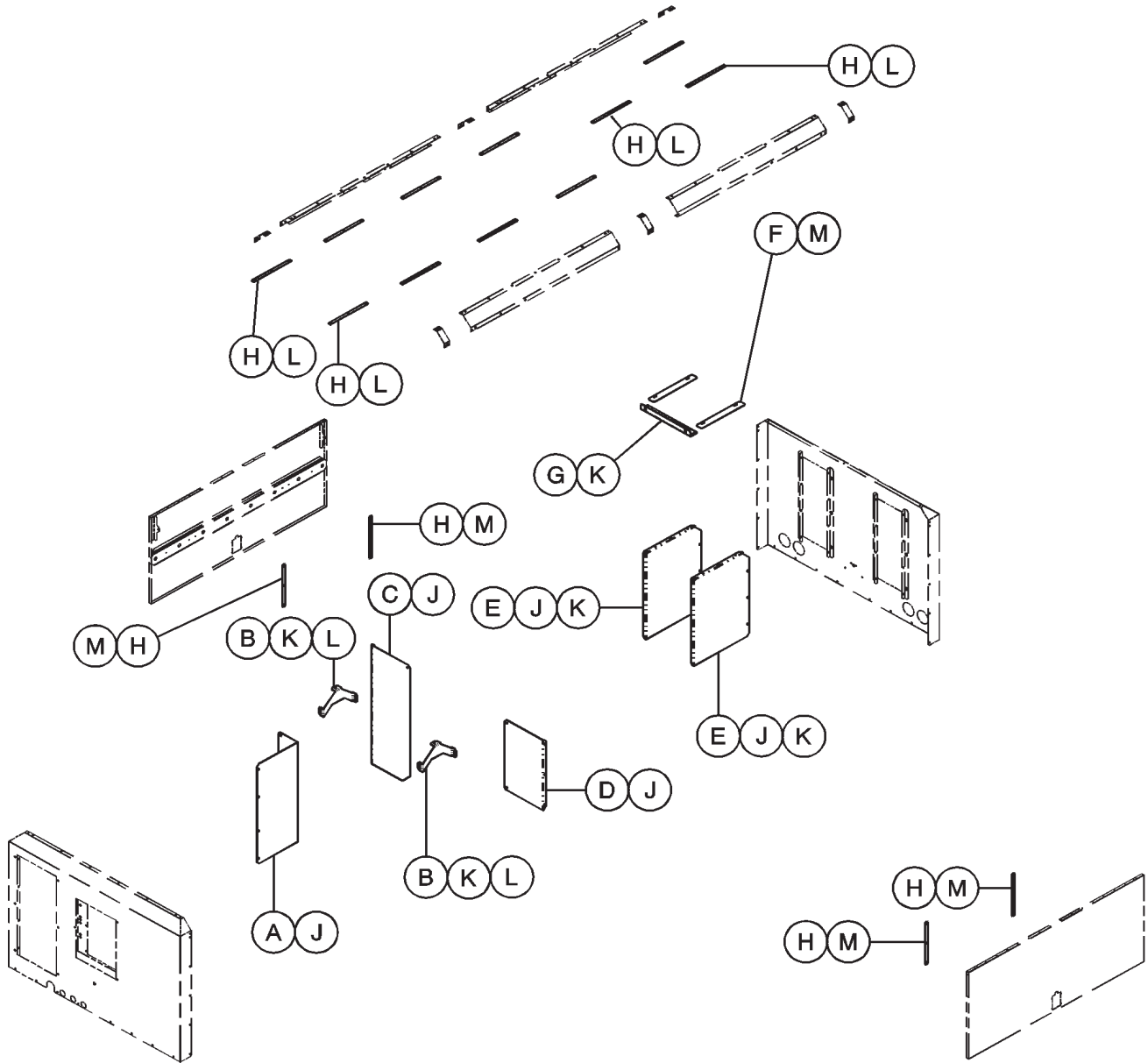
22826218\_cp40\_03/06\_A

ITEM	COMM. NO.	DESCRIPTION	QTY	DIMENSIONS/NOTES
N	22300248	Cover, End Panel	2	
P	22208300	Panel, Front Top	1	
Q	22237564	Panel, Top Middle	1	
R	22199020	Panel, Top Rear	1	
S	22243307	Frame, Door	1	
T	22243273	Door	1	
U	22208946	Cover, Lift Bail	1	
V	22197495	Panel, Right Rear	1	
W	22203681	Grill, Right Front	1	
X	36755742	Filler, Side Rail	6	
Y	22198188	Rail, Top Side	2	
Z	22198444	Rail, Top Side	2	





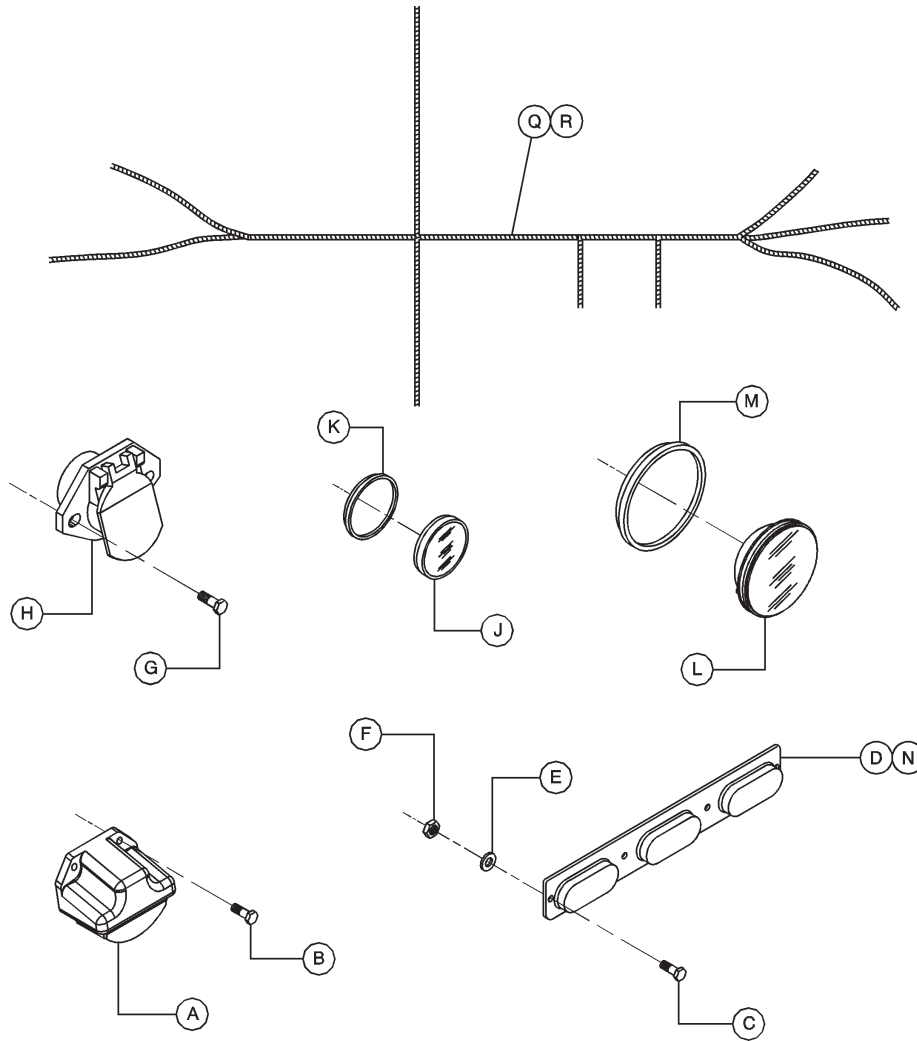
# INTERIOR ENCLOSURE



22826218\_cp41\_03/06\_A

ITEM	COMM. NO.	DESCRIPTION	QTY	DIMENSIONS/NOTES
A	22301089	Baffle, Front Air Intake	1	
B	22336184	Bracket, Intake Baffle	2	
C	22301048	Baffle, Right Front Air Intake	1	
D	22301097	Baffle, Left Front Air Intake	1	
E	22301105	Baffle, Exhaust	2	
F	22301717	Plate, Baffle	2	
G	22301113	Bracket, Baffle Mounting	1	
H	54718184	Strap, Foam Retention	15	
J	36895746	Nutsert, Hex M08	20	
K	35279025	Screw, Tapping M08 - 1.25 X 20	12	
L	54519202	Screw, Slotted Hex 1/4-10 X 3/4" Type AB	13	
M	36797652	Screw, Tapping M06-1.0 X 12	8	

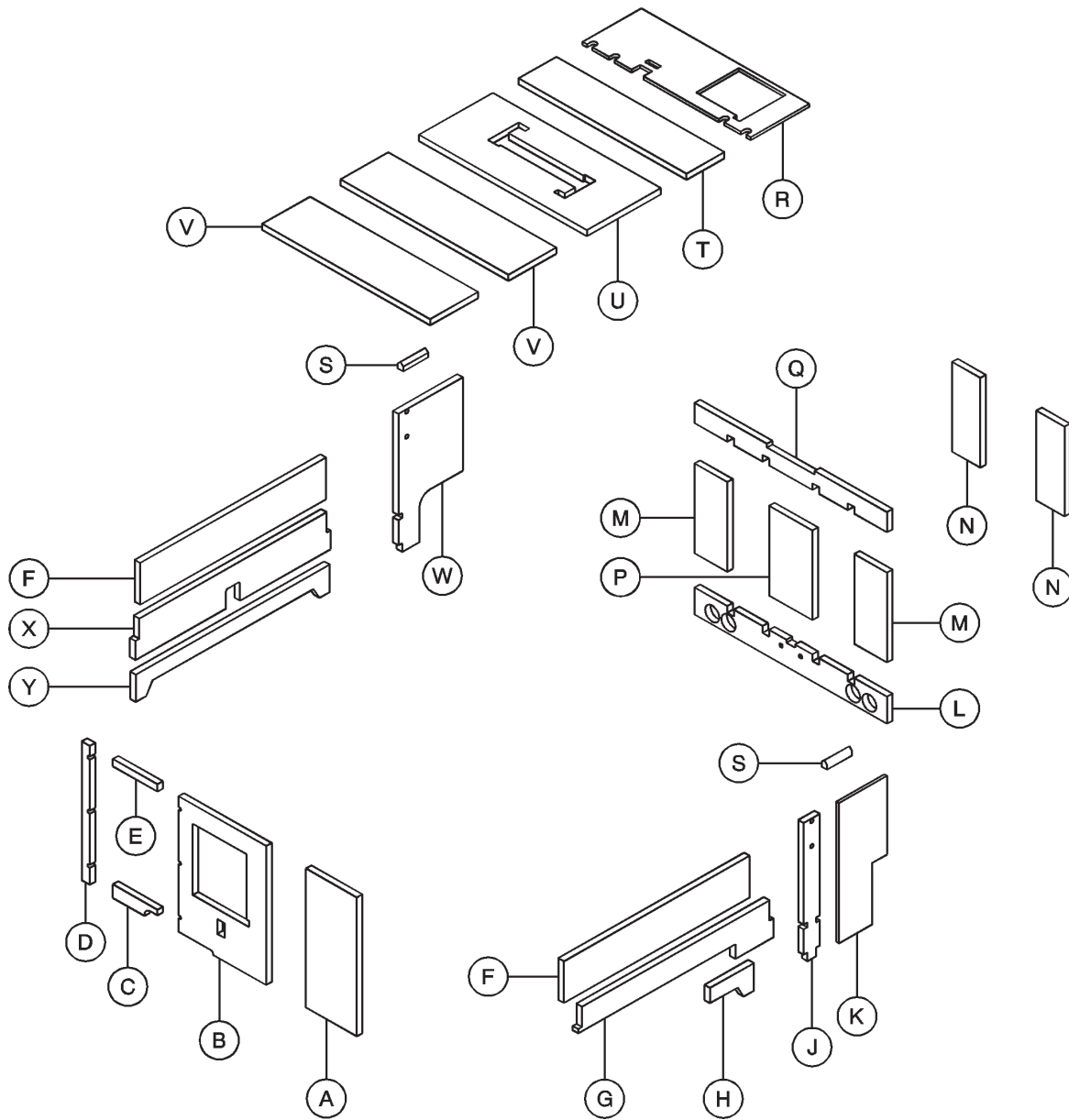
## LIGHTS and CONNECTOR



22826218\_cp42\_03/06\_A

ITEM	COMM. NO.	DESCRIPTION	QTY	DIMENSIONS/NOTES
A	36881910	Light, License Plate	1	
B	35300771	Screw, Tapping M06-1.0 X 20	2	
C	95922134	Screw, Slotted Rd Head #10-24 X 1"	2	
D	36922144	3 - Light Assembly	1	
E	95938692	Washer, External Tooth Lock	2	
F	35265388	Nut, Hex Lock Washer #10-24	2	
G	35279025	Screw, Tapping M08 - 1.25 X 20	2	
H	36894129	Connector, 7 - Way	1	
J	35367044	Red Light Assembly	4	
	35367051	Yellow Light Assembly	4	
K	36893634	Grommet	8	
L	36788081	Stop, Turn, Tail Light Assembly	4	
M	36787968	Grommet, Screw	4	
N	35306141	Connector	1	
P	36794774	Grommet, License Plate Screw	2	Not Shown
Q	35225077	Clamp, Support	11	
R	22747786	Harness, Electric Brake Light	1	

## EXTERNAL ENCLOSURE FOAM INSULATION

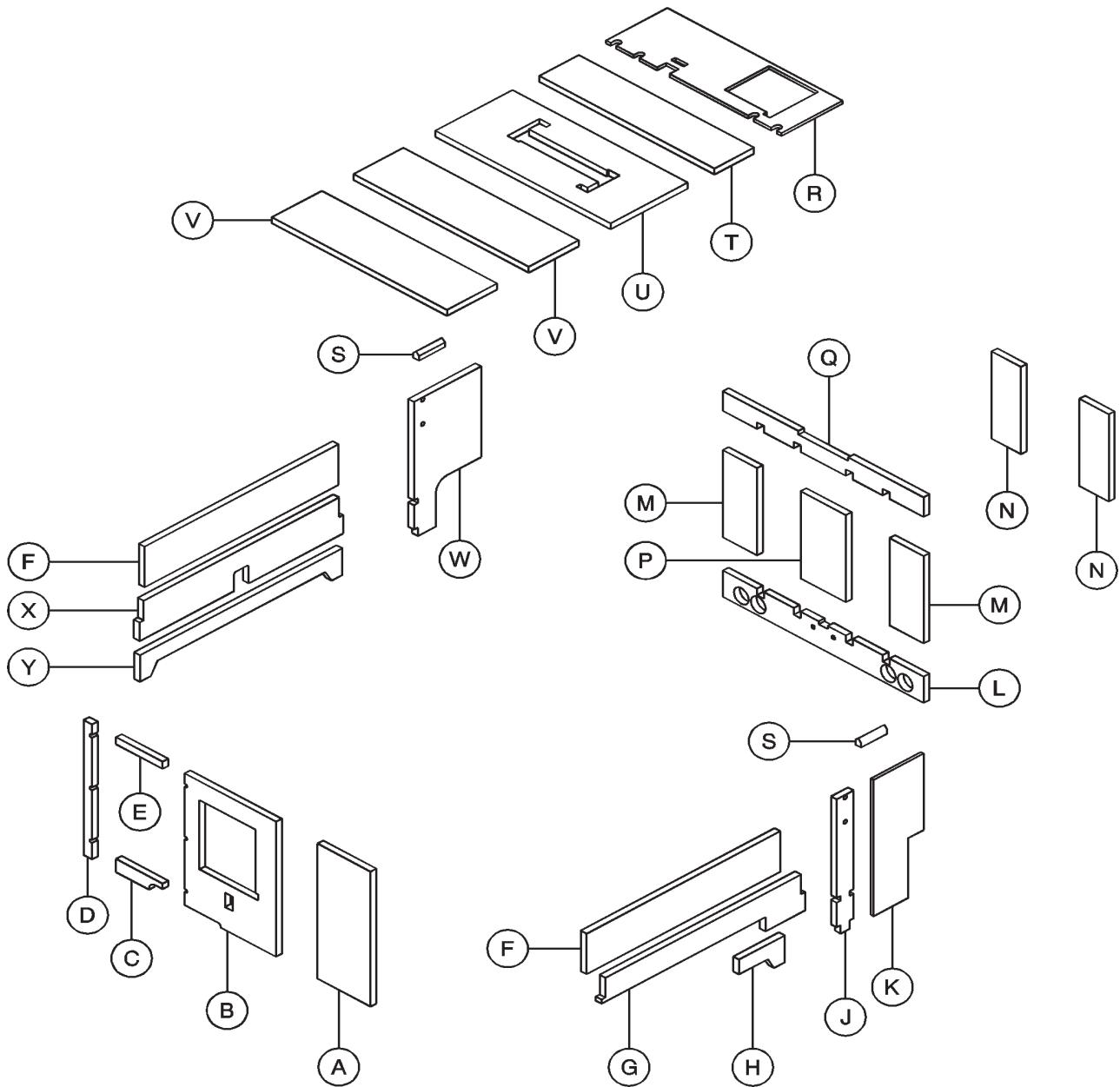


22826218\_cp43\_03/06\_A

ITEM	COMM. NO.	DESCRIPTION	QTY	DIMENSIONS/NOTES
A	22305536	Foam, Front	1	
B	22674014	Foam, Front	1	
C	22252282	Foam, Front	1	
D	22252308	Foam, Front	1	
E	22252290	Foam, Front	1	
F	22252191	Foam, Door	2	
G	22255707	Foam, Left Door	1	
H	22252373	Foam, Left Side	1	
J	22305973	Foam, Left Side	1	
K	22252365	Fiberglass, Left Side	1	
L	22252340	Foam, Rear	1	
M	22252316	Foam, Rear	2	



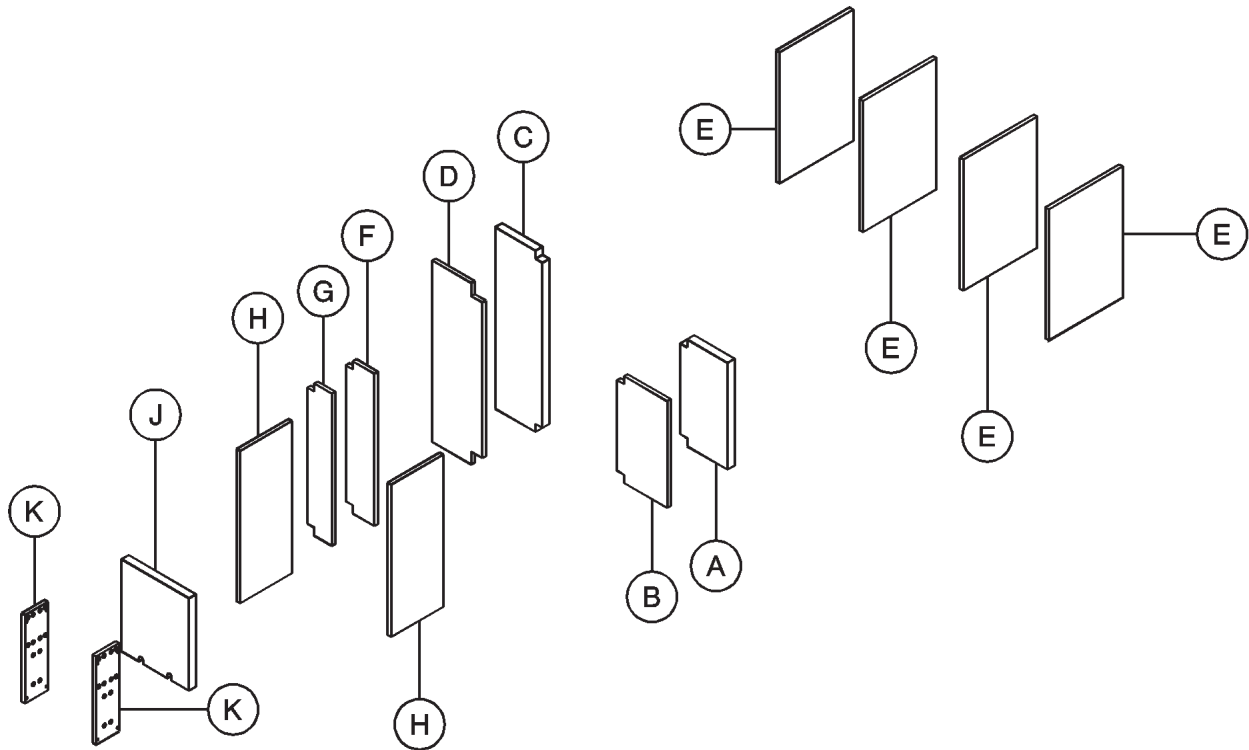
EXTERNAL ENCLOSURE FOAM INSULATION cont'd



22826218\_cp43\_03/06\_A

ITEM	COMM. NO.	DESCRIPTION	QTY	DIMENSIONS/NOTES
N	22305528	Foam, Rear	2	
P	22252324	Foam, Rear	1	
Q	22252357	Foam, Rear	1	
R	22745467	Foam, Top	1	
S	22745558	Foam, Top	2	
T	22252241	Foam, Top	1	
U	22252233	Foam, Top	1	
V	22252258	Foam, Top	2	
W	22252399	Foam, Right Side	1	
X	22252209	Foam, Right Door	1	
Y	22252381	Foam, Right Side	1	

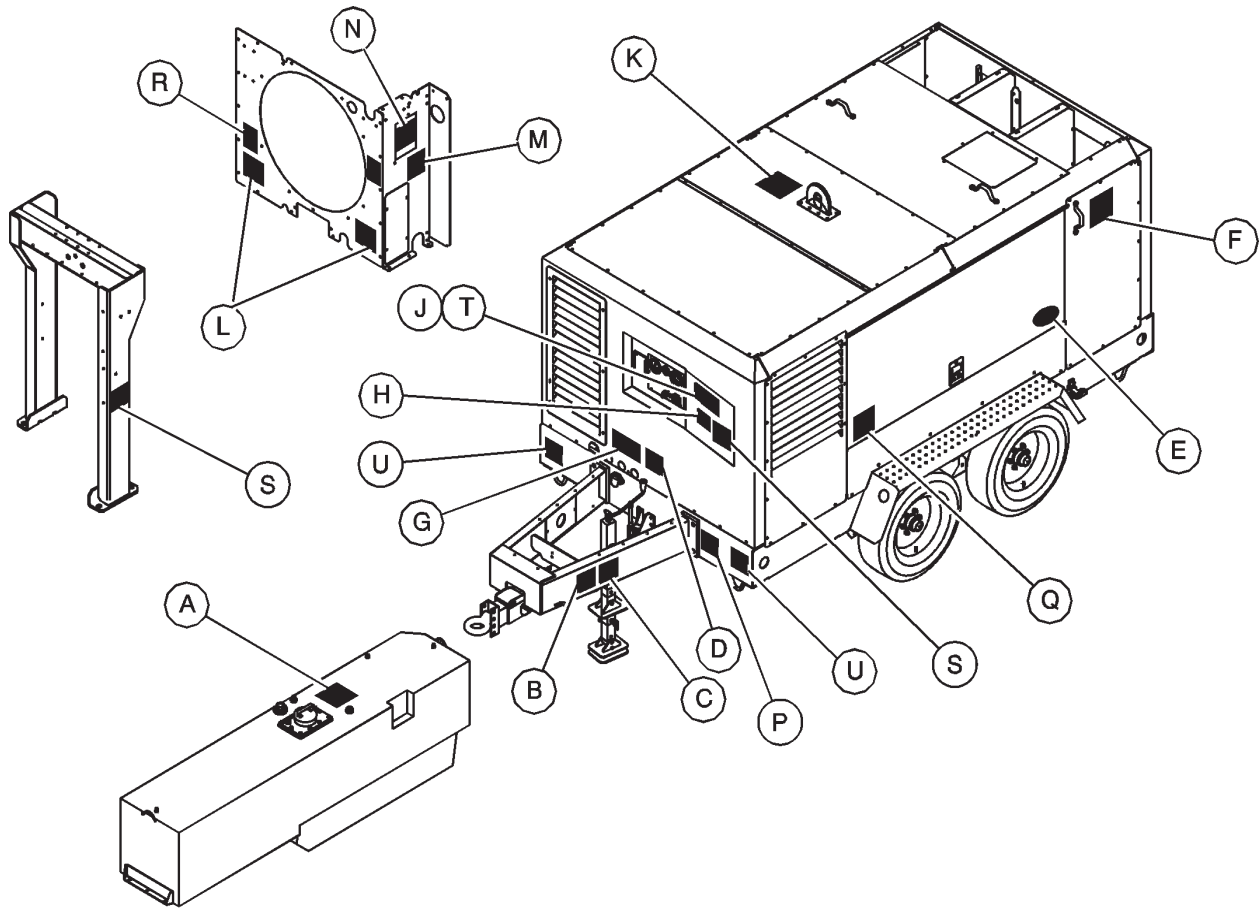
## INTERNAL ENCLOSURE FOAM INSULATION



22826218\_cp44\_03/06\_A

ITEM	COMM. NO.	DESCRIPTION	QTY	DIMENSIONS/NOTES
A	22305544	Foam, Front	1	
B	22306062	Foam, Front	1	
C	22306112	Foam, Baffle	1	
D	22306120	Foam, Baffle	1	
E	22305551	Foam, Baffle	4	
F	22306096	Foam, Baffle	1	
G	22306104	Foam, Baffle	1	
H	22306088	Foam, Baffle	2	
J	22674022	Foam, Inst. Panel	1	
K	22736607	Foam, Inst. Panel	2	

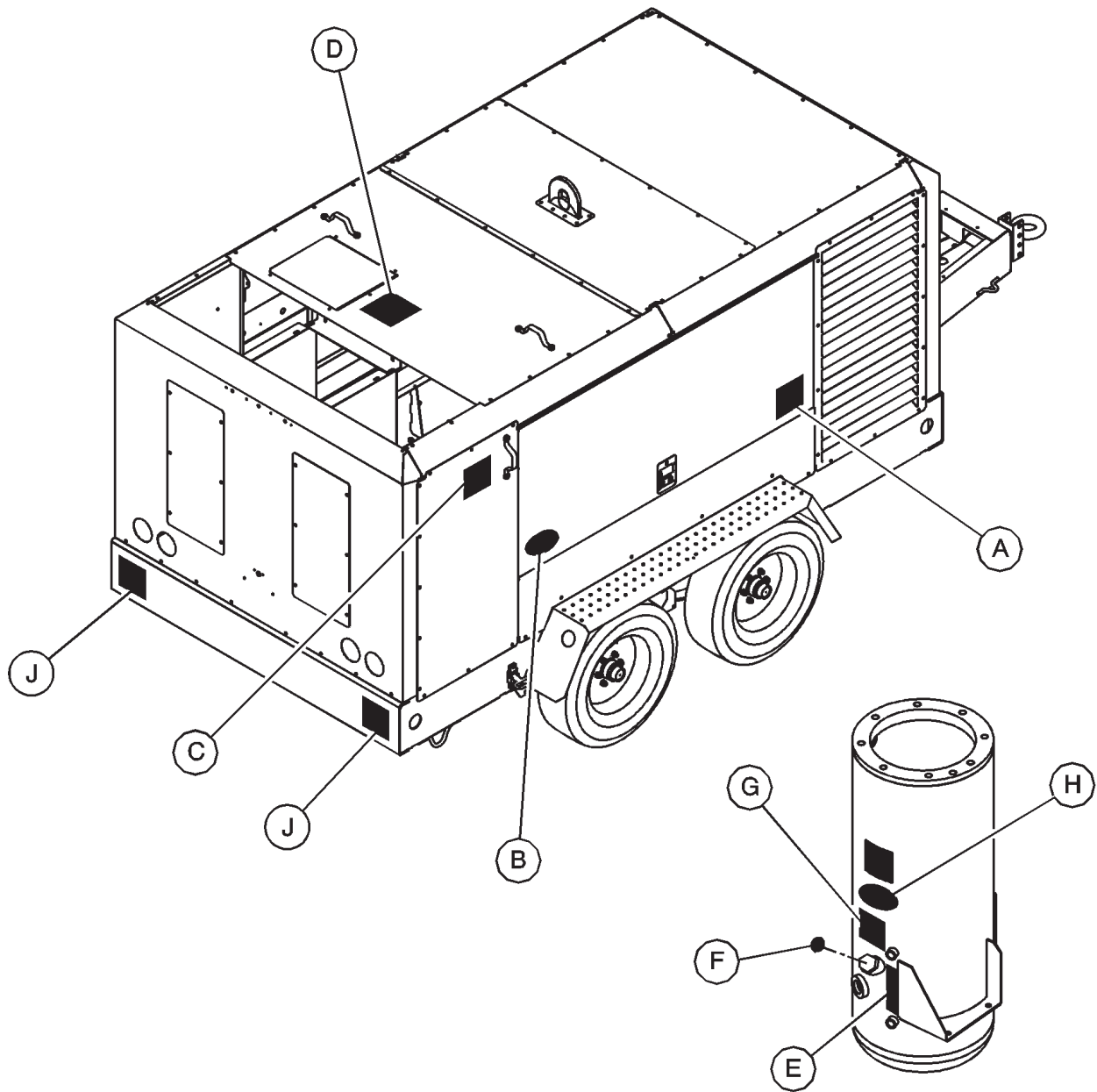
## STREET SIDE DECAL LOCATION



22826218\_cp45\_03/06\_A

ITEM	COMM. NO.	DESCRIPTION	QTY	DIMENSIONS/NOTES
A	54625207	Diesel Fuel Decal	1	
B	54604921	Tow Chains Decal	1	
C	54568803	Collapsing Jack Decal	1	
D	36514602	Noise Emission Decal	1	
E	54640024	Genuine Parts Decal	1	
F	22298343	Fall Off Unit Decal	1	
G	54629902	3 - Part Warning Decal	1	
H	54568787	Improper Operation Decal	1	
J	22155600	Operating Instructions Decal	1	
K	54699400	Lifting Point Decal	1	
L	54568779	Rotating Fan Decal	2	
M	36529691	Clean Coolers Decal (Both Sides)	2	
N	22334916	Hot Surface Decal	1	
P	36531176	Vin Decal	1	
Q	54413117	Galvaneal Decal (Galvaneal Option)	1	
R	54568753	Battery Gas Decal	1	
S	54454756	No Ether Decal	2	
T	22299051	Operating Instructions Symbols	1	
U	54749205	No Weld Decal	2	

## CURB SIDE DECAL LOCATION



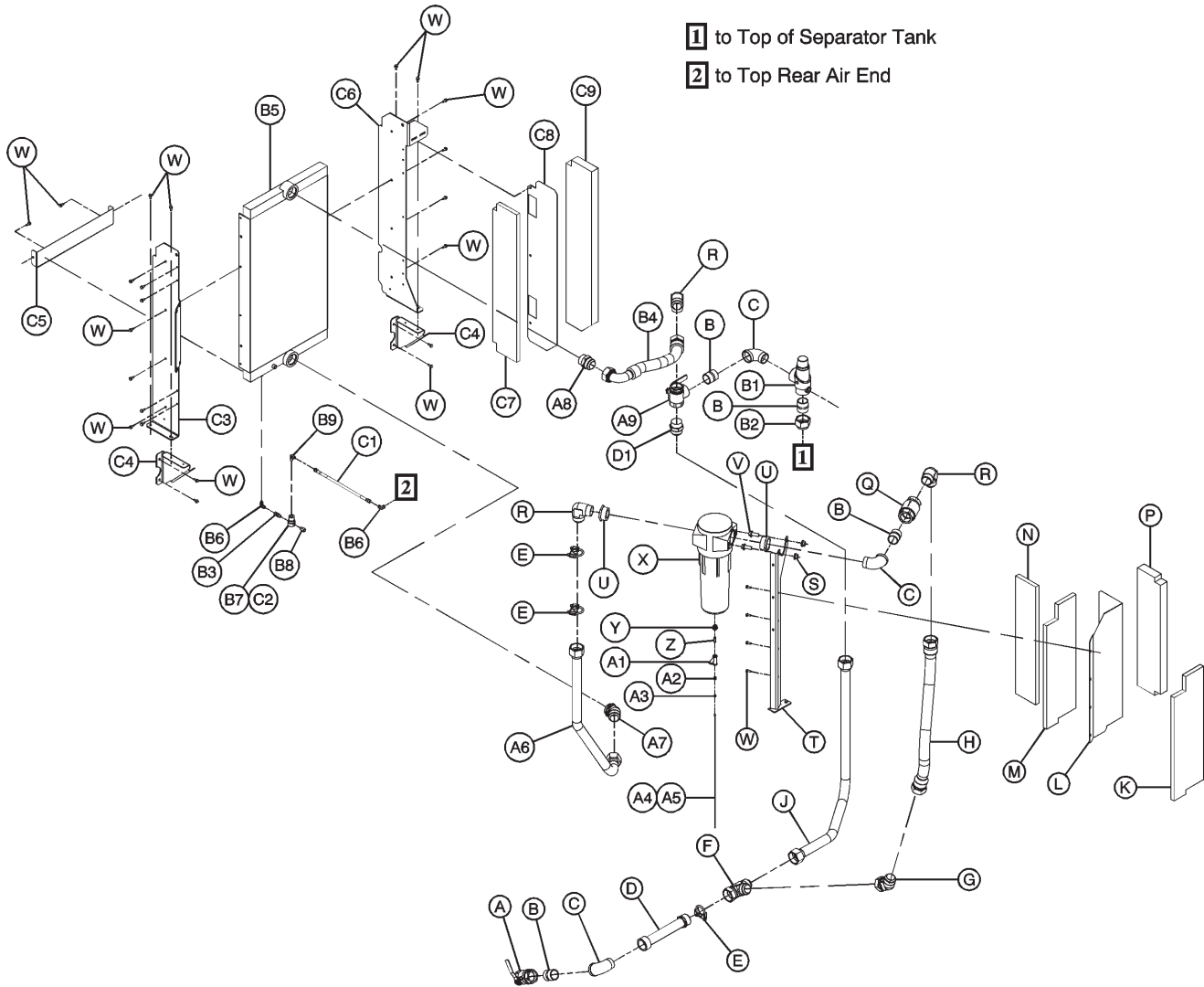
22826218\_cp46\_03/06\_A

ITEM	COMM. NO.	DESCRIPTION	QTY	DIMENSIONS/NOTES
A	54413117	Galvaneal Decal (Galvaneal Option)	1	
B	54640024	Genuine Parts Decal	1	
C	22298343	Fall Off Unit Decal	1	
D	54568761	Hot Pressurized Fluid Decal	1	
E	22383319	Oil Level Decal	1	
F	54604970	Oil Fill Plug Decal	1	
G	54568795	High Pressure Air Decal	1	
H	54640164	Air End Warranty Decal	1	
J	54749205	No Weld Decal	2	

## **Section C - OPTION PARTS**



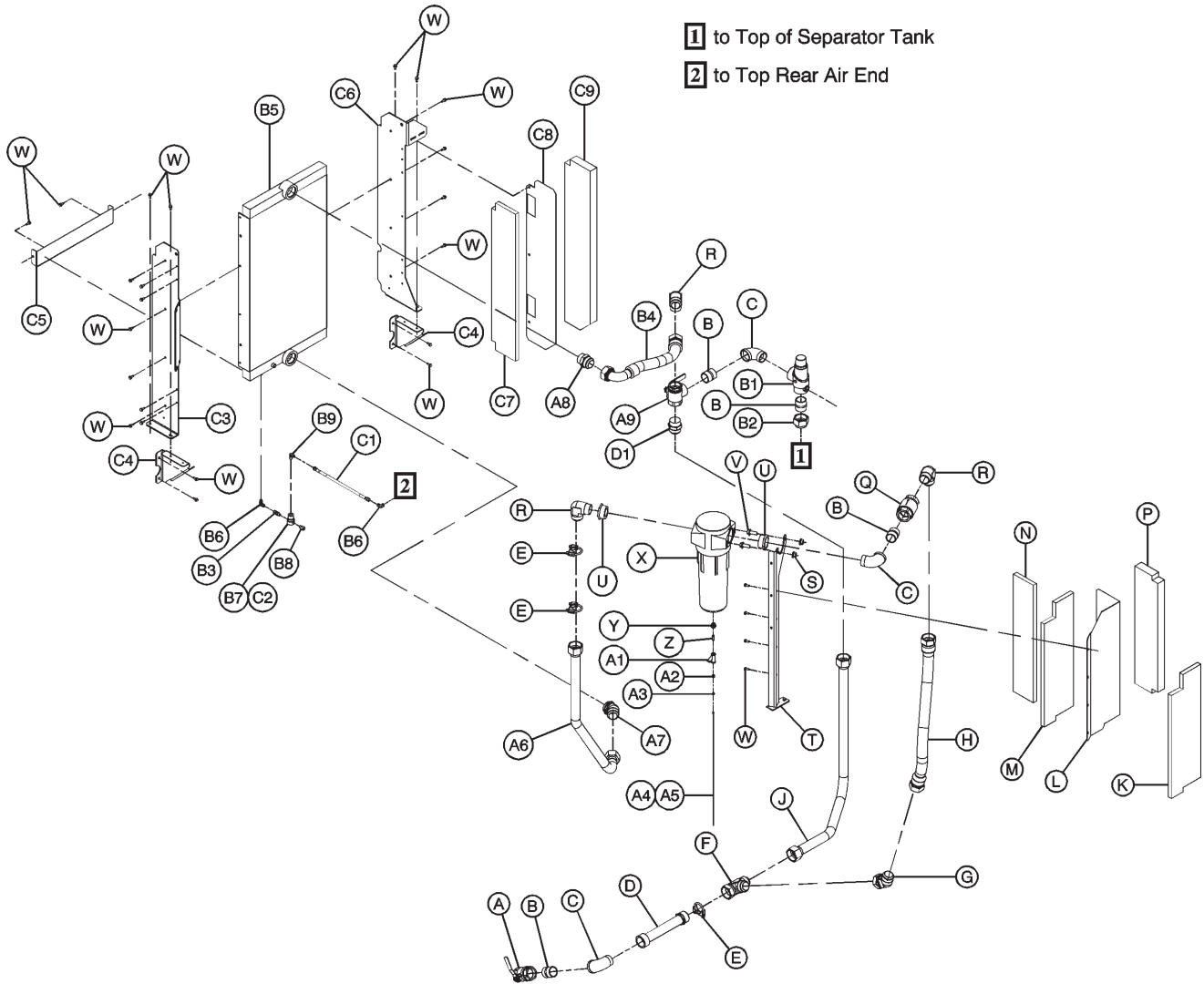
## AFTERCOOLER with WATER SEPARATOR



22826218\_option\_op01\_03/06\_A

ITEM	COMM. NO.	DESCRIPTION	QTY	DIMENSIONS/NOTES
A	35602473	Valve, 2" NPT Ball	1	
B	95953790	Nipple, Short 2" NPT X 2.50"	4	
C	95944674	Elbow, Street 90° 2" NPT	3	
D	22223879	Tube Assembly	1	
E	35192178	Clamp, Saddle 2.0"	3	
F	95976965	Tee, -32 JIC Swivel Nut Run	1	
G	95871448	Elbow, 45° -32 JIC Swivel Nut	1	
H	35256122	Hose Assembly	1	
J	22223853	Tube Assembly, Service	1	
K	22414742	Foam, Acoustic	1	
L	22390447	Baffle, Air Intake	1	
M	22414734	Foam, Acoustic	1	
N	22414726	Foam, Acoustic	1	

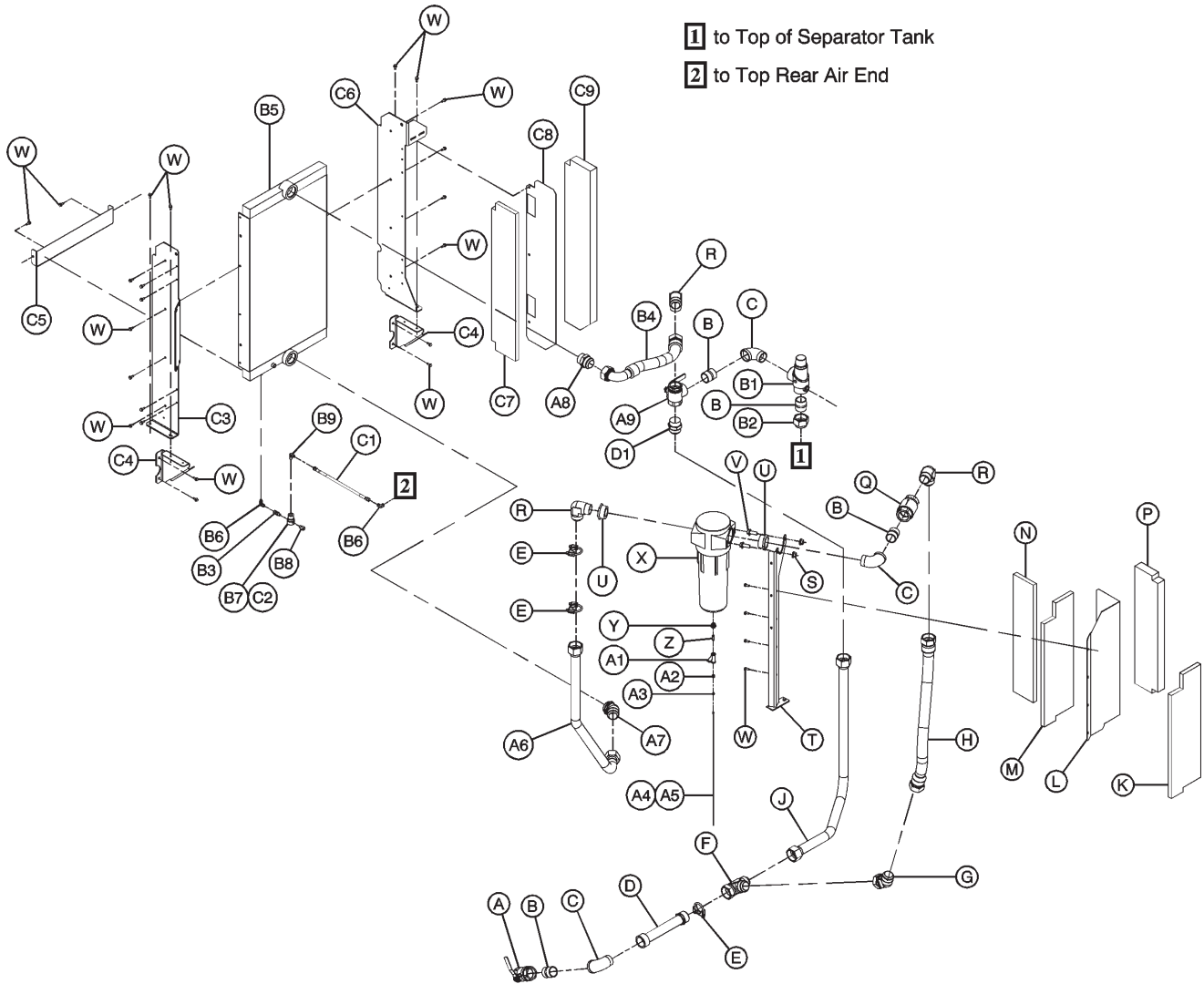
## AFTERCOOLER with WATER SEPARATOR cont'd



22826218\_option\_op01\_03/06\_A

ITEM	COMM. NO.	DESCRIPTION	QTY	DIMENSIONS/NOTES
P	22414718	Foam, Acoustic	1	
Q	36920221	Valve, Check	1	
R	36786127	Elbow, 90° 2" NPT X -32 Jic	3	
S	36879211	Nut, Hex Flange M16-2.0	2	
T	22393292	Support, Water Separator	1	
U	95953907	Bushing, Reducing 2.5" NPT X 2.0" NPT	2	
V	35375385	Screw, Hex M16-2.0 X 40	2	
W	35279025	Screw, Tapping M08 - 1.25 X 20	27	
X	22231971	Water Separator	1	
Y	95245353	Bushing, Reducing 1/2" NPT X 3/8" NPT	1	
Z	95772562	Nipple, Close 3/8" NPT X 1.0"	1	
A1	36844579	Y-Strainer, 3/8" NPT	1	
A2	95940748	Bushing, Reducing 3/8" NPT X 1/4" NPT	1	

## AFTERCOOLER with WATER SEPARATOR cont'd

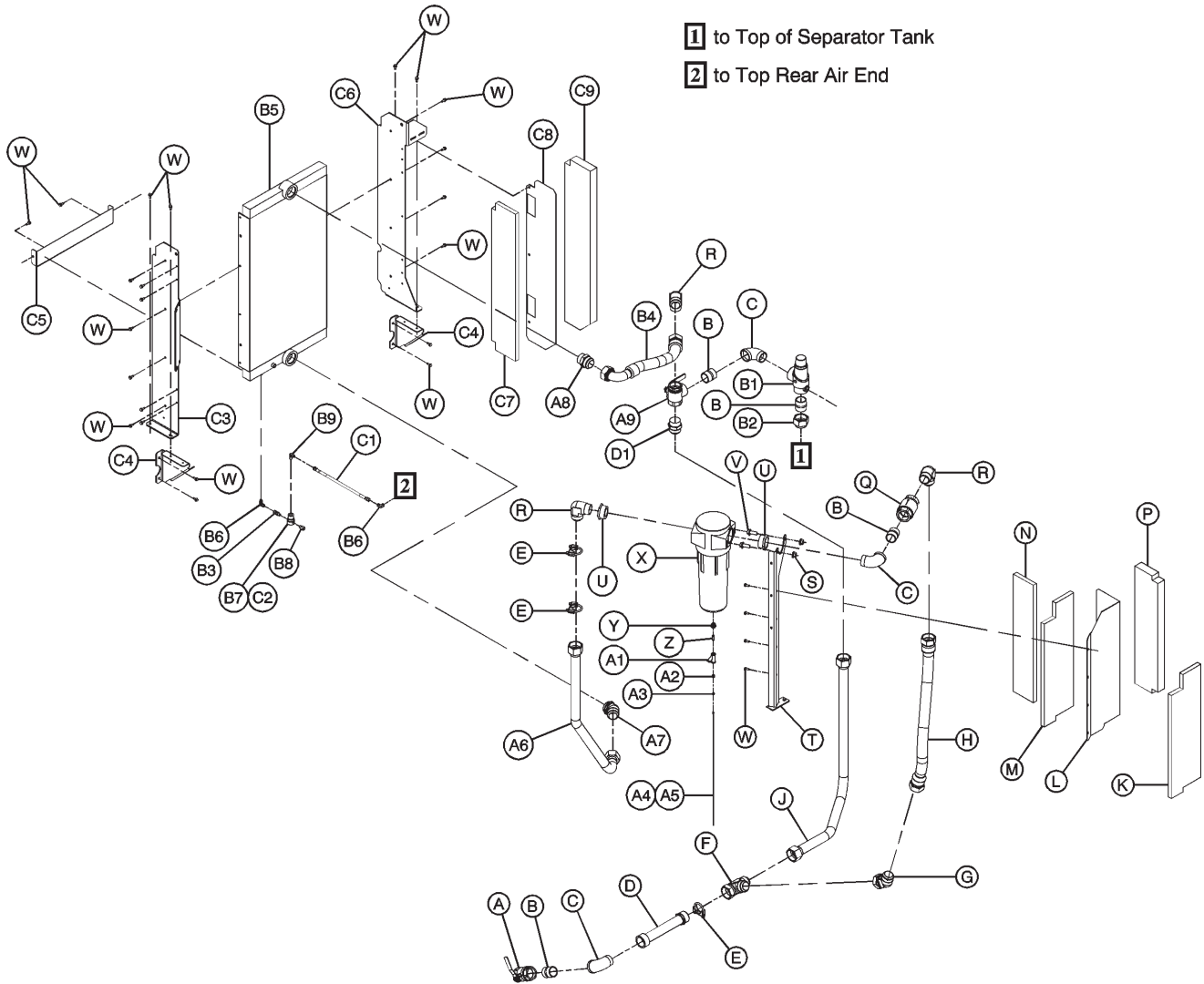


22826218\_option\_op01\_03/06\_A

ITEM	COMM. NO.	DESCRIPTION	QTY	DIMENSIONS/NOTES
A3	37081528	Orifice, .063"	1	
A4	35369347	Connector, Male 1/4" NPT X 3/8" Tube	1	
A5	35356484	Tubing, 3/8" Synflex	50"	
A6	22223861	Tube Assembly	1	
A7	95944732	Elbow, 45° 2.5-12 X -32 JIC	1	
A8	35356500	Connector, 2.5-12 X -32 JIC	1	
A9	36922987	Valve, 3-Way	1	
B1	22217848	Valve, Minimum Pressure	1	
B2	95944641	Adapter, 2.5-12 X 2.0" NPT	1	
B3	35367846	Connector, 1/4" NPT X -6 JIC	1	
B4	22410211	Hose Assembly	1	
B5	22222442	Aftercooler	1	
B6	35279827	Elbow, 90° 9/16-18 X -6 JIC	2	



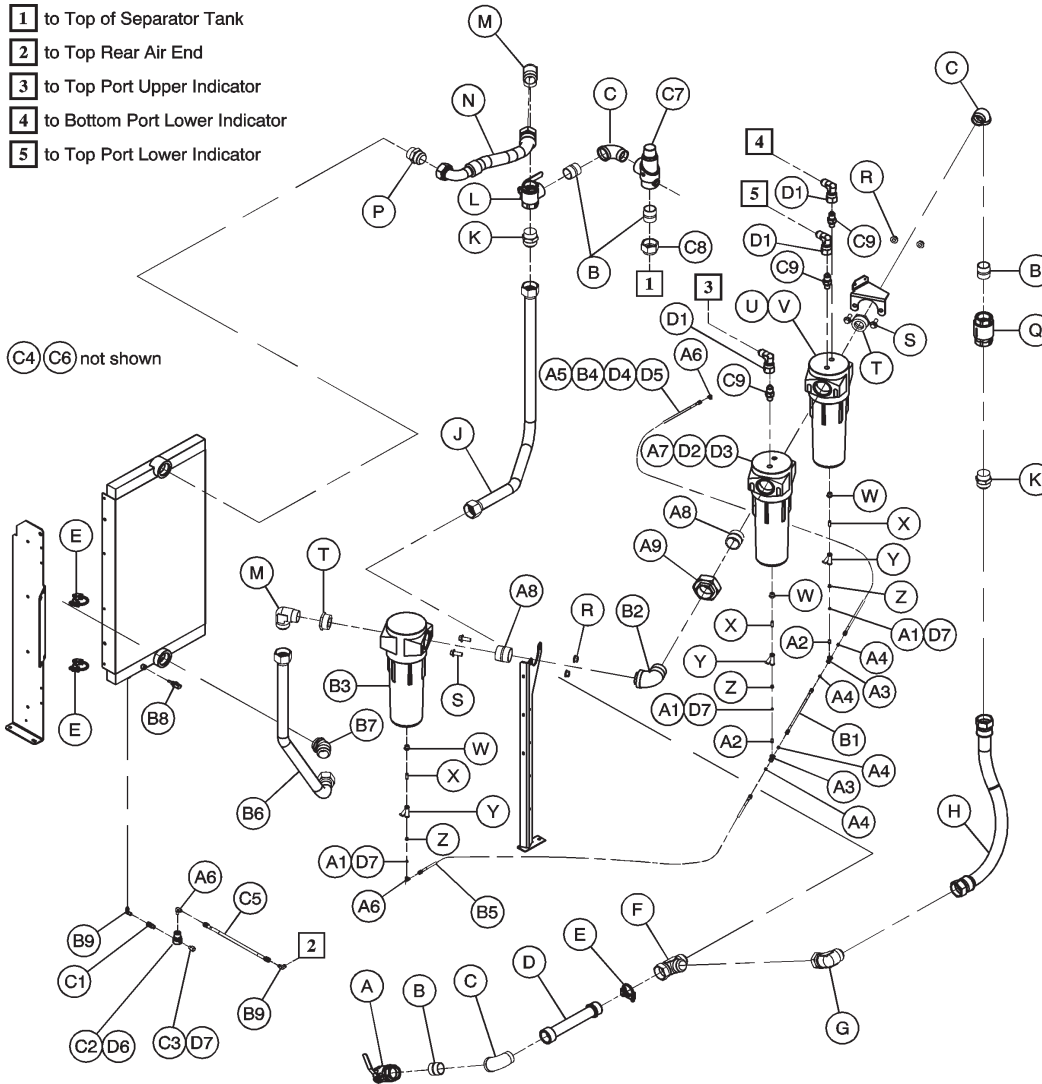
## AFTERCOOLER with WATER SEPARATOR cont'd



22826218\_option\_op01\_03/06\_A

ITEM	COMM. NO.	DESCRIPTION	QTY	DIMENSIONS/NOTES
B7	35322379	Valve, Blowdown	1	
B8	35248319	Orifice, .094"	1	
B9	35279934	Elbow, 90° 1/4" NPT X -6 JIC	1	
C1	35284538	Hose Assembly	1	
C2	35379064	Kit, Diaphragm Repair	AR	
C3	22390421	Support, Aftercooler	1	
C4	22395420	Support, Aftercooler	2	
C5	22395321	Baffle, Air Restriction	1	
C6	22390439	Support, Aftercooler	1	
C7	22414767	Foam, Acoustic	1	
C8	22395586	Baffle, Air Intake	1	
C9	22414759	Foam, Acoustic	1	
D1	35335124	Connector, Male 2" NPT X -32 JIC	1	

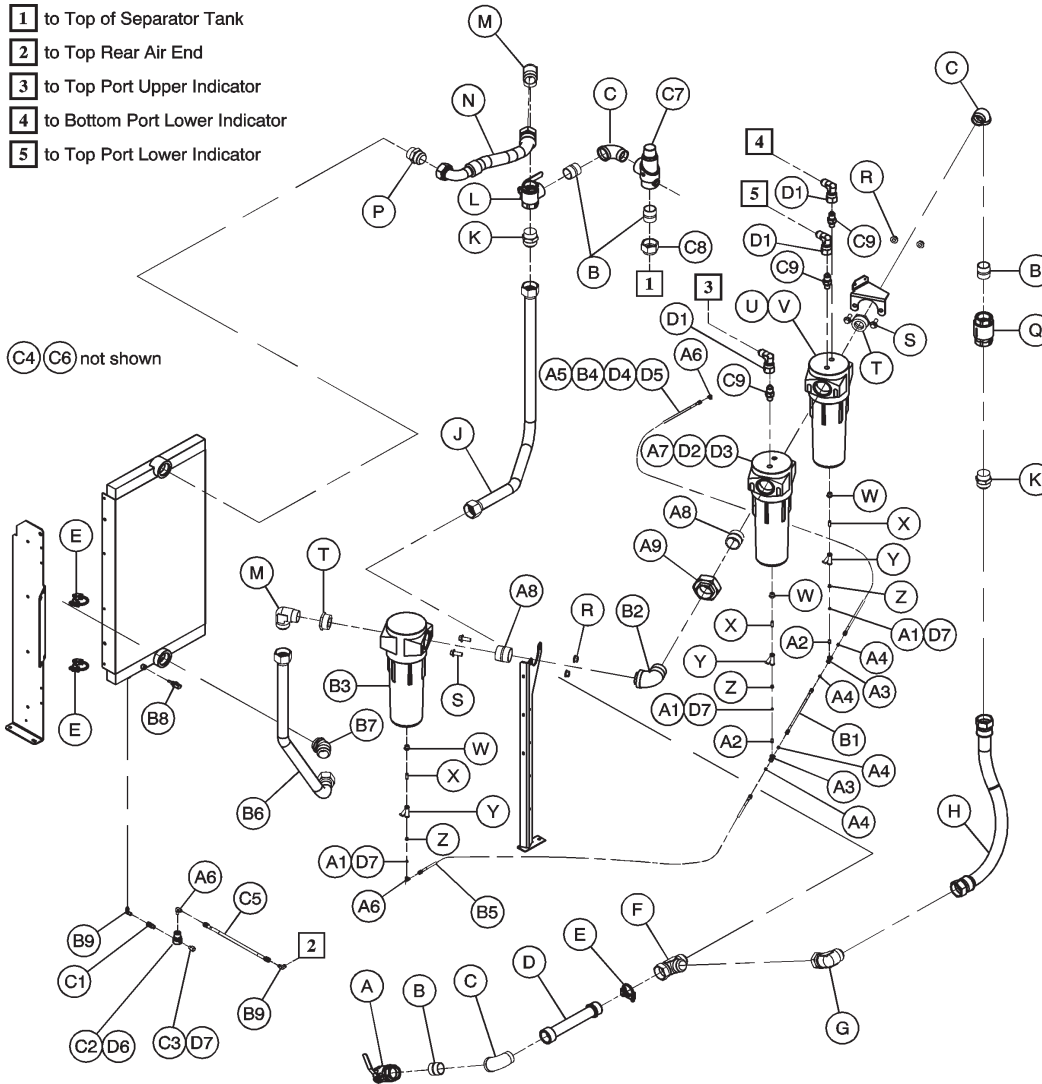
## IQ AFTERCOOLER PIPING



22826218\_option\_op02\_03/06\_A

ITEM	COMM. NO.	DESCRIPTION	QTY	DIMENSIONS/NOTES
A	35602473	Valve, 2" NPT Ball	1	
B	95953790	Nipple, Short 2" NPT X 2.50"	4	
C	95944674	Elbow, Street 90° 2" NPT	3	
D	22223879	Tube Assembly	1	
E	35192178	Clamp, Saddle 2.0"	3	
F	95976965	Tee, -32 JIC Swivel Nut Run	1	
G	95928313	Elbow, 90° -32 JIC Swivel Nut	1	
H	54718754	Hose Assembly	1	
J	22223853	Tube Assembly, Service	1	
K	35335124	Connector, Male 2" NPT X -32 JIC	2	
L	36922987	Valve, 3-Way	1	
M	36786127	Elbow, 90° 2" NPT X -32 Jic	2	
N	22410211	Hose Assembly	1	
P	35356500	Connector, 2.5-12 X -32 JIC	1	
Q	36920221	Valve, Check	1	

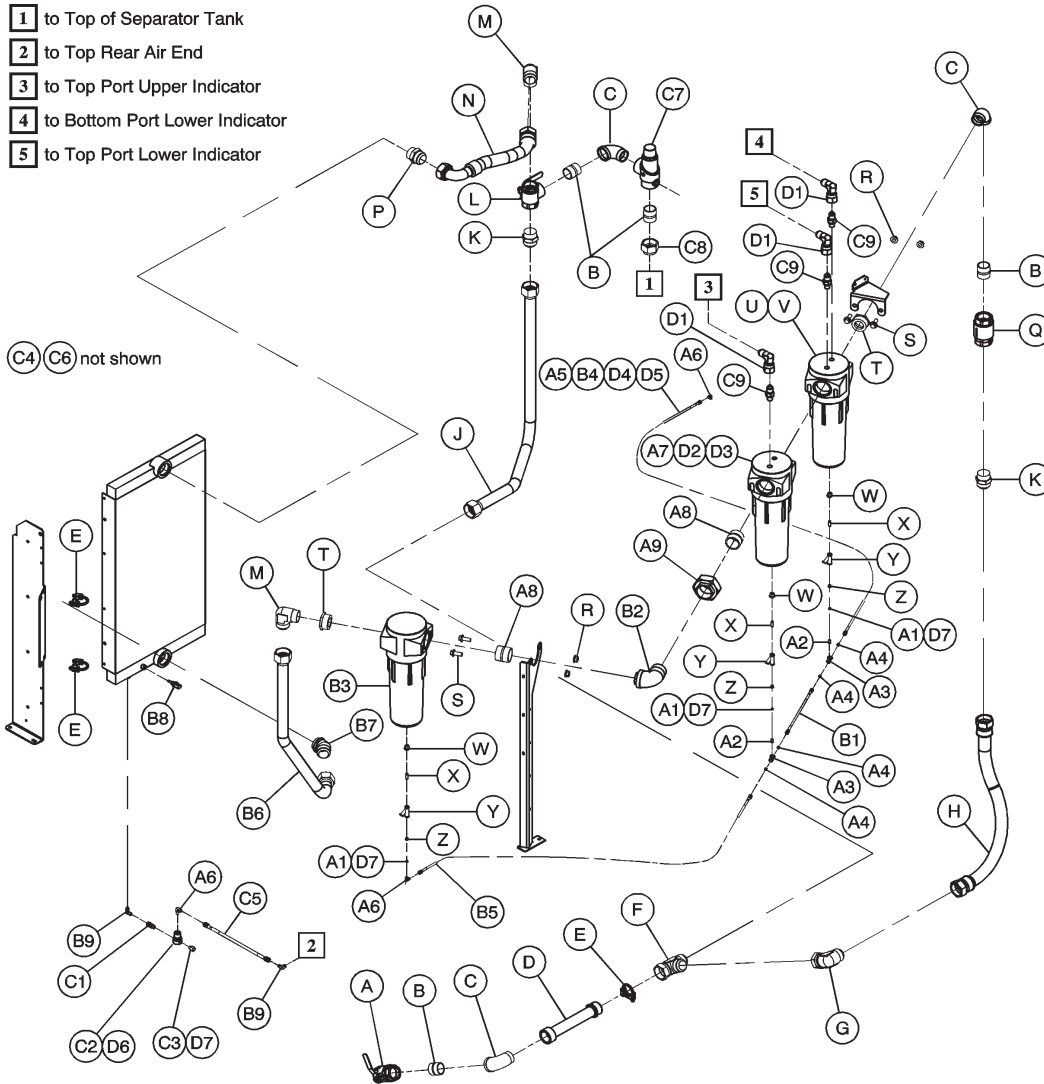
## IQ AFTERCOOLER PIPING cont'd



22826218\_option\_op02\_03/06\_A

ITEM	COMM. NO.	DESCRIPTION	QTY	DIMENSIONS/NOTES
R	36879211	Nut, Hex Flange M16-2.0	4	
S	35375385	Screw, Hex M16-2.0 X 40	4	
T	95953907	Bushing, Reducing 2.5" NPT X 2.0" NPT	2	
U	22231997	Filter, Secondary	1	
V	22108823	Element, Secondary Filter	AR	
W	95245353	Bushing, Reducing 1/2" NPT X 3/8" NPT	3	
X	95772562	Nipple, Close 3/8" NPT X 1.0"	3	
Y	36844579	Y-Strainer, 3/8" NPT	3	
Z	95940748	Bushing, Reducing 3/8" NPT X 1/4" NPT	3	
A1	37081528	Orifice, .063"	3	
A2	95452025	Nipple, 1/4" NPT X 7/8"	2	
A3	36882223	Tee, Pipe 1/4" NPT	2	
A4	35284082	Connector, 1/4" NPT X -6 JIC	4	
A5	35284546	Hose Assembly	1	
A6	35279934	Elbow, 90° 1/4" NPT X -6 JIC	3	

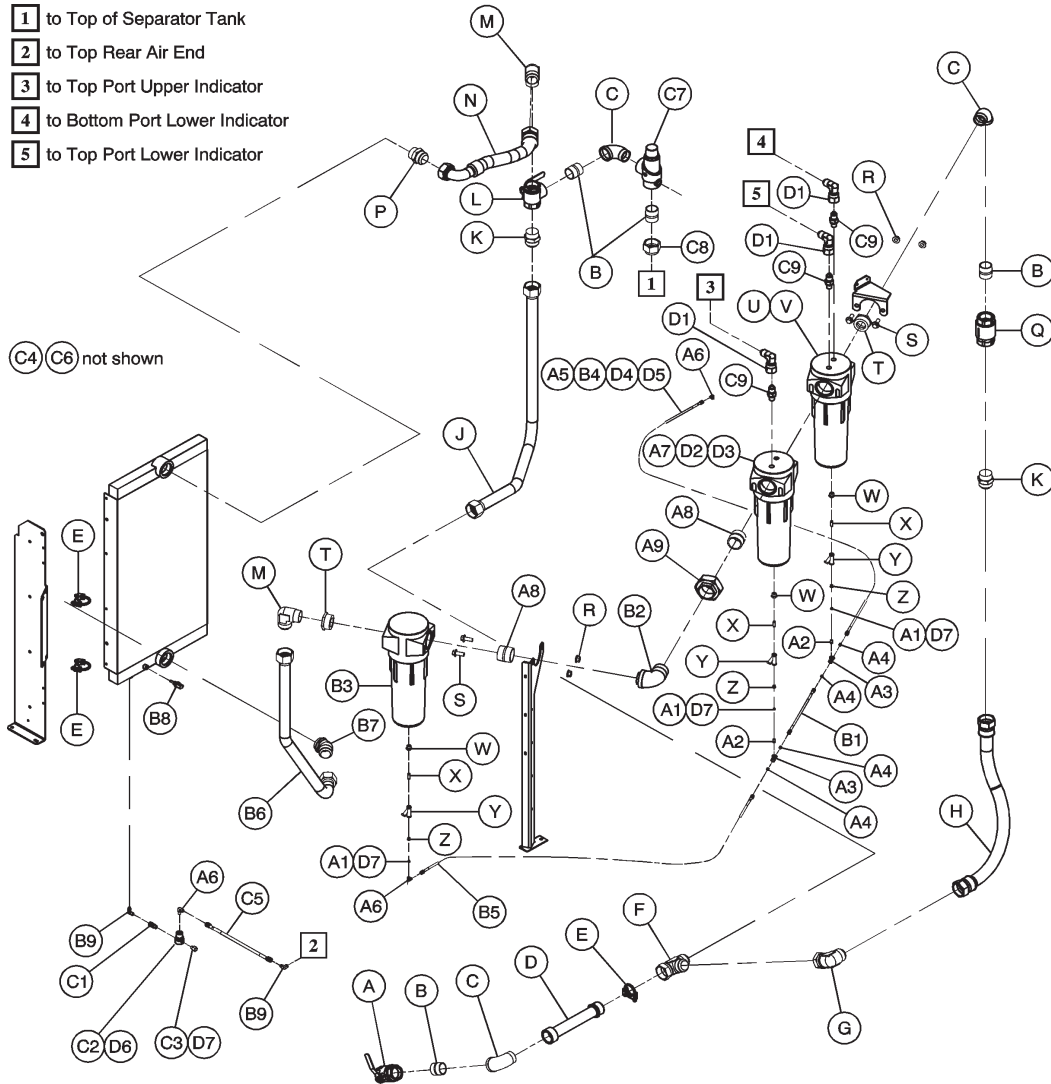
## IQ AFTERCOOLER PIPING cont'd



22826218\_option\_op02\_03/06\_A

ITEM	COMM. NO.	DESCRIPTION	QTY	DIMENSIONS/NOTES
A7	22231989	Filter, Primary	1	
A8	95954863	Nipple, 2.5" NPT X 2.50"	2	
A9	95954848	Union, Female 2.5" NPT	1	
B1	35282946	Hose Assembly	1	
B2	94514454	Elbow, Street 90° 2.5" NPT	1	
B3	22231971	Water Separator	1	
B4	35225077	Clamp, Support	4	
B5	35283282	Hose Assembly	1	
B6	22223861	Tube Assembly	1	
B7	95944732	Elbow, 45° 2.5-12 X -32 JIC	1	
B8	36898922	Sensor, Temperature	1	
B9	35279827	Elbow, 90° 9/16-18 X -6 JIC	2	
C1	35367846	Connector, 1/4" NPT X -6 JIC	1	
C2	35322379	Valve, Blowdown	1	
C3	35248319	Orifice, .094"	1	

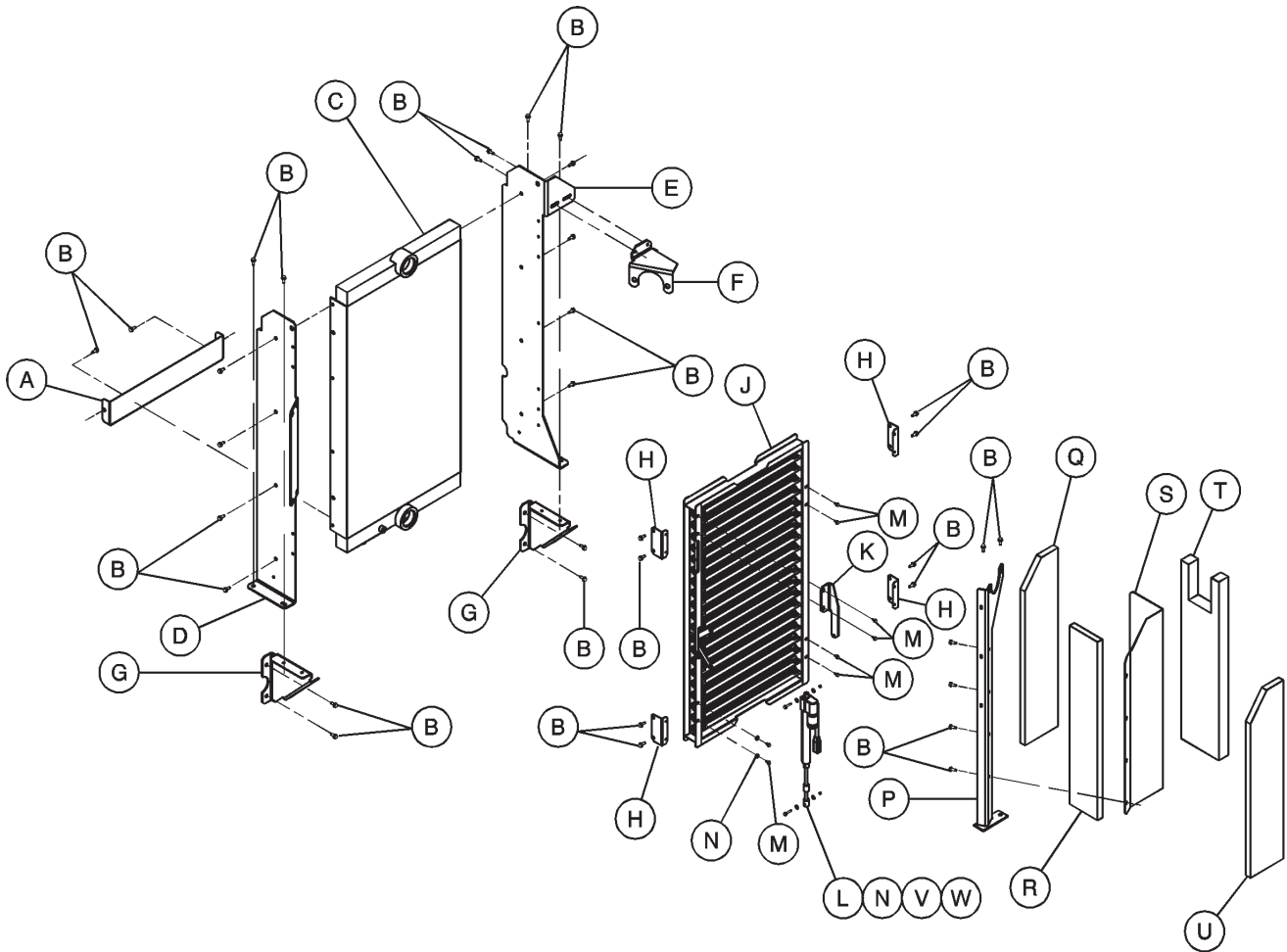
## IQ AFTERCOOLER PIPING cont'd



22826218\_option\_op02\_03/06\_A

ITEM	COMM. NO.	DESCRIPTION	QTY	DIMENSIONS/NOTES
C4	22460117	Harness, Low Ambient Heater	1	
C5	35284538	Hose Assembly	1	
C6	36854677	Heater, 24VDC Regulator	1	on Pressure Reg.
C7	22217848	Valve, Minimum Pressure	1	
C8	95944641	Adapter, 2.5-12 X 2.0" NPT	1	
C9	22583983	Connector, Male 1/8-28 BSPP X -4 JIC	3	
D1	35290352	Elbow, 90° -4 JIC Swivel Nut	3	
D2	22108815	Element, Primary Filter	AR	
D3	54739024	Kit, Filter Mount w/ Wedge	1	
D4	36895746	Nutsert, Hex M08	4	
D5	35279025	Screw, Tapping M08 - 1.25 X 20	4	
D6	35379064	Kit, Diaphragm Repair	AR	
D7	36841526	Heater, 24VDC 3/4"	5	

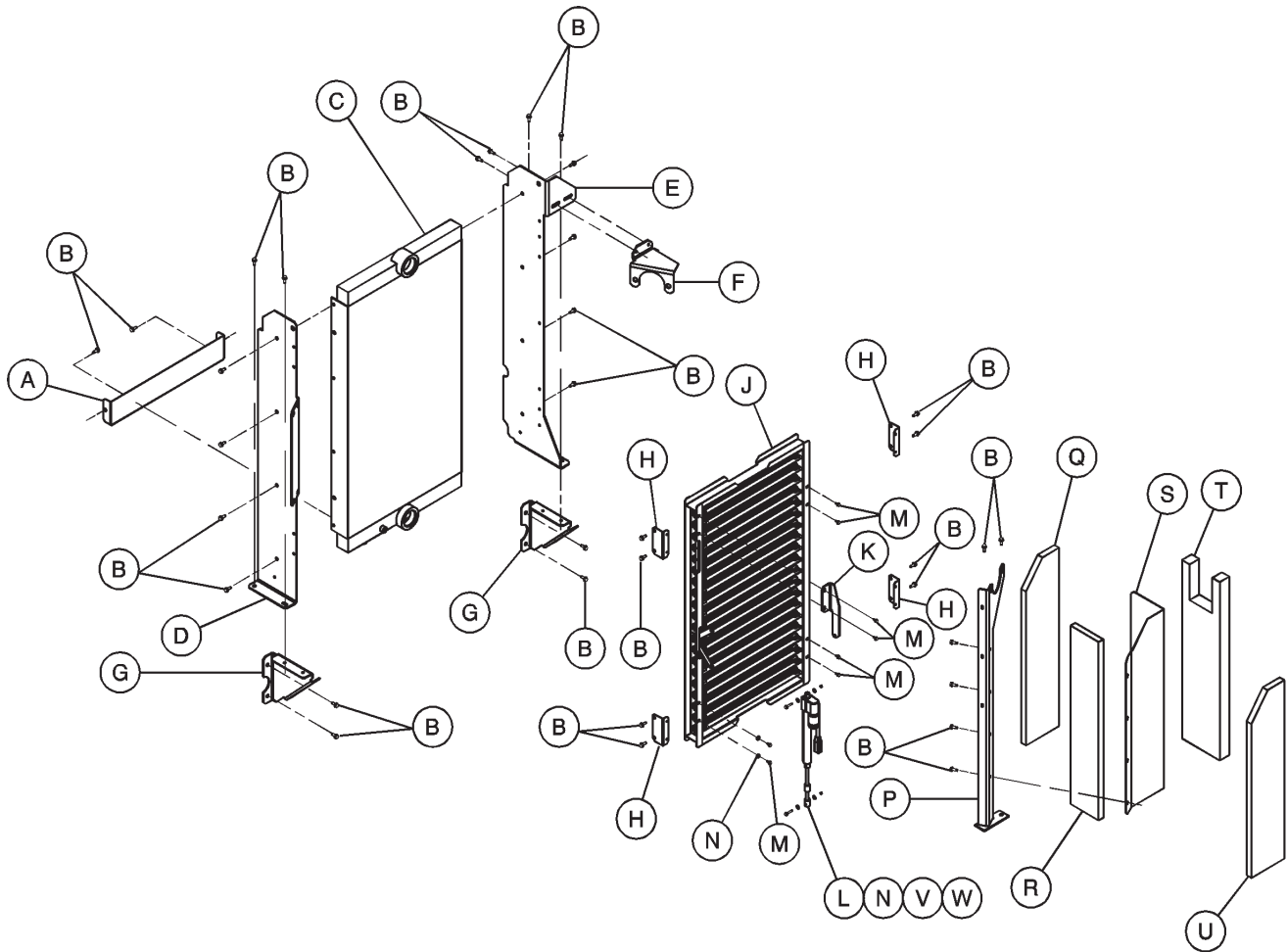
## IQ AFTERCOOLER MOUNTING



22826218\_option\_op03\_03/06\_A

ITEM	COMM. NO.	DESCRIPTION	QTY	DIMENSIONS/NOTES
A	22395321	Baffle, Air Restriction	1	
B	35279025	Screw, Tapping M08 - 1.25 X 20	34	
C	22222442	Aftercooler	1	
D	22390421	Support, Aftercooler	1	
E	22390439	Support, Aftercooler	1	
F	22395446	Support, IQ Filter	1	
G	22395420	Support, Aftercooler	2	
H	22402846	Support, Louver	4	
J	22402523	Louver Set	1	
K	22402853	Support, Actuator	1	
L	36898310	Actuator, Linear 24VDC	1	

## IQ AFTERCOOLER MOUNTING cont'd

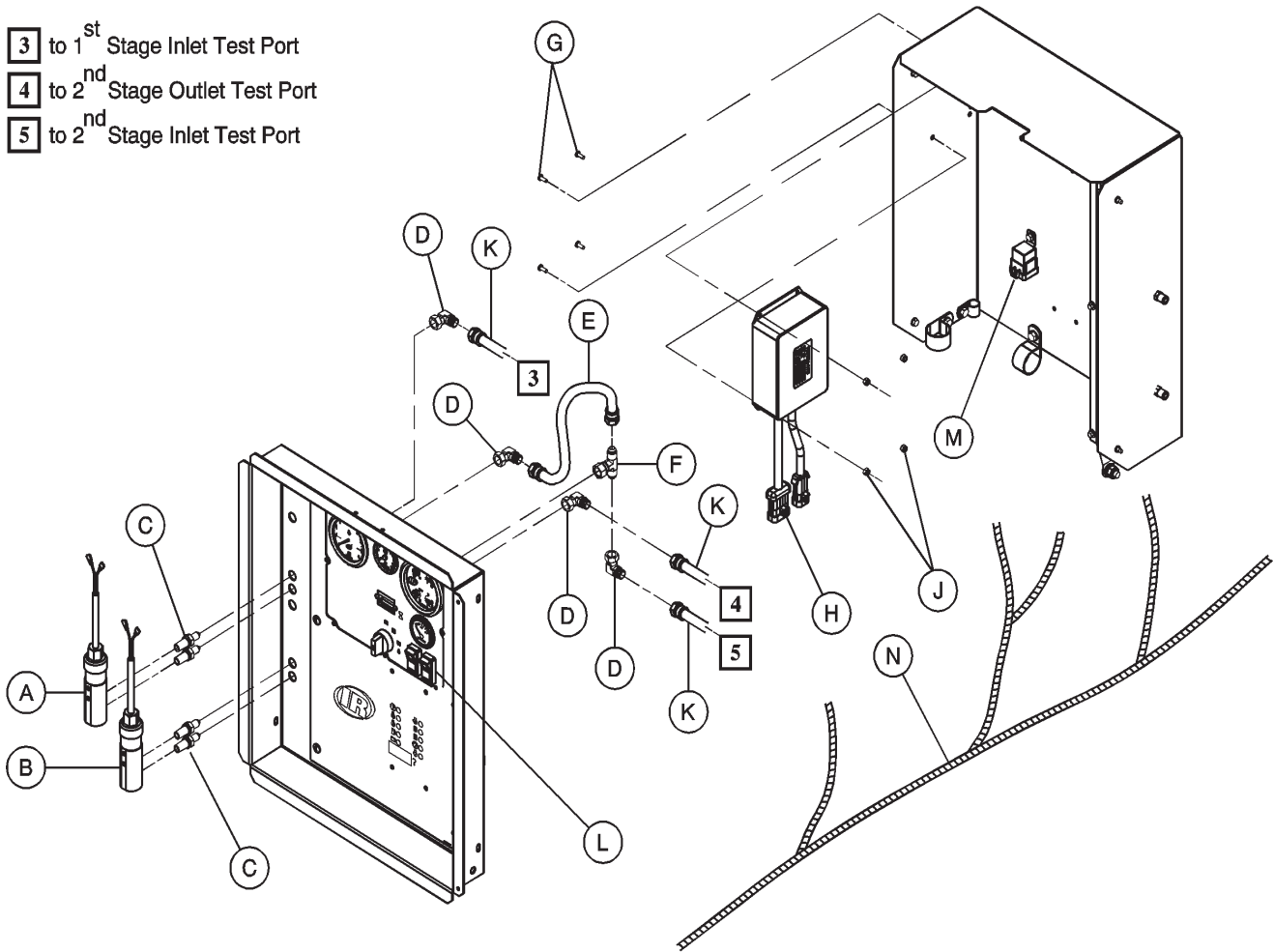


22826218\_option\_op03\_03/06\_A

ITEM	COMM. NO.	DESCRIPTION	QTY	DIMENSIONS/NOTES
M	36797652	Screw, Tapping M06-1.0 X 12	8	
N	95935029	Washer, Flat	12	
P	22393292	Support, Water Separator	1	
Q	22508311	Foam, Acoustic	1	
R	22508337	Foam, Acoustic	1	
S	22508295	Baffle, Air Intake	1	
T	22508329	Foam, Acoustic	1	
U	22508303	Foam, Acoustic	1	
V	95934568	Screw, Hex 1/4-20 X 2"	2	
W	95923298	Nut, Hex Lock 1/4-20	2	

## IQ INSTRUMENT PANEL

- 3 to 1<sup>st</sup> Stage Inlet Test Port
- 4 to 2<sup>nd</sup> Stage Outlet Test Port
- 5 to 2<sup>nd</sup> Stage Inlet Test Port

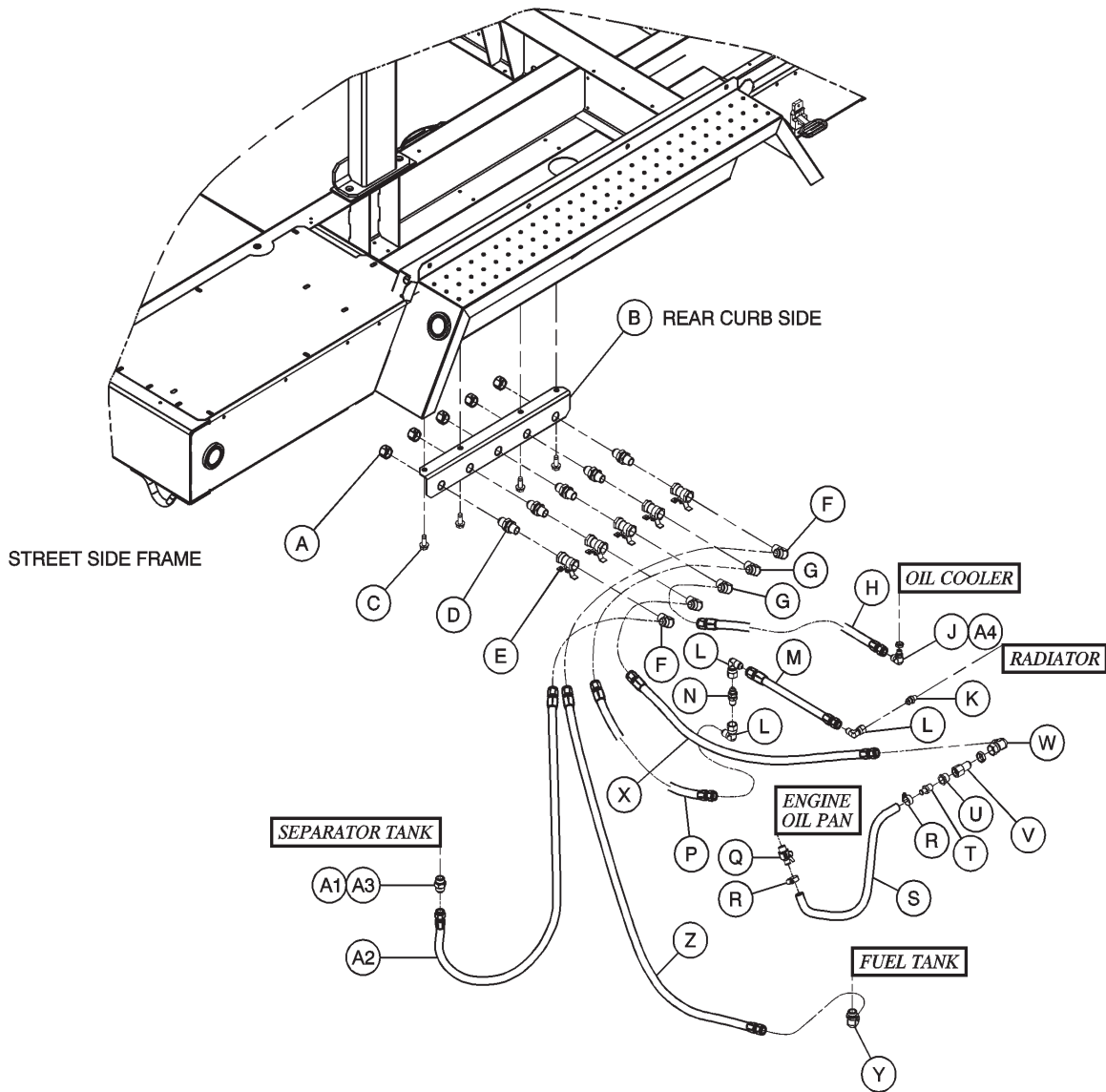


22826218\_option\_op04\_03/06\_A

ITEM	COMM. NO.	DESCRIPTION	QTY	DIMENSIONS/NOTES
A	36899615	Indicator, Differential Pressure 25 PSI	1	
B	36899599	Indicator, Differential Pressure 20 PSI	1	
C	36898401	Adaptor, Bulkhead 1/8" NPT X -4 JIC	4	
D	35290352	Elbow, 90° -4 JIC Swivel Nut	4	
E	35310960	Hose Assembly	1	
F	35323591	Tee, -4 JIC Swivel Nut Branch	1	
G	95942595	Screw, Pan Head #10-32 X 1/2"	4	
H	36920634	Unit, Temperature Control	1	
J	95928800	Nut, Hex Lock #10-32	4	
K	35322494	Hose Assembly	3	
L	22054050	Switch, Rocker	1	
M	36892362	Relay, 24 VDC	1	
N	22840524	Harness, IQ System	1	



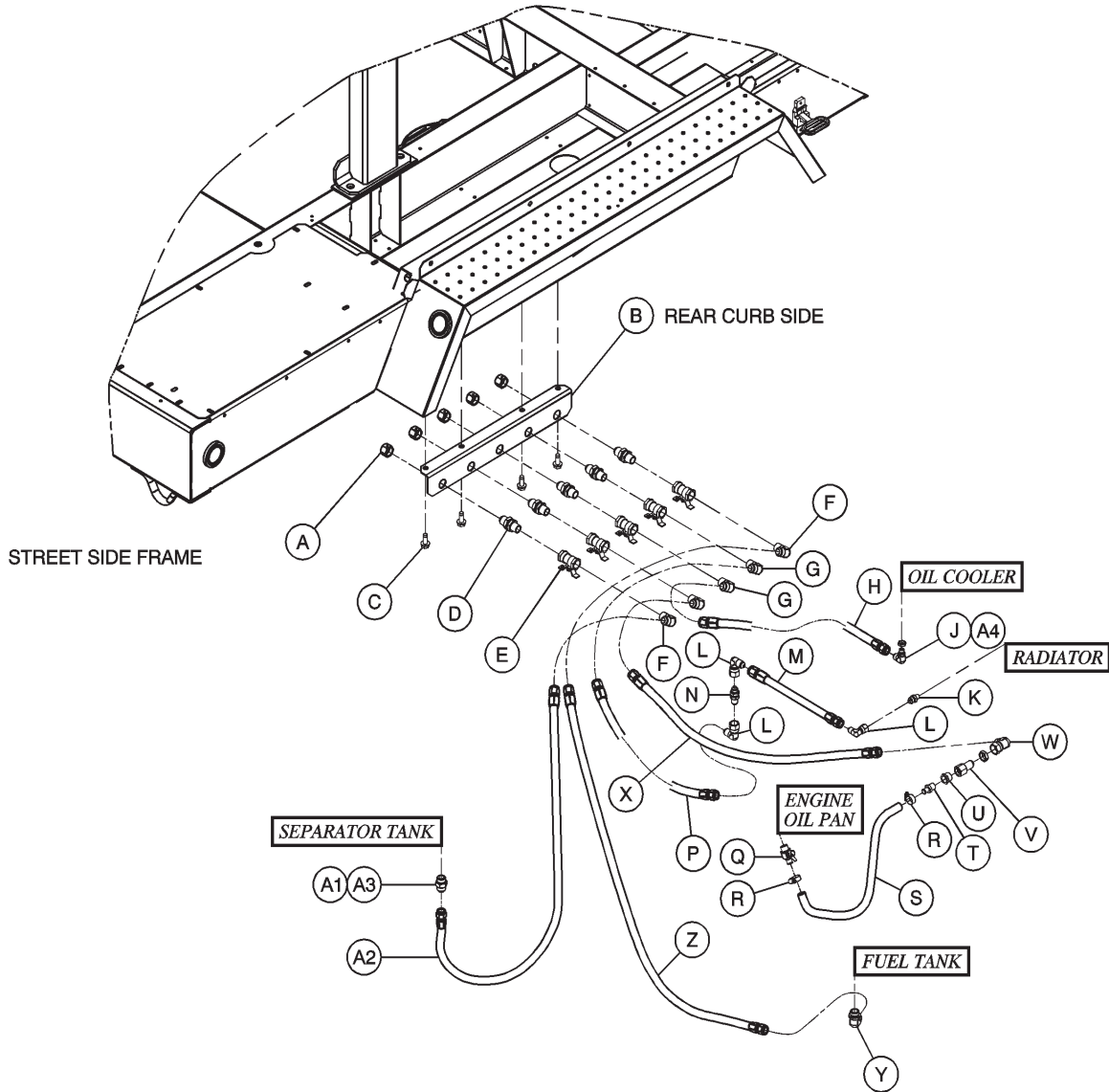
## CENTRAL DRAINS



22826218\_option\_op05\_03/06\_A

ITEM	COMM. NO.	DESCRIPTION	QTY	DIMENSIONS/NOTES
A	35608694	Cap, Safe Vent 12 JIC	5	
B	22138515	Bracket, Central Drains	1	
C	35279025	Screw, Tapping M08 - 1.25 X 20	4	
D	35321173	Fitting, Bulkhead -12 JIC X 3/4" NPT	5	
E	36777399	Valve, 3/4" T-Handle Ball	5	
F	35294735	Elbow, 90° 3/4" NPT X -12 JIC	3	
G	35287044	Elbow, 90° 3/4" NPT X -8 JIC	2	
H	35283506	Hose Assembly	1	
J	35287937	Elbow, 90° 9/16-18 X -8 JIC w/ O-Ring	1	
K	35283134	Connector, 1/4" NPT X -8 JIC	1	
L	35287911	Elbow, 90° -8 JIC Swivel Nut	3	
M	35252782	Hose Assembly	1	
N	35285451	Union, Bulkhead -8 JIC	1	
P	35307719	Hose Assembly	1	

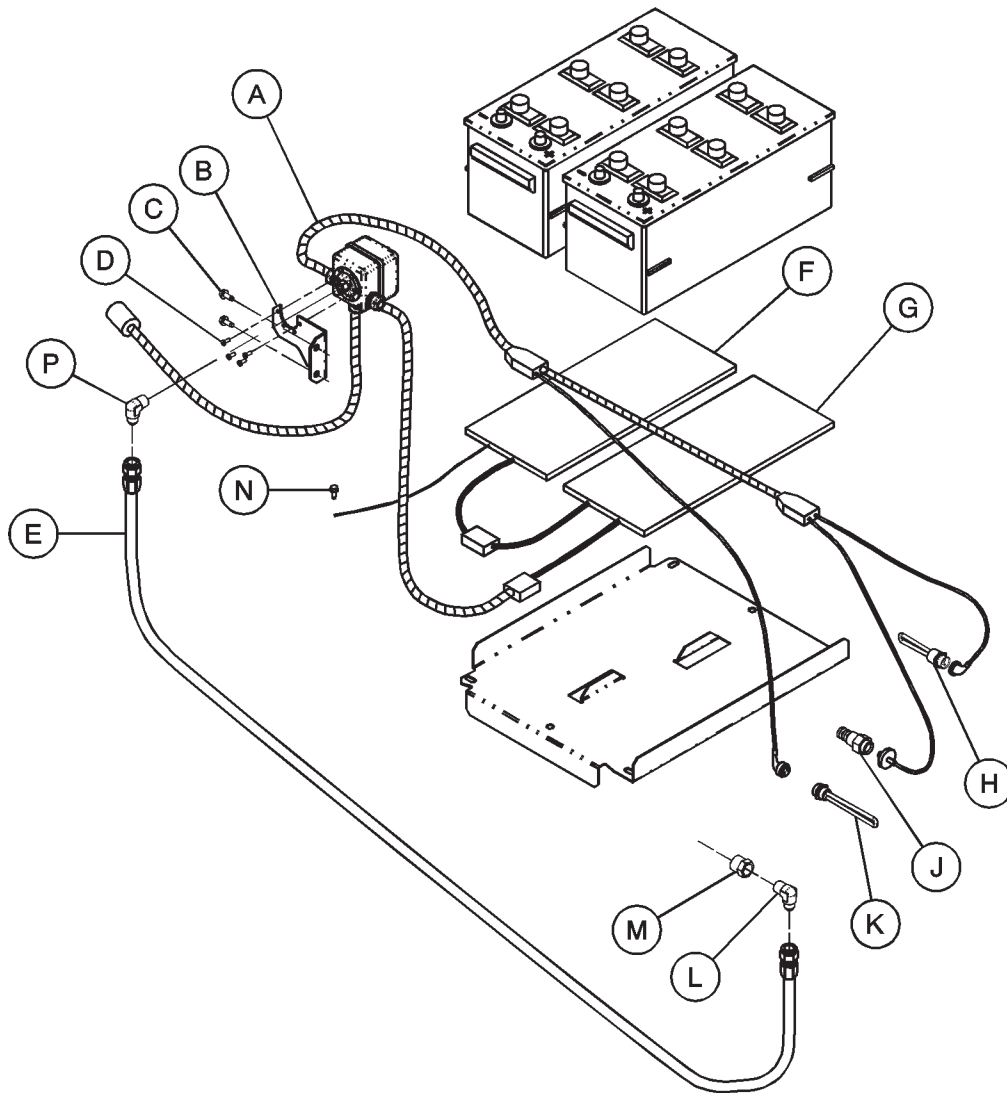
## CENTRAL DRAINS cont'd



22826218\_option\_op05\_03/06\_A

ITEM	COMM. NO.	DESCRIPTION	QTY	DIMENSIONS/NOTES
Q	36784436	Valve, Drain M18-1.5	1	
R	95220844	Clamp, Hose	2	
S	35326578	Hose, Heater 5/8"	22"	
T	35326560	Adapter, 1/2" Male NPT x 5/8" Hose	1	
U	95953949	Bushing, Reducing 3/4" NPT X 1/2" NPT	1	
V	35287747	Fitting, Bulkhead 3/4" NPT X -12 JIC	1	
W	35301506	Elbow, 90° -12 JIC Swivel Nut	1	
X	35376110	Hose Assembly	1	
Y	36861540	Elbow, 90° 1.312-12 X -12 JIC	1	
Z	35323682	Hose Assembly	1	
A1	35295880	Connector, 1.06-12 X -12 JIC w/ O-Ring	1	
A2	36881936	Hose Assembly	1	
A3	35294768	O-Ring	AR	
A4	35278571	O-Ring	AR	

## COLD START HEATERS

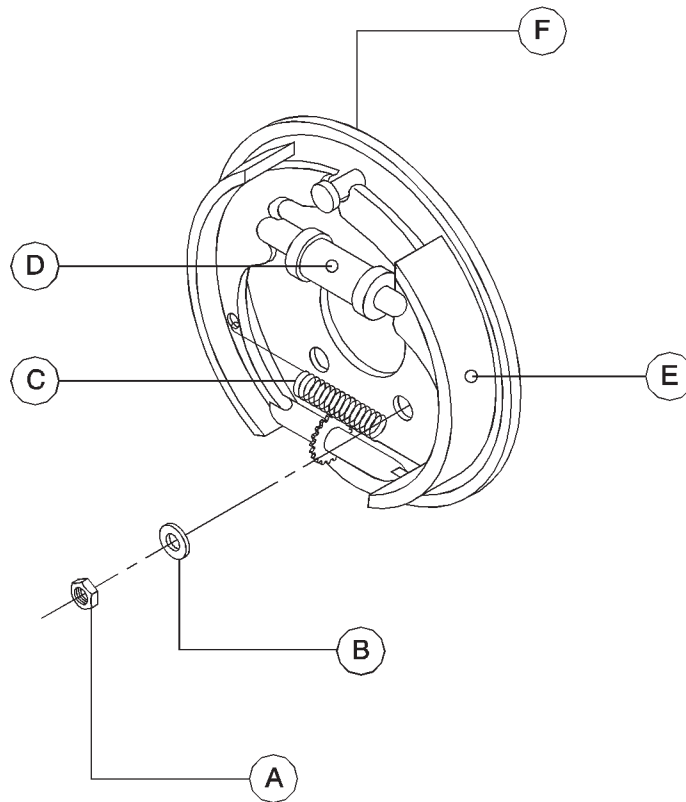


22826218\_option\_op06\_03/06\_A

ITEM	COMM. NO.	DESCRIPTION	QTY	DIMENSIONS/NOTES
	22813918	Cold Start Assembly		Incl. Items A, F thru K
A	22813901	Harness, Heater w/ Pressure Switch	1	
B	22360242	Support, Cold Start	1	
C	35279025	Screw, Tapping M08 - 1.25 X 20	2	
D	95942553	Screw, Pan Head #8-32 X 5/8"	4	
E	35283001	Hose Assembly	1	
F	36920346	Pad, Battery Heater	1	
G	36920338	Pad, Battery Heater	1	
H	22298558	Heater, Engine Block	1	
J	22298566	Well, Thermostat	1	
K	36874675	Heater, Oil Pan	1	
L	35301126	Elbow, 90° 1/8" NPT X -6 JIC	1	
M	22257554	Adapter, 1/8" NPT X M10-1.5	1	
N	92368687	Screw, Tapping M06-1.0 x 14	1	
P	35279934	Elbow, 90° 1/4 NPT X -6 JIC	1	

# FRONT HYDRAULIC BRAKE PAD ASSEMBLY

USED ON AXLE NO. 22161343

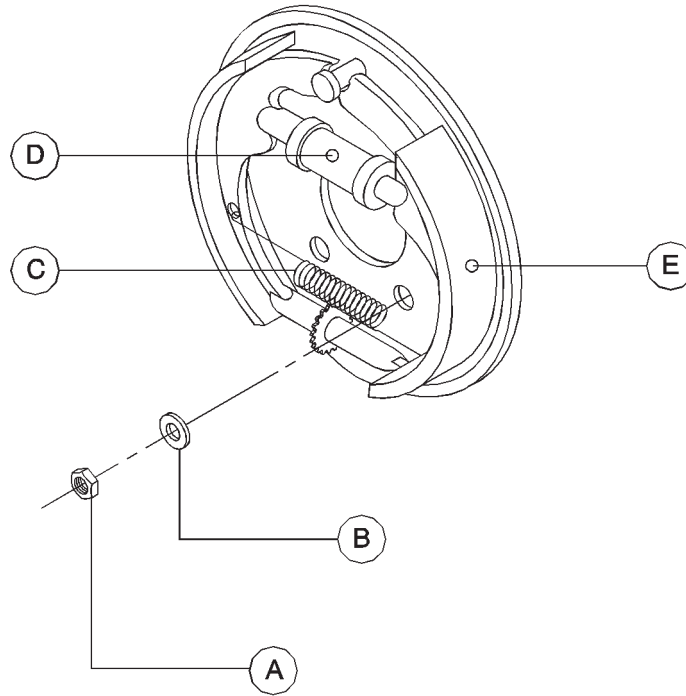


22826218\_option\_op07\_03/06\_A

ITEM	COMM. NO.	DESCRIPTION	QTY	DIMENSIONS/NOTES
A	35356872	Nut	10	
B	35356864	Washer	10	
C	36895795	Kit, Brake Spring	2	
D	36867851	Kit, Left Brake Cylinder	1	
	36867885	Kit, Right Brake Cylinder	1	
E	36895779	Kit, Left Shoe and Lining	1	
	36895787	Kit, Right Shoe and Lining	1	
F	35393834	Left Backing Plate Assembly	1	
	35393842	Right Backing Plate Assembly	1	
	36895241	Complete Left Brake Assembly	1	
	36895258	Complete Right Brake Assembly	1	

# REAR HYDRAULIC BRAKE PAD ASSEMBLY

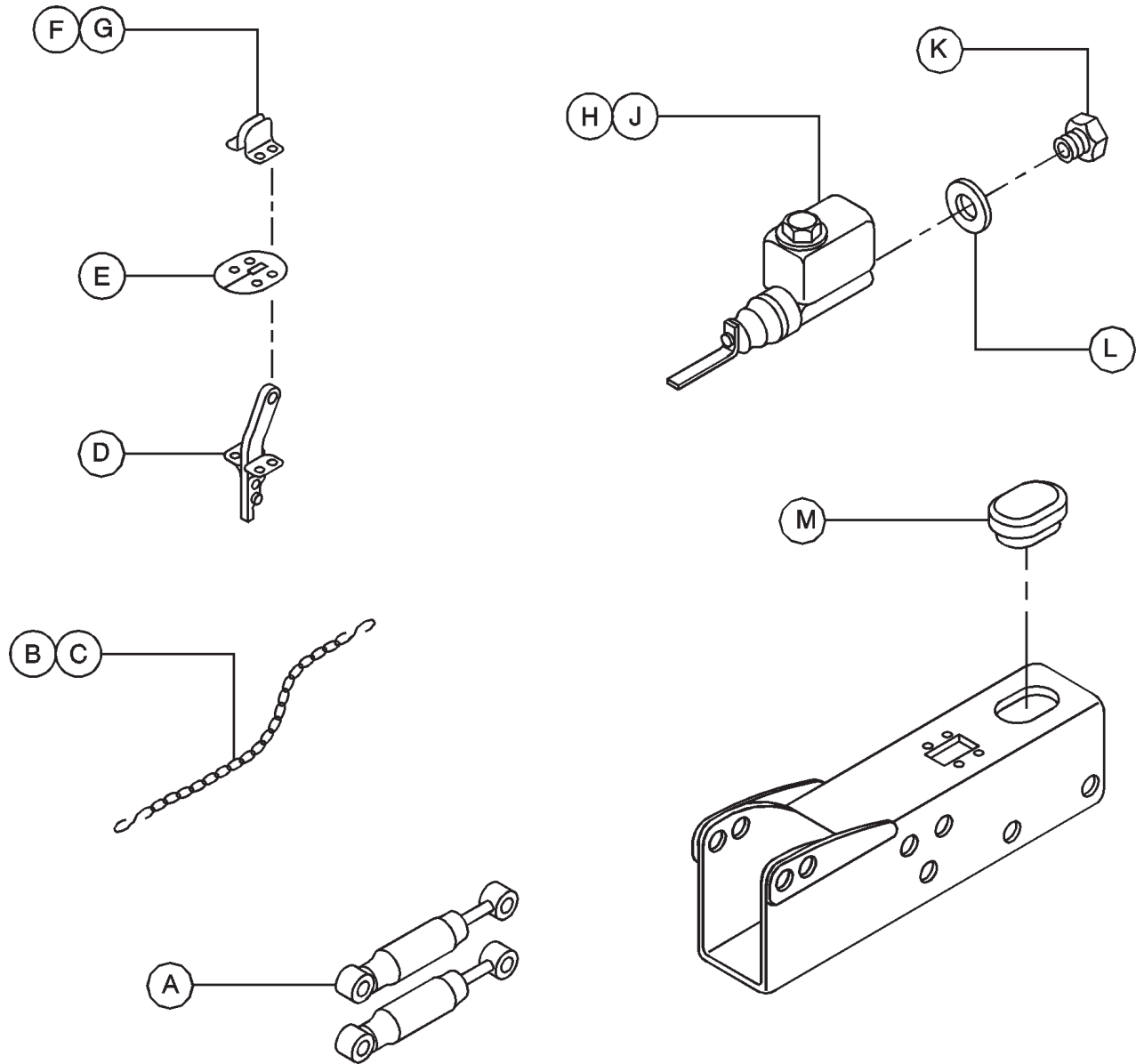
USED ON AXLE NO. 22161350



22826218\_option\_op08\_03/06\_A

ITEM	COMM. NO.	DESCRIPTION	QTY	DIMENSIONS/NOTES
A	35356872	Nut	10	
B	35356864	Washer	10	
C	36895795	Kit, Brake Spring	2	
D	36867851	Kit, Left Brake Cylinder	1	
	35867885	Kit, Right Brake Cylinder	1	
E	36895779	Kit, Left Shoe and Lining	1	
	36895787	Kit, Right Shoe and Lining	1	
	35388628	Complete Left Brake Assembly	1	
	35388636	Complete Right Brake Assembly	1	

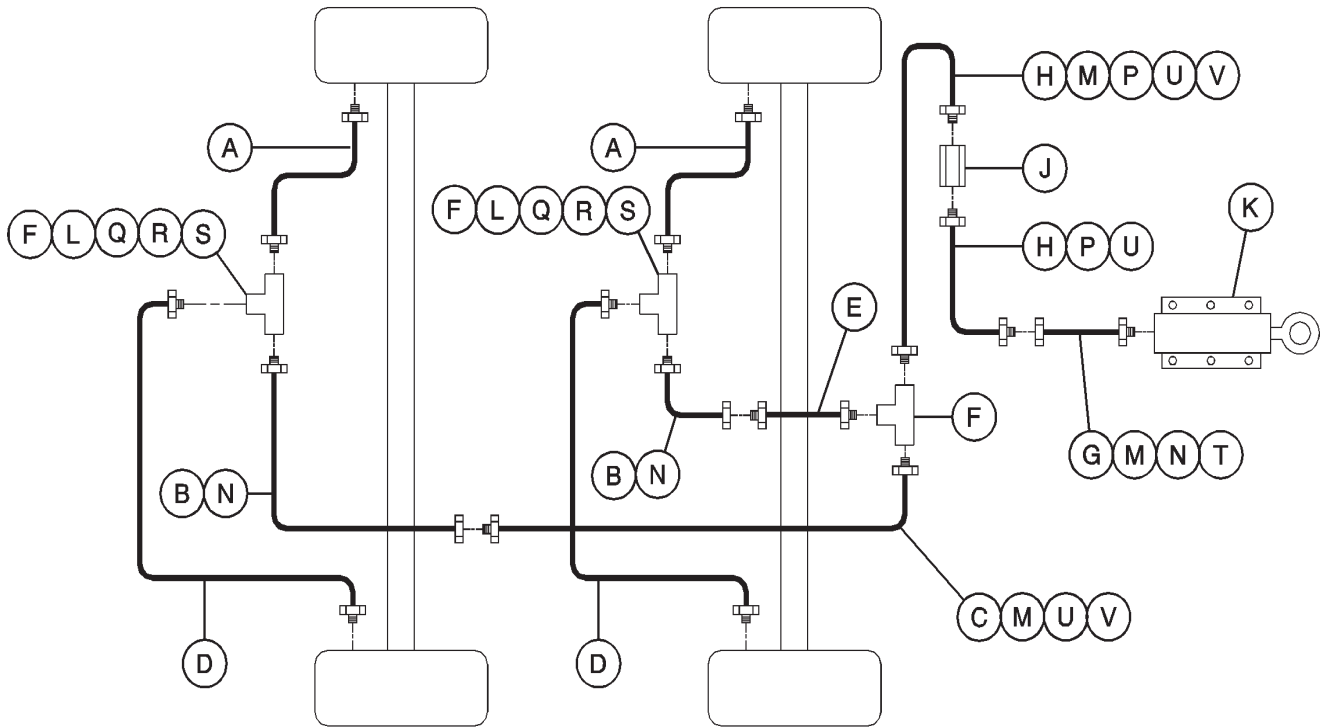
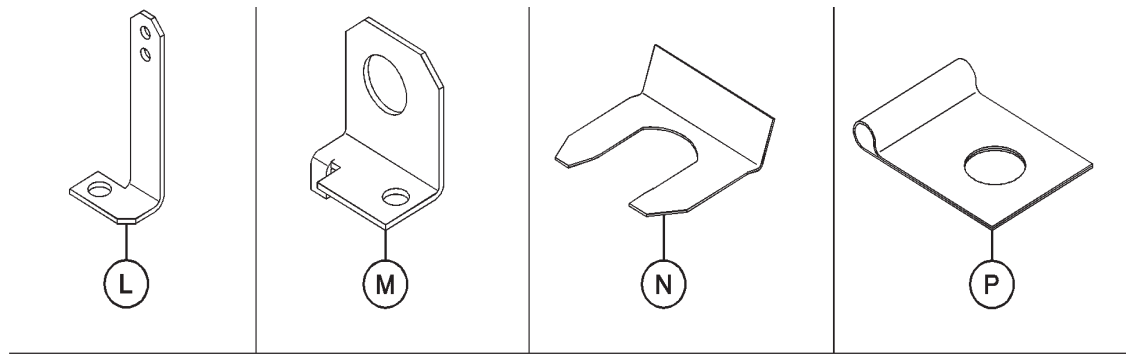
# HYDRAULIC BRAKE ACTUATOR



22826218\_option\_op09\_03/06\_A

ITEM	COMM. NO.	DESCRIPTION	QTY	DIMENSIONS/NOTES
A	35373026	Damper	2	
B	35373083	S-Hook	2	
C	35373091	Chain	1	
D	35373042	Lever Assembly	1	
E	35373059	Seal Weather	1	
F	35373067	Lock, Right	1	
G	35373075	Lock, Left	1	
H	35373117	Cylinder, Master	1	
J	35376433	Kit, Cylinder Repair	AR	
K	35373109	Connector	1	
L	35373125	Gasket	1	
M	35373034	Cover	1	

## HYDRAULIC BRAKE PIPING

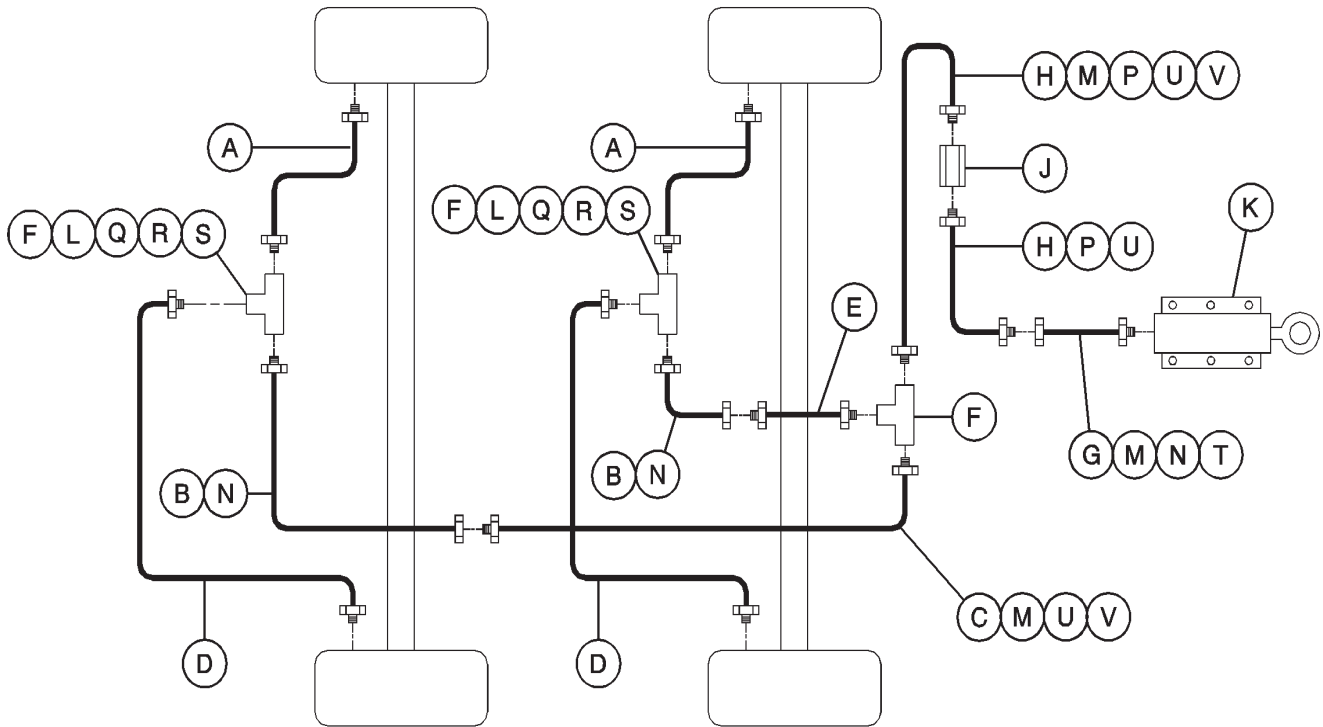
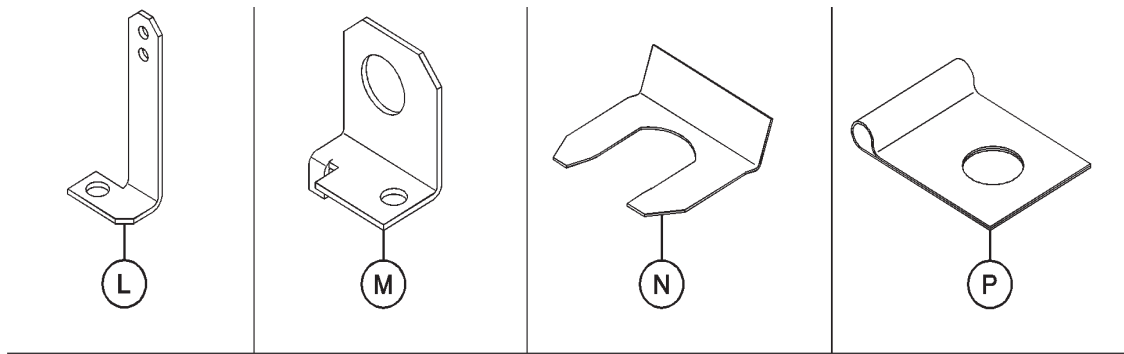


(THIS VIEW IS LOOKING DOWN FROM TOP OF UNIT)

22826218\_option\_op10\_03/06\_A

ITEM	COMM. NO.	DESCRIPTION	QTY	DIMENSIONS/NOTES
A	36867281	Tube Assembly	2	
B	35356377	Hose Assembly	2	
C	36894699	Tube Assembly	1	
D	36867489	Tube Assembly	2	
E	36867273	Tube Assembly	1	
F	35356328	Tee, 3/16" Inverted Flare	3	
G	35356369	Hose Assembly	1	
H	35356401	Tube Assembly	2	
J	35356336	Union, 3/16" X 3/16" Inverted Flare	1	
K	36734879	Actuator, Hydraulic Brake	1	

## HYDRAULIC BRAKE PIPING cont'd



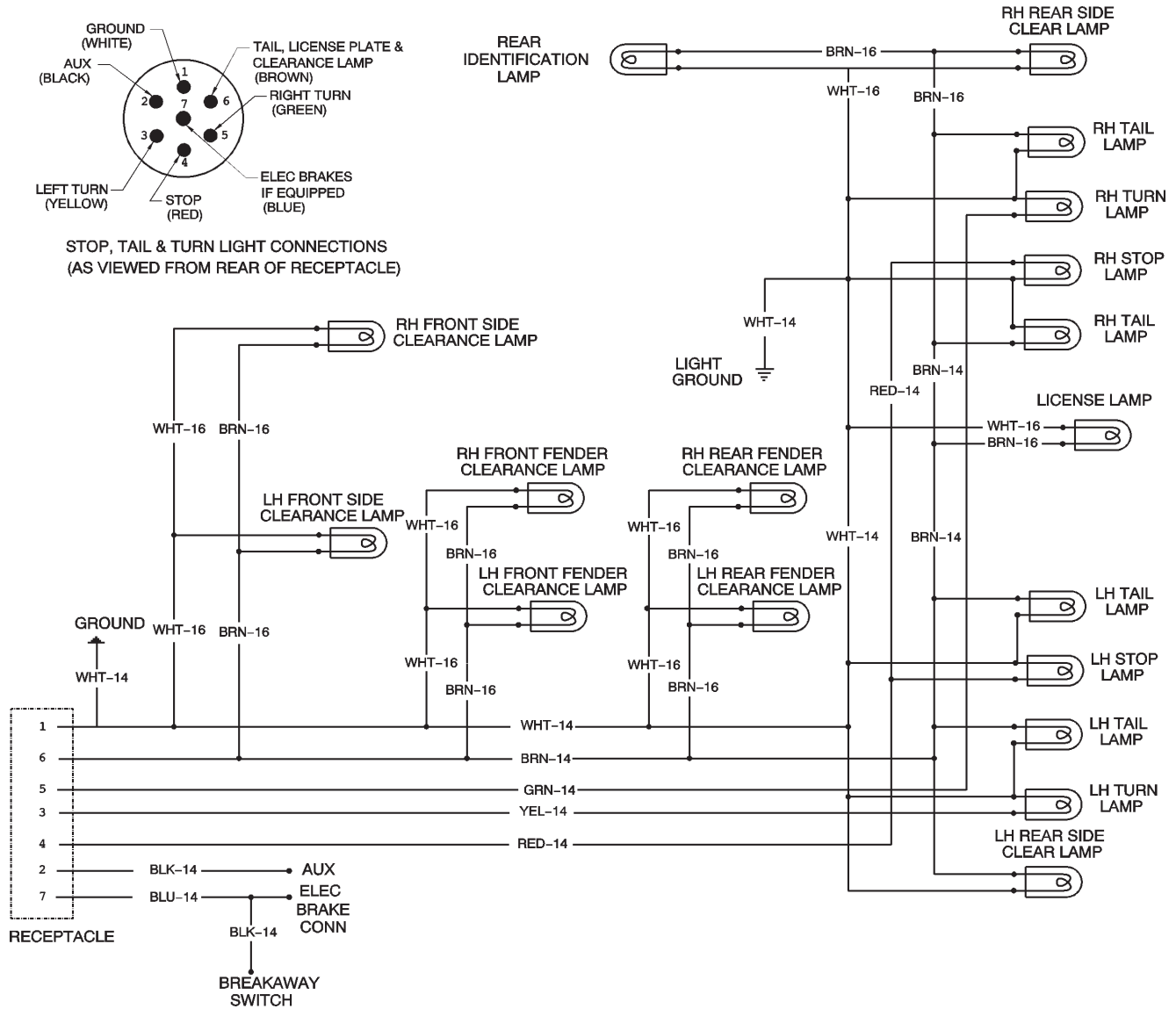
(THIS VIEW IS LOOKING DOWN FROM TOP OF UNIT)

22826218\_option\_op10\_03/06\_A

ITEM	COMM. NO.	DESCRIPTION	QTY	DIMENSIONS/NOTES
L	22262323	Bracket, Tee	2	
M	35356310	Bracket, Hose	3	
N	35356302	Clip, Hose	3	
P	37001252	Clamp, Tube	3	
Q	95935102	Nut, Hex 1/2-20	2	
R	36898096	Screw, Hex Flange M06-1.0 X 20	2	
S	36898104	Nut, Hex Flange M06-1.0	2	
T	36797652	Screw, Tapping M06-1.0 X 12	1	
U	35279025	Screw, Tapping M08 - 1.25 X 20	6	
V	36895746	Nutsert, Hex M08	3	



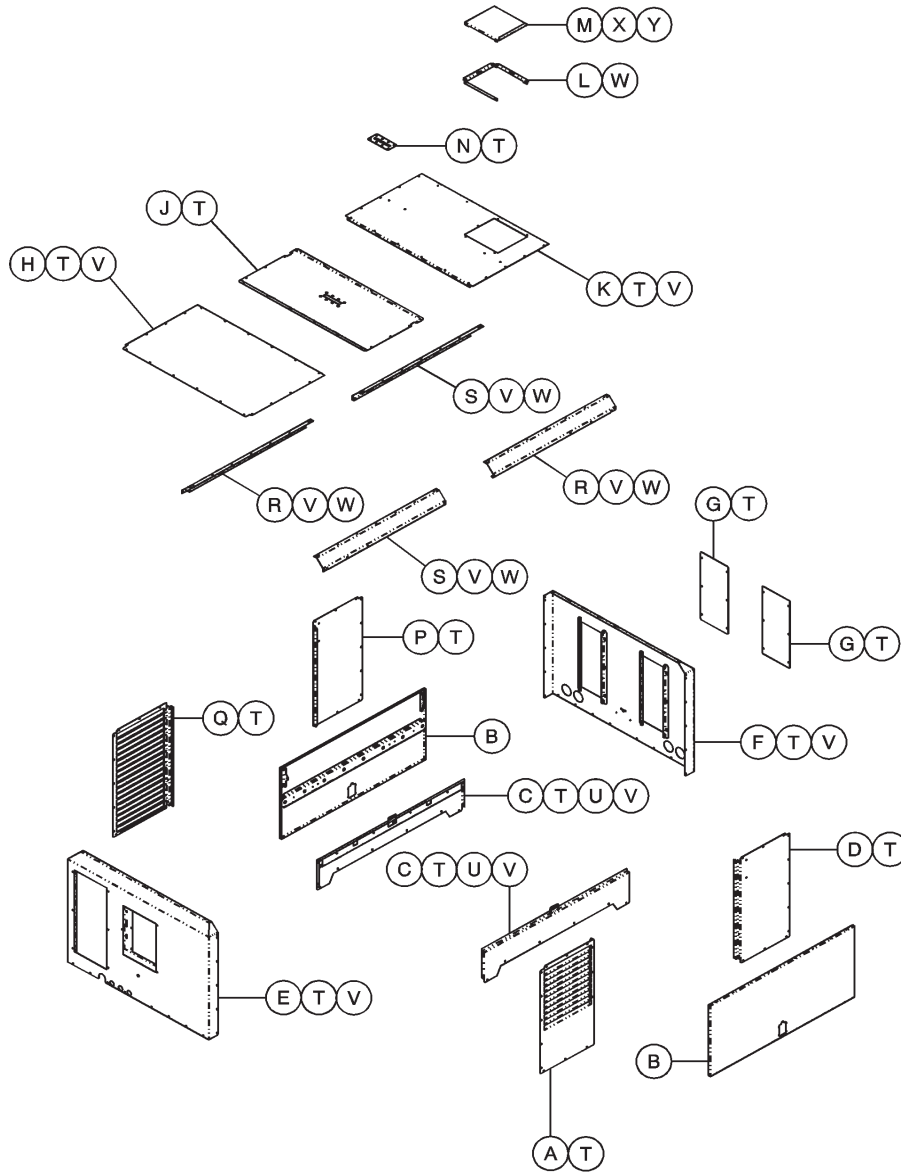
# HYDRAULIC BRAKE LIGHT WIRING SCHEMATIC



22826218\_option\_op11\_03/06\_A

ITEM	COMM. NO.	DESCRIPTION	QTY	DIMENSIONS/NOTES
	22312169	Harness, Hydraulic Brake Lighting	1	

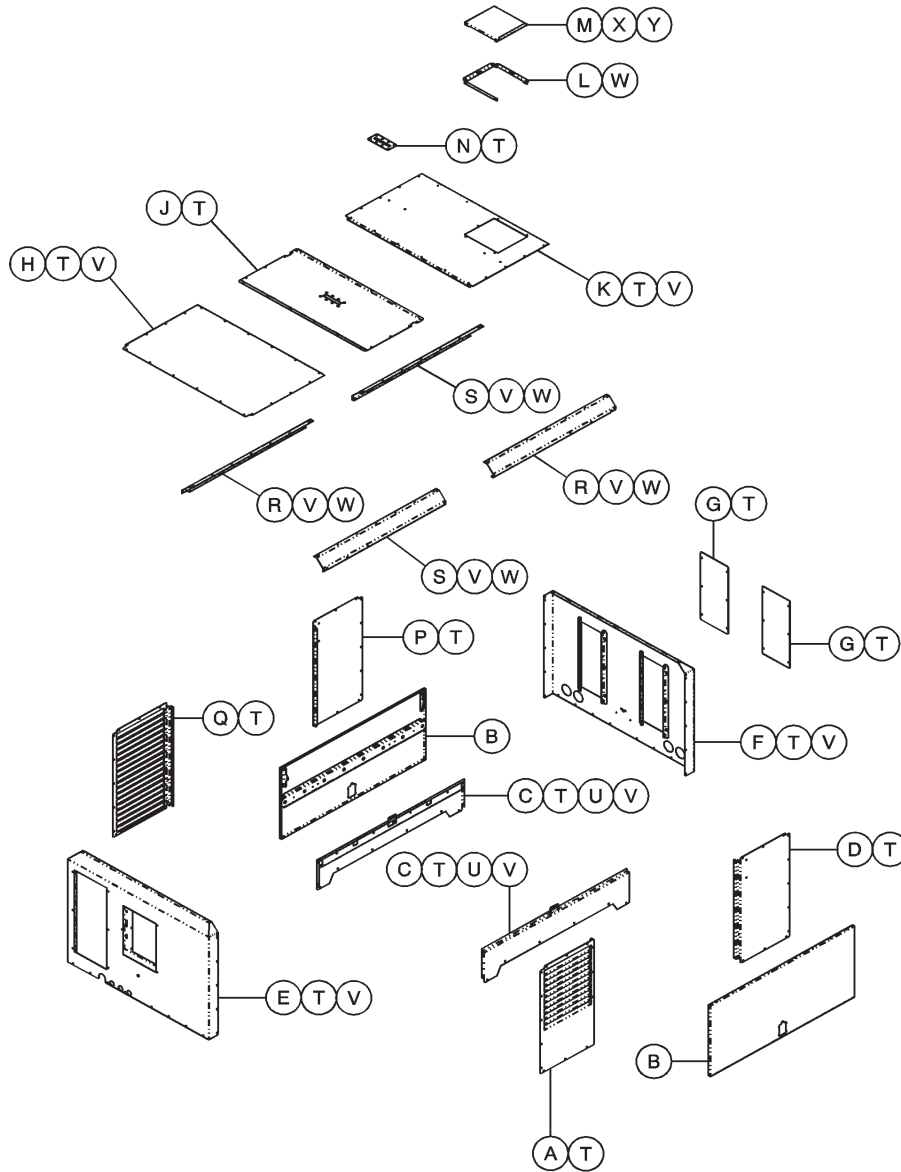
## GALVANNEAL ENCLOSURE



22826218\_option\_op12\_03/06\_A

ITEM	COMM. NO.	DESCRIPTION	QTY	DIMENSIONS/NOTES
A	22201578	Grill, Left Hand Front	1	
B	22211171	Door, Side	2	
C	22208292	Panel, Lower Side	2	
D	22197826	Panel, Left Hand Rear	1	
E	22622468	Panel, Front End	1	
F	22197487	Panel, Rear End	1	
G	22300644	Cover, End Panel	2	
H	22208318	Panel, Front Top	1	
J	22245757	Panel, Top Center	1	
K	22199038	Panel, Top Rear	1	
L	22243299	Frame, Door	1	
M	22243281	Door, Overflow	1	

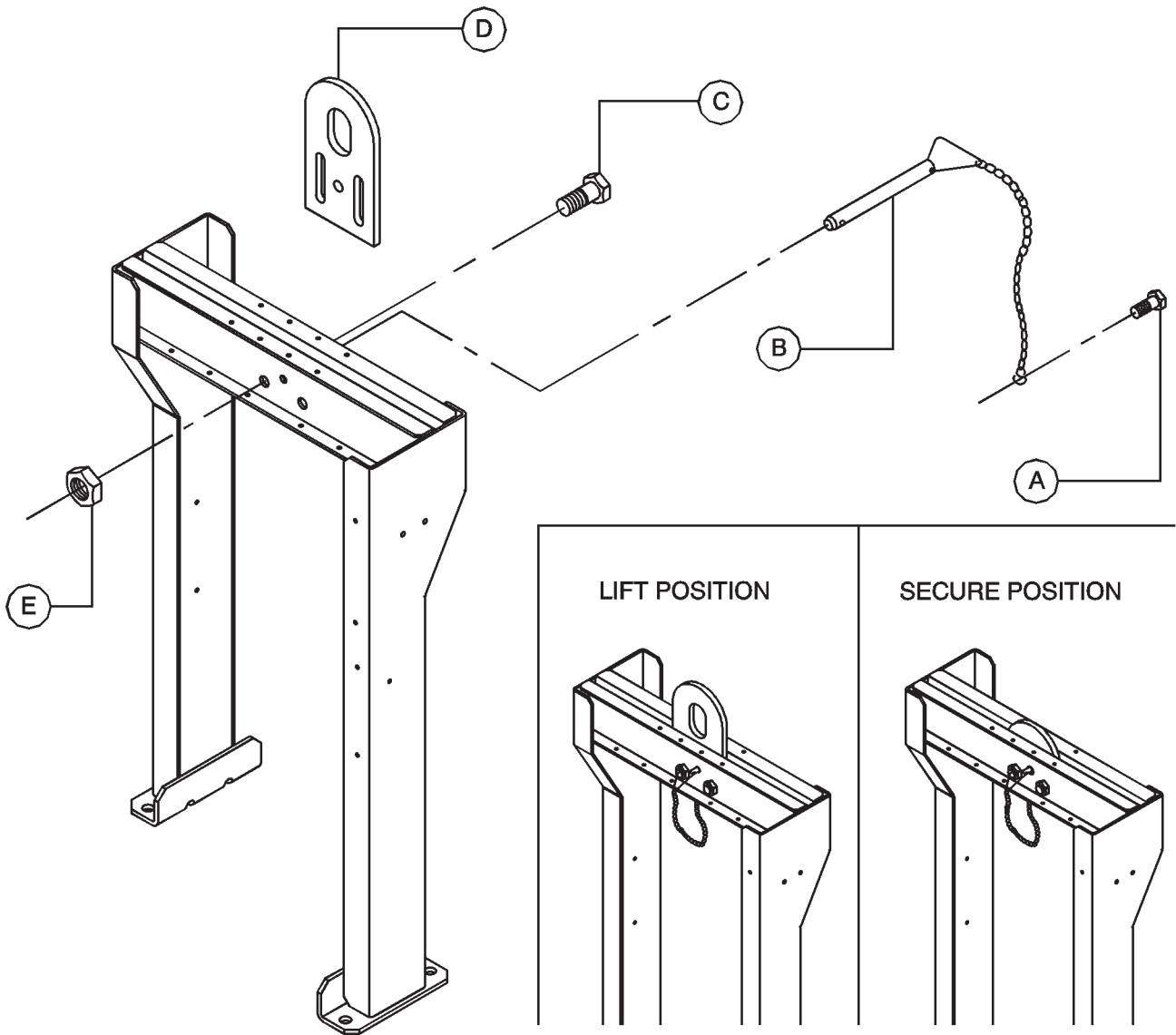
## GALVANNEAL ENCLOSURE cont'd



22826218\_option\_op12\_03/06\_A

ITEM	COMM. NO.	DESCRIPTION	QTY	DIMENSIONS/NOTES
N	22208953	Cover, Lift Bail	1	
P	22197503	Panel, Right Rear	1	
Q	22203681	Grill, Right Hand Front	1	
R	22198196	Rail, Top Side	2	
S	22198451	Rail, Top Side	2	
T	35279025	Screw, Tapping M08 - 1.25 X 20	165	
U	22068373	Seal, Door	12'	
V	36895746	Nutsert, Hex M08	126	
W	36797652	Screw, Tapping M06-1.0 X 12	33	
X	36769032	Nut, Hex Lock M06-1.0	2	
Y	35300771	Screw, Tapping M06-1.0 X 20	3	

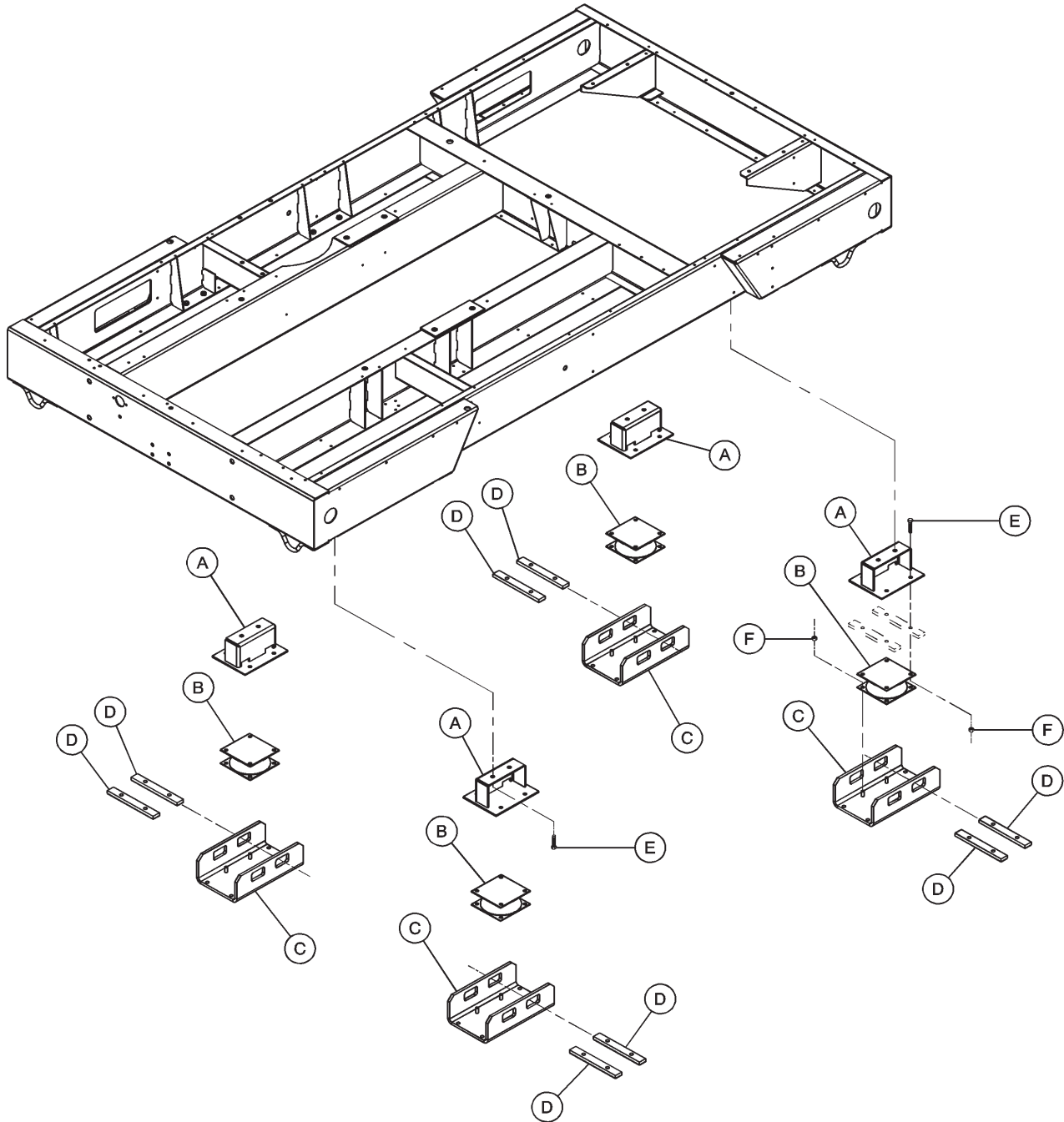
## SECURABLE LIFT EYE



22826218\_option\_op13\_03/06\_A

ITEM	COMM. NO.	DESCRIPTION	QTY	DIMENSIONS/NOTES
A	35279025	Screw, Tapping M08 - 1.25 X 20	1	
B	36848224	Pin	1	
C	36763670	Screw, Hex M20-2.50 x 60	2	
D	22183685	Eye, Secure Lift	1	
E	35356526	Nut, Torq M20-2.50	2	

# LESS RUNNING GEAR



22826218\_option\_op14\_05/06\_A

ITEM	COMM. NO.	DESCRIPTION	QTY	DIMENSIONS/NOTES
A	22329759	Support, LRG Upper	4	
B	36754893	MountT, Sandwich	4	
C	36898369	Support, Lower Mounting	4	
D	36898351	Bar, Restriction	8	
E	36877793	Screw, Hex Flange M12-1.75 X 40	24	
F	36879203	Nut, Hex Flange M12-1.75	32	



## NUMERICAL INDEX

COMM.NO.	PAGE	COMM.NO.	PAGE	COMM.NO.	PAGE	COMM.NO.	PAGE
22050553	B-49	22197495	B-61	22228753	B-25	22298343	B-69
	B-59	22197503	C-23	22228852	B-25		B-70
22054050	C-12	22197818	B-60	22228860	B-25	22298558	C-15
22054076	B-48	22197826	C-22	22231112	B-26	22298566	C-15
	B-59	22198188	B-61	22231674	B-7	22299051	B-69
22054159	B-49	22198196	C-23	22231682	B-7	22300248	B-61
22054175	B-49	22198444	B-61	22231690	B-7	22300644	C-22
	B-59	22198451	C-23	22231724	B-7	22301048	B-64
22055883	B-48	22199020	B-61	22231732	B-5	22301089	B-64
	B-59	22199038	C-22	22231971	C-3	22301097	B-64
22056394	B-48	22199582	B-5		C-8	22301105	B-64
	B-59	22201578	B-60	22231989	C-8	22301113	B-64
22058564	B-27		C-22	22231997	C-7	22301717	B-64
22068373	B-62	22202063	B-60	22237564	B-61	22302889	B-25
	C-23	22202477	B-25	22243273	B-61	22303333	B-26
22078190	B-28	22202485	B-25	22243281	C-22		B-27
22101968	B-53	22203608	B-25	22243299	C-22	22303465	B-25
	B-59	22203681	B-61	22243307	B-61	22305528	B-67
22108815	C-9		C-23	22245757	C-22	22305536	B-66
22108823	C-7	22207120	B-16	22246722	B-54	22305544	B-68
22124317	B-20	22207153	B-28	22247191	B-4	22305551	B-68
22127385	B-49	22207237	B-27	22252191	B-66	22305973	B-66
	B-59	22207930	B-60	22252209	B-67	22306062	B-68
22132153	B-52	22208284	B-60	22252233	B-67	22306088	B-68
	B-59	22208292	C-22	22252241	B-67	22306096	B-68
22134118	B-49	22208300	B-61	22252258	B-67	22306104	B-68
22138515	C-13	22208318	C-22	22252282	B-66	22306112	B-68
22141790	B-32	22208474	B-16	22252290	B-66	22306120	B-68
22144497	B-28	22208946	B-61	22252308	B-66	22312169	C-21
22144513	B-28	22208953	C-23	22252316	B-66	22312599	B-62
22155337	B-28	22211163	B-60	22252324	B-67	22326763	B-36
22155451	B-30	22211171	C-22	22252340	B-66	22329759	C-25
	B-59	22213037	B-47	22252357	B-67	22334916	B-69
22155592	B-27	22214779	B-45	22252365	B-66	22336184	B-64
22155600	B-69		B-46	22252373	B-66	22345748	B-15
22157556	B-5	22214787	B-45	22252381	B-67	22345755	B-15
22159859	B-5	22214803	B-45	22252399	B-67		B-59
22161343	B-9	22217848	B-37	22253041	B-10	22346126	B-10
22161350	B-9		B-39	22255707	B-66	22352934	B-38
22170138	B-15		B-40	22257554	B-54	22360242	C-15
22171680	B-49		C-4		C-15	22367163	B-28
22171698	B-49		C-9	22262323	C-20	22383319	B-70
22173579	B-50	22218424	B-39	22271738	B-34	22384747	B-7
	B-59	22218432	B-39	22271746	B-33	22384754	B-7
22176572	B-35	22218457	B-39	22278196	B-9	22389886	B-51
22177703	B-17	22218622	B-39	22278212	B-8	22390421	C-5
22177737	B-15	22219687	B-20	22279772	B-46		C-10
22182307	B-6	22222442	C-4	22283238	B-33	22390439	C-5
22183685	C-24		C-10	22283592	B-34		C-10
22186779	B-25	22223846	B-40	22283600	B-34	22390447	C-2
22188205	B-35	22223853	C-2	22283758	B-17	22393292	C-3
22193015	B-9		C-6	22285787	B-34		C-11
22193718	B-5	22223861	C-4	22288849	B-16	22395321	C-5
22193734	B-5		C-8	22289995	B-16		C-10
22197479	B-60	22223879	C-2	22291280	B-36	22395420	C-5
22197487	C-22		C-6				C-10

## NUMERICAL INDEX

COMM.NO.	PAGE	COMM.NO.	PAGE	COMM.NO.	PAGE	COMM.NO.	PAGE
22395446	C-10	22692602	B-49	35256429	B-50	35279942	B-35
22395586	C-5		B-59	35256445	B-50		B-45
22402523	C-10	22697585	B-28	35256452	B-51		B-47
22402846	C-10	22724579	B-27	35261155	B-38	35282185	B-51
22402853	C-10	22724603	B-27	35262963	B-21	35282565	B-10
22410211	C-4	22736607	B-68	35265388	B-63	35282946	C-8
	C-6	22739981	B-26		B-65	35282953	B-41
22414718	C-3	22740021	B-26	35271162	B-14	35283001	C-15
22414726	C-2	22740872	B-26	35272558	B-3	35283050	B-44
22414734	C-2	22745467	B-67		B-17	35283068	B-31
22414742	C-2	22745558	B-67	35273366	B-51		B-44
22414759	C-5	22747786	B-65	35273937	B-15	35283092	B-42
22414767	C-5	22765325	B-15		B-17	35283134	B-43
22426522	B-15	22765333	B-15	35274703	B-34		C-13
22452155	B-15	22765341	B-16	35278571	B-24	35283282	B-44
22460117	C-9	22769186	B-54		B-42		C-8
22508295	C-11		B-59		B-44	35283506	C-13
22508303	C-11	22770879	B-59		C-14	35284082	B-41
22508311	C-11	22784698	B-51	35278720	B-62		C-7
22508329	C-11		B-59	35279009	B-20	35284538	B-41
22508337	C-11	22785349	B-59	35279025	B-6		C-5
22564082	B-26	22806004	B-38		B-7		C-9
22583983	C-9		B-54		B-16	35284546	C-7
22615041	B-15		B-59		B-26	35285451	C-13
22615058	B-15	22813901	C-15		B-27	35285600	B-28
22616965	B-15	22813918	C-15		B-31	35286327	B-29
	B-59	22840524	C-12		B-34	35286491	B-32
22620736	B-28	22842256	B-59		B-46	35286533	B-32
22621700	B-27	35103852	B-17		B-47	35286541	B-41
22622435	B-60	35111731	B-27		B-51	35287044	C-13
22622468	C-22	35112333	B-33		B-52	35287143	B-31
22622997	B-51	35113646	B-27		B-53	35287556	B-24
22623003	B-50	35114057	B-46		B-62		B-27
22624316	B-50		B-51		B-64		B-29
22625909	B-48	35116094	B-34		B-65	35287747	C-14
22631816	B-48	35117605	B-33		C-3	35287911	B-31
22633044	B-48	35118728	B-14		C-9		B-43
	B-59	35119858	B-33		C-10		C-13
22637904	B-15	35127653	B-16		C-13	35287929	B-43
	B-32	35130707	B-60		C-15	35287937	B-43
22641054	B-34	35144328	B-30		C-20		C-13
22645626	B-30	35161025	B-34		C-23	35290147	B-41
22660880	B-25	35192178	B-40		C-24		B-44
22663181	B-53		C-2	35279777	B-45	35290352	C-9
22666366	B-52		C-6		B-46		C-12
22666374	B-52	35222017	B-27		B-47	35294735	C-13
22666382	B-52	35222538	B-29	35279827	B-46	35294768	C-14
22666606	B-52		B-31		C-4	35295336	B-21
22674014	B-66	35225077	B-65		C-8	35295880	C-14
22674022	B-68		C-8	35279850	B-42	35298132	B-19
22674212	B-32	35228212	B-45	35279934	B-43	35299361	B-22
22685481	B-36	35248319	C-5		C-5	35300771	B-63
22685499	B-35		C-8		C-7		B-65
22685507	B-36	35252782	C-13		C-15		C-23
22685531	B-35	35255819	B-19			35301126	C-15
		35256122	C-2			35301506	C-14



## NUMERICAL INDEX

COMM.NO.	PAGE	COMM.NO.	PAGE	COMM.NO.	PAGE	COMM.NO.	PAGE
35302314	B-44	35327311	B-48	35368927	B-42	35598986	B-52
35302835	B-15	35327840	B-6	35369313	B-5		B-59
	B-17	35328228	B-23	35369347	C-4	35602325	B-36
35305648	B-31	35328236	B-24	35369800	B-3	35602473	B-40
35306141	B-63	35328244	B-24	35373026	C-18		C-2
	B-65	35328251	B-23	35373034	C-18		C-6
35306661	B-42	35328269	B-24	35373042	C-18	35602846	B-13
35306687	B-50	35329309	B-37	35373059	C-18	35602895	B-14
35307131	B-16		B-45	35373067	C-18	35602903	B-14
35307719	B-32	35331578	B-24	35373075	C-18	35603182	B-13
	C-13	35331586	B-24	35373083	C-18	35603208	B-14
35309210	B-38	35332006	B-23	35373091	C-18	35603216	B-13
	B-41	35332683	B-23	35373109	C-18	35603224	B-13
35310598	B-28	35332691	B-23	35373117	C-18	35603349	B-51
35310622	B-60	35334853	B-19	35373125	C-18	35604180	B-59
35310960	C-12	35335124	C-5	35374453	B-3	35604636	B-3
35313303	B-16		C-6	35375385	C-3	35605187	B-3
35313428	B-30	35335363	B-19		C-7	35608694	C-13
35313568	B-21	35336304	B-18	35375427	B-9	35609544	B-5
35315126	B-8	35336700	B-12	35375963	B-4	35834795	B-17
35315209	B-10	35337328	B-62	35376094	B-4	35854149	B-42
35315217	B-10	35356302	C-20	35376110	C-14	35857036	B-16
35315241	B-8	35356310	C-20	35376169	B-59	35857176	B-43
35315258	B-9	35356328	C-19	35376433	C-18	35857382	B-14
35315274	B-10	35356336	C-19	35376946	B-14	35857408	B-14
35315340	B-8	35356369	C-19	35379064	B-44	35863638	B-33
35315357	B-8	35356377	C-19		C-5	35867885	C-17
35315365	B-8	35356401	C-19		C-9	36005031	B-21
35315373	B-8	35356484	C-4	35379387	B-10	36504180	B-54
35315944	B-6	35356500	C-4	35379395	B-10	36507515	B-18
35316868	B-10		C-6	35388024	B-47	36514602	B-69
35316876	B-10	35356526	B-3	35388032	B-47	36529691	B-69
35316884	B-10		C-24	35388040	B-47	36531176	B-69
35316959	B-9	35356864	B-11	35388628	C-17	36722460	B-24
35318757	B-10		C-16	35388636	C-17	36734507	B-23
35318831	B-10		C-17	35389964	B-30	36734515	B-17
35318849	B-10	35356872	B-11	35389972	B-30	36734879	B-3
35321173	C-13		C-16	35390459	B-10		C-19
35322346	B-43		C-17	35390814	B-11	36742880	B-6
35322379	B-43	35356930	B-9	35390822	B-11	36754893	C-25
	C-5	35357151	B-13	35393727	B-11	36755742	B-61
	C-8	35358274	B-17	35393834	C-16	36757581	B-54
35322395	B-31	35361328	B-18	35393842	C-16		B-59
	B-43	35361849	B-30	35393859	B-11	36763670	B-6
35322494	B-46	35361898	B-10	35393867	B-11		C-24
	C-12	35363498	B-28	35579630	B-35	36764785	B-18
35323591	C-12	35364975	B-18	35581792	B-37	36769032	B-63
35323682	C-14	35367044	B-65		B-41		C-23
35325083	B-32	35367051	B-65	35582410	B-52	36776128	B-15
35326503	B-42	35367317	B-39		B-59	36777399	C-13
35326560	C-14	35367325	B-39	35591163	B-23	36780609	B-52
35326578	C-14	35367366	B-39	35591171	B-24		B-59
35326958	B-8	35367374	B-39	35591189	B-23	36782167	B-29
35326966	B-9	35367846	B-42	35592534	B-23	36784436	C-14
35327204	B-23		C-4	35593508	B-19	36784874	B-8
35327303	B-48		C-8			36784882	B-8

## NUMERICAL INDEX

COMM.NO.	PAGE	COMM.NO.	PAGE	COMM.NO.	PAGE	COMM.NO.	PAGE
36785277	B-45	36866028	B-35	36889608	B-7	36920221	C-3
36785319	B-59	36866242	B-34		B-16		C-6
36786127	B-40	36866564	B-46		B-26	36920338	C-15
	C-3	36866911	B-16		B-52	36920346	C-15
	C-6	36866929	B-16		B-63	36920634	C-12
36786572	B-17	36867273	C-19	36891216	B-49	36920825	B-44
36787968	B-62	36867281	C-19		B-59		B-59
	B-65	36867489	C-19	36892362	B-51	36922144	B-62
36788081	B-63	36867554	B-44		B-59		B-65
	B-65	36867778	B-33		C-12	36922987	C-4
36793545	B-52	36867786	B-33	36893634	B-65		C-6
	B-59	36867794	B-33	36894129	B-65	37001252	C-20
36793602	B-60	36867851	C-16	36894699	C-19	37081528	C-4
36794147	B-37		C-17	36895225	B-9		C-7
	B-45	36867885	C-16	36895241	C-16	39179072	B-36
36794774	B-65	36870053	B-12	36895258	C-16	39227541	B-38
36794816	B-51	36870061	B-12	36895746	B-4	39253984	B-21
	B-62	36870079	B-12		B-14	39253992	B-20
36797652	B-63	36870087	B-12		B-26	39322706	B-21
	B-64	36870095	B-12		B-51	39326483	B-19
	C-11	36870103	B-12		B-52	39326749	B-20
	C-20	36870111	B-4		B-62	39326780	B-22
	C-23	36870129	B-12		B-64	39326798	B-22
36798346	B-18	36870145	B-12		C-9	39326806	B-22
36798361	B-18	36870608	B-54		C-20	39330626	B-20
36840411	B-45		B-59		C-23	39436977	B-22
36840460	B-44	36871689	B-47	36895779	C-16	39437686	B-22
36840841	B-41	36874675	C-15		C-17	39476973	B-46
	B-59	36875508	B-9	36895787	C-16	39890553	B-21
36841526	C-9	36876019	B-33		C-17	39891486	B-22
36841658	B-44	36877793	C-25	36895795	C-16	39911284	B-46
36842102	B-30	36879195	B-13		C-17	39911292	B-46
36844074	B-31		B-29	36895803	B-11	42437566	B-17
36844355	B-62	36879203	C-25	36895811	B-11	42437574	B-17
36844579	C-3	36879211	C-3	36895829	B-11	42437582	B-17
	C-7		C-7	36895837	B-11	54413117	B-69
36845014	B-30	36879492	B-35	36896975	B-52		B-70
36845022	B-30	36880623	B-7		B-59	54444427	B-27
36846400	B-18	36880698	B-14	36897148	B-24	54454756	B-69
36846418	B-19	36880995	B-28	36897346	B-47	54496773	B-42
36846426	B-19	36881704	B-32	36897668	B-34		B-59
36846442	B-19	36881886	B-7	36898096	B-50	54519202	B-64
36847432	B-14		B-16		B-53	54568753	B-69
36847440	B-13		B-26		C-20	54568761	B-70
36847838	B-54		B-28	36898104	B-50	54568779	B-69
	B-59		B-62		B-53	54568787	B-69
36848224	C-24		B-63		C-20	54568795	B-70
36851459	B-19	36881910	B-62	36898310	C-10	54568803	B-69
36851681	B-18		B-65	36898351	C-25	54604921	B-69
36853521	B-53	36881936	C-14	36898369	C-25	54604970	B-70
	B-59	36881944	B-43	36898401	C-12	54625207	B-69
36854495	B-42		B-59	36898492	B-36	54629902	B-69
36854677	C-9	36882223	C-7	36898500	B-36	54640024	B-69
36854925	B-18			36898922	C-8		B-70
36861540	C-14			36899599	C-12	54640164	B-70
36866010	B-35			36899615	C-12	54642327	B-52

## NUMERICAL INDEX

COMM.NO.	PAGE	COMM.NO.	PAGE	COMM.NO.	PAGE	COMM.NO.	PAGE
54699400	B-69	95934253	B-15	95952990	B-29		
54718184	B-64		B-17	95953758	B-38		
54718754	C-6	95934279	B-37	95953790	B-38		
54739024	C-9		B-41		B-40		
54749205	B-69	95934568	C-11		C-2		
	B-70	95934642	B-23		C-6		
54765383	B-52	95934998	B-13	95953899	B-42		
	B-59		B-48	95953907	C-3		
89303127	B-59	95935003	B-8		C-7		
89303135	B-59	95935011	B-4	95953949	C-14		
92276096	B-27		B-12	95953956	B-37		
92368687	B-48		B-36		B-45		
	B-51	95935029	C-11	95954038	B-30		
	C-15	95935037	B-15	95954087	B-12		
92912419	B-60		B-16	95954228	B-37		
94514454	C-8		B-29	95954293	B-43		
95022141	B-21		B-40	95954848	C-8		
95023073	B-20		B-51	95954863	C-8		
95023388	B-22	95935052	B-29	95959730	B-46		
95096806	B-21	95935086	B-13	95974663	B-46		
95220604	B-17	95935102	C-20	95976965	C-2		
95220844	C-14	95935235	B-12		C-6		
95220851	B-29	95935599	B-34	96700901	B-6		
95239927	B-20		B-49		B-17		
95245353	C-3	95938205	B-20	96701479	B-47		
	C-7	95938213	B-21	96701495	B-17		
95264776	B-29	95938221	B-20	96701743	B-13		
95280541	B-35	95938692	B-63	96701750	B-4		
95358164	B-18		B-65	96701917	B-17		
95365094	B-46	95938965	B-21	96702279	B-52		
95452025	C-7		B-47	96702287	B-23		
95469052	B-45	95939856	B-20		B-33		
	B-46		B-30	96702311	B-13		
95656260	B-21	95940060	B-37	96702329	B-35		
95772562	C-3	95940748	B-43	96702659	B-23		
	C-7		C-3	96702741	B-4		
95775599	B-49		C-7	96705983	B-22		
95871448	C-2	95942553	B-48	96706254	B-19		
95922134	B-63		C-15	96706262	B-21		
	B-65	95942595	C-12	96710488	B-15		
95923298	C-11	95942611	B-50	96712179	B-20		
95923314	B-12	95942637	B-50		B-22		
	B-48	95944104	B-38	96712187	B-18		
95923363	B-15	95944575	B-29	96716105	B-20		
	B-17		B-43	96716162	B-19		
95928222	B-24	95944641	B-38	96719869	B-43		
95928230	B-24		C-4	96727276	B-36		
	B-29		C-9	96735550	B-33		
	B-38	95944674	B-40	96738802	B-52		
95928313	C-6		C-2	96739958	B-8		
95928321	B-9		C-6				
95928800	B-50	95944708	B-37				
	C-12		B-41				
95928867	B-13	95944732	C-4				
95930301	B-44		C-8				
95934170	B-3	95951422	B-37				

## NUMERICAL INDEX

COMM.NO.	PAGE	COMM.NO.	PAGE	COMM.NO.	PAGE	COMM.NO.	PAGE
----------	------	----------	------	----------	------	----------	------

## WORD INDEX

### CPN

3 - Light Assembly .....B-65  
 3 - Part Warning Decal .....B-69

### A

Actuator  
     Hydraulic Brake .....B-3, C-19  
     Linear 24VDC .....C-10  
 Adapter .....B-24  
     1/2" Male NPT x 5/8" Hose .....C-14  
     1/8" NPT X M10-1.5 .....C-15  
     2.50-12 X 2.0 NPT .....B-38  
     2.5-12 X 2.0" NPT .....C-4, C-9  
     7/16-20 X 1/8" NPT w/ O-Ring .....B-54  
     9/16-18 X 1/4 NPT .....B-44  
     Barbed .....B-28  
     Flange .....B-36  
     M10-1.5 X 1/8" NPT w/ O-Ring .....B-54  
 Adaptor  
     Bulkhead 1/8" NPT X -4 JIC .....C-12  
 Aftercooler .....C-4, C-10  
 Air End Assembly (HP-675) .....B-17  
 Air End Assembly (HP-750 & XP-750) .....B-17  
 Air End Assembly (XP-825) .....B-17  
 Air End Warranty Decal .....B-70  
 Air Filter Assembly .....B-34  
 ALTERNATOR  
     ENGINE .....B-59  
 Alternator .....B-15  
 Axle Hydraulic Front .....B-9  
 Axle Hydraulic Rear .....B-9  
 Axle with Electrical Brake .....B-9

### B

Baffle  
     Air Intake .....C-2, C-5, C-11  
     Air Restriction .....C-5, C-10  
     Exhaust .....B-64  
     Fan .....B-25  
     Front Air Intake .....B-64  
     Left Front Air Intake .....B-64  
     Right Front Air Intake .....B-64  
     Top .....B-26  
 Bail  
     Lifting .....B-5  
 Band  
     Mounting .....B-33  
 Bar  
     Restriction .....C-25  
 Base  
     Jack .....B-12  
 Battery .....B-52, B-59  
 BATTERY CABLE  
     JUMPER .....B-59  
     NEGATIVE .....B-59  
     POS JUMPER .....B-59  
     POSITIVE .....B-59

Battery Gas Decal .....B-69  
 Beam  
     Axle .....B-10  
 Bearing  
     Female Rotor .....B-21  
     Inboard .....B-18  
     Outboard .....B-19  
     Taper Roller .....B-22  
     Thrust .....B-12  
 Bearing Male Rotor .....B-21  
 Bellypan  
     Air End .....B-7  
     Discharge .....B-5  
     Engine .....B-7  
     Front Outside .....B-7  
     Left Middle .....B-7  
     Rear Discharge .....B-7  
     Right Middle .....B-7  
 Body  
     Unloader .....B-23  
     Valve .....B-39  
 Brace  
     Cooler .....B-25  
     End Panel .....B-60  
 Bracket .....B-44  
     Air End Mounting .....B-17  
     Baffle Mounting .....B-64  
     Battery End .....B-52  
     Central Drains .....C-13  
     Charge Air Tube .....B-26  
     Engine .....B-15  
     Engine Exhaust .....B-27  
     Equalizer .....B-13  
     Hose .....C-20  
     Intake Baffle .....B-64  
     Left .....B-13  
     Lift .....B-36  
     OTBV .....B-47  
     Pintle Eye .....B-6  
     Relay .....B-53  
     Right .....B-14  
     Tee .....C-20  
 Bushing .....B-23  
     Coupling .....B-17  
     Piston .....B-24  
     Reducer 3/4 NPT X 3/8 NPT .....B-45  
     Reducing 1.0 NPT x 1/2 NPT .....B-37  
     Reducing 1/2" NPT X 3/8" NPT .....C-3, C-7  
     Reducing 1/4 NPT X 1/8 NPT .....B-44  
     Reducing 2.5" NPT X 2.0" NPT .....C-3, C-7  
     Reducing 3/4 NPT X 3/8 NPT .....B-37  
     Reducing 3/4" NPT X 1/2" NPT .....C-14  
     Reducing 3/8 NPT X 1/2 NPT .....B-43  
     Reducing 3/8 NPT x 1/8 NPT .....B-42  
     Reducing 3/8" NPT X 1/4" NPT .....C-3, C-7

## WORD INDEX

### C

Cable		Connector	B-31, B-63, B-65, C-18
Electric Brake	B-14	1.06-12 X -12 JIC w/ O-Ring	C-14
Hydraulic Brake	B-14	1/4 NPT X -6 IC	B-42
Jumper	B-52	1/4 NPT X -6 JIC	B-41
Negative	B-52	1/4 NPT X -8 JIC	B-43
Positive	B-52	1/4" NPT X -6 JIC	C-4, C-7, C-8
Positive Jumper	B-52	1/4" NPT X -8 JIC	C-13
Cap		2.5-12 X -32 JIC	C-4, C-6
-8 JIC	B-30	3/8 NPT X -6 JIC	B-41, B-44
Fuel	B-30	7 - Way	B-65
Radiator	B-28	7/16-14 X -6 JIC	B-46
Rain	B-16	7/16-20 X -6 JIC	B-46
Safe Vent 12 JIC	C-13	Male 1/4" NPT X 3/8" Tube	C-4
Shaft Guide	B-18	Male 1/8-28 BSPP X -4 JIC	C-9
Valve	B-39	Male 2" NPT X -32 JIC	C-5, C-6
Chain	C-18	Rubber	B-28
Chain Assembly	B-3	Cooler	
Check Valve Kit	B-39	Charge Air	B-28
CIRCUIT BREAKER		Oil	B-27
AIR INTAKE HEATER	B-59	Coupling	
Circuit Breaker 120A	B-53	1/4 NPT x 1.125"	B-29
Clamp	B-14, B-16, B-31	1/8 NPT x .75"	B-34
1.50" Rubber Support	B-51	1/8 NPT X 3/4"	B-49
1.50" Support	B-46	Air End/Engine	B-17
4.50" T-Bolt	B-34	Chain	B-3
4" Muffler	B-27	Cover	C-18
5.50" T-Bolt	B-34	Access	B-7
6.50" T-Bpltd	B-34	Dust Cap	B-10
7.75" T-Bolt	B-33	End Panel	B-61, C-22
Hose	B-27, B-29, C-14	Instrument Panel Rear	B-51
Mounting	B-16	Lift Bail	B-61, C-23
Muffler	B-38	Piston	B-23
Saddle	B-27, B-40, B-45	Rear Bearing	B-22
Saddle 2.0"	C-2, C-6	Rubber	B-10
Seal	B-16	Seal	B-18
Spring Loaded	B-27, B-28	Crank Assembly	B-12
Support	B-65, C-8	Cross	
Support 9/16"	B-29	1/4 NPT	B-43
Tube	C-20	Cup	
V-Band	B-16	Inner Bearing	B-10
Clean Coolers Decal (Both Sides)	B-69	Outer Bearing	B-10
Clevis	B-13, B-14	CV Assembly	B-39
Clip		Cylinder	
Hose	C-20	Master	C-18
Pull Pin	B-12	<b>D</b>	
Cold Start Assembly	C-15	Damper	C-18
Collapsing Jack Decal	B-69	Decal	
Complete Left Brake Assembly	B-11, C-16, C-17	Battery Disconnect	B-52
Complete Right Brake Assembly	B-11, C-16, C-17	Instrument Panel	B-49
Cone		Diaphragm	
Inner Wheel Bearing	B-10	Unloader	B-23
Outer Wheel Bearing	B-10	Diesel Fuel Decal	B-69
		DIODE PLUG	B-59
		Door	B-61
		Instrument Panel	B-48
		Overflow	C-22
		Side	B-60, C-22

## WORD INDEX

Drawbar	B-4	Engine Water Filter	B-15
Drop Leg and Sleeve	B-12	Equalizer	B-9
Drum		Eye	
Brake	B-10	Pintle	B-3, B-6
		Secure Lift	C-24
<b>E</b>		Eyebolt	B-48
Ejector		<b>F</b>	
Dust	B-33	Fall Off Unit Decal	B-69, B-70
Elbow		Fan Assembly	B-15
45° 2.5-12 X -32 JIC	C-4, C-8	Fender (Galvaneal)	B-5
45° -32 JIC Swivel Nut	C-2	Fender (Standard)	B-5
90° 1.31-12 X -20 JIC	B-46	Fiberglass	
90° 1.312-12 X -12 JIC	C-14	Left Side	B-66
90° 1.62-12 X -20 JIC w/ O-Ring	B-45	Filler	
90° 1/2 NPT X -8 JIC	B-38, B-41	Side Rail	B-61
90° 1/4 NPT X -6 JIC	B-43, C-15	Filter	
90° 1/4" NPT X -6 JIC	C-5, C-7	Primary	C-8
90° 1/8 NPT X -4 JIC	B-50	Secondary	C-7
90° 1/8" NPT X -6 JIC	C-15	Fitting	
90° -12 JIC Swivel Nut	C-14	Bulkhead -12 JIC X 3/4" NPT	C-13
90° 1-5/8-12 X -20 JIC	B-46, B-47	Bulkhead 3/4" NPT X -12 JIC	C-14
90° 2.0 NPT X -32 JIC	B-40	Lenz	B-45
90° 2" NPT X -32 Jic	C-3, C-6	Swivel	B-42
90° 3/4" NPT X -12 JIC	C-13	Tube	B-37
90° 3/4" NPT X -8 JIC	C-13	Flange	
90° -32 JIC Swivel Nut	C-6	Fill	B-30
90° -4 JIC Swivel Nut	C-9, C-12	Split	B-35
90° 7/16-20 X -6 JIC	B-46	Foam	
90° 7/8-14 x -10 JIC w/ O-Ring	B-32	Acoustic	C-2, C-3, C-5, C-11
90° -8 JIC Swivel Nut	C-13	Baffle	B-68
90° 9/16-18 X -4 JIC	B-46	Door	B-66
90° 9/16-18 X -6 JIC	B-46, C-4, C-8	Front	B-66, B-68
90° 9/16-18 X -8 JIC w/ O-Ring	B-43, C-13	Inst. Panel	B-68
90° Street 1.25 NPT	B-38	Left Door	B-66
90° Street 2.0 NPT	B-40	Left Side	B-66
90° Swivel Nut	B-44	Rear	B-66, B-67
90° Swivel Nut -10 JIC	B-31	Right Door	B-67
90° Swivel Nut -6 JIC	B-31	Right Side	B-67
90° Swivel Nut -8 JIC	B-31, B-43	Top	B-67
Compression	B-35, B-36	Frame	
Rubber	B-34	Door	B-61, C-22
Rubber 90°	B-33, B-34	HSRG	B-5
Street 90° 2.5" NPT	C-8	<b>G</b>	
Street 90° 2" NPT	C-2, C-6	Galvaneal Decal (Galvaneal Option)	B-69, B-70
Electrical Brake Harness	B-9	Gasket	B-23, C-18
Element		Discharge Flange	B-36
Fuel/Water Separator Filter	B-32	Flange Fill	B-30
Oil Filter	B-47	Fuel Sender	B-30
Primary	B-33	Unloader	B-17
Primary Filter	C-9	GAUGE	
Safety	B-33	4-IN-1	B-59
Secondary Filter	C-7	FUEL LEVEL	B-59
Separator	B-36	PRESSURE	B-59
Engine	B-15	TACHOMETER	B-59
Engine Belt	B-15		
Engine Fuel Filter	B-15		
Engine Fuel/Water Filter	B-15		
Engine Oil Filter	B-15		

## WORD INDEX

Gauge	
4 in 1 . . . . .	B-48
Fuel Level . . . . .	B-49
Pressure 250 PSI . . . . .	B-49
Gear Set (HP 750	
XP750) . . . . .	B-19
Gear Set (HP675) . . . . .	B-19
Gear Set (XP825) . . . . .	B-19
Genuine Parts Decal . . . . .	B-69, B-70
Grill	
Front End . . . . .	B-60
Left Front . . . . .	B-60
Left Hand Front . . . . .	C-22
Right Front . . . . .	B-61
Right Hand Front . . . . .	C-23
Grommet . . . . .	B-24, B-62, B-65
License Plate Screw . . . . .	B-65
Screw . . . . .	B-65
GROUND STRAP	
ENGINE . . . . .	B-59
FRAME . . . . .	B-59
Guard	
Bottom . . . . .	B-18
Fan . . . . .	B-25
Top . . . . .	B-18
<b>H</b>	
Handle . . . . .	B-60
Hanger	
Equalizer . . . . .	B-9
Front . . . . .	B-8
Rear . . . . .	B-9
HARNESS	
AIR INTAKE HEATER . . . . .	B-59
INSTRUMENT PANEL . . . . .	B-59
MAIN CHASSIS . . . . .	B-59
Harness	
Electric Brake Light . . . . .	B-65
Heater w/ Pressure Switch . . . . .	C-15
Instrument Panel . . . . .	B-51
IQ System . . . . .	C-12
Low Ambient Heater . . . . .	C-9
Harness	
Hydraulic Brake Lighting . . . . .	C-21
Head	
Oil Filter . . . . .	B-47
Heater	
24VDC 3/4" . . . . .	C-9
24VDC Regulator . . . . .	C-9
Engine Block . . . . .	C-15
Oil Pan . . . . .	C-15
High Pressure Air Decal . . . . .	B-70
Hinge	
Door . . . . .	B-60
Instrument Panel Door . . . . .	B-48
Instrument/Control Panel . . . . .	B-50
Holder	
Door . . . . .	B-51
Hose	
3/4" ID . . . . .	B-29
3/8 Fuel . . . . .	B-28
5/16 Fuel . . . . .	B-28
-8JIC x 48" . . . . .	B-32
Discharge . . . . .	B-35
Heater 5/8" . . . . .	C-14
Hump . . . . .	B-33
Lower Radiator . . . . .	B-27
Top Radiator . . . . .	B-27
Hose Assembly B-44, B-45, B-46, C-2, C-4, C-5, C-6,	
C-7, C-8, C-9, C-12, C-13, C-14, C-15, C-19	
-10 JIC x 16" . . . . .	B-32
-10 JIC x 34" . . . . .	B-32
-4 JIC . . . . .	B-42
-6 JIC . . . . .	B-41
-8 JIC . . . . .	B-41
Hot Pressurized Fluid Decal . . . . .	B-70
Hot Surface Decal . . . . .	B-69
HOURMETER . . . . .	B-59
Housing	
Gear Case . . . . .	B-19
Piston . . . . .	B-24
Rear Bearing . . . . .	B-21
Rotor . . . . .	B-20
<b>I</b>	
Improper Operation Decal . . . . .	B-69
Indicator	
Differential Pressure 20 PSI . . . . .	C-12
Differential Pressure 25 PSI . . . . .	C-12
Insert	
1/4 Tube . . . . .	B-36
INSTRUMENT PANEL ASSEMBLY . . . . .	B-59
Isolator	
Exhaust Rubber . . . . .	B-27
<b>J</b>	
Jack	
Drawbar . . . . .	B-4
<b>K</b>	
Key . . . . .	B-18
Coupling . . . . .	B-18



## WORD INDEX

### Kit

Adjusting Screw and Spring .....B-11  
Brake Spring .....C-16, C-17  
Cylinder Repair .....C-18  
Diaphragm Repair .....B-44, C-5, C-9  
Filter Mount w/ Wedge .....C-9  
Left Actuating Lever .....B-11  
Left Brake Cylinder .....C-16, C-17  
Left Shoe and Lining .....C-16, C-17  
Magnet .....B-11  
Right Actuating Lever .....B-11  
Right Brake Cylinder .....C-16, C-17  
Right Shoe and Lining .....C-16, C-17  
Shoe and Lining .....B-11  
Knob Assembly .....B-49

### L

#### LAMP

WAIT TO START .....B-59

Latch Assembly .....B-60

Left Backing Plate Assembly .....C-16

#### Lever

Parking Brake .....B-14

Lever Assembly .....C-18

Lifting Point Decal .....B-69

#### Light

Combo .....B-63

Identification .....B-62

License Plate .....B-62, B-65

Warning Module .....B-49

#### Lock

Left .....C-18

Right .....C-18

Louver Set .....C-10

### M

#### Meter

Hour .....B-49

Minimum Pressure Check Valve Assembly .....B-39

#### Mount

Rubber .....B-15, B-17

#### MountT

Sandwich .....C-25

Muffler .....B-16

### N

#### Nipple

2.5" NPT X 2.50" .....C-8

#### Nipple

1/2 NPT X 1.12" ..... B-37

1/4" NPT X 7/8" ..... C-7

Close 1/2 NPT X 1.12" ..... B-41

Close 1/4 NPT X .88" ..... B-43

Close 1/4 NPT x .88" ..... B-29

Close 3/8" NPT X 1.0" ..... C-3, C-7

Long 1.25 NPT X 4.50" ..... B-38

Short 1.0 NPT x 2.0" ..... B-37

Short 2.0 NPT X 2.50" ..... B-38, B-40

Short 2" NPT X 2.50" ..... C-2, C-6

No Ether Decal ..... B-69

No Weld Decal ..... B-69, B-70

Noise Emission Decal ..... B-69

Nut .....B-11, C-16, C-17

Equalizer ..... B-8

Hex 1/2-20 ..... C-20

Hex 5/16-24 ..... B-13

Hex 5/16-24 LH ..... B-14

Hex Flange M06-1.0 ..... B-50, B-53, C-20

Hex Flange M08 - 1.25 ..... B-16, B-28

Hex Flange M08-1.25 ..... B-7, B-63

Hex Flange M10-1.5 ..... B-13

Hex Flange M12-1.75 ..... C-25

Hex Flange M16-2.0 ..... C-3, C-7

Hex Lock #10-32 ..... B-50, C-12

Hex Lock #8-32 ..... B-50

Hex Lock 1/4-20 ..... C-11

Hex Lock 5/16-18 ..... B-48

Hex Lock M06-1.0 ..... B-63, C-23

Hex Lock M10-1.50 ..... B-51

Hex Lock Torq M20-2.5 ..... B-3

Hex Lock Washer #10-24 ..... B-63, B-65

Hex M08 - 1.25 ..... B-26

Hex M08.1.25 ..... B-62

Hex M10 - 1.50 ..... B-33

Hex M10-1.50 ..... B-29

Hex M12-1.75 ..... B-13

Hex M16-2.0 ..... B-4

Hex Torq 5/8-11 ..... B-3

Keeper ..... B-8

Lock 5/16-18 ..... B-12

Lug ..... B-10

Nyloc 3/4-10 ..... B-15, B-17

Nylock M20-2.50 ..... B-4

Plastic ..... B-49

Shackle ..... B-8

Spindle ..... B-10

Torq 9/16-18 ..... B-12

Torq M20-2.50 ..... C-24

Wing ..... B-33

NutHex 1/2-20 ..... B-9

#### Nutsert

Hex M08 B-4, B-14, B-26, B-51, B-52, B-62, B-64,  
C-9, C-20, C-23

### O

Oil Fill Plug Decal ..... B-70

## WORD INDEX

Oil Level Decal . . . . .	B-70	Plate	
Operating Instructions Decal . . . . .	B-69	Baffle . . . . .	B-64
Operating Instructions Symbols . . . . .	B-69	Clamp . . . . .	B-19
OPTION - EMERGENCY STOP CONTACT . . . . .	B-59	Cover . . . . .	B-20, B-25
OPTION - EMERGENCY STOP HARNESS . . . . .	B-59	Left Backing	
OPTION - EMERGENCY STOP OPERATOR . . . . .	B-59	Assembly . . . . .	B-11
Orifice		Lifting . . . . .	B-6
.063" . . . . .	C-4, C-7	Retainer . . . . .	B-20
.094" . . . . .	C-5, C-8	Right Backing	
.156" . . . . .	B-43	Assembly . . . . .	B-11
Injection 14 MM . . . . .	B-20	Serial Number . . . . .	B-51
O-Ring . . . . .	B-18, B-20, B-21, B-22, B-24, B-27, B-32, B-35, B-39, B-42, B-44, B-45, B-47, C-14	Tie . . . . .	B-8
<b>P</b>		Valve . . . . .	B-24
Pad		Plug . . . . .	B-21, B-35, B-62
Battery Heater . . . . .	C-15	1-5/16-12 w/ O-Ring . . . . .	B-30
Panel		Filler . . . . .	B-35
Fender Support . . . . .	B-5	Hex 1.31-12 . . . . .	B-20
Front End . . . . .	B-60, C-22	Hex 1/4 NPT . . . . .	B-30
Front Top . . . . .	B-61, C-22	Hex 7/16-20 . . . . .	B-47
Instrument . . . . .	B-49	Hex 7/8-14 . . . . .	B-20
Instrument and Diagnostic . . . . .	B-50	Hex 9/16-18 . . . . .	B-20
Left Hand Rear . . . . .	C-22	Hex 9/16-18 w/ O-Ring . . . . .	B-24, B-29
Left Rear . . . . .	B-60	Hex Countersink 1/4 NPT . . . . .	B-24, B-29, B-38
Lower Side . . . . .	B-60, C-22	Hex Countersink 3/8 NPT . . . . .	B-24
Rear End . . . . .	B-60, C-22	Hole 5/8" . . . . .	B-51
Right Rear . . . . .	B-61, C-23	Plugs	
Top Center . . . . .	C-22	Hole . . . . .	B-60
Top Middle . . . . .	B-61	Protector	
Top Rear . . . . .	B-61, C-22	Thread . . . . .	B-28
Panel Assembly		<b>R</b>	
Instrument . . . . .	B-48	Radiator . . . . .	B-28
Parts Ordering . . . . .	A-1	Rail	
Pin . . . . .	B-13, C-24	Top Side . . . . .	B-61, C-23
Cotter . . . . .	B-13	Receptacle	
Dowel . . . . .	B-20, B-21	Quarter Turn . . . . .	B-51
Pull . . . . .	B-12	Red Light Assembly . . . . .	B-65
Quick Release . . . . .	B-5	Reducer	
Quick Release Chain and . . . . .	B-62	Rubber . . . . .	B-27
Pipe		RELAY	
Exhaust . . . . .	B-16	AIR INTAKE HEATER . . . . .	B-59
Safety Valve . . . . .	B-38	STARTER SOLENOID . . . . .	B-59
Service . . . . .	B-40	SWITCHED POWER . . . . .	B-59
Turbo . . . . .	B-16	Relay . . . . .	B-51, B-53
Piston		24 VDC . . . . .	C-12
Unloader . . . . .	B-23	Repair Kit	
		O-Ring . . . . .	B-47
		Relief Valve . . . . .	B-47
		Thermostat Element . . . . .	B-47
		Retainer . . . . .	B-50
		Bearing . . . . .	B-22
		Right Backing Plate Assembly . . . . .	C-16
		Ring	
		Snap . . . . .	B-21
		Rivet . . . . .	B-62
		.187 Black Stainless . . . . .	B-51
		Rod	
		Link . . . . .	B-13

## WORD INDEX

Rotating Fan Decal .....B-69

## WORD INDEX

### S

Screw	B-21, B-30	Slotted Hex 1/4-10 X 3/4" Type AB	B-64
Equalizer	B-8	Slotted Rd Head #10-24 X 1"	B-63, B-65
Hex #10-32 x 1.0"	B-30	Tapping M06-1.0 X 12	B-63, B-64, C-11, C-20, C-23
Hex 1/2-13 x 1.0"	B-23	Tapping M06-1.0 x 14	B-48, B-51, C-15
Hex 1/4-20 X 2"	C-11	Tapping M06-1.0 X 20	B-63, B-65, C-23
Hex 3/4-10 x 4.0"	B-15, B-17	Tapping M08 - 1.25 X 20	B-16, B-26, B-27, B-31, B-34, B-46, B-47, B-51, B-52, B-53, B-62, B-64, B-65, C-3, C-9, C-10, C-13, C-15, C-20, C-23, C-24
Hex 5/16-18 x 1.50"	B-12	Tapping M08-1.25 x 20	B-6
Hex 5/8-11 x 3.0"	B-3	Screw Hex M20-2.5 x 45	B-3
Hex 9/16-18 x 3.50"	B-12	Seal	B-24
Hex Flange 3/8-16 x 1.25"	B-32	Door	B-62, C-23
Hex Flange M06-1.0 X 20	B-50, B-53, C-20	Hub	B-10
Hex Flange M08 - 1.25 X 25	B-16	Shaft	B-19
Hex Flange M08-1.25 X 25	B-52, B-63	Seal Weather	C-18
Hex Flange M08-1.25 x 25	B-7	SENDER	
Hex Flange M10-1.50 x 30	B-28	ENGINE OIL PRESSURE	B-59
Hex Flange M12-1.75 X 25	B-35	FUEL LEVEL	B-59
Hex Flange M12-1.75 X 40	C-25	TEMPERATURE A/E	B-59
Hex Flange M20-2.50 X 70	B-36	TEMPERATURE ENGINE	B-59
Hex M06 - 1.0 X 12	B-20	Sender	
Hex M08 - 1.25 X 25	B-26	Fuel	B-30
Hex M08-1.25 x 20	B-7	Pressure 150 PSI	B-54
Hex M08-1.25 X 25	B-23	Temperature 0-300° F	B-54
Hex M08-1.25 x 30	B-14	SENSOR	
Hex M10 - 1.50 X 16	B-47	COOLANT LEVEL	B-59
Hex M10 - 1.50 X 25	B-23, B-33	MAG SPEED	B-59
Hex M10 - 1.50 X 30	B-17	TEMPERATURE A/E DISCHG	B-59
Hex M10 - 1.50 X 35	B-22	TEMPERATURE SEP TANK	B-59
Hex M10-1.5 X 70	B-14	Sensor	
Hex M10-1.50 X 20	B-52	Coolant Level	B-54
Hex M10-1.50 x 80	B-15	Temperature	B-38, C-8
Hex M12 - 1.75 X 25	B-17	Temperture 1/2 NPT	B-54
Hex M12 - 1.75 X 30	B-18	Set	
Hex M12 - 1.75 X 35	B-20, B-22, B-35	Rotor	B-21
Hex M12-1.75 X 20	B-43	Shim	B-19
Hex M12-1.75 x 30	B-13	Shaft	
Hex M12-1.75 x 60	B-15	Drive	B-18
Hex M12-1.75 x 70	B-8	Shim	
Hex M16 - 2.0 X 40	B-19	Rear Bearing .0254 mm	B-22
Hex M16 - 2.0 X 55	B-20	Rear Bearing .0762 mm	B-22
Hex M16-2.0 x 120	B-4	Rear Bearing .2540 mm	B-22
Hex M16-2.0 X 35	B-19	Shim Set	B-22
Hex M16-2.0 X 40	C-3, C-7	S-Hook	C-18
Hex M16-2.0 X 50	B-36	Shroud	
Hex M20 - 2.50 X 40	B-17	Fan	B-25
Hex M20 - 2.50 X 45	B-17	Silencer	B-31
Hex M20-2.5 x 75	B-4	Pneumatic 1/4 NPT	B-43
Hex M20-2.50 x 40	B-6	SOLENOID VALVE	
Hex M20-2.50 x 60	B-6, C-24	START-RUN	B-59
Hex Socket Cap 3/8-16 x .75"	B-17	UNLOADER	B-59
Hex Socket Cap M16-2.0 x 25	B-17	Spacer	B-13, B-14, B-18, B-19, B-21
Keeper	B-8	Equalizer	B-9
Low Head Hex Soc Cap M10 - 1.50 X 25	B-18	Fan	B-15
Pan Head #10-32 X 1/2"	C-12	Shackle	B-8
Pan Head #10-32 X 7/8"	B-50		
Pan Head #8-32 X 5/8"	B-48, C-15		
Round Head #4-40 X 1/2"	B-49		
Shackle	B-8		

## WORD INDEX

Spring . . . . .	B-36, B-48	Switch	
Gas . . . . .	B-62	Battery Disconnect . . . . .	B-52
Large . . . . .	B-39	Break-Away . . . . .	B-6
Piston . . . . .	B-23	Pressure 12 PSI . . . . .	B-54
Slipper . . . . .	B-8	Rocker . . . . .	C-12
Small . . . . .	B-39	Start . . . . .	B-49
Valve . . . . .	B-23	Vacuum . . . . .	B-54
STARTER		Warm-Up . . . . .	B-48
ENGINE . . . . .	B-59		
Starter Motor . . . . .	B-15	<b>T</b>	
Stem		Tachometer . . . . .	B-48
Valve . . . . .	B-10, B-23	Tank	
Step		Fuel . . . . .	B-30
Folding . . . . .	B-5	Separator . . . . .	B-35
Stiffener		Tee	
A/E Air Cleaner Suppot . . . . .	B-34	1.0 NPT . . . . .	B-37
Engine A/F . . . . .	B-34	1/8 NPT X -4 JIC . . . . .	B-42
Stop		3/16" Inverted Flare . . . . .	C-19
Turn		-32 JIC Swivel Nut Run . . . . .	C-2, C-6
Tail Light Assembly . . . . .	B-65	-4 JIC Swivel Nut Branch . . . . .	C-12
Strainer		-6 JIC Branch Swivel Nut . . . . .	B-42
Fuel . . . . .	B-30	9/16 -18 Run X -6JIC Swivel Nut . . . . .	B-42
Strap		Pipe 1/4" NPT . . . . .	C-7
Foam Retention . . . . .	B-64	Run 1/4 NPT X -6 JIC . . . . .	B-44
Ground . . . . .	B-52	Street 1/2 NPT . . . . .	B-37, B-41
Strip		Swivel Nut Run -8 JIC . . . . .	B-43
Charge Air . . . . .	B-26	Terminal	
Stud		Snap . . . . .	B-9
1/4 Turn Slotted . . . . .	B-50	Tire . . . . .	B-10
Hex Ball M08 . . . . .	B-62	Tow Chains Decal . . . . .	B-69
Hub . . . . .	B-10	TRANSDUCER	
Support . . . . .	B-27	REGULATION PRESSURE . . . . .	B-59
A/E Air Cleaner . . . . .	B-33	SEP TANK PRESSURE . . . . .	B-59
Actuator . . . . .	C-10	Transducer	
Aftercooler . . . . .	C-5, C-10	Pressure . . . . .	B-42
Battery Disconnect . . . . .	B-52	Pressure 100 PSI . . . . .	B-44
Bottom Cooler . . . . .	B-25	Tray	
Charge Air Cooler . . . . .	B-25	Bottom Battery . . . . .	B-52
Cold Start . . . . .	C-15	Top . . . . .	B-52
Cooler . . . . .	B-25, B-26	Trim	
Engine A/F . . . . .	B-34	Edge Protector . . . . .	B-26
Exhaust . . . . .	B-16	Tube . . . . .	B-46
Fuel Filter . . . . .	B-32	A/E Air Intake . . . . .	B-33
IQ Filter . . . . .	C-10	Charge Air Out . . . . .	B-27
Louver . . . . .	C-10	Engine Air Intake . . . . .	B-34
Lower Mounting . . . . .	C-25	Inner . . . . .	B-12
LRG Upper . . . . .	C-25	Lower Charge Air . . . . .	B-28
Oil Cooler . . . . .	B-25	Outer . . . . .	B-12
Top Cooler . . . . .	B-26	Scavenge . . . . .	B-37, B-45
Water Separator . . . . .	C-3, C-11	Sight . . . . .	B-35
Wire Routing . . . . .	B-17	Unloader . . . . .	B-44
SWITCH		Upper Charge Air . . . . .	B-28
AIR FILTER RESTRICTION . . . . .	B-59	Tube Assembly B-43, B-45, B-46, C-2, C-4, C-6, C-8, C-19	
AIREND OIL PRESSURE . . . . .	B-59	Service . . . . .	C-2, C-6
BATT DISCONNECT . . . . .	B-59	Tubing	
KEY START . . . . .	B-59	3/8" Synflex . . . . .	C-4
START-RUN . . . . .	B-59		

## WORD INDEX

### U

U-Bolt	
1/2-20	B-9
Union	B-45, B-46
3/16" X 3/16" Inverted Flare	C-19
Bulkhead -8 JIC	C-13
Female 2.5" NPT	C-8
Unit	
Temperature Control	C-12
Unloader Assembly	B-17

### V

Valve	
.040" Check	B-44
2" NPT Ball	C-2, C-6
3/4" T-Handle Ball	C-13
3-Way	C-4, C-6
Anti-Rumble	B-24
Ball	B-37, B-40, B-41
Bib	B-29
Blowdown	B-43, C-5, C-8
Check	B-45, C-3, C-6
Drain M18-1.5	C-14
Min. Pressure	B-37
Minimum Pressure	B-40, C-4, C-9
Piston	B-39
Pressure Regulator	B-42
Safety	B-38
Solenoid	B-41, B-43
Vent Hose Assembly	B-31
Vin Decal	B-69

### W

Washer	B-11, B-13, C-16, C-17
External Star #10	B-63
External Tooth Lock	B-65
Flat	B-4, B-8, B-9, B-12, B-15, B-29, B-36, B-40, B-48, B-51, C-11
Piston	B-23
Snubber	B-15, B-17
Spindle	B-10
Washer (on Clamps)	B-16
Water Separator	C-3, C-8
WEDGE CONTROLLER	B-59
Wedge Module	B-50
Well	
Thermostat	C-15
Wheel	B-10

### Y

Yellow Light Assembly	B-65
Y-Strainer	
3/8" NPT	C-3, C-7



Ingersoll Rand Company  
Utility Equipment  
P.O. Box 868 - 501 Sanford Ave  
Mocksville, N.C. 27028