

# PARTS MANUAL



**Doosan Infracore**  
Portable Power

**LSC (E06)**

**LIGHT TOWER**

*Doosan purchased Bobcat Company from Ingersoll-Rand Company in 2007. Any reference to Ingersoll-Rand Company or use of trademarks, service marks, logos, or other proprietary identifying marks belonging to Ingersoll-Rand Company in this manual is historical or nominative in nature, and is not meant to suggest a current affiliation between Ingersoll-Rand Company and Doosan Company or the products of either.*

Doosan Infracore Portable Power  
1293 Glenway Drive  
Statesville, N.C. 28625  
[www.doosanportablepower.com](http://www.doosanportablepower.com)

Book: 46551817 Revision B (9/10)

**Revised (01-13)**





**TABLE OF CONTENTS**  
**Parts Book**

<b>TITLE</b>	<b>PAGE</b>
<b>Parts List</b>	
Running Gear Assembly . . . . .	6
Running Gear Assembly . . . . .	7
Generator and Mounting . . . . .	8
Generator Internal Parts . . . . .	9
Engine Assembly . . . . .	10
Engine Assembly . . . . .	11
Radiator Assembly . . . . .	12
Muffler . . . . .	13
Air Cleaner & Fuel Lift Pump . . . . .	14
Fuel Tank Mounting . . . . .	15
Fuel Tank Piping . . . . .	16
Battery and Mounting . . . . .	17
Instrument / Control Panel Assembly . . . . .	18
Instrument / Control Panel Assembly . . . . .	19
Ballast Assembly . . . . .	20
Frame, Winch, Jacks and Hitch . . . . .	21
Tower Brackets . . . . .	22
Tower Brackets . . . . .	23
Enclosure . . . . .	24
Decal Location . . . . .	25
Decal Location . . . . .	26
Lights and Fender . . . . .	27
Lamp / Socket Assembly . . . . .	28
Lamp / Socket Assembly . . . . .	29
Bottom Tower Assembly . . . . .	30
Bottom Tower Assembly . . . . .	31
Middle Tower Assembly . . . . .	32
Top Tower Assembly . . . . .	33
Cable Routing . . . . .	34
 <b>Wiring Diagrams</b>	
Wiring Diagram - Engine Harness . . . . .	39
Wiring Diagram - Lighting Wire Harness . . . . .	40

# Parts Book



# Parts Ordering

## **GENERAL**

This publication, which contains an illustrated parts breakdown, has been prepared as an aid in locating those parts which may be required in the maintenance of the unit. Always insist on genuine Ingersoll Rand branded parts for your unit.

**Doosan Infracore Portable Power can bear no responsibility for injury or damages resulting directly from the use of non-approved repair parts.**

Portable Power service facilities and Ingersoll Rand parts are available worldwide. Consult local yellow pages or visit: [www.doosanportablepower.com](http://www.doosanportablepower.com).

Special order parts may not be included in this manual. Contact the Portable Power Parts Department with the unit serial number for assistance with these special parts.

### **Description**

The illustrated parts breakdown illustrates and lists the various assemblies, subassemblies and detailed parts which make up this particular machine. This covers the standard models and the more popular options that are available.

In referring to the rear, the front or to either side of the unit, always consider the drawbar end of the unit as the front.

Standing at the rear of the unit facing the drawbar (front) will determine the right and left sides.

### **Fasteners**

Both SAE/inch and ISO/metric hardware have been used in the design and assembly of these units. In the disassembly and reassembly of parts, extreme care must be taken to avoid damaging threads by the use of wrong fasteners.

### **How To Order**

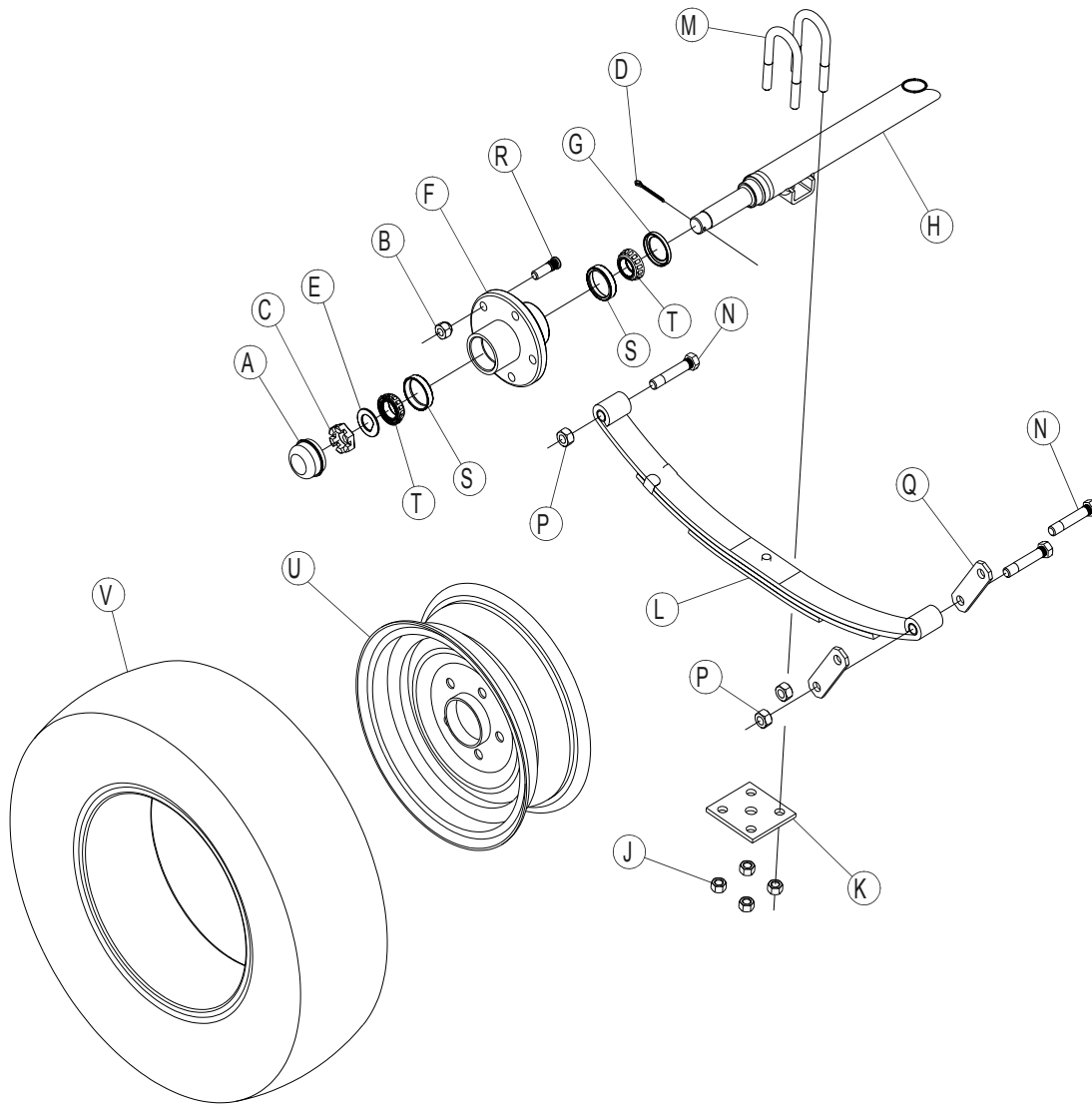
Always specify the model and serial number of the unit.

Specify the part number and description.



# Parts List

## Running Gear Assembly



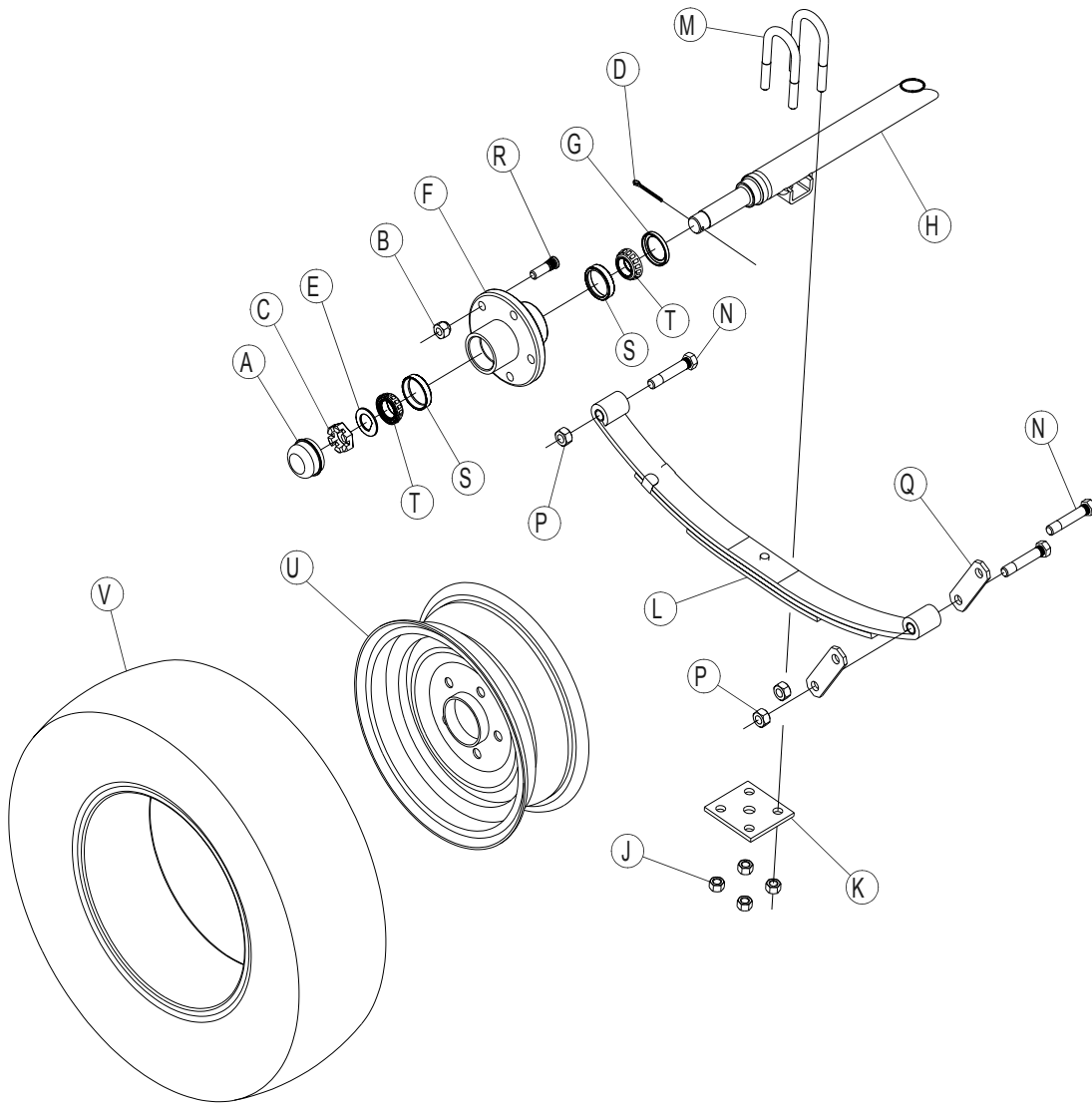
46551817\_011\_10/09\_A

ITEM	COMM. NO.	DESCRIPTION	QTY	DIMENSIONS/NOTES
A	22885073	Cap, Grease	2	
B	35315274	Nut, Wheel	10	
C	22885057	Nut, Spindle	2	
D	22885065	Pin, Cotter	2	
E	22885040	Washer	2	
F	46544540	Hub Assembly	2	
G	46544557	Seal, Grease	2	
H	46544565	Beam, Axle	1	
J	22885115	Nut, U-Bolt	8	
K	46544532	Plate, Tie	2	
L	46544516	Spring, Double Eye	2	
M	46544524	U-Bolt	4	

**Continued....**



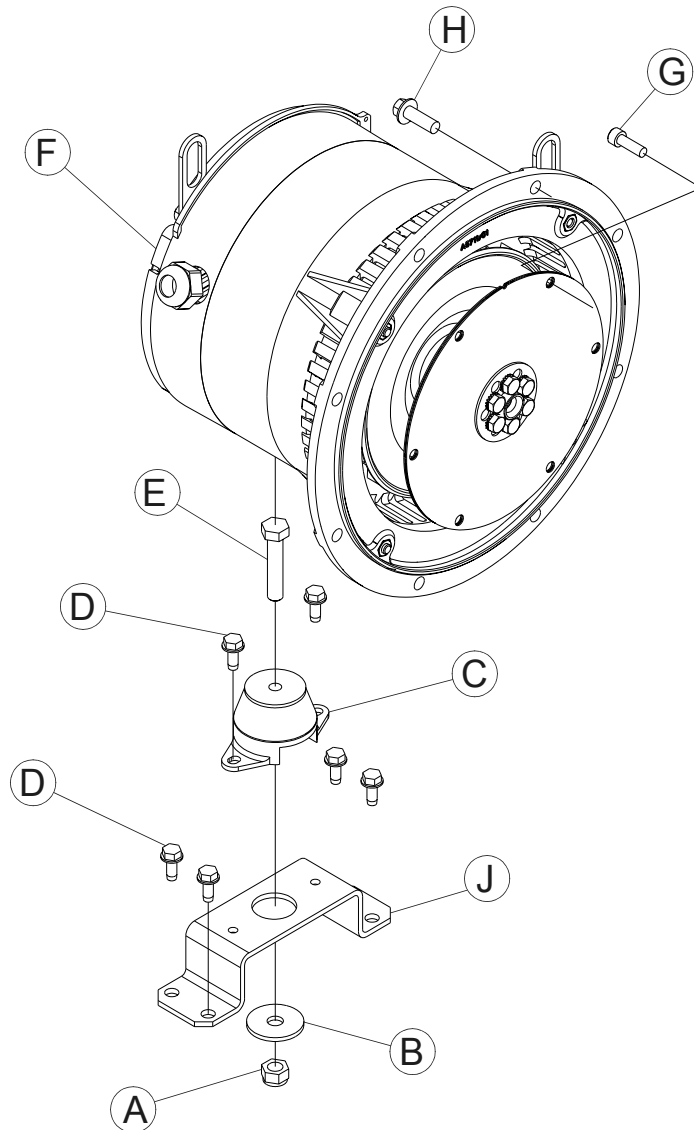
## Running Gear Assembly



46551817\_012\_10/09\_A

ITEM	COMM. NO.	DESCRIPTION	QTY	DIMENSIONS/NOTES
N	22885131	Bolt, Front	6	..... <b>Continued</b>
P	22888309	Nut, Top Lock	6	9/16" - 18 X 3"
Q	46544508	Shackle	4	9/16" - 18
R	22885081	Stud, Wheel	4	9/16" - 18 X 3"
S	22885024	Cup, Bearing Outer	4	
T	22885016	Cone, Bearing Outer	4	
U	22246268	Tire	2	ST175/80D13
V	46541587	Wheel	2	
W	44033074	Tire and Wheel Asm (Not Shown)	2	
X	35282565	Stem, valve Asm (Not Shown)	2	

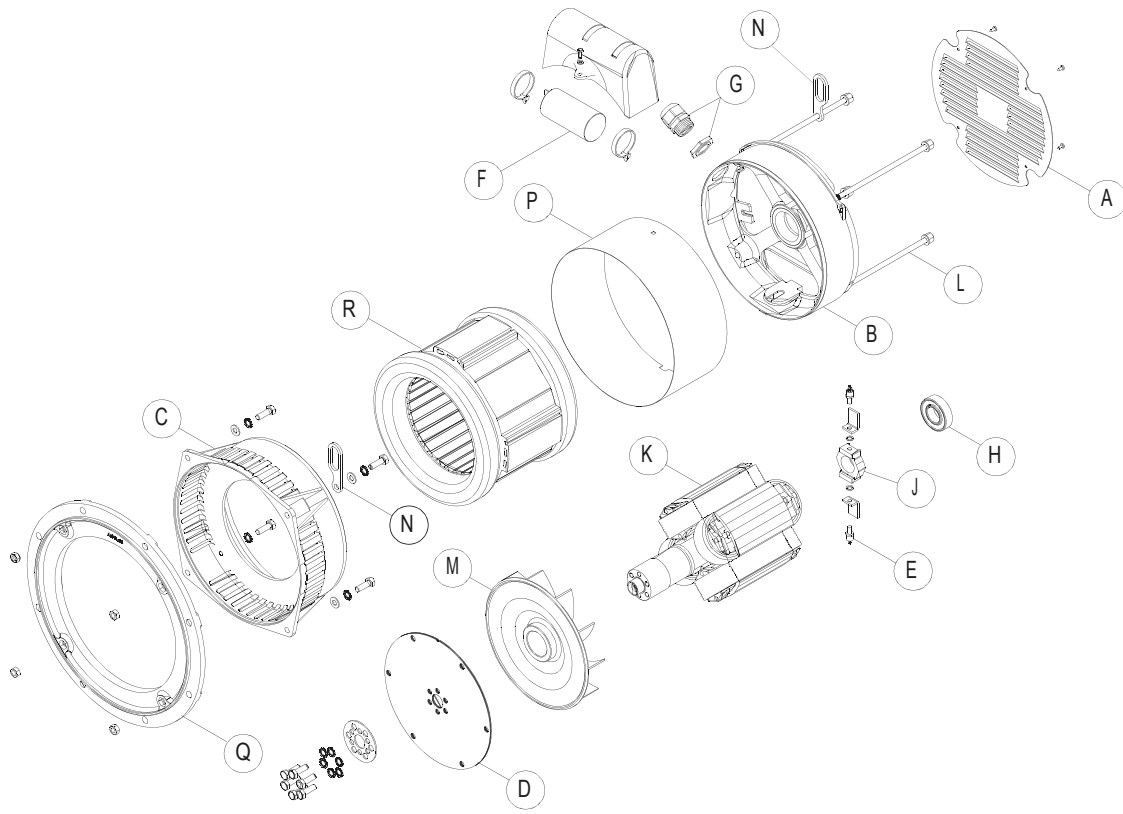
## Generator and Mounting



46551817\_013\_10/09\_A

ITEM	COMM. NO.	DESCRIPTION	QTY	DIMENSIONS/NOTES
A	35273366	Nut	1	M10 - 1.5
B	36899037	Washer	1	
C	46548186	Isolator, 180 lb	1	
D	35279025	Screw	6	
E	96730411	Screw	1	M12 - 17.5 X 60
F	46497723	Generator	1	6KW
G	96708037	Screw	6	M8 - 1.25 X 25
H	36786671	Screw	8	M10 - 1.5 X 30
J	46497335	Support, Generator	1	

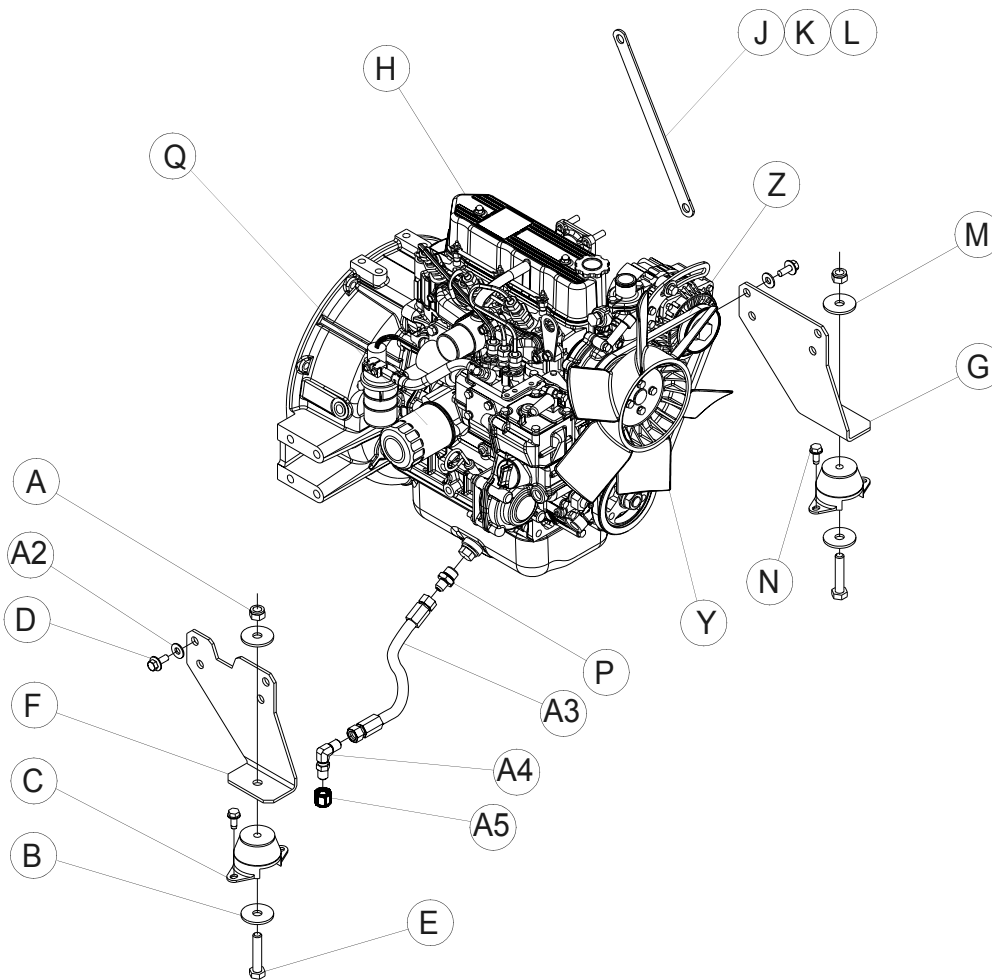
## Generator Internal Parts



46551817\_013\_10/09\_A

ITEM	COMM. NO.	DESCRIPTION	QTY	DIMENSIONS/NOTES
A	46549663	Seal, Rear	1	
B	46549671	Bracket, NDE	1	
C	46549689	Bracket, DE	1	
D	46549747	Plates, Disc Ring	3	
E	46549721	Diodes	2	
F	46549754	Capacitor	1	
G	46549804	Nut, Cable Gland	1	
H	46549713	Bearing, Rear	1	
J	46549796	Support, Diode Heat Sink	1	
K	46549697	Rotor Assembly	1	
L	46549739	Bolt, Cover Stay	4	
M	46549705	Fan	1	
N	46549812	Hook, lifting	1	
P	46549762	Band, Closing	1	
Q	46549770	Flange, Interchangeable	1	
R	46549788	Stator, Wound	1	

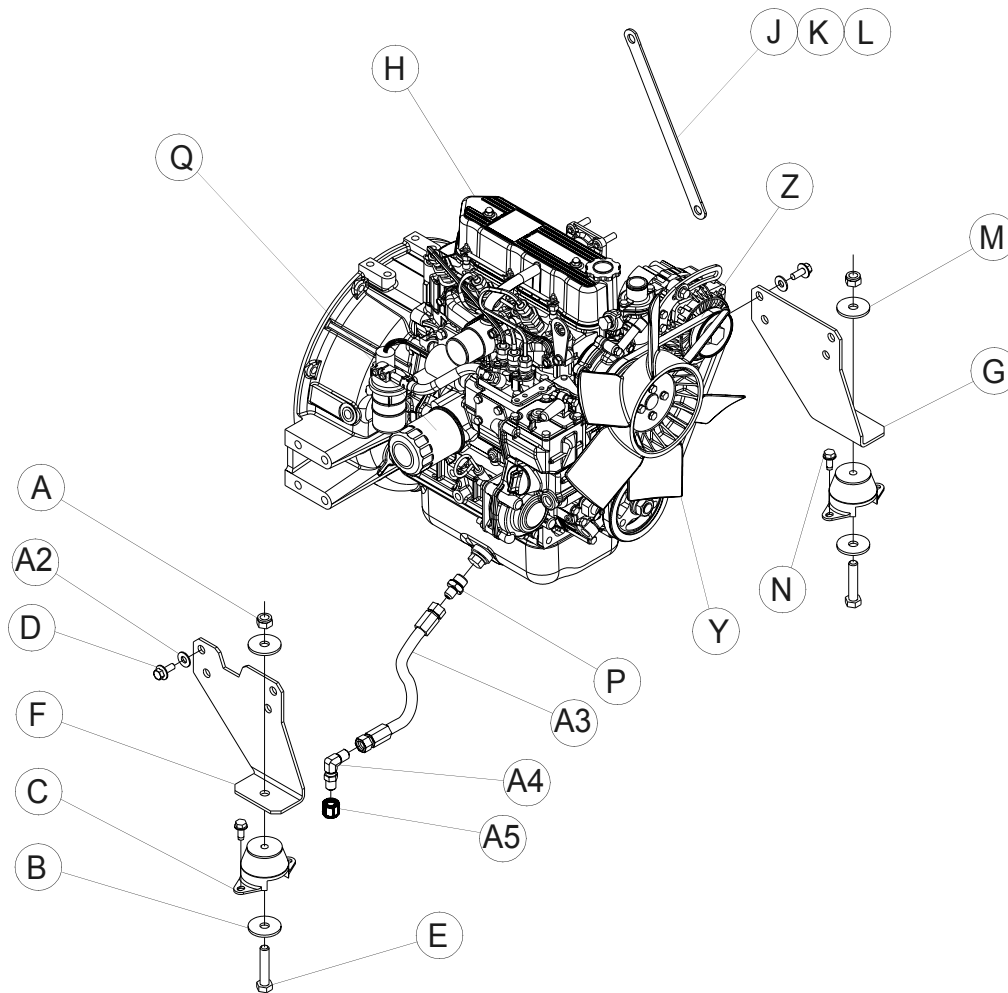
## Engine Assembly



46551817\_014\_10/09\_A

ITEM	COMM. NO.	DESCRIPTION	QTY	DIMENSIONS/NOTES
A	35273366	Nut	2	M10 X 1.5
B	36899037	Washer	2	
C	46548186	Isolator, 180 lb	2	
D	36795326	Screw	6	M10 - 1.25 X 25
E	96730411	Screw	2	M10 - 1.50 X 60
F	46498093	Bracket, Mounting LH	1	
G	46498101	Bracket, Mounting RH	1	
H	46498069	Engine	1	
J	35293075	Strap, Ground	1	
K	96729595	Screw (to Flywheel Housing Assy)	1	M12 - 1.25 X 30
L	35130293	Screw (to Frame Assy)	1	3/8" - 16 X 3/4"
M	95934907	Washer	2	
N	35279025	Screw, Tapping	4	M8 - 1.25 X 20
P	46546743	Fitting	1	M18 X -6JIC
				<b>Continued....</b>

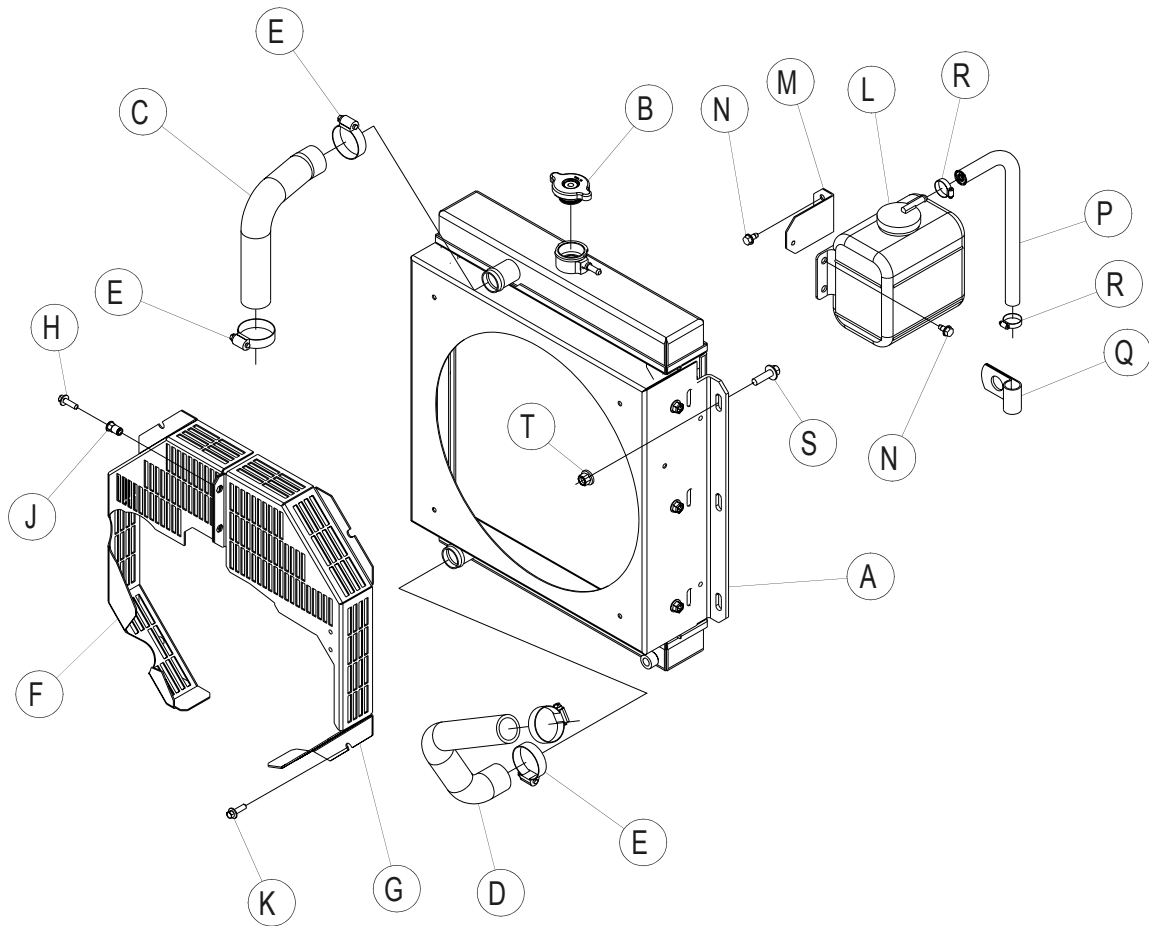
# Engine Assembly



46551817\_016\_10/09\_A

ITEM	COMM. NO.	DESCRIPTION	QTY	DIMENSIONS/NOTES	
Q	46549580	Filter, Engine Oil	1	<i>.....Continued</i>	
R	46549598	Filter, Engine Fuel (Not Shown)	1		
S	22173561	Filter, Engine Air Complete (Not Shown)	1		
T	36890135	Element, Air Filter (Not Shown)	1		
U	46549606	Switch, Oil Pressure (Not Shown)	1		
V	46549614	Switch, Temp (Not Shown)	1		
W	46549622	Solenoid Assembly, Engine (Not Shown)	1		
X	46549648	Alternator (Not Shown)	1		
Y	46549572	Engine Fan	1		
Z	36888493	Fan Belt	1		
A1	46549655	Starter (Not Shown)	1		
A2	95934907	Washer	6		
A3	35282953	Hose	1		
A4	46546768	Bulkhead Connector	1		90 deg X -6JIC
A5	46546750	Nut	1		-6JIC

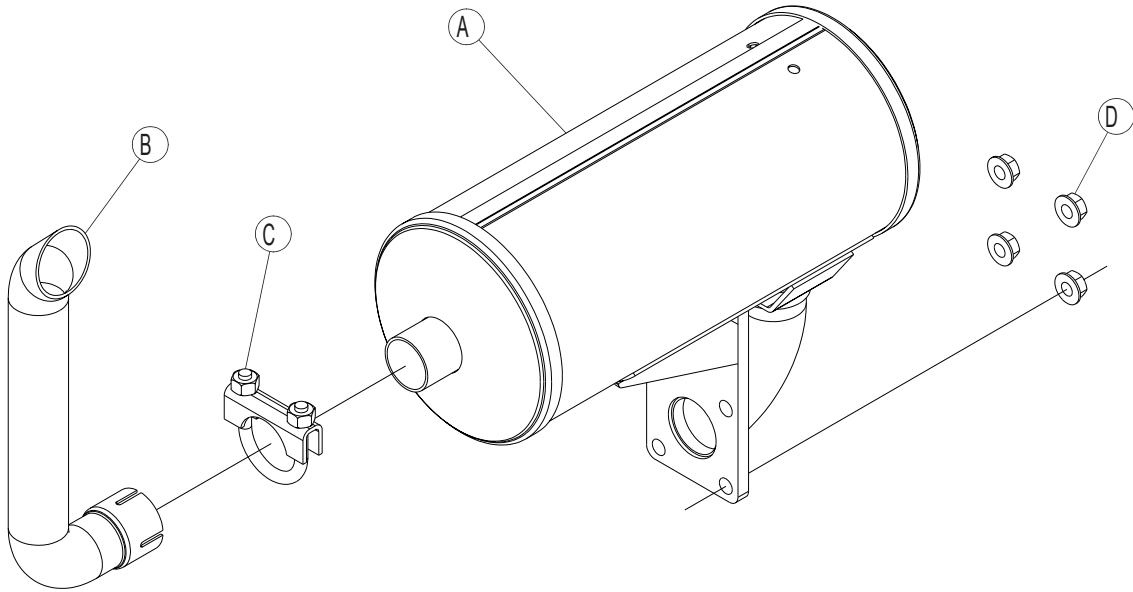
## Radiator Assembly



46551817\_016\_10/09\_A

ITEM	COMM. NO.	DESCRIPTION	QTY	DIMENSIONS/NOTES
A	46499398	Radiator, Aluminum	1	
B	46548715	Cap, Radiator	1	
C	46498630	Hose, Radiator Top	1	
D	46498648	Hose, Radiator Bottom	1	
E	95220851	Clamp	4	
F	46499661	Guard, Fan LH Side	1	
G	46499653	Guard, Fan RH Side	1	
H	36898096	Screw	2	M6 - 1.0 X 20
J	36921344	Nutsert	2	M6 - 1.0
K	36898096	Screw	4	M6 - 1.0 X 20
L	36884948	Bottle, Coolant Overflow	1	
M	46547303	Bracket, Overflow Bottle	2	
N	36797652	Screw	4	M6 - 1.0 X 12
P	35363498	Hose, Fuel	25"	
Q	35225077	Clamp, Support	2	
R	35296342	Clamp	2	
S	36889608	Screw	6	M8 - 1.25 X 25
T	36881886	Nut	6	M8 - 1.25

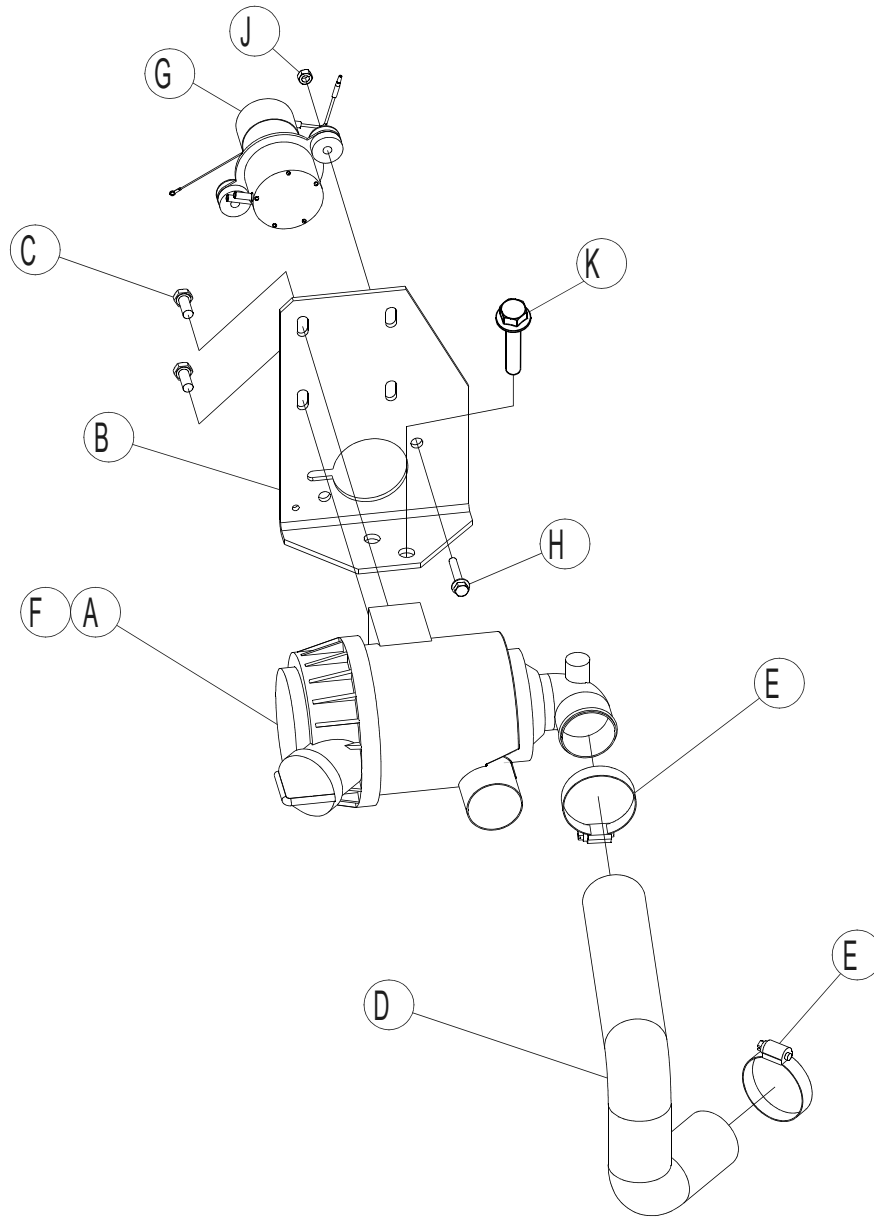
# Muffler



46551817\_023\_10/09\_A

ITEM	COMM. NO.	DESCRIPTION	QTY	DIMENSIONS/NOTES
A	46546719	Muffler Assembly	1	
B	46541348	Pipe, Exhaust	1	
C	46556149	Clamp	1	
D	36881886	Nut	4	M8 - 1.25

# Air Cleaner & Fuel Lift Pump

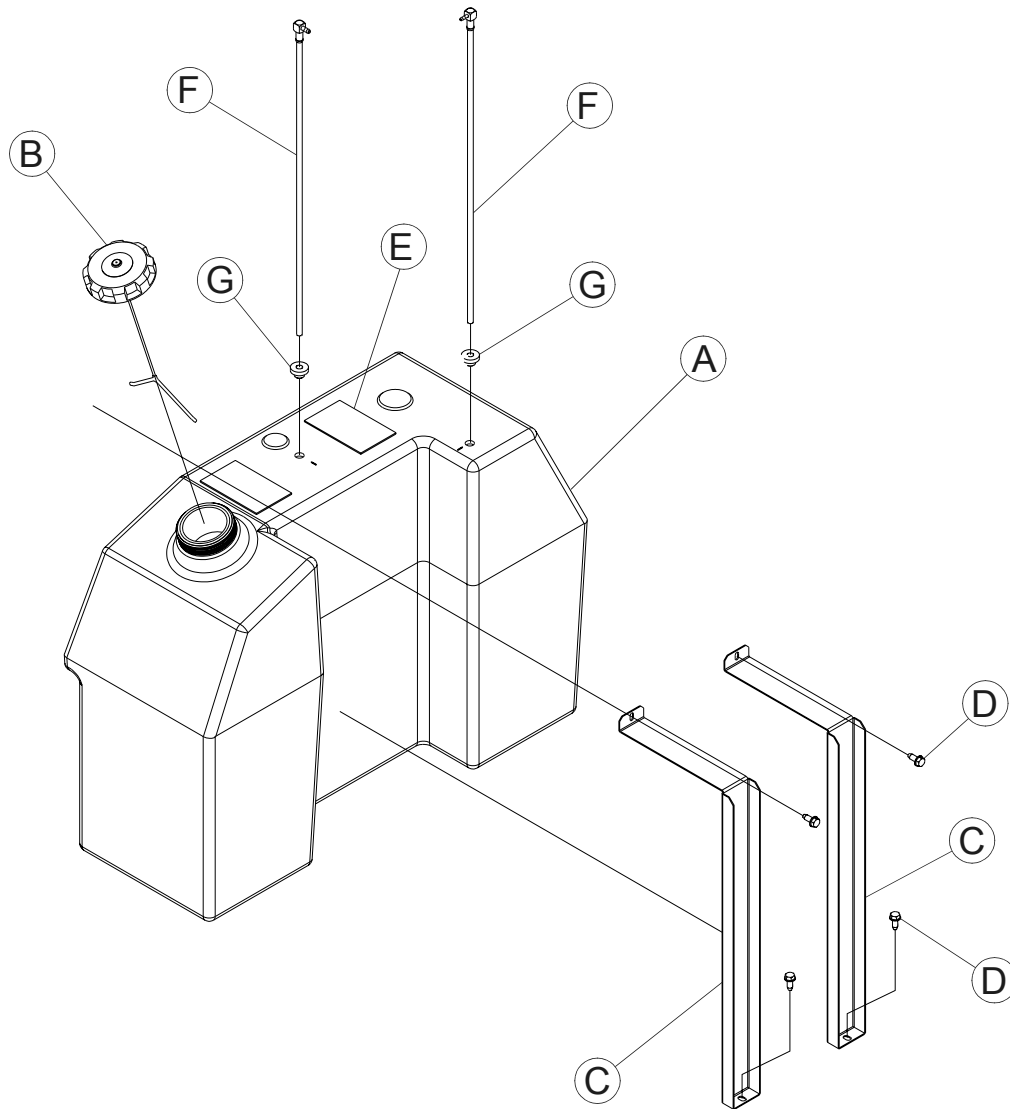


46551817\_023\_10/09\_A

ITEM	COMM. NO.	DESCRIPTION	QTY	DIMENSIONS/NOTES
A	22173561	Cleaner, Air Assembly	1	
B	46553480	Bracket, Air Cleaner	1	
C	96702824	Screw	2	
D	46498283	Hose, Air Intake	1	
E	35221662	Clamp	2	
F	36890135	Element, Air Cleaner	1	
G	46542916	Pump, Lift	1	
H	96745534	Screw	2	M6.0 - 1.0 X 35
J	96703806	Nut	2	M6.0 - 1.0
K	36786671	Screw	2	M10 - 1.25 X 20



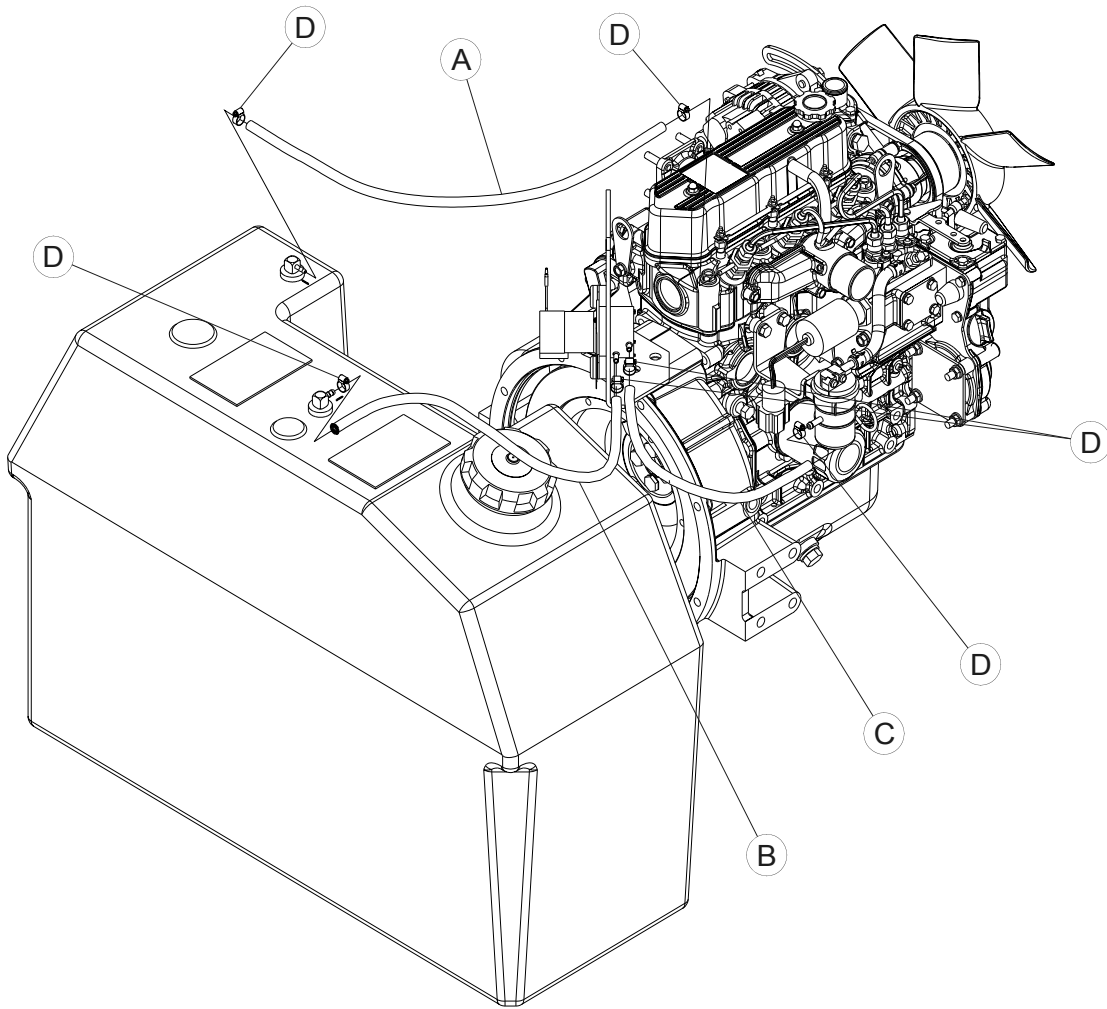
## Fuel Tank Mounting



46551817\_018\_10/09\_A

ITEM	COMM. NO.	DESCRIPTION	QTY	DIMENSIONS/NOTES
A	46491023	Tank, Fuel	1	
B	46543708	Cap, Fuel Tank	1	
C	46498119	Bracket	1	
D	35279025	Screw	4	M8 - 1.25 X 20
E	22680771	Pad, Rubber	2	
F	46498234	Line, Fuel Pick-up	1	
G	35384577	Bushing, Nitrile	2	

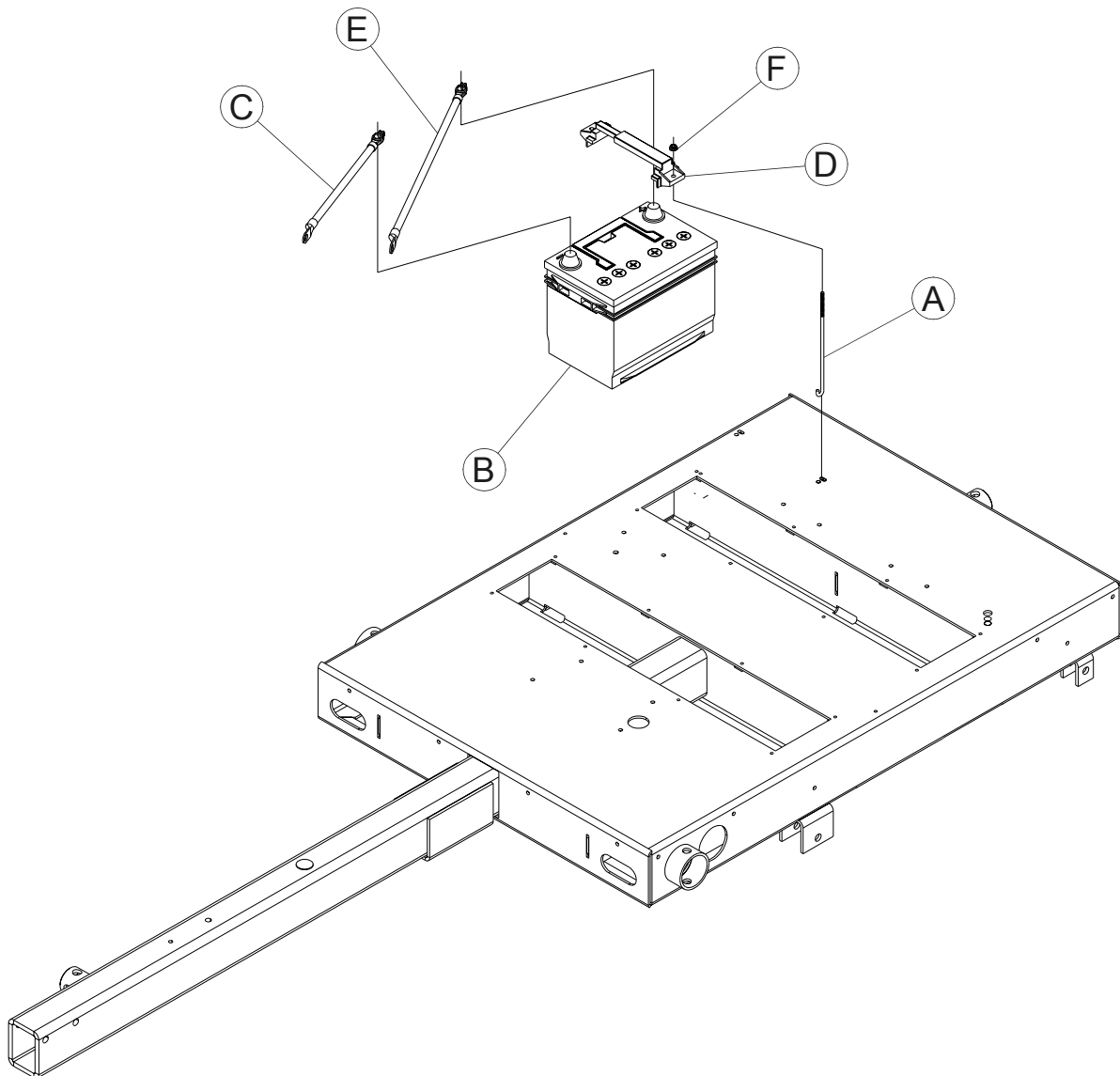
## Fuel Tank Piping



46551817\_019\_10/09\_A

ITEM	COMM. NO.	DESCRIPTION	QTY	DIMENSIONS/NOTES
A	35282078	Hose, Fuel (Eng to Tank Return)	1	32"
B	35282078	Hose, Fuel (Tank Feed to Lift Pump In)	1	30"
C	35282078	Hose, Fuel (Lift Pump Out to Eng Feed)	1	10"
D	35296342	Clamp	6	

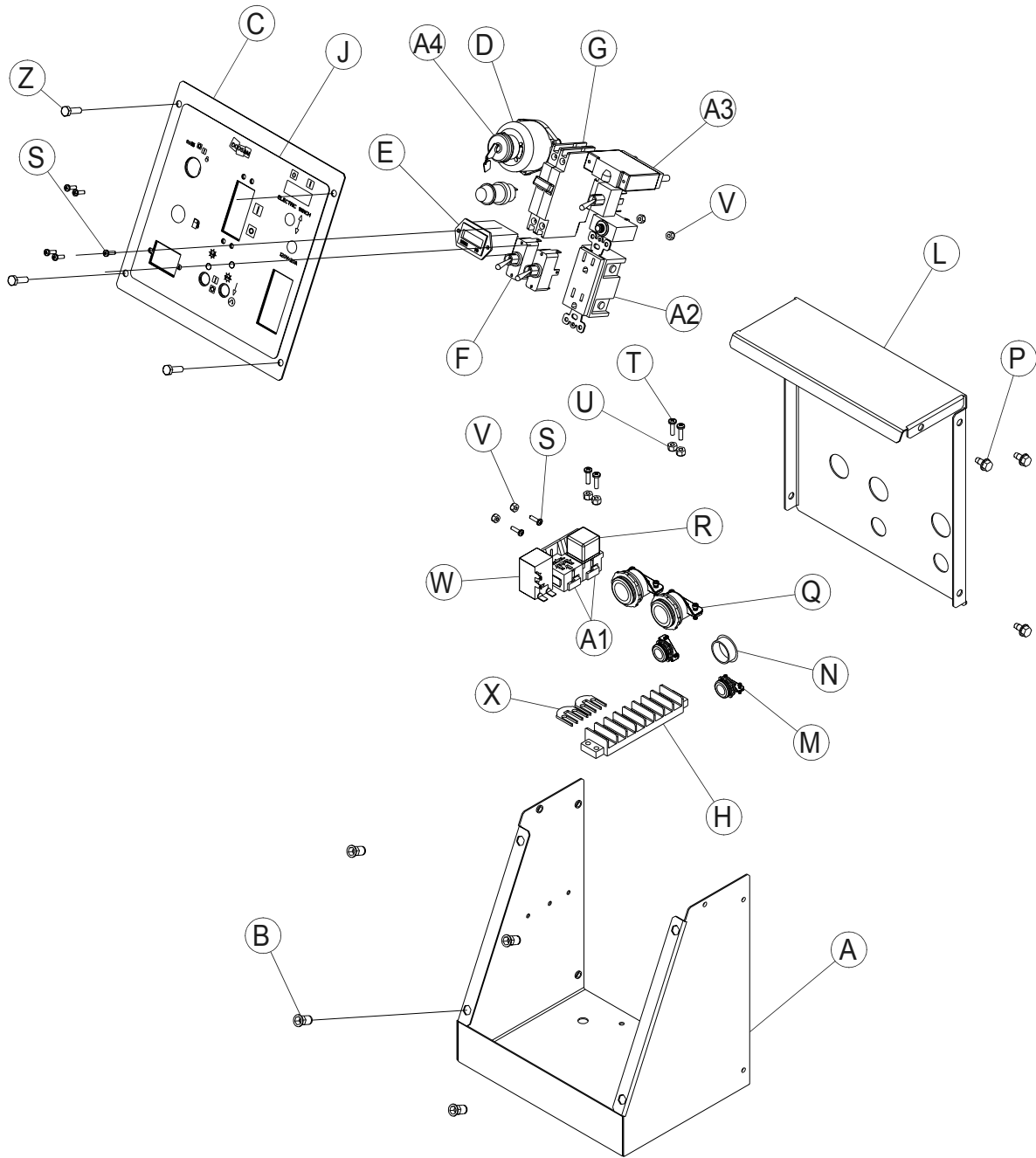
## Battery and Mounting



46551817\_021\_10/09\_A

ITEM	COMM. NO.	DESCRIPTION	QTY	DIMENSIONS/NOTES
A	23050982	J-Bolt	2	12 V
B	22246797	Battery	1	
C	46545976	Cable, Negative	1	
D	46548806	Hold Down	1	
E	46545968	Cable, Positive	1	
F	95951564	Nut	2	

# Instrument / Control Panel Assembly

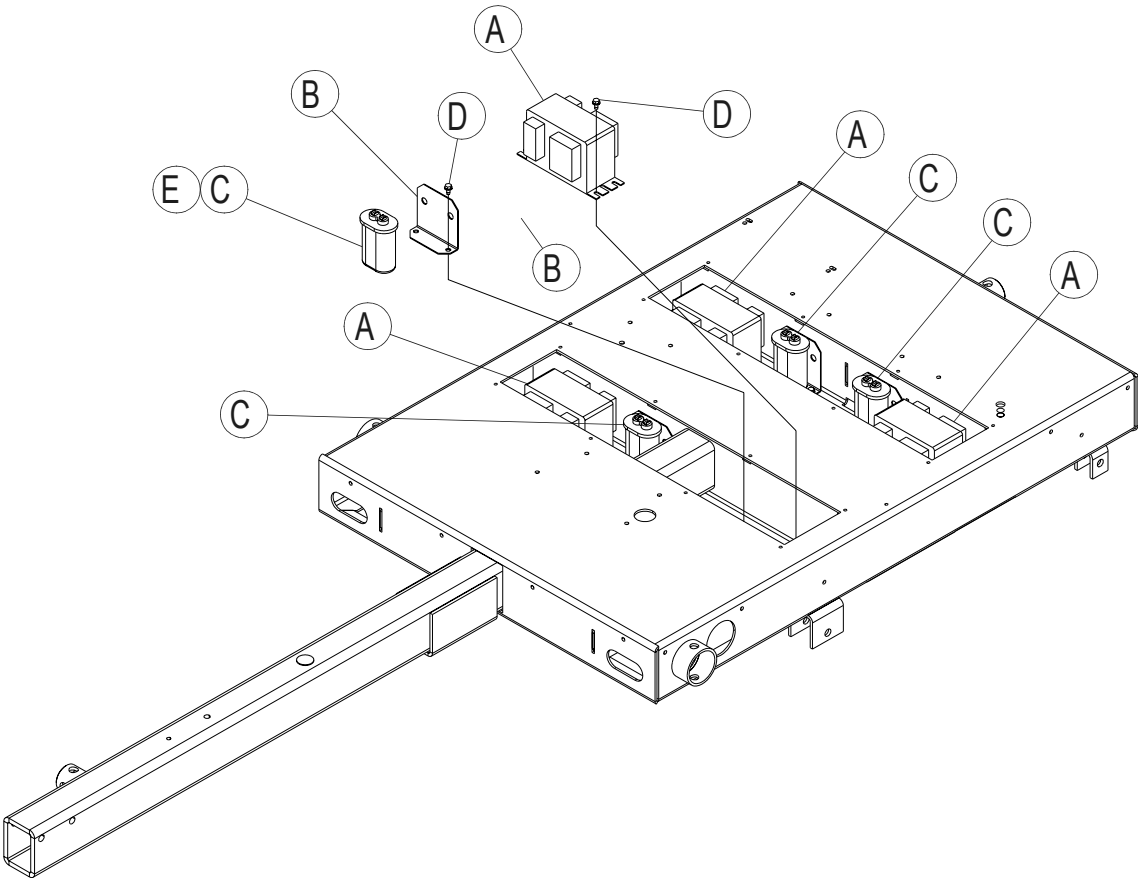


46551817\_022\_10/09\_A

Instrument / Control Panel Assembly

ITEM	COMM. NO.	DESCRIPTION	QTY	DIMENSIONS/NOTES
A	46497277	Box, Control Panle Mounting	1	
B	36921344	Nutsert	4	M6 - 1.0
C	46497269	Panel, Control	1	
D	46499471	Switch, Start W/Key	1	
E	22054175	Meter, Hour	1	
F	46554859	Switch, Toggle	2	
G	46496337	Breaker, Circuit 20A	1	
H	46496345	Block, Terminal	1	
J	46497293	Decal, Control Panel	1	
K	46496410	Cord Assembly, Ballast (Not Shown)	1	
L	46497285	Cover, Rear Panel	1	
M	46496485	Connector, Clamp	2	
N	35335991	Plug, Hole	1	1.125"
P	36797652	Screw, Tapping	6	M6 - 1.0 X 12
Q	46496493	Clamp, Connector	2	1.14"
R	22516207	Relay, 12VDC, 40A	1	
S	95942520	Screw	8	#6 - 32 X 1/2"
T	95942553	Screw	4	#8 - 32 X 5/8"
U	95942637	Nut, Locking	4	#8 - 32
V	95930517	Nut, Locking	4	#6 - 32
W	46499430	Relay, Time Delay, 10 Second	1	
X	46496352	Jumper, Flat Slip-On	2	
Y	46551815	Harness, Engine (Not Shown)	1	
Z	36769024	Screw	4	M6 - 1.0 X 20
A1	46496782	Socket	2	
A2	35371798	Receptacle, Duplex	1	
A3	35371772	Breaker	1	
A4	46499505	Key	1	

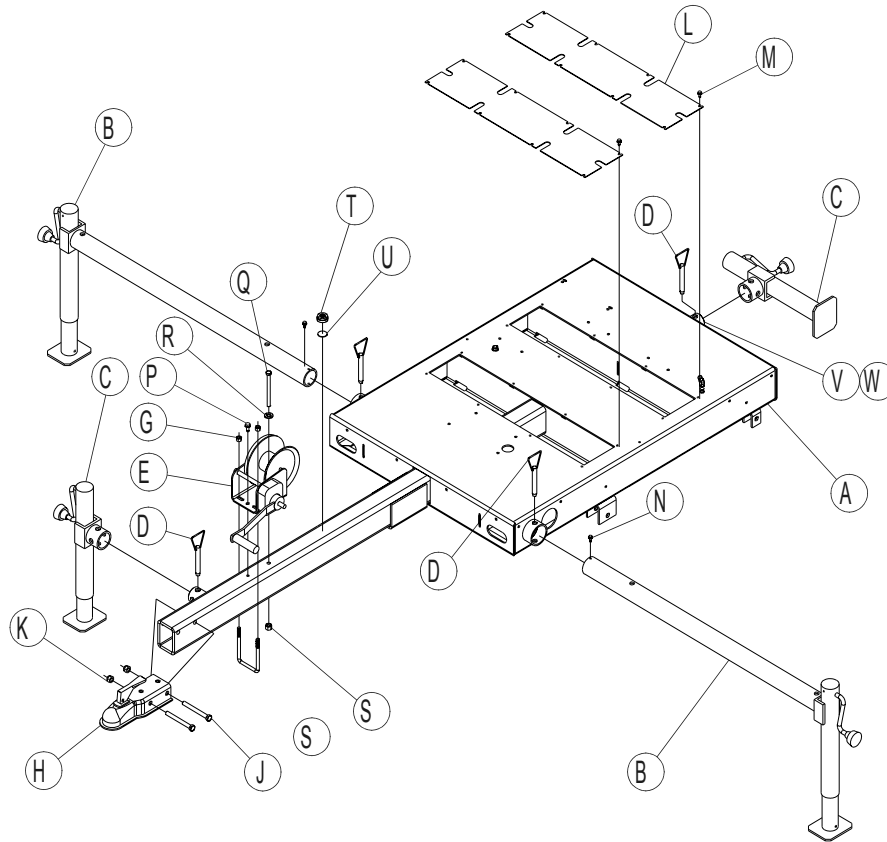
# Ballast Assembly



46551817\_023\_10/09\_A

ITEM	COMM. NO.	DESCRIPTION	QTY	DIMENSIONS/NOTES
A	36883791	Ballast	4	
B	46543013	Bracket, Capacitor	4	
C	36888683	Capacitor	4	
D	36797652	Screw, Tapping	24	M6 -1 .0 X 12
E	35356591	Tie, Cable	4	

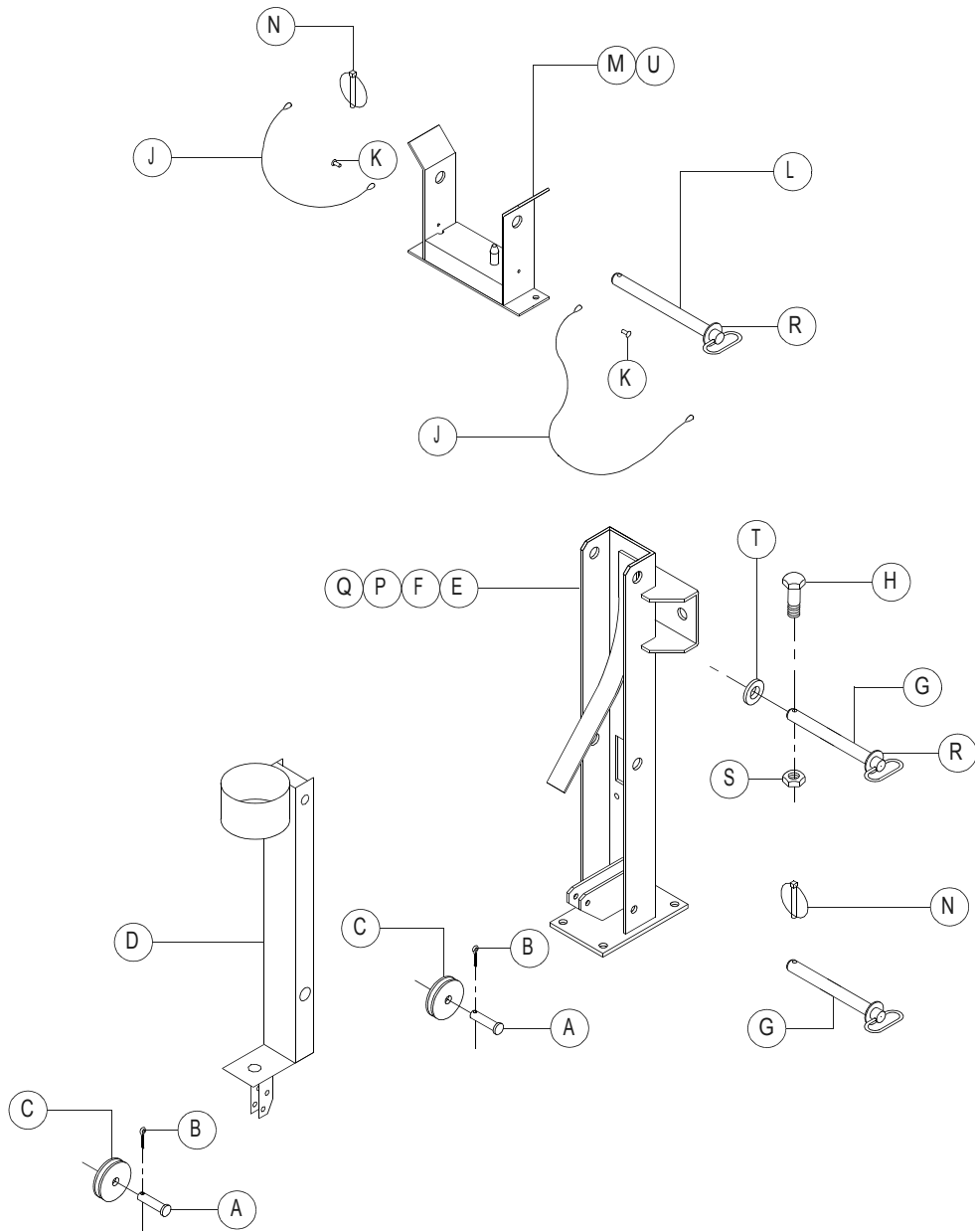
## Frame, Winch, Jacks and Hitch



46551817\_027\_10/09\_A

ITEM	COMM. NO.	DESCRIPTION	QTY	DIMENSIONS/NOTES
A	46490520	Frame	1	
B	36923407	Jack, Outrigger	2	
C	36923415	Jack	2	
D	36848224	Pin, Outrigger	3	
E	36923654	Winch	1	
F	46554061	U-Bolt	1	3/8" - 16
G	95923322	Nut	1	3/8" - 16
H	46559150	Coupler, 2"	1	
J	96727896	Screw	2	M8 - 1.25
K	35304047	Nut	2	
L	46498457	Cover, Ballast	2	
M	92368687	Screw	20	M6 - 1.0 X 14
N	36797652	Screw, Tapping	2	M6 - 1.0 X 12
P	35279025	Screw, Tapping	1	M8 - 1.0 X 20
Q	96712104	Screw	1	M10 - 1.5 X 20
R	95935003	Washer	1	
S	36879195	Nut	1	M10 - 1.5
T	36787398	Level, Circular	1	
U	23031859	Tape, Double Sided	1	
V	36796068	Tube, Jack Mounting	1	
W	35279025	Screw, Tapping	4	M8 - 1.25 X 20

## Tower Brackets



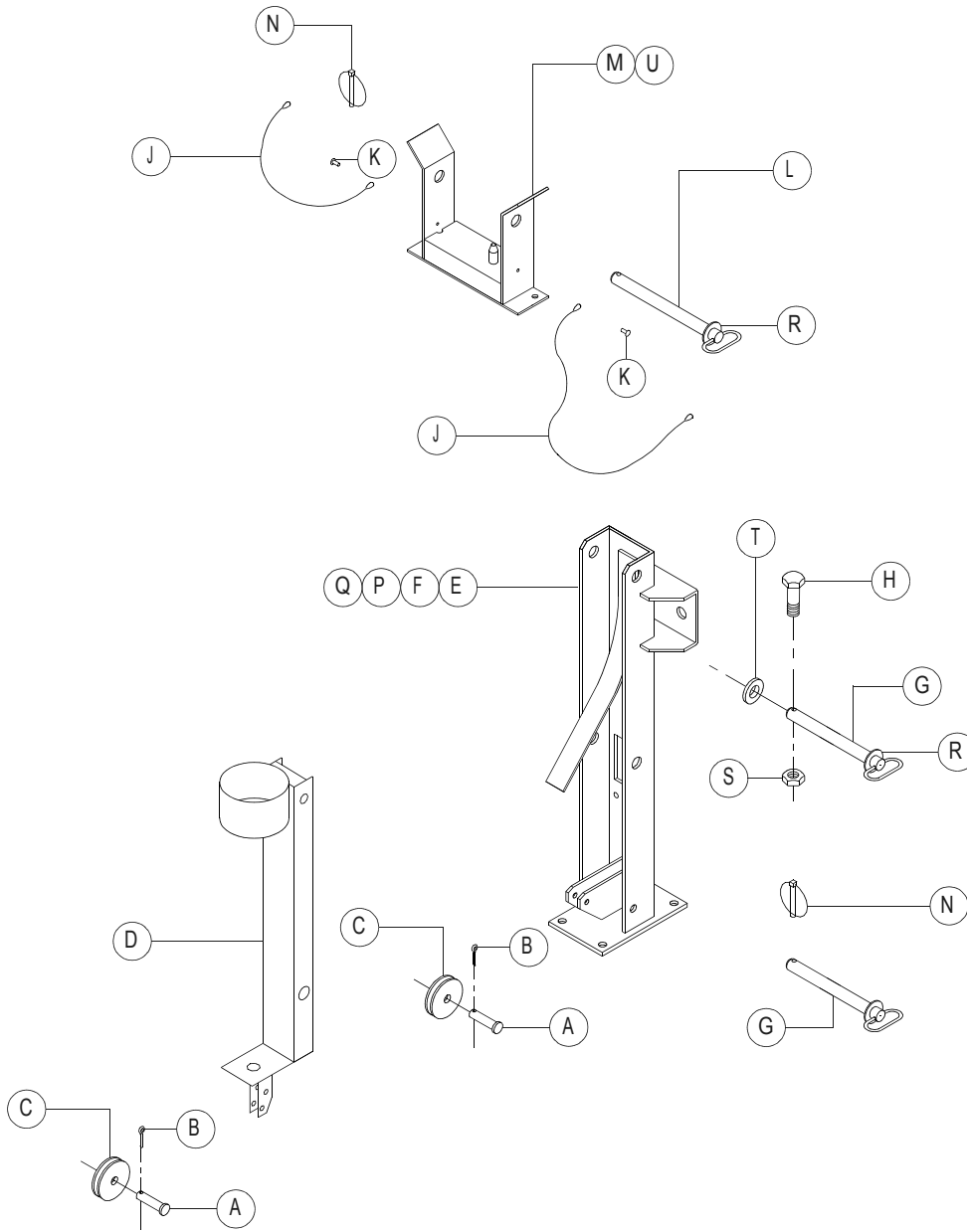
46551817\_025\_10/09\_A

ITEM	COMM. NO.	DESCRIPTION	QTY	DIMENSIONS/NOTES
A	36869246	Pin, Clevis	2	
B	95928867	Pin, Cotter	2	
C	36783009	Pulley	2	
D	36885614	Support, TowerPivot	1	
E	36923258	Support, Tower	1	
F	36885549	Spring, Flat	1	
G	36869253	Pin	2	
H	35271170	Bolt	1	
J	36786218	Cable, Pin	3	

**Continued.....**



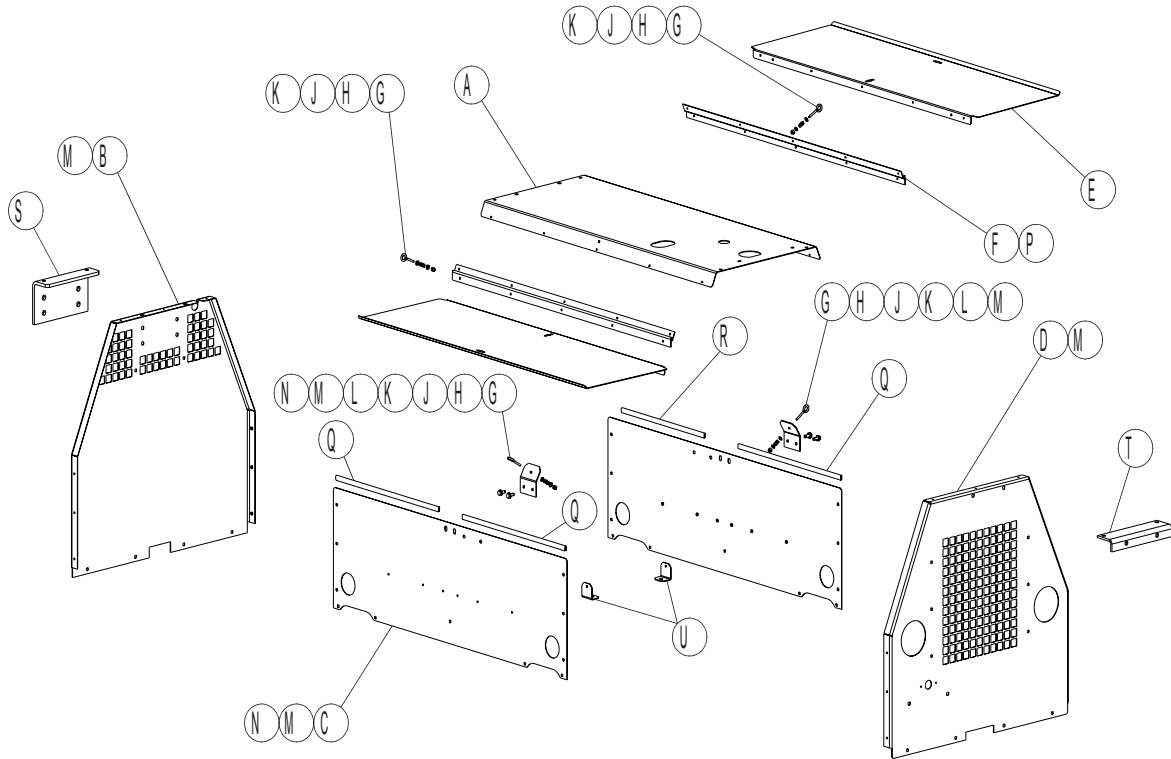
## Tower Brackets



46551817\_026\_10/09\_A

ITEM	COMM. NO.	DESCRIPTION	QTY	DIMENSIONS/NOTES
K	36843282	Rivet	3	.....Continued             M8 - 1.25  M8 - 1.25 X 20
L	36870020	Pin	1	
M	36885697	Rest, Tower	1	
N	36794170	Pin, Spring	1	
P	36880995	Screw	2	
Q	36879195	Nut	2	
R	95935011	Washer	1	
S	36881886	Nut	2	
T	95928321	Washer	1	
U	35279025	Screw, Tapping	4	

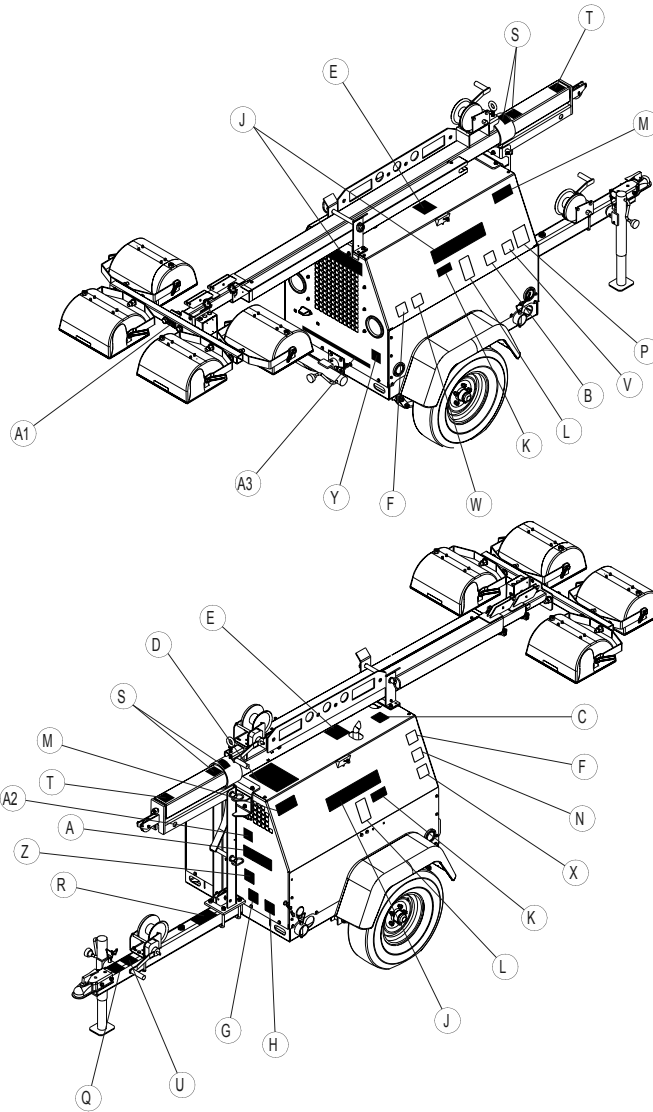
# Enclosure



46551817\_028\_10/09\_A

ITEM	COMM. NO.	DESCRIPTION	QTY	DIMENSIONS/NOTES
A	46493209	Panel, Roof	1	
B	46493001	Panel, Front	1	
C	46493003	Panel, Side	2	
D	46492997	Panel, Rear	1	
E	46496279	Panel, Door	2	
F	46496287	Hinge	2	
G	35607829	Eyebolt	4	
H	36772028	Washer, Nylon	8	
J	35607837	Spring, Eyebolt	4	
K	95923798	Nut	4	
L	36923134	Bracket, Door	2	
M	35279025	Screw	22	M8 - 1.25 X 20
N	35797652	Screw	12	M6 - 1.0 X 12
P	36843282	Rivet	20	.19" Dia.
Q	54627617	Guard, Door Edge	3	20"
R	54627617	Guard, Door Edge	1	16"
S	46553945	Bracket, Front Tower Mounting	1	
T	46553946	Bracket, Rear Tower Mounting	1	
U	46552961	Bracket, Side Panel	2	

## Decal Location

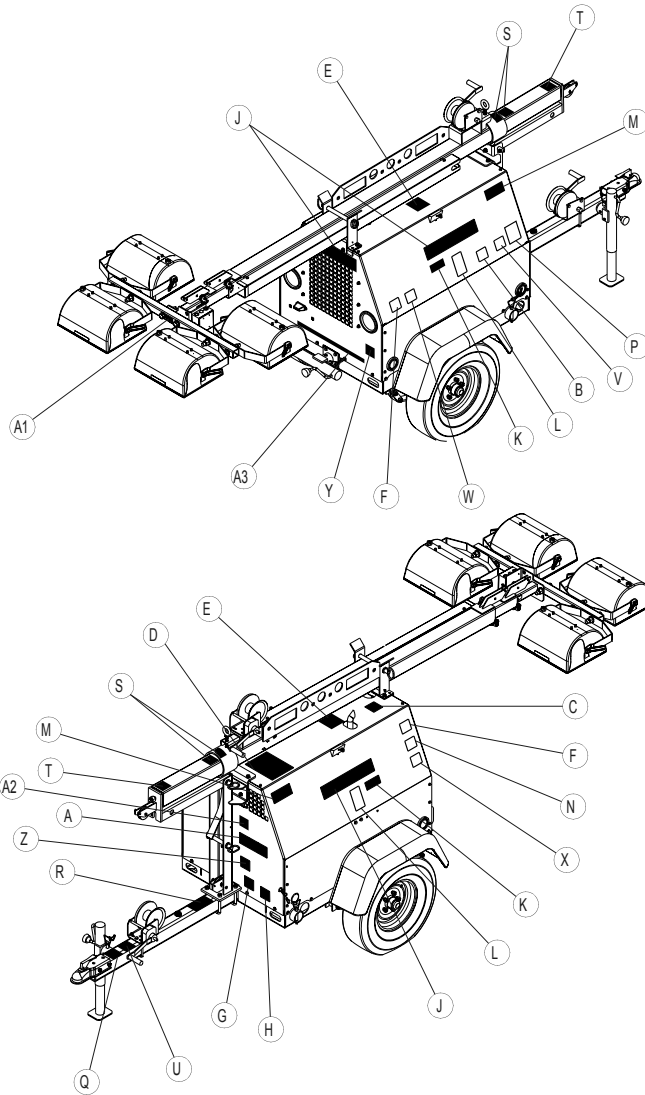


46551817\_031\_10/09\_A

ITEM	COMM. NO.	DESCRIPTION	QTY	DIMENSIONS/NOTES
A	22471114	Decal, 3 Part Warning	1	
B	23321961	Decal, ISO Diesel Fuel	1	
C	54568761	Decal, Hot Pressurized Fluid	1	
D	36531564	Decal, Tower Operating Instructions	1	
E	54604954	Decal, Lifting Instructions	1	
F	54568779	Decal, Rotating Fan	1	
G	22743843	Decal, Tire Load	1	
H	23241045	Decal, VIN	1	
J	46492534	Decal, IR Logo 16"	3	
K	46497418	Decal, 4" Doosan Logo	2	
L	54640008	Decal, Engine Oil & service	2	
M	46554115	Decal, LSC Model Number	2	
N	54568787	Decal, Improper Operation	1	

*Continued.....*

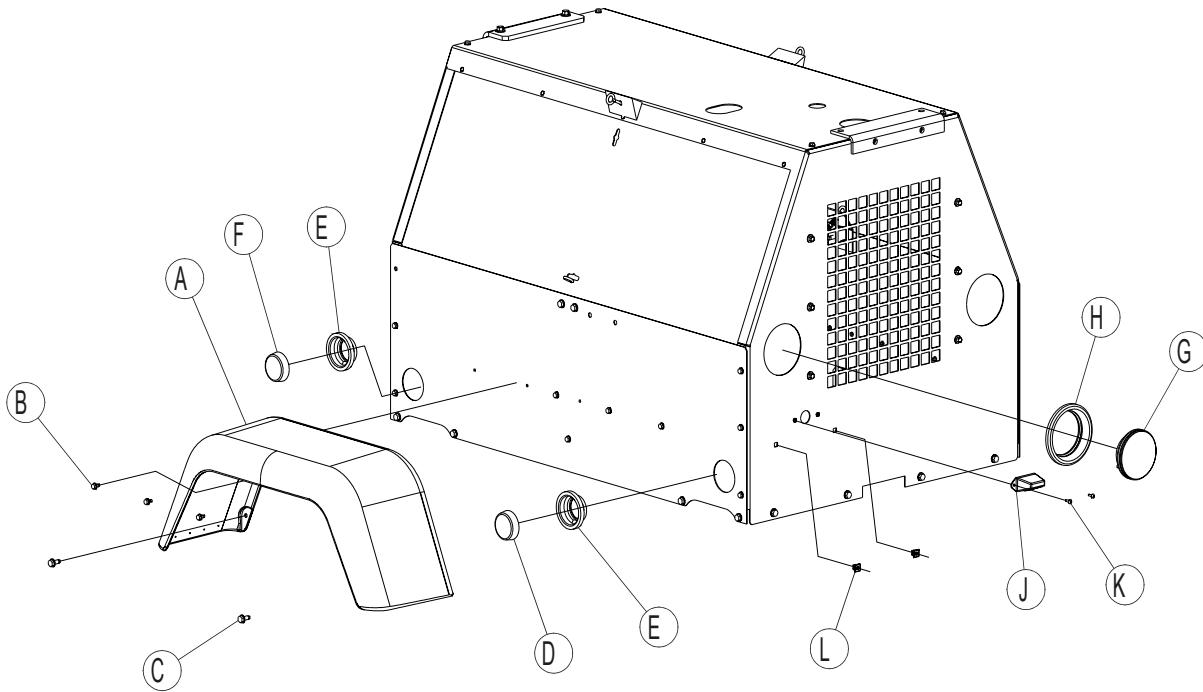
## Decal Location



46551817\_029\_10/09\_A

ITEM	COMM. NO.	DESCRIPTION	QTY	DIMENSIONS/NOTES
				<b>.....Continued</b>
P	54630033	Decal, Operating Instructions	1	
Q	54568803	Decal, Collapsing Jack Stand	1	
R	54604921	Decal, Towing Notice	1	
S	36524304	Decal, Line Up Arrows	1	
T	54604947	Decal, Ultra Violet Radiation	1	
U	54604913	Decal, Ball Hitch	1	
V	54605027	Decal, Hazardous Voltage	1	
W	54568753	Decal, Combustible Gas	1	
X	54604962	Decal, Radiator Hot Fill	1	
Y	54629977	Decal, ISO Central Drain	1	
Z	46554745	Decal, Roll Over	1	
A1	36894608	Reflector, Red	1	
A2	36520955	Decal, Warning Crush	1	
A3	46556137	Decal, Doosan 22" Website	1	

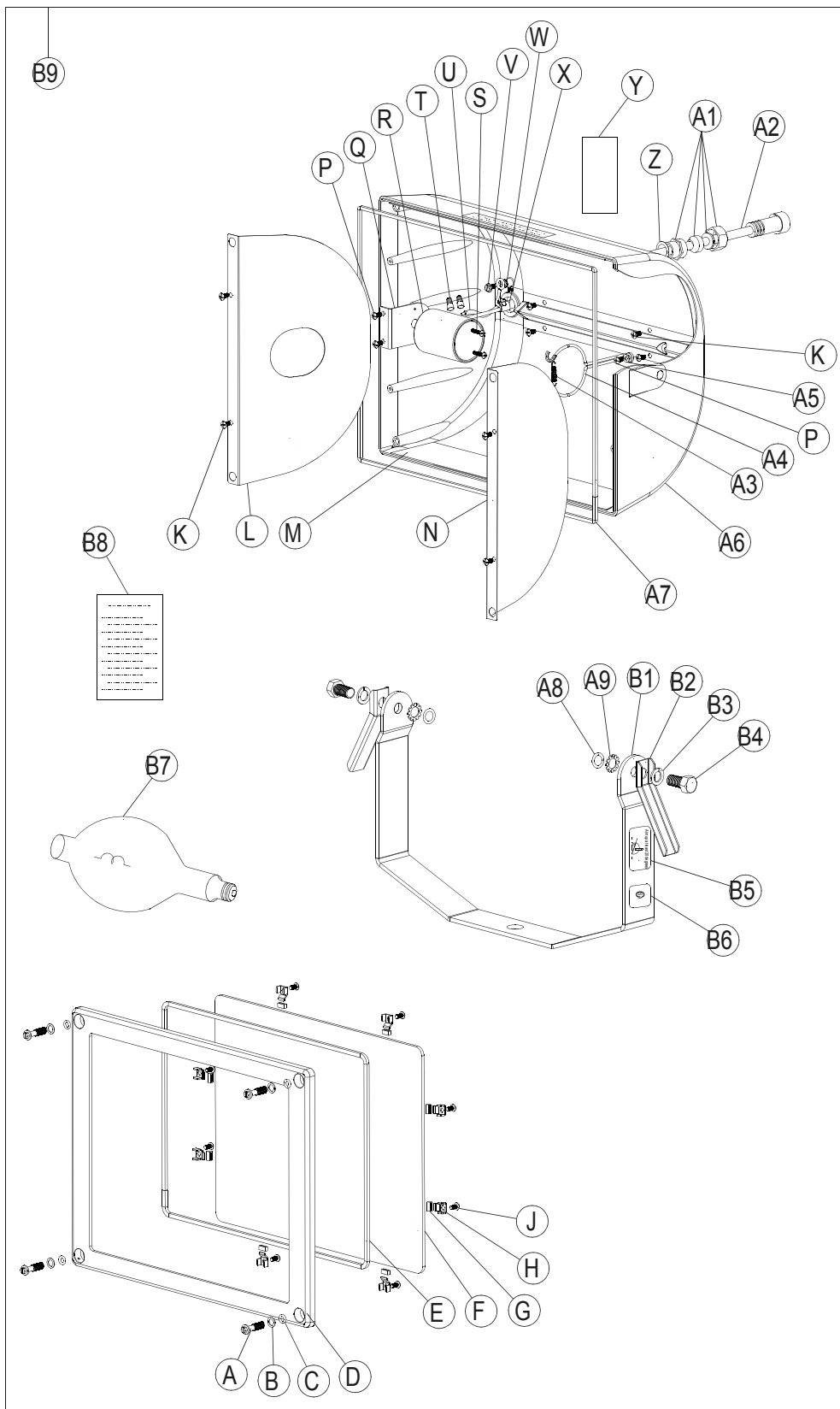
## Lights and Fender



46551817\_024\_10/09\_A

ITEM	COMM. NO.	DESCRIPTION	QTY	DIMENSIONS/NOTES
A	23315310	Fender	2	
B	35279025	Screw	4	M8 - 1.25 X 20
C	36797652	Screw	6	M6 - 1.0 X 12
D	35367044	Lamp, Red	2	
E	36893634	Grommet	4	
F	35367051	Lamp, Yellow	2	
G	36788081	Lamp, Stop, Turn and Tail	2	
H	36787968	Grommet	2	
J	35374925	Light License	1	
K	95095659	Screw	2	#10 - 32 X 1/2"
L	54724117	Grommet, License Plate	2	

# Lamp / Socket Assembly

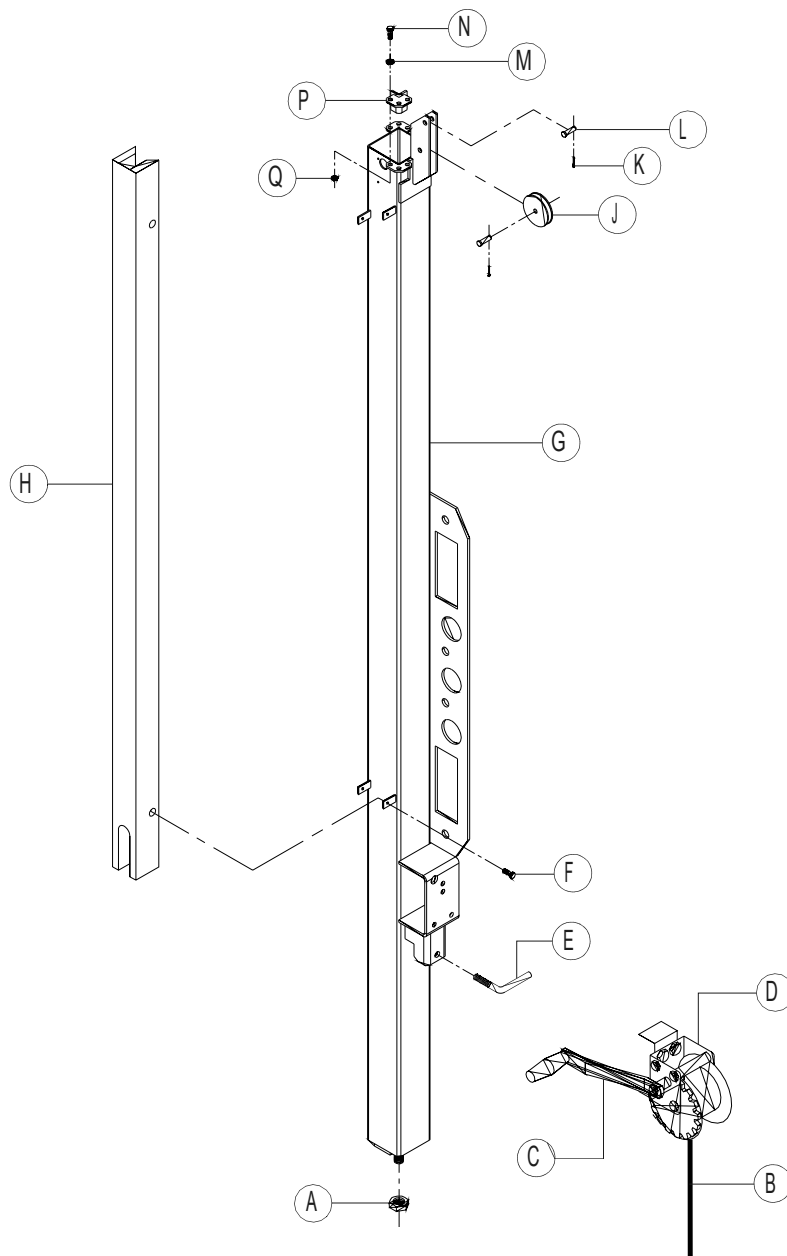


46551817\_037\_10/09\_A

Lamp / Socket Assembly

ITEM	COMM. NO.	DESCRIPTION	QTY	DIMENSIONS/NOTES
A	46497236	Screw	4	
B	46497228	Washer, Flat	4	
C	46497210	Washer, Rubber	4	
D	46497202	Frame, Top	1	
E	46497194	Gasket, Lens	1	
F	46497186	Lens, Glass	1	
G	23177371	Cover, Lens Clip	8	
H	23177363	Clip, Lens	8	
J	46497178	Screw	8	
K	46497160	Screw	8	
L	46497152	Reflector, Lamp Side	1	
M	46497145	Reflector, Main	1	
N	49497137	Reflector, Side	1	
P	46497129	Screw	3	
Q	46497111	Bracket, Socket	1	
R	23177397	Socket, 5kv	1	
S	46497103	Screw	2	
T	46497095	Connector, Wire	2	
U	46497087	Sleeve, Fiberglass	3	
V	46497079	Screw	1	
W	46497061	Washer, Star	1	
X	46497053	Spring, Strain Relief	1	
Y	46497046	Pad, Insulation	1	
Z	46497038	Gasket, Insulated Pad	1	
A1	46497020	Joint, Threaded, W/Bushing, Ring and Nut	1	
A2	46497012	Cable	1	
A3	46497004	Spring, Lamp	1	
A4	46496998	Brace, Lamp	1	
A5	46496980	Washer, Flat	1	
A6	46496972	Housing, Base	1	
A7	46496964	Gasket, Top Frame	1	
A8	46496956	Washer, Rubber	2	
A9	23177702	Washer, Star	2	
B1	46496949	Yoke, Trunion	1	
B2	23177751	Handle, Adjustment	1	
B3	23177710	Washer, Spring	2	
B4	23177694	Screw	2	
B5	46496931	Label, Aiming	1	
B6	46497657	Decal, CSA/UL Approval	1	
B7	23084965	Lamp, 1000W	1	
B8	46496923	Sheet, Instruction, Flood Lamp	1	
B9	46496907	Lamp Assembly, Complete	1	

## Bottom Tower Assembly

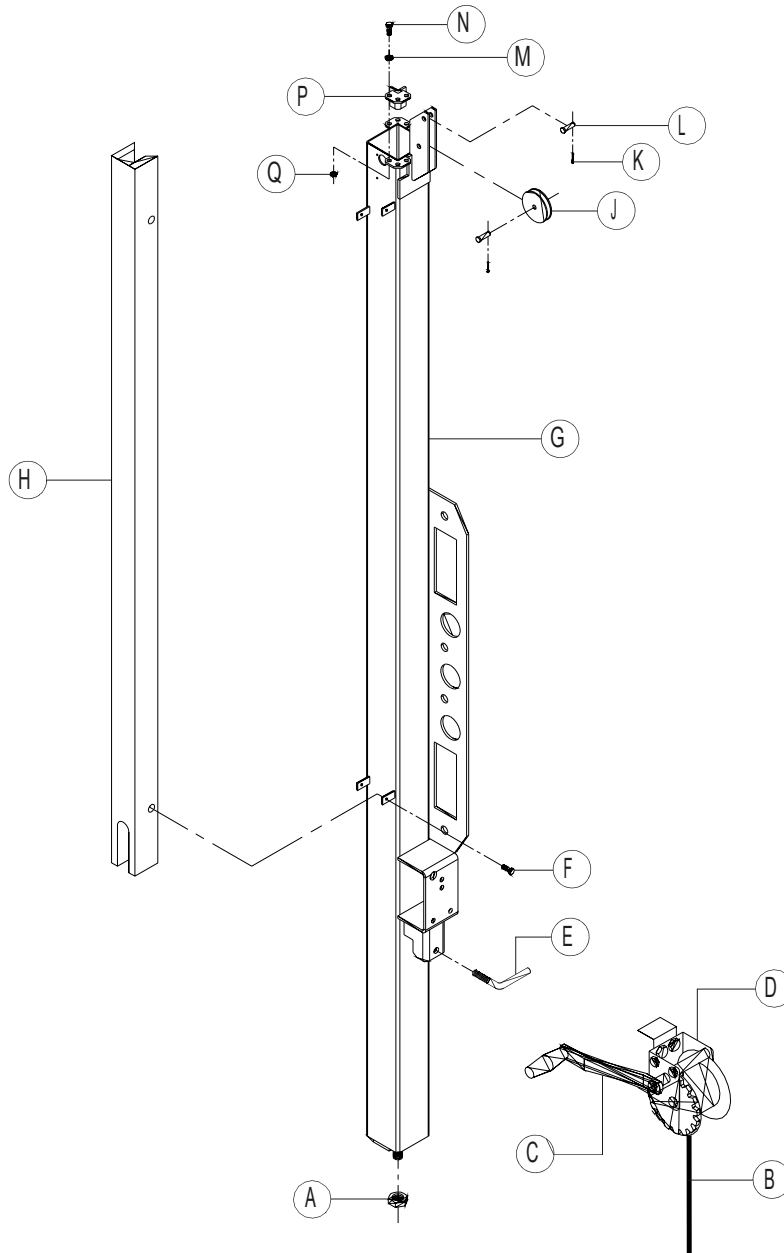


46551817\_041\_10/09\_A

ITEM	COMM. NO.	DESCRIPTION	QTY	DIMENSIONS/NOTES
A	35356526	Nut, Locking	1	
B	REF	Cable ( 5460mm )	1	
C	36923662	Handle, Winch	1	
D	36923654	Winch, Manual	1	
E	54370754	L-Bolt	1	
F	92368687	Screw	4	
G	22348825	Bottom Tower Assembly	1	
				<b>Continued.....</b>



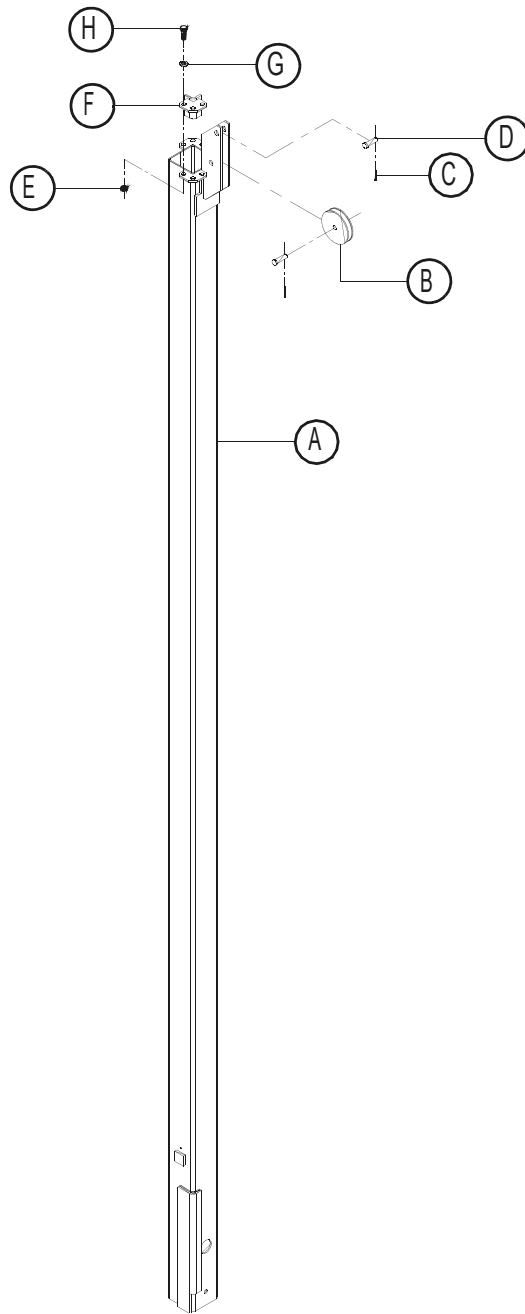
## Bottom Tower Assembly



46551817\_042\_10/09\_A

ITEM	COMM. NO.	DESCRIPTION	QTY	DIMENSIONS/NOTES
H	22335053	Shroud, Wire	1	<i>.....Continued</i>
J	36783009	Pulley	1	
K	95928867	Pin, Cotter	1	
L	36783868	Pin, Clevis	1	
M	95934998	Washer	4	
N	96702659	Screw	4	
P	22284079	Slide, Tower	2	
Q	36769743	Nut	4	

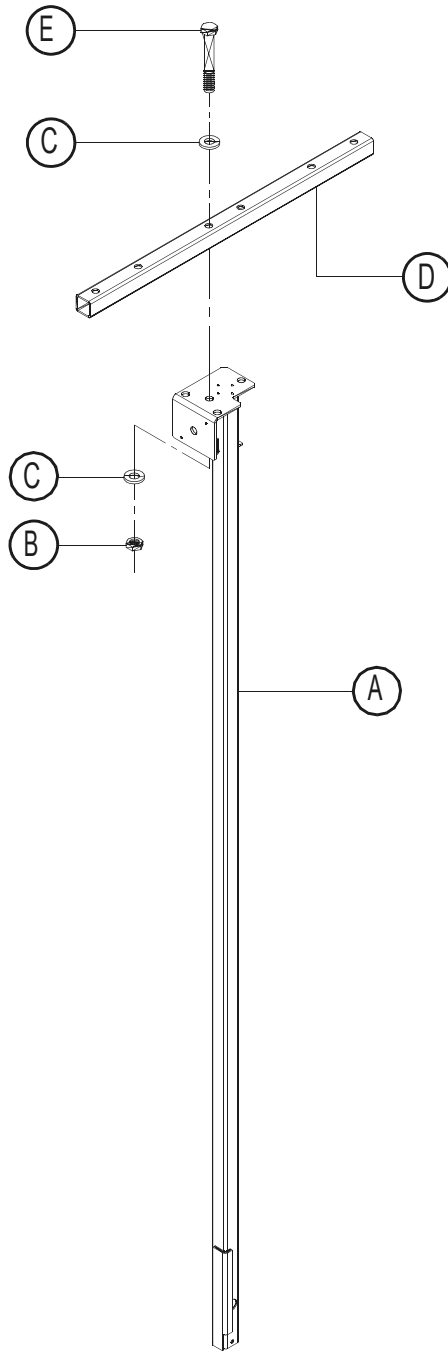
## Middle Tower Assembly



46551817\_043\_10/09\_A

ITEM	COMM. NO.	DESCRIPTION	QTY	DIMENSIONS/NOTES
A	22284087	Middle Tower Assembly	1	
B	36783009	Pulley	1	
C	95928867	Pin, Cotter	1	
D	36783868	Pin, Clevis	1	
E	36769743	Nut	4	
F	22284079	Slide, Tower	2	
G	95934998	Washer	4	
H	96702659	Screw	4	

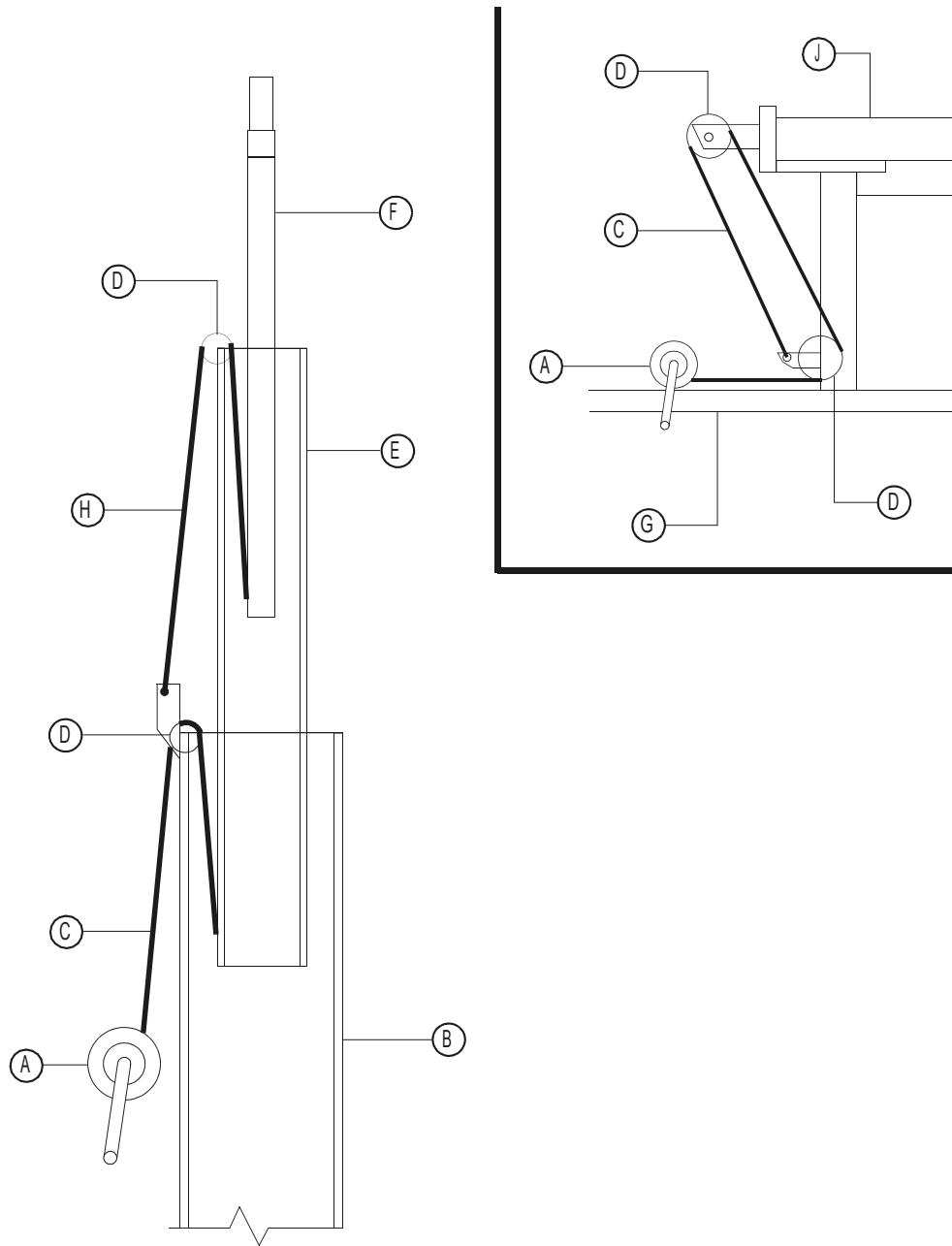
## Top Tower Assembly



46551817\_044\_10/09\_A

ITEM	COMM. NO.	DESCRIPTION	QTY	DIMENSIONS/NOTES
A	22284111	Top Tower Assembly	1	
B	95923363	Nut, Locking	2	
C	95935011	Washer	4	
D	22284103	Crossbar	1	
E	95995478	Screw	2	
F	46553509	Cord, Curly / Junction Box Assembly	1	Not Shown

## Cable Routing



46551817\_045\_10/09\_A

ITEM	COMM. NO.	DESCRIPTION	QTY	DIMENSIONS/NOTES
A	REF	Winch, Manual	1	
B	REF	Bottom Tube Assembly	1	
C	36876225	Cable ( 5460 mm )	1	
D	REF	Pulley	5	
E	REF	Middle Tube Assembly	1	
F	REF	Top Tube Assembly	1	
G	REF	Drawbar	1	
H	36868545	Cable ( 3430 )	1	
J	REF	Tower Assembly	1	





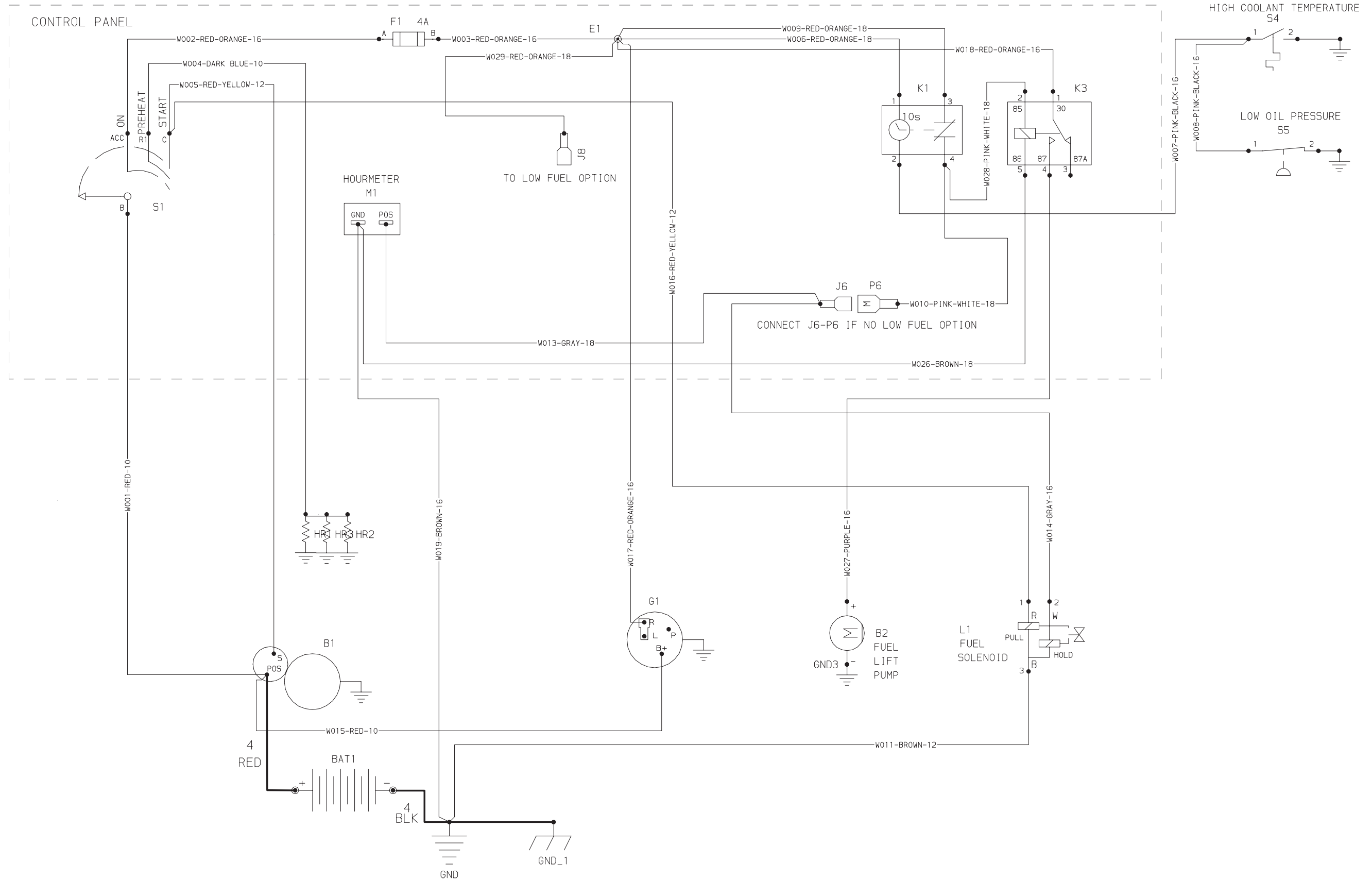


# Wiring Diagrams





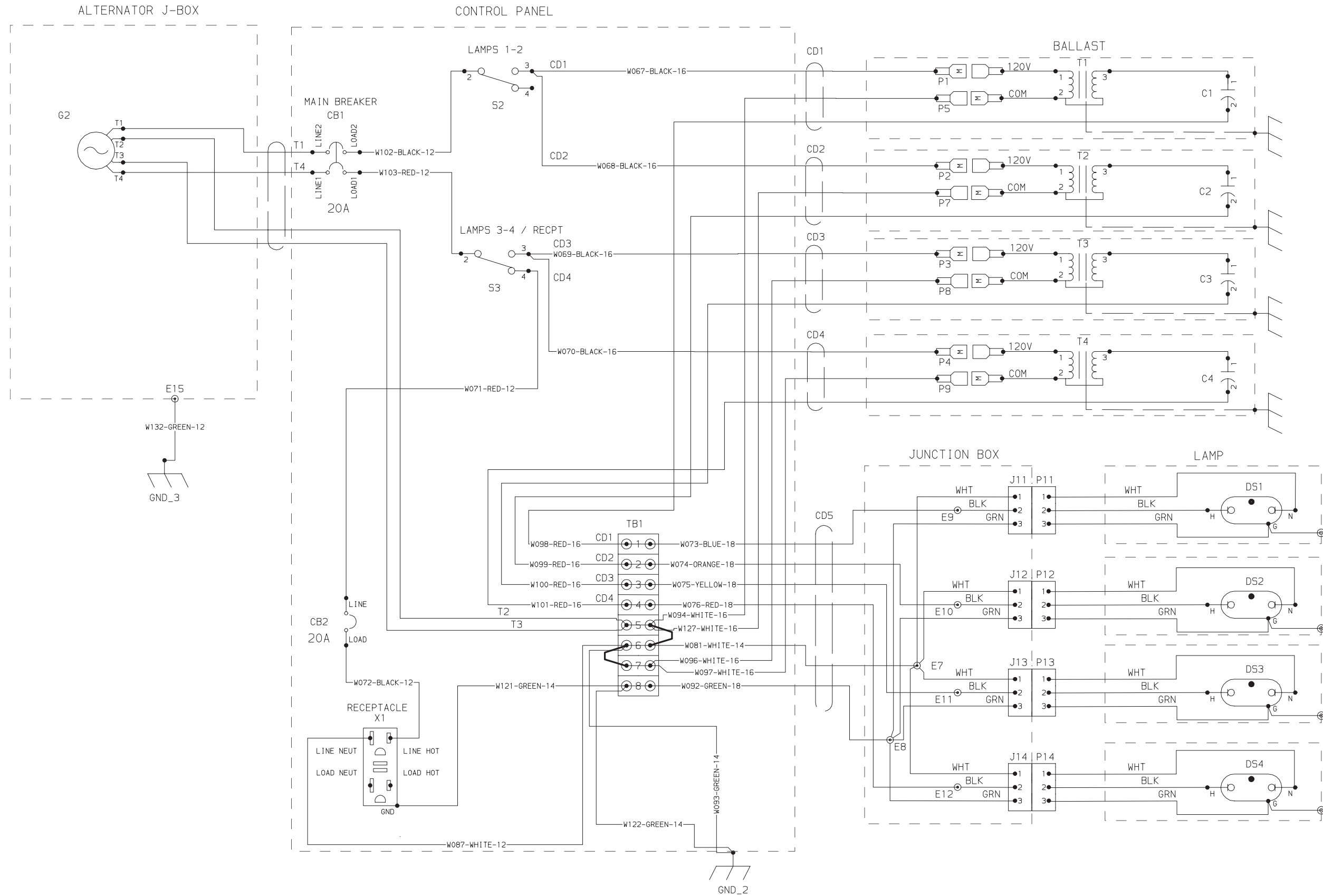
# Wiring Diagram - Engine Harness



22846570\_037\_02/06\_A

22846570

# Wiring Diagram - Lighting Wire Harness



## NUMERICAL INDEX

COMM.NO.	PAGE	COMM.NO.	PAGE	COMM.NO.	PAGE
22054175	19	35296342	12	36881886	12
22173561	11		16		13
	14	35304047	21		23
22246268	7	35315274	6	36883791	20
22246797	17	35335991	19	36884948	12
22284079	31	35356526	30	36885549	22
	32	35356591	20	36885614	22
22284087	32	35363498	12	36885697	23
22284103	33	35367044	27	36888493	11
22284111	33	35367051	27	36888683	20
22335053	31	35371772	19	36889608	12
22348825	30	35371798	19	36890135	11
22471114	25	35374925	27		14
22516207	19	35384577	15	36893634	27
22680771	15	35607829	24	36894608	26
22743843	25	35607837	24	36898096	12
22885016	7	35797652	24	36899037	8
22885024	7	36520955	26		10
22885040	6	36524304	26	36921344	12
22885057	6	36531564	25		19
22885065	6	36769024	19	36923134	24
22885073	6	36769743	31	36923258	22
22885081	7		32	36923407	21
22885115	6	36772028	24	36923415	21
22885131	7	36783009	22	36923654	21
22888309	7		31		30
23031859	21		32	36923662	30
23050982	17	36783868	31	44033074	7
23084965	29		32	46490520	21
23177363	29	36786218	22	46491023	15
23177371	29	36786671	8	46492534	25
23177397	29		14	46492997	24
23177694	29	36787398	21	46493001	24
23177702	29	36787968	27	46493003	24
23177710	29	36788081	27	46493209	24
23177751	29	36794170	23	46496279	24
23241045	25	36795326	10	46496287	24
23315310	27	36796068	21	46496337	19
23321961	25	36797652	12	46496345	19
35130293	10		19	46496352	19
35221662	14		20	46496410	19
35225077	12		21	46496485	19
35271170	22		27	46496493	19
35273366	8	36843282	23	46496782	19
	10		24	46496907	29
35279025	8	36848224	21	46496923	29
	10	36868545	34	46496931	29
	15	36869246	22	46496949	29
	21	36869253	22	46496956	29
	23	36870020	23	46496964	29
	24	36876225	34	46496972	29
	27	36879195	21	46496980	29
35282078	16		23	46496998	29
35282565	7	36880995	23	46497004	29
35282953	11			46497012	29
35293075	10			46497020	29

## NUMERICAL INDEX

COMM.NO.	PAGE	COMM.NO.	PAGE	COMM.NO.	PAGE
46497038	29	46545976	17	54604947	26
46497046	29	46546719	13	54604954	25
46497053	29	46546743	10	54604962	26
46497061	29	46546750	11	54605027	26
46497079	29	46546768	11	54627617	24
46497087	29	46547303	12	54629977	26
46497095	29	46548186	8	54630033	26
46497103	29		10	54640008	25
46497111	29	46548715	12	54724117	27
46497129	29	46548806	17	92368687	21
46497145	29	46549572	11		30
46497152	29	46549580	11	95095659	27
46497160	29	46549598	11	95220851	12
46497178	29	46549606	11	95923322	21
46497186	29	46549614	11	95923363	33
46497194	29	46549622	11	95923798	24
46497202	29	46549648	11	95928321	23
46497210	29	46549655	11	95928867	22
46497228	29	46549663	9		31
46497236	29	46549671	9		32
46497269	19	46549689	9	95930517	19
46497277	19	46549697	9	95934907	10
46497285	19	46549705	9		11
46497293	19	46549713	9	95934998	31
46497335	8	46549721	9		32
46497418	25	46549739	9	95935003	21
46497657	29	46549747	9	95935011	23
46497723	8	46549754	9		33
46498069	10	46549762	9	95942520	19
46498093	10	46549770	9	95942553	19
46498101	10	46549788	9	95942637	19
46498119	15	46549796	9	95951564	17
46498234	15	46549804	9	95995478	33
46498283	14	46549812	9	96702659	31
46498457	21	46551815	19		32
46498630	12	46552961	24	96702824	14
46498648	12	46553480	14	96703806	14
46499398	12	46553509	33	96708037	8
46499430	19	46553945	24	96712104	21
46499471	19	46553946	24	96727896	21
46499505	19	46554061	21	96729595	10
46499653	12	46554115	25	96730411	8
46499661	12	46554745	26		10
46541348	13	46554859	19	96745534	14
46541587	7	46556137	26	REF	30
46542916	14	46556149	13		34
46543013	20	46559150	21		
46543708	15	49497137	29		
46544508	7	54370754	30		
46544516	6	54568753	26		
46544524	6	54568761	25		
46544532	6	54568779	25		
46544540	6	54568787	25		
46544557	6	54568803	26		
46544565	6	54604913	26		
46545968	17	54604921	26		

## WORD INDEX

### A

Alternator (Not Shown) . . . . . 11

### B

Ballast . . . . . 20

Band

    Closing . . . . . 9

Battery . . . . . 17

Beam

    Axle . . . . . 6

Bearing

    Rear . . . . . 9

Block

    Terminal . . . . . 19

Bolt

    Cover Stay . . . . . 9

    Front . . . . . 7

Bottle

    Coolant Overflow . . . . . 12

Bottom Tower Assembly . . . . . 30

Bottom Tube Assembly . . . . . 34

Box

    Control Panle Mounting . . . . . 19

Brace

    Lamp . . . . . 29

Bracket

    Air Cleaner . . . . . 14

    Capacitor . . . . . 20

    DE . . . . . 9

    Door . . . . . 24

    Front Tower Mounting . . . . . 24

    Mounting LH . . . . . 10

    Mounting RH . . . . . 10

    NDE . . . . . 9

    Overflow Bottle . . . . . 12

    Rear Tower Mounting . . . . . 24

    Side Panel . . . . . 24

    Socket . . . . . 29

Breaker . . . . . 19

    Circuit 20A . . . . . 19

Bulkhead Connector . . . . . 11

Bushing

    Nitrile . . . . . 15

### C

Cable . . . . . 29

    Negative . . . . . 17

    Pin . . . . . 22

    Positive . . . . . 17

Cable ( 3430 ) . . . . . 34

Cable ( 5460 mm ) . . . . . 34

Cable ( 5460mm ) . . . . . 30

Cap

    Fuel Tank . . . . . 15

    Grease . . . . . 6

    Radiator . . . . . 12

Capacitor . . . . . 9, 20

Clamp

    Connector . . . . . 19

    Support . . . . . 12

Cleaner

    Air Assembly . . . . . 14

Clip

    Lens . . . . . 29

Cone

    Bearing Outer . . . . . 7

Connector

    Clamp . . . . . 19

    Wire . . . . . 29

Cord

    Curly / Junction Box Assembly . . . . . 33

Cord Assembly

    Ballast (Not Shown) . . . . . 19

Coupler

    2" . . . . . 21

Cover

    Ballast . . . . . 21

    Lens Clip . . . . . 29

    Rear Panel . . . . . 19

Crossbar . . . . . 33

Cup

    Bearing Outer . . . . . 7

### D

Decal

    3 Part Warning . . . . . 25

    4" Doosan Logo . . . . . 25

    Ball Hitch . . . . . 26

    Collapsing Jack Stand . . . . . 26

    Combustible Gas . . . . . 26

    Control Panel . . . . . 19

    CSA/UL Approval . . . . . 29

    Doosan 22" Website . . . . . 26

    Engine Oil & service . . . . . 25

    Hazardous Voltage . . . . . 26

    Hot Pressurized Fluid . . . . . 25

    Improper Operation . . . . . 25

    IR Logo 16" . . . . . 25

    ISO Central Drain . . . . . 26

    ISO Diesel Fuel . . . . . 25

    Lifting Instructions . . . . . 25

    Line Up Arrows . . . . . 26

    LSC Model Number . . . . . 25

    Operating Instructions . . . . . 26

    Radiator Hot Fill . . . . . 26

    Roll Over . . . . . 26

    Rotating Fan . . . . . 25

    Tire Load . . . . . 25

    Tower Operating Instructions . . . . . 25

    Towing Notice . . . . . 26

    Ultra Violet Radiation . . . . . 26

    VIN . . . . . 25

    Warning Crush . . . . . 26

Diodes . . . . . 9

Drawbar . . . . . 34

## WORD INDEX

### E

Element	
Air Cleaner	14
Air Filter (Not Shown)	11
Engine	10
Engine Fan	11
Eyebolt	24

### F

Fan	9
Fan Belt	11
Fender	27
Filter	
Engine Air Complete (Not Shown)	11
Engine Fuel (Not Shown)	11
Engine Oil	11
Flange	
Interchangeable	9
Frame	21
Top	29

### G

Gasket	
Insulated Pad	29
Lens	29
Top Frame	29
Generator	8
Grommet	
License Plate	27
Guard	
Door Edge	24
Fan LH Side	12
Fan RH Side	12

### H

Handle	
Adjustment	29
Winch	30
Harness	
Engine (Not Shown)	19
Hinge	24
Hold Down	17
Hook	
lifting	9
Hose	
Air Intake	14
Fuel	12
Fuel (Eng to Tank Return)	16
Fuel (Lift Pump Out to Eng Feed)	16
Fuel (Tank Feed to Lift Pump In)	16
Radiator Bottom	12
Radiator Top	12
Housing	
Base	29
Hub Assembly	6

### I

Isolator	
180 lb	8, 10

### J

Jack	21
Outrigger	21
J-Bolt	17
Joint	
Threaded	
W/Bushing	
Ring and Nut	29
Jumper	
Flat Slip-On	19

### K

Key	19
-----	----

### L

Label	
Aiming	29
Lamp	
1000W	29
Red	27
Stop	
Turn and Tail	27
Yellow	27
Lamp Assembly	
Complete	29
L-Bolt	30
Lens	
Glass	29
Level	
Circular	21
Light License	27
Line	
Fuel Pick-up	15

### M

Meter	
Hour	19
Middle Tower Assembly	32
Middle Tube Assembly	34
Muffler Assembly	13

### N

Nut	
Cable Gland	9
Locking	19, 30, 33
Spindle	6
Top Lock	7
U-Bolt	6
Wheel	6
Nutsert	12, 19

## WORD INDEX

### P

Pad	
Insulation	29
Rubber	15
Panel	
Control	19
Door	24
Front	24
Rear	24
Roof	24
Side	24
Parts Ordering	3
Pin	22, 23
Clevis	22, 31, 32
Cotter	6, 22, 31, 32
Outrigger	21
Spring	23
Pipe	
Exhaust	13
Plate	
Tie	6
Plates	
Disc Ring	9
Plug	
Hole	19
Pulley	22, 31, 32, 34
Pump	
Lift	14

### R

Radiator	
Aluminum	12
Receptacle	
Duplex	19
Reflector	
Lamp Side	29
Main	29
Red	26
Side	29
Relay	
12VDC	
40A	19
Time Delay	
10 Second	19
Rest	
Tower	23
Rotor Assembly	9

### S

Screw	
Tapping	10, 19, 20, 21, 23
Screw (to Flywheel Housing Assy)	10
Screw (to Frame Assy)	10
Seal	
Grease	6
Rear	9
Shackle	7

Sheet	
Instruction	
Flood Lamp	29
Shroud	
Wire	31
Sleve	
Fiberglass	29
Slide	
Tower	31, 32
Socket	19
5kv	29
Solenoid Assembly	
Engine (Not Shown)	11
Spring	
Double Eye	6
Eyebolt	24
Flat	22
Lamp	29
Strain Relief	29
Starter (Not Shown)	11
Stator	
Wound	9
Stem	
valve Asm (Not Shown)	7
Strap	
Ground	10
Stud	
Wheel	7
Support	
Diode Heat Sink	9
Generator	8
Tower	22
TowerPivot	22
Switch	
Oil Pressure (Not Shown)	11
Start W/Key	19
Temp (Not Shown)	11
Toggle	19

### T

Tank	
Fuel	15
Tape	
Double Sided	21
Tie	
Cable	20
Tire	7
Tire and Wheel Asm (Not Shown)	7
Top Tower Assembly	33
Top Tube Assembly	34
Tower Assembly	34
Tube	
Jack Mounting	21

## WORD INDEX

### W

Washer .....	6, 8, 10, 11, 21, 23, 31, 32, 33
Flat .....	29
Nylon .....	24
Rubber .....	29
Spring .....	29
Star .....	29
Wheel .....	7
Winch .....	21
Manual .....	30, 34

### Y

Yoke	
Trunion .....	29



## Revision History

<u>Rev Level</u>	<u>EC Number</u>	<u>Comments</u>
A	SVC31233	Original Release 6-27-10
B	SVC31256	Revised per EC

## Revision History

<u>Rev Level</u>	<u>EC Number</u>	<u>Comments</u>
------------------	------------------	-----------------



**Doosan Infracore**  
Portable Power

Doosan Infracore Portable Power  
1293 Glenway Drive  
Statesville, N.C. 28625  
[www.doosanportablepower.com](http://www.doosanportablepower.com)

