



# Ingersoll-Rand

## PARTS MANUAL

**MODEL: LIGHTSOURCE  
50 HZ**

**Code:**



**This manual contains important safety information.**

**Do not destroy this manual.**

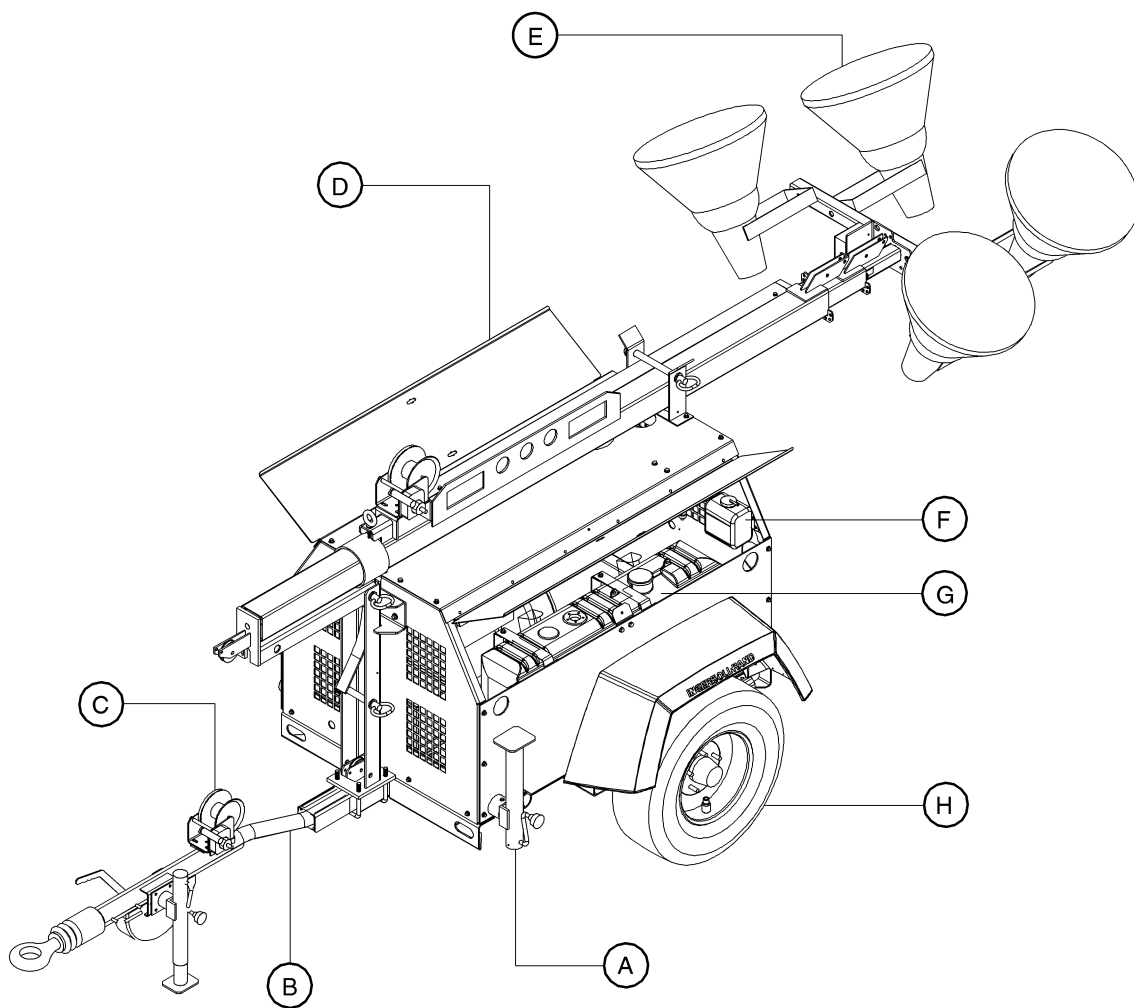
**This manual must be available to the personnel who operate and maintain this machine.**



**Portable Power**  
P.O. Box 868 - 501 Sanford Ave  
Mocksville, N.C. 27028  
[www.portablepower.irco.com](http://www.portablepower.irco.com)

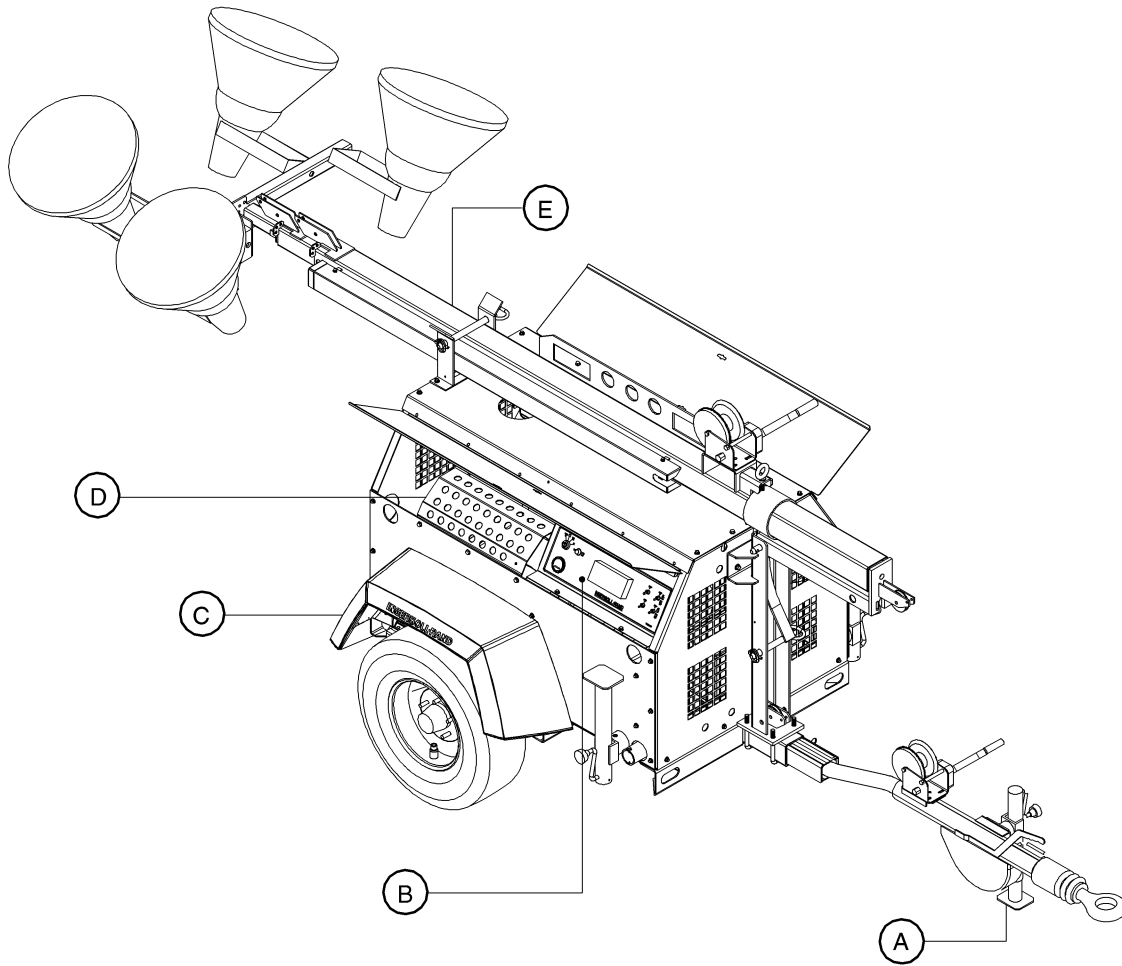
*Doosan purchased Bobcat Company from Ingersoll-Rand Company in 2007. Any reference to Ingersoll-Rand Company or use of trademarks, service marks, logos, or other proprietary identifying marks belonging to Ingersoll-Rand Company in this manual is historical or nominative in nature, and is not meant to suggest a current affiliation between Ingersoll-Rand Company and Doosan Company or the products of either.*

GENERAL ARRANGEMENT ( LEFT SIDE )



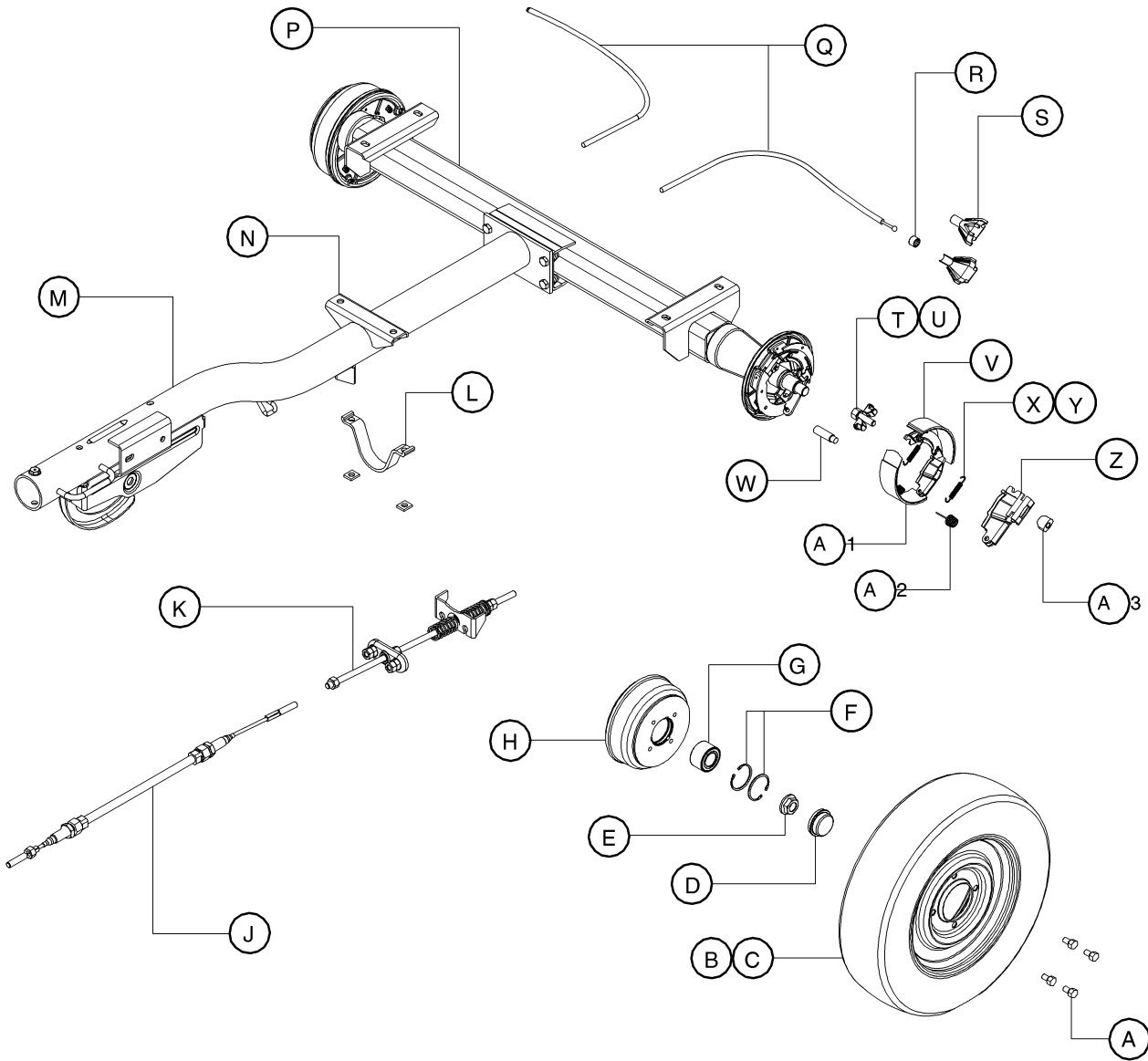
ITEM	CPN	QTY	DESCRIPTION	ITEM	CPN	QTY	DESCRIPTION
A	36923407	1	JACK , STABILIZER				
B	22257794	1	RUNNING GEAR ASSEMBLY				
C	36923654	1	WINCH ( MANUAL )				
	36878056	1	WINCH ( ELECTRIC )				
D	36923183	1	DOOR				
E	22282586	1	OPTICAL ASSEMBLY				
F	36884948	1	BOTTLE , COOLANT				
G	36881100	1	TANK , FUEL				
H	54737408	1	TIRE AND WHEEL ASSEMBLY				

GENERAL ARRANGEMENT ( RIGHT SIDE )



ITEM	CPN	QTY	DESCRIPTION	ITEM	CPN	QTY	DESCRIPTION
A	36923415	1	JACK , DRAWBAR				
B	22147037	1	CONTROL PANEL ASSEMBLY ( MANUAL )				
	22282131	1	CONTROL PANEL ASSEMBLY ( ELECTRIC )				
C	36877579	1	FENDER				
D	22253470	1	SHIELD , HEAT				
E	TOWER ASSEMBLY						

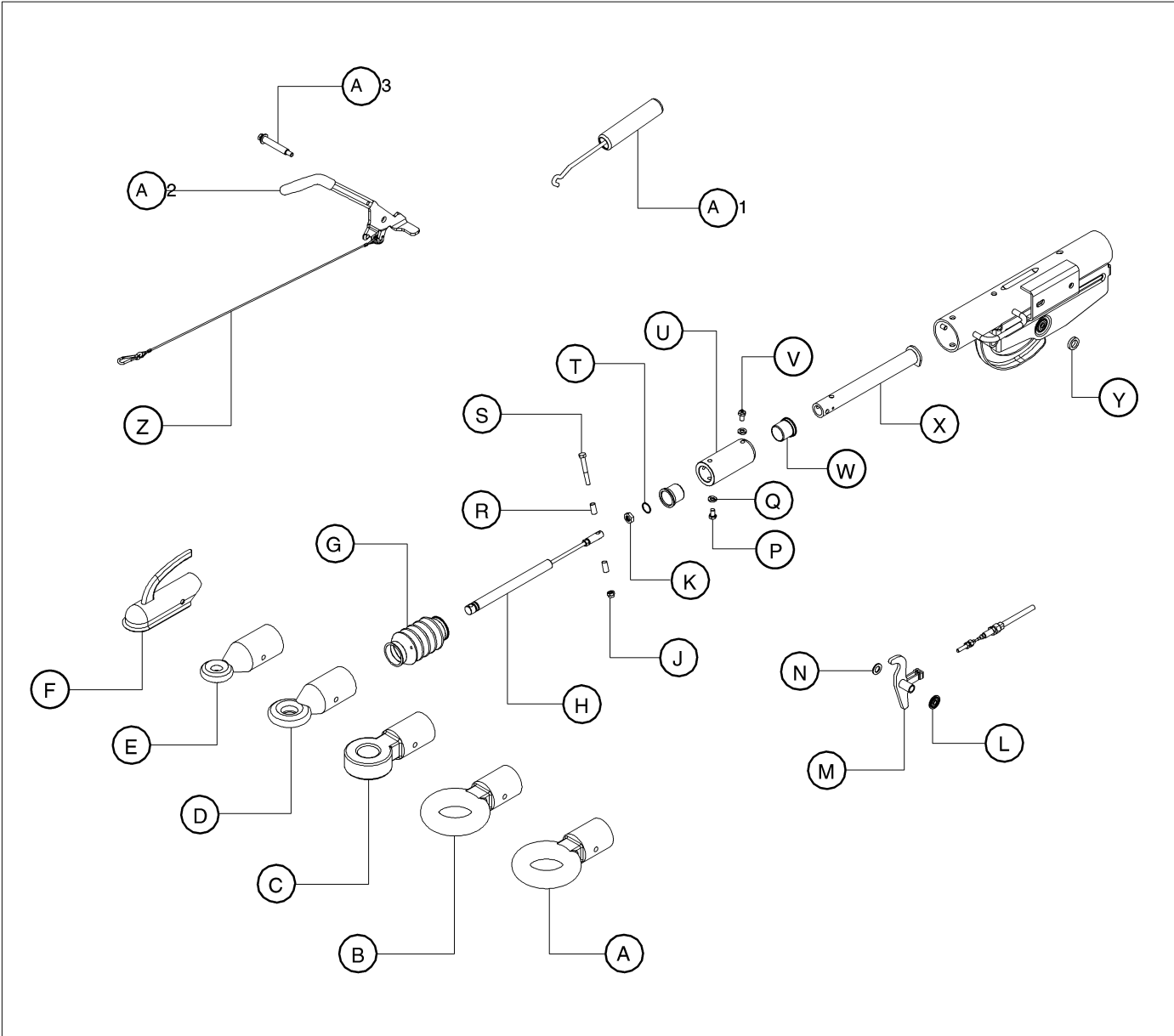
RUNNING GEAR ASSEMBLY



ITEM	CPN	QTY	DESCRIPTION	ITEM	CPN	QTY	DESCRIPTION
A	22051080	8	LUG , WHEEL	V	22051163	2	SHOE , REAR BRAKE
B	22066989	2	TIRE	W	22051262	2	ATTACHMENT
C	22066971	2	WHEEL	X	22051171	2	SPRING , LOWER
D	22051098	2	CAP , GREASE	Y	22051189	2	SPRING , UPPER
E	22051114	2	NUT , SPINDLE	Z	22051205	2	LEVER
F	22051130	4	RING , SNAP	A1	22051155	2	SHOE , FRONT BRAKE
G	22051122	2	BEARING , WHEEL	A2	22051197	2	SPRING , KEEPER
H	22051106	2	DRUM , BRAKE	A3	22051221	2	TAPER
J	22099444	1	CABLE , AJUSTABLE		22134621		RUNNING GEAR ASSEMBLY
K	22099451	1	COMPENSATOR				
L	22051908	1	CLAMP				
M	22066807	1	DRAWBAR				
N	22066773	1	PAD				
P	22066815	1	TUBE , AXLE				
Q	22051288	1	CABLE				
R	22051270	2	SLEEVE				
S	22051254	2	COVER				
T	22051213	4	KEY				
U	22051239	2	SCREW				

MANUAL NO.—DRAWING NO. DATE / REV:  
22149124 3 5/02 A

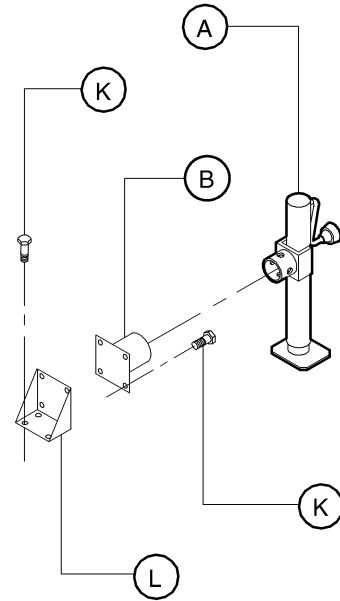
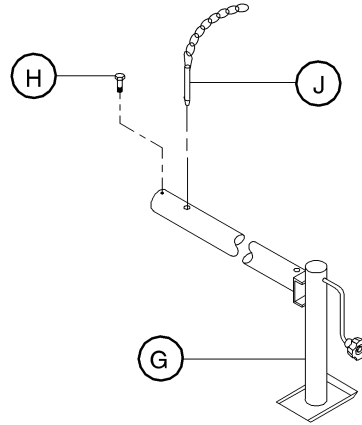
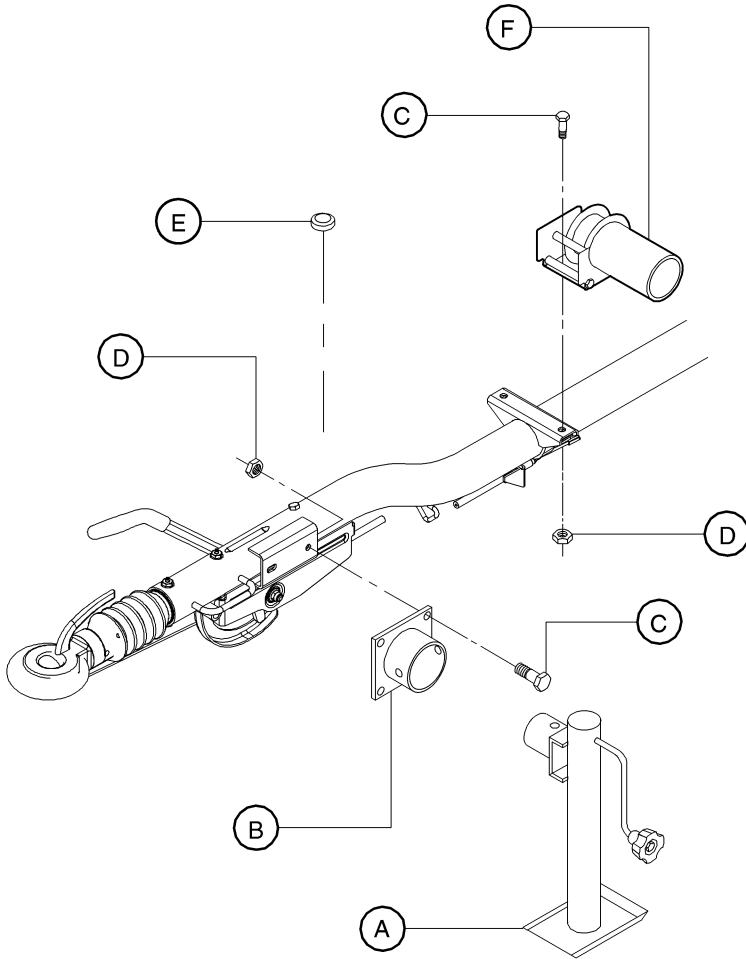
RUNNING GEAR ASSEMBLY



ITEM	CPN	QTY	DESCRIPTION	ITEM	CPN	QTY	DESCRIPTION
A	54774542	1	EYE , PINTLE ( 76 MM )	V	22051403	2	FITTING , GREASE
B	54774534	1	EYE , PINTLE ( 68 MM )	W	22051536	2	GUIDE
C	54774518	1	EYE , PINTLE ( 50 MM )	X	22051817	1	SLIDER
D	54774500	1	EYE , PINTLE ( 40 MM )	Y	22051494	1	LOCKNUT
E	54774492	1	EYE , PINTLE ( 28 MM )	Z	22051841	1	CABLE
F	92714211	1	HITCH , BALL	A1	22051619	1	SPRING
G	22051510	1	COVER	A2	22051833	1	LEVER , HANDBRAKE
H	22104970	1	DAMPER	A3	22051866	1	BOLT
J	22051494	1	LOCKNUT		22134621		RUNNING GEAR ASSEMBLY
K	22051577	1	LOCKNUT				
L	22051874	1	WASHER				
M	22051858	1	LEVER				
N	22051882	1	WASHER				
P	22051676	2	BOLT				
Q	22051460	4	WASHER				
R	22051551	2	BUSHING				
S	22051569	1	BOLT				
T	22051585	1	RING				
U	22051395	1	TUBE				

MANUAL NO.—DRAWING NO. DATE / REV:  
22149124 4 5/02 A

JACKS AND MOUNTING

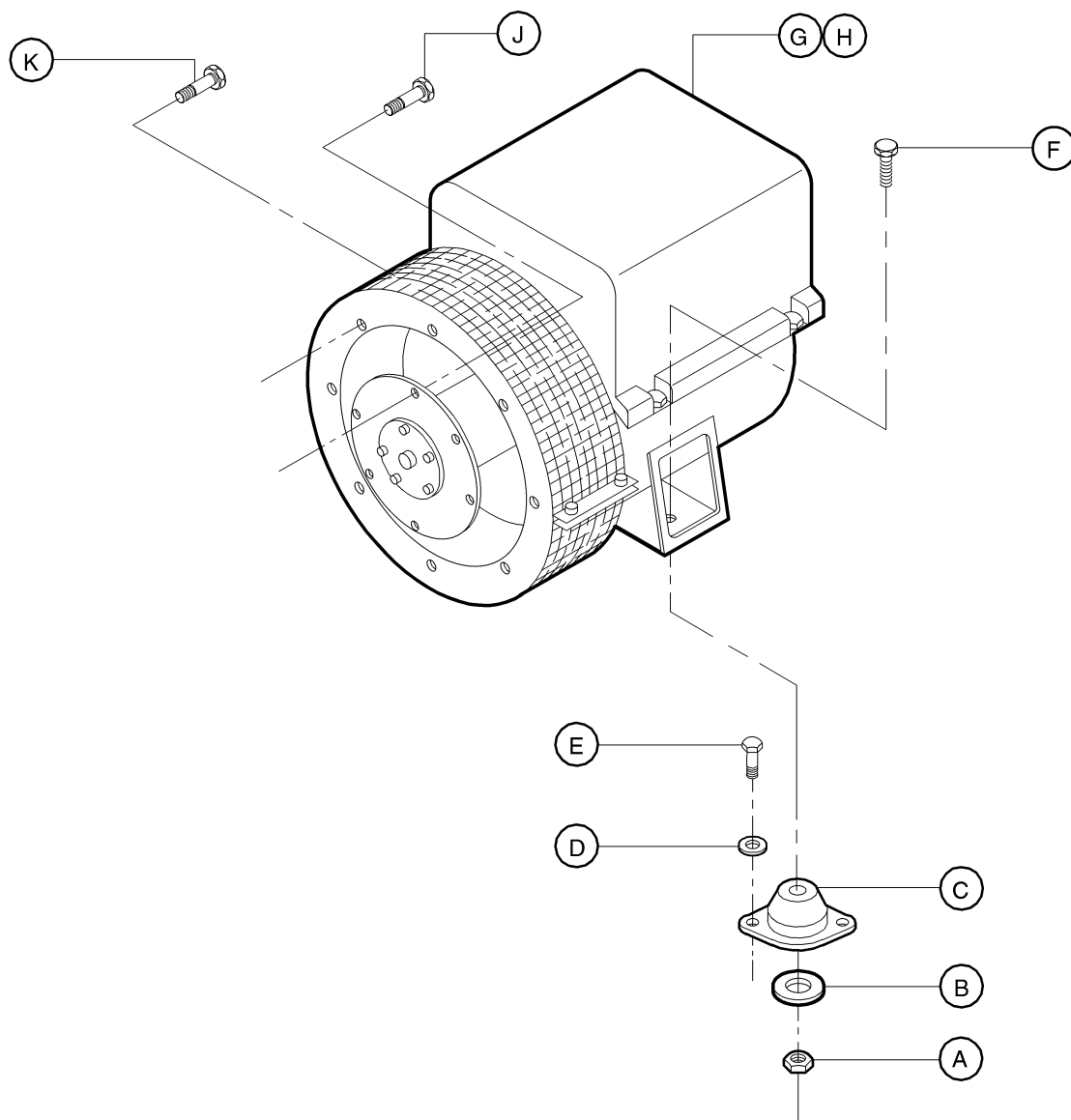


ITEM	CPN	QTY	DESCRIPTION	ITEM	CPN	QTY	DESCRIPTION
A	36923415	1	JACK				
B	36796068	1	BRACKET , JACK				
C	36889608	6	SCREW				
D	36881886	6	NUT				
E	36787398	1	LEVEL , BUBBLE				
F	36878056	1	WINCH , ELECTRIC				
G	36923407	2	OUTRIGGER				
H	92368687	2	SCREW				
J	36848224	2	PIN				
K	35279025	8	SCREW				
L	54410600	1	BRACKET , SUPPORT				

TAMPER-PROOF WINCH KIT

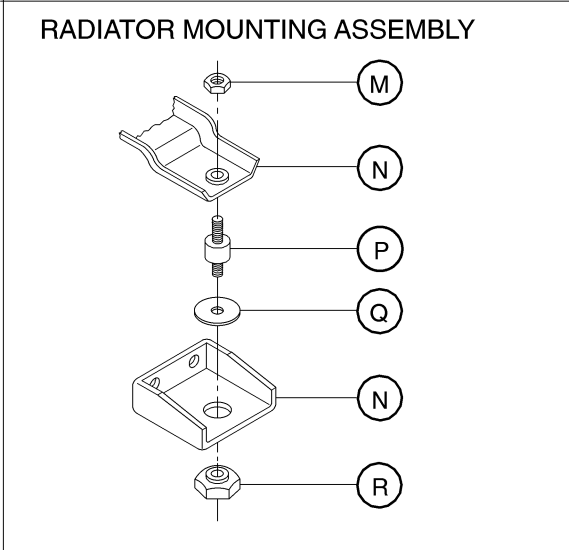
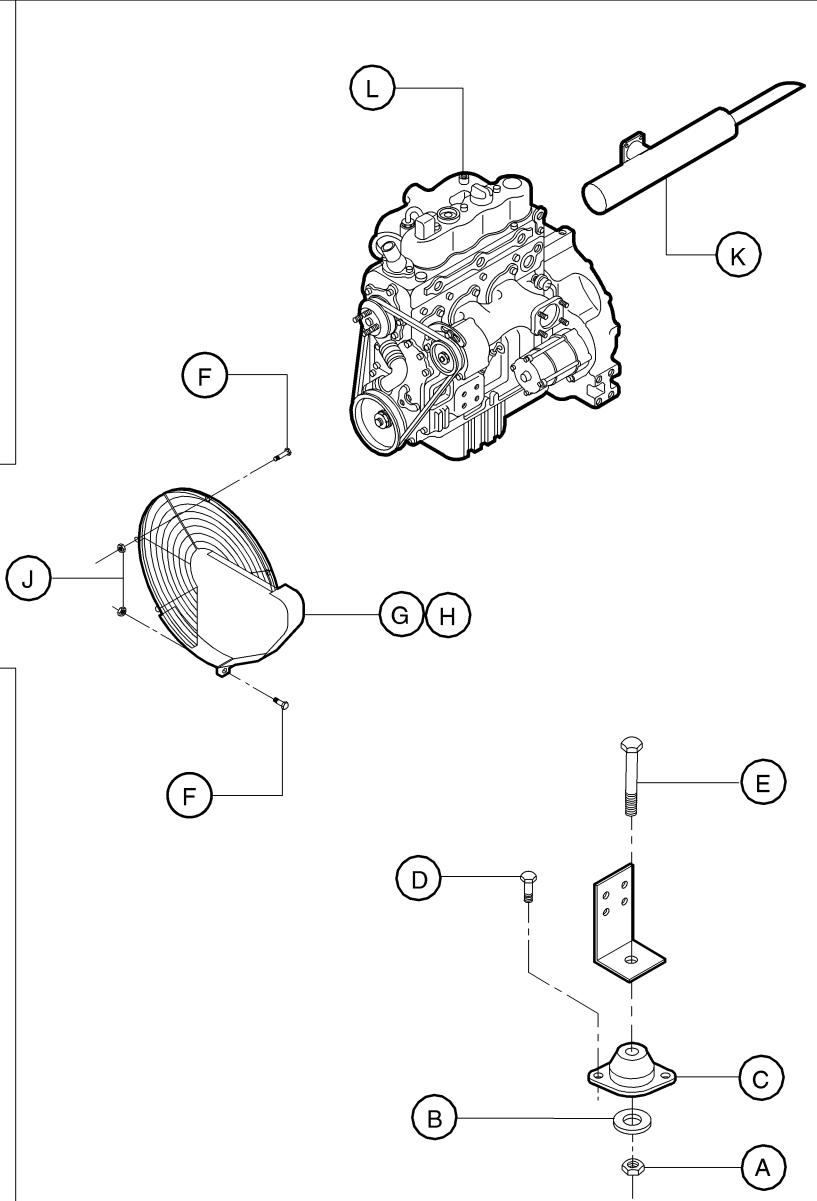
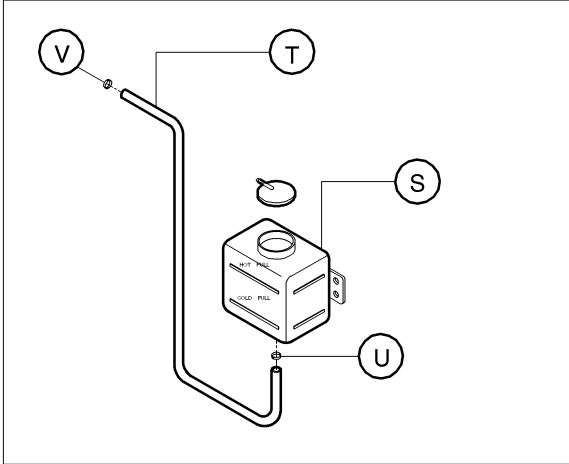
22301303	1	NUT , TAMPER-PROOF
22301329	1	TOOL , NUT REMOVAL

GENERATOR AND MOUNTING



ITEM	CPN	QTY	DESCRIPTION	ITEM	CPN	QTY	DESCRIPTION
A	35273366	2	NUT				
B	36899037	2	WASHER				
C	36875565	2	ISOLATER				
D	95934998	4	WASHER				
E	35279025	4	SCREW				
F	96730411	2	SCREW				
G	43214345	1	GENERATOR , 7KW				
H	43214568	1	CAPACITOR				
J	95067864	6	SCREW				
K	95920674	8	SCREW				
	36888915	1	CONNECTOR , STRAIN RELIEF				

ENGINE ASSEMBLY

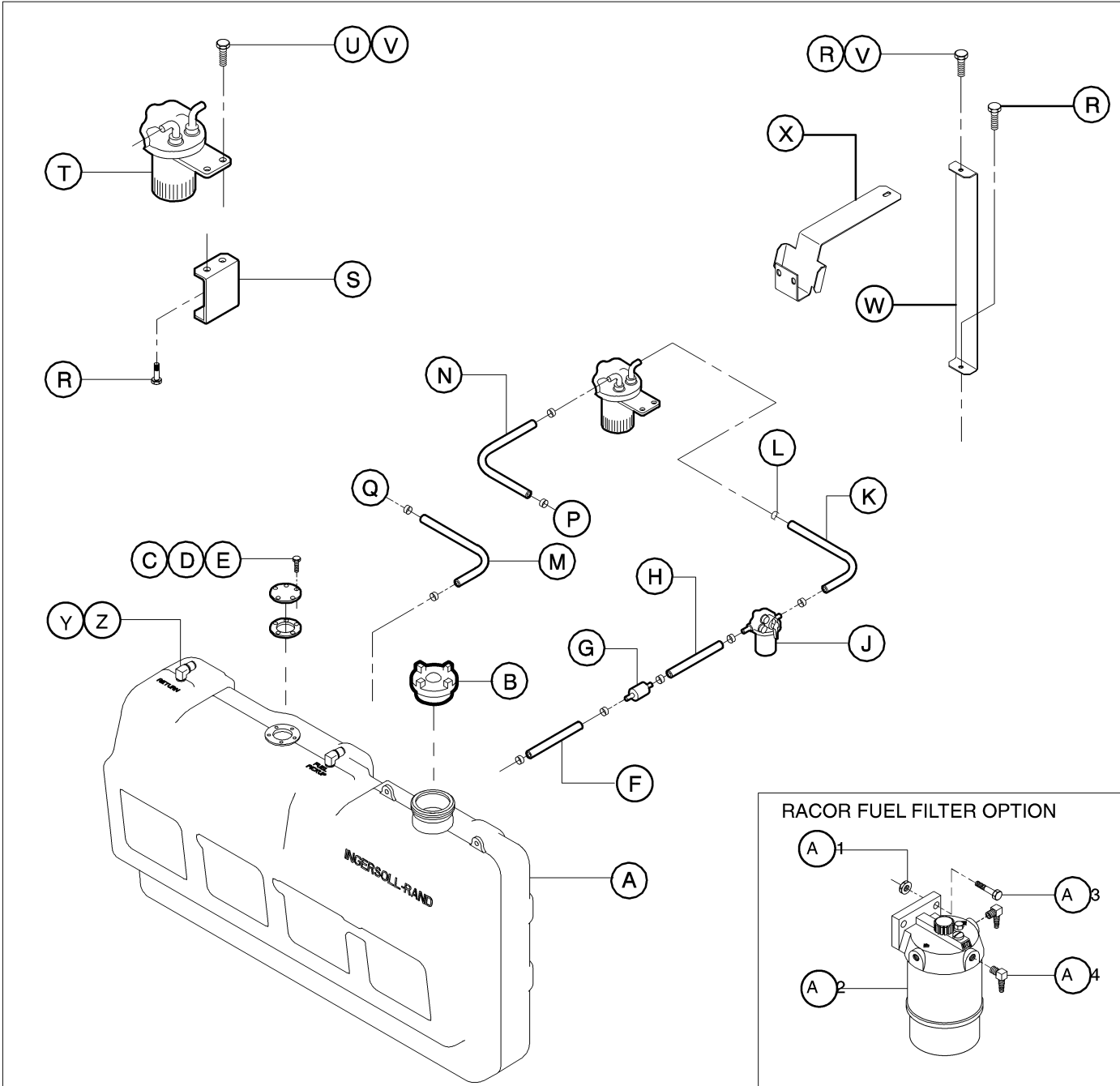


ITEM	CPN	QTY	DESCRIPTION	ITEM	CPN	QTY	DESCRIPTION
A	35279025	2	NUT	36870574			FILTER , ENGINE OIL
B	36899037	2	WASHER	36870566			FILTER , ENGINE FUEL
C	36875565	2	ISOLATOR	36890135			FILTER , ENGINE AIR
D	35279025	4	SCREW	36878379			SWITCH , 12 PSI
E	96730411	2	SCREW	36868479			SWITCH , WATER TEMP.
F	36898096	7	SCREW	36861656			RELAY , 80 AMP
G	36868727	1	GUARD , FAN	36878189			KIT , SOLENOID
H	36871614	1	BRACKET , FAN GUARD	36878197			GASKET , SOLENOID
J	36898104	7	NUT	36888170			ALTERNATOR
K	22258446	1	MUFFLER	36888501			ENGINE FAN
L	43214881	1	ENGINE , KUBOTA ( 1105 SERIES )	36888477			RAD. BOTTOM HOSE
M	95923314	2	NUT	36888485			HOSE CLAMP
N	EXISTING RADIATOR AND ENGINE BRACKET			36888493			FAN BELT
P	35307149	2	MOUNT , RUBBER	36888188			STARTER
Q	36898542	2	WASHER	36888451			RADIATOR
R	43214808	2	NUT , SHOULDER	36888469			RAD. TOP HOSE
S	36884948	1	BOTTLE , OVER-FLOW				
T	35363498	1	HOSE ( 27 INCHES )				
U	35296342	2	CLAMP				
V	FROM RADIATOR						

MANUAL NO.—DRAWING NO. DATE / REV:  
22149124 7 6/03 B



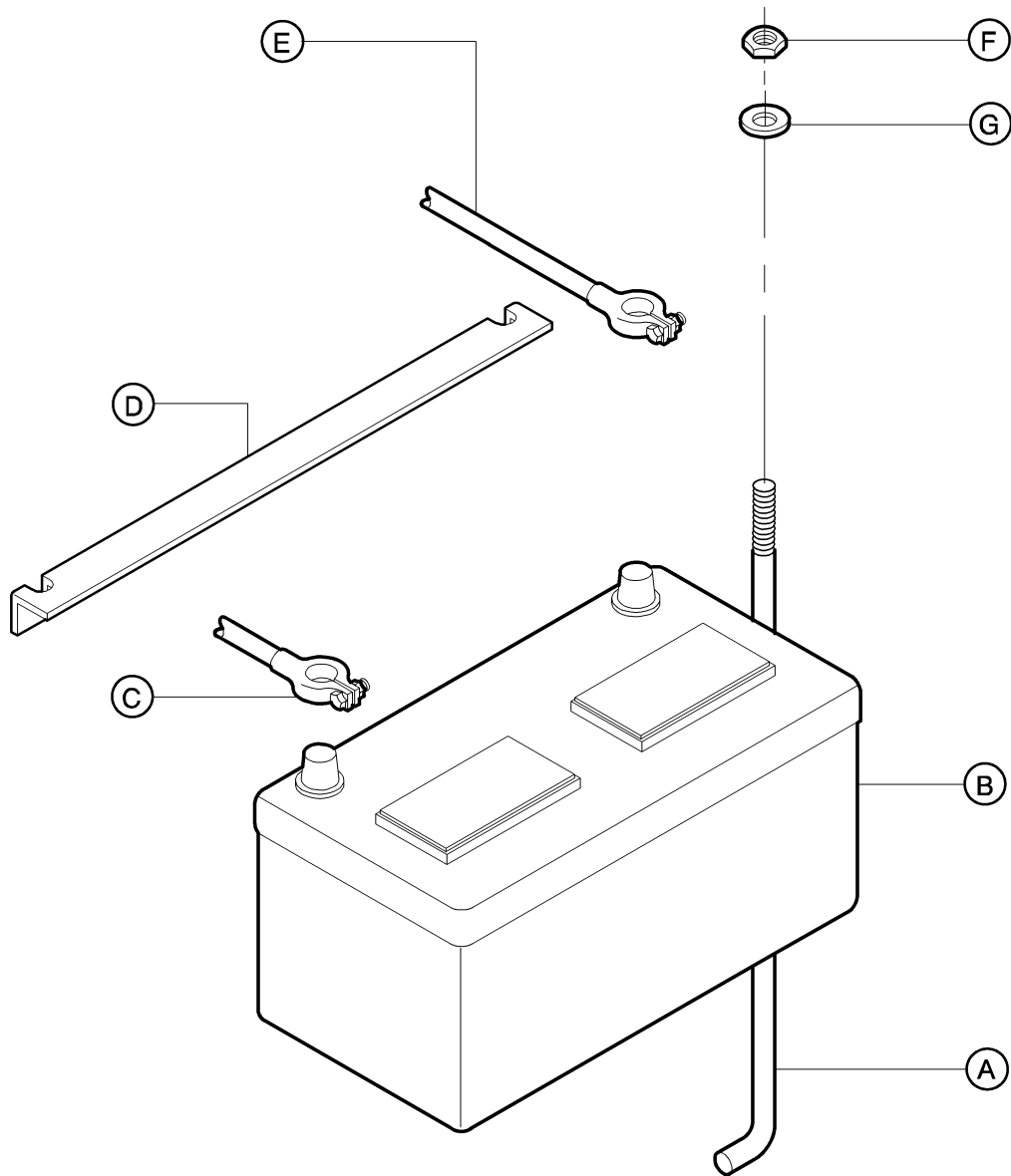
FUEL TANK AND PIPING



ITEM	CPN	QTY	DESCRIPTION	ITEM	CPN	QTY	DESCRIPTION
A	36881100	1	TANK , FUEL	Q			FROM ENGINE RETURN
B	36885564	1	CAP , FUEL TANK	R	35279025	8	SCREW
	35385111	1	GASKET	S	36923274	1	BRACKET , FILTER
C	95916532	5	SCREW	T	36870566	1	FILTER , ENGINE FUEL
D	36792828	1	COVER	U	36889608	2	SCREW
E	35361849	1	GASKET	V	36881886	3	NUT
F	35363498	1	HOSE ( 4 INCHES )	W	22259386	1	STRAP , VERTICAL
G	36845493	1	FILTER , INLINE	X	22260905	1	STRAP , TOP
H	35363498	1	HOSE ( 30 INCHES )	Y	35392307	2	FUEL TANK PIPE ASSEMBLY
J			ENGINE INJECTOR PUMP	Z	35384577	2	BUSHING
K	35363498	1	HOSE ( 30 INCHES )	A1	36881886	2	NUT
L	35296342	10	CLAMP	A2	36500957	1	FILTER
M	35282078	1	HOSE ( 24 INCHES )	A3	36889608	2	SCREW
N	35363498	1	HOSE ( 23 INCHES )	A4	35378538	2	ELBOW , BARBED
P			TO ENGINE				

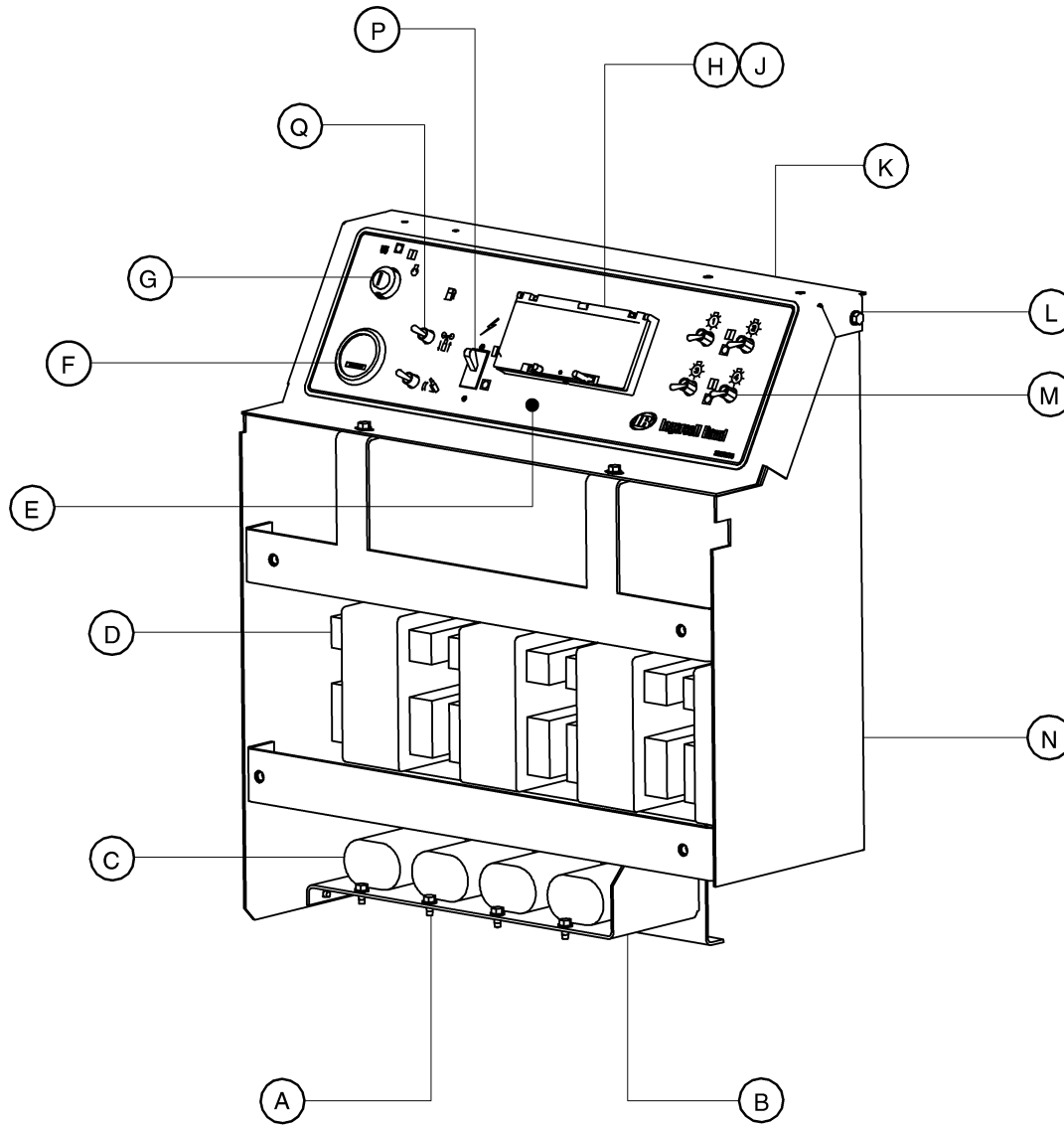
MANUAL NO.—DRAWING NO. DATE / REV:  
22149124 8 6/03 B

BATTERY AND MOUNTING



ITEM	CPN	QTY	DESCRIPTION	ITEM	CPN	QTY	DESCRIPTION
A	36923282	2	ROD , HOLD-DOWN ROD				
B	22246797	1	BATTERY , 12V				
C	36892685	1	CABLE , NEGATIVE ( 37 INCHES )				
D	36853257	1	ANGLE , TIE-DOWN				
E	35516582	1	CABLE , POSITIVE ( 48 INCHES )				
F	95923298	2	NUT				
G	36853265	2	WASHER , NYLON				
	35578194	1	STRAP , GROUND				

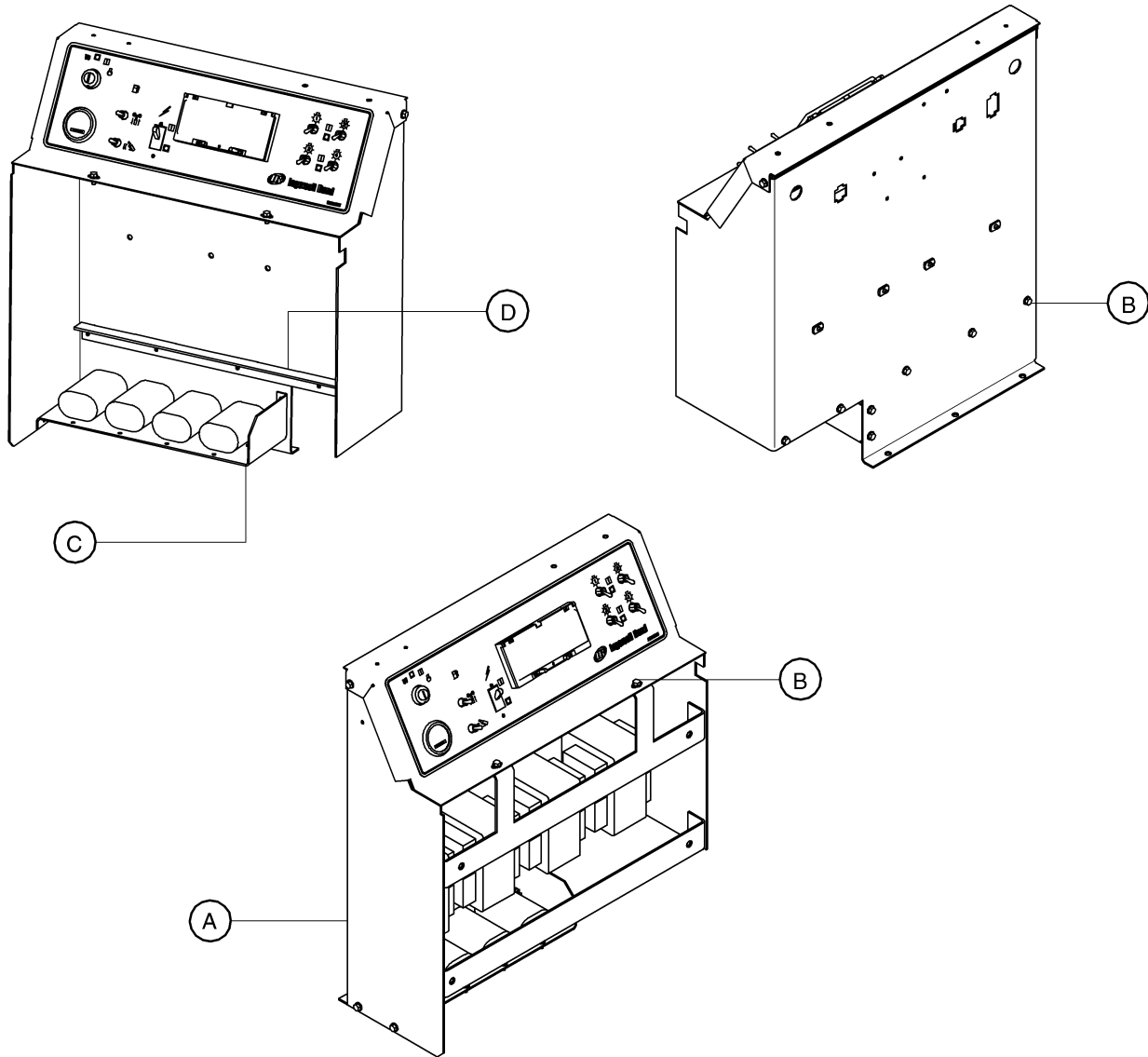
INSTRUMENT / CONTROL PANEL ASSEMBLY



ITEM	CPN	QTY	DESCRIPTION	ITEM	CPN	QTY	DESCRIPTION
A	36797652	13	SCREW				
B	36923076	1	BRACKET , CAPACITOR				
C	43214097	4	BALLAST AND CAPACITOR				
D	43214097	4	BALLAST AND CAPACITOR				
E	22111876	1	DECAL , CONTROL PANEL ( MANUAL )				
	22275275	1	DECAL , CONTROL PANEL ( ELECTRIC )				
F	36841245	1	HOURMETER				
G	36786457	1	SWITCH , IGNITION				
H	22123517	1	BREAKER , 25A CIRCUIT				
J	22113021	1	COVER , BREAKER				
K	21110449	1	COVER , CONTROL PANEL				
L	35300771	4	SCREW				
M	35337435	4	BREAKER , LAMP ( DPST )				
N	36923068	1	BALLAST BOX ASSEMBLY				
P	36850402	1	BREAKER , 70 AMP				
	95942496	2	SCREW				
Q	36794204	2	SWITCH , SPDT TOGGLE				
	54364864	1	HARNESS , CONTROL PANEL - MSA 60 HZ				
	22111082	1	HARNESS , CONTROL PANEL - ESA 50 HZ				

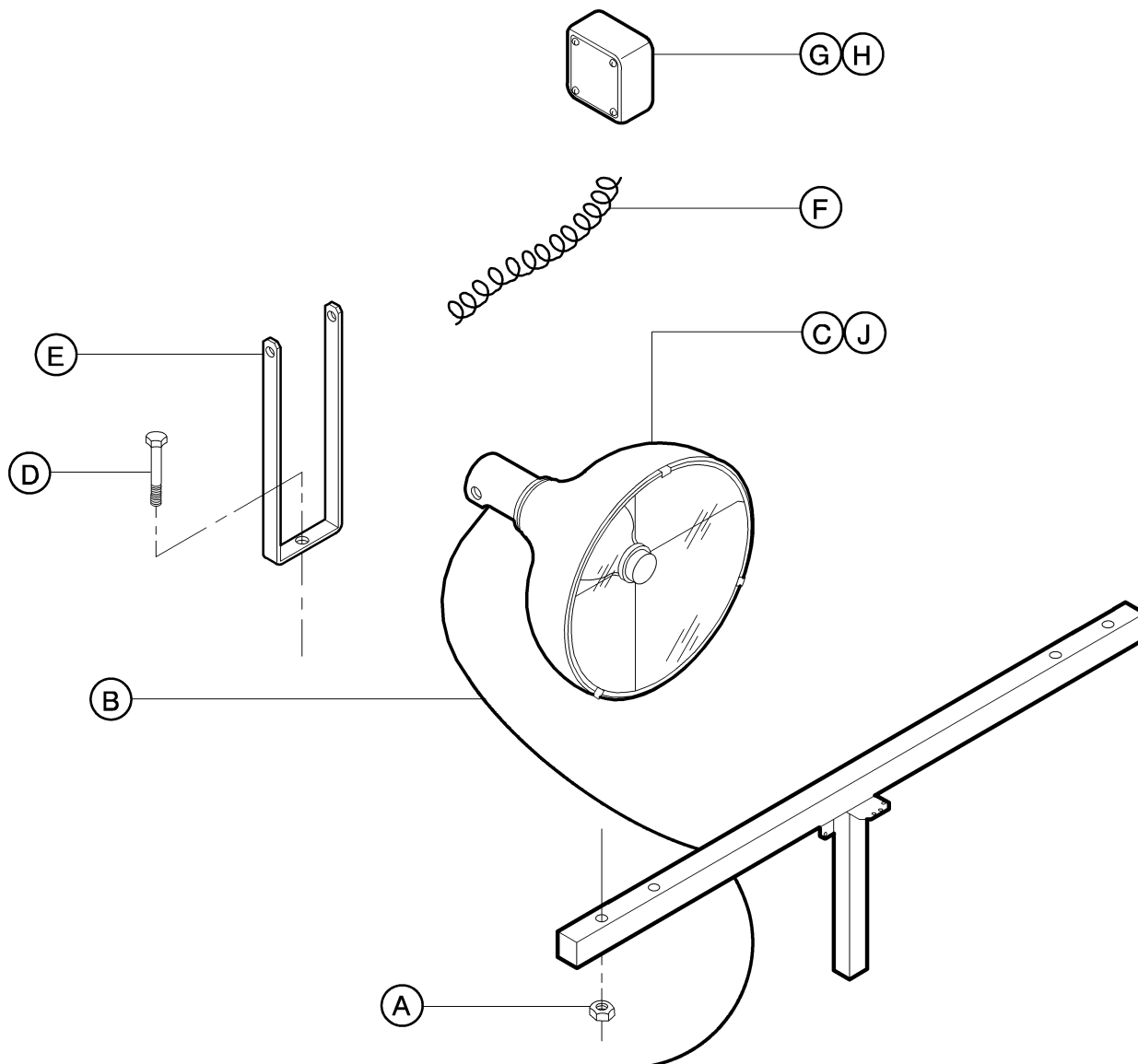
MANUAL NO.—DRAWING NO. DATE / REV:  
22149124 10 6/03 B

INSTRUMENT / CONTROL PANEL ASSEMBLY



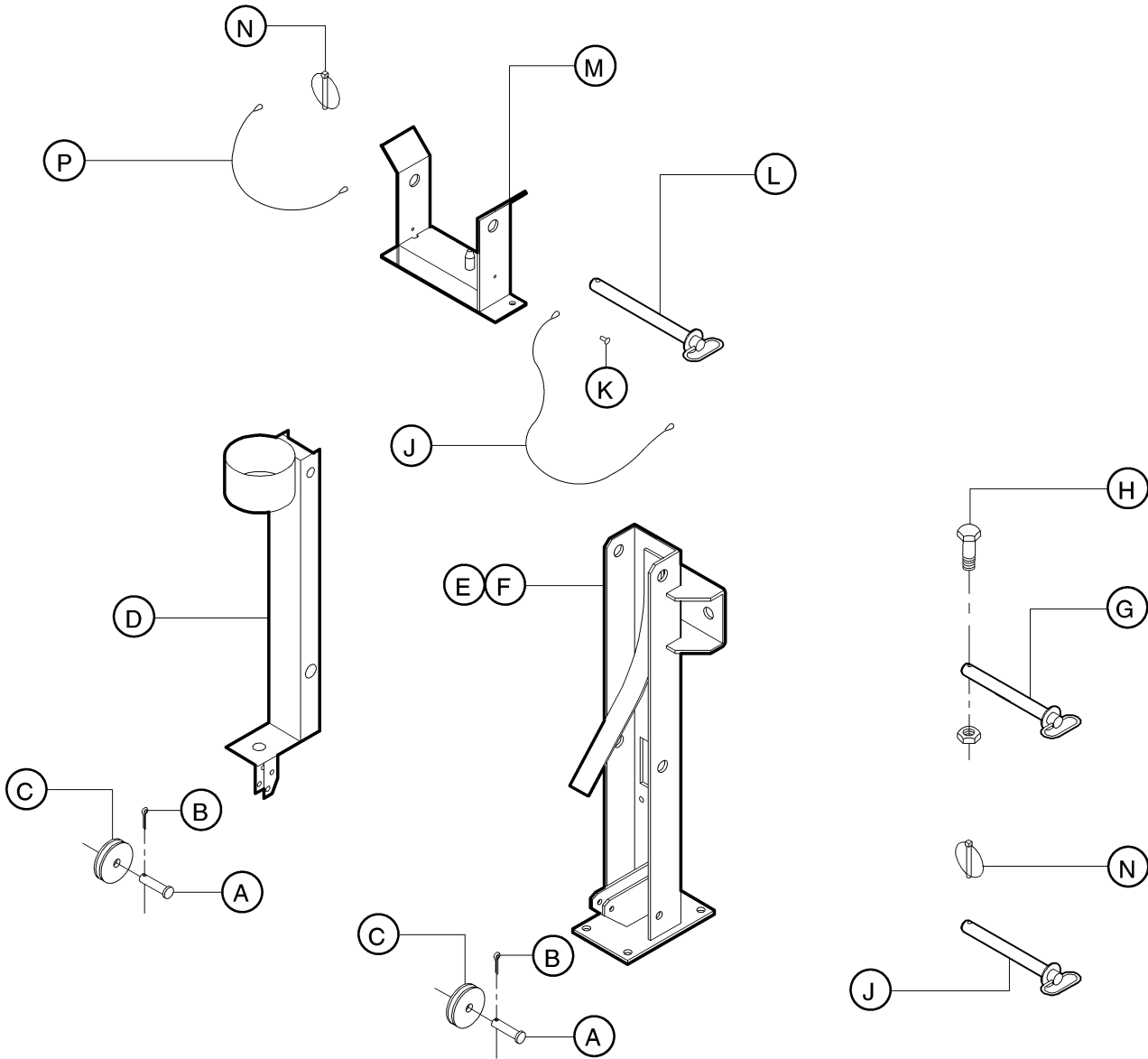
ITEM	CPN	QTY	DESCRIPTION	ITEM	CPN	QTY	DESCRIPTION
A	36923068	1	BRACKET , BALLAST BOX				
B	36797652	21	SCREW				
C	36923076	1	BRACKET , CAPACITOR				
D	36923050	1	BRACKET , BALLAST BOX				

LIGHTS AND MOUNTING



ITEM	CPN	QTY	DESCRIPTION	ITEM	CPN	QTY	DESCRIPTION
A	95923363	4	NUT				
B	36885481	4	CORD WITH PLUG				
C	22282586	4	OPTICAL ASSEMBLY				
D	95935478	4	SCREW				
E	36922920	4	TRUNNION				
F	54363734	1	CORD				
G	36885838	1	BOX , JUNCTION				
H	36885945	1	COVER				
J	36847747	4	LAMP , METAL HALIDE				

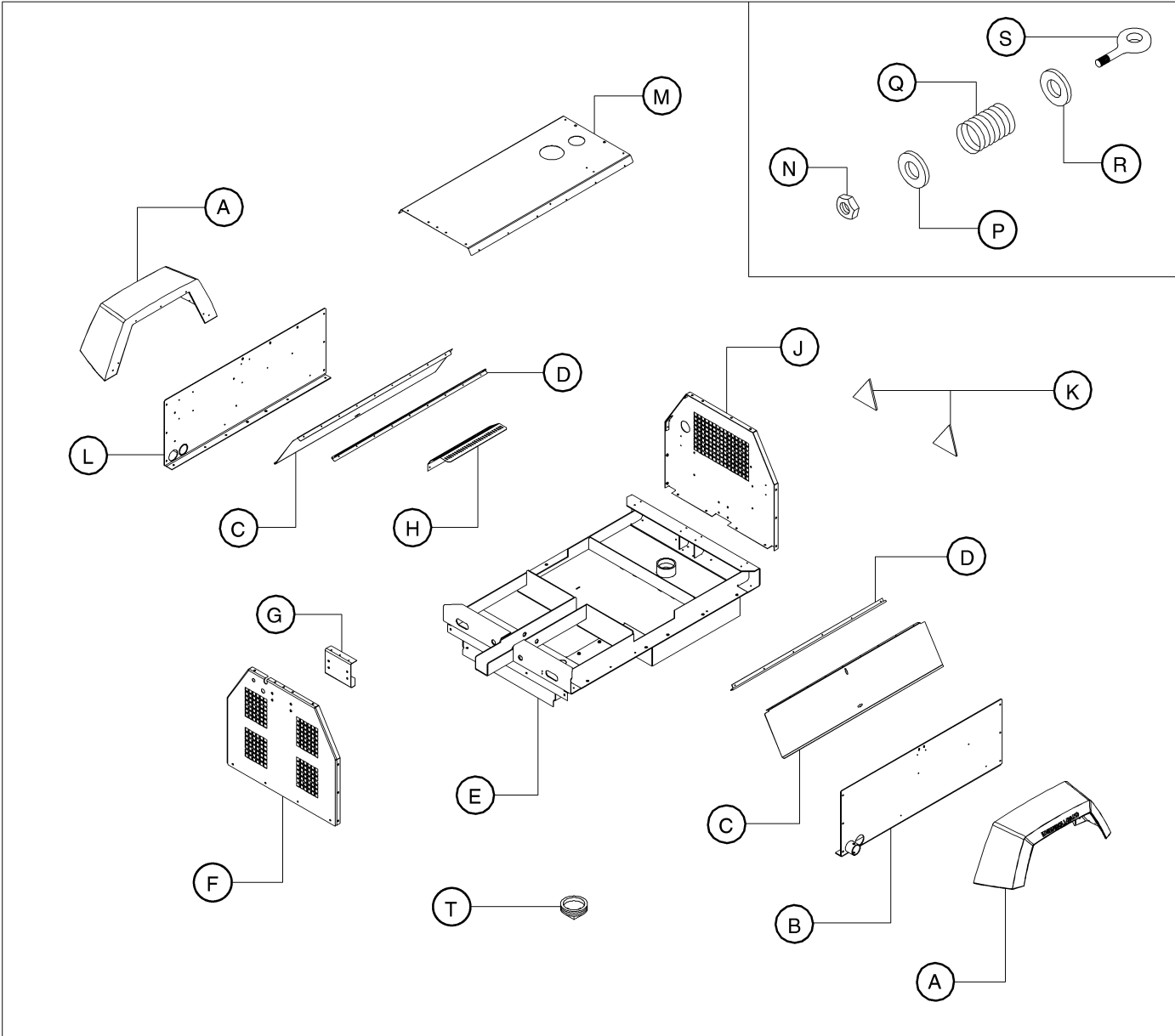
TOWER BRACKETS



ITEM	CPN	QTY	DESCRIPTION	ITEM	CPN	QTY	DESCRIPTION
A	36783868	1	PIN , PULLEY				
B	95928867	1	PIN , COTTER				
C	36783009	1	PULLEY				
D	36885614	1	SUPPORT , TOWER PIVOT				
E	36923258	1	SUPPORT , TOWER				
F	36885549	1	SPRING , FLAT				
G	36869253	1	BOLT				
H	35271170	1	BOLT				
	36881886	1	NUT				
J	36786218	1	CABLE , PIN				
K	36843282	1	RIVET				
L	36870020	1	PIN				
M	36885697	1	REST , TOWER				
N	36794170	1	PIN , SPRING				
P	36786226	1	CABLE , PIN				

MANUAL NO.—DRAWING NO. DATE / REV:  
22149124 13 5/02 A

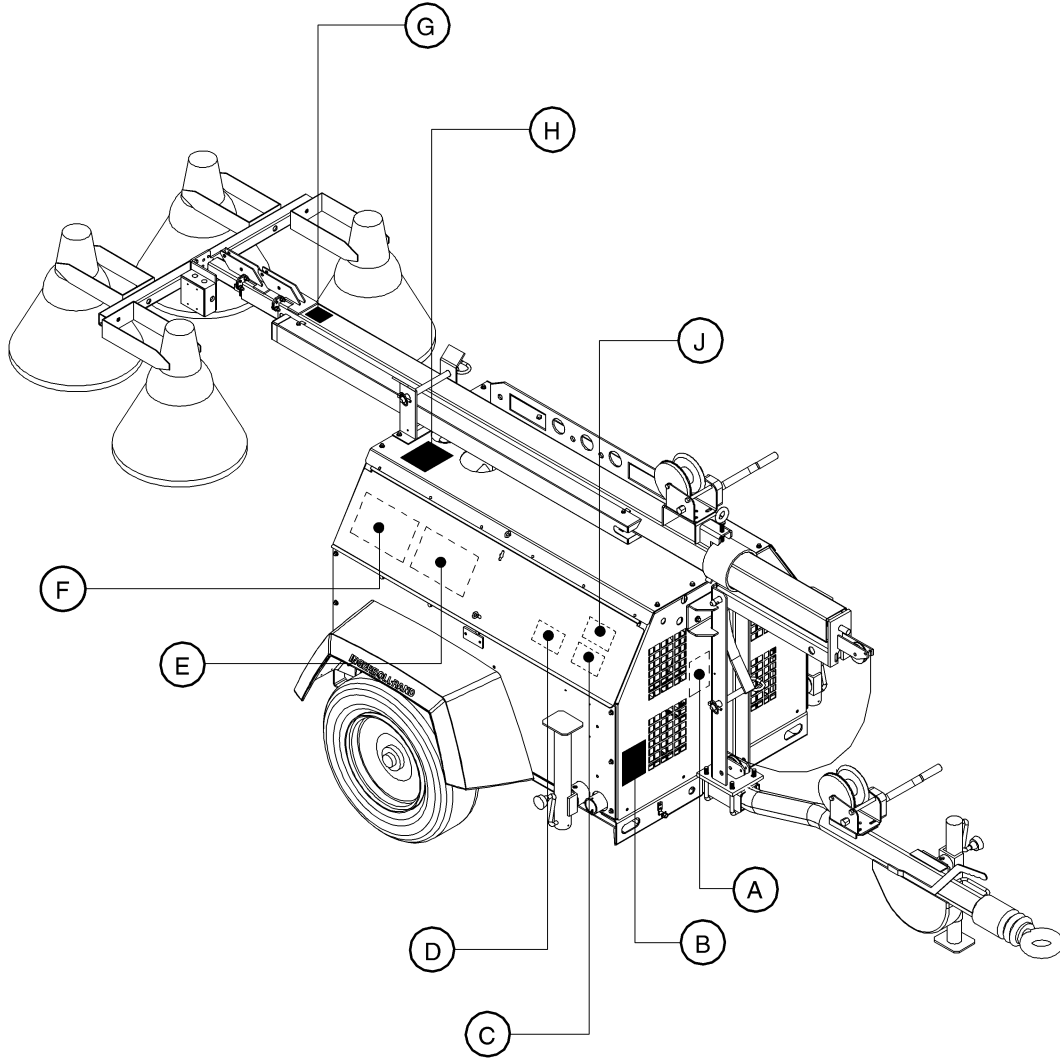
ENCLOSURE ASSEMBLY



ITEM	CPN	QTY	DESCRIPTION	ITEM	CPN	QTY	DESCRIPTION
A	36877579	1	FENDER				
B	22261390	1	PANEL , LEFT SIDE				
C	36923183	1	DOOR				
D	36923175	1	HINGE , DOOR				
E	22245047	1	FRAME ASSEMBLY				
F	22132096	1	PANEL , FRONT END				
G	36923233	1	SUPPORT , END PANEL				
H	22253470	1	SHIELD , HEAT				
J	22257216	1	PANEL , REAR END				
K	36887701	1	REFLECTOR , TRIANGLE				
L	22261382	1	PANEL , RIGHT SIDE				
M	36923167	1	PANEL , TOP				
N	95923298	1	NUT				
P	36772028	1	WASHER , NYLON				
Q	35607837	1	SPRING				
R	95935029	1	WASHER				
S	35607829	1	EYEBOLT				
T	22283865	1	3" PLASTIC NPT PLUG				

MANUAL NO.—DRAWING NO. DATE / REV:  
22149124 14 6/03 B

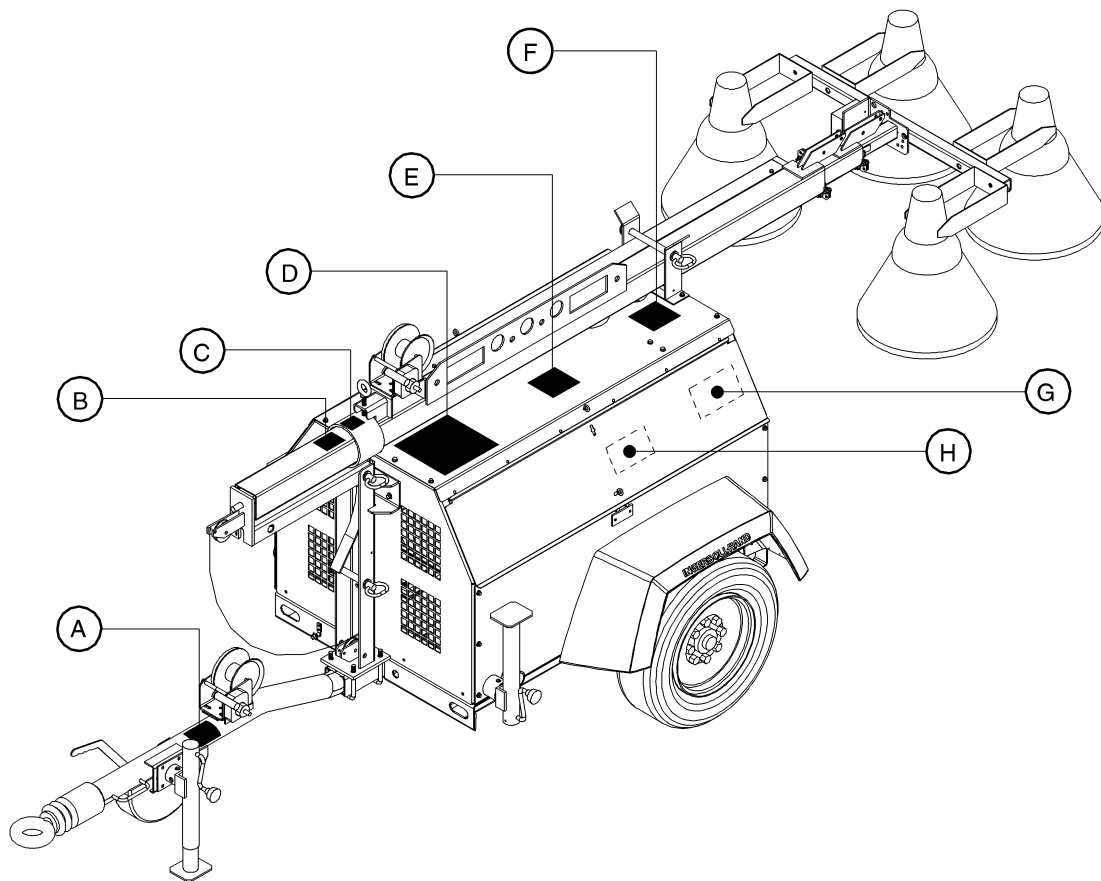
DECAL LOCATION



ITEM	CPN	QTY	DESCRIPTION	ITEM	CPN	QTY	DESCRIPTION
A	54568753	1	DECAL , COMBUSTIBLE GAS				
B	54604905	1	DECAL , 3-PART WARNING				
C	54630033	1	DECAL , OPERATING INSTRUCTIONS				
D	54605027	1	DECAL , HAZARDOUS VOLTAGE				
E	54369806	1	DECAL , ENGINE WIRING				
F	22144760	1	DECAL , GENERATOR WIRING				
G	36524353	1	DECAL , TOWER STOP				
H	54604962	1	DECAL , COOLANT FILL				
J	54568787	1	DECAL , IMPROPER GROUNDING				
	36069193		DECAL KIT COMPLETE				



DECAL LOCATION



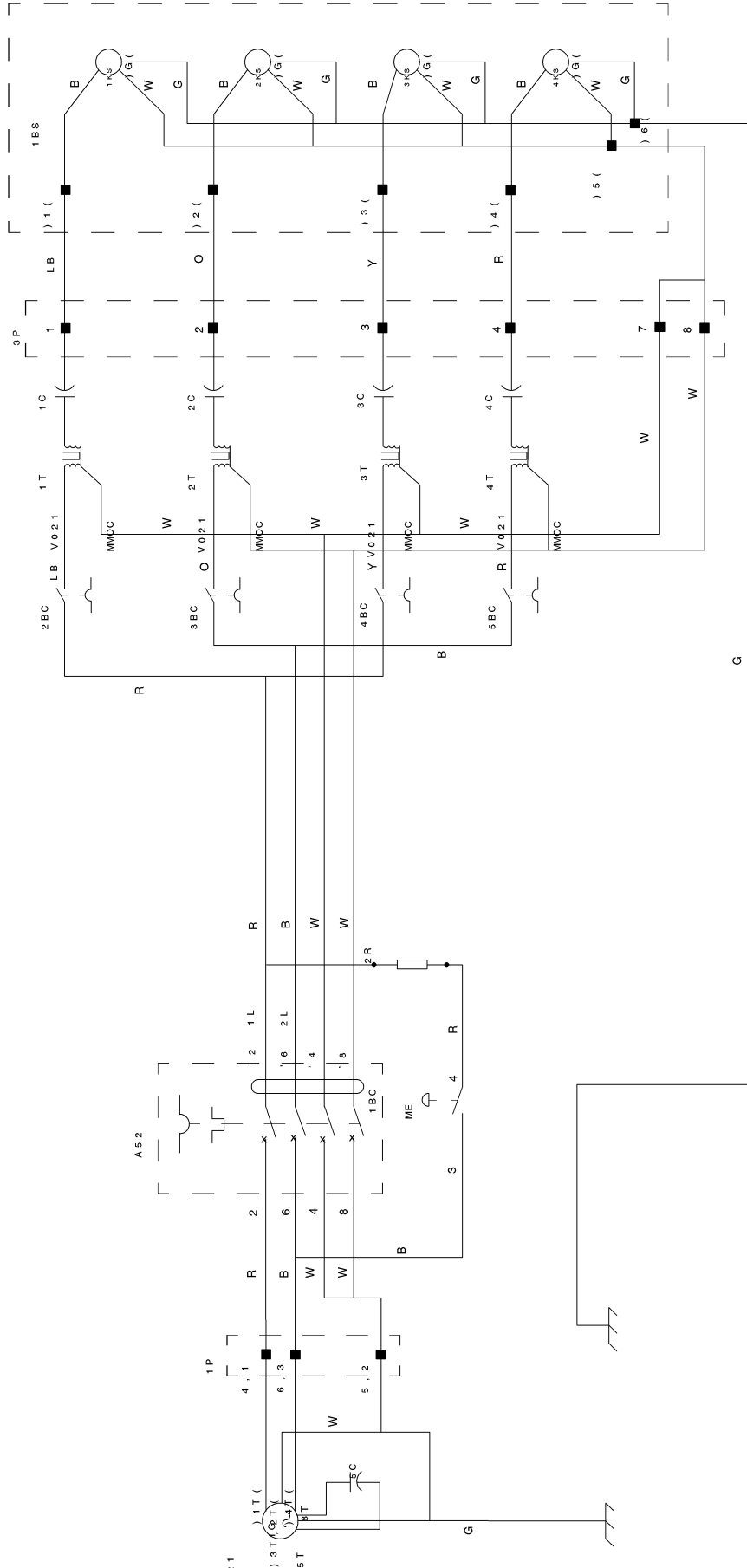
ITEM	CPN	QTY	DESCRIPTION	ITEM	CPN	QTY	DESCRIPTION
A	54568803	1	DECAL , COLLAPSING JACKSTAND				
B	54604947	1	DECAL , ULTRA VIOLET				
C	36524304	1	DECAL , TOWER ALIGN				
D	36531564	1	DECAL , TOWER OPERATING				
E	36529824	1	DECAL , LIFTING INSTRUCTIONS				
F	54568761	1	DECAL , HOT FLUID				
G	54568779	1	DECAL , ROTATING FAN				
H	54625207	1	DECAL , DIESEL FUEL				
			36069193 DECAL KIT COMPLETE				



GENERATOR WIRING DIAGRAM

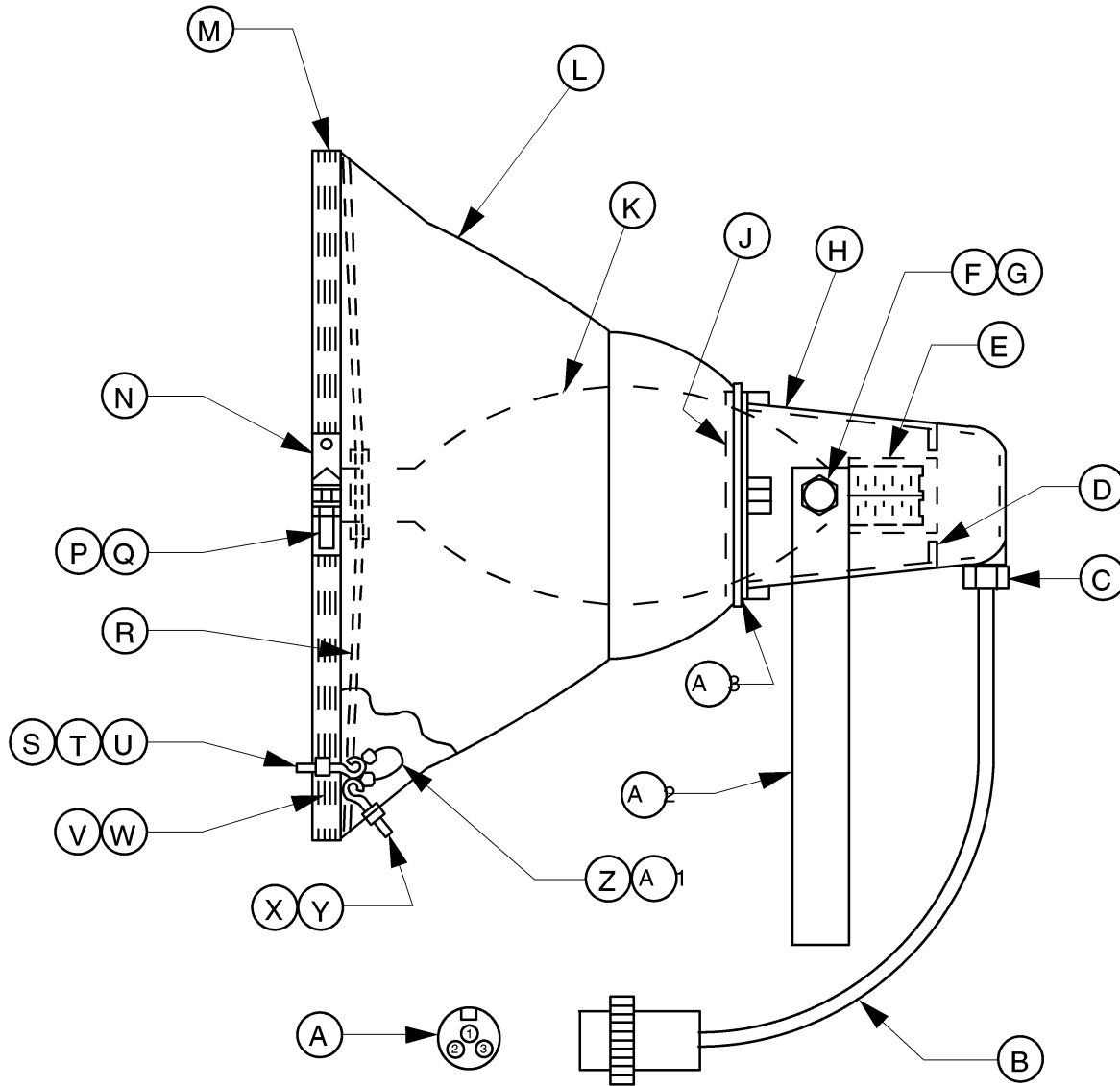
YEK  
 / REKAERB UCRBC  
 EC I VEERRUGUD I SER  
 HCT I WS / REKAERB UCRBC - 2 BC  
 ROT I CAPASAL I MARI C  
 ROT I CAP ROTAREBEG  
 NOTTUBHSBOTYNEGRBBE

ROTAREBEG  
 RETS I SERBET  
 ) STHG I KVVBLTUBKCS  
 ) STHG I IJELTUBKCSKS  
 REMPROF SNAERB AL I MARI T



CAI TAMEHCS

OPTICAL / SOCKET ASSEMBLY

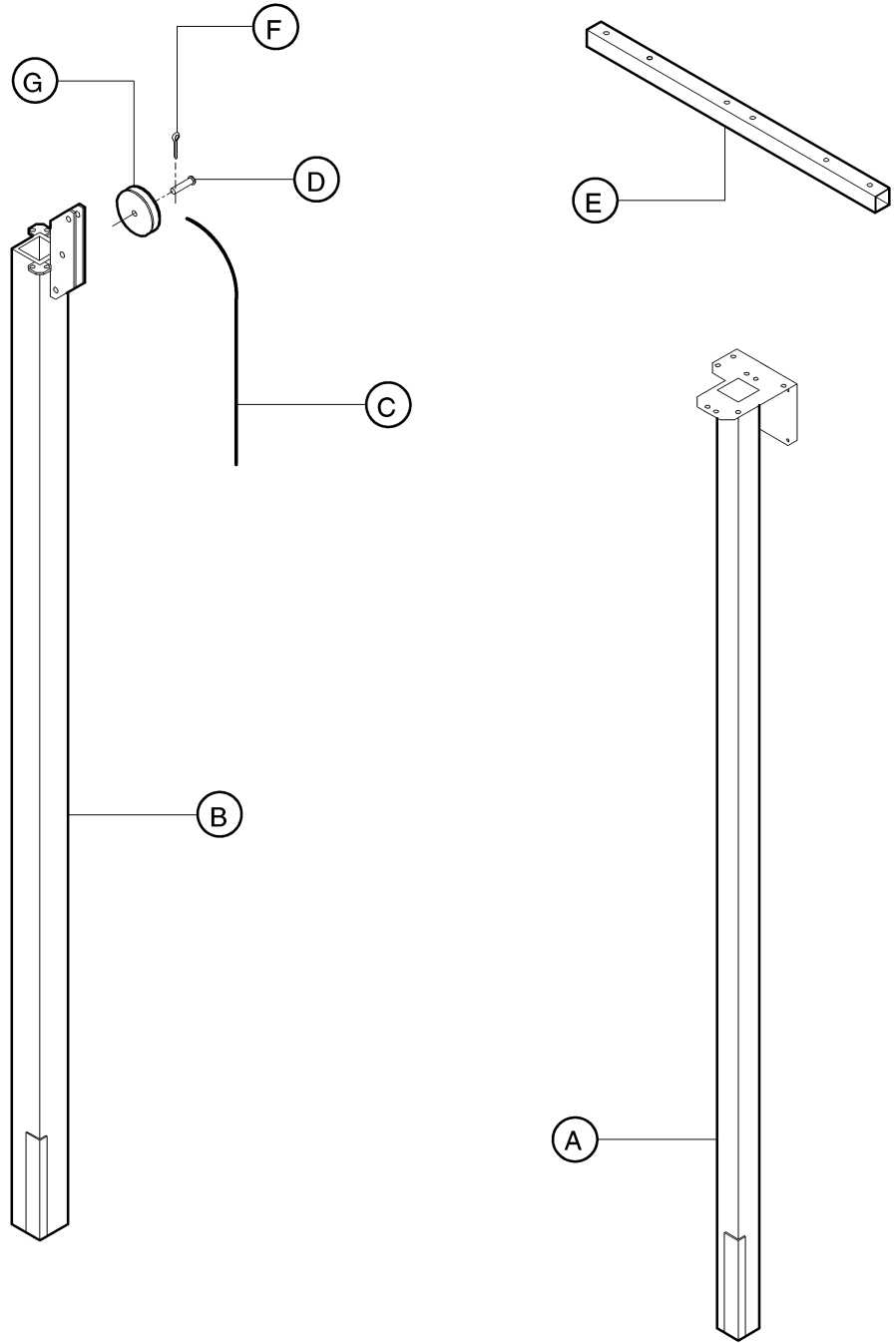


ITEM	CPN	QTY	DESCRIPTION	ITEM	CPN	QTY	DESCRIPTION
A			FACE VIEW OF MALE PLUG	V	36885309	1	GASKET
B	36885481	1	CORD WITH PLUG	W	36885317	1	LENS
C	36885424	1	RELIEF , STRAIN	X	36885390	2	LOCKNUT
D	36885416	1	BRACKET	Y	36885408	2	EYEBOLT
E	36885358	1	SOCKET	Z	36885333	1	CABLE , LENS SUPPORT
F	22282594	2	BOLT	A1	36885341	2	CRIMP , CABLE
G	36885465	2	WASHER	A2	36922920	1	TRUNION
H	36885366	1	HOUSING	A3	36885325	1	GASKET
J	36885374	1	RING		22282586	1	OPTICAL ASSEMBLY
K	36847747	1	LAMP , 1000W METAL HALIDE				
L	36885275	1	REFLECTOR				
M	36885291	1	RING , RETAINING				
N	36885432	2	LENS "L" BRACKET				
P	BOLT ( FURNISHED WITH LIGHT )						
Q	NUT ( FURNISHED WITH LIGHT )						
R	36885473	1	SUPPORT , LAMP				
S	36885382	1	SLEEVE , INSERT				
T	36885390	4	LOCKNUT				
U	36885408	2	EYEBOLT				

MANUAL NO.—DRAWING NO. DATE / REV:  
22149124 19 6/03 B



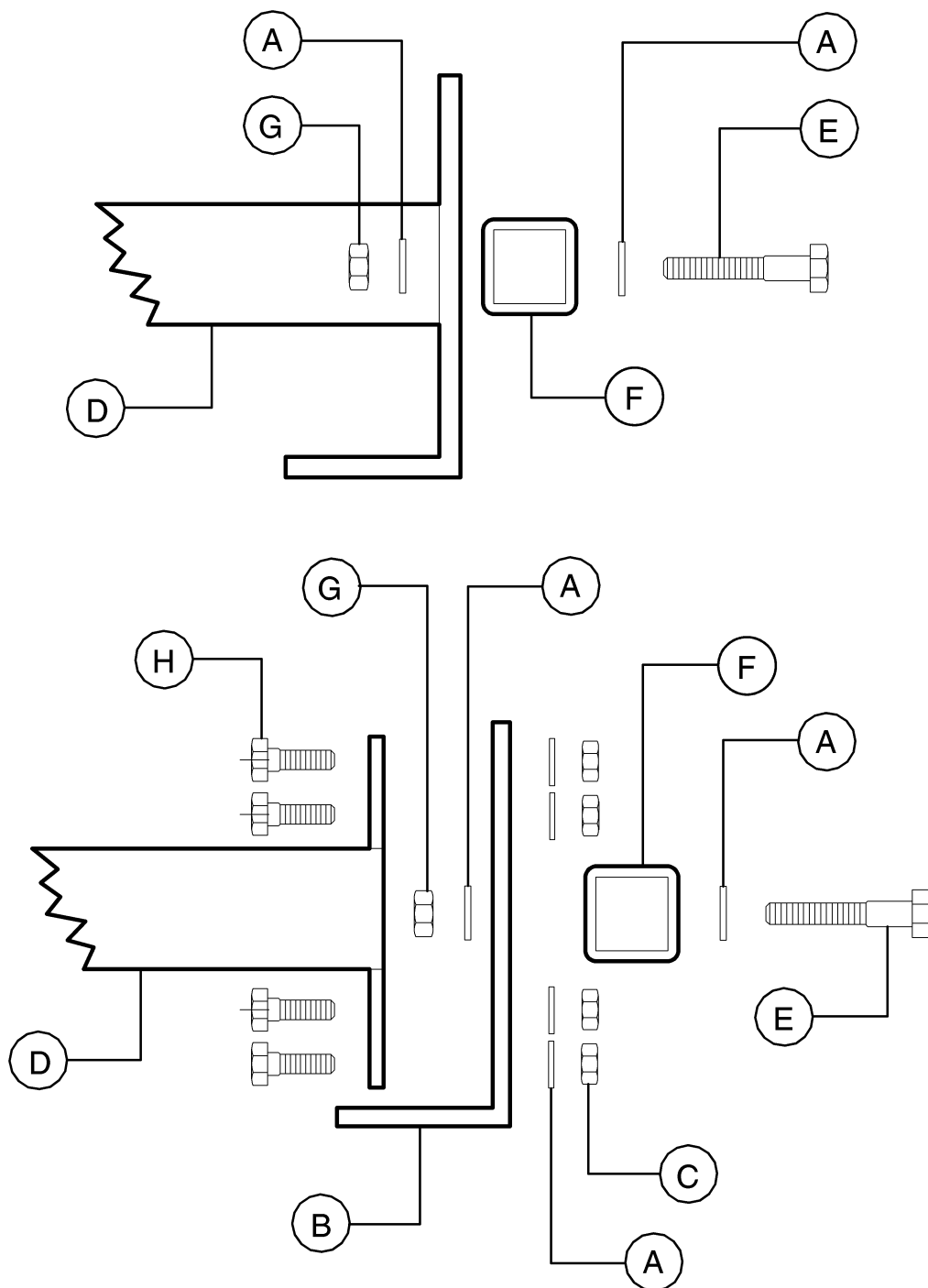
TOWER ASSEMBLY



ITEM	CPN	QTY	DESCRIPTION	ITEM	CPN	QTY	DESCRIPTION
A	22284111	1	TUBE , TOP ( OPTION )	J	22284079	2	SLIDE
B	22284087	1	TUBE , MIDDLE	K	36769743	4	NUT
C	36876225	1	CABLE	L	95934998	4	WASHER
D	36783868	1	PIN	M	35374834	4	SCREW
E	22284103	1	BAR , CROSS	N	54370754	1	L-BOLT
F	95928867	1	PIN , COTTER				
G	36783009	1	PULLEY				

MANUAL NO.—DRAWING NO. DATE / REV:  
22149124 21 6/03 B

CROSS-BAR TO TOWER MOUNTING



ITEM	CPN	QTY	DESCRIPTION	ITEM	CPN	QTY	DESCRIPTION
A	95935011	12	WASHER				
B			LIGHT BAR BRACKET				
C	36769743	4	NUT				
D			TOWER				
E	95995478	4	SCREW				
F			LIGHT BAR				
G	95923363	4	NUT				
H	35374834	4	SCREW				

MANUAL NO.—DRAWING NO. DATE / REV:  
22149124 22 6/03 B

