



# PARTS MANUAL

## LIGHTTOWER

# LIGHTSOURCE 50HZ

Code: A



This manual contains important safety information.

Do not destroy this manual.

This manual must be available to the personnel who operate and maintain this machine.

Utility Equipment  
P.O. Box 868 - 501 Sanford Ave  
Mocksville, N.C. 27028  
[www.irutilityequipment.com](http://www.irutilityequipment.com)

Book 22930028 Revision A (07/06)  
**Revised (01-13)**

*Doosan purchased Bobcat Company from Ingersoll-Rand Company in 2007. Any reference to Ingersoll-Rand Company or use of trademarks, service marks, logos, or other proprietary identifying marks belonging to Ingersoll-Rand Company in this manual is historical or nominative in nature, and is not meant to suggest a current affiliation between Ingersoll-Rand Company and Doosan Company or the products of either.*



# TABLE OF CONTENTS

## Parts Book

TITLE	PAGE
<b>Parts Ordering</b>	
General .....	4
Description .....	4
Fasteners .....	4
How to Order .....	4
 <b>Parts List</b>	
General Arrangement .....	6
General Arrangement .....	7
Drawbar Assembly .....	8
Drawbar Assembly .....	9
Drawbar Assembly .....	10
Running Gear Assembly .....	11
Running Gear Assembly .....	12
Generator and Mounting .....	13
Engine Assembly .....	14
Engine Assembly .....	15
Engine Assembly .....	16
Engine Assembly .....	17
Fuel Tank and Piping .....	18
Fuel Tank and Piping .....	19
Fuel Tank and Piping .....	20
Battery and Mounting .....	21
Instrument / Control Panel Assembly .....	22
Ballast Box Assembly .....	23
Lights and Mounting .....	24
Tower Brackets .....	25
Tower Brackets .....	26
Frame and Enclosure .....	27
Frame and Enclosure .....	28
Decal Location .....	29
Decal Location .....	30
Decal Location .....	31
Decal Location .....	32
Wiring Diagram .....	33
Wiring Diagram .....	34
Optical / Socket Assembly .....	35
Optical / Socket Assembly .....	36
Optical / Socket Assembly .....	37
Electric Winch Assembly .....	38
Electric Winch Assembly .....	39
Bottom Tower Assembly .....	40
Bottom Tower Assembly .....	41
Middle Tower Assembly .....	42
Top Tower Assembly .....	43
Cable Routing .....	44

## Parts Book

***\*\*Always use Ingersoll-Rand Replacement parts!\*\****



# Parts Ordering

## Parts Ordering

### General

This publication, which contains an illustrated parts breakdown, has been prepared as an aid in locating those parts which may be required in the maintenance of the unit. Always insist on genuine Ingersoll-Rand Company parts for your compressor.

## NOTICE

**Ingersoll-Rand Company can bear no responsibility for injury or damages resulting directly from the use of non-approved repair parts.**

Ingersoll-Rand Company service facilities and parts are available worldwide. Consult local yellow pages or visit: [www.portablepower.irco.com](http://www.portablepower.irco.com).

Special order parts may not be included in this manual. Contact the Mocksville Parts Department with the unit serial number for assistance with these special parts.

### Description

The illustrated parts breakdown illustrates and lists the various assemblies, subassemblies and detailed parts which make up this particular machine. This covers the standard models and the more popular options that are available.

In referring to the rear, the front or to either side of the unit, always consider the **drawbar end** of the unit as the **front**. Standing at the rear of the unit facing the drawbar (front) will determine the right and left sides.

### Fasteners

Both SAE/inch and ISO/metric hardware have been used in the design and assembly of these units. In the disassembly and reassembly of parts, extreme care must be taken to avoid damaging threads by the use of wrong fasteners.

### How to Order

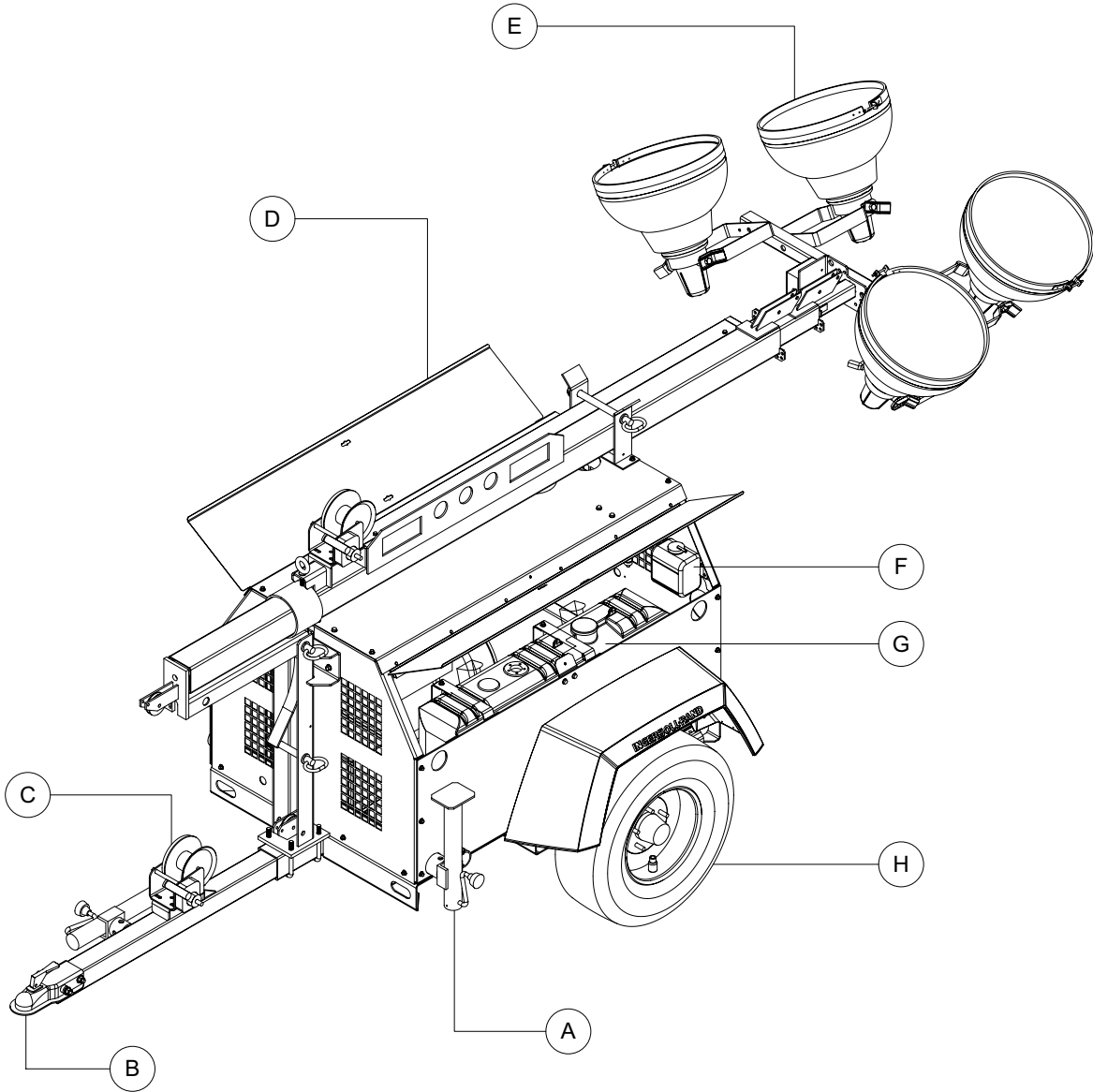
Always specify the model and serial number of the unit.

Specify the part number and description.

# Parts List



# General Arrangement

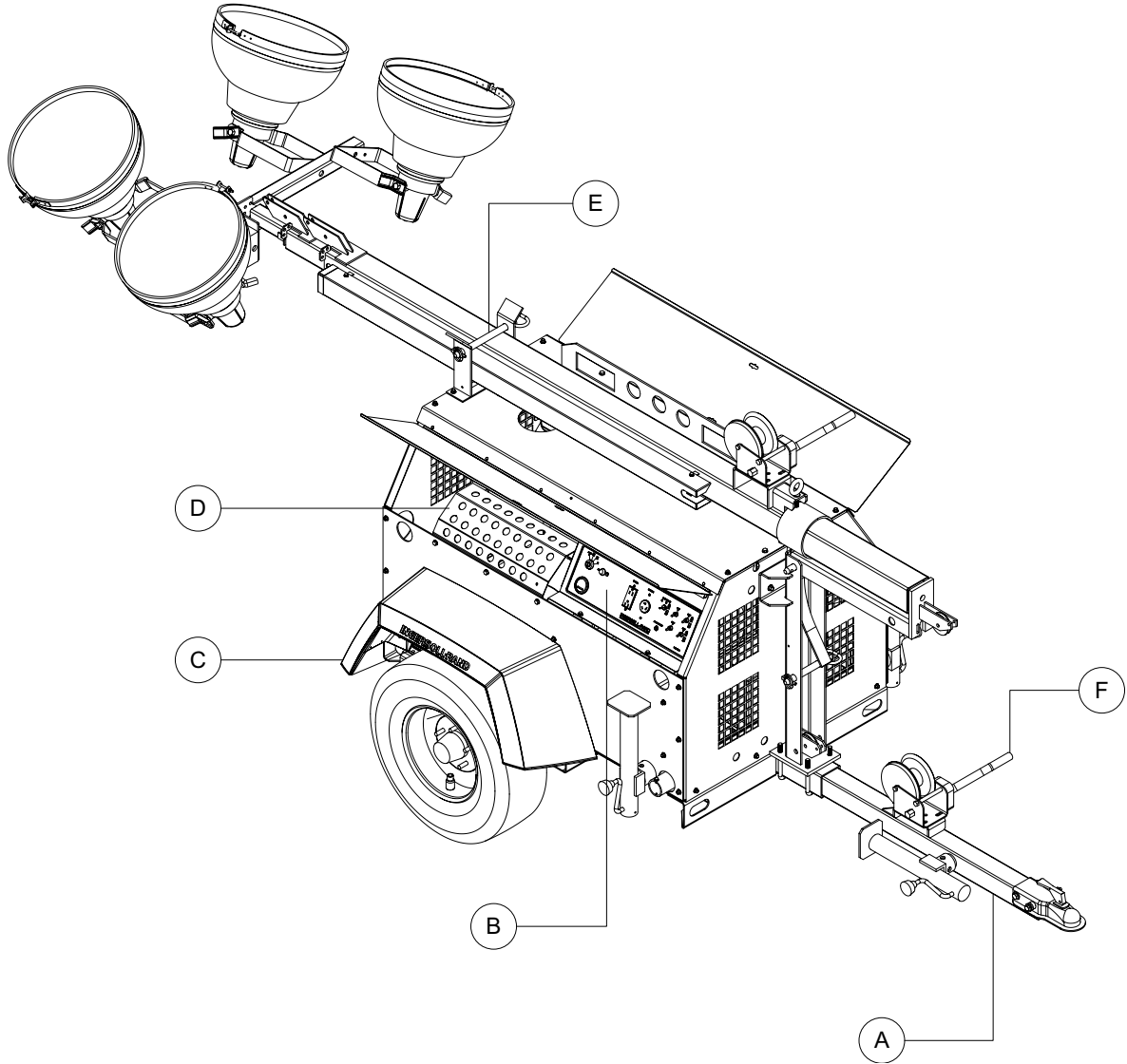


22902458\_006\_05/06\_A

ITEM	COMM. NO.	DESCRIPTION	QTY	DIMENSIONS/NOTES
A	36923407	Jack, Stabilizer	2	2"
B	36923290	Coupler	1	
C	36923654	Winch	1	
D	36923183	Door	2	
E	22501217	Optical Assembly	4	
F	36884948	Bottle, Coolant	1	
G	36881100	Tank, Fuel	1	
H	36073542	Tire & Wheel Assembly	2	



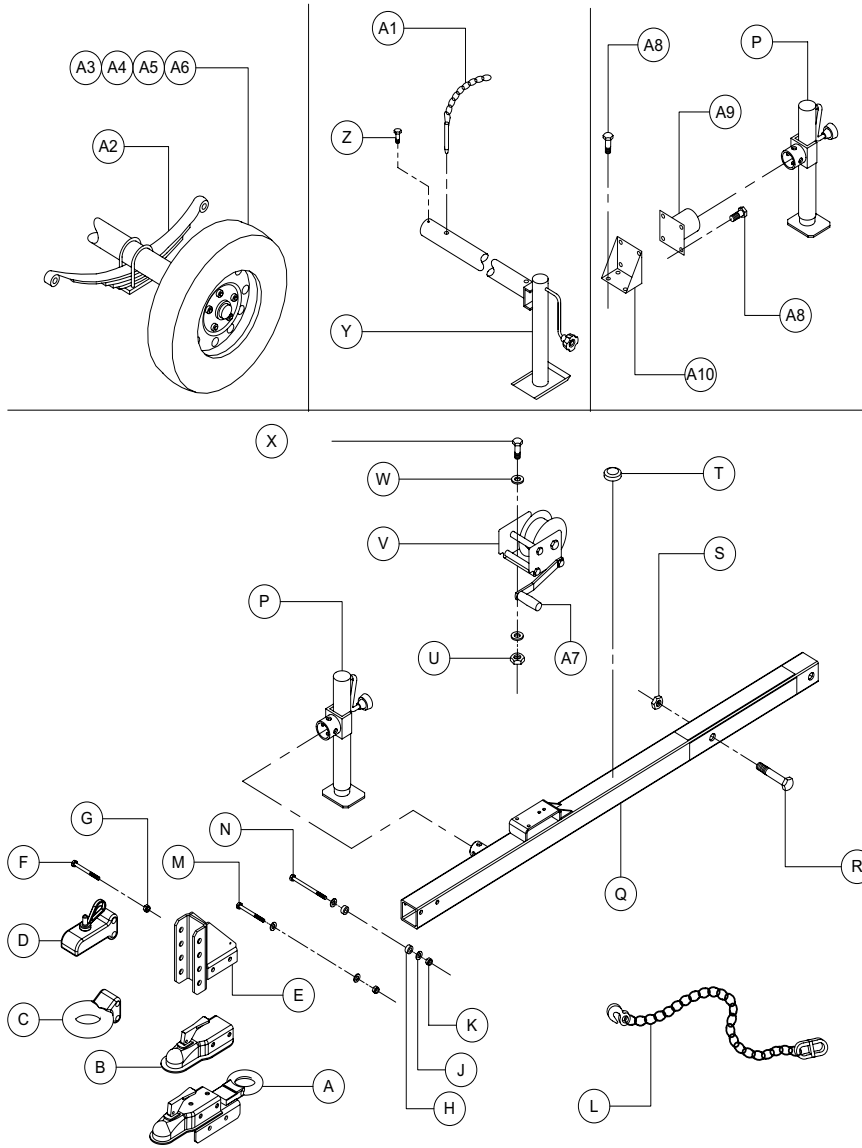
# General Arrangement



22902458\_007\_05/06\_A

ITEM	COMM. NO.	DESCRIPTION	QTY	DIMENSIONS/NOTES
A	36923266	Drawbar	1	
B	22494850	Decal, Panel	1	
C	36877579	Fender	2	
D	22253470	Shield, Heat	1	
E	36870020	Pin	1	
F	36923662	Handle, Winch		9"

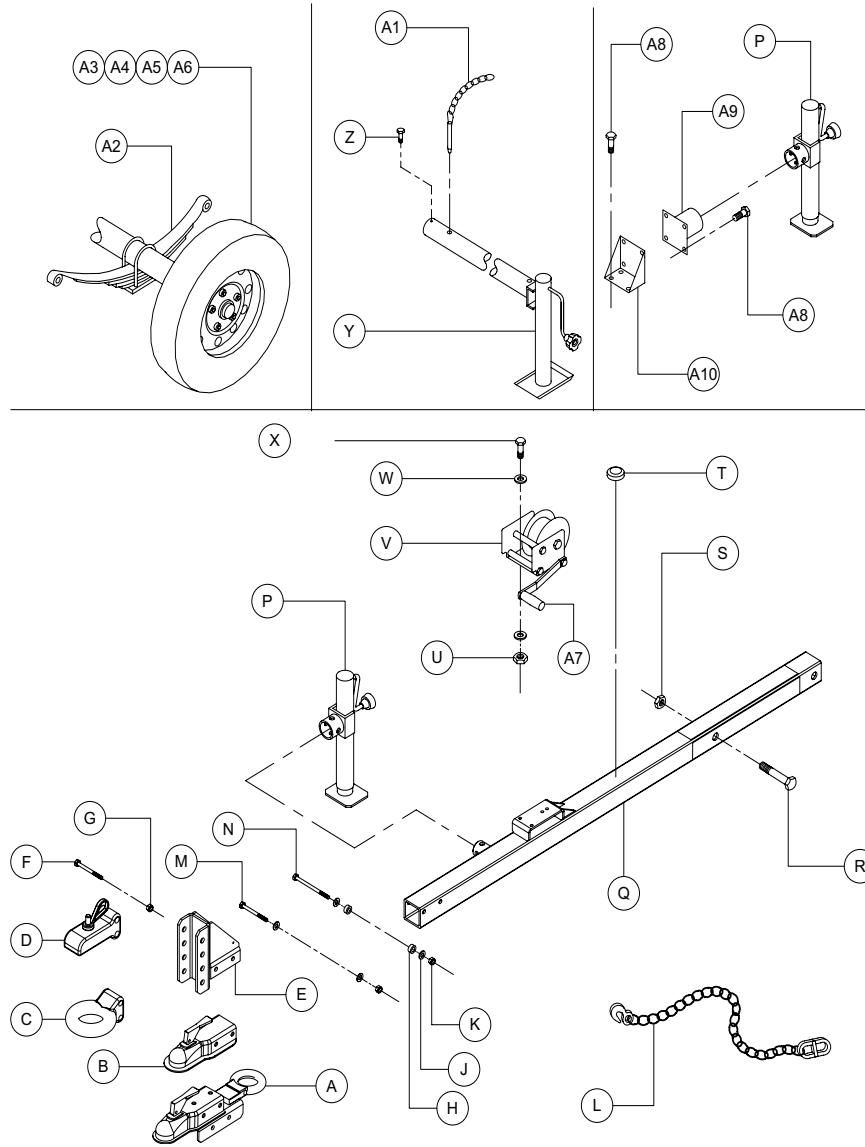
# Drawbar Assembly



22902458\_008\_05/06\_A

ITEM	COMM. NO.	DESCRIPTION	QTY	DIMENSIONS/NOTES
A	54518758	Hitch, Dual, Standard	1	2" Ball, 2.5" Pintle
B	36923290	Coupler	1	2" Ball
C	35605187	Pintle, 3 Position	1	3" Pintle
D	36509073	Coupler, 3 Position	1	2" Ball
	35736094	Coupler, 3 Position	1	2 5/16" Ball
E	54399506	Bracket, Coupler 3 Position	1	
F	35376094	Screw	2	M16 - 2.0 X 120
G	96701750	Nut (2 per Screw)	4	M16 - 2.0
H	36923241	Spacer	2	
J	95935003	Washer	4	
K	35304047	Nut	2	M12 - 1.75
				<b>Continued....</b>

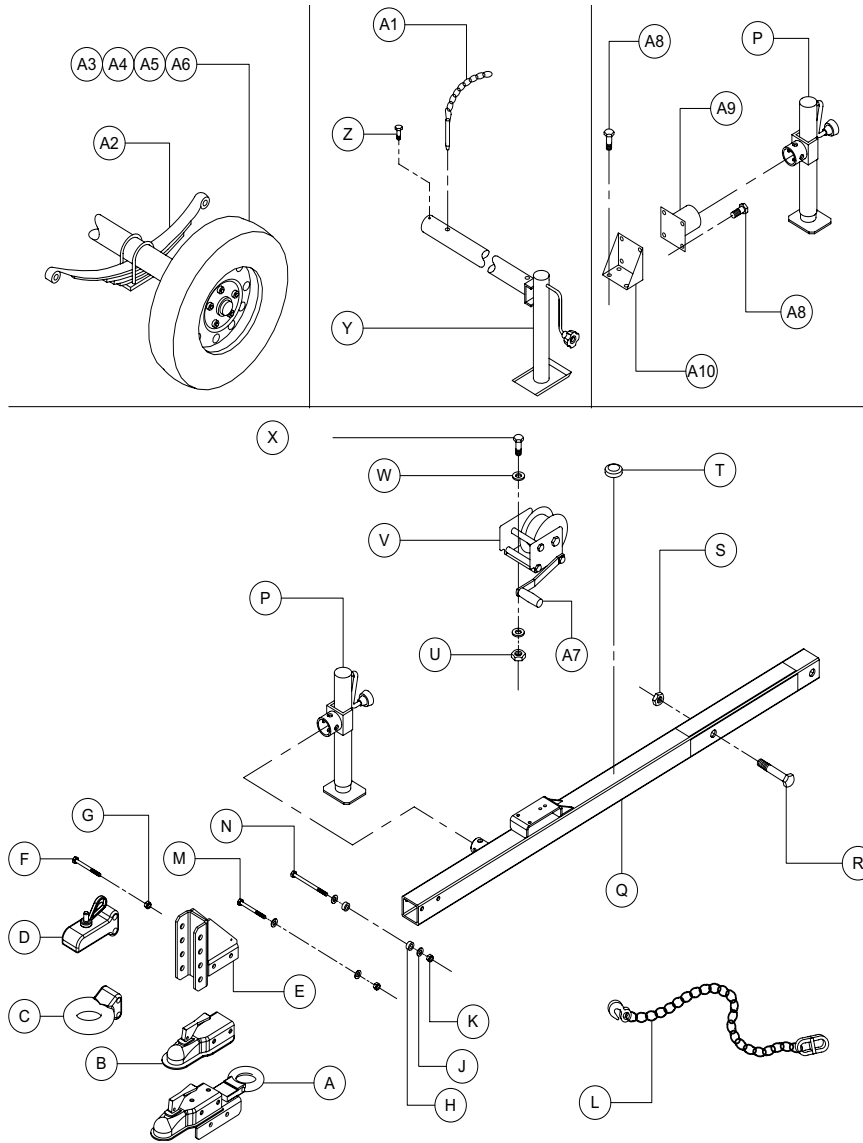
# Drawbar Assembly



22902458\_009\_05/06\_A

ITEM	COMM. NO.	DESCRIPTION	QTY	DIMENSIONS/NOTES
L	22144521	Chain & Hook Assembly	2	..... <i>Continued</i>
M	96721527	Screw	1	M12 - 1.75 X 120
N	96721550	Screw	1	M12 - 1.75 X 160
P	36923415	Jack Assembly	1	
Q	36923266	Drawbar	1	
R	95953998	Screw	1	
S	95935060	Nut	1	
T	36787398	Level	1	
U	36881886	Nut	3	M8 - 1.25
V	36923654	Winch, Manual	1	
W	95934998	Washer	1	
X	36889608	Screw	3	M8 - 1.25 X 25 ..... <i>Continued</i>

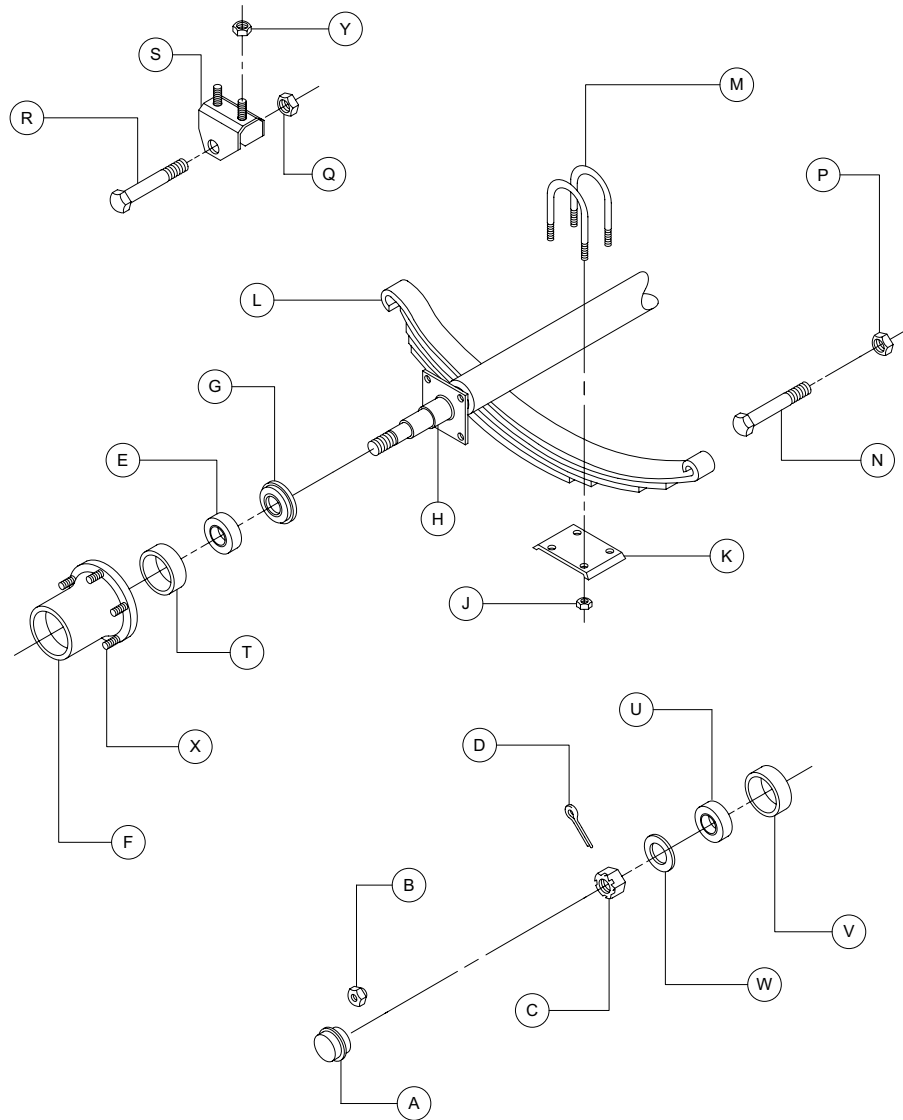
# Drawbar Assembly



22902458\_010\_05/06\_A

ITEM	COMM. NO.	DESCRIPTION	QTY	DIMENSIONS/NOTES
Y	36923407	Outrigger	2	.....Continued
Z	92368687	Screw	2	M6 - 1.0 X 14
A1	36848224	Pin	2	
A2	36923506	Running Gear	1	
A3	36073542	Tire & Wheel Assembly	2	
A4	22246268	Tire	1	
A5	35292986	Wheel	1	
A6	35282565	Stem, Valve	1	
A7	36923662	Handle, Winch	1	9"
A8	35279025	Screw	8	M8 - 1.25 X 20
A9	36796068	Tube, Mounting	1	
A10	22382949	Bracket, Support	1	

## Running Gear Assembly

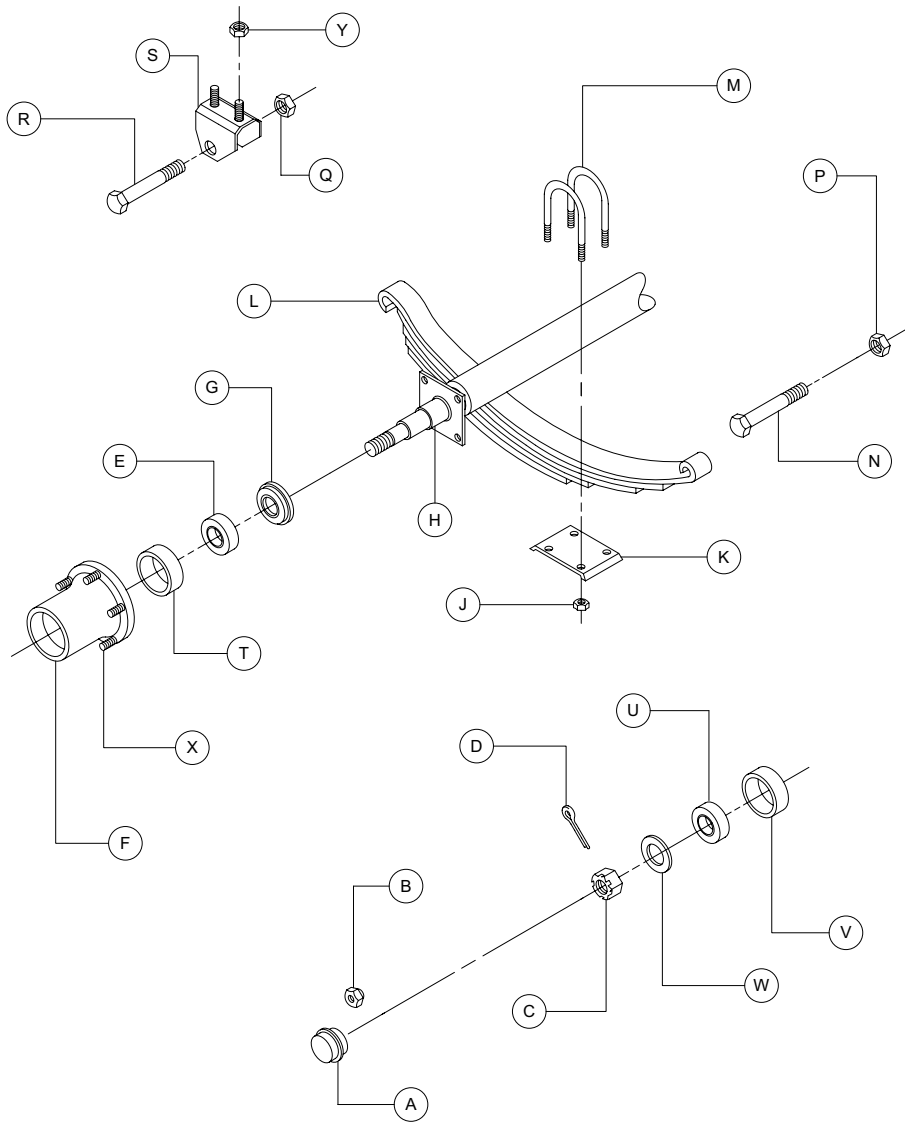


22902458\_011\_05/06\_A

ITEM	COMM. NO.	DESCRIPTION	QTY	DIMENSIONS/NOTES
A	35315233	Cap	2	
B	35315274	Nut	10	
C	35315217	Nut, Spindle	2	
D	35315225	Pin, Cotter	2	
E	35361864	Bearing, Inner	2	
F	35361880	Hub Assembly	2	
G	35315142	Seal, Grease	2	
H	35393974	Beam, Axle	1	
J	35392158	Nut, U-Bolt	8	
K	35315241	Plate, Tie	2	
L	35392083	Spring, Slipper	2	
M	35315118	U-Bolt	4	

**Continued.....**

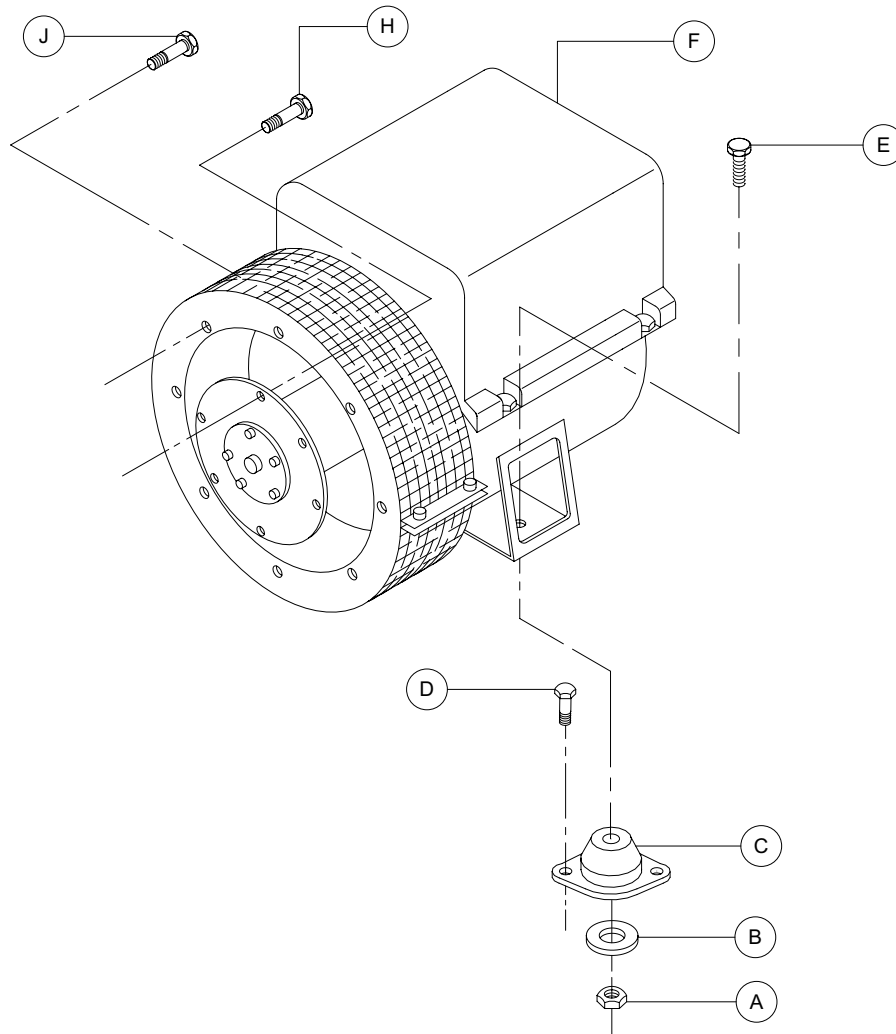
## Running Gear Assembly



22902458\_012\_05/06\_A

ITEM	COMM. NO.	DESCRIPTION	QTY	DIMENSIONS/NOTES
N	35315340	Bolt, Shackle	2	<b>.....Continued</b>
P	35315357	Nut, Top Lock	2	
Q	35315373	Nut, Keeper	2	
R	35315365	Bolt, Keeper	2	
S	54379441	Hanger, Rear	2	
T	35361872	Cup, Bearing	2	
U	35315191	Bearing, Outer	2	
V	35315183	Cup, Bearing	2	
W	35315209	Washer	2	
X	35361898	Stud	10	
Y	36879203	Nut	4	

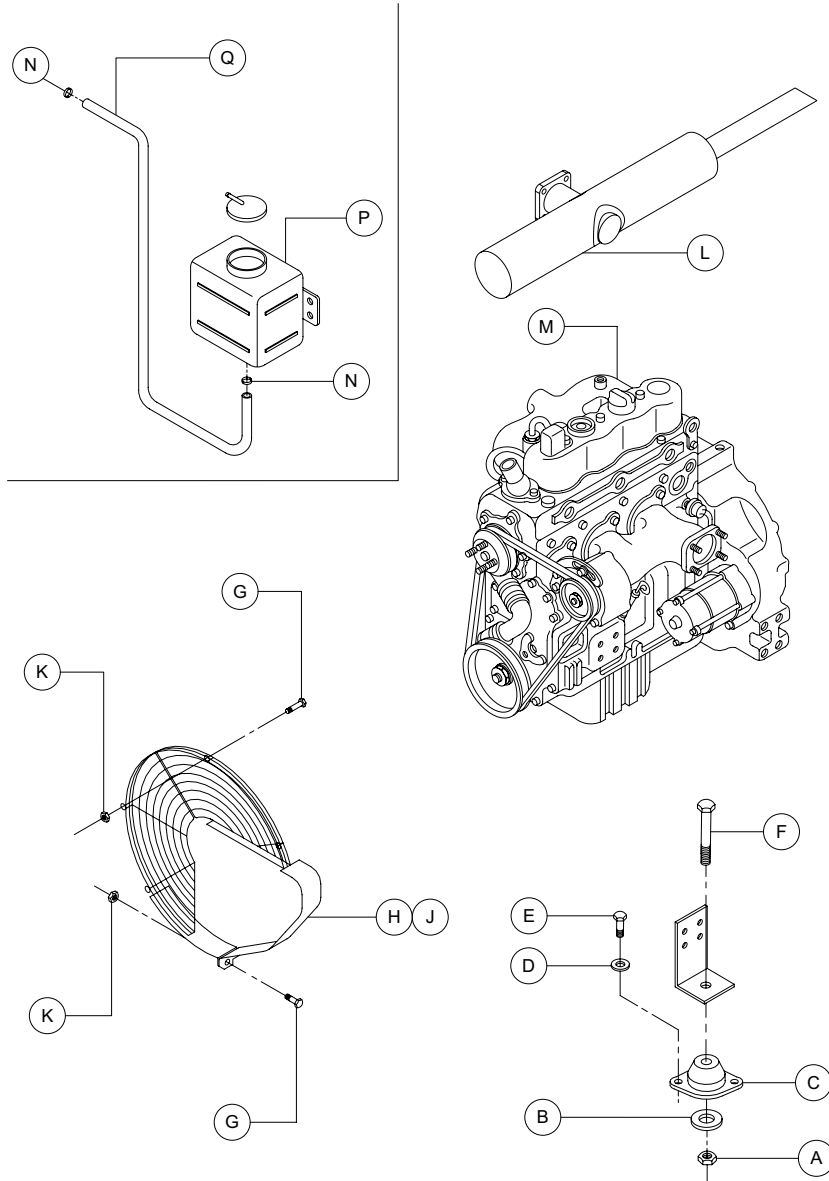
## Generator and Mounting



22902458\_013\_05/06\_A

ITEM	COMM. NO.	DESCRIPTION	QTY	DIMENSIONS/NOTES
A	35273366	Nut	2	
B	36899037	Washer	2	
C	36875565	Isolator, 250 lb	2	
D	35279025	Screw	4	M8 - 1.25 X 20
E	96730411	Screw	2	
F	43214345	Generator	1	7KW-50Hz
G	22515753	Relief, Strain	1	
H	95067864	Screw	6	
J	95920674	Screw	8	
	36883478	Parts Not Illustrated Capacitor	1	

# Engine Assembly

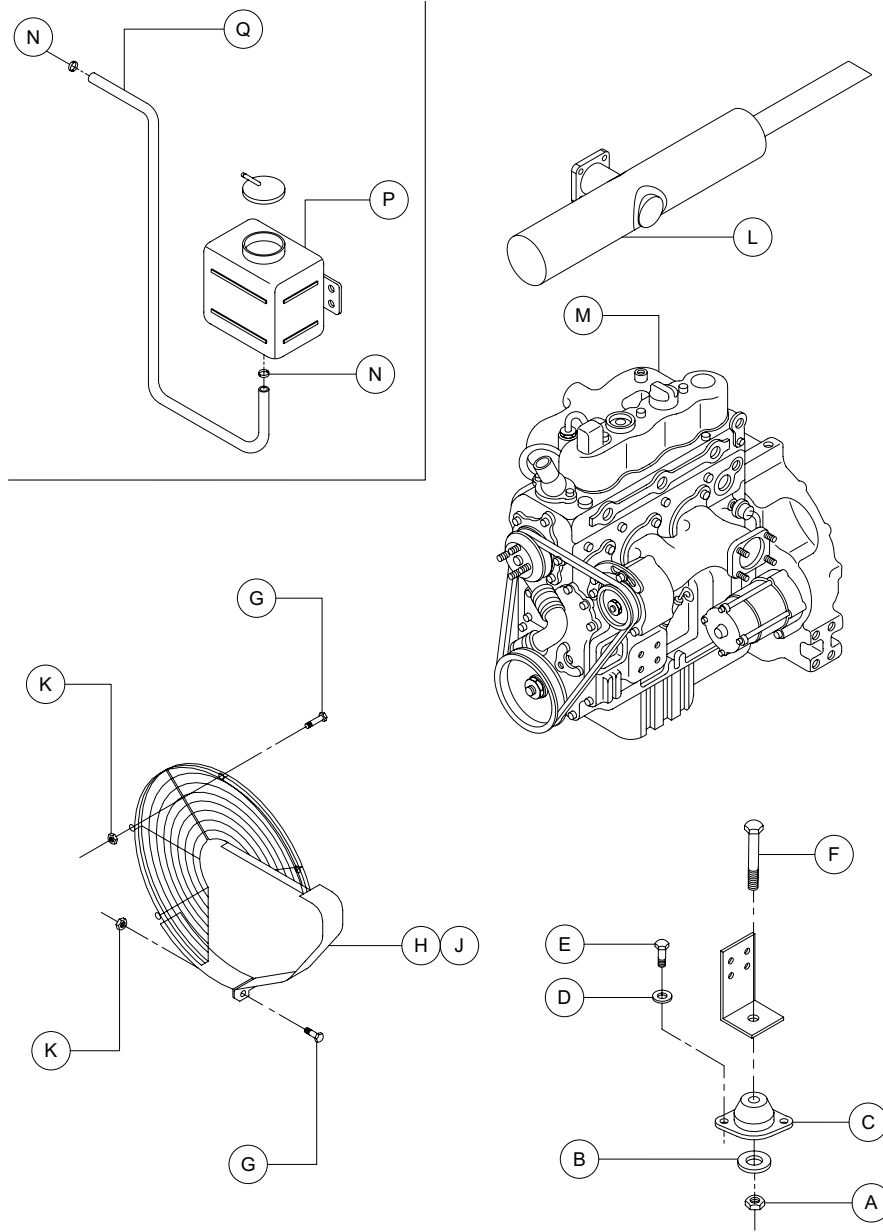


22902458\_014\_05/06\_A

ITEM	COMM. NO.	DESCRIPTION	QTY	DIMENSIONS/NOTES
A	35273366	Nut	2	M10 X 1.5
B	36899037	Washer	2	
C	36875565	Isolator, 250 lb	2	
D	95934998	Washer	4	
E	35279025	Screw	4	M8 - 1.25 X 20
F	96730411	Screw	2	M10 - 1.50 X 60
G	36898096	Screw	5	M6 X 20
H	36868727	Guard, Fan	1	
J	36871614	Bracket, Mounting	1	
K	36898104	Nut	5	M6 - 1.0
L	22258446	Muffler	1	
				<b>Continued.....</b>



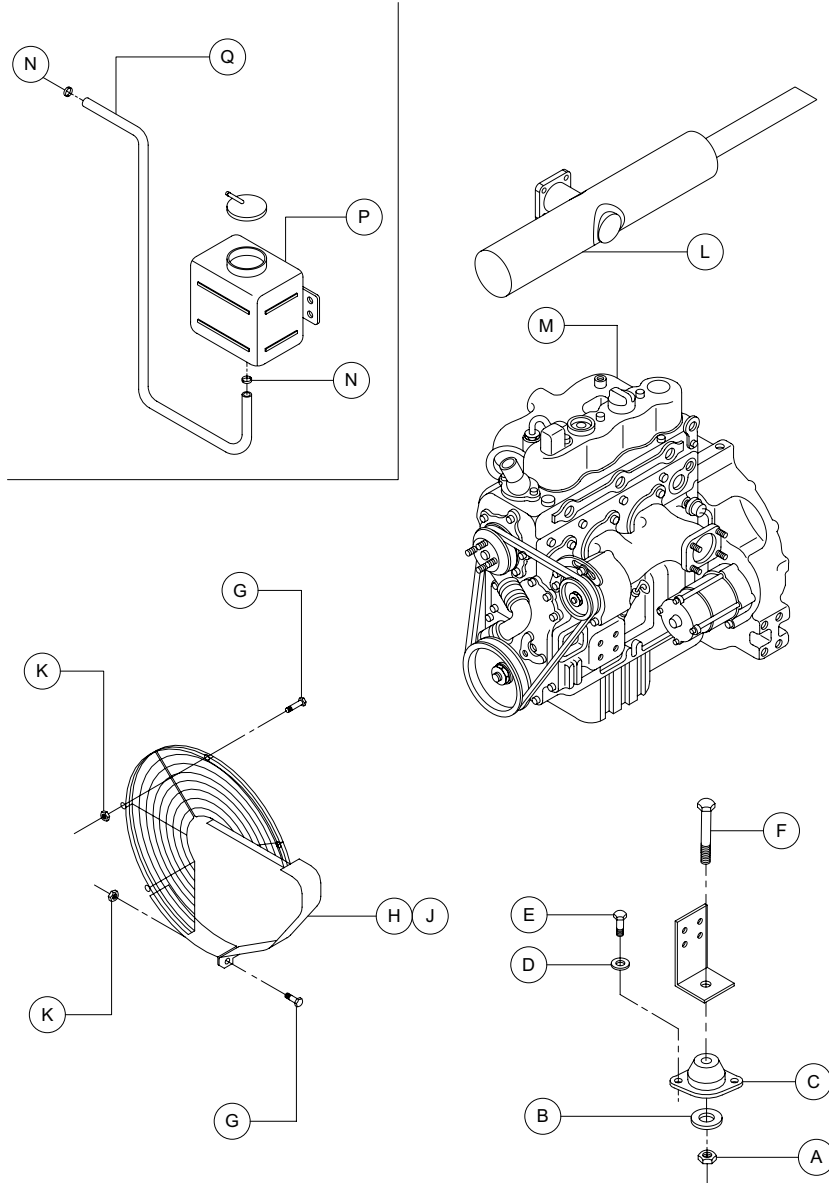
# Engine Assembly



22902458\_015\_05/06\_A

ITEM	COMM. NO.	DESCRIPTION	QTY	DIMENSIONS/NOTES
M	22574495	Engine, Kubota	1	.....Continued  27"  Continued.....
N	35296342	Clamp	2	
P	36884948	Bottle, Coolant	1	
Q	35363498	Hose, From Radiator		

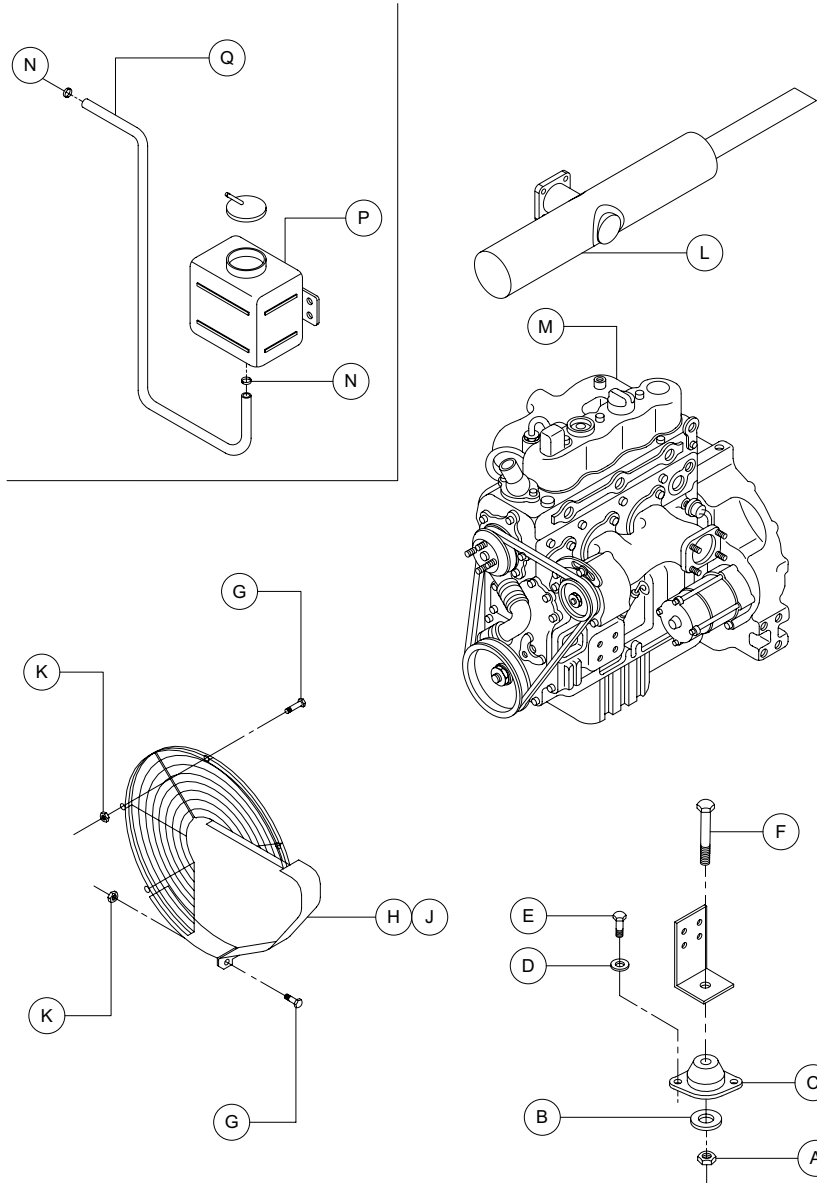
# Engine Assembly



22902458\_016\_05/06\_A

ITEM	COMM. NO.	DESCRIPTION	QTY	DIMENSIONS/NOTES
		Parts Not Illustrated		..... <i>Continued</i>
	36870574	Filter, Engine Oil		
	36870566	Filter, Engine Fuel		
	36890135	Filter, Engine Air		
	36878379	Switch		12 PSI
	36868479	Switch, Water Temp.		
	36861656	Relay		80 AMP
	44004539	Kit, Solenoid		
	36878197	Gasket, Solenoid		
				<b><i>Continued.....</i></b>

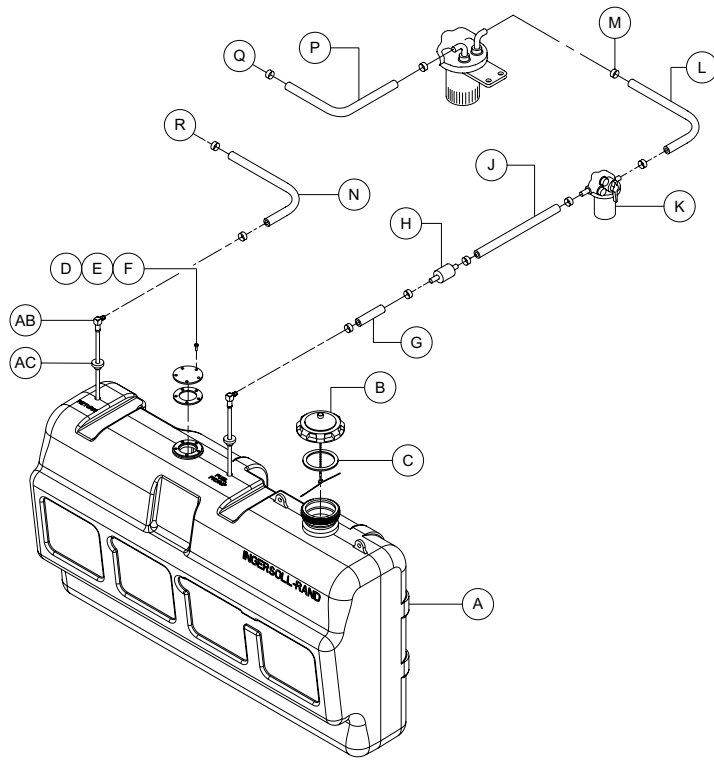
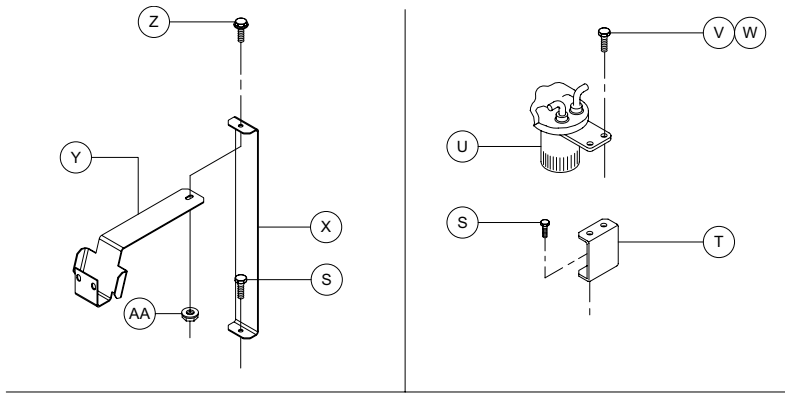
# Engine Assembly



22902458\_017\_05/06\_A

ITEM	COMM. NO.	DESCRIPTION	QTY	DIMENSIONS/NOTES
		Parts Not Illustrated		.....Continued
	36888170	Alternator		
	36888501	Engine Fan		
	36888477	Radiator Bottom Hose		
	36888485	Hose Clamp		
	36888493	Fan Belt		
	36888188	Starter		
	36888451	Radiator		
	36888469	Radiator Top Hose		

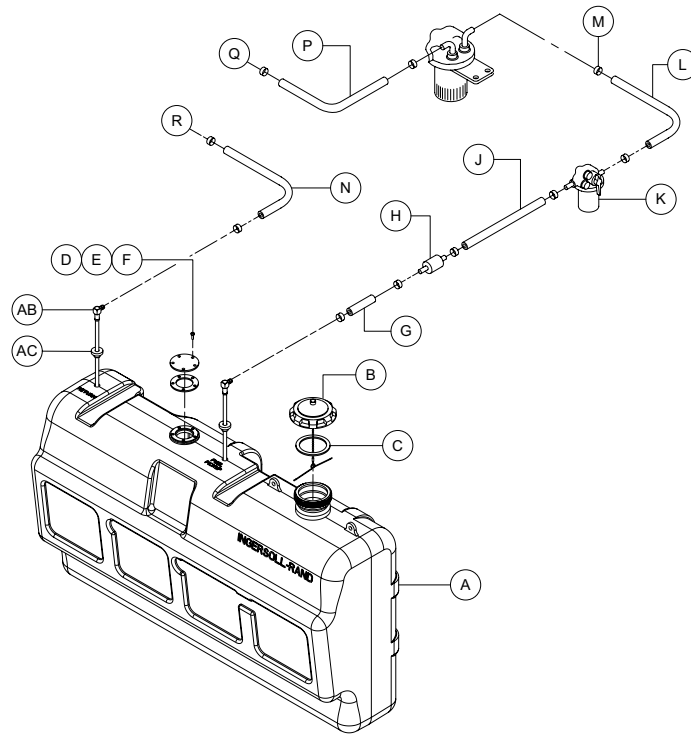
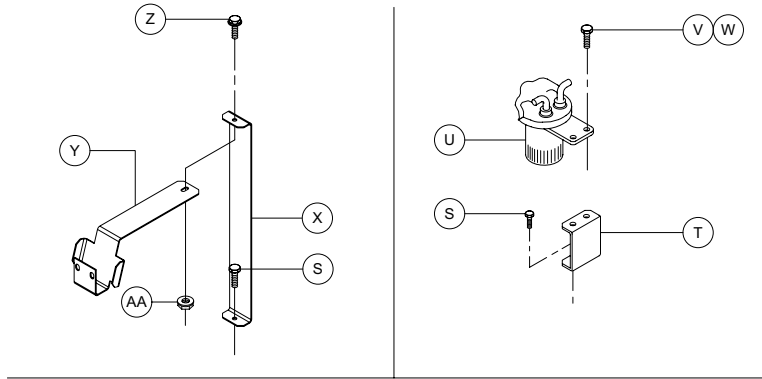
## Fuel Tank and Piping



22902458\_018\_05/06\_A

ITEM	COMM. NO.	DESCRIPTION	QTY	DIMENSIONS/NOTES
A	36881100	Tank, Fuel	1	
B	36885564	Cap, Fuel Tank	1	
C	35388511	Gasket	1	
D	95916532	Screw	5	
E	36792828	Cover	1	
F	35361849	Gasket	1	
G	35363498	Hose	1	4"
H	36845493	Filter, Inline	1	
J	35363498	Hose	1	23"
K		Engine Lift Pump (Part of Engine)		
				<b>Continued.....</b>

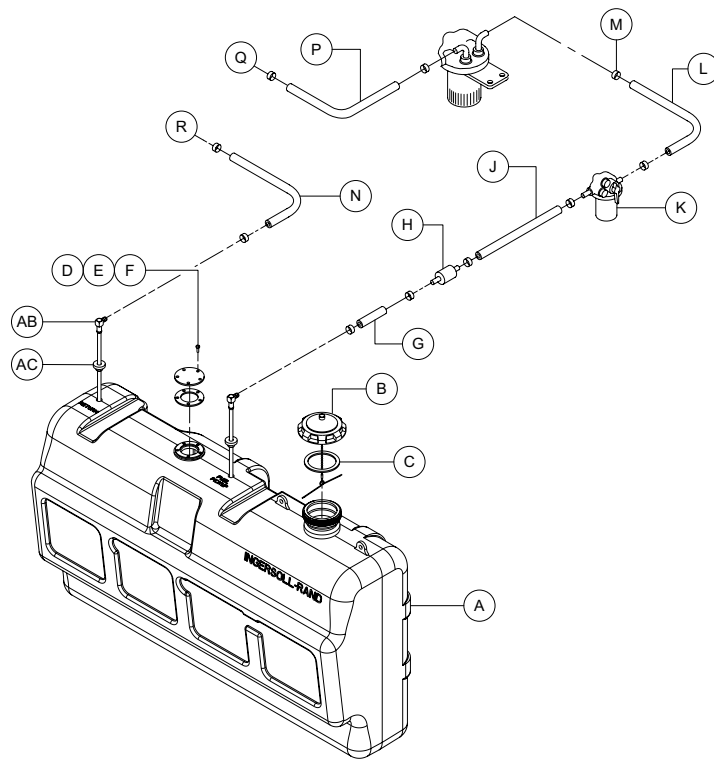
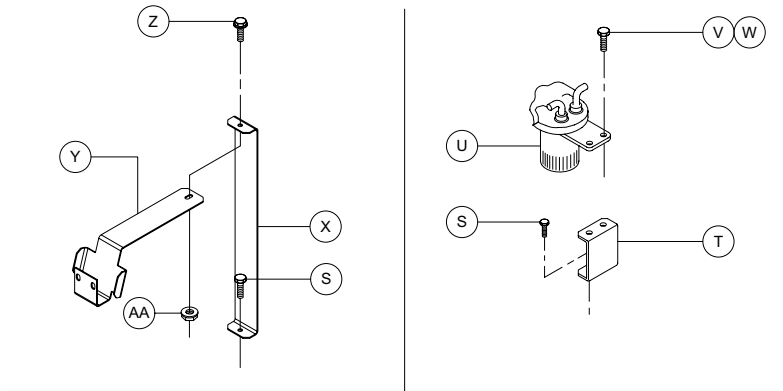
## Fuel Tank and Piping



22902458\_019\_05/06\_A

ITEM	COMM. NO.	DESCRIPTION	QTY	DIMENSIONS/NOTES
				<b>.....Continued</b>
L	35363498	Hose	1	30"
M	35296342	Clamp	10	
N	35282078	Hose	1	24"
P	35363498	Hose	1	30"
Q		To Engine		
R		From Engine Return		
S	35279025	Screw	4	M8 - 1.25 X 20
T	36923274	Bracket, Filter	1	
U	36870566	Filter, Engine Fuel	1	
V	36889608	Screw	2	M8 - 1.25 X 25
W	36881886	Nut	2	M8 - 1.25
				<b>Continued.....</b>

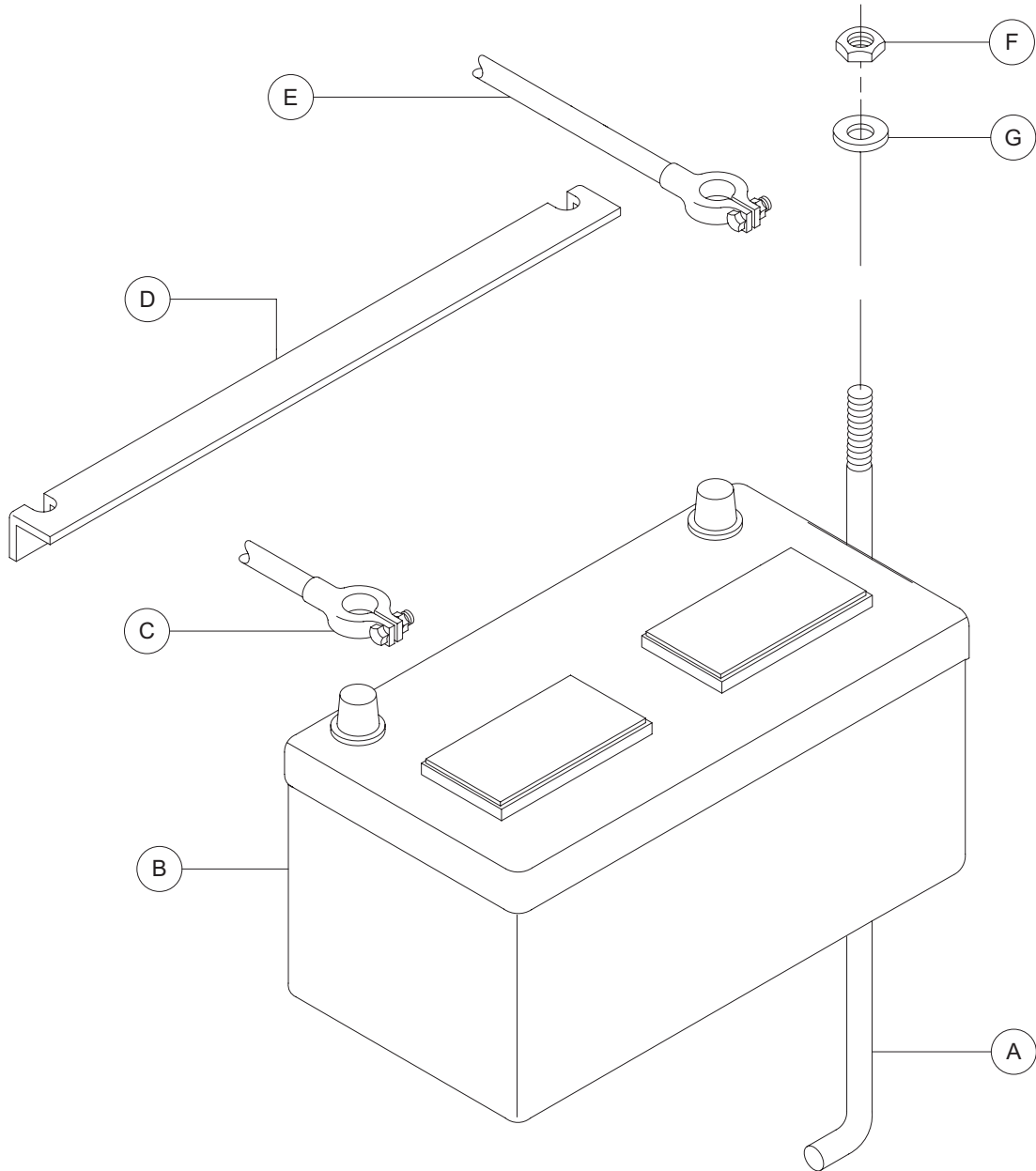
## Fuel Tank and Piping



22902458\_020\_05/06\_A

ITEM	COMM. NO.	DESCRIPTION	QTY	DIMENSIONS/NOTES
X	22262315	Strap, Vertical	1	..... <b>Continued</b>
Y	22260905	Strap, Top	1	
Z	96704408	Screw	1	
AA	36881886	Nut	1	
AB	35392307	Fuel Tank Pipe Assembly	2	
AC	35384577	Bushing	2	
		Parts not Illustrated		
	35384593	Elbow, Barbed		

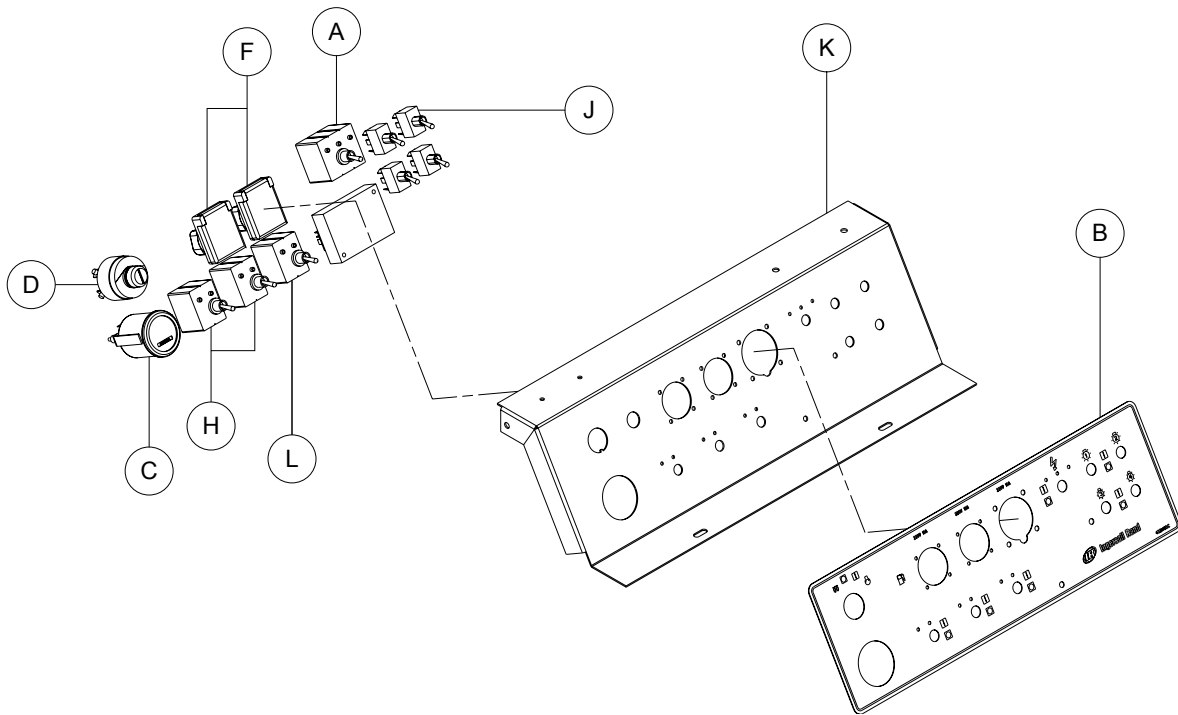
## Battery and Mounting



22902458\_021\_05/06\_A

ITEM	COMM. NO.	DESCRIPTION	QTY	DIMENSIONS/NOTES
A	36923282	J-Bolt	2	
B	22246797	Battery 600CCA	1	12 V
	36073872	Battery 1000CCA (Optional)	1	12V
C	36892685	Cable, Negative	1	37"
D	36853257	Angle	1	
E	35516582	Cable, Positive	1	48"
F	95923298	Nut	2	
G	36853265	Washer, Plastic	2	
H	35578194	Strap, Ground (Not Illustrated)	1	

## Instrument / Control Panel Assembly

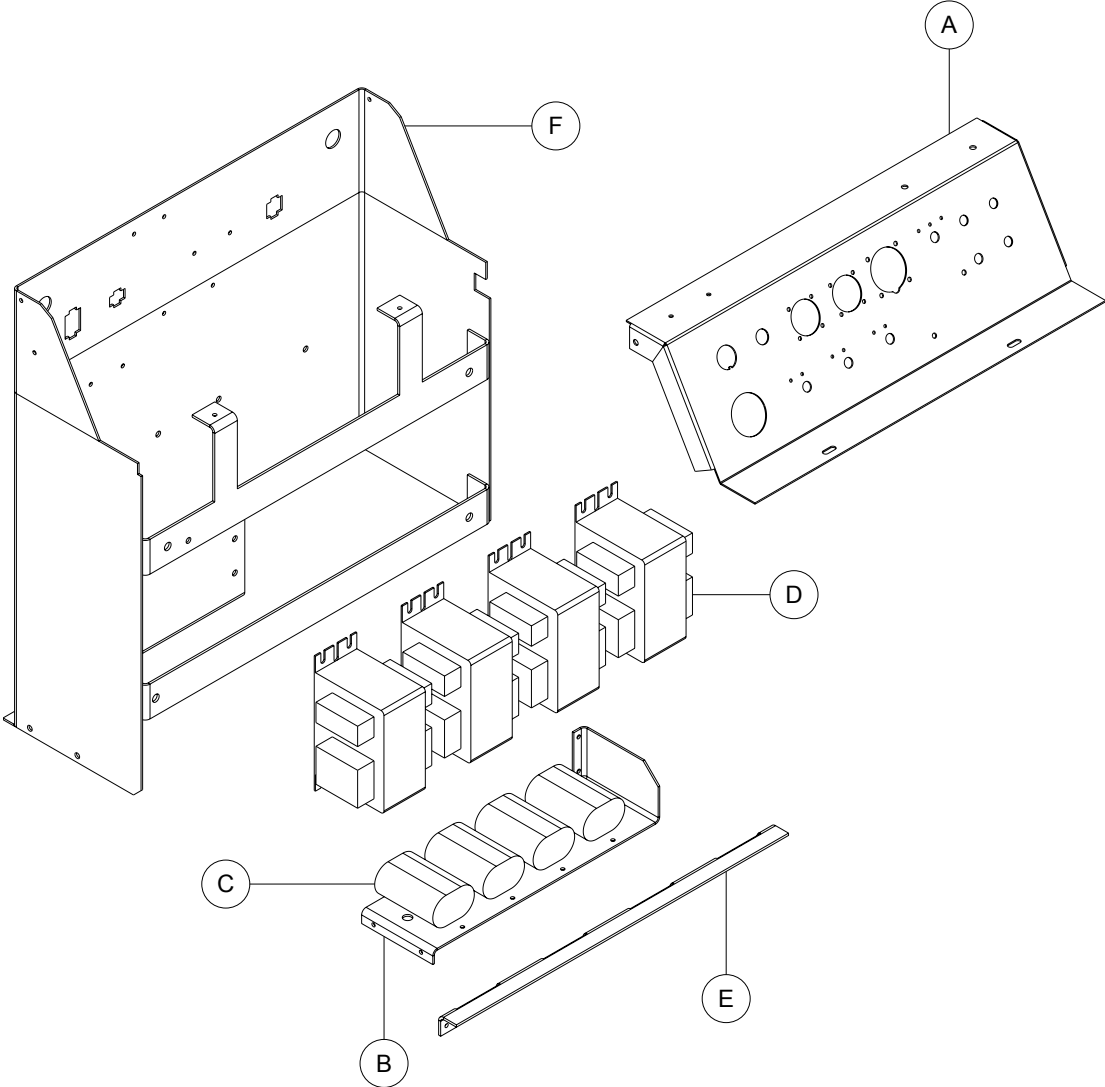


22902458\_022\_05/06\_A

ITEM	COMM. NO.	DESCRIPTION	QTY	DIMENSIONS/NOTES
A	43214303	Breaker, Circuit	1	25 AMP
B	43214113	Decal, Panel	1	
C	36841245	Hourmeter	1	
D	36786457	Switch, Key	1	
	35385533	Key	1	
E	36883825	Light, Low Fuel (Not Shown)	1	
F	43214196	Receptacle, 230V, 10 Amp (German)	2	
	43214493	Receptacle, 230 Volt, 10 Amp (Italian)	2	
G	43214204	Receptacle, 230 Volt, 16 Amp (Not Shown)	1	
H	43214295	Breaker, Circuit	2	10 AMP
J	35337435	Switch, Toggle	4	
K	43214105	Cover, Control Panel	1	
L	43214352	Breaker, Circuit	1	16 Amp



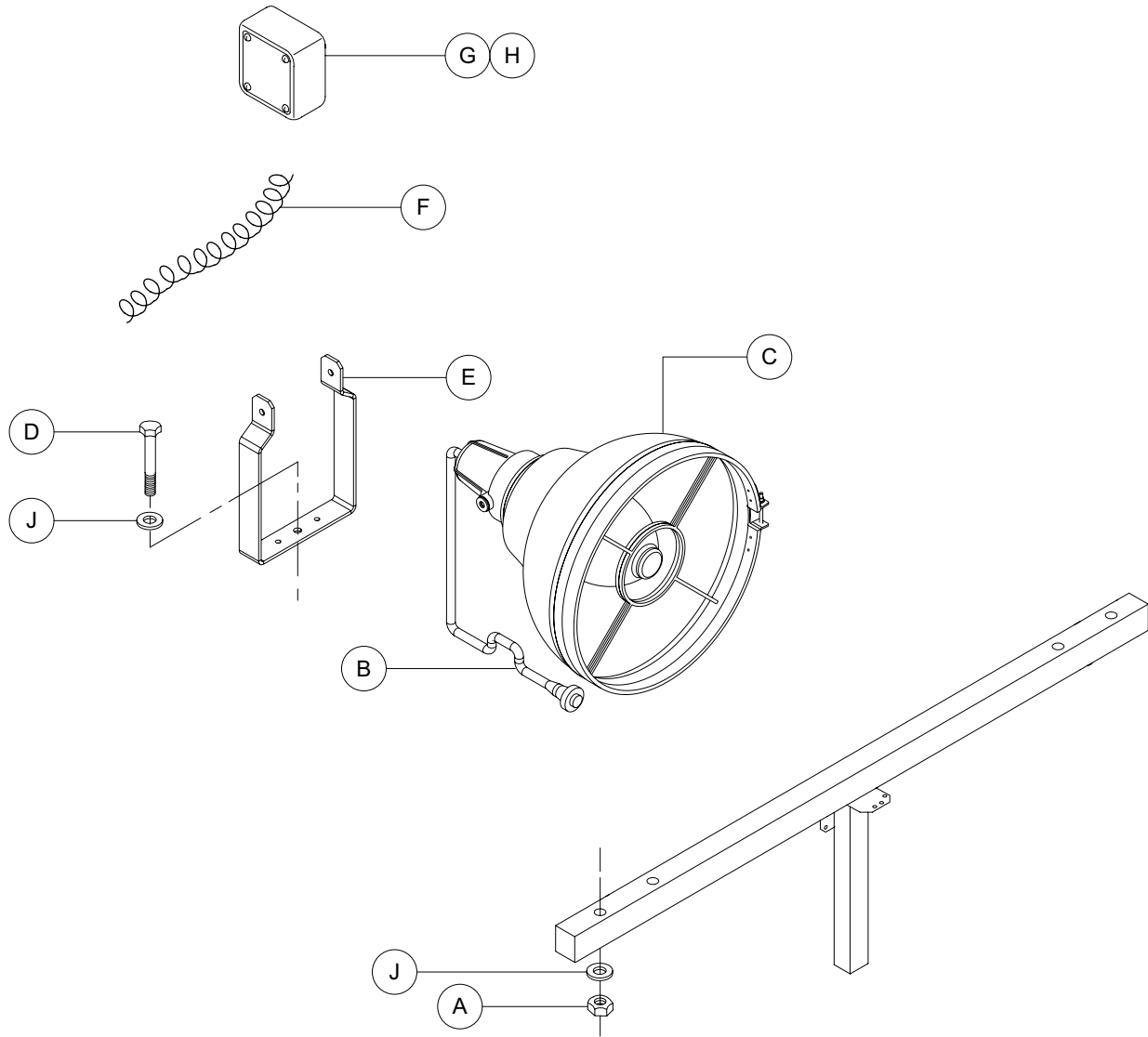
# Ballast Box Assembly



22902458\_023\_05/06\_A

ITEM	COMM. NO.	DESCRIPTION	QTY	DIMENSIONS/NOTES
A	43214105	Cover, Control Panel	1	
B	36923076	Bracket, Capacitor	1	
C	36888683	Capacitor	4	
D	43214097	Ballast	4	
E	36923050	Bracket, Ballast Box	1	
F	36923068	Box, Ballast	1	

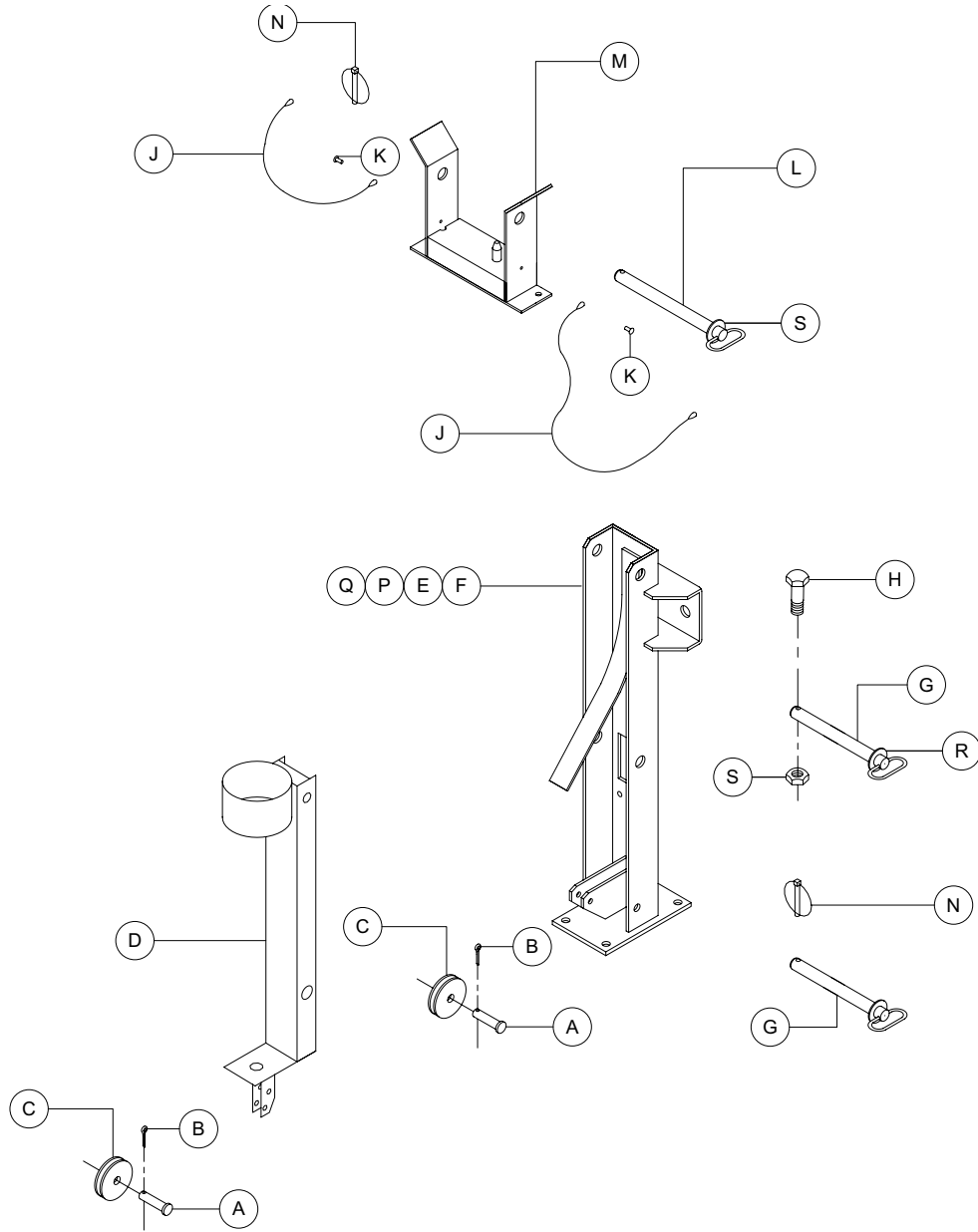
## Lights and Mounting



22902458\_024\_05/06\_A

ITEM	COMM. NO.	DESCRIPTION	QTY	DIMENSIONS/NOTES
A	95923363	Nut	1	
B	36779346	Cord with Plug	4	
C	22501217	Optical Assembly	1	
D	95995478	Screw	4	3/4" - 10 X 4"
E	22515720	Trunnion (Wire to Ballast)	1	
F	54363734	Cord	1	
G	36885838	Box, Junction	1	
H	36885945	Cover	1	
J	95935011	Washer	8	

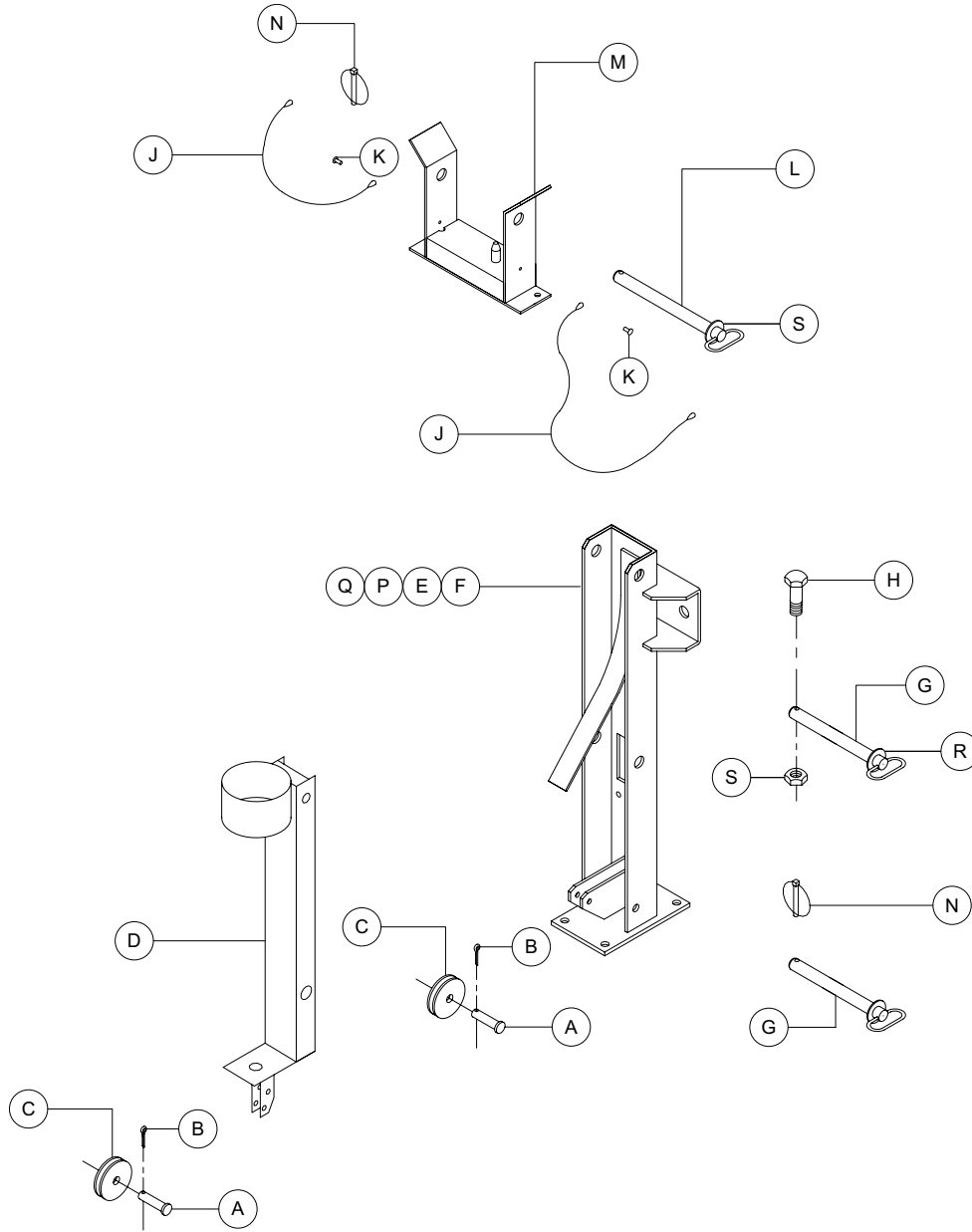
## Tower Brackets



22902458\_025\_05/06\_A

ITEM	COMM. NO.	DESCRIPTION	QTY	DIMENSIONS/NOTES
A	36869246	Pin, Clevis	1	
B	95928867	Pin, Cotter	1	
C	36783009	Pulley	1	
D	36885614	Support, Tower	1	
E	36923258	Support, Tower	1	
F	36885549	Spring, Flat	1	
G	36869253	Pin	1	
H	35271170	Bolt	1	
J	36786218	Cable, Pin	3	
				<b>Continued.....</b>

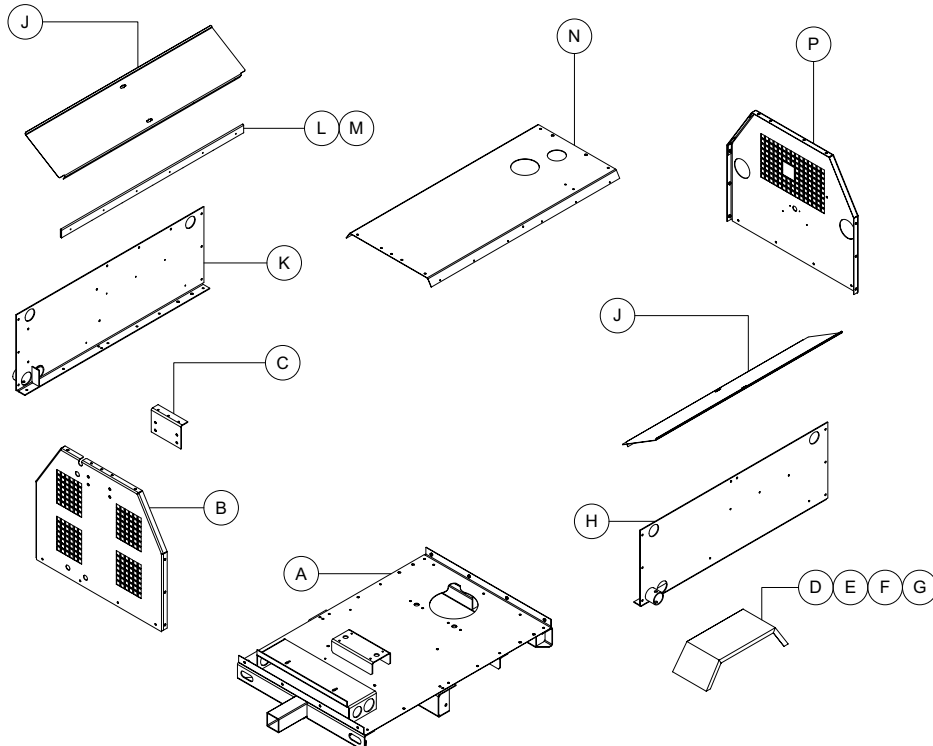
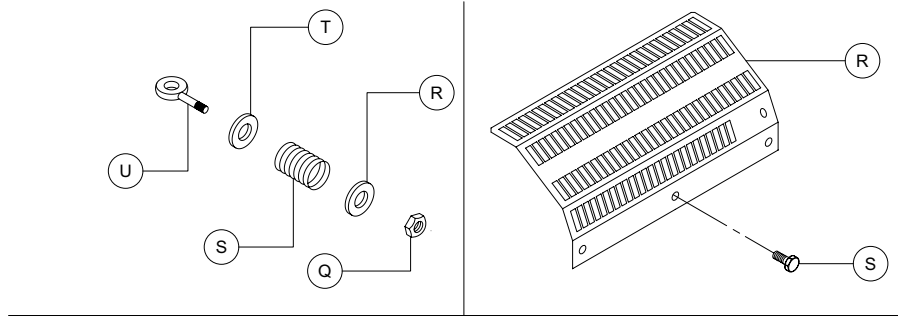
# Tower Brackets



22902458\_026\_05/06\_A

ITEM	COMM. NO.	DESCRIPTION	QTY	DIMENSIONS/NOTES
K	36843282	Rivet	3	<i>.....Continued</i>          M8 - 1.25
L	36870020	Pin	1	
M	36885697	Rest, Tower	1	
N	36794170	Pin, Spring	1	
P	36880995	Screw	2	
Q	36879195	Nut	2	
R	95935011	Washer	1	
S	36881886	Nut	1	

## Frame and Enclosure

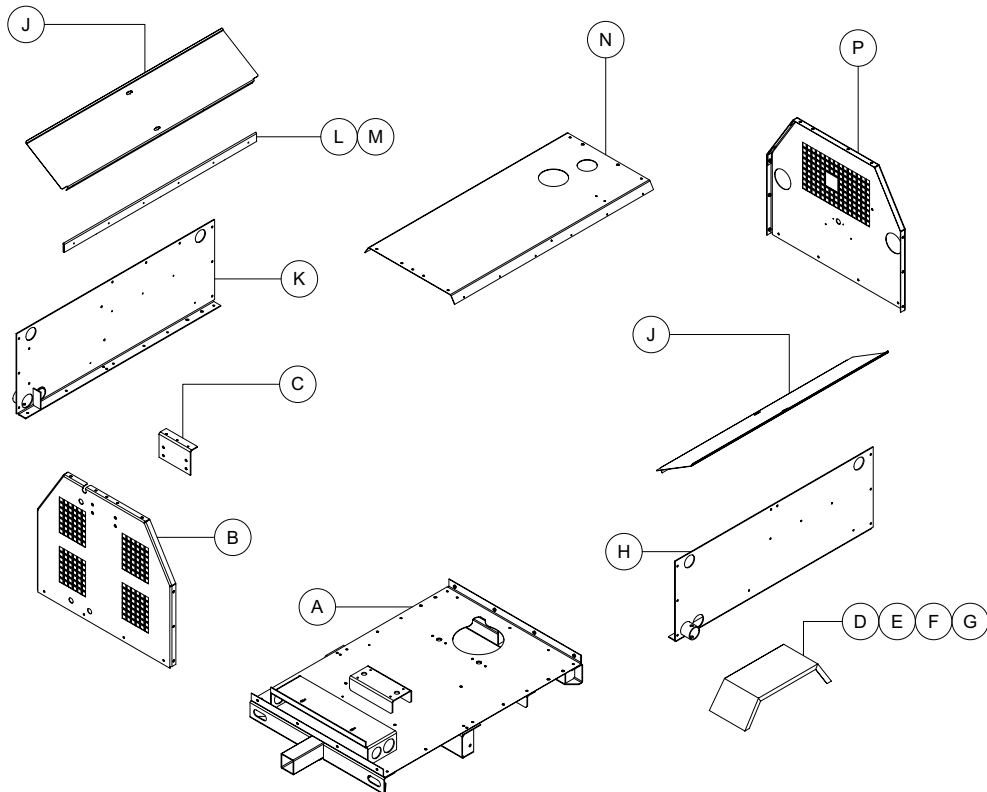
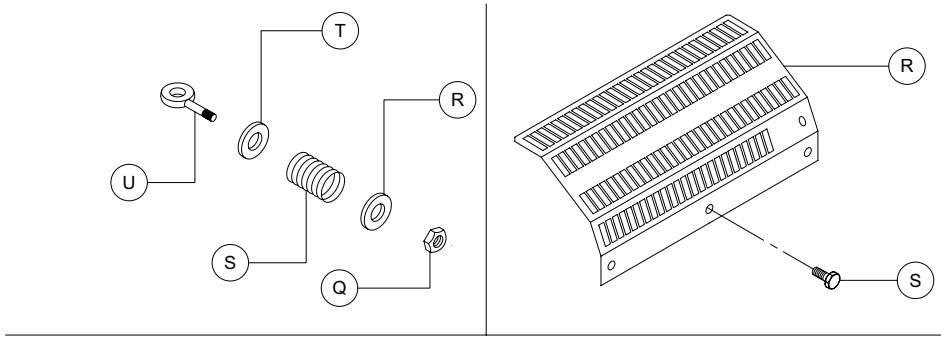


22902458\_027\_05/06\_A

ITEM	COMM. NO.	DESCRIPTION	QTY	DIMENSIONS/NOTES
A	36923209	Frame	1	
B	36923142	Panel, Front	1	
C	36923233	Support, Front Panel	1	
D	36877579	Fender	2	
E	96739313	Screw (L.H. Fender only)	5	M6 - 1.0 X 14
F	36898104	Nut (L.H. Fender only)	5	M6 - 1.0
G	92368687	Screw, Tapping (R.H. Fender only)	5	M6 - 1.0 X 14
H	22369052	Panel, L.H. Side	1	
J	36923183	Door	2	
K	36923225	Panel, R.H. Side	1	
L	36923175	Hinge	2	
M	36843282	Rivet	30	
N	36923167	Roof	1	

*Continued.....*

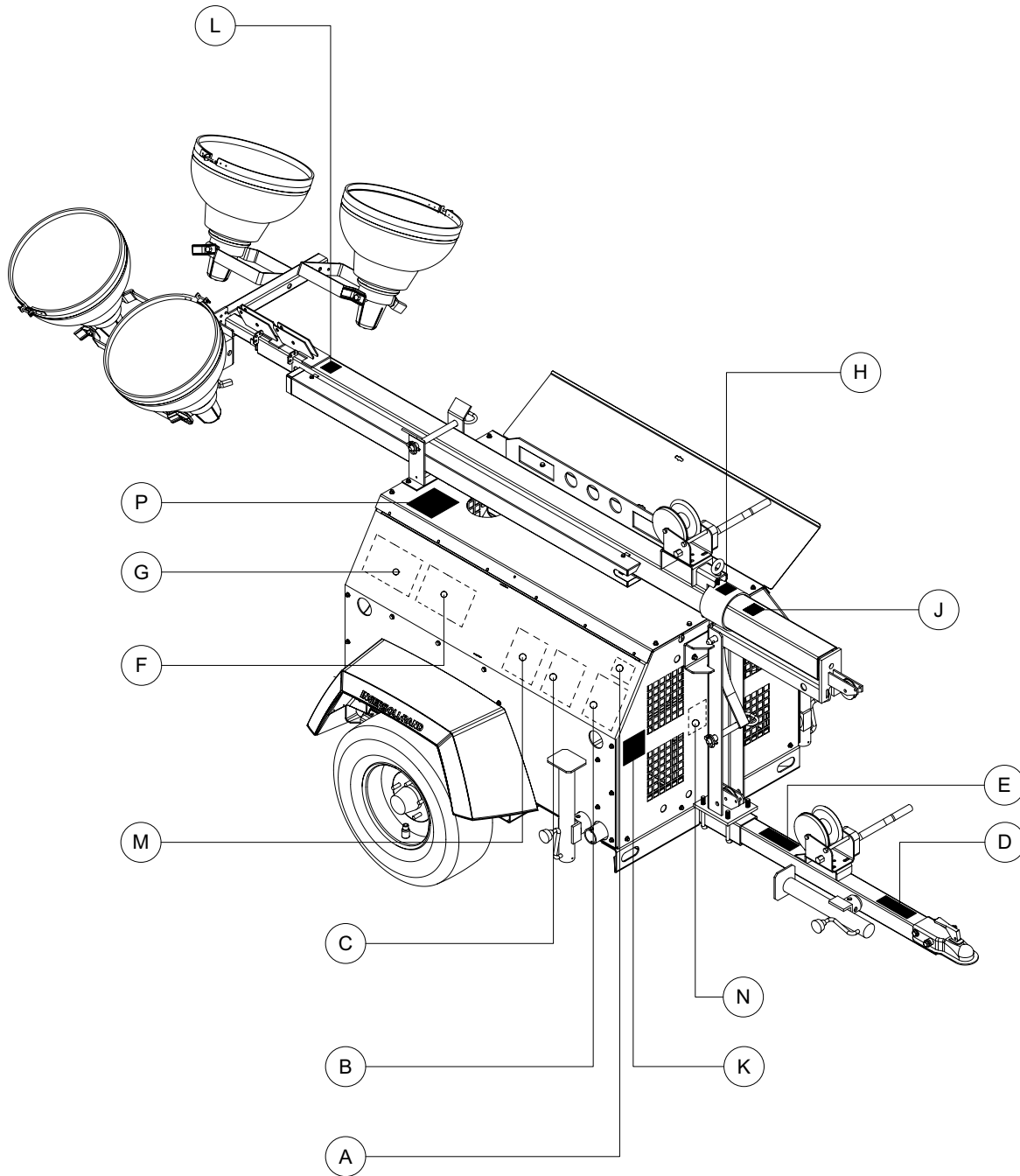
## Frame and Enclosure



22902458\_028\_05/06\_A

ITEM	COMM. NO.	DESCRIPTION	QTY	DIMENSIONS/NOTES
				<i>.....Continued</i>
P	22267579	Panel, Rear	2	
Q	95923298	Nut	4	
R	36772028	Washer, Nylon	4	
S	35607837	Spring	4	
T	95935029	Washer	4	
U	35607829	Eyebolt	4	
V	22253470	Shield, Heat	1	
W	35279025	Screw	3	M8 - 1.25 X 20
		Parts Not Illustrated		
	36923134	Bracket, Door Bolt	1	

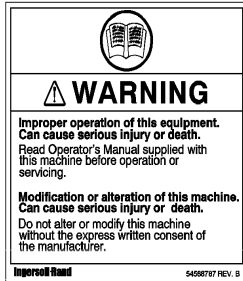
## Decal Location



22902458\_029\_05/06\_A

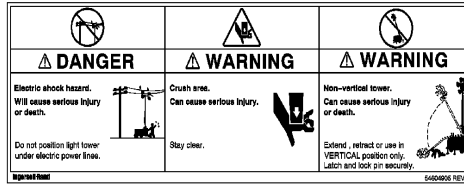
ITEM	COMM. NO.	DESCRIPTION	QTY	DIMENSIONS/NOTES
A	54568787	Decal, Improper Operation	1	
B	36529782	Decal, Operating Instructions	1	
C	36534667	Decal, General Data	1	
D	54568803	Decal, Collapsing Jack Stand	1	
E	54604921	Decal, Towing Notice	1	
F	54369806	Decal, Engine Wiring Diagram	1	
G	54369814	Decal. Generator Wiring Diagram	1	<b>Continued.....</b>

# Decal Location



A 54568787

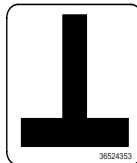
STARTING WITH SERIAL NO. 318481



K 54604905

OPERATING INSTRUCTIONS DECAL (36529782) B

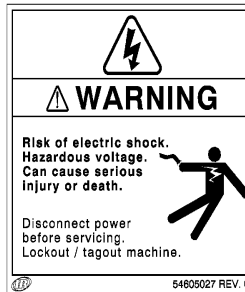
GENERAL DATA DECAL (36534667) C



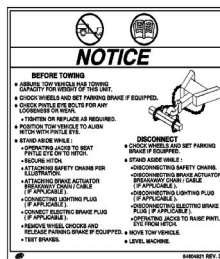
L 36524353



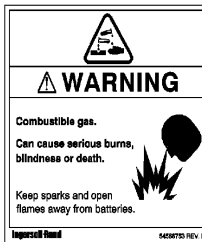
D 54568803



M 54605027



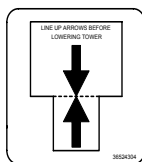
E 54604921



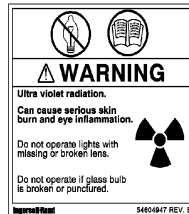
N 54568753

WIRING DIAGRAM ENGINE (54369806) F

WIRING DIAGRAM GENERATOR (54369814) G



H 36524304



J 54604947



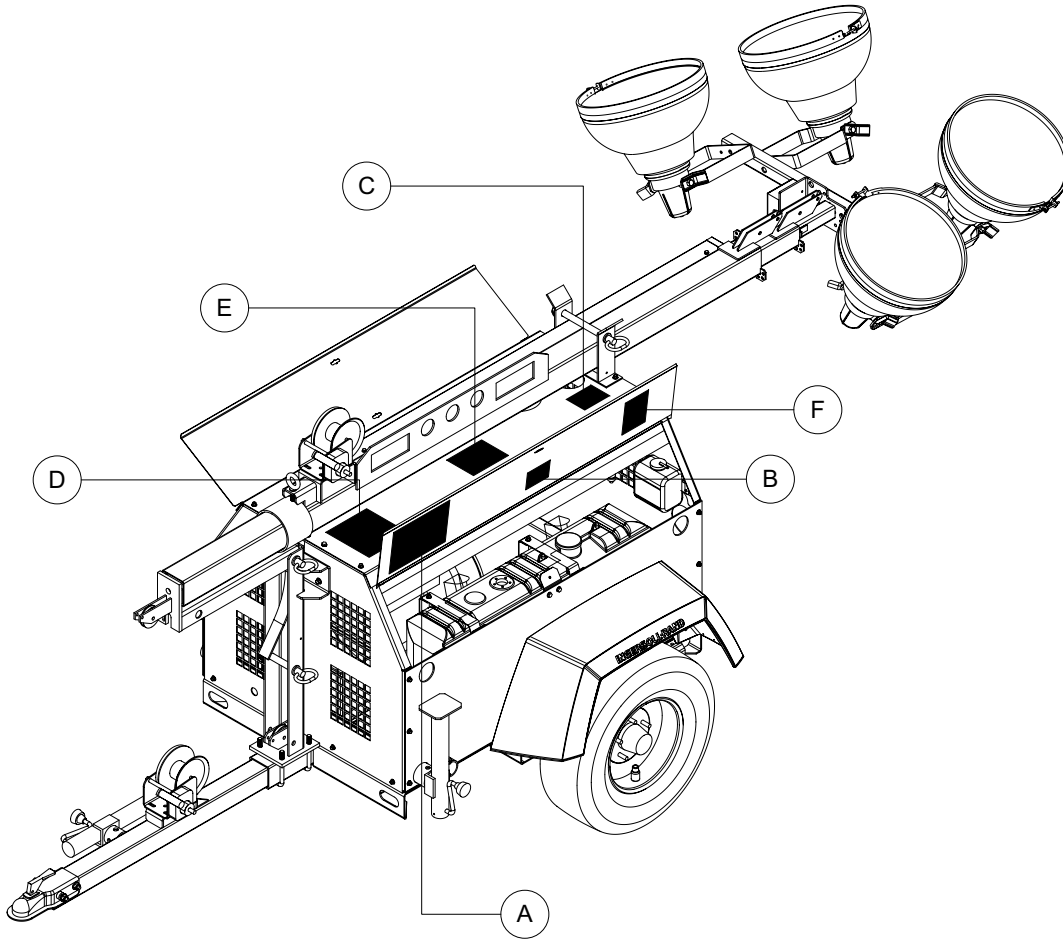
P 54604962

22902458\_030\_05/06\_A

ITEM	COMM. NO.	DESCRIPTION	QTY	DIMENSIONS/NOTES
H	36524304	Decal, Line Up Arrows	1	.....Continued
J	54604947	Decal, Ultra Violet Radiation	1	
K	36520948	Decal, Non-Vertical Tower	1	
L	36524353	Decal, Standard Straight	1	
M	54605027	Decal, Hazardous Voltage	1	
N	54568753	Decal, Combustible Gas	1	
P	54604962	Decal, Radiator Hot Fill	1	



## Decal Location



22902458\_031\_05/06\_A

ITEM	COMM. NO.	DESCRIPTION	QTY	DIMENSIONS/NOTES
A	36529808	Card, Light Tower Safety	1	<b>Continued.....</b>
B	54625207	Decal, ISO Diesel Fuel	1	
C	54568761	Decal, Hot Pressurized Fluid	1	
D	36531564	Decal, Tower Operating Instructions	1	
E	36529824	Decal, Lifting Instructions	1	
F	54568779	Decal, Rotating Fan	1	

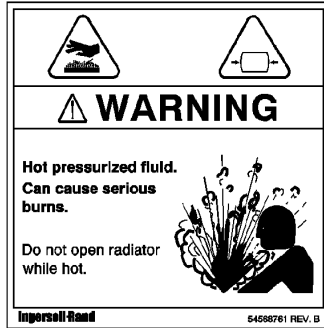
# Decal Location

STARTING WITH SERIAL NO. 318481

SAFETY CARD (6529808) (A)



(B) 54625207



(C) 54568761

TOWER OPERATING (36529790) (D)

UNIT LIFTING (36529824) (E)



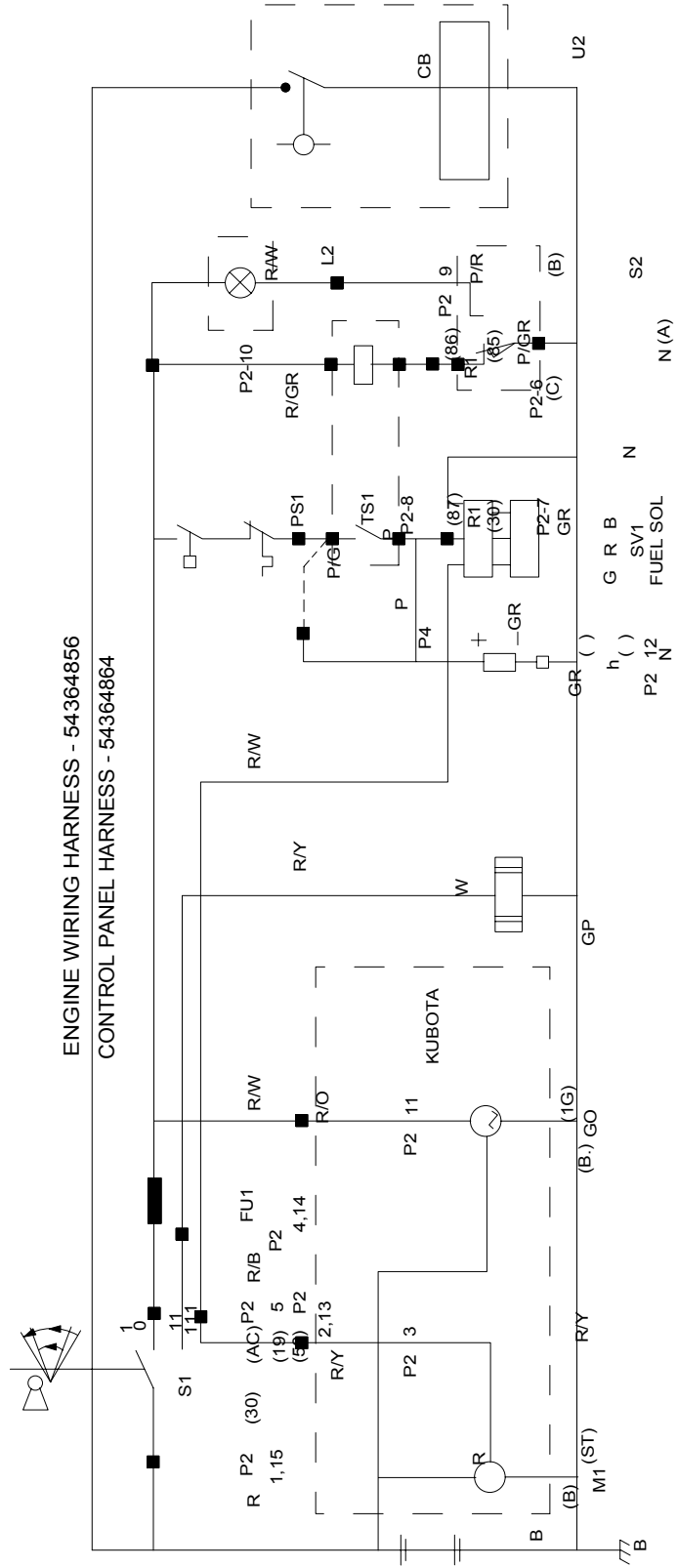
(F) 54568779

22902458\_032\_05/06\_A

ITEM	COMM. NO.	DESCRIPTION	QTY	DIMENSIONS/NOTES
				.....Continued

# Wiring Diagram

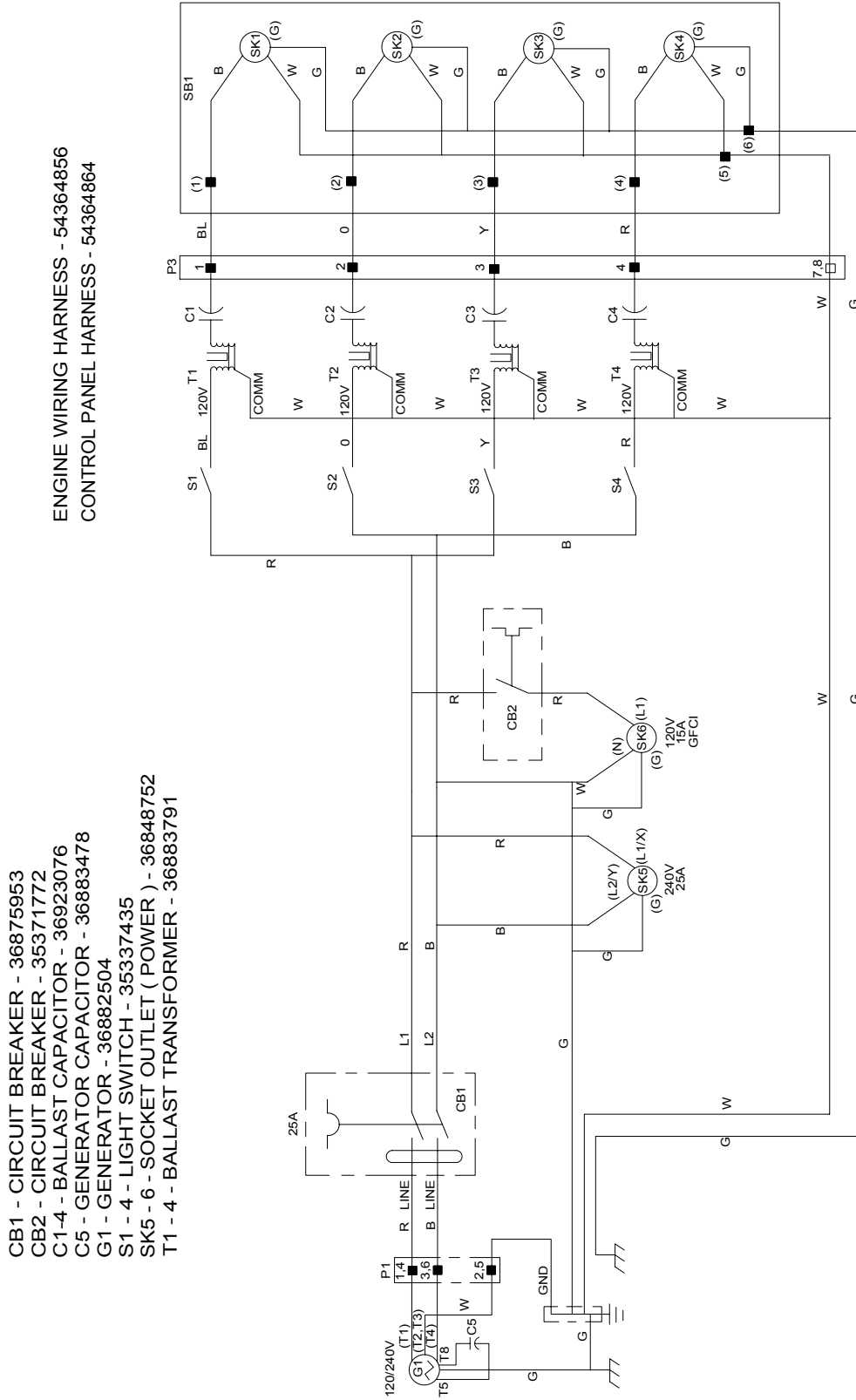
- B - BATTERY - 36844967
- CB - WINCH CIRCUIT BREAKER - 368504042
- GO - ALTERNATOR 36888170
- H- HOURMETER - 36841245
- L2 - LOW FUEL LAMP ( OPTION ) - 36883825
- M1 - STARTER MOTOR - 36888188
- PSI = OIL PRESSURE SWITCH - 36878379
- RI - FUEL SHUTDOWN RELAY - 36878361
- SI - MAIN SWITCH - 36786457
- S2 - LOW FUEL SWITCH ( OPTION ) - 54414669
- SV1 = FUEL SOLENOID - 36878189
- TS1 - WATER TEMPERATURE SWITCH - 36868479
- U2 - ELECTRIC WINCH - 36878056



22902458\_034\_05/06\_A

ITEM	COMM. NO.	DESCRIPTION	QTY	DIMENSIONS/NOTES

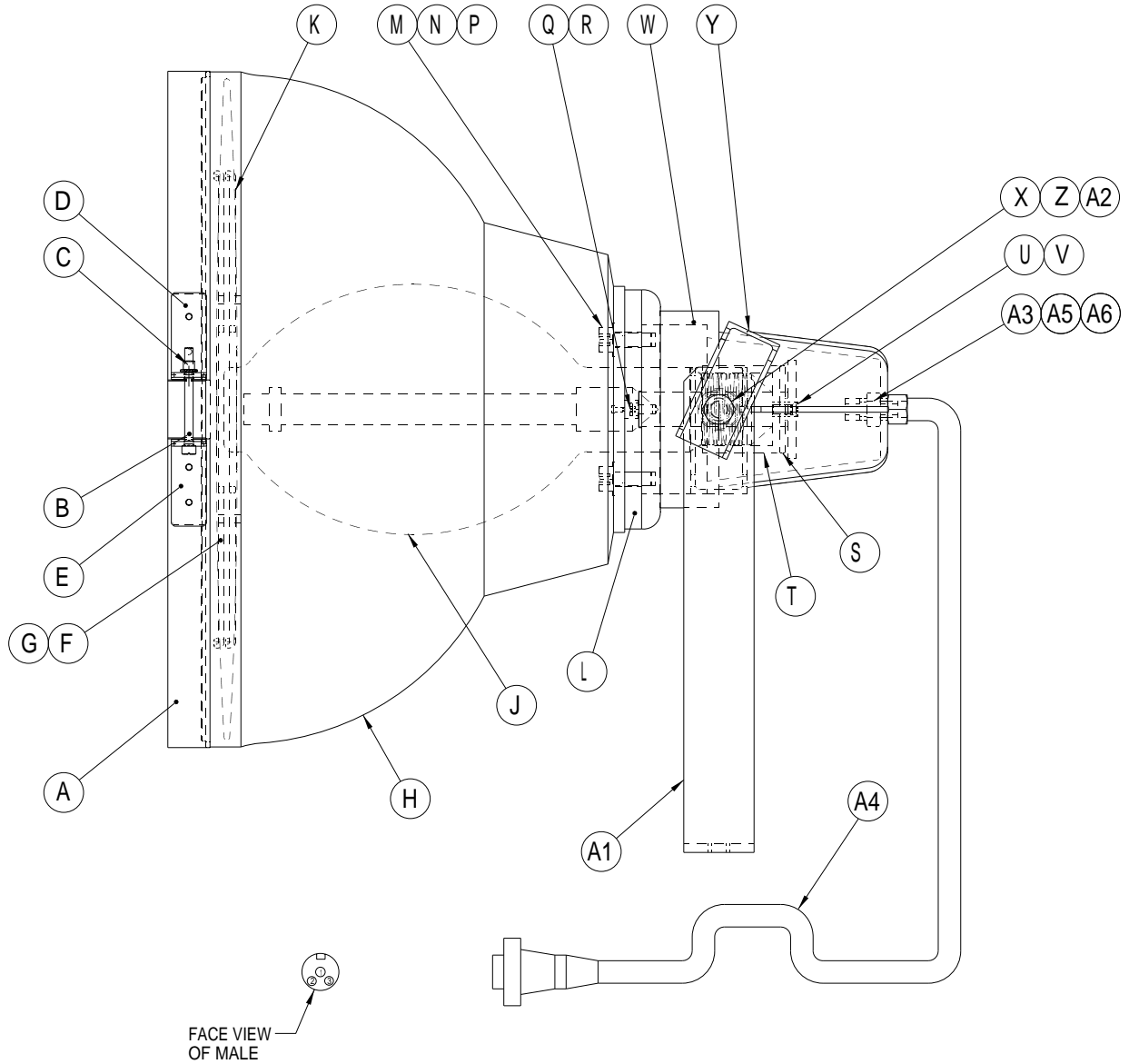
# Wiring Diagram



22902458\_035\_05/06\_A

ITEM	COMM. NO.	DESCRIPTION	QTY	DIMENSIONS/NOTES

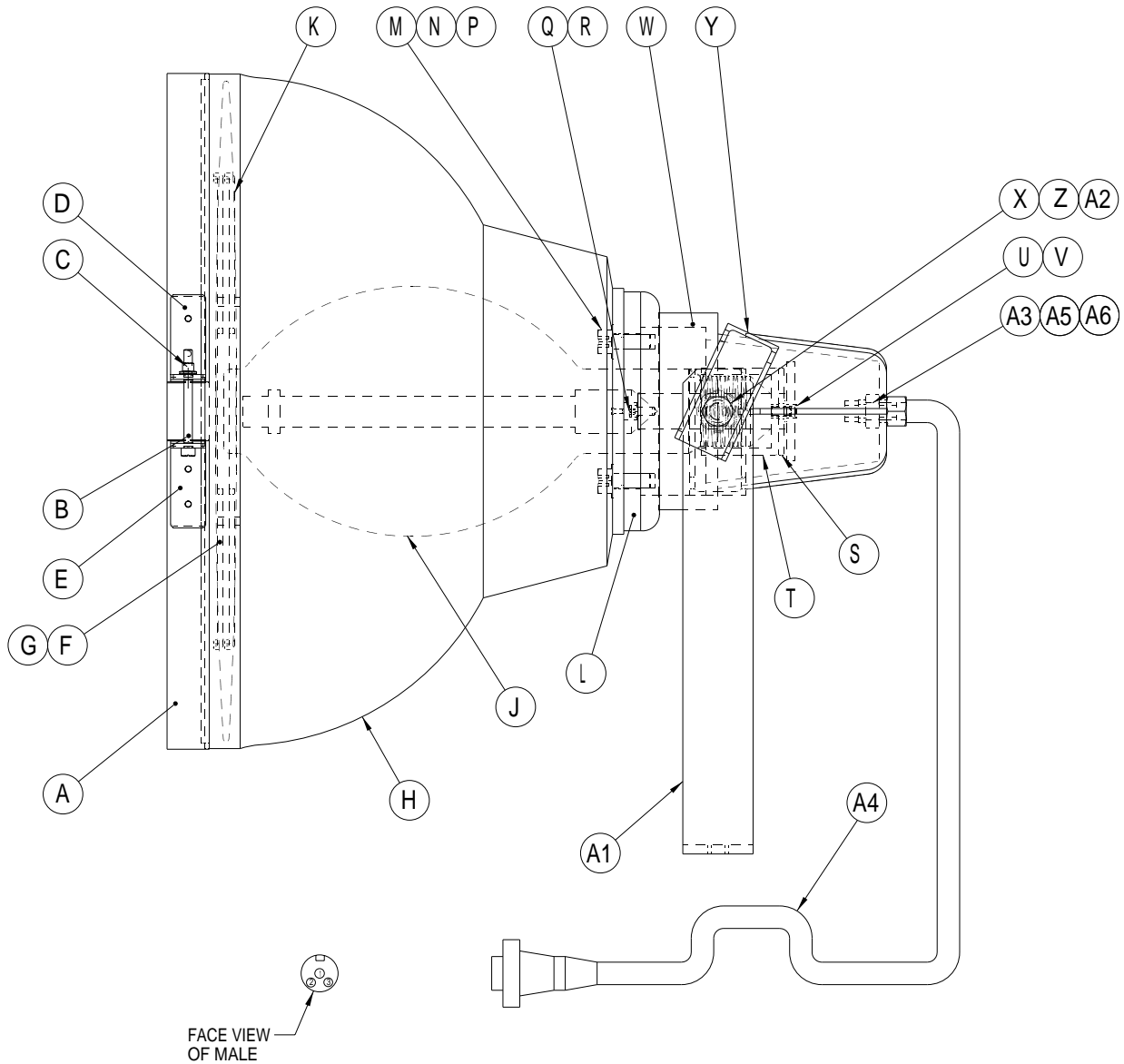
## Optical / Socket Assembly



22902458\_036\_05/06\_A

ITEM	COMM. NO.	DESCRIPTION	QTY	DIMENSIONS/NOTES
A	22515480	Clamp, Band Assembly	1	18"
B	22515498	Screw	1	8 - 32 X 1 1/4"
C	22515506	Nutsert	1	8 - 32
D	22515514	Clamp, Band Left Angle Bracket	1	
E	22515522	Clamp, Band Right Angle Bracket	1	
F	22515530	Gasket, Lens	1	18"
G	22515548	Lens, Glass	1	18"
H	22515555	Reflector, Dimpled	1	
J	36847747	Lamp, MH	1	1000W
K	22515571	Brace, Lamp	2	
				<b>Continued.....</b>

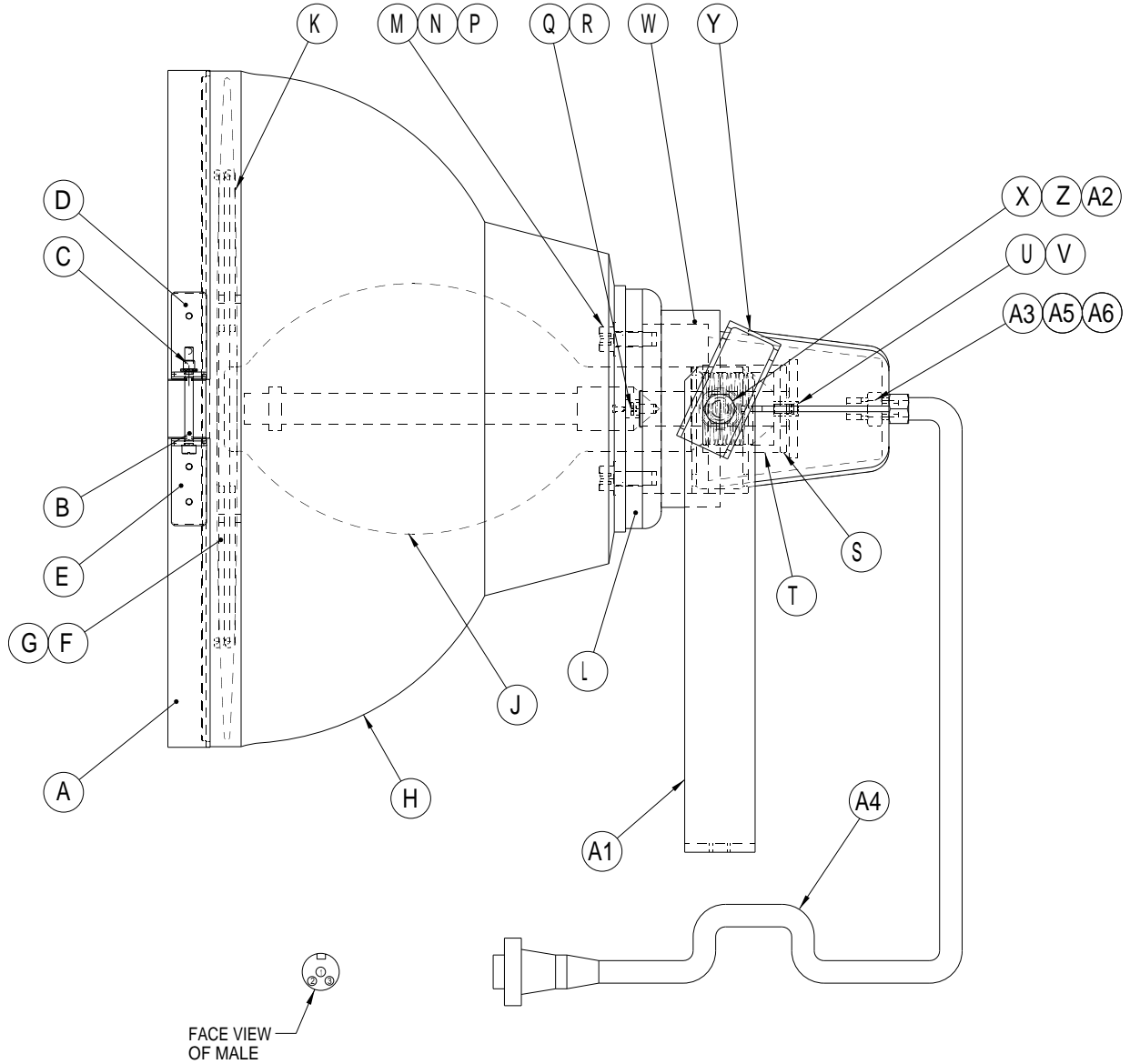
# Optical / Socket Assembly



22902458\_037\_05/06\_A

ITEM	COMM. NO.	DESCRIPTION	QTY	DIMENSIONS/NOTES
				<b>.....Continued</b>
L	22515589	Gasket, Reflector Housing	1	
M	22515597	Screw	4	10 - 24 X 5/8"
N	22515605	Rivet, Aluminium	2	1/8" X 3/16"
P	22515613	Ring, Reflector	1	
Q	22515621	Screw	2	8 - 32 X 3/8"
R	22515639	Bracket, Socket	1	
S	22515647	Insulator, Lamp Holder	1	
T	22515654	Socket, Mogul	1	
U	22515662	Screw	2	8 - 32 X 7/8"
V	22515670	Plate, Heat Sink	1	
				<b>Continued.....</b>

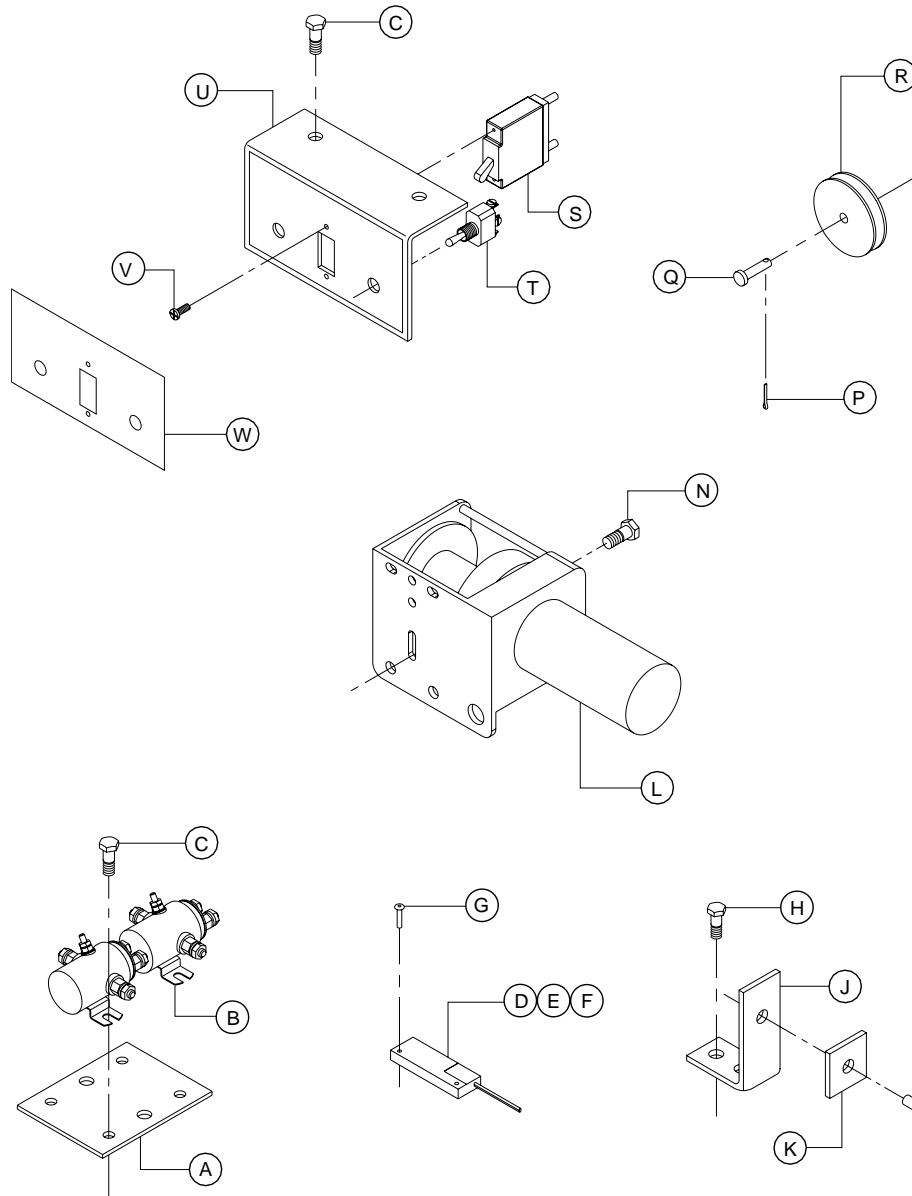
## Optical / Socket Assembly



22902458\_038\_05/06\_A

ITEM	COMM. NO.	DESCRIPTION	QTY	DIMENSIONS/NOTES
				<b>.....Continued</b>
W	22515688	Casting, Aluminium	1	
X	22515696	BLT	2	1/2" - 13 X 1 1/4"
Y	22515704	Handle, Adjustment	2	
Z	22515712	Washer, External Tooth	2	1/2"
A1	22515720	Trunnion, Galvanized	1	
A2	22515738	Washer, Lock	2	
A3	36779346	Cord, Quick Connect	1	54"
A4	22515753	Strain Relief	1	
A5	22515761	Nut, Wire	2	
A6	22515779	Sleeve, Fiberglass	3	3"

# Electric Winch Assembly



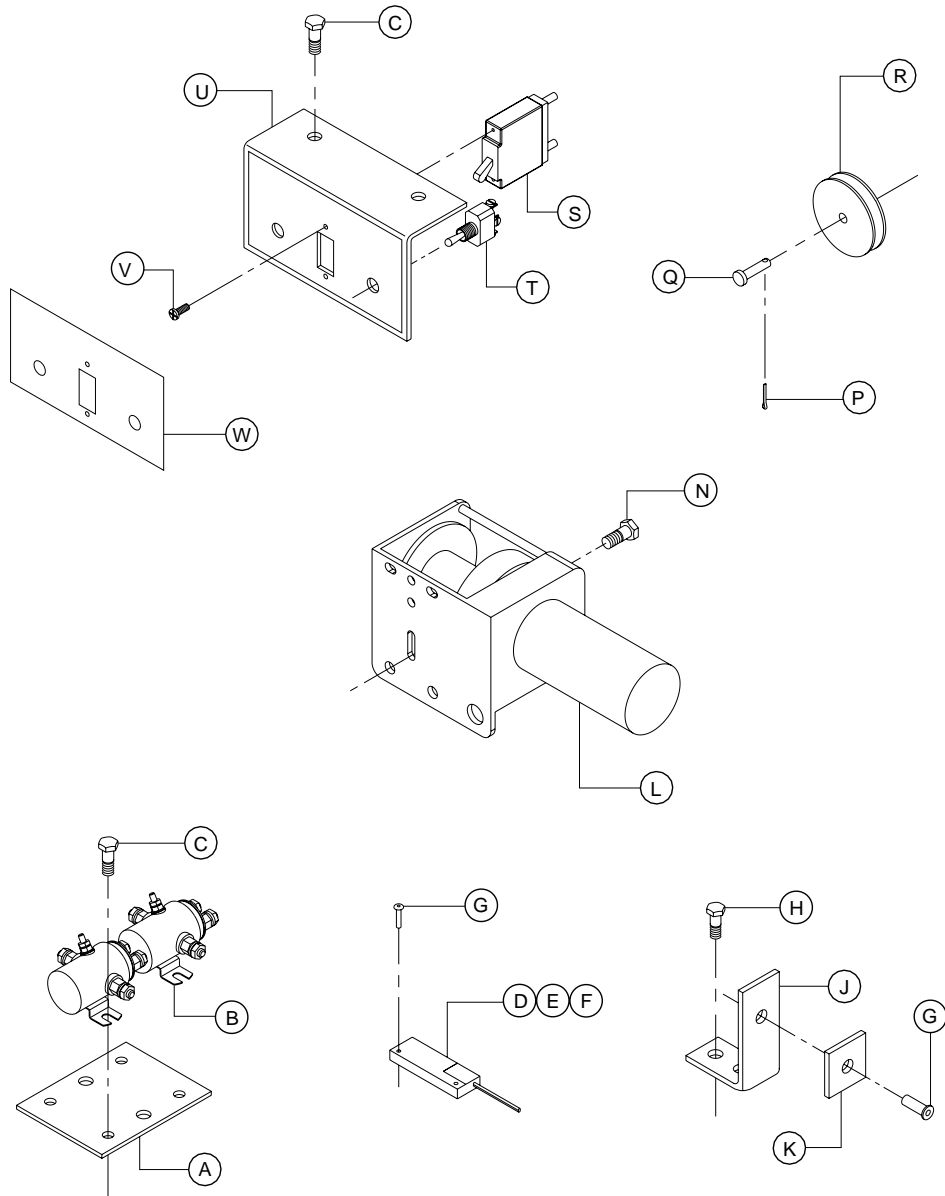
22902458\_039\_05/06\_A

ITEM	COMM. NO.	DESCRIPTION	QTY	DIMENSIONS/NOTES
A	36881548	Bracket, Solenoid Mounting	1	
B	22451702	Relay, Electric Winch	2	
C	36898096	Screw	2	
D	36876803	Sensor, Proximity	2	
E	36769503	Terminal	4	
F	35356583	Mount	6	
G	95962734	Rivet	6	
H	35300771	Screw	2	
J	54418306	Bracket, Magnet	1	
K	36876746	Sensor, Magnet	1	

*Continued.....*



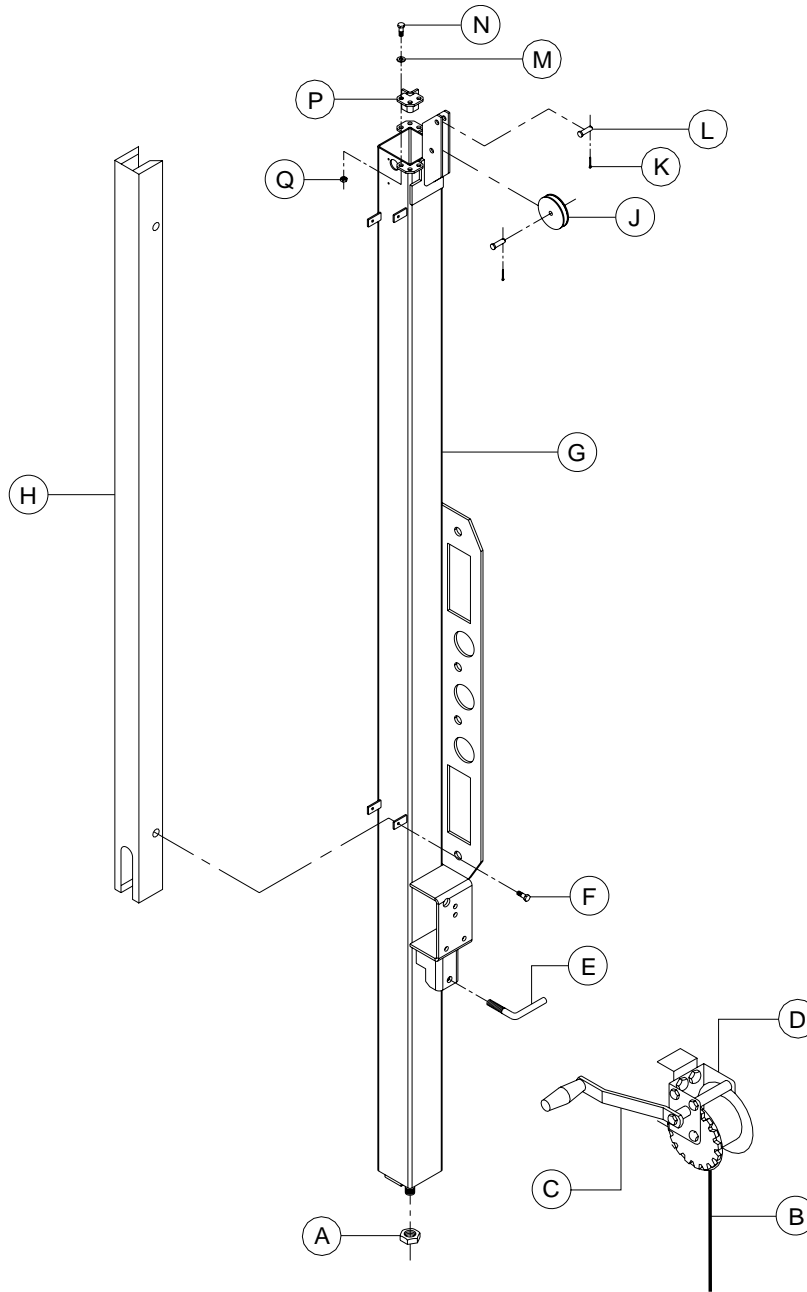
## Electric Winch Assembly



22902458\_040\_05/06\_A

ITEM	COMM. NO.	DESCRIPTION	QTY	DIMENSIONS/NOTES
L	36878056	Winch, 12 Volt (Mount 1 ea on Drawbar & Tower)	2	..... <b>Continued</b>
M	36889608	Screw	6	
N	36881886	Nut	6	
P	95928867	Pin, Cotter	1	
Q	36869246	Pin, Clevis	1	
R	36783009	Pulley	1	
S	36850402	Breaker, 70amp Circuit	1	
T	36794204	Switch, Toggle	2	
U	54413885	Bracket, Winch Switch	1	
V	95942496	Screw	2	
W	54412804	Decal, Electric Winch	2	
X	36888774	Harness, Electric Winch (Not Shown)	1	

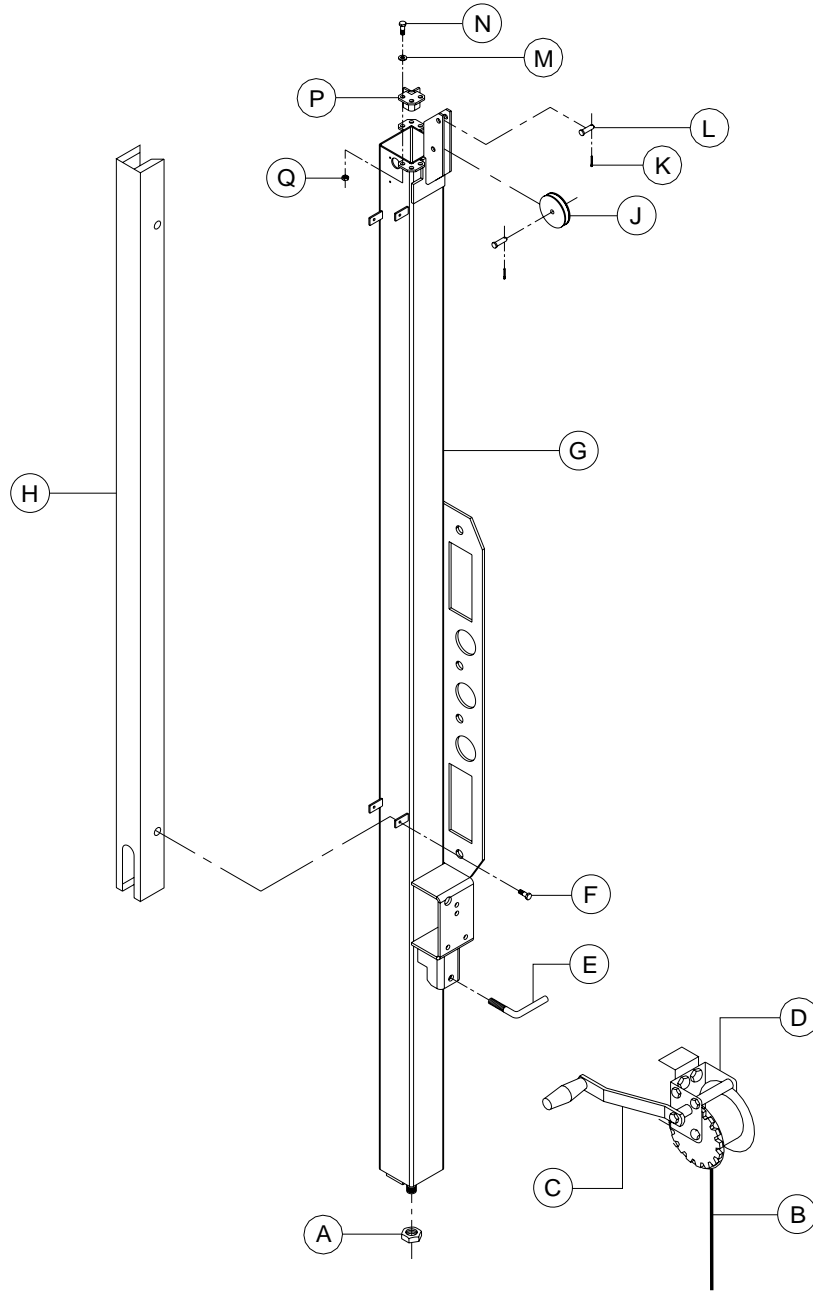
## Bottom Tower Assembly



22902458\_041\_05/06\_A

ITEM	COMM. NO.	DESCRIPTION	QTY	DIMENSIONS/NOTES
A	36881886	Nut	1	
B	36876225	Cable ( 5460mm )	1	
C	36923662	Handle, Winch	1	
D	36923654	Winch, Manual	1	
E	54370754	L-Bolt	1	
F	92368687	Screw	4	
G	22348825	Bottom Tower Assembly ( Galvanized )	1	
	22348817	Bottom Tower Assembly ( Painted )	1	
				<b>Continued.....</b>

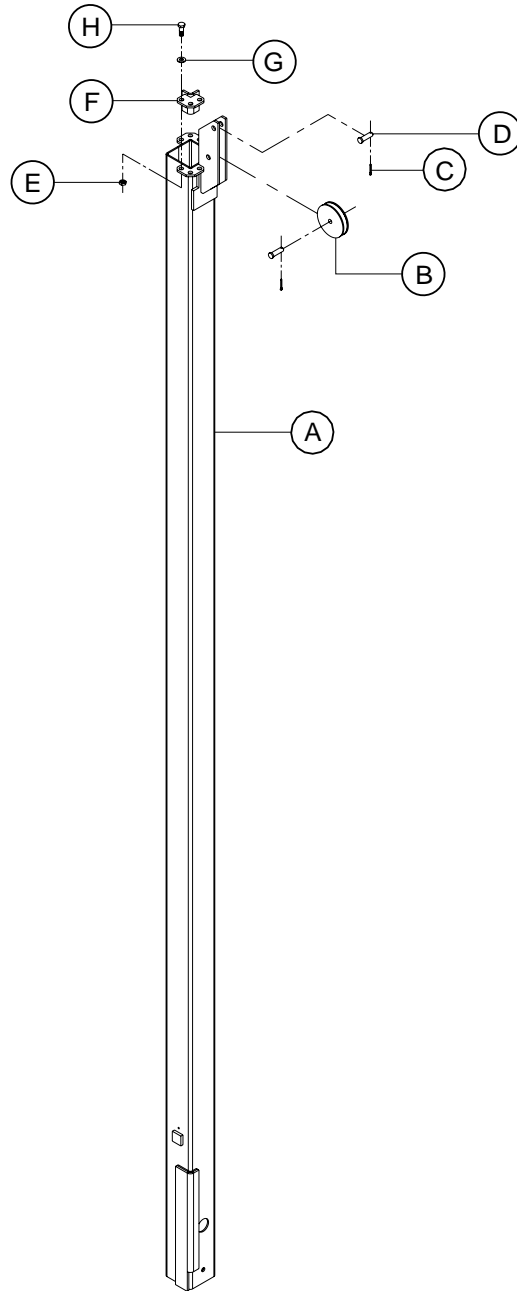
## Bottom Tower Assembly



22902458\_042\_05/06\_A

ITEM	COMM. NO.	DESCRIPTION	QTY	DIMENSIONS/NOTES
H	22335053	Shroud, Wire	1	<i>.....Continued</i>
J	36783009	Pulley	1	
K	95928867	Pin, Cotter	1	
L	36783868	Pin, Clevis	1	
M	95934998	Washer	4	
N	96702659	Screw	4	
P	22284079	Slide, Tower (Ganvanized)	2	
	36869196	Slide, Tower (Painted)	2	
Q	36769743	Nut	4	

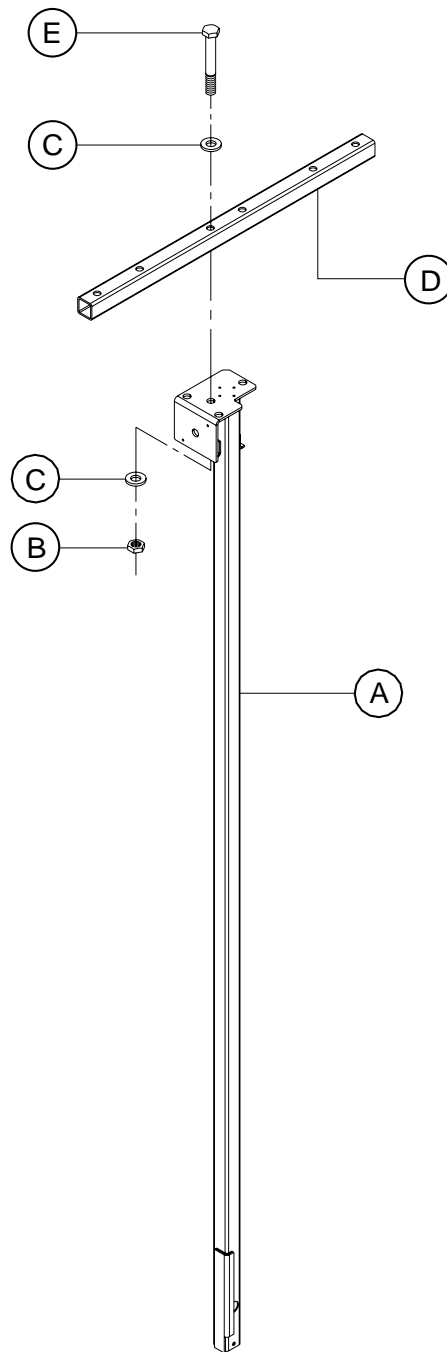
## Middle Tower Assembly



22902458\_043\_05/06\_A

ITEM	COMM. NO.	DESCRIPTION	QTY	DIMENSIONS/NOTES
A	22284087	Middle Tower Assembly ( Galvanized )	1	
	36895167	Middle Tower Assembly ( Painted )	1	
B	36783009	Pulley	1	
C	95928867	Pin, Cotter	1	
D	36783868	Pin, Clevis	1	
E	36769743	Nut	4	
F	22284079	Slide, Tower( Galvanized )	2	
	36869196	Slide, Tower( Painted)	2	
G	95934998	Washer	4	
H	96702659	Screw	4	

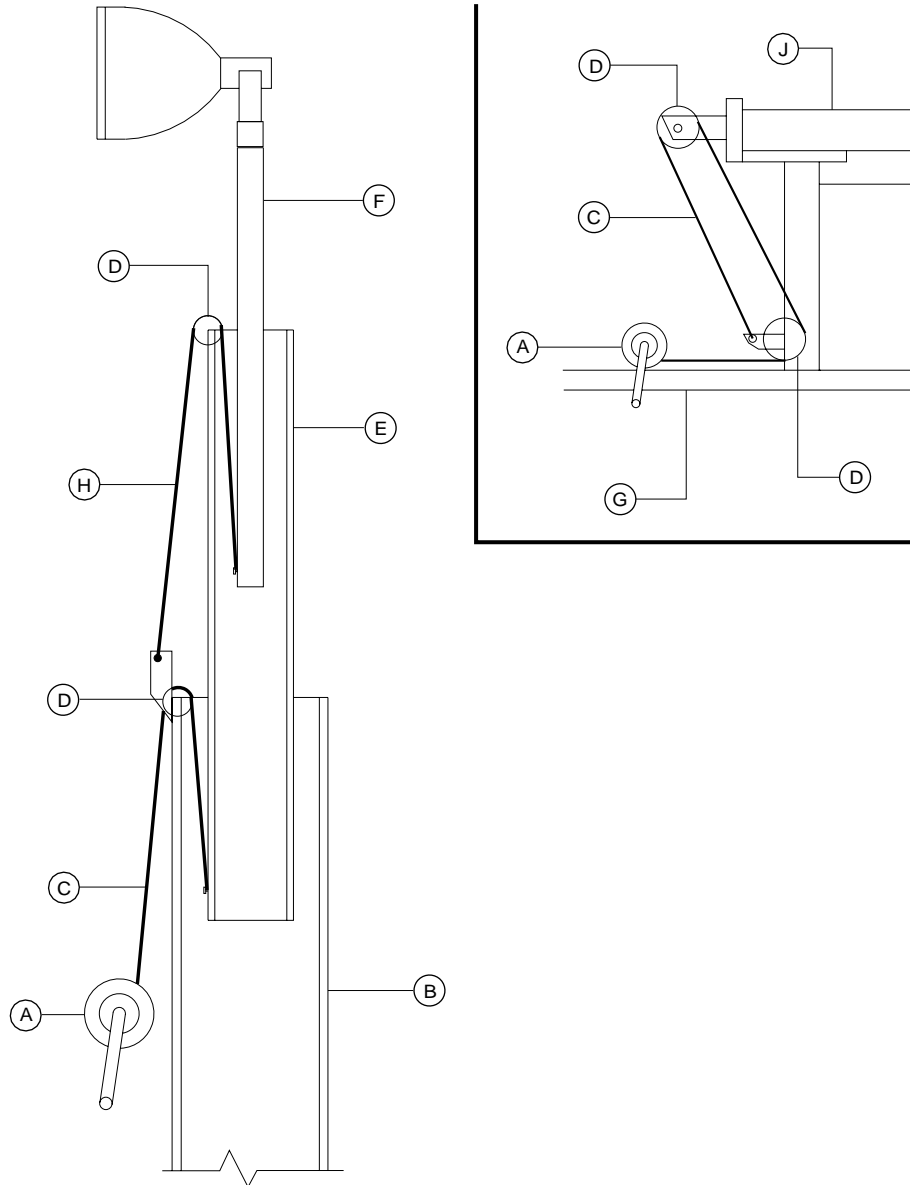
## Top Tower Assembly



22902458\_044\_05/06\_A

ITEM	COMM. NO.	DESCRIPTION	QTY	DIMENSIONS/NOTES
A	22284111	Top Tower Assembly ( Galvanized )	1	
	36922904	Top Tower Assembly ( Painted )	1	
B	95923363	Nut, Locking	2	
C	95935011	Washer	4	
D	22284103	Crossbar ( Galvanized )	1	
	36922854	Crossbar ( Painted )	1	
E	95995478	Screw	2	

## Cable Routing



22902458\_045\_05/06\_A

ITEM	COMM. NO.	DESCRIPTION	QTY	DIMENSIONS/NOTES
A	36923654	Winch, Manual	1	
B	22348825	Bottom Tower Assembly (Galvanized)	1	
	22348817	Bottom Tower Assembly (Painted)	1	
C	36876225	Cable ( 5460 mm )	1	
D	36783009	Pulley	5	
	22284087	Middle Tube Assembly (Galvanized)	1	
E	36895167	Middle Tube Assembly (Painted)	1	
	22284111	Top Tower Assembly (Galvanized)	1	
F	36922904	Top Tower Assembly (Painted)	1	
	-----	Drawbar ( Ref )	1	
H	36868545	Cable ( 3430 )	1	
J	-----	Tower Assembly ( Ref )	1	















## NUMERICAL INDEX

COMM.NO.	PAGE	COMM.NO.	PAGE	COMM.NO.	PAGE
-----	44	22515761	37	35736094	8
22144521	9	22515779	37	36073542	6
22246268	10	22574495	15	.....	10
22246797	21	35271170	25	36073872	21
22253470	7	35273366	13	36509073	8
.....	28	.....	14	36520948	30
22258446	14	35279025	10	36524304	30
22260905	20	.....	13	36524353	30
22262315	20	.....	14	36529782	29
22267579	28	.....	19	36529808	31
22284079	41	.....	28	36529824	31
.....	42	35282078	19	36531564	31
22284087	42	35282565	10	36534667	29
.....	44	35292986	10	36769503	38
22284103	43	35296342	15	36769743	41
22284111	43	.....	19	.....	42
.....	44	35300771	38	36772028	28
22335053	41	35304047	8	36779346	24
22348817	40	35315118	11	.....	37
.....	44	35315142	11	36783009	25
22348825	40	35315183	12	.....	39
.....	44	35315191	12	.....	41
22369052	27	35315209	12	.....	42
22382949	10	35315217	11	.....	44
22451702	38	35315225	11	36783868	41
22494850	7	35315233	11	.....	42
22501217	6	35315241	11	36786218	25
.....	24	35315274	11	36786457	22
22515480	35	35315340	12	36787398	9
22515498	35	35315357	12	36792828	18
22515506	35	35315365	12	36794170	26
22515514	35	35315373	12	36794204	39
22515522	35	35337435	22	36796068	10
22515530	35	35356583	38	36841245	22
22515548	35	35361849	18	36843282	26
22515555	35	35361864	11	.....	27
22515571	35	35361872	12	36845493	18
22515589	36	35361880	11	36847747	35
22515597	36	35361898	12	36848224	10
22515605	36	35363498	15	36850402	39
22515613	36	.....	18	36853257	21
22515621	36	.....	19	36853265	21
22515639	36	35376094	8	36861656	16
22515647	36	35384577	20	36868479	16
22515654	36	35384593	20	36868545	44
22515662	36	35385533	22	36868727	14
22515670	36	35388511	18	36869196	41
22515688	37	35392083	11	.....	42
22515696	37	35392158	11	36869246	25
22515704	37	35392307	20	.....	39
22515712	37	35393974	11	36869253	25
22515720	24	35516582	21	36870020	7
.....	37	35578194	21	.....	26
22515738	37	35605187	8	36870566	16
22515753	13	35607829	28	.....	19
.....	37	35607837	28	36870574	16

## NUMERICAL INDEX

COMM.NO.	PAGE	COMM.NO.	PAGE	COMM.NO.	PAGE
36871614	14	36899037	13	54418306	38
36875565	13		14	54518758	8
	14	36922854	43	54568753	30
36876225	40	36922904	43	54568761	31
	44		44	54568779	31
36876746	38	36923050	23	54568787	29
36876803	38	36923068	23	54568803	29
36877579	7	36923076	23	54604921	29
	27	36923134	28	54604947	30
36878056	39	36923142	27	54604962	30
36878197	16	36923167	27	54605027	30
36878379	16	36923175	27	54625207	31
36879195	26	36923183	6	92368687	10
36879203	12		27		27
36880995	26	36923209	27		40
36881100	6	36923225	27	95067864	13
	18	36923233	27	95916532	18
36881548	38	36923241	8	95920674	13
36881886	9	36923258	25	95923298	21
	19	36923266	7		28
	20		9	95923363	24
	26	36923274	19		43
	39	36923282	21	95928867	25
	40	36923290	6		39
36883478	13		8		41
36883825	22	36923407	6		42
36884948	6		10	95934998	9
	15	36923415	9		14
36885549	25	36923506	10		41
36885564	18	36923654	6		42
36885614	25		9	95935003	8
36885697	26		40	95935011	24
36885838	24		44		26
36885945	24	36923662	7		43
36888170	17		10	95935029	28
36888188	17		40	95935060	9
36888451	17	43214097	23	95942496	39
36888469	17	43214105	22	95953998	9
36888477	17		23	95962734	38
36888485	17	43214113	22	95995478	24
36888493	17	43214196	22		43
36888501	17	43214204	22	96701750	8
36888683	23	43214295	22	96702659	41
36888774	39	43214303	22		42
36889608	9	43214345	13	96704408	20
	19	43214352	22	96721527	9
	39	43214493	22	96721550	9
36890135	16	44004539	16	96730411	13
36892685	21	54363734	24		14
36895167	42	54369806	29	96739313	27
	44	54369814	29		
36898096	14	54370754	40		
	38	54379441	12		
36898104	14	54399506	8		
	27	54412804	39		
		54413885	39		

## WORD INDEX

### A

Alternator ..... 17  
 Angle ..... 21

### B

Ballast ..... 23  
 Battery 1000CCA (Optional) ..... 21  
 Battery 600CCA ..... 21  
 Beam  
     Axle ..... 11  
 Bearing  
     Inner ..... 11  
     Outer ..... 12  
 BLT ..... 37  
 Bolt  
     Keeper ..... 12  
     Shackle ..... 12  
 Bottle  
     Coolant ..... 6, 15  
 Bottom Tower Assembly ( Galvanized ) ..... 40  
 Bottom Tower Assembly ( Painted ) ..... 40  
 Bottom Tower Assembly (Galvanized) ..... 44  
 Bottom Tower Assembly (Painted) ..... 44  
 Box  
     Ballast ..... 23  
     Junction ..... 24  
 Brace  
     Lamp ..... 35  
 Bracket  
     Ballast Box ..... 23  
     Capacitor ..... 23  
     Coupler 3 Position ..... 8  
     Door Bolt ..... 28  
     Filter ..... 19  
     Magnet ..... 38  
     Mounting ..... 14  
     Socket ..... 36  
     Solenoid Mounting ..... 38  
     Support ..... 10  
     Winch Switch ..... 39  
 Breaker  
     70amp Circuit ..... 39  
     Circuit ..... 22

### C

Cable  
     Negative ..... 21  
     Pin ..... 25  
     Positive ..... 21  
 Cable ( 3430 ) ..... 44  
 Cable ( 5460 mm ) ..... 44  
 Cable ( 5460mm ) ..... 40  
 Cap  
     Fuel Tank ..... 18  
 Capacitor ..... 13, 23  
 Card  
     Light Tower Safety ..... 31

### Casting

    Aluminium ..... 37  
 Chain & Hook Assembly ..... 9  
 Clamp  
     Band Assembly ..... 35  
     Band Left Angle Bracket ..... 35  
     Band Right Angle Bracket ..... 35  
 Cord ..... 24  
     Quick Connect ..... 37  
 Cord with Plug ..... 24  
 Coupler ..... 6, 8  
     3 Position ..... 8  
     3 Potition ..... 8  
 Cover  
     Control Panel ..... 22, 23  
 Crossbar ( Galvanized ) ..... 43  
 Crossbar ( Painted ) ..... 43  
 Cup  
     Bearing ..... 12

### D

Decal  
     Collapsing Jack Stand ..... 29  
     Combustible Gas ..... 30  
     Electric Winch ..... 39  
     Engine Wiring Diagram ..... 29  
     General Data ..... 29  
     Hazardous Voltage ..... 30  
     Hot Pressurized Fluid ..... 31  
     Improper Operation ..... 29  
     ISO Diesel Fuel ..... 31  
     Lifting Instructions ..... 31  
     Line Up Arrows ..... 30  
     Non-Vertical Tower ..... 30  
     Operating Instructions ..... 29  
     Panel ..... 7, 22  
     Radiator Hot Fill ..... 30  
     Rotating Fan ..... 31  
     Standard Straight ..... 30  
     Tower Operating Instructions ..... 31  
     Towing Notice ..... 29  
     Ultra Violet Radiation ..... 30  
 Decal. Generator Wiring Diagram ..... 29  
 Door ..... 6, 27  
 Drawbar ..... 7, 9  
 Drawbar ( Ref ) ..... 44

### E

Elbow  
     Barbed ..... 20  
 Engine  
     Kubota ..... 15  
 Engine Fan ..... 17  
 Engine Lift Pump (Part of Engine) ..... 18  
 Eyebolt ..... 28

## WORD INDEX

### F

Fan Belt	17
Fender	7, 27
Filter	
Engine Air	16
Engine Fuel	16, 19
Engine Oil	16
Inline	18
Frame	27
From Engine Return	19
Fuel Tank Pipe Assembly	20

### G

Gasket	
Lens	35
Reflector Housing	36
Solenoid	16
Generator	13
Guard	
Fan	14

### H

Handle	
Adjustment	37
Winch	7, 10, 40
Hanger	
Rear	12
Harness	
Electric Winch (Not Shown)	39
Hinge	27
Hitch	
Dual	
Standard	8
Hose	
From Radiator	15
Hourmeter	22
Hub Assembly	11

### I

Insulator	
Lamp Holder	36
Isolator	
250 lb	13, 14

### J

Jack	
Stabilizer	6
Jack Assembly	9
J-Bolt	21

### K

Key	22
Kit	
Solenoid	16

### L

Lamp	
MH	35
L-Bolt	40
Lens	
Glass	35
Level	9
Light	
Low Fuel (Not Shown)	22

### M

Middle Tower Assembly ( Galvanized )	42
Middle Tower Assembly ( Painted )	42
Middle Tube Assembly (Galvanized)	44
Middle Tube Assembly (Painted)	44
Mount	38
Muffler	14

### N

Nut	
Keeper	12
Locking	43
Spindle	11
Top Lock	12
U-Bolt	11
Wire	37
Nut (2 per Screw)	8
Nut (L.H. Fender only)	27
Nutsert	35

### O

Optical Assembly	6, 24
Outrigger	10

### P

Panel	
Front	27
L.H. Side	27
R.H. Side	27
Rear	28
Parts Not Illustrated	13, 16, 17, 28
Parts not Illustrated	20
Pin	7, 10, 25, 26
Clevis	25, 39, 41, 42
Cotter	11, 25, 39, 41, 42
Spring	26
Pintle	
3 Position	8
Plate	
Heat Sink	36
Tie	11
Pulley	25, 39, 41, 42, 44

### R

Radiator	17
Radiator Bottom Hose	17



## WORD INDEX

Radiator Top Hose	17	Support	
Receptacle		Front Panel	27
230 Volt		Tower	25
10 Amp (Italian)	22	Switch	16
16 Amp (Not Shown)	22	Key	22
230V		Toggle	22, 39
10 Amp (German)	22	Water Temp.	16
Relay	16	<b>T</b>	
Electric Winch	38	Tank	
Relfector		Fuel	6, 18
Dimpled	35	Terminal	38
Relief		Tire	10
Strain	13	Tire & Wheel Assembly	6, 10
Rest		To Engine	19
Tower	26	Top Tower Assembly ( Galvanized )	43
Ring		Top Tower Assembly ( Painted )	43
Reflector	36	Top Tower Assembly (Galvanized)	44
Rivet		Top Tower Assembly (Painted)	44
Aluminium	36	Tower Assembly ( Ref )	44
Roof	27	Trunnion	
Running Gear	10	Galvanized	37
<b>S</b>		Trunnion (Wire to Ballast)	24
Screw		Tube	
Tapping (R.H. Fender only)	27	Mounting	10
Screw (L.H. Fender only)	27	<b>W</b>	
Seal		Washer	8, 9, 12, 13, 14, 24, 26, 28, 41, 42, 43
Grease	11	External Tooth	37
Sensor		Lock	37
Magnet	38	Nylon	28
Proximity	38	Plastic	21
Shield		Wheel	10
Heat	7, 28	Winch	6
Shroud		12 Volt (Mount 1 ea on Drawbar & Tower)	39
Wire	41	Manual	9, 40, 44
Sleeve			
Fiberglass	37		
Slide			
Tower (Ganvanized)	41		
Tower (Painted)	41		
Tower( Galvanized )	42		
Tower( Painted)	42		
Socket			
Mogul	36		
Spring			
Flat	25		
Slipper	11		
Starter	17		
Stem			
Valve	10		
Strain Relief	35, 37		
Strap			
Ground (Not Illustrated)	21		
Top	20		
Vertical	20		
Stud	12		

## WORD INDEX



Ingersoll Rand Company  
Utility Equipment  
P.O. Box 868 - 501 Sanford Ave  
Mocksville, N.C. 27028