



Doosan Infracore
Portable Power



Parts Manual

VHP600CM

Doosan Infracore Portable Power
1293 Glenway Drive
Statesville, NC 28625-9218
www.doosanportablepower.com

Book 23356801 Revision A (08/08)
Revised (01-13)

Doosan purchased Bobcat Company from Ingersoll-Rand Company in 2007. Any reference to Ingersoll-Rand Company or use of trademarks, service marks, logos, or other proprietary identifying marks belonging to Ingersoll-Rand Company in this manual is historical or nominative in nature, and is not meant to suggest a current affiliation between Ingersoll-Rand Company and Doosan Company or the products of either.

Parts List	1
Enclosure Assembly	2
Air End Complete	4
Cooler Assembly	6
Air End Discharge Piping	8
Air Intake Assembly	10
Air End Piping	12
Air End Piping	14
Separator Tank Assembly	16
Separator Tank Assembly	18
Separator Tank Assembly	20
Separator Tank Assembly	22
Minimum Pressure Check Valve	24
Oil Piping	26
Air Piping	28
Air Piping	30
Wiring Diagram	32
Decal Location	34
Decal Location	36
Decal Location	38
Decal Location	40



Section A - Parts Ordering

GENERAL

This publication, which contains an illustrated parts breakdown, has been prepared as an aid in locating those parts which may be required in the maintenance of the unit. Always insist on genuine Ingersoll Rand branded parts for your unit.

Doosan Infracore Portable Power can bear no responsibility for injury or damages resulting directly from the use of non-approved repair parts.

Portable Power service facilities and Ingersoll Rand parts are available worldwide. Consult local yellow pages or visit: www.doosanportablepower.com.

Special order parts may not be included in this manual. Contact the Portable Power Parts Department with the unit serial number for assistance with these special parts.

Description

The illustrated parts breakdown illustrates and lists the various assemblies, subassemblies and detailed parts which make up this particular machine. This covers the standard models and the more popular options that are available.

In referring to the rear, the front or to either side of the unit, always consider the drawbar end of the unit as the front.

Standing at the rear of the unit facing the drawbar (front) will determine the right and left sides.


Fasteners

Both SAE/inch and ISO/metric hardware have been used in the design and assembly of these units. In the disassembly and reassembly of parts, extreme care must be taken to avoid damaging threads by the use of wrong fasteners.

How To Order

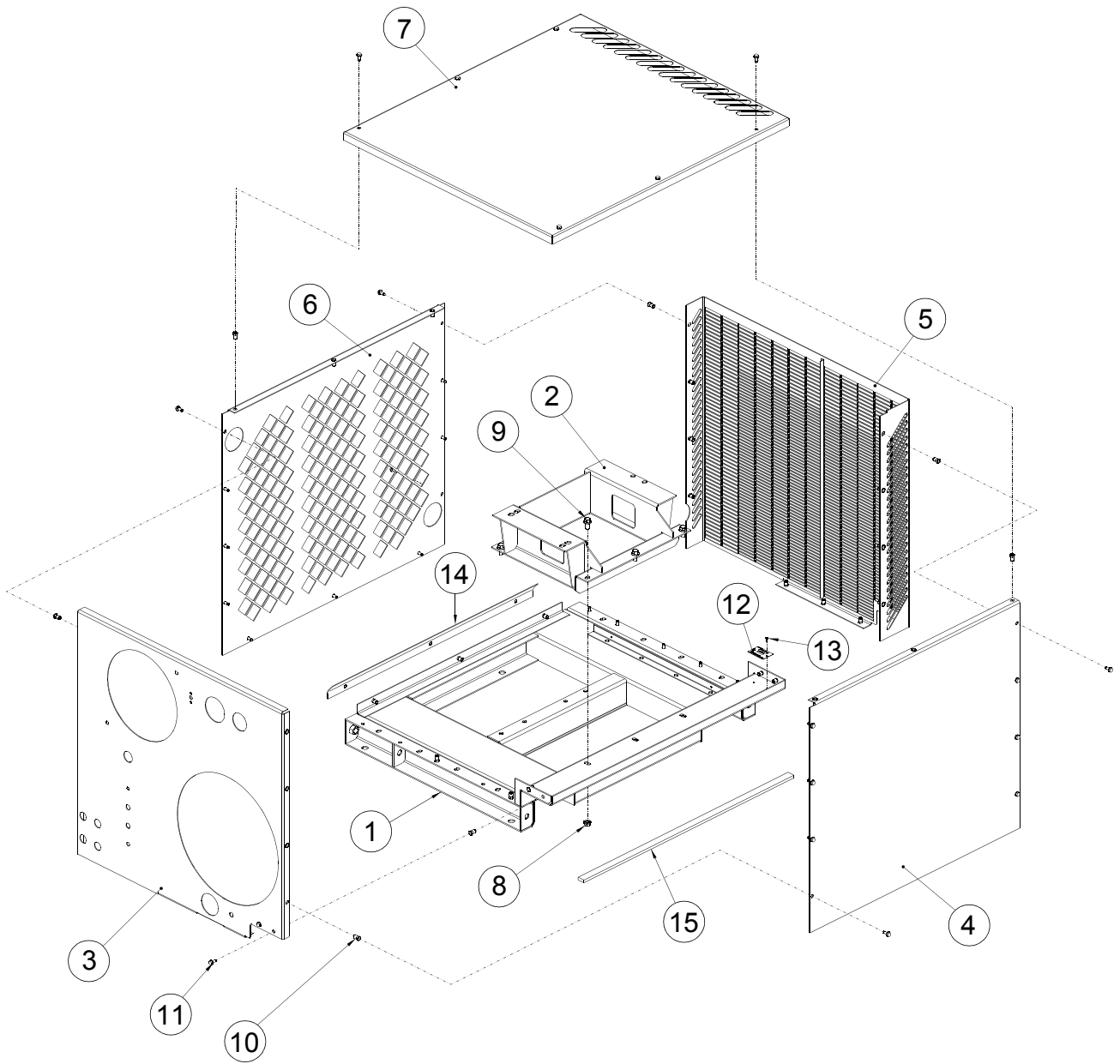
Always specify the model and serial number of the unit.

Specify the part number and description.



Section B - Parts List

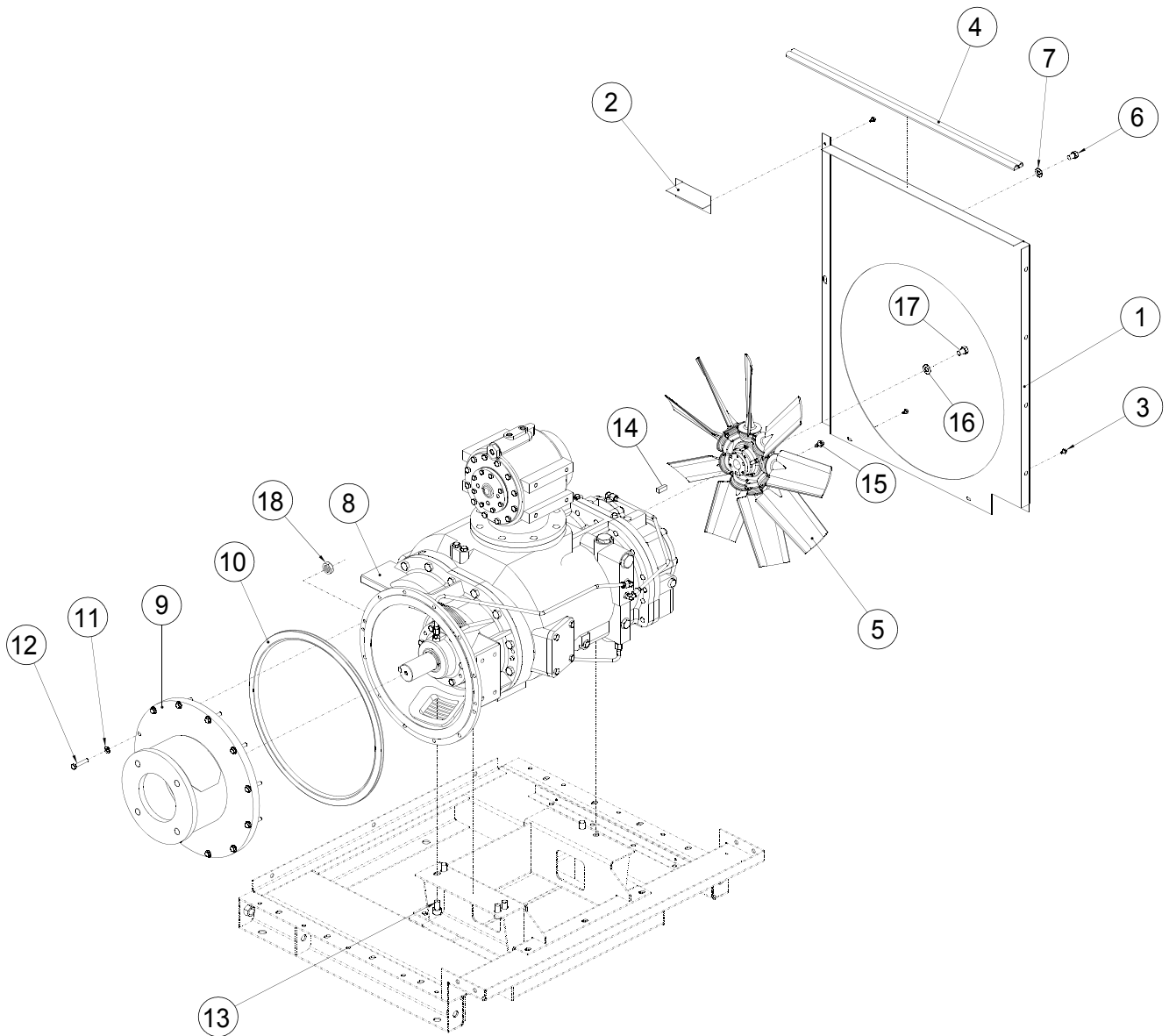
Enclosure Assembly



23356801_08/08_A

ITEM	COMM. NO.	DESCRIPTION	QTY	DIMENSIONS/NOTES
1	46490546	Frame, Base	1	
2	23282916	Mount, Air End	1	
3	23282924	Panel, Front Assembly	1	
4	23282932	Panel, Right Assembly	1	
5	23282940	Panel, Back Assembly	1	
6	46490553	Panel, Left Side	1	
7	23282965	Panel, Top Assembly	1	
8	35252618	Nut	15	
9	35252758	Screw	15	
10	36895746	Nutsert	35	
11	96727193	Screw	35	
12	23230857	Plate, Serial Number	1	
13	36843282	Rivet	2	
14	46490561	Baffle, Lower Cooler	1	
15	22617666	Strip, Seal	1	

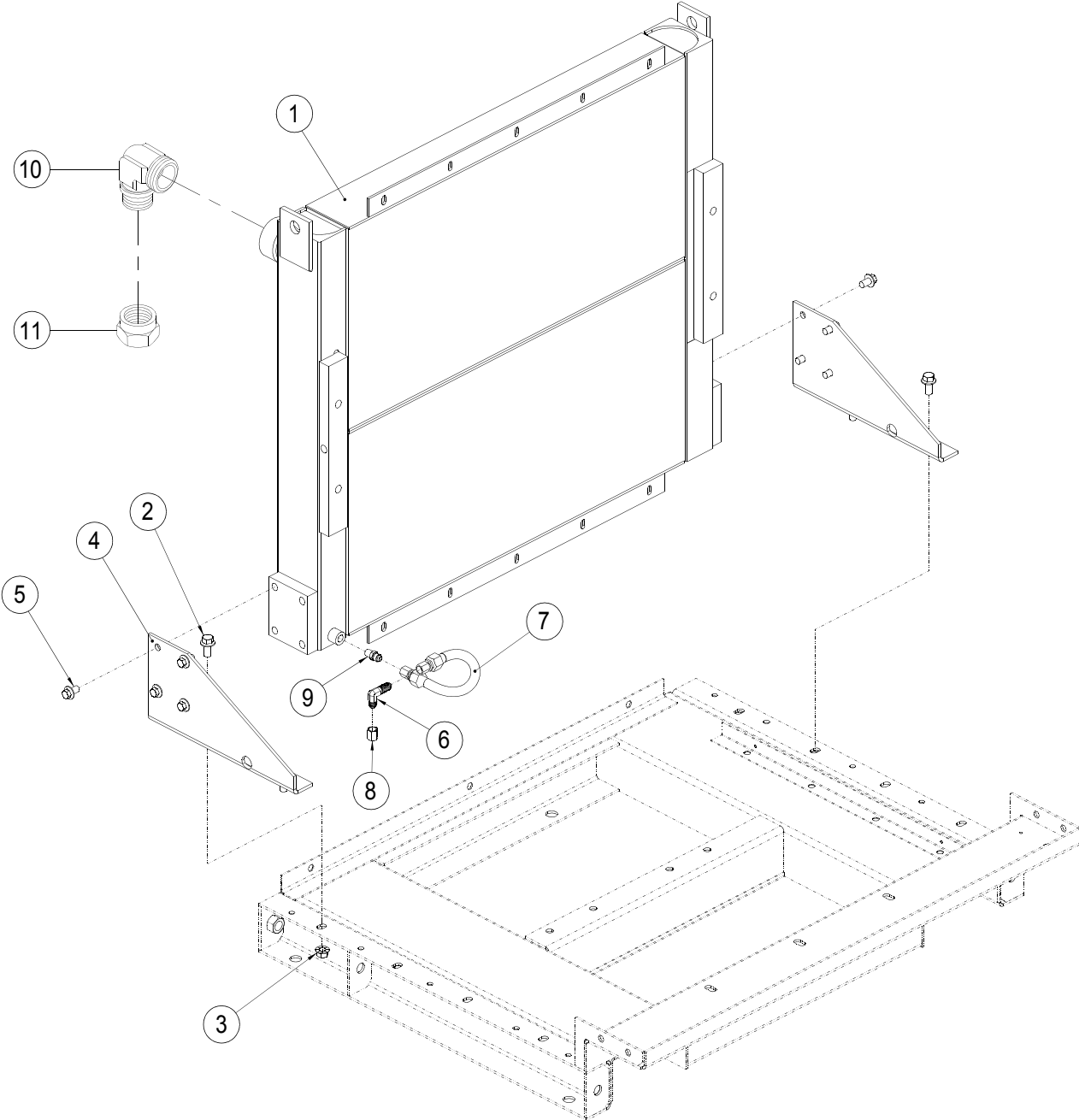
Air End Complete



23356801_08/08_A

ITEM	COMM. NO.	DESCRIPTION	QTY	DIMENSIONS/NOTES
1	23283021	Orifice, Fan	1	
2	23283039	Shroud, Fan	1	
3	36797652	Screw	3	
4	22617674	Seal, Rubber	1	
5	23222409	Fan Assembly	1	
6	95992244	Screw	1	
7	95935003	Washer	1	
8	46492120	Air End Assembly	1	
9	23282890	Adapter	1	
10	54627617	Guard, Door Edge	1	
11	95935037	Washer	12	
12	95935128	Screw	12	
13	35358274	Screw	6	
14	46490579	Key	1	
15	46490595	Screw	3	
16	36899037	Washer	1	
17	96702287	Screw	1	
18	35145077	Nut	12	

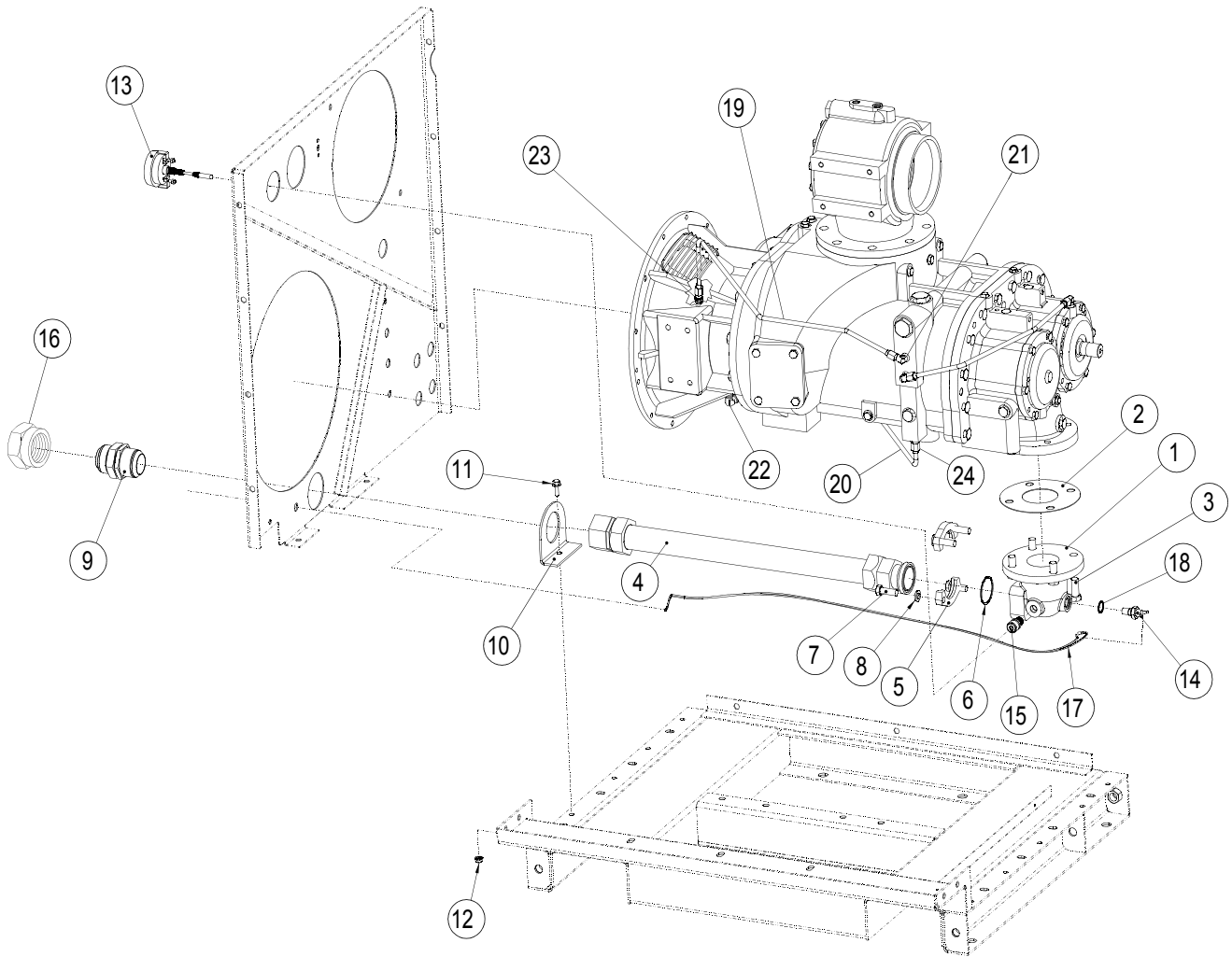
Cooler Assembly



23356801_08/08_A

ITEM	COMM. NO.	DESCRIPTION	QTY	DIMENSIONS/NOTES
1	43210640	Cooler Assembly	1	
2	35252758	Screw	4	
3	35252618	Nut	4	
4	23222391	Bracket, Cooler	2	
5	96704572	Screw	8	
6	36852499	Elbow	1	
7	35282961	Hose Assembly	1	
8	95984175	Cap	1	
9	35284082	Connector	1	
10	95431292	Elbow	2	
11	95387940	Cap	2	

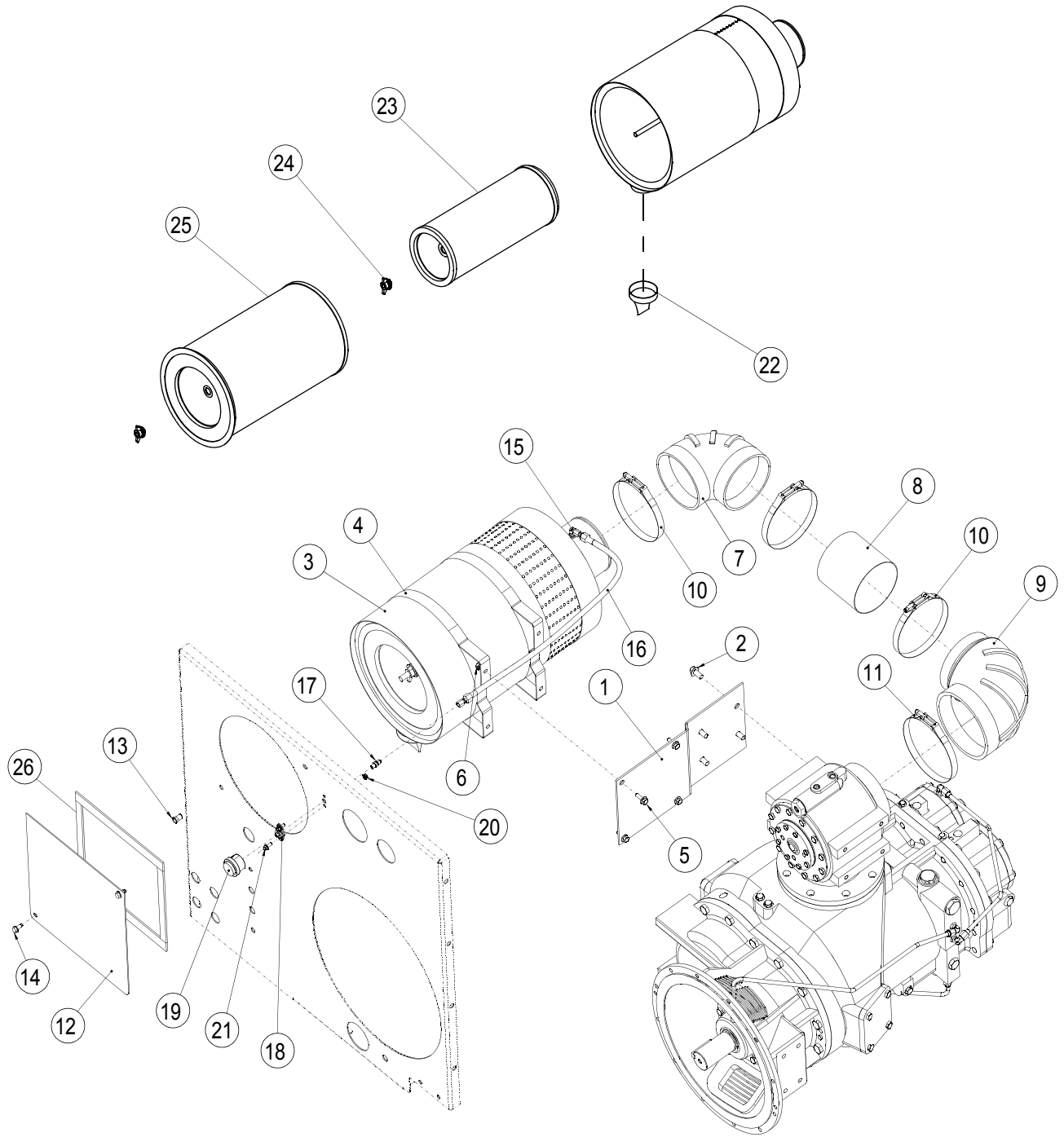
Air End Discharge Piping



23356801_08/08_A

ITEM	COMM. NO.	DESCRIPTION	QTY	DIMENSIONS/NOTES
1	22247340	Elbow, Discharge	1	
2	35575570	Gasket	1	
3	35375385	Screw	4	
4	23282973	Hose, Discharge	1	
5	35292143	Clamp, Flange	2	
6	95357976	O-ring	1	
7	96719810	Screw	4	
8	95934683	Washer	4	
9	95976973	Fitting	1	
10	23282999	Bracket, Discharge	1	
11	35144344	Screw	1	
12	35145077	Nut	1	
13	36765790	Gage, Temperature	1	
14	35596436	Switch, Temperature	1	
15	35371681	Connector, Thermocouple	1	
16	36857795	Cap	1	
17	46490710	Harness, Temperature Switch	1	
18	35278589	O-ring	1	
19	39911292	Tube Assembly	1	
20	39911284	Tube Assembly	1	
21	95959730	Elbow	1	
22	35279827	Elbow	1	
23	36866564	Connector	1	
24	95974663	Connector	1	

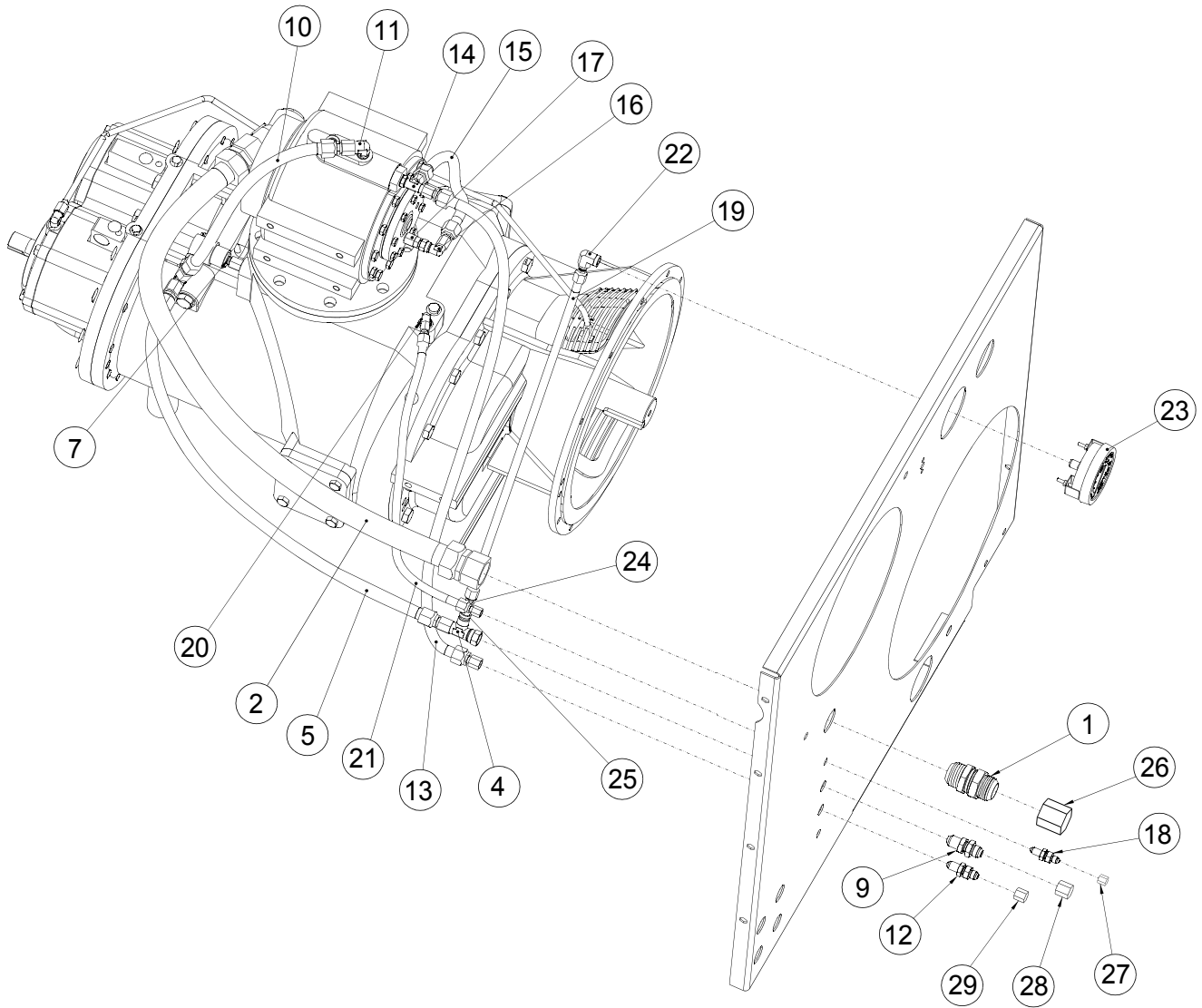
Air Intake Assembly



23356801_08/08_A

ITEM	COMM. NO.	DESCRIPTION	QTY	DIMENSIONS/NOTES
1	23283062	Bracket, Filter	1	
2	96704226	Screw	4	
3	36866242	Air Cleaner	1	
4	23283070	Clamp Assembly	2	
5	35144344	Screw	4	
6	35145077	Nut	4	
7	35117605	Elbow, Rubber	1	
8	35600378	Tube, Engine Inlet	1	
9	35583236	Elbow, Reducing	1	
10	35116094	Clamp, T-bolt	3	
11	35119858	Clamp, T-bolt	1	
12	23283047	Cover, Air Cleaner	1	
13	36895746	Nutsert	2	
14	96727193	Screw	2	
15	35301225	Elbow	1	
16	35283258	Hose Assembly	1	
17	95287629	Connector	1	
18	35107408	Flange, Remote Mounting	1	
19	35314939	Indicator, Restriction	1	
20	35144492	Nut	2	
21	35144328	Screw	2	
22	36867778	Ejector, Dust	1	
23	36876019	Element, Safety	1	
24	36867794	Nut, Wing	2	
25	36867786	Element, Primary	1	
26	22617666	Strip, Seal	4	

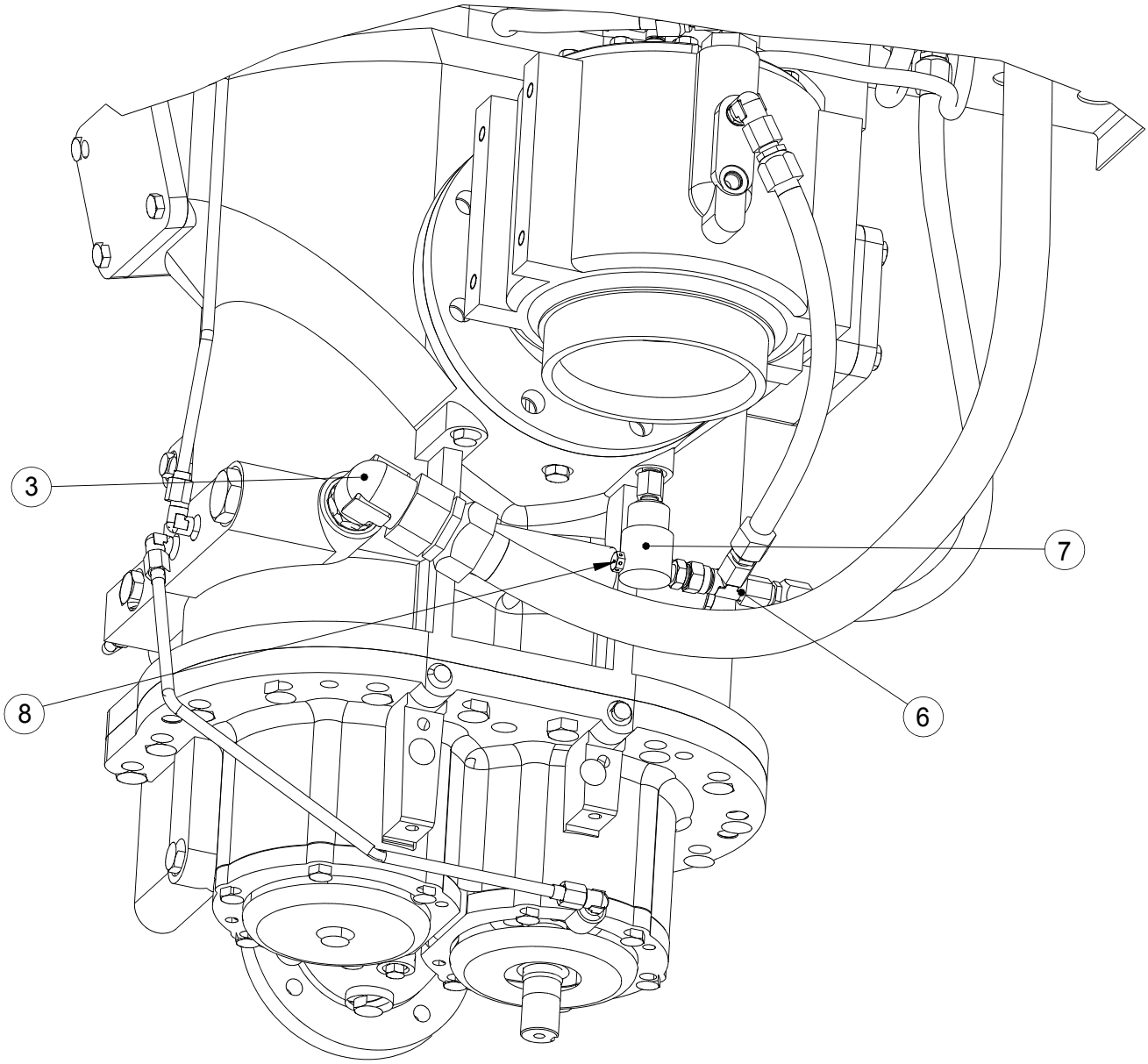
Air End Piping



23356801_08/08_A

ITEM	COMM. NO.	DESCRIPTION	QTY	DIMENSIONS/NOTES
1	23283005	Fitting, Bulkhead	1	
2	36792018	Hose Assembly	1	
3	39476973	Elbow	1	
4	35287929	Tee, Run	2	
5	35314145	Hose Assembly	1	
6	35322379	Elbow	1	
7	35322379	Valve, Blowdown	1	
	35379064	Diapharm Repair Kit	1	
8	36766756	Muffler, Orifice (.140)	1	
9	35285451	Fitting, Bulkhead	1	
10	35283043	Hose Assembly	1	
11	35287937	Elbow	1	
	35278571	O-ring	1	
12	35336189	Fitting, Bulkhead	1	
13	35282995	Hose Assembly	1	
14	35279850	Tee, Run	1	
	35278571	O-ring	1	
15	35282961	Hose Assembly	1	
16	35283068	Elbow	1	
17	36840460	Valve, Check (.040)	1	
18	95365151	Connector	1	
19	35282912	Hose Assembly	1	
20	95365094	Elbow	1	
21	35282912	Hose Assembly	1	
22	23283013	Elbow	1	
23	36765782	Gage, 400 psi	1	
24	35299734	Reducer	1	
25	35296219	Nut	1	
26	95387932	Cap	1	
27	95257333	Cap	1	
28	95257325	Cap	1	
29	35321389	Cap	1	

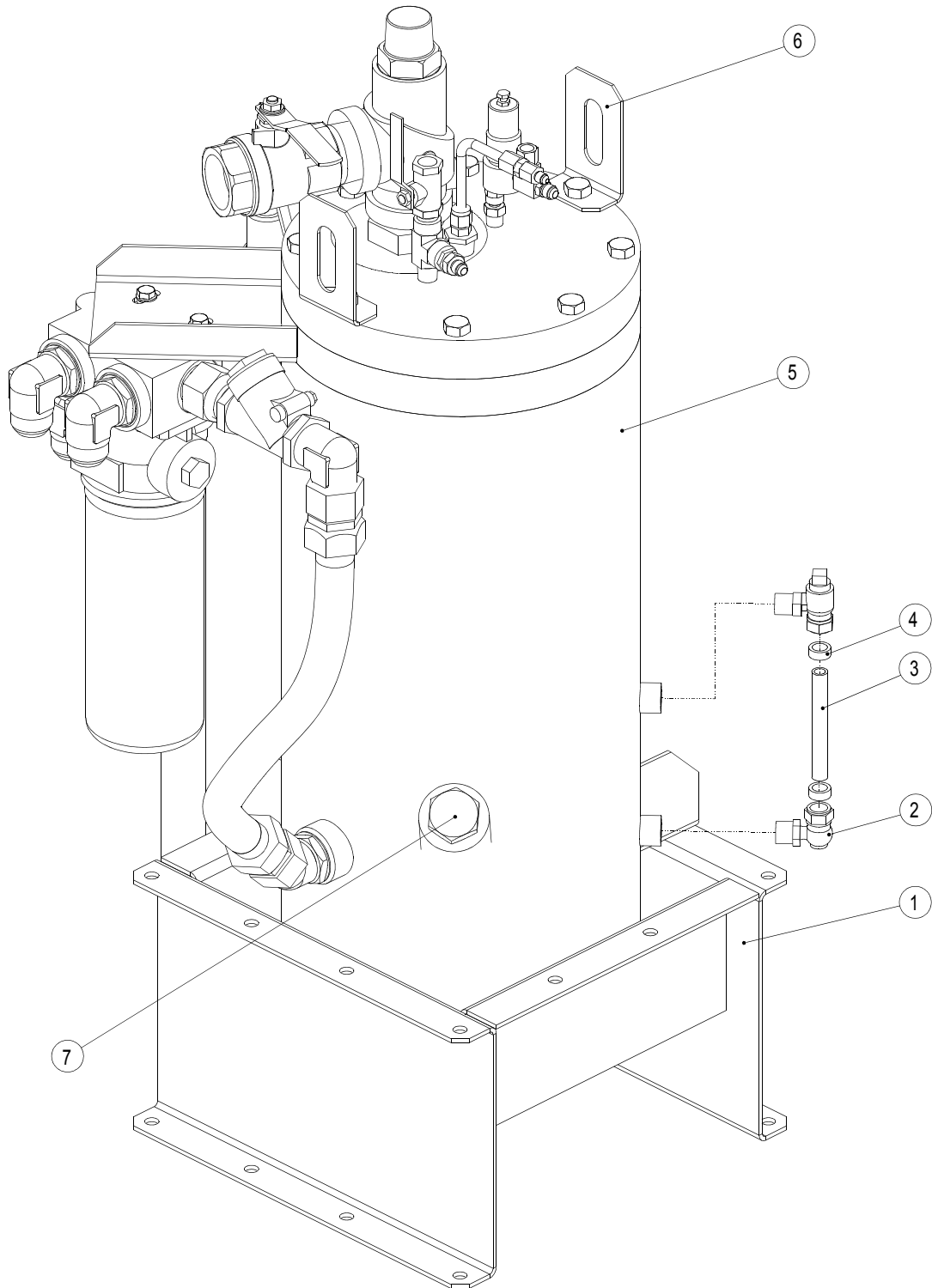
Air End Piping



23356801_08/08_A

ITEM	COMM. NO.	DESCRIPTION	QTY	DIMENSIONS/NOTES
1	23283005	Fitting, Bulkhead	1	
2	36792018	Hose Assembly	1	
3	39476973	Elbow	1	
4	35287929	Tee, Run	2	
5	35314145	Hose Assembly	1	
6	35322379	Elbow	1	
7	35322379	Valve, Blowdown	1	
	35379064	Diapharm Repair Kit	1	
8	36766756	Muffler, Orifice (.140)	1	
9	35285451	Fitting, Bulkhead	1	
10	35283043	Hose Assembly	1	
11	35287937	Elbow	1	
	35278571	O-ring	1	
12	35336189	Fitting, Bulkhead	1	
13	35282995	Hose Assembly	1	
14	35279850	Tee, Run	1	
	35278571	O-ring	1	
15	35282961	Hose Assembly	1	
16	35283068	Elbow	1	
17	36840460	Valve, Check (.040)	1	
18	95365151	Connector	1	
19	35282912	Hose Assembly	1	
20	95365094	Elbow	1	
21	35282912	Hose Assembly	1	
22	23283013	Elbow	1	
23	36765782	Gage, 400 psi	1	

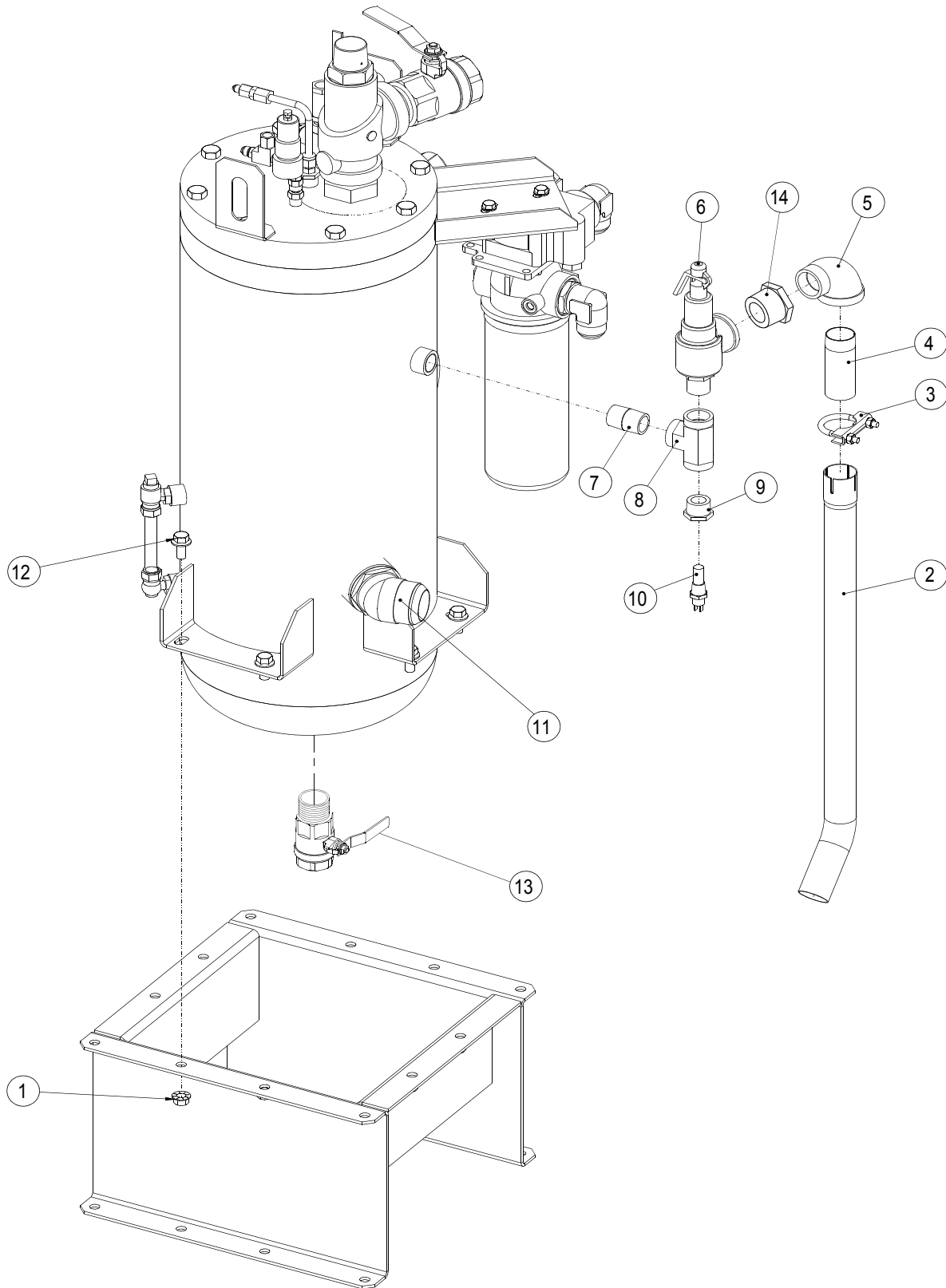
Separator Tank Assembly



23356801_08/08_A

ITEM	COMM. NO.	DESCRIPTION	QTY	DIMENSIONS/NOTES
1	43210491	Stand, Separator Tank	1	
2	36860468	Fitting, Sight Glass	2	
3	92121532	Tube, Sight Glass	1	
4	35324649	Gasket, Sight Glass	2	
5	54466735	Tank, Separator	1	
6	36785012	Bracket, Lifting	2	
7	35579630	Plug, Oil Fill	1	
	35279942	O-ring, Filler Plug	1	

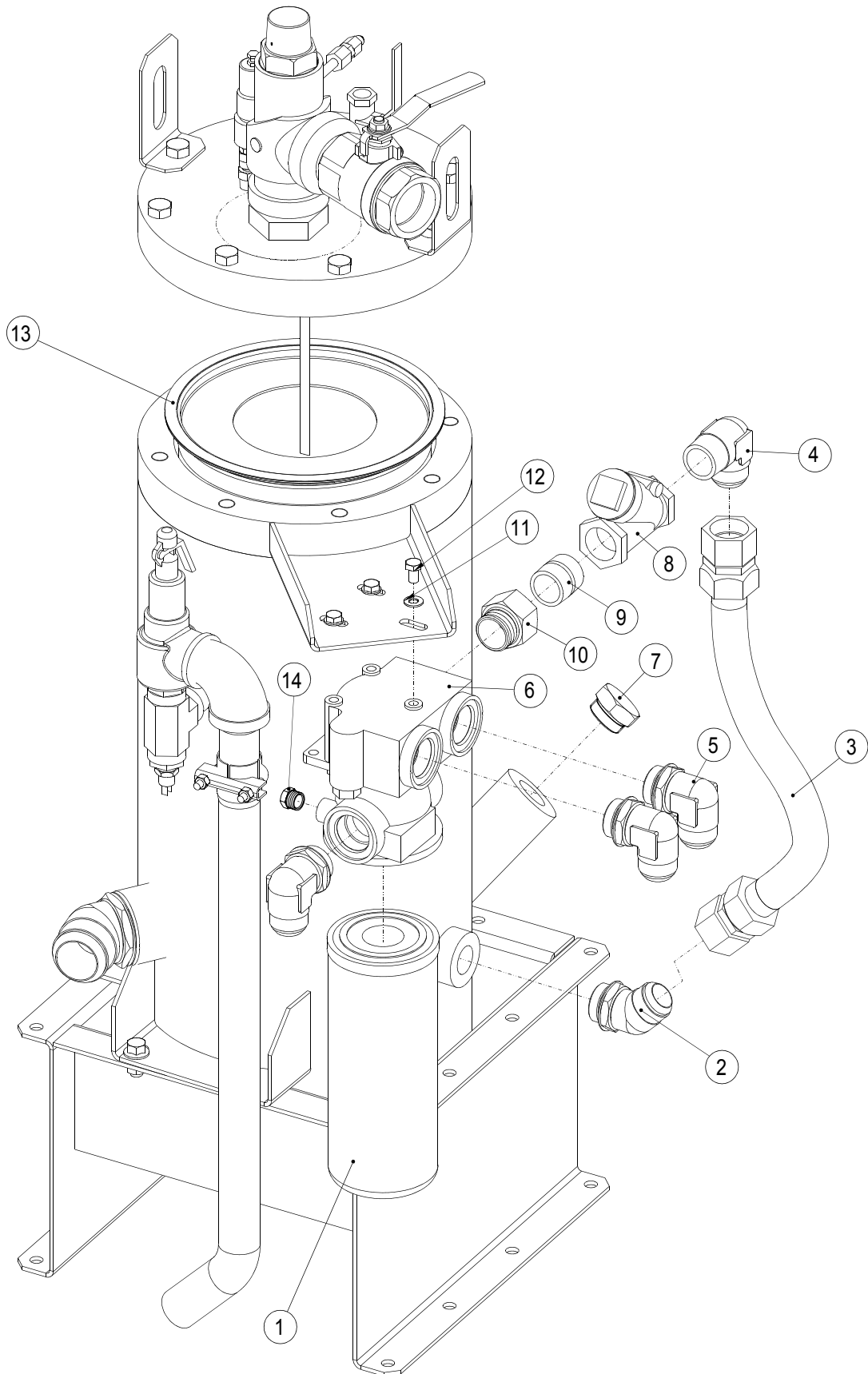
Separator Tank Assembly



23356801_08/08_A

ITEM	COMM. NO.	DESCRIPTION	QTY	DIMENSIONS/NOTES
1	35252618	Nut	4	
2	54744156	Pipe, Discharge	1	
3	35261155	Clamp, Muffler	1	
4	36762821	Nipple, Pipe	1	
5	95944104	Elbow, Street	1	
6	35596972	Valve, Safety	1	
7	95951422	Nipple	1	
8	95414447	Tee, Pipe	1	
9	95940060	Bushing	1	
10	36865756	Switch, Temperature	1	
11	95944732	Elbow	1	
12	35252758	Screw	4	
13	36795680	Valve, Oil Drain	1	
14	95953824	Bushing	1	

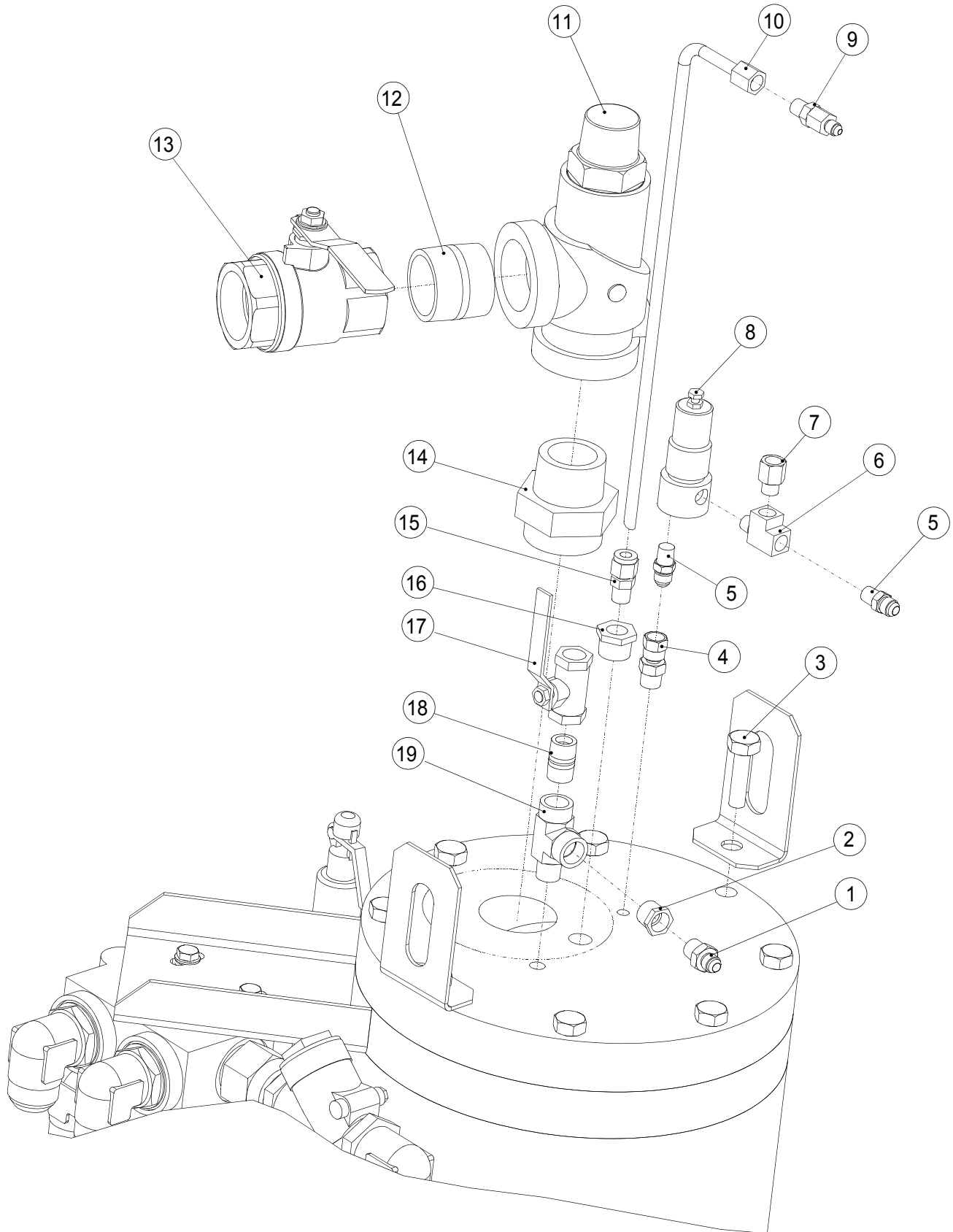
Separator Tank Assembly



23356801_08/08_A

ITEM	COMM. NO.	DESCRIPTION	QTY	DIMENSIONS/NOTES
1	36860336	Filter, Oil	1	
2	35283191	Elbow	1	
	35279942	O-ring	1	
3	35108638	Hose Assembly	1	
4	95219861	Elbow	1	
5	35279777	Elbow	3	
	35279942	O-ring	3	
6	36871689	Valve, By-pass	1	
	35388024	Relief Valve Kit	1	
	35388032	Element Kit	1	
	35388040	O-ring Kit	1	
7	35579630	Plug, Oil Filler	1	
8	95279667	Valve, Check	1	
9	95953709	Nipple	1	
10	35290154	Adapter	1	
11	95935037	Washer	3	
12	96701479	Screw	3	
13	22402309	Element, Separator	1	
14	95991717	Plug	1	

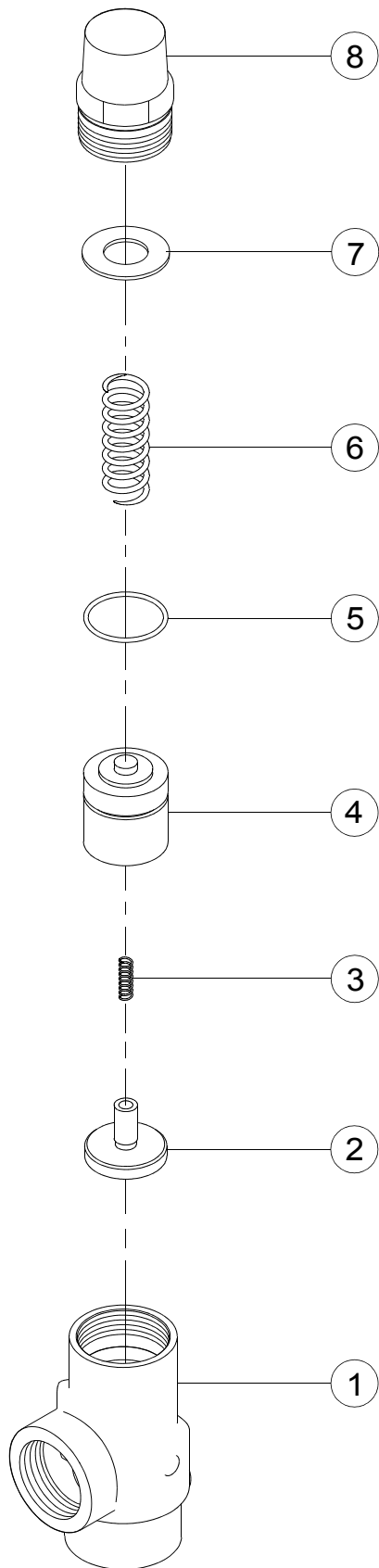
Separator Tank Assembly



23356801_08/08_A

ITEM	COMM. NO.	DESCRIPTION	QTY	DIMENSIONS/NOTES
1	35290147	Connector	1	
2	95952248	Bushing, Reducing	1	
3	95930723	Screw	8	
4	35368927	Connector	1	
5	35284082	Connector	2	
6	35114545	Tee	1	
7	36766731	Orifice (.156)	1	
8	36896892	Regulator, Pressure	1	
9	36840437	Valve, Check	1	
10	36794147	Tube, Scavenge	1	
11	35598770	Valve, Minimum Pressure	1	
12	95091625	Nipple	1	
13	35602473	Valve, Ball	1	
14	43212901	Adapter	1	
15	35329309	Fitting	1	
16	95953956	Bushing	1	
17	35581792	Valve, Ball	1	
18	95934279	Nipple	1	
19	35301373	Tee, Run	1	

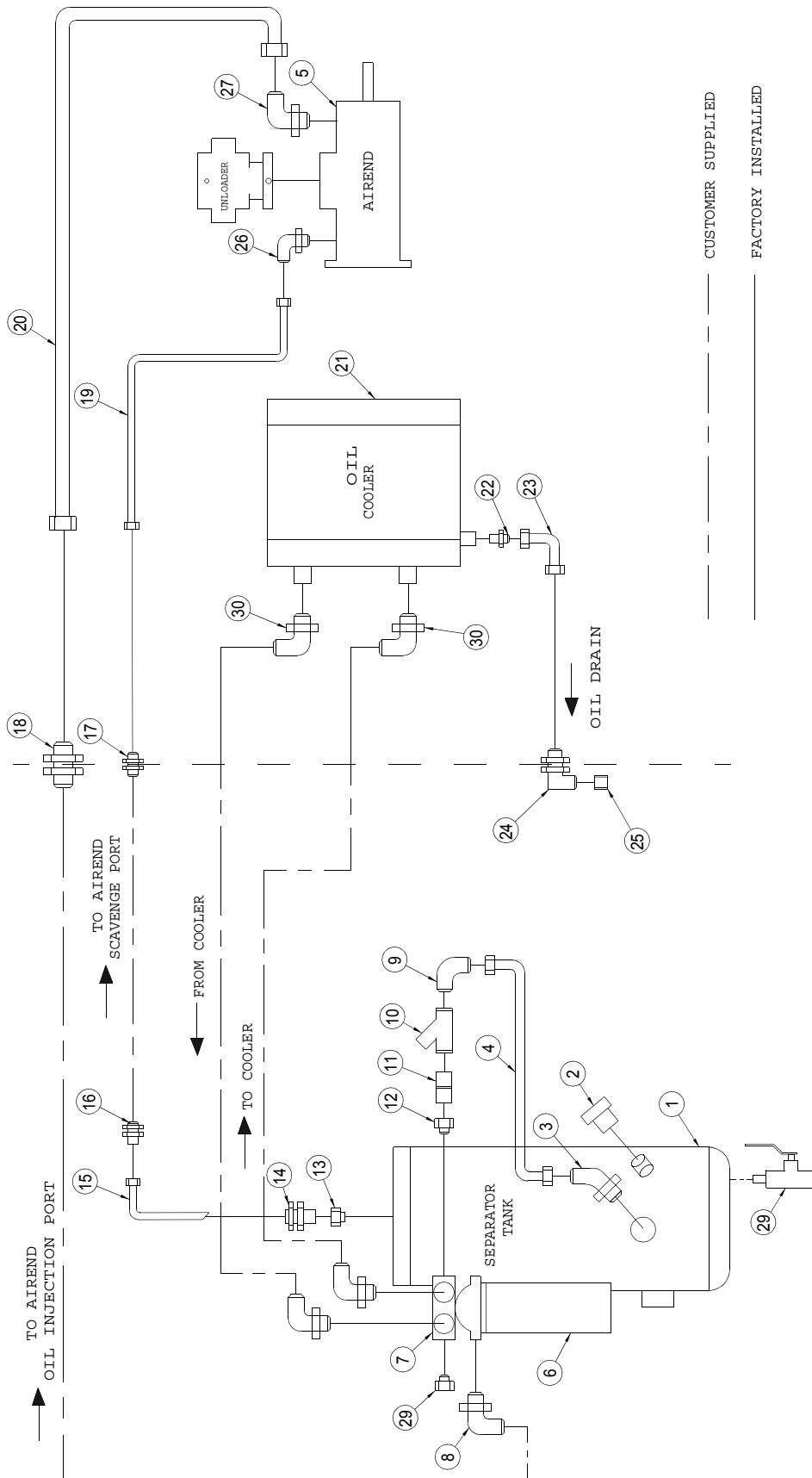
Minimum Pressure Check Valve



23356801_08/08_A

ITEM	COMM. NO.	DESCRIPTION	QTY	DIMENSIONS/NOTES
1	35367333	Body, Valve	1	
2	35367317	Check Valve Assembly	1	
3	35367358	Spring, Small	1	
4	35367325	Piston, Valve	1	
5	35367374	O-ring	1	
6	35367366	Spring, Large	1	
7	95935003	Washer, Spacer	1	
8	22242150	Cap	1	

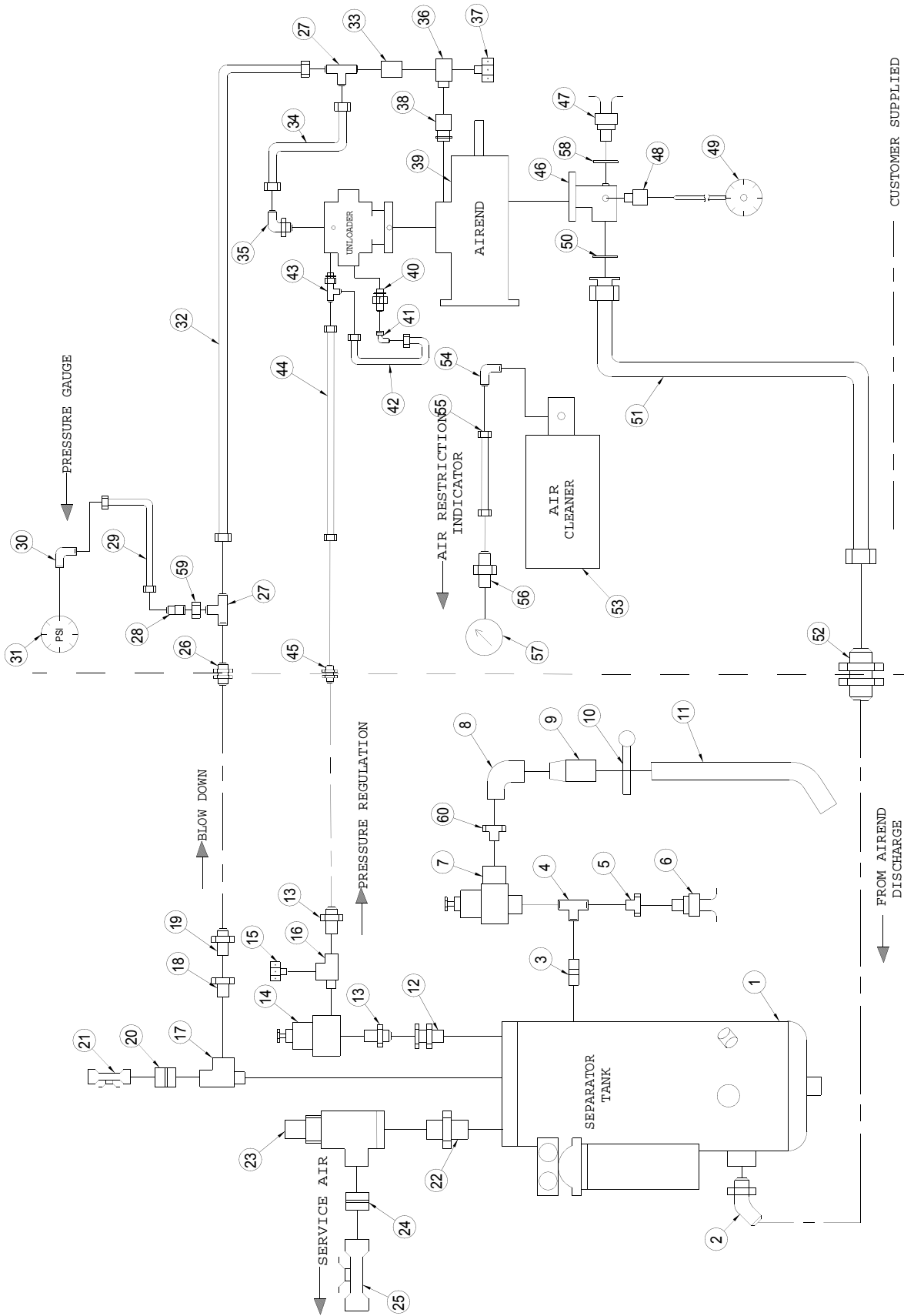
Oil Piping



23356801_08/08_A

ITEM	COMM. NO.	DESCRIPTION	QTY	DIMENSIONS/NOTES
1	54466735	Tank, Separator	1	
2	35579630	Plug, Oil Filler	1	
3	35283191	Elbow	1	
4	35108638	Hose Assembly	1	
5		Air End	1	
6	36860336	Element, Oil Filter	1	
7	36871689	Valve, By-pass	1	
8	35279777	Elbow	1	
9	95219861	Elbow	1	
10	95279667	Valve, Check	1	
11	95953709	Nipple	1	
12	35290154	Adapter	1	
13	95953956	Bushing	1	
14	35329309	Fitting, Lenz	1	
15	36794147	Tube, Scavenge	1	
16	36840437	Valve, Check	1	
17	95365151	Connector	1	
18	23283005	Fitting, Bulkhead	1	
19	35282912	Hose Assembly	1	
20	36792018	Hose Assembly	1	
21	43210640	Cooler Assembly	1	
22	35284082	Connector	1	
23	35282961	Hose Assembly	1	
24	36852499	Elbow	1	
25	95984175	Cap	1	
26	95965094	Elbow	1	
27	39476973	Elbow	1	
28	36795680	Valve, Oil Drain	1	
29	95991717	Plug	1	
30	95431292	Elbow	2	

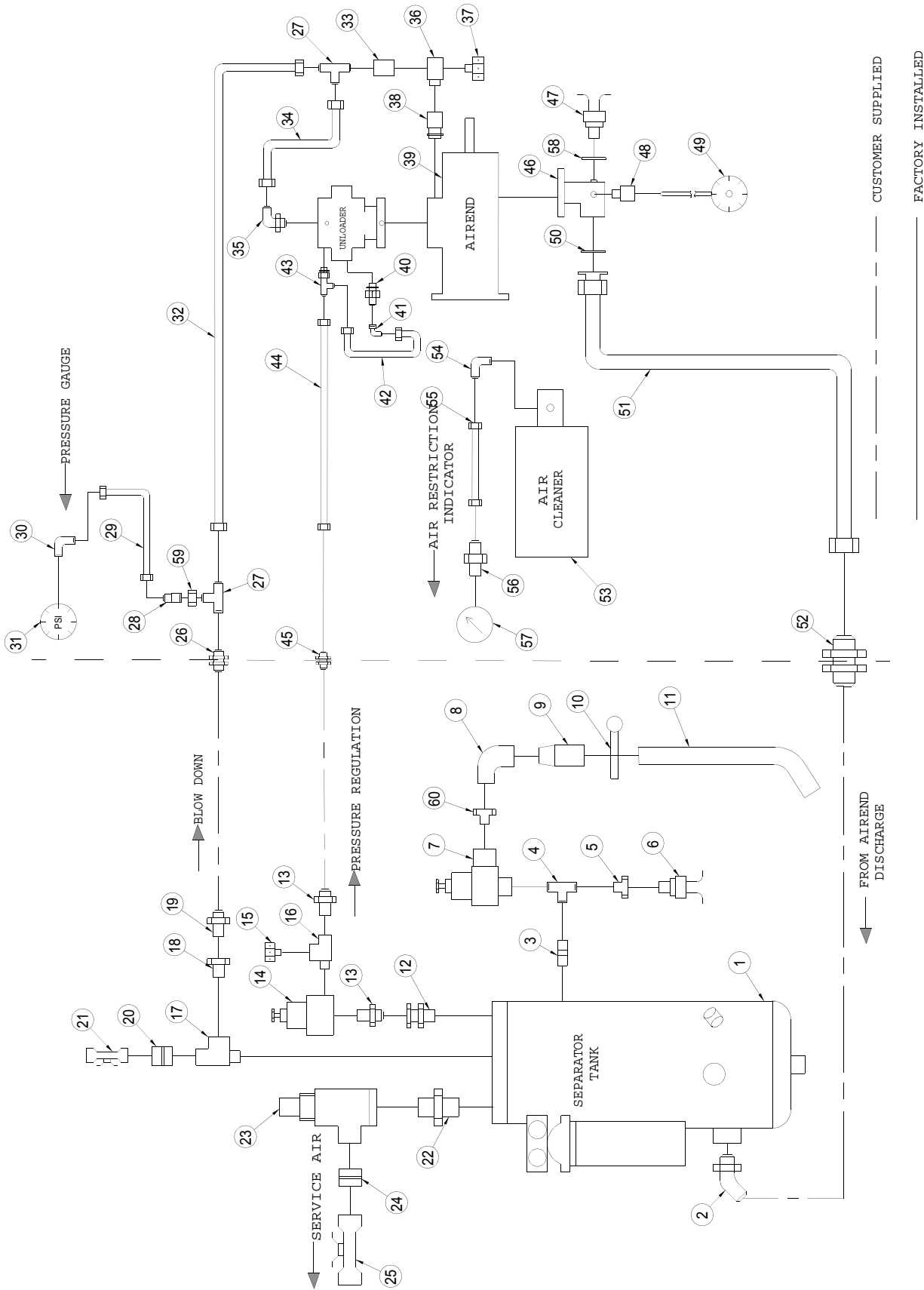
Air Piping



23356801_08/08_A

ITEM	COMM. NO.	DESCRIPTION	QTY	DIMENSIONS/NOTES
1	54466735	Tank, Separator	1	
2	95944732	Elbow	1	
3	95951422	Nipple	1	
4	95414447	Tee, Run	1	
5	95940060	Bushing	1	
6	36865756	Switch, Temperature	1	
7	35596972	Valve, Safety	1	
8	95944104	Elbow	1	
9	36762821	Nipple	1	
10	35261155	Clamp	1	
11	54744156	Pipe, Safety Valve	1	
12	35368927	Bushing	1	
13	35284082	Connector	1	
14	36896892	Valve, Pressure	1	
15	36766731	Connector, Orifice	1	
16	35114545	Tee	1	
17	35301373	Tee	1	
18	95952248	Bushing	1	
19	35290147	Connector	1	
20	95934279	Nipple	1	
21	35581792	Valve, Ball	1	
22	43212901	Adapter	1	
23	35598770	Valve, Minimum Pressure	1	
24	95091625	Nipple	1	
25	35602473	Valve, Ball	1	
26	35285451	Fitting, Bulkhead	1	
27	35287929	Tee	1	
28	35299734	Reducer	1	
29	35282912	Hose Assembly	1	
30	23283013	Elbow	1	
31	36765782	Gage, 400 psi Pressure	1	
32	35314145	Hose Assembly	1	
33	35283134	Connector	1	
34	35283043	Hose Assembly	1	
35	35287937	Elbow	1	
36	35322379	Valve, Blowdown	1	
37	36766756	Muffler, Orifice (.140")	1	
38	35302314	Adapter	1	
39		Air End Assembly	1	
40	36840460	Valve, Check (.40")	1	
41	35283068	Elbow	1	
42	35282961	Hose Assembly	1	

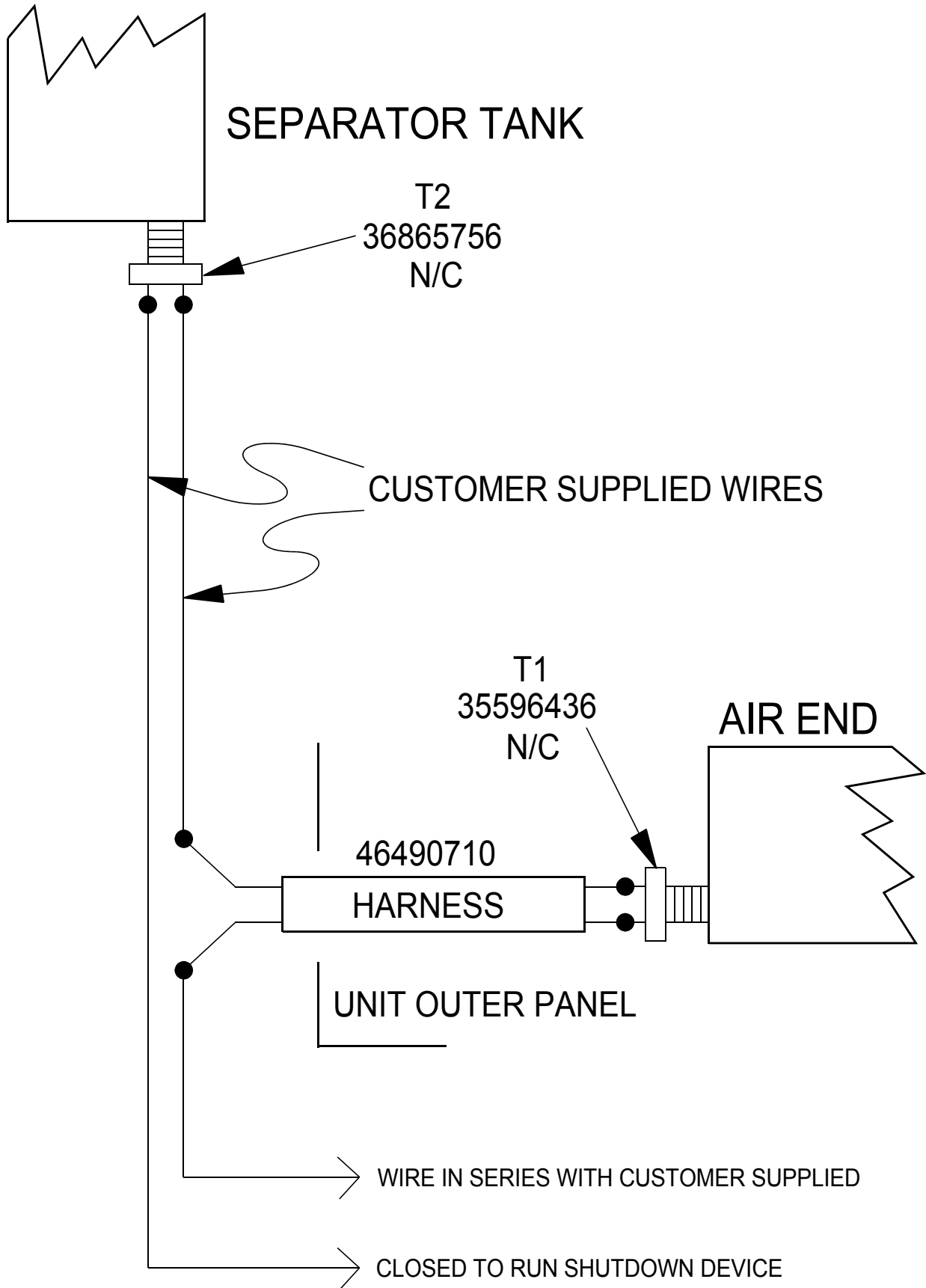
Air Piping



23356801_08/08_A

ITEM	COMM. NO.	DESCRIPTION	QTY	DIMENSIONS/NOTES
43	35279850	Tee, Run	1	
44	35282995	Hose Assembly	1	
45	35336189	Fitting, Bulkhead	1	
46	22247340	Elbow, Discharge	1	
47	35596436	Switch, Temperature	1	
48	35371681	Connector	1	
49	36765790	Gage, Temperature	1	
50	95357976	O-ring	1	
51	23282973	Pipe, Discharge	1	
52	95976973	Fitting, Bulkhead	1	
53	36866242	Cleaner, Air	1	
54	35301225	Elbow	1	
55	35283258	Hose Assembly	1	
56	95287629	Adapter	1	
57	35314939	Indicator, Restriction	1	
58	35278589	O-ring	1	
59	35296219	Nut	1	
60	95953824	Bushing	1	

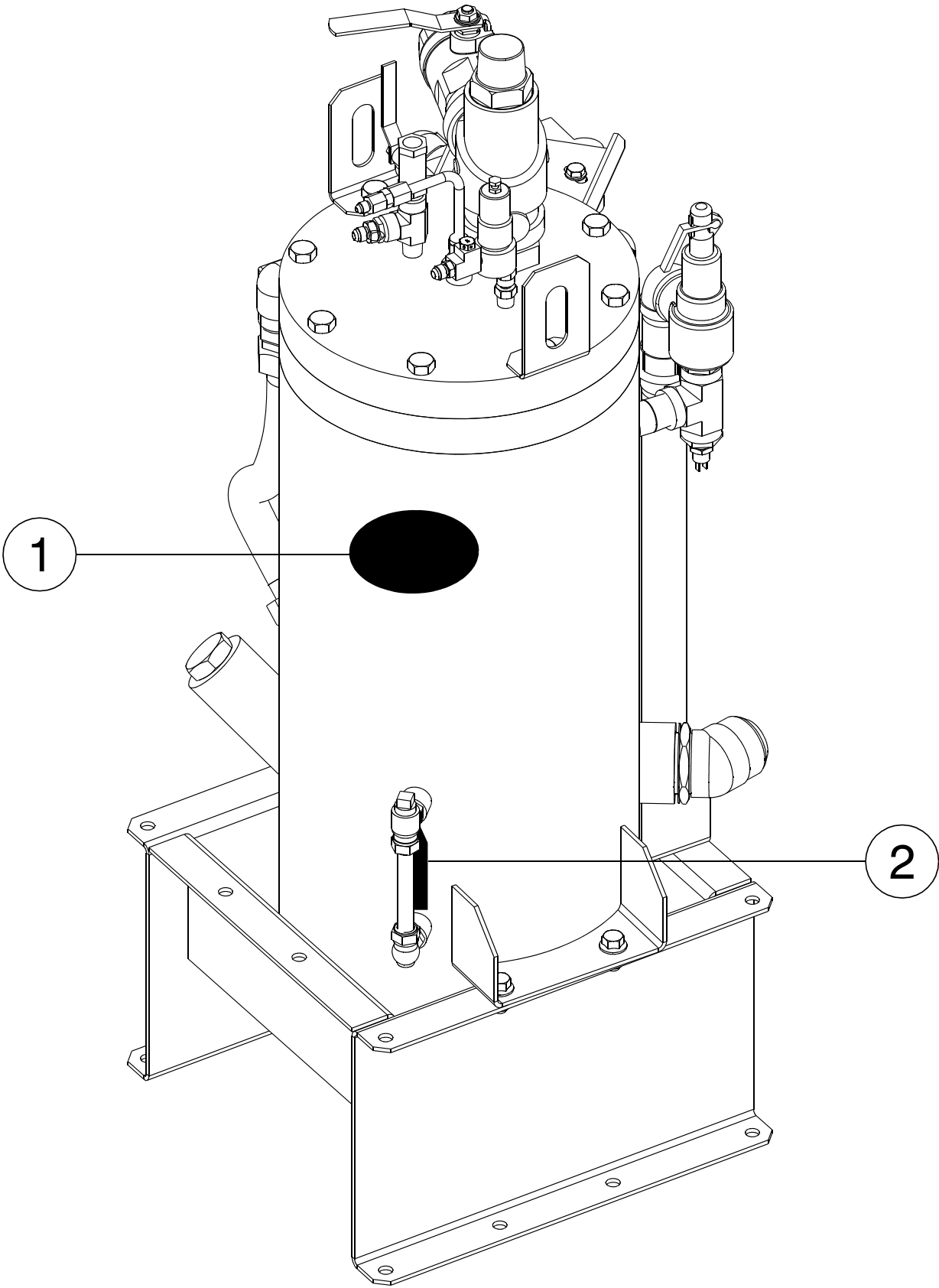
Wiring Diagram



23356801_08/08_A

ITEM	COMM. NO.	DESCRIPTION	QTY	DIMENSIONS/NOTES

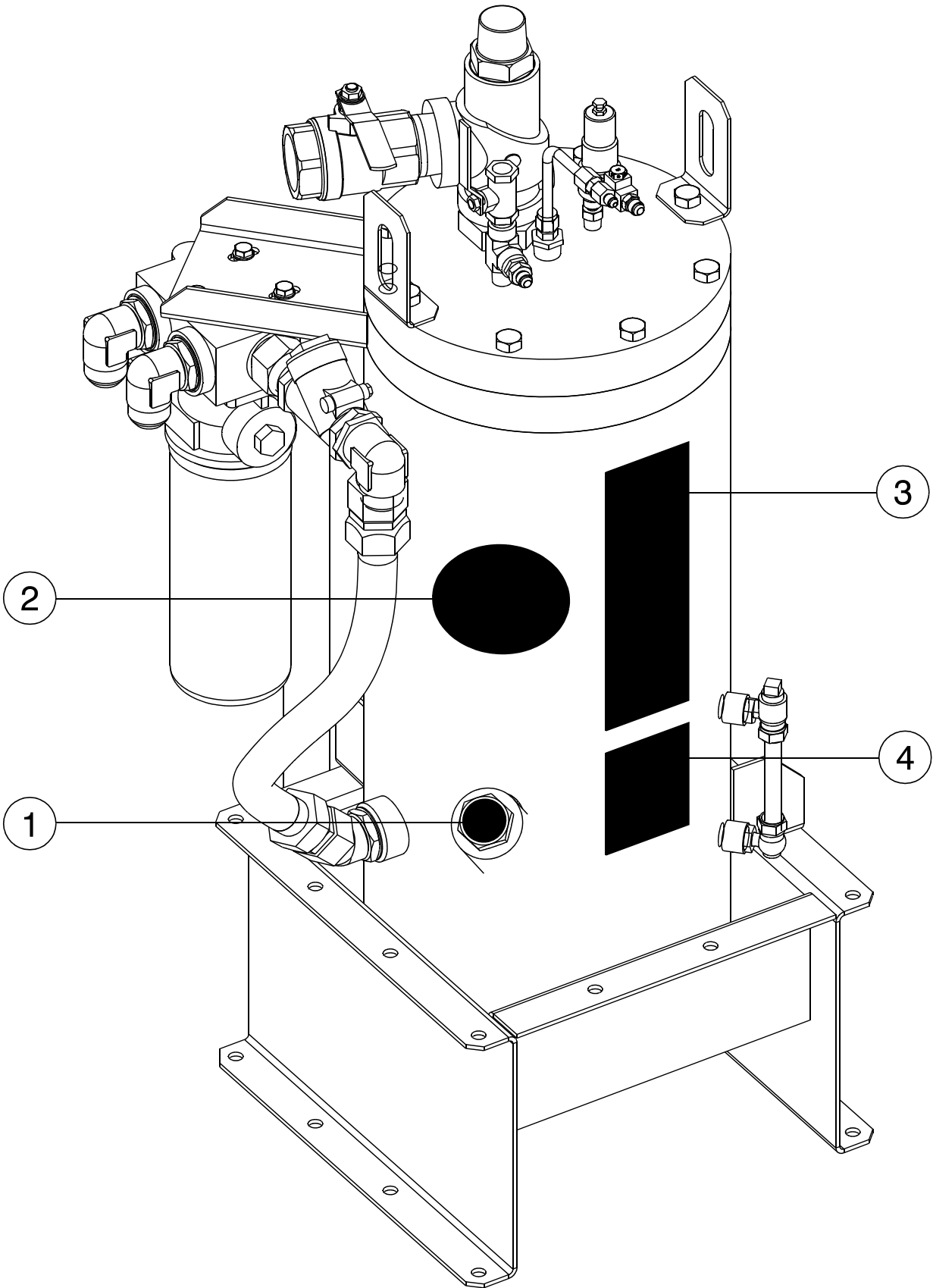
Decal Location



23356801_08/08_A

ITEM	COMM. NO.	DESCRIPTION	QTY	DIMENSIONS/NOTES
1	54640024	Decal, Genuine Parts	1	
2	36512739	Decal, Oil Level	1	

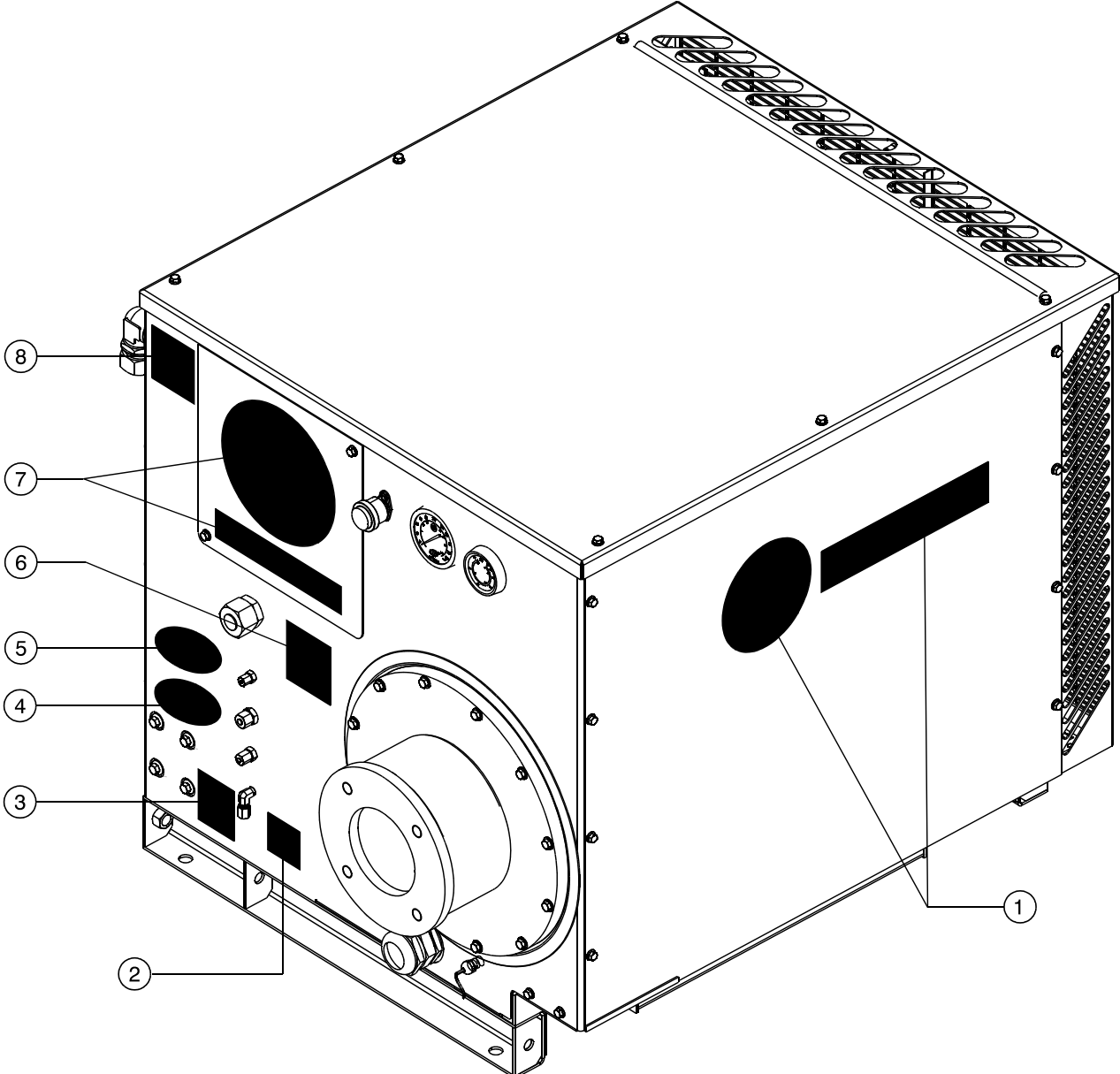
Decal Location



23356801_08/08_A

ITEM	COMM. NO.	DESCRIPTION	QTY	DIMENSIONS/NOTES
1	54604970	Decal, Oil Fill Plug	1	
2	54638333	Decal, I-R Swoosh	1	
3	54629944	Decal, 3-Part Safety	1	
4	54568795	Decal, High Pressure Air	1	

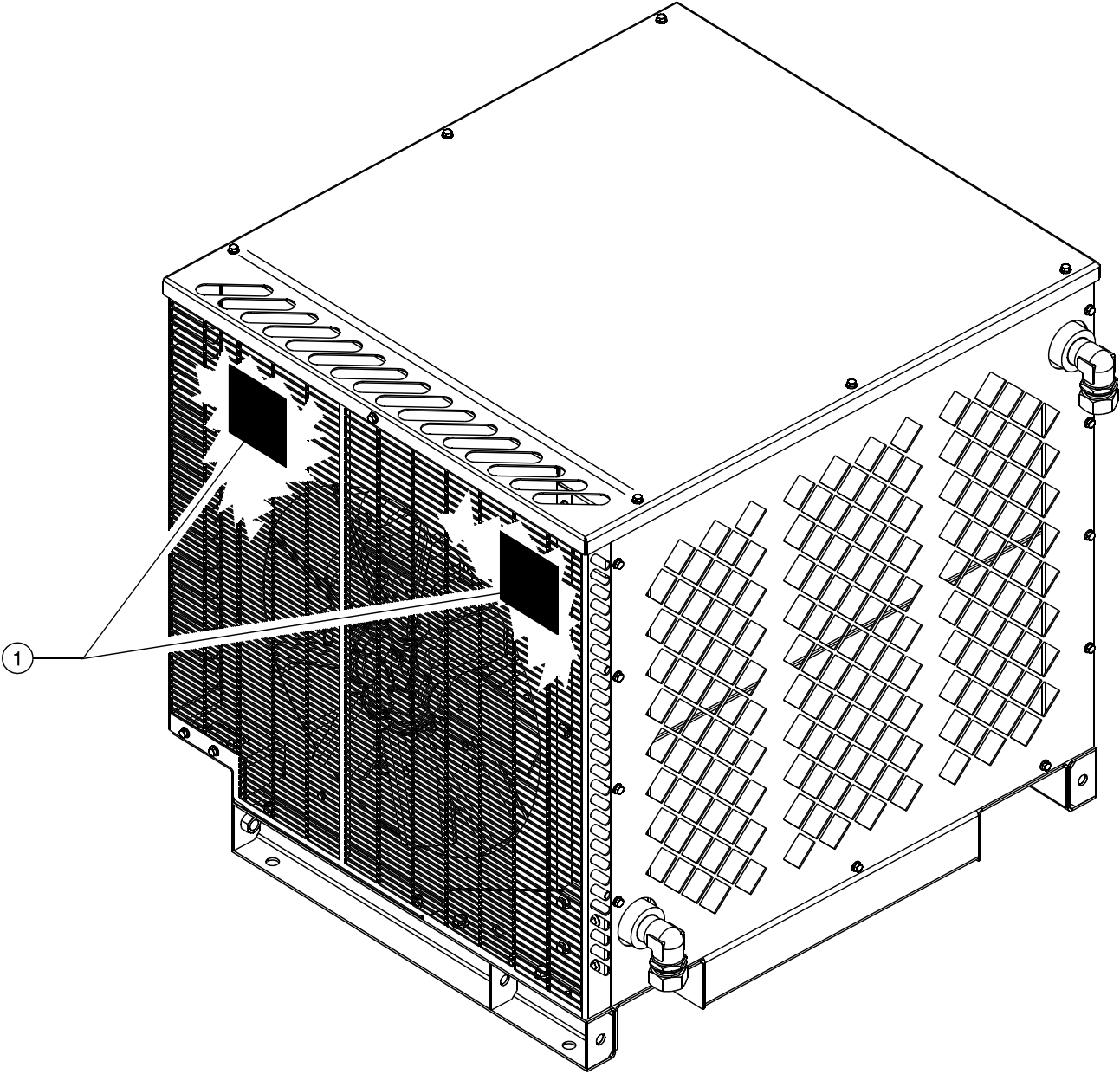
Decal Location



23356801_08/08_A

ITEM	COMM. NO.	DESCRIPTION	QTY	DIMENSIONS/NOTES
1	22713648	Decal, I-R Logo	1	
2	54568787	Decal, Improper Operation	1	
3	36520310	Decal, Notice Dropping	1	
4	54640164	Decal, Air End Warranty	1	
5	54640024	Decal, Genuine Parts	1	
6	46491049	Decal, Interface	1	
7	54638333	Decal, I-R Swoosh	1	
8	43215037	Decal, Maximum Speed	1	

Decal Location



23356801_08/08_A

ITEM	COMM. NO.	DESCRIPTION	QTY	DIMENSIONS/NOTES
1	54568779	Decal, Rotating Fan	2	

P
Parts Ordering 3





Doosan Infracore Portable Power
1293 Glenway Drive
Statesville, NC 28625-9218
www.doosanportablepower.com