



# PARTS CATALOG

## **DIESEL ENGINE**

### **4TNV98-ZNIRE**

(Ingersoll Rand Co.,Ltd)

*Doosan purchased Bobcat Company from Ingersoll-Rand Company in 2007. Any reference to Ingersoll-Rand Company or use of trademarks, service marks, logos, or other proprietary identifying marks belonging to Ingersoll-Rand Company in this manual is historical or nominative in nature, and is not meant to suggest a current affiliation between Ingersoll-Rand Company and Doosan Company or the products of either.*

**Revised (10-12)**

Published

Jun.,2008

000Y00W3790

# P R E F A C E

1. This Parts catalog is the 1st edition of 4TNV98-ZNIRE for Ingersoll Rand Co., Ltd.

Pub.No. : 000Y00W3790

Published : June, 2008

2. Model name

Engine model	Vehicle	Vehicle made by
4TNV98-ZNIRE	COMPRESSOR	Ingersoll Rand Co., Ltd.

## Directions for the Parts Catalog.

1. The parts stipulated in this Parts Catalog are not necessarily standard equipped parts.
2. Parts may change without prior notice.
3. The following is an example of the Parts Catalog format.

Y00F2161 29. FUEL INJECTION PUMP (W/BOOST)								(A)=4JH-DT	(D)=4JH-DTZA		
REF.	LEV.	PARTS No.	DESCRIPTION	QTY						I	R
				(A)	(B)	(C)	(D)	(E)	(F)		
1		729595-51390	FUEL INJECTION PUMP	1	1	1	1	1	1		
1-1	1	729595-51391	FUEL INJECTION PUMP	1	1	1	1	1	1		N 1
		(A=E00185) (B=E00200)									
3	2	26022-060162	SCREW M 6X16	9	9	9	9	9	9		
3-1	2	26022-060162	SCREW M 6X16	4	4	4	4	4	4		K
		(A=E00156) (B=E00156) (C=E00156) (D=E00156) (E=E00156)									
4	2	129470-51040	CAMSHIFT	9	9	9	9	9	9		
5	2	122710-51050	BEARING. ROLLER	9	9	9	9	9	9		
6	2	129470-51060	RETAINER	9	9	9	9	9	9		

Remarks	
(1)	BOOST COMPEMSATOR TYPE. OPTIONAL PART. TO E/#00155 (4JH-DT, 4JH-DTZ)

### ① Ref. No.

The Ref. No. listed may not be in accordance with the illustration Ref. No.

(Ex.) Illustration No. List Ref No.

1 1 (Before change) → 1-1 (After change)

For interchangeable symbols N, R and K, illustrations for new parts may be abbreviated.

### ② Lev. (Level)

Level indication

The numbers below indicate the level of relativity towards the main part.

1 ---- Main parts (Assembly parts)

2 ---- Sub component included in " 1 ".

3 ---- Sub component included in " 2 ".

Note) Parts that are not for sale are partially illustrated but not listed.

### ③ Change Mark

The "I" indicates parts that were newly changed.

### ④ Interchangeability Mark

When a part change takes place, one of the following interchangeability symbols is indicated beside the part.

Symbol	Interchangeability	Contents note
N	Old $\begin{matrix} \leftarrow \text{Yes} \\ \text{No} \rightarrow \end{matrix}$ New	New Part is interchangeable for Old Part but Old Part is not interchangeable for New Part.
Q	Old $\begin{matrix} \text{No} \leftarrow \\ \text{Yes} \rightarrow \end{matrix}$ New	New Part is not interchangeable for Old Part but Old Part is interchangeable for New Part.
R	Old $\begin{matrix} \leftarrow \text{Yes} \\ \text{Yes} \rightarrow \end{matrix}$ New	New/ Old Parts are both interchangeable.
S	Old $\begin{matrix} \text{No} \leftarrow \\ \text{No} \rightarrow \end{matrix}$ New	New/ Old Parts are both not interchangeable.
W		Part discontinued.
Z		Part newly added.
F		Not interchangeable by a single part but interchangeable together with related parts.
K		Changes only for used parts quantities.

### ⑤ Effective Machine No.

When a part changes, the effective Machine No. will be indicated in the (A)-(F) column.

Product Symbol	Product No.	Product Symbol	Product No.
C	Clutch No. Compressor No.	F	Machine No. (Agricultural Equip.)
D	Drive No.	M	Machine No.
E	Engine No.	Note 1)	Date

Note 1) A date may follow the symbol. (Ex.) 1996.01

Note 2) " XXX " are for parts that could not be predicted or for engine models that could not be identified.

Note 3) (A=E/#00185) is the E/# (Engine Serial Number) for the column (A) model (in this case 4JH-DT) after the parts design change.

### ⑥ Remarks Mark

Figures or alphabets (symbols) are entered in the remarks column.

The comments (remarks) on parts that are indicated at the bottom of the illustration are the same symbols as those stated above.

# CONTENTS

MODEL : 4TNV98-ZNIRE  
PC NO : Y00W3790

Fig.No. GROUP NAME  
4TNV98-ZNIRE

Fig.No. GROUP NAME

1. CYLINDER BLOCK
2. GEAR HOUSING
3. FLYWHEEL HOUSING & OIL SUMP
4. CYLINDER HEAD & BONNET
5. SUCTION MANIFOLD
6. EXHAUST MANIFOLD
7. CAMSHAFT & DRIVING GEAR
8. CRANKSHAFT & PISTON
9. LUB.OIL SYSTEM
10. COOLING WATER SYSTEM
11. FUEL INJECTION PUMP
12. GOVERNOR
13. FUEL INJECTION VALVE
14. FUEL LINE
15. STARTING MOTOR
16. GENERATOR
17. ELECTRIC PARTS
18. GASKET SET

Fig.1. CYLINDER BLOCK

(A)=4TNV98-ZNIRE

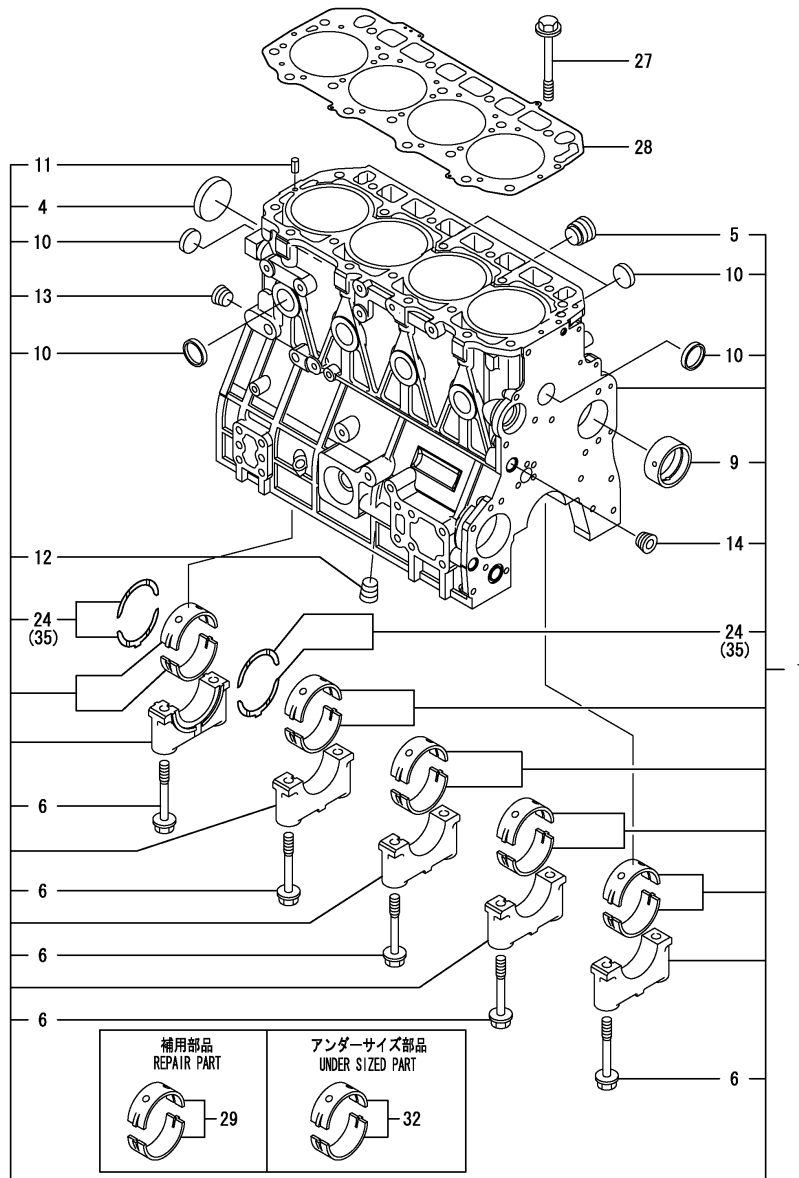
(B)=

(C)=

(D)=

(E)=

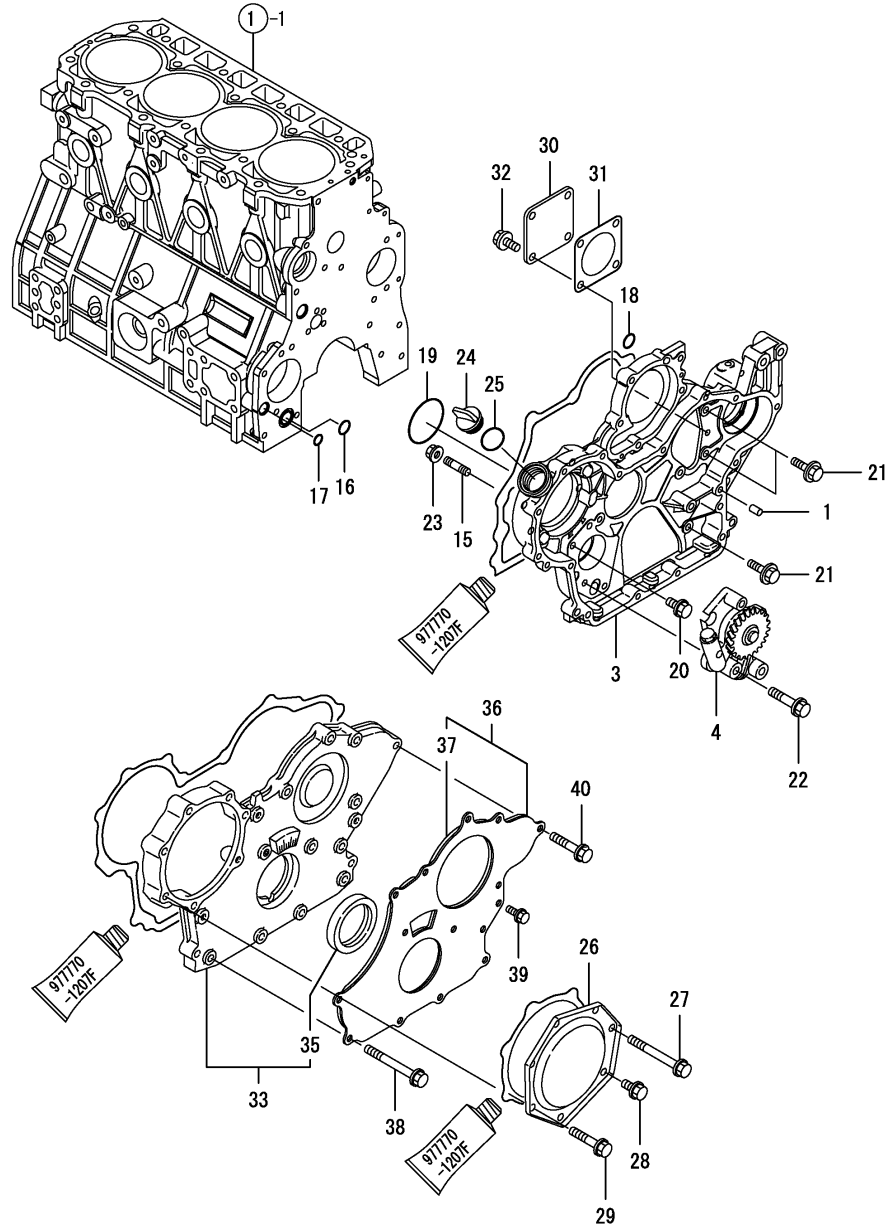
(F)=



REF.	LEV.	PARTS NO.	DESCRIPTION	Q'TY						I	R
				(A)	(B)	(C)	(D)	(E)	(F)		
1	1	729927-01560	BLOCK ASSY, CYLINDER	1							
4	2	129900-01250	PLUG 55	1							
5	2	171051-01921	PLUG	1							
6	2	129900-02020	BOLT, METAL CAP	10							
9	2	129900-02410	BUSH, CAMSHAFT	1							
10	2	27241-300000	PLUG 30	8							
11	2	22351-060012	SPRING PIN 6X12	2							
12	2	23876-030000	PLUG PT3/8,SCREW	1							
13	2	23876-030000	PLUG PT3/8,SCREW	1							
14	2	23876-030000	PLUG PT3/8,SCREW	1							
24	2	129900-02931	BEARING ASSY, THRUST	2							
27	1	129900-01200	BOLT, HEAD	18							
28	1	129907-01331	GASKET,CYLINDER HEAD	1							
29	1	729900-02801	MAIN BEARING SET	5							1
32	1	129900-02341	MAIN BEARING US=0.25	5							2
35	1	129900-02941	BEARING,THRUST .25OS	2							3

Remarks  
 (1) REPAIR PART.  
 (2) UNDER-SIZED(U.S.=0.25)PART.  
 (3) OVER-SIZED(O.S.=0.25)PART.

Fig.2. GEAR HOUSING



(A)=4TNV98-ZNIRE

(B)=

(C)=

(D)=

(E)=

(F)=

REF.	LEV.	PARTS NO.	DESCRIPTION	Q'TY						I	R
				(A)	(B)	(C)	(D)	(E)	(F)		
1	1	129100-01580	PARALLEL PIN 8X16	4							
3	1	129907-01500	HOUSING,GEARS	1							
4	1	129900-32001	PUMP ASSY, LUB.OIL	1							
15	1	26216-100302	STUD BOLT	4							
16	1	129900-32030	O-RING P20	1							
17	1	129900-32040	O-RING P14	1							
18	1	24311-000070	O-RING 1A P-7.0	1							
19	1	24351-030750	PACKING, 3075	1							
20	1	26106-080162	BOLT M 8X 16 PLATED	1							
21	1	26106-080202	BOLT M 8X 20 PLATED	3							
22	1	26106-080452	BOLT M 8X 45 PLATED	3							
23	1	26306-100002	NUT	4							
24	1	124160-01751	COVER,FILLER	1							
25	1	24311-000320	O-RING 1A P-32.0	1							
26	1	129900-01740	COVER, F.I. PUMP	1							
27	1	129001-91810	BOLT M 8X 70 PLATED	1							
28	1	26106-080162	BOLT M 8X 16 PLATED	1							
29	1	26106-080402	BOLT M 8X 40 PLATED	5							
30	1	124240-01871	COVER, HO-P	1							
31	1	124240-01883	GASKET, (NON-ASB.)	1							
32	1	26106-080162	BOLT M 8X 16 PLATED	4							
33	1	729906-01550	HOUSING ASSY,COVER,G	1							
35	2	129916-01800	SEAL, OIL	1							
36	1	129900-01850	COVER ASSY	1							
37	2	129900-01870	SPONGE	1							
38	1	129001-91810	BOLT M 8X 70 PLATED	6							
39	1	26106-080162	BOLT M 8X 16 PLATED	3							
40	1	26106-080402	BOLT M 8X 40 PLATED	5							

Fig.3. FLYWHEEL HOUSING & OIL SUMP

(A)=4TNV98-ZNIRE

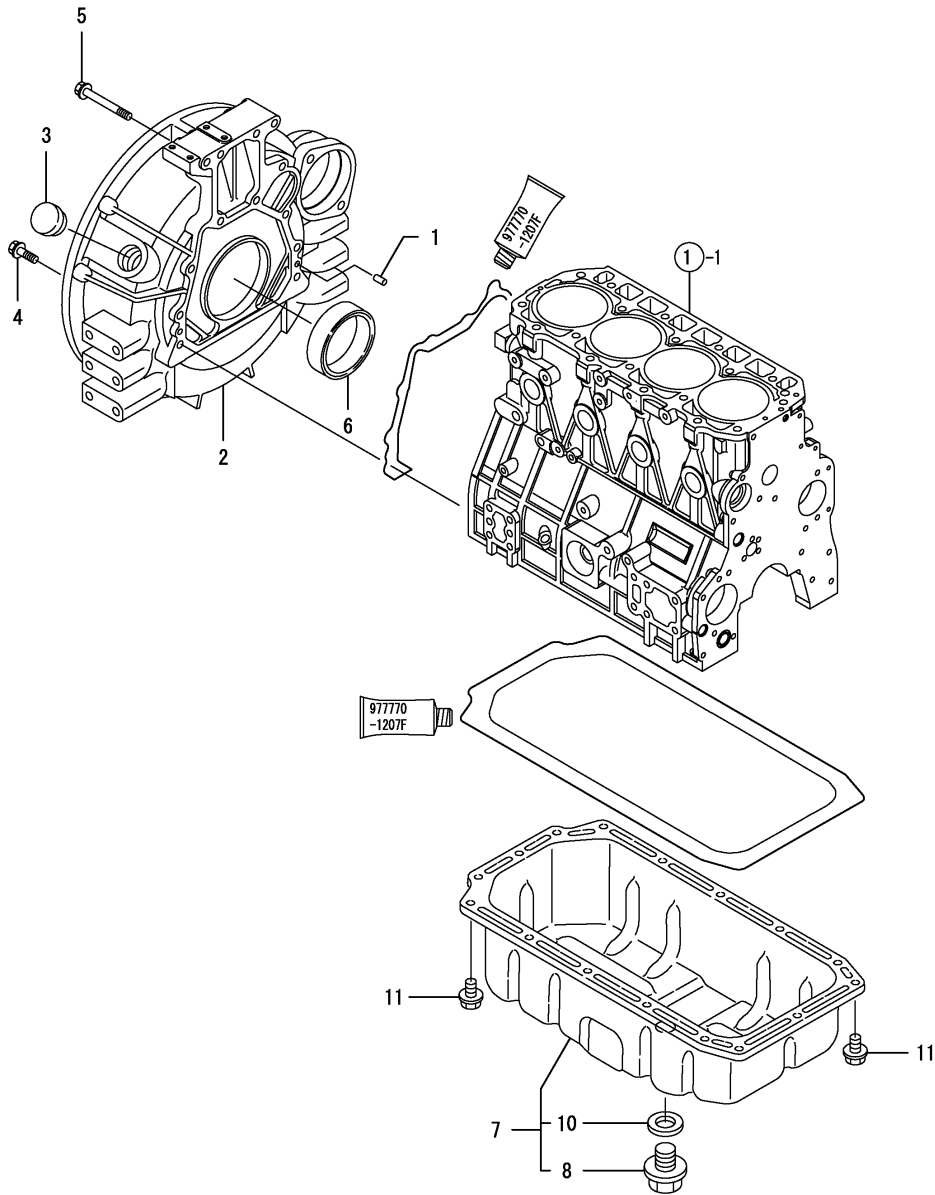
(B)=

(C)=

(D)=

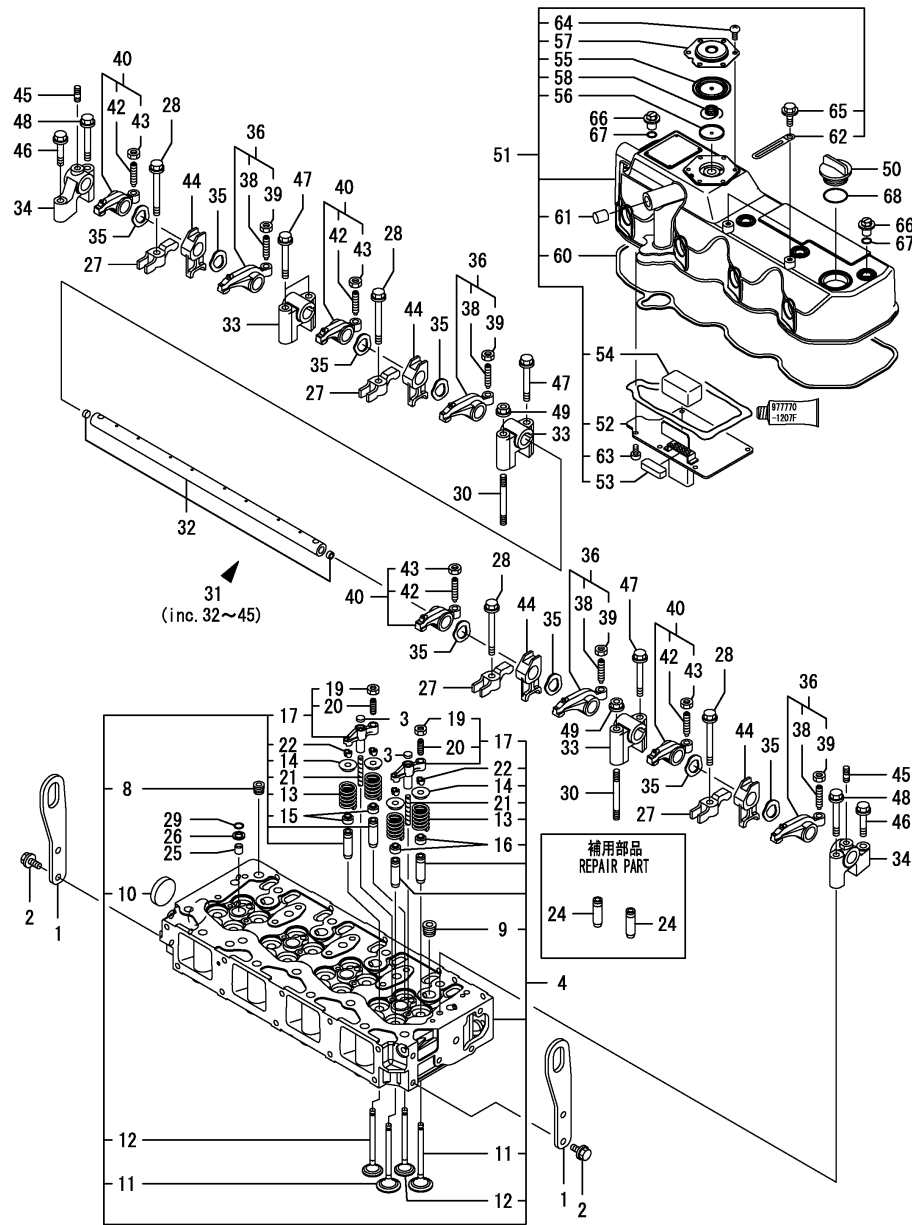
(E)=

(F)=



REF.	LEV.	PARTS NO.	DESCRIPTION	Q'TY						I	R
				(A)	(B)	(C)	(D)	(E)	(F)		
1	1	129100-01580	PARALLEL PIN 8X16	2							
2	1	129981-01600	FLYWHEEL HOUSING	1							
3	1	119620-01750	CAP, FLYWHEEL COVER	1							
4	1	26206-100352	BOLT M10X 35 PLATED	9							
5	1	26206-100702	BOLT M10X 70 PLATED	4							
6	1	129916-01790	SEAL, OIL	1							
7	1	129916-01710	PAN ASSY, LUB. OIL	1							
8	2	119640-01640	DRAIN PLUG M22	1							
10	2	22190-220002	SEAL WASHER 22S	1							
11	1	26106-080122	BOLT M 8X 12 PLATED	16							

Fig.4. CYLINDER HEAD & BONNET



(A)=4TNV98-ZNIRE

(B)=

(C)=

(D)=

(E)=

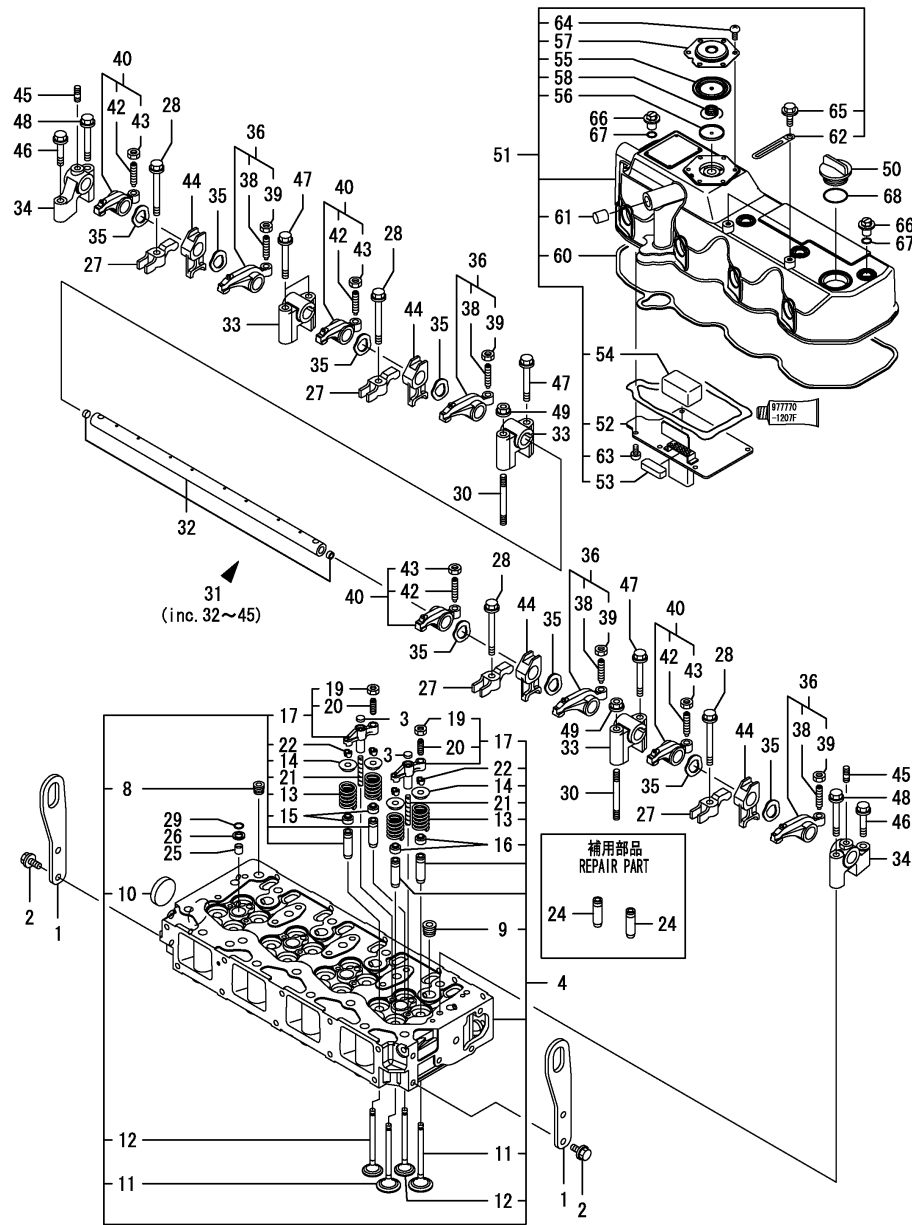
(F)=

REF.	LEV.	PARTS NO.	DESCRIPTION	Q'TY						I	R
				(A)	(B)	(C)	(D)	(E)	(F)		
1	1	129907-07900	LIFTER, ENGINE	2							
2	1	26106-080162	BOLT M 8X 16 PLATED	4							
3	1	123907-11550	SEAT A, VALVE BRIDGE	8							
4	1	129927-11700	HEAD ASSY, CYLINDER	1							
8	2	23876-020000	PLUG PT1/4, SCREW	1							
9	2	23876-030000	PLUG PT3/8, SCREW	4							
10	2	27241-400000	PLUG 40	1							
11	2	129907-11100	VALVE(INT)	8							
12	2	129907-11110	VALVE(EXH)	8							
13	2	129907-11120	VALVE SPRING	16							
14	2	119620-11180	RETAINER, SPRING	16							
15	2	119803-11340	SEAL, VALVE STEM(EXH)	8							
16	2	124160-11340	SEAL, VALVE STEM(INT)	8							
17	2	129907-11510	BRIDGE ASSY, VALVE	8							
19	3	129150-11750	NUT M8XP1.0	8							
20	3	123907-11830	SCRWE, VALVE BRIDGE	8							
21	2	123907-11820	GUIDE, VALVE BRIDGE	8							
22	2	27310-070001	COTTER ASSY	16							
24	1	129907-11800	GUIDE, VALVE	16							1
25	1	119802-11870	PROTECTOR, NOZZLE	4							
26	1	119625-11880	SEAT, NOZZLE	4							
27	1	129907-11910	RETAINER, F.I. VALVE	4							
28	1	129907-11950	FLANGE BOLT, RETAINER	4							
29	1	24311-000120	PACKING, P 12.0	4							
30	1	119593-11301	BOLT 8X80	2							
31	1	129907-11341	SUPPORT CMP	1							
32	2	129907-11250	SHAFT, ROCKER ARM	1							
33	2	129907-11260	SUPPORT A	3							
34	2	129907-11270	SUPPORT B	2							
35	2	123907-11280	WAVE WASHER	8							
36	2	129907-11650	ARM ASSY, ROCKER	4							
38	3	129150-11230	SCREW, VALVE	4							
39	3	129150-11750	NUT M8XP1.0	4							
40	2	129907-11660	ARM ASSY, ROCKER	4							
42	3	129150-11230	SCREW, VALVE	4							
43	3	129150-11750	NUT M8XP1.0	4							
44	2	129907-11920	PEDESTAL, RETAINER	4							
45	2	26226-080222	STUD M 8X 22 PLATED	2							
46	1	26106-080402	BOLT M 8X 40 PLATED	2							
47	1	26106-080602	BOLT M 8X 60 PLATED	4							
48	1	26106-080602	BOLT M 8X 60 PLATED	2							
49	1	26306-080002	NUT	2							
50	1	124160-01751	COVER, FILLER	1							
51	1	129927-11320	BONNET ASSY	1							
52	2	129907-03011	BAFFLE PLATE	1							
53	2	129907-03061	BAFFLE	1							
54	2	129907-03070	BAFFLE	1							
55	2	123907-03100	DIAPHRAGM, BREATHER	1							
56	2	123907-03110	CENTER PLATE	1							
57	2	123907-03120	PLATE, BREATHER	1							
58	2	123907-03140	SPRING, DIAPHRAGM	1							

Remarks  
(1) REPAIR PART.



Fig.4. CYLINDER HEAD & BONNET



(A)=4TNV98-ZNIRE  
(B)=  
(C)=

(D)=  
(E)=  
(F)=

REF.	LEV.	PARTS NO.	DESCRIPTION	Q'TY						I	R
				(A)	(B)	(C)	(D)	(E)	(F)		
60	2	129933-11310	GASKET, BONNET	1							
61	2	119640-61400	PLUG	1							
62	2	175339-79700	CLIP	2							
63	2	22857-500100	SCREW 5X10,TAPPING	6							
64	2	22857-500100	SCREW 5X10,TAPPING	6							
65	2	26106-060122	BOLT M 6X 12 PLATED	2							
66	1	124160-11360	KNOB	4							
67	1	24311-000120	PACKING, P 12.0	4							
68	1	24311-000320	O-RING 1A P-32.0	1							

Remarks  
(1) REPAIR PART.

Fig.5. SUCTION MANIFOLD

Y00W3790 5. SUCTION MANIFOLD

(A)=4TNV98-ZNIRE  
(B)=  
(C)=

(D)=  
(E)=  
(F)=

REF.	LEV.	PARTS NO.	DESCRIPTION	Q'TY						I	R
				(A)	(B)	(C)	(D)	(E)	(F)		
1	1	129907-12110	PACKING(INT.MANIFOLD	1							
2	1	129927-12150	MANIFOLD CMP,INTAKE	1							
3	2	129927-12100	MANIFOLD,INTAKE	1							
4	2	26216-060202	STUD M 6X 20 PLATED	2							
5	1	26106-080452	BOLT M 8X 45 PLATED	6							
6	1	26106-080802	BOLT M 8X 80 PLATED	4							
7	1	119129-77020	GASKET	1							
8	1	121850-77021	GASKET, (NON-ASB.)	1							
9	1	119005-77051	HEATER, AIR	1							
10	1	119129-77520	BEND	1							
11	1	26106-080402	BOLT M 8X 40 PLATED	2							
12	1	26106-080902	BOLT M 8X 90 PLATED	2							

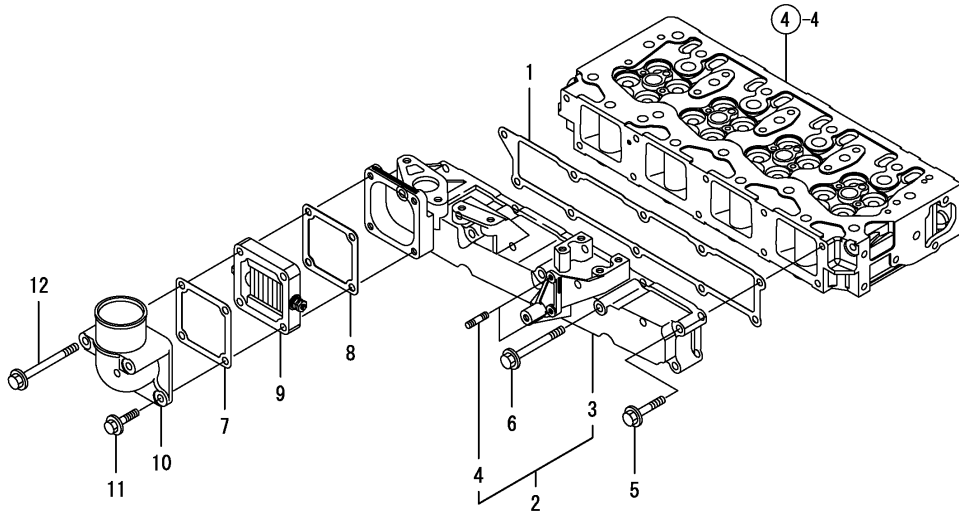
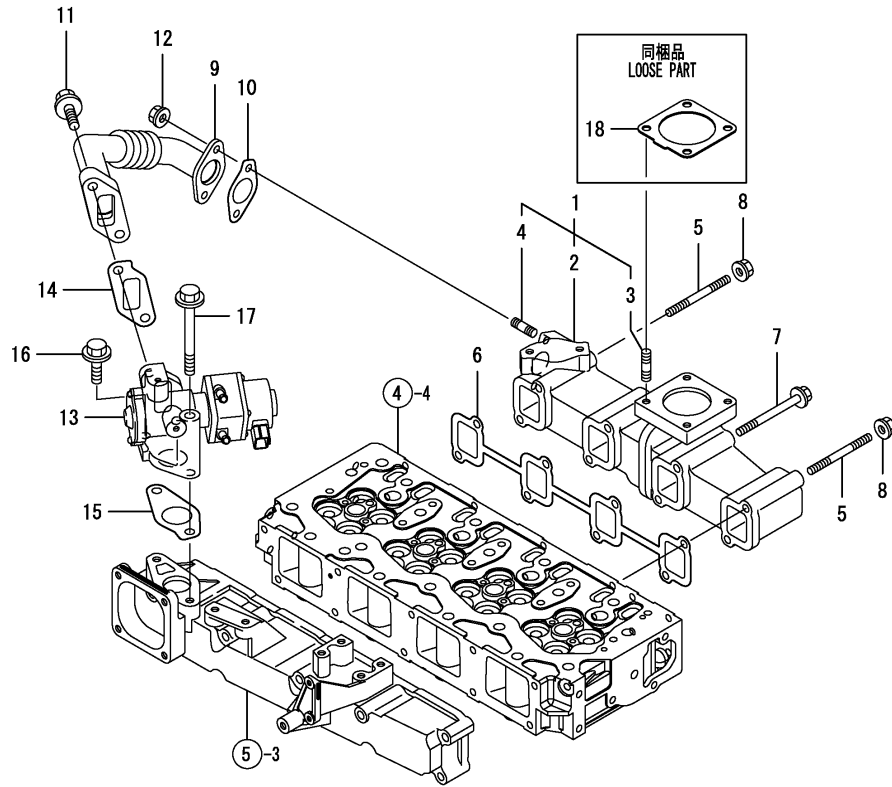


Fig.6. EXHAUST MANIFOLD



(A)=4TNV98-ZNIRE  
(B)=  
(C)=

(D)=  
(E)=  
(F)=

REF.	LEV.	PARTS NO.	DESCRIPTION	Q'TY						I	R
				(A)	(B)	(C)	(D)	(E)	(F)		
1	1	129927-13150	MANIFOLD ASSY,EXH	1							
2	2	129927-13100	MANIFOLD,EXHAUST	1							
3	2	119131-18320	BOLT M 8X 22	4							
4	2	129418-18320	STUD BOLT M8X20	2							
5	1	129263-13210	STUD	2							
6	1	129900-13251	GASKET	1							
7	1	119802-13680	BOLT, M8X90	6							
8	1	26306-080002	NUT	2							
9	1	129927-13800	PIPE(EGR CMP	1							
10	1	129927-13810	GASKET, EGR PIPE	1							
11	1	26106-100302	BOLT M10X 30 PLATED	2							
12	1	26306-080002	NUT	2							
13	1	129927-13900	EGR VALVE	1							
14	1	129927-13910	GASKET(EGR-V IN	1							
15	1	129927-13920	GASKET(EGR-V OUT	1							
16	1	26106-100302	BOLT M10X 30 PLATED	1							
17	1	26106-100952	BOLT M10X 95 PLATED	1							
18	1	129930-13201	GASKET, SILENCER	1							

Fig.7. CAMSHAFT & DRIVING GEAR

(A)=4TNV98-ZNIRE

(B)=

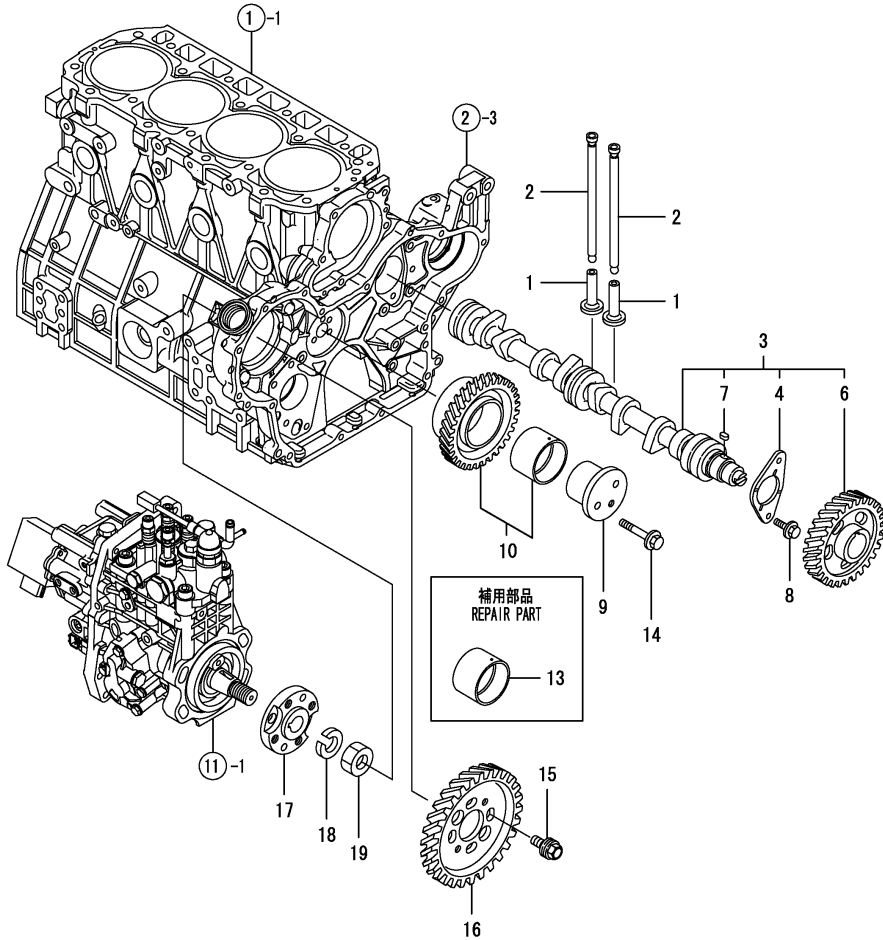
(C)=

(D)=

(E)=

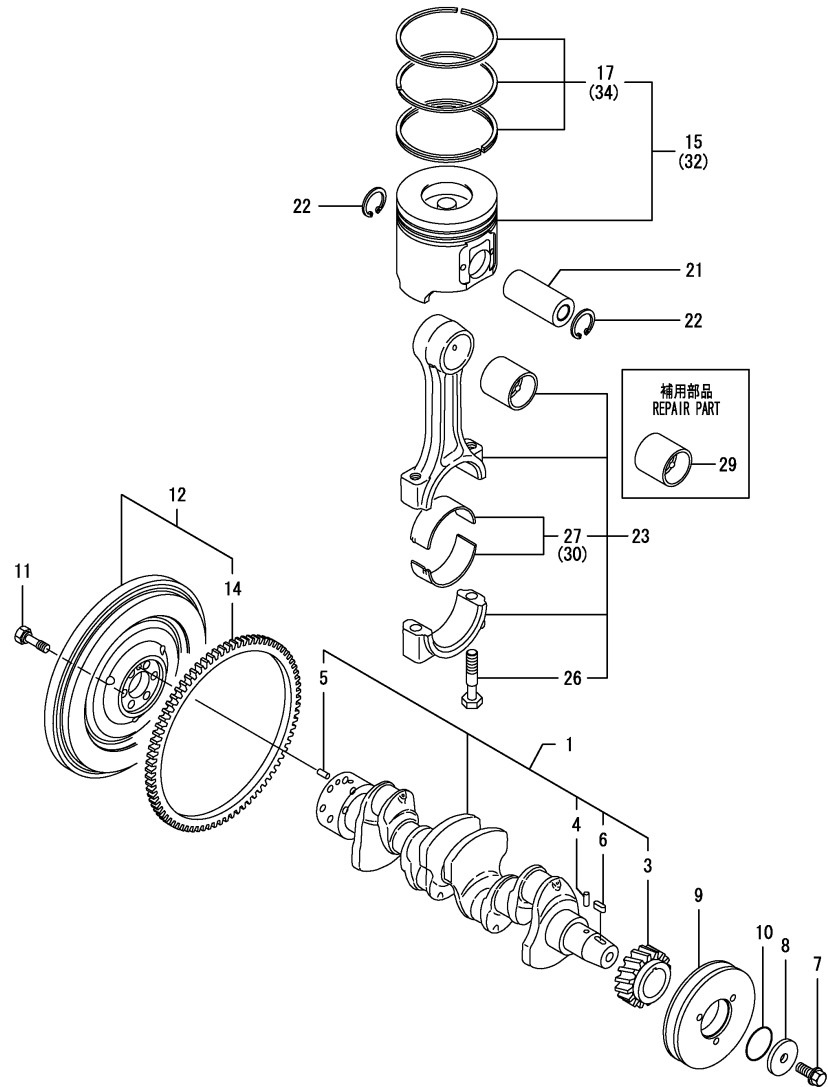
(F)=

REF.	LEV.	PARTS NO.	DESCRIPTION	Q'TY						I	R
				(A)	(B)	(C)	(D)	(E)	(F)		
1	1	129150-14200	TAPPET	8							
2	1	129907-14400	PUSH ROD	8							
3	1	129908-14581	CAMSHFT ASSY	1							
4	2	129150-02450	METAL,THRUST(CAM	1							
6	2	129900-14100	GEAR, CAMSHAFT	1							
7	2	22512-070140	KEY 7X 14	1							
8	1	26106-080162	BOLT M 8X 16 PLATED	2							
9	1	123900-25060	SHAFT(GEAR, IDLE	1							
10	1	129900-25100	GEAR ASSY, IDLE	1							
13	1	129150-25920	BUSH, IDLE GEAR	1							1
14	1	26106-080552	BOLT M 8X 55 PLATED	3							
15	1	129953-25300	BOLT	4							
16	1	129907-25900	GEAR, F.I.PUMP	1							
17	1	158563-51150	FLANGE	1							
18	1	22217-180000	SPRING WASHER 18	1							
19	1	26776-180002	NUT M18, LOCK	1							



Remarks  
(1) REPAIR PART.

Fig.8. CRANKSHAFT & PISTON



Remarks  
 (1) REPAIR PART.  
 (2) UNDER-SIZED(U.S=0.25)PART.  
 (3) OVER-SIZED(O.S=0.25)PART.

Y00W3790 8. CRANKSHAFT & PISTON

(A)=4TNV98-ZNIRE (D)=  
 (B)= (E)=  
 (C)= (F)=

REF.	LEV.	PARTS NO.	DESCRIPTION	Q'TY						I	R
				(A)	(B)	(C)	(D)	(E)	(F)		
1	1	129902-21000	CRANKSHAFT COMP	1							
3	2	129900-21200	GEAR, CRANKSHAFT	1							
4	2	121850-21290	PARALLEL PIN	1							
5	2	121850-21920	PARALLEL PIN 10X22	1							
6	2	22512-070140	KEY 7X 14	1							
7	1	129916-21610	BOLT, V-PULLEY	1							
8	1	129960-21640	WASHER	1							
9	1	129907-21680	V-PULLEY, CRANKSHAFT	1							
10	1	24341-000530	O-RING 1A S-53.0	1							
11	1	121850-21130	BOLT, FLYWHEEL	6							
12	1	129907-21580	FLYWHEEL ASSY	1							
14	2	129900-21600	GEAR, RING	1							
15	1	129927-22080	PISTON ASSY	4							
17	2	129927-22050	RING SET, PISTON	4							
21	1	120130-22301	PIN, PISTON	4							
22	1	22252-000300	CIRCLIP 30	8							
23	1	129900-23001	ROD ASSY, CONNECTING	4							
26	2	129900-23200	BOLT, ROD	8							
27	2	129900-23601	METAL ASSY, CRANKPIN	4							
29	1	129900-23911	BUSH, PISTON PIN	4							1
30	1	129900-23611	BEARING,PIN U.S=0.25	4							2
32	1	729927-22900	PISTON W/RING,0.25OS	4							3
34	2	729927-22950	RING SET, 0.25OS	4							3

Fig.9. LUB.OIL SYSTEM

(A)=4TNV98-ZNIRE

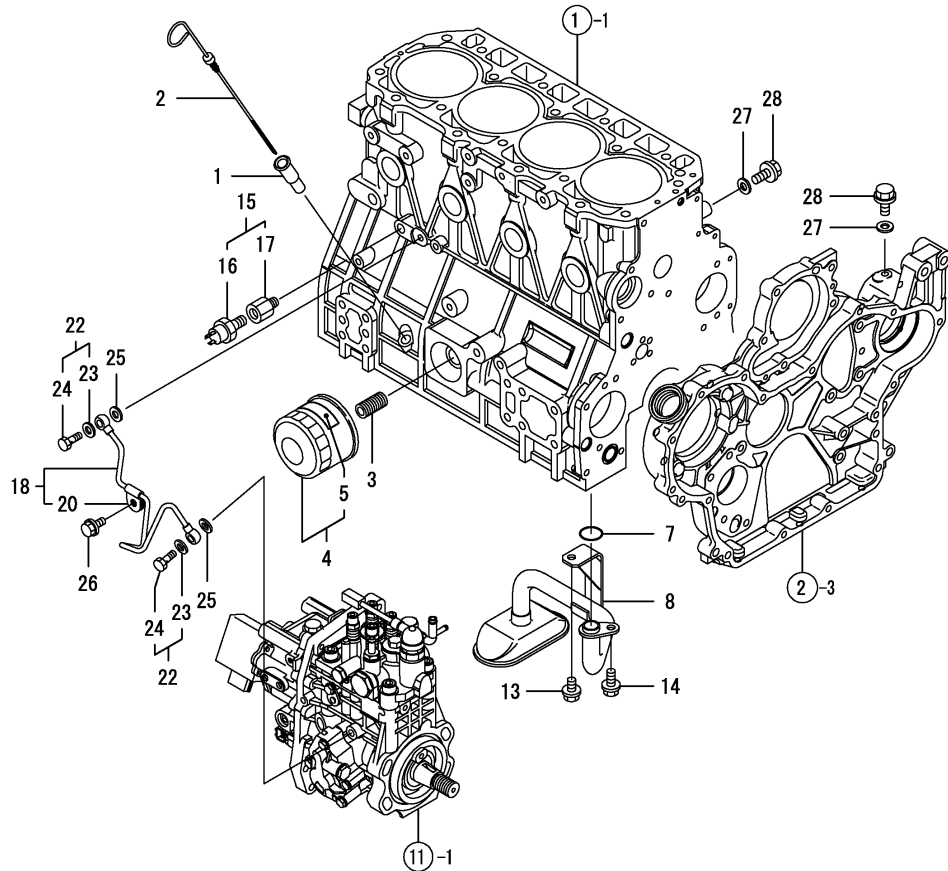
(B)=

(C)=

(D)=

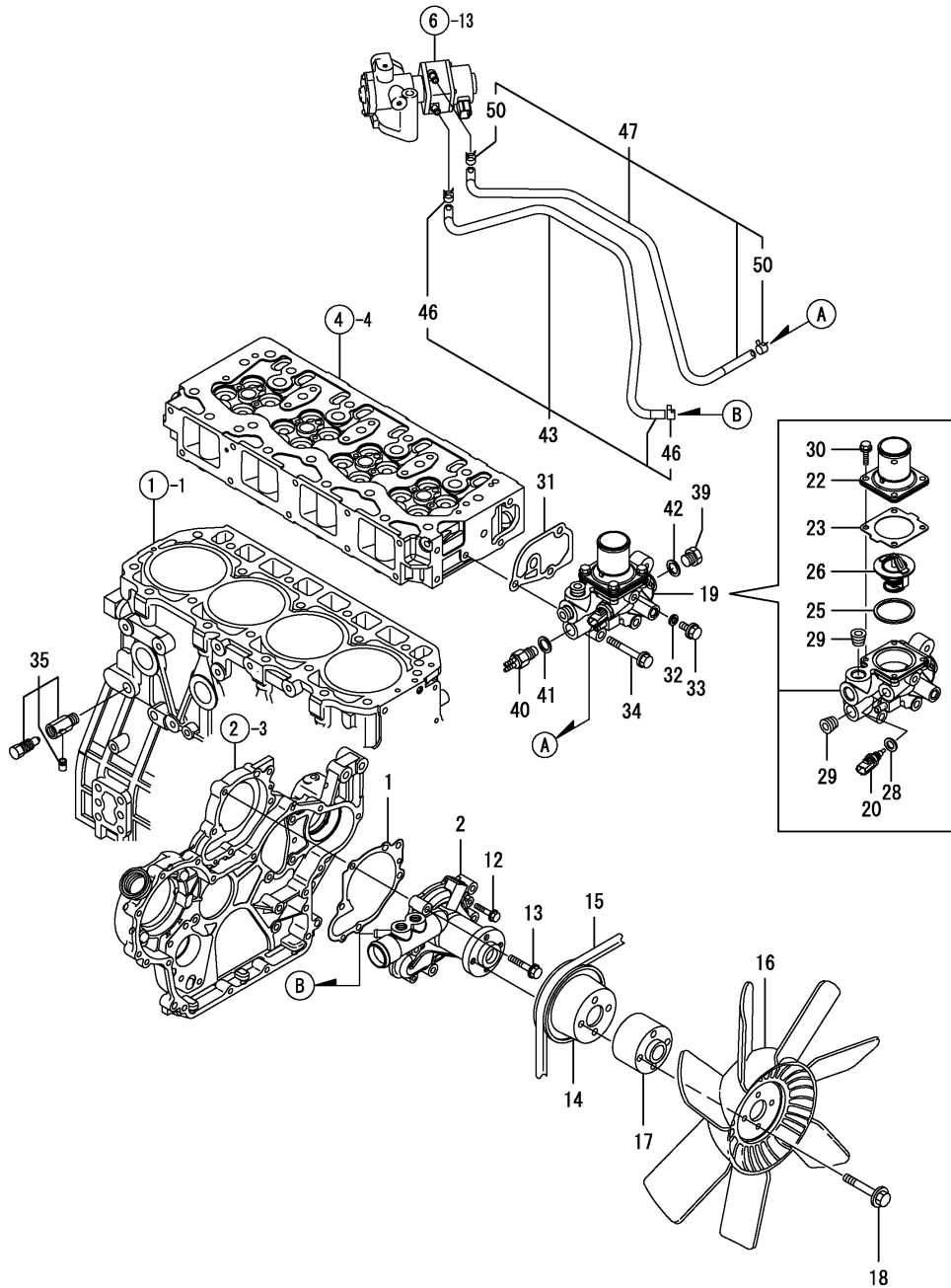
(E)=

(F)=



REF.	LEV.	PARTS NO.	DESCRIPTION	Q'TY						I	R
				(A)	(B)	(C)	(D)	(E)	(F)		
1	1	121520-34810	GUIDE, DIPSTICK	1							
2	1	129953-34830	DIPSTICK, LUB.OIL	1							
3	1	119000-35140	STUD, LUB.OIL FILTER	1							
4	1	119802-35150	FILTER, 80X80L ASSY	1							
5	2	119802-07020	LABEL (LO FILTER	1							
7	1	129900-32030	O-RING P20	1							
8	1	129953-35000	PIPE ASY,L.OIL INLET	1							
13	1	26106-080122	BOLT M 8X 12 PLATED	1							
14	1	26106-080162	BOLT M 8X 16 PLATED	1							
15	1	119940-39470	LO SWITCH CMP	1							
16	2	119802-39460	OIL PRESSURE SWITCH	1							
17	2	119285-39610	ADAPTER	1							
18	1	129927-39060	PIPE ASY, LUB.OIL	1							
20	2	123907-39500	SUPPORT,PIPE	1							
22	1	129005-59830	BOLT ASSY, JOINT	2							
23	2	22190-080002	SEAL WASHER 8S	2							
24	2	23857-030000	JOINT BOLT 3	2							
25	1	22190-080002	SEAL WASHER 8S	2							
26	1	26106-080122	BOLT M 8X 12 PLATED	1							
27	1	22190-080002	SEAL WASHER 8S	2							
28	1	26106-080122	BOLT M 8X 12 PLATED	2							

Fig.10. COOLING WATER SYSTEM



(A)=4TNV98-ZNIRE

(B)=

(C)=

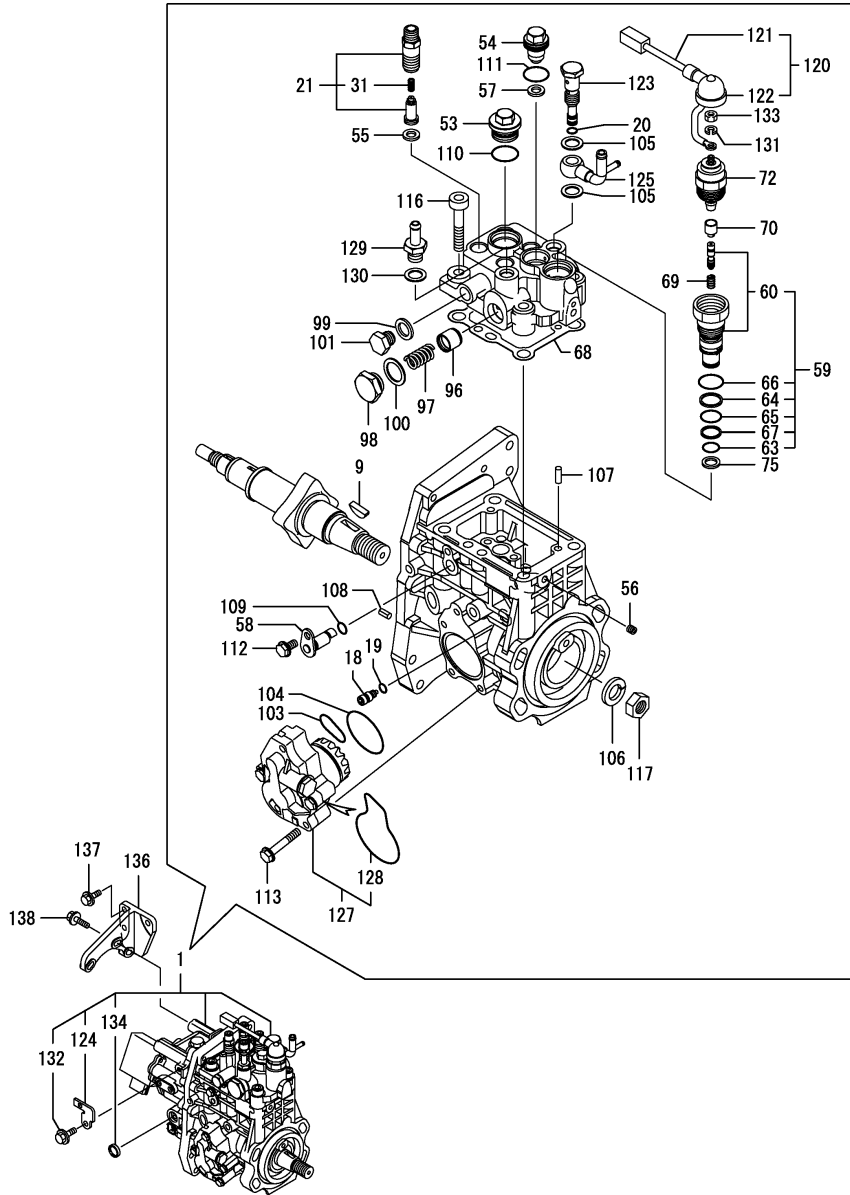
(D)=

(E)=

(F)=

REF.	LEV.	PARTS NO.	DESCRIPTION	Q'TY						I	R
				(A)	(B)	(C)	(D)	(E)	(F)		
1	1	129900-42020	GASKET, CW-P	1							
2	1	129948-42100	PUMP ASSY, WATER	1							
12	1	26106-060302	BOLT M 6X 30 PLATED	2							
13	1	26106-080552	BOLT M 8X 55 PLATED	5							
14	1	123900-42470	V-PULLEY	1							
15	1	25153-004500	V-BELT B45	1							
16	1	123900-44740	FAN (D=500	1							
17	1	123910-44771	SPACER	1							
18	1	26106-100652	BOLT M10X 65 PLATED	4							
19	1	129927-49800	CASE ASSY, THERMOSTAT	1							
20	2	129927-44900	THERMOMETER	1							
22	2	129916-49530	COVER, THERMOSTAT	1							
23	2	121850-49540	GASKET, THERMOSTAT	1							
25	2	121850-49550	GASKET, THERMOSTAT	1							
26	2	121850-49810	THERMOSTAT,71	1							
28	2	22190-120002	SEAL WASHER 12	1							
29	2	23875-030000	PLUG PT3/8, STEEL	2							
30	2	26106-060202	BOLT M 6X 20 PLATED	4							
31	1	129900-49870	GASKET, CASE	1							
32	1	23414-080000	GASKET 8, ROUND	1							
33	1	26106-080122	BOLT M 8X 12 PLATED	1							
34	1	26106-080602	BOLT M 8X 60 PLATED	3							
35	1	119620-49290	COCK ASSY 1/4	1							
39	1	121450-42450	PLUG M16	1							
40	1	119843-44900	SWITCH, THERMO	1							
41	1	124465-44950	GASKET 16	1							
42	1	124465-44950	GASKET 16	1							
43	1	129927-49610	PIPE ASSY, WATER A	1							
46	2	23080-012000	CLAMP 12	2							
47	1	129927-49620	PIPE ASSY, WATER B	1							
50	2	23080-012000	CLAMP 12	2							

Fig.11. FUEL INJECTION PUMP



Remarks  
 (1) GOVERNOR ASSY(FIG.12) IS INCORPORATED IN THIS FUEL INJECTION PUMP.(REF.NO.1).

(A)=4TNV98-ZNIRE

(B)=

(C)=

(D)=

(E)=

(F)=

REF.	LEV.	PARTS NO.	DESCRIPTION	Q'TY						I	R
				(A)	(B)	(C)	(D)	(E)	(F)		
1	1	729940-51470	INJECTON PUMP ASSY	1							1
9	2	144626-51090	KEY 5X19	1							
18	2	158600-51270	STOPPER	1							
19	2	158563-51281	O-RING	1							
20	2	158563-51281	O-RING	1							
21	2	129927-51390	SET, DELIVERY	4							
31	3	158563-51330	SPRING	4							
53	2	158601-51550	PLUG	1							
54	2	129907-51560	PLUG	1							
55	2	158552-51571	PK(BARREL PLUG	4							
56	2	158557-51570	PLUG	1							
57	2	129906-51580	PACKING, PLUG	1							
58	2	158552-51580	LIFTER	1							
59	2	129657-51590	TIMER SET	1							
60	3	129657-51600	TIMER CMP	1							
63	3	158553-51670	O-RING, 1011	1							
64	3	119802-51680	BACKUP RING	1							
65	3	119802-51690	O RING	1							
66	3	24356-010200	PACKING, 1020	1							
67	3	24372-000150	RING, BACKUP T2 P 15	1							
68	2	158560-51600	PACKING, HEAD	1							
69	2	119852-51630	SPRING,TIMER	1							
70	2	119852-51640	CAP,TIMER	1							
72	2	119852-51650	VALVE,SOLENOIDE	1							
75	2	158553-51680	PACKING,TIMER	1							
96	2	158601-51770	PISTON	1							
97	2	158552-51781	SPRING	1							
98	2	158601-51790	PLUG	1							
99	2	22190-120002	SEAL WASHER 12	1							
100	2	22190-180002	SEAL WASHER 18	1							
101	2	23887-120002	PLUG M12,HEX.	1							
103	2	158552-52310	O-RING	1							
104	2	158552-52400	O-RING 4E S42	1							
105	2	22190-120002	SEAL WASHER 12	2							
106	2	22217-180000	SPRING WASHER 18	1							
107	2	22312-050140	PARALLEL PIN 5X14	2							
108	2	22351-050010	SPRING PIN 5X10	2							
109	2	24311-000070	O-RING 1A P-7.0	1							
110	2	24356-010200	PACKING, 1020	1							
111	2	24356-020210	O RING	1							
112	2	26106-060102	BOLT 6X 10 PLATED	1							
113	2	26106-060352	BOLT M 6X 35 PLATED	4							
116	2	26450-100452	BOLT M10X 45	4							
117	2	26776-180002	NUT M18,LOCK	1							
120	2	129927-51650	HARNESS CMP	1							
121	3	129927-51660	HARNESS ,CSD	1							
122	3	129263-77941	CAP,RUBBER	1							
123	2	158601-51650	JOINT	1							
124	2	129927-51670	BRACKET ,CSD	1							
125	2	158552-51670	JOINT	1							
127	2	158552-52100	PUMP ASSY,FEED	1							

N:Old ↔ New, Q:Old ↔ New, R:Old ↔ New, S:Old ↔ New, W:Add, Z:Discontinued, F:Set Change, K:Q'ty Change

++ CONTINUE ++

(C)Copy Rights YANMAR CO.,LTD and YANMAR AGRICULTURAL EQUIPMENT CO.,LTD.



Fig.11. FUEL INJECTION PUMP

(A)=4TNV98-ZNIRE

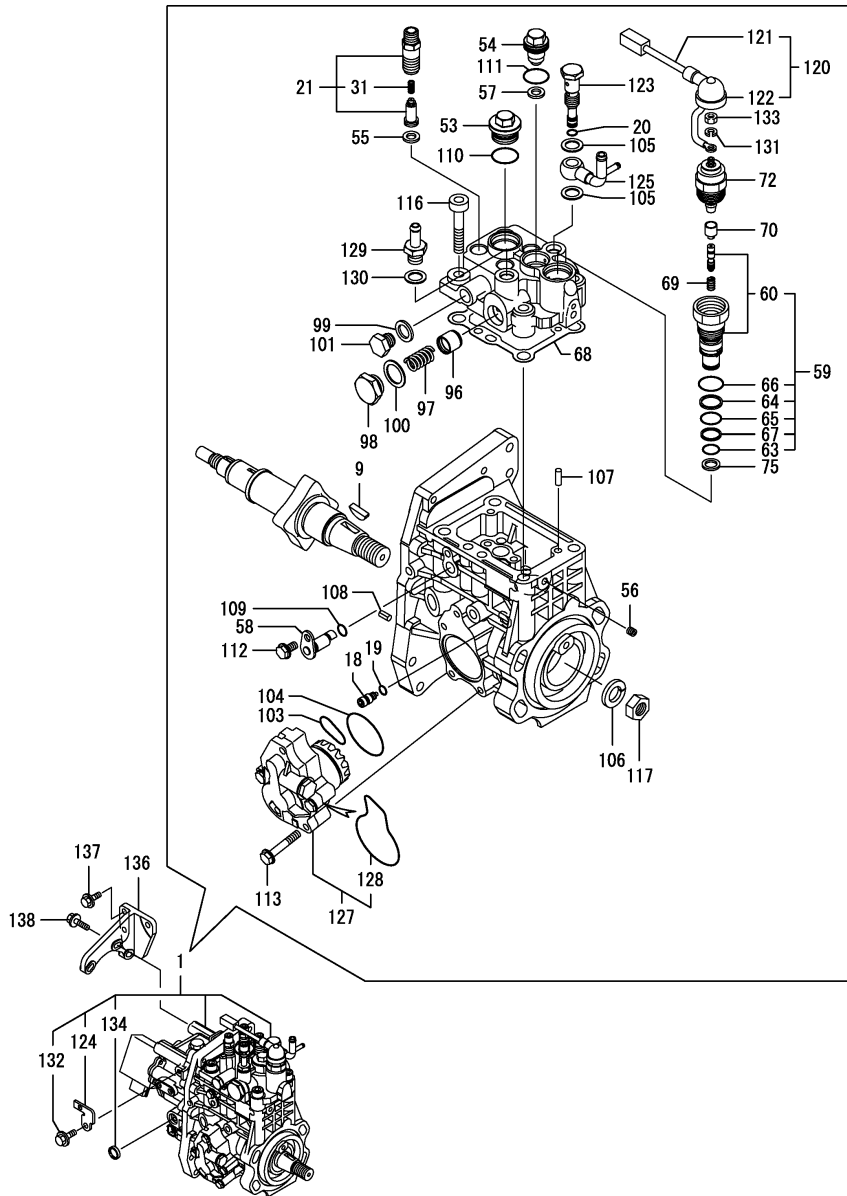
(B)=

(C)=

(D)=

(E)=

(F)=



REF.	LEV.	PARTS NO.	DESCRIPTION	Q'TY						I	R
				(A)	(B)	(C)	(D)	(E)	(F)		
128	3	158552-52500	O-RING(FEED P INNER	1							
129	2	119934-59910	JOINT,PIPE	1							
130	2	22190-120002	SEAL WASHER 12	1							
131	2	22217-050000	SPRING WASHER 5	1							
132	2	26106-060122	BOLT M 6X 12 PLATED	1							
133	2	26716-050002	NUT M 5	1							
134	2	27241-160000	PLUG 16	1							
136	1	129927-51250	RETAINER(FOP	1							
137	1	26106-080202	BOLT M 8X 20 PLATED	3							
138	1	26106-080302	BOLT M 8X 30 PLATED	3							

Remarks  
 (1) GOVERNOR ASSY(FIG.12) IS INCORPORATED IN THIS FUEL INJECTION PUMP.(REF.NO.1).

N:Old ↔ New, Q:Old ↔ New, R:Old ↔ New, S:Old ↔ New, W:Add, Z:Discontinued, F:Set Change, K:Q'ty Change  
 (C)Copy Rights YANMAR CO.,LTD and YANMAR AGRICULTURAL EQUIPMENT CO.,LTD.

Fig.12. GOVERNOR

(A)=4TNV98-ZNIRE

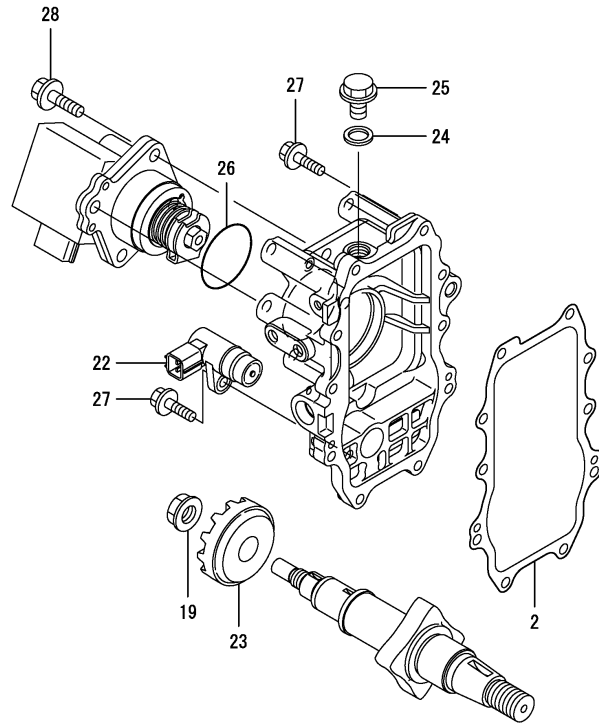
(B)=

(C)=

(D)=

(E)=

(F)=



REF.	LEV.	PARTS NO.	DESCRIPTION	Q'TY						I	R
				(A)	(B)	(C)	(D)	(E)	(F)		
2	2	158560-61050	PACKING, CASE	1							
19	2	129008-61301	NUT, GOVERNOR WEIGHT	1							
22	2	158557-61720	SENSOR	1							
23	2	158553-61780	GEAR,SENSOR	1							
24	2	23414-120000	GASKET 12, ROUND	1							
25	2	23887-120002	PLUG M12,HEX.	1							
26	2	24341-000480	O-RING 1A S-48.0	1							
27	2	26106-060252	BOLT M 6X 25 PLATED	10							
28	2	26106-080252	BOLT M 8X 25 PLATED	3							

Remarks

\* THIS FIGURE(GOVERNOR ASSY)IS  
INCORPORATED IN THE FUEL INJECTION  
PUMP ASSY(FIG.11).

Fig.13. FUEL INJECTION VALVE

(A)=4TNV98-ZNIRE

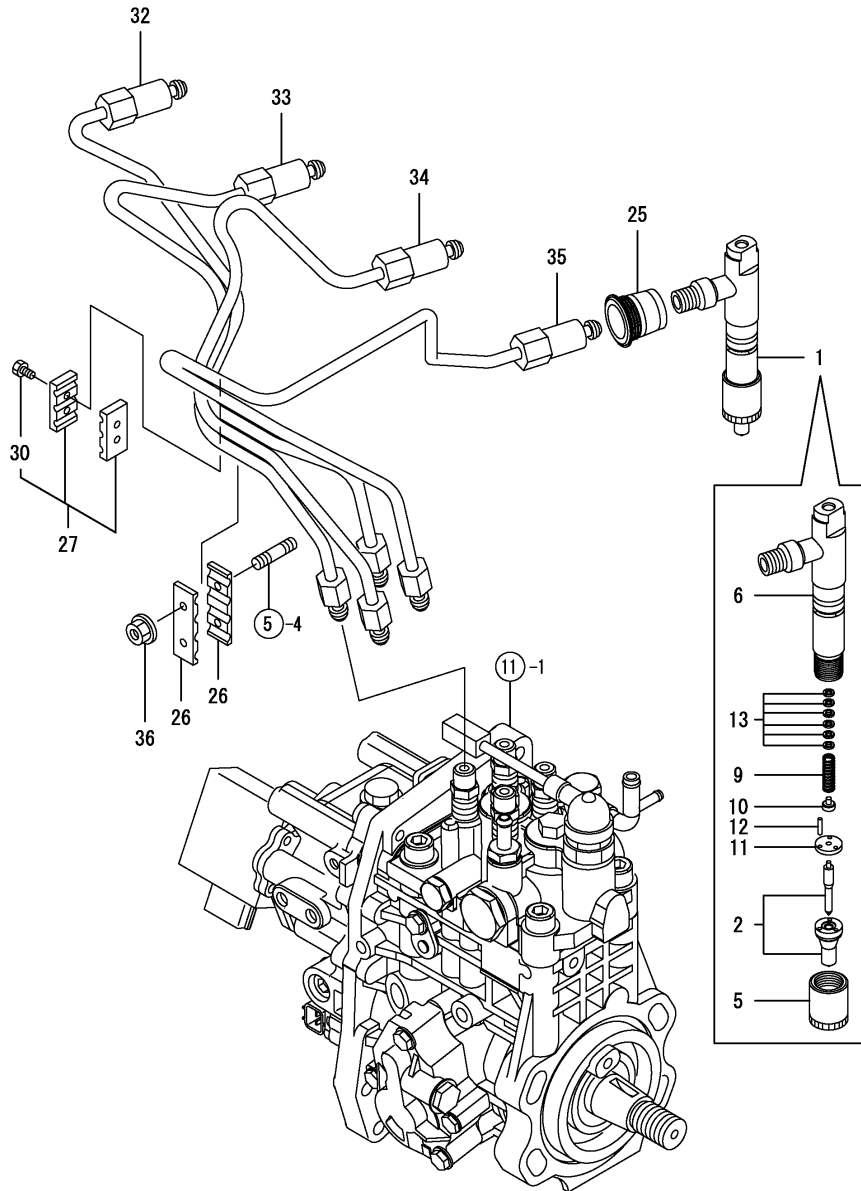
(B)=

(C)=

(D)=

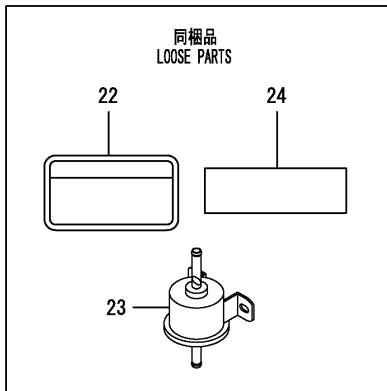
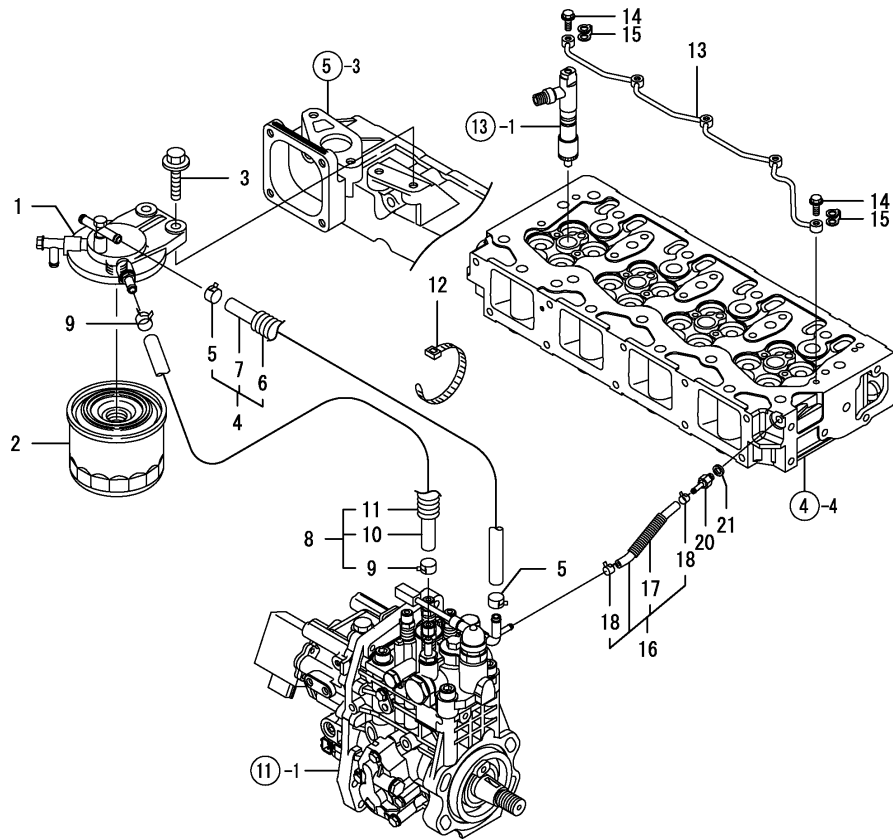
(E)=

(F)=



REF.	LEV.	PARTS NO.	DESCRIPTION	Q'TY						I	R
				(A)	(B)	(C)	(D)	(E)	(F)		
1	1	729927-53100	FUEL INJECTOR(RDG	4							
2	2	129927-53000	NOZZLE ASSY	4							
5	2	114250-53080	NUT, NOZZLE CASE	4							
6	2	129927-53100	HOLDER ASSY, NOZZLE	4							
9	2	114250-53120	SPRING, NOZZLE	4							
10	2	114250-53130	SEAT, NOZZLE SPRING	4							
11	2	114250-53140	PLATE, STOP	4							
12	2	114250-53210	PIN	8							
13	2	114250-53400	SHIM PACK	4							
25	1	123907-11601	PIPE SEAL	4							
26	1	123472-59120	BRACKET	2							
27	1	129150-59120	RETAINER, INJ. PIPE	1							
30	2	129150-59131	BOLT M4X14,HEX.SCKT.	2							
32	1	129927-59810	PIPE ASSY, INJECTION	1							
33	1	129927-59820	PIPE ASSY, INJECTION	1							
34	1	129927-59830	PIPE ASSY, INJECTION	1							
35	1	129927-59840	PIPE ASSY, INJECTION	1							
36	1	26366-060002	NUT M 6	2							

Fig.14. FUEL LINE



(A)=4TNV98-ZNIRE

(B)=

(C)=

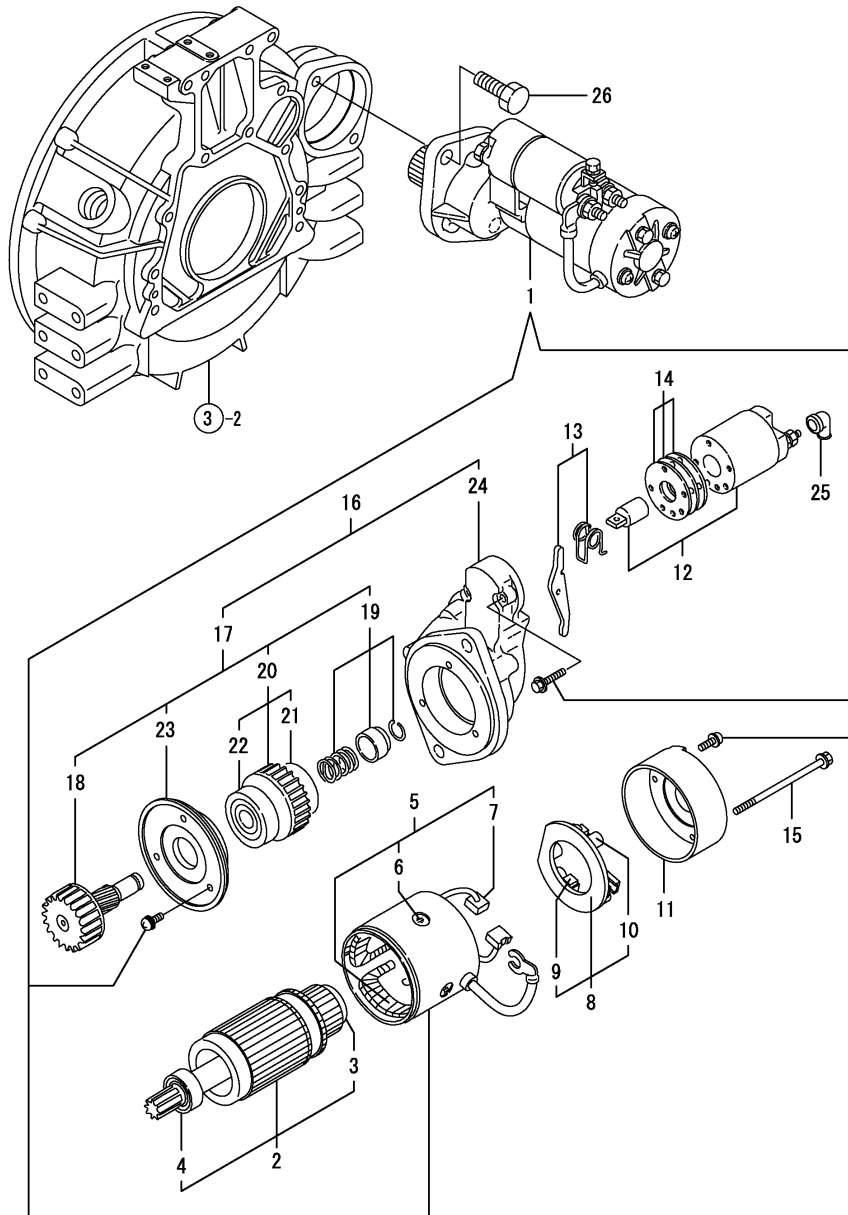
(D)=

(E)=

(F)=

REF.	LEV.	PARTS NO.	DESCRIPTION	Q'TY						I	R
				(A)	(B)	(C)	(D)	(E)	(F)		
1	1	129004-55612	BRACKET,FUEL FILTER	1							
2	1	119802-55831	FILTER, FUEL OIL	1							
3	1	26106-080302	BOLT M 8X 30 PLATED	2							
4	1	129457-59010	PIPE ASSY, FUEL	1							
5	2	124766-59050	CLAMP 12	2							
6	2	129957-59120	PROTECTOR, FUEL PIPE	1							
7	2	105025-59750	PIPE, FUEL OIL	1							
8	1	129961-59310	PIPE ASSY, FUEL	1							
9	2	124766-59050	CLAMP 12	2							
10	2	129136-59110	PIPE, FUEL OIL	1							
11	2	129961-59110	TUBE	1							
12	1	121750-59890	CLAMP 140	1							
13	1	129907-59140	PIPE ASSY,F.O.RETURN	1							
14	1	123907-59540	JOINT BOLT M6	5							
15	1	123907-59550	PACKING,FUEL RETURN	5							
16	1	129927-59550	PIPE, FUEL RETURN	1							
17	2	129263-49750	CORRUGATED TUBE	1							
18	2	124722-59050	CLAMP 9	2							
20	1	123907-59560	HOSE JOINT 4	1							
21	1	22190-080002	SEAL WASHER 8S	1							
22	1	114110-07760	LABEL, FUEL OIL NOTI	1							
23	1	119225-52102	PUMP ASSY, FUEL FEED	1							
24	1	119802-52120	LABEL (FEED PUMP)	1							

Fig.15. STARTING MOTOR



(A)=4TNV98-ZNIRE

(B)=

(C)=

(D)=

(E)=

(F)=

REF.	LEV.	PARTS NO.	DESCRIPTION	Q'TY						I	R
				(A)	(B)	(C)	(D)	(E)	(F)		
1	1	129900-77010	STARTER(2.3KW	1							
2	2	129900-77400	ARMATURE ASSY	1							
3	3	X2114155110	BALL BEARING	1							
4	3	X2114255110	BALL BEARING	1							
5	2	129900-77440	COIL ASSY, FIELD	1							
6	3	171008-77450	SCREW, POLE CORE SET	4							
7	3	129900-77450	BRUSH (+)	2							
8	2	129900-77480	HOLDER ASSY, BRASH	1							
9	3	129900-77450	BRUSH (+)	2							
10	3	X2130631300	BRUSH SPRING	4							
11	2	129900-77460	COVER, REAR	1							
12	2	129900-77591	SWITCH ASSY,MAGNETIC	1							
13	2	129900-77620	SHIFT LEVER SET	1							
14	2	129900-77650	COVER ASSY, DUST	1							
15	2	129900-77640	BOLT, THROUGH	2							
16	2	129900-77700	GEAR CASE ASY	1							
17	3	129900-77510	PINION ASSY	1							
18	4	129900-77540	SHAFT, PINION	1							
19	4	129900-77550	STOPPER SET	1							
20	4	129900-77520	CLUTCH ASSY	1							
21	5	171008-77730	BALL BEARING (3)	1							
22	5	171008-77740	BALL BEARING (4)	1							
23	4	129900-77610	RETAINER, BEARING	1							
24	3	129900-77710	HOUSING, GEARS	1							
25	2	171008-77750	COVER, M TERMINAL	1							
26	1	26116-120302	BOLT M12X 30 PLATED	2							

Fig.16. GENERATOR

(A)=4TNV98-ZNIRE

(B)=

(C)=

(D)=

(E)=

(F)=

REF.	LEV.	PARTS NO.	DESCRIPTION	Q'TY						I	R
				(A)	(B)	(C)	(D)	(E)	(F)		
1	1	123900-77210	GENERATOR(12V-60A	1							
2	2	123900-77700	ROTOR ASSY	1							
3	3	129612-77710	BALL BEARING	1							
4	2	123900-77720	REAR BRACKET ASSY	1							
5	2	123900-77730	FRONT BRACKET ASSY	1							
6	2	123900-77740	PULLEY	1							
7	2	123900-77750	SCREW KIT	1							
8	1	129470-77340	SPACER	1							
9	1	26116-101202	BOLT M10X120 PLATED	1							
10	1	26306-100002	NUT	1							
11	1	129900-77330	AJUSTER, BELT	1							
12	1	119810-77340	BOLT	1							
13	1	26014-080252	BOLT M 8X 25	1							

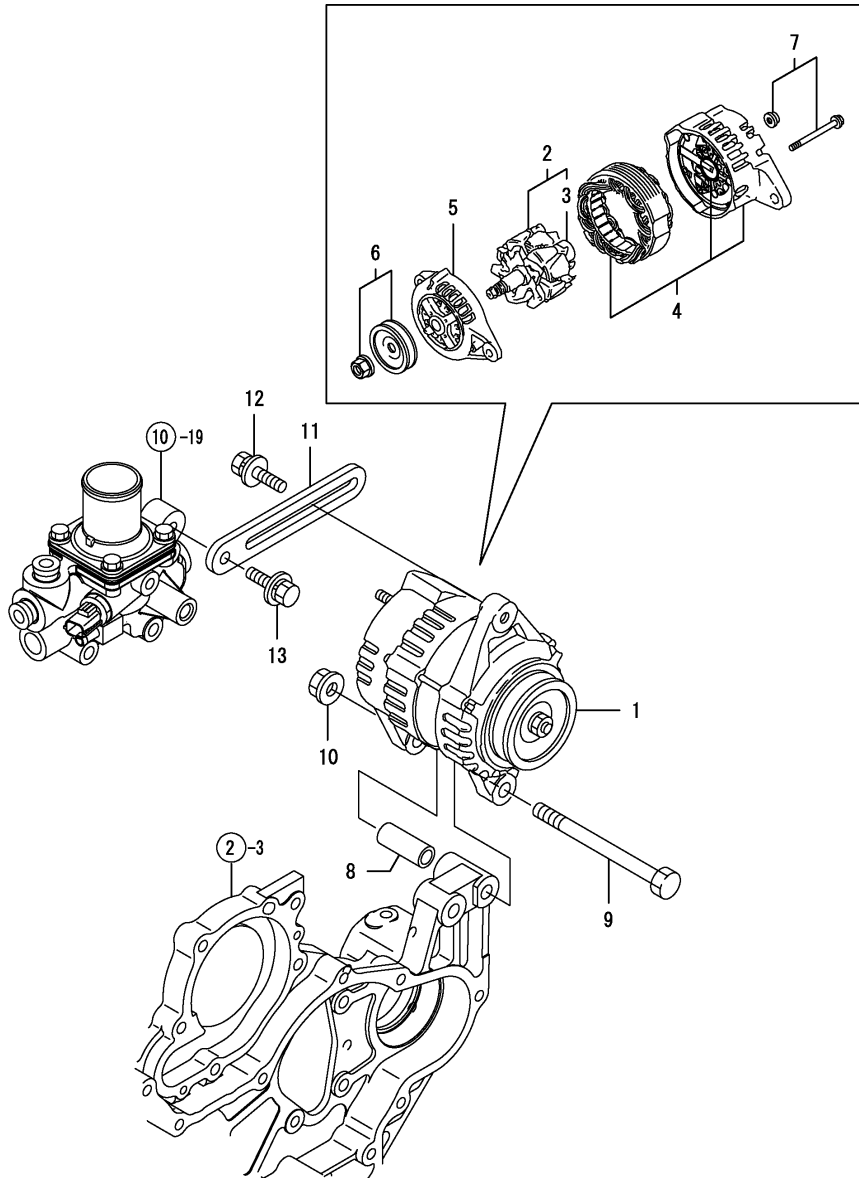


Fig.17. ELECTRIC PARTS

(A)=4TNV98-ZNIRE  
(B)=  
(C)=

(D)=  
(E)=  
(F)=

REF.	LEV.	PARTS NO.	DESCRIPTION	Q'TY						I	R
				(A)	(B)	(C)	(D)	(E)	(F)		
1	1	129940-75010	ECU CMP(4TNV98-ZNIRE	1							
11	2	129927-77600	SHIELD,ECU	1							
12	2	129927-77680	COLLAR, CONTROLLER	3							
13	2	119578-91351	RUBBER, CUSHION	3							
14	2	22877-500080	SCREW, 5.0 X 8	6							
19	1	198461-52950	RELAY CA,TYPE C	2							
20	1	124732-77720	LAMP, CHARGING	1							

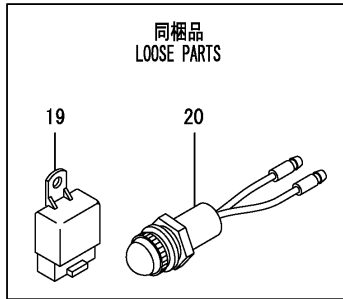
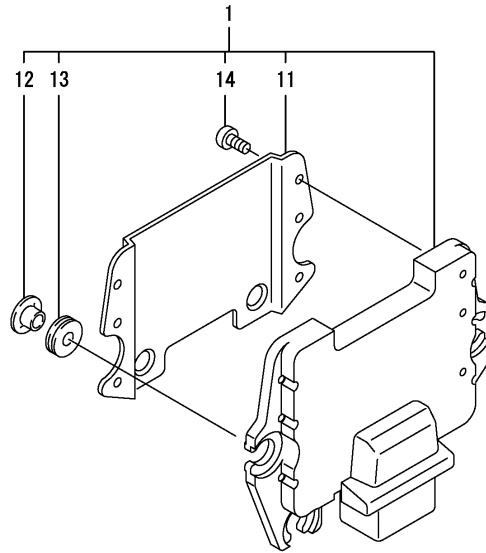
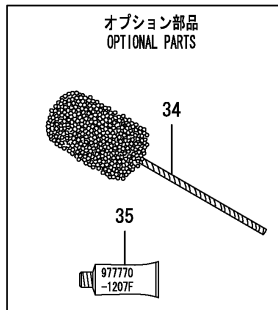
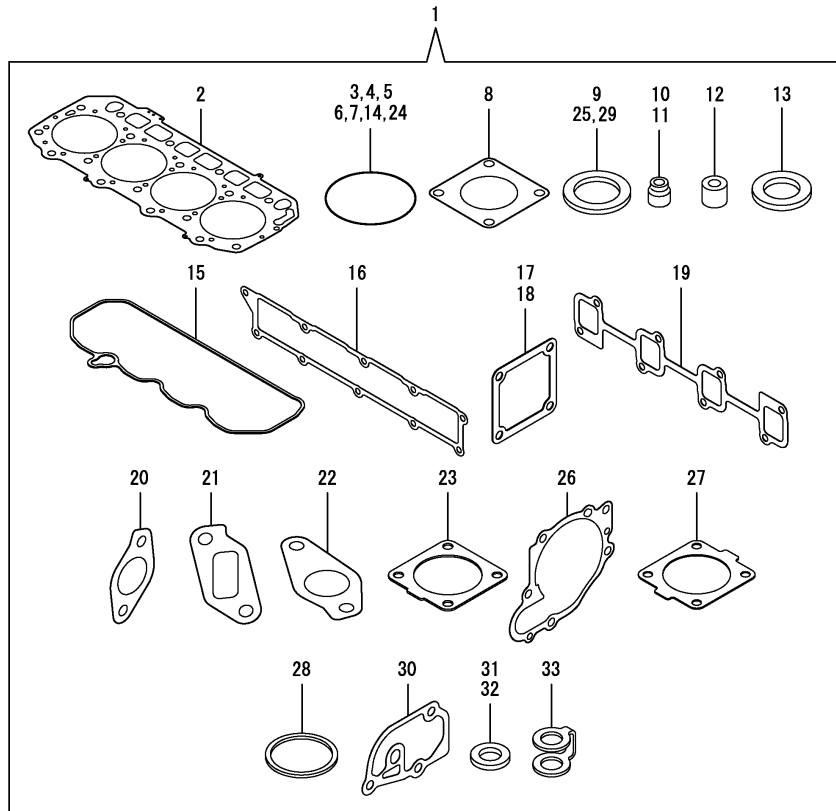


Fig.18. GASKET SET



Remarks  
(1) OPTIONAL PART.

Y00W3790 18. GASKET SET

(A)=4TNV98-ZNIRE

(B)=

(C)=

(D)=

(E)=

(F)=

REF.	LEV.	PARTS NO.	DESCRIPTION	Q'TY						I	R
				(A)	(B)	(C)	(D)	(E)	(F)		
1	1	729927-92790	GASKET SET(NON-ASB.)	1							1
2	2	129907-01331	GASKET,CYLINDER HEAD	1							
3	2	129900-32030	O-RING P20	2							
4	2	129900-32040	O-RING P14	1							
5	2	24311-000070	O-RING 1A P-7.0	1							
6	2	24351-030750	PACKING, 3075	1							
7	2	24311-000320	O-RING 1A P-32.0	2							
8	2	124240-01883	GASKET, (NON-ASB.)	1							
9	2	22190-220002	SEAL WASHER 22S	1							
10	2	119803-11340	SEAL, VALVE STEM(EXH	8							
11	2	124160-11340	SEAL, VALVE STEM(INT	8							
12	2	119802-11870	PROTECTOR, NOZZLE	4							
13	2	119625-11880	SEAT, NOZZLE	4							
14	2	24311-000120	PACKING, P 12.0	8							
15	2	129933-11310	GASKET, BONNET	1							
16	2	129907-12110	PACKING(INT.MANIFOLD	1							
17	2	119129-77020	GASKET	1							
18	2	121850-77021	GASKET, (NON-ASB.)	1							
19	2	129900-13251	GASKET	1							
20	2	129927-13810	GASKET, EGR PIPE	1							
21	2	129927-13910	GASKET(EGR-V IN	1							
22	2	129927-13920	GASKET(EGR-V OUT	1							
23	2	129930-13201	GASKET, SILENCER	1							
24	2	24341-000530	O-RING 1A S-53.0	1							
25	2	22190-080002	SEAL WASHER 8S	7							
26	2	129900-42020	GASKET, CW-P	1							
27	2	121850-49540	GASKET, THERMOSTAT	1							
28	2	121850-49550	GASKET, THERMOSTAT	1							
29	2	22190-120002	SEAL WASHER 12	1							
30	2	129900-49870	GASKET, CASE	1							
31	2	23414-080000	GASKET 8, ROUND	1							
32	2	124465-44950	GASKET 16	2							
33	2	123907-59550	PACKING,FUEL RETURN	5							
34	1	129400-92450	FLEX HONE	1							1
35	1	977770-1207F	GASKET.LIQUID	1							1





## Part Number Index

All parts are stipulated in the order of part numbers.

(Depending on the area in which the part is used.)

This index will display the location of the part according to each part number.



## PARTS No. INDEX

PARTS No.	Fig.	Ref.No.
105025-59750	14	7
114110-07760	14	22
114250-53080	13	5
114250-53120	13	9
114250-53130	13	10
114250-53140	13	11
114250-53210	13	12
114250-53400	13	13
119000-35140	9	3
119005-77051	5	9
119129-77020	5	7
	18	17
119129-77520	5	10
119131-18320	6	3
119225-52102	14	23
119285-39610	9	17
119578-91351	17	13
119593-11301	4	30
119620-01750	3	3
119620-11180	4	14
119620-49290	10	35
119625-11880	4	26
	18	13
119640-01640	3	8
119640-61400	4	61
119802-07020	9	5
119802-11870	4	25
	18	12
119802-13680	6	7
119802-35150	9	4
119802-39460	9	16
119802-51680	11	64
119802-51690	11	65
119802-52120	14	24
119802-55831	14	2
119803-11340	4	15
	18	10
119810-77340	16	12
119843-44900	10	40
119852-51630	11	69
119852-51640	11	70
119852-51650	11	72
119934-59910	11	129
119940-39470	9	15
120130-22301	8	21
121450-42450	10	39
121520-34810	9	1
121750-59890	14	12
121850-21130	8	11
121850-21290	8	4

PARTS No.	Fig.	Ref.No.
121850-21920	8	5
121850-49540	10	23
	18	27
121850-49550	10	25
	18	28
121850-49810	10	26
121850-77021	5	8
	18	18
123472-59120	13	26
123900-25060	7	9
123900-42470	10	14
123900-44740	10	16
123900-77210	16	1
123900-77700	16	2
123900-77720	16	4
123900-77730	16	5
123900-77740	16	6
123900-77750	16	7
123907-03100	4	55
123907-03110	4	56
123907-03120	4	57
123907-03140	4	58
123907-11280	4	35
123907-11550	4	3
123907-11601	13	25
123907-11820	4	21
123907-11830	4	20
123907-39500	9	20
123907-59540	14	14
123907-59550	14	15
	18	33
123907-59560	14	20
123910-44771	10	17
124160-01751	2	24
	4	50
124160-11340	4	16
	18	11
124160-11360	4	66
124240-01871	2	30
124240-01883	2	31
	18	8
124465-44950	10	41
		42
	18	32
124722-59050	14	18
124732-77720	17	20
124766-59050	14	5
		9
129001-91810	2	27
		38

PARTS No.	Fig.	Ref.No.
129004-55612	14	1
129005-59830	9	22
129008-61301	12	19
129100-01580	2	1
	3	1
129136-59110	14	10
129150-02450	7	4
129150-11230	4	38
		42
129150-11750	4	19
		39
		43
129150-14200	7	1
129150-25920	7	13
129150-59120	13	27
129150-59131	13	30
129263-13210	6	5
129263-49750	14	17
129263-77941	11	122
129400-92450	18	34
129418-18320	6	4
129457-59010	14	4
129470-77340	16	8
129612-77710	16	3
129657-51590	11	59
129657-51600	11	60
129900-01200	1	27
129900-01250	1	4
129900-01740	2	26
129900-01850	2	36
129900-01870	2	37
129900-02020	1	6
129900-02341	1	32
129900-02410	1	9
129900-02931	1	24
129900-02941	1	35
129900-13251	6	6
	18	19
129900-14100	7	6
129900-21200	8	3
129900-21600	8	14
129900-23001	8	23
129900-23200	8	26
129900-23601	8	27
129900-23611	8	30
129900-23911	8	29
129900-25100	7	10
129900-32001	2	4
129900-32030	2	16
	9	7

PARTS No.	Fig.	Ref.No.
129900-32030	18	3
129900-32040	2	17
	18	4
129900-42020	10	1
	18	26
129900-49870	10	31
	18	30
129900-77010	15	1
129900-77330	16	11
129900-77400	15	2
129900-77440	15	5
129900-77450	15	7
		9
129900-77460	15	11
129900-77480	15	8
129900-77510	15	17
129900-77520	15	20
129900-77540	15	18
129900-77550	15	19
129900-77591	15	12
129900-77610	15	23
129900-77620	15	13
129900-77640	15	15
129900-77650	15	14
129900-77700	15	16
129900-77710	15	24
129902-21000	8	1
129906-51580	11	57
129907-01331	1	28
	18	2
129907-01500	2	3
129907-03011	4	52
129907-03061	4	53
129907-03070	4	54
129907-07900	4	1
129907-11100	4	11
129907-11110	4	12
129907-11120	4	13
129907-11250	4	32
129907-11260	4	33
129907-11270	4	34
129907-11341	4	31
129907-11510	4	17
129907-11650	4	36
129907-11660	4	40
129907-11800	4	24
129907-11910	4	27
129907-11920	4	44
129907-11950	4	28
129907-12110	5	1

## PARTS No. INDEX

PARTS No.	Fig.	Ref.No.
129907-12110	18	16
129907-14400	7	2
129907-21580	8	12
129907-21680	8	9
129907-25900	7	16
129907-51560	11	54
129907-59140	14	13
129908-14581	7	3
129916-01710	3	7
129916-01790	3	6
129916-01800	2	35
129916-21610	8	7
129916-49530	10	22
129927-11320	4	51
129927-11700	4	4
129927-12100	5	3
129927-12150	5	2
129927-13100	6	2
129927-13150	6	1
129927-13800	6	9
129927-13810	6	10
	18	20
129927-13900	6	13
129927-13910	6	14
	18	21
129927-13920	6	15
	18	22
129927-22050	8	17
129927-22080	8	15
129927-39060	9	18
129927-44900	10	20
129927-49610	10	43
129927-49620	10	47
129927-49800	10	19
129927-51250	11	136
129927-51390	11	21
129927-51650	11	120
129927-51660	11	121
129927-51670	11	124
129927-53000	13	2
129927-53100	13	6
129927-59550	14	16
129927-59810	13	32
129927-59820	13	33
129927-59830	13	34
129927-59840	13	35
129927-77600	17	11
129927-77680	17	12
129930-13201	6	18
	18	23

PARTS No.	Fig.	Ref.No.
129933-11310	4	60
	18	15
129940-75010	17	1
129948-42100	10	2
129953-25300	7	15
129953-34830	9	2
129953-35000	9	8
129957-59120	14	6
129960-21640	8	8
129961-59110	14	11
129961-59310	14	8
129981-01600	3	2
144626-51090	11	9
158552-51571	11	55
158552-51580	11	58
158552-51670	11	125
158552-51781	11	97
158552-52100	11	127
158552-52310	11	103
158552-52400	11	104
158552-52500	11	128
158553-51670	11	63
158553-51680	11	75
158553-61780	12	23
158557-51570	11	56
158557-61720	12	22
158560-51600	11	68
158560-61050	12	2
158563-51150	7	17
158563-51281	11	19
		20
158563-51330	11	31
158600-51270	11	18
158601-51550	11	53
158601-51650	11	123
158601-51770	11	96
158601-51790	11	98
171008-77450	15	6
171008-77730	15	21
171008-77740	15	22
171008-77750	15	25
171051-01921	1	5
175339-79700	4	62
198461-52950	17	19
729900-02801	1	29
729906-01550	2	33
729927-01560	1	1
729927-22900	8	32
729927-22950	8	34
729927-53100	13	1

PARTS No.	Fig.	Ref.No.
729927-92790	18	1
729940-51470	11	1
977770-1207F	18	35
X2114155110	15	3
X2114255110	15	4
X2130631300	15	10

PARTS No.	Fig.	Ref.No.
-----------	------	---------



***YANMAR CO.,LTD.***